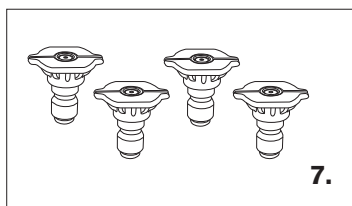
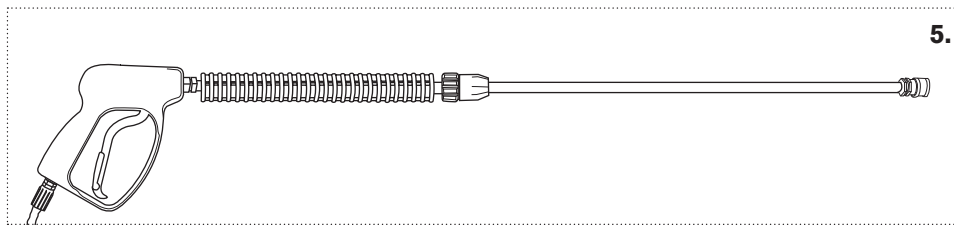
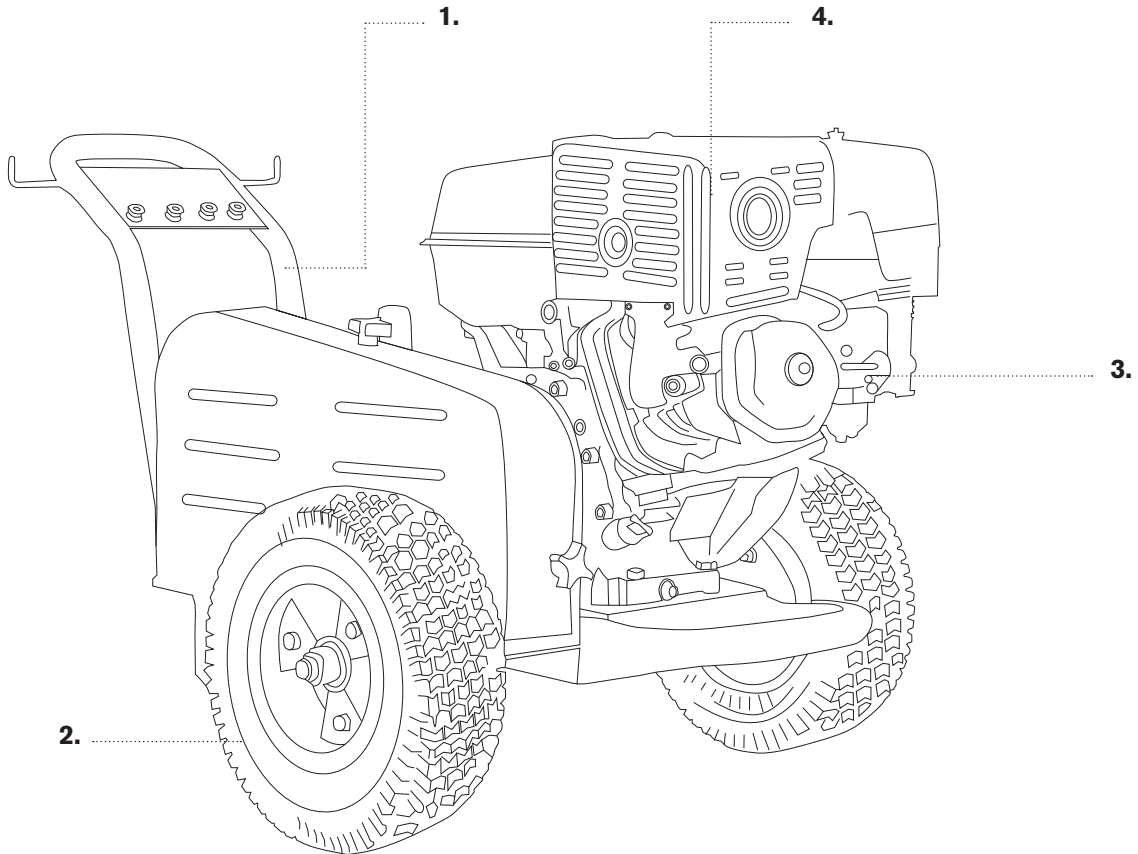


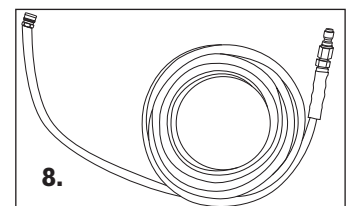


PRESSURE WASHER BREAKDOWN

X-3513HWBCATCD



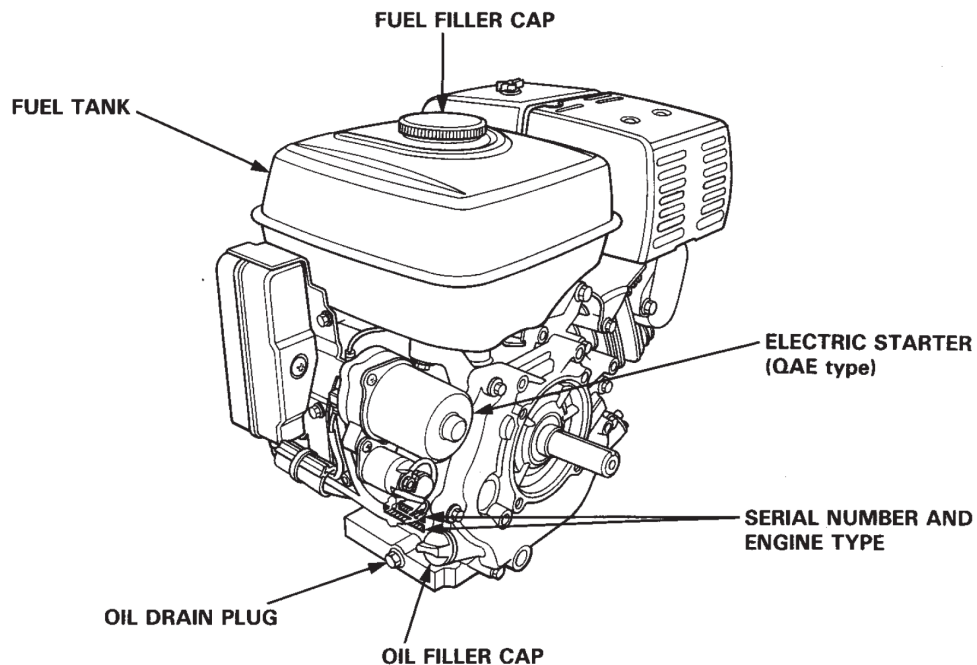
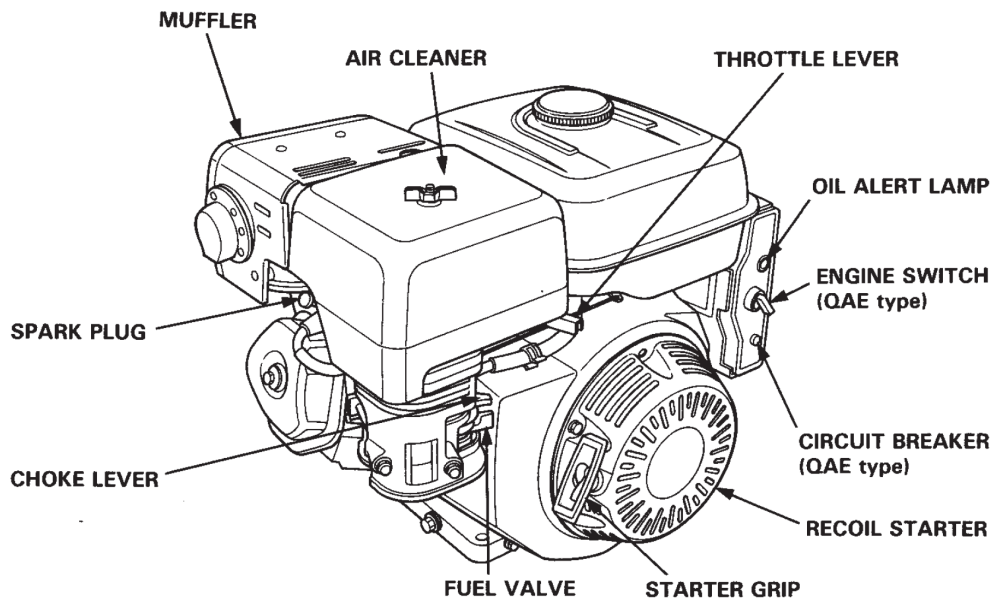
REF #	DESCRIPTION	PART #
1	Frame (included)	85.600.088
2	Wheel	85.660.020F
3	Pump - CAT 5CP3120	85.119.021A
4	Engine - Honda GX390	85.510.131
5	Gun	85.205.055
6	Wand	85.205.056
7	Nozzle Set	85.210.040
8	Hose 50' x 3/8"	85.238.155





PRESSURE WASHER BREAKDOWN

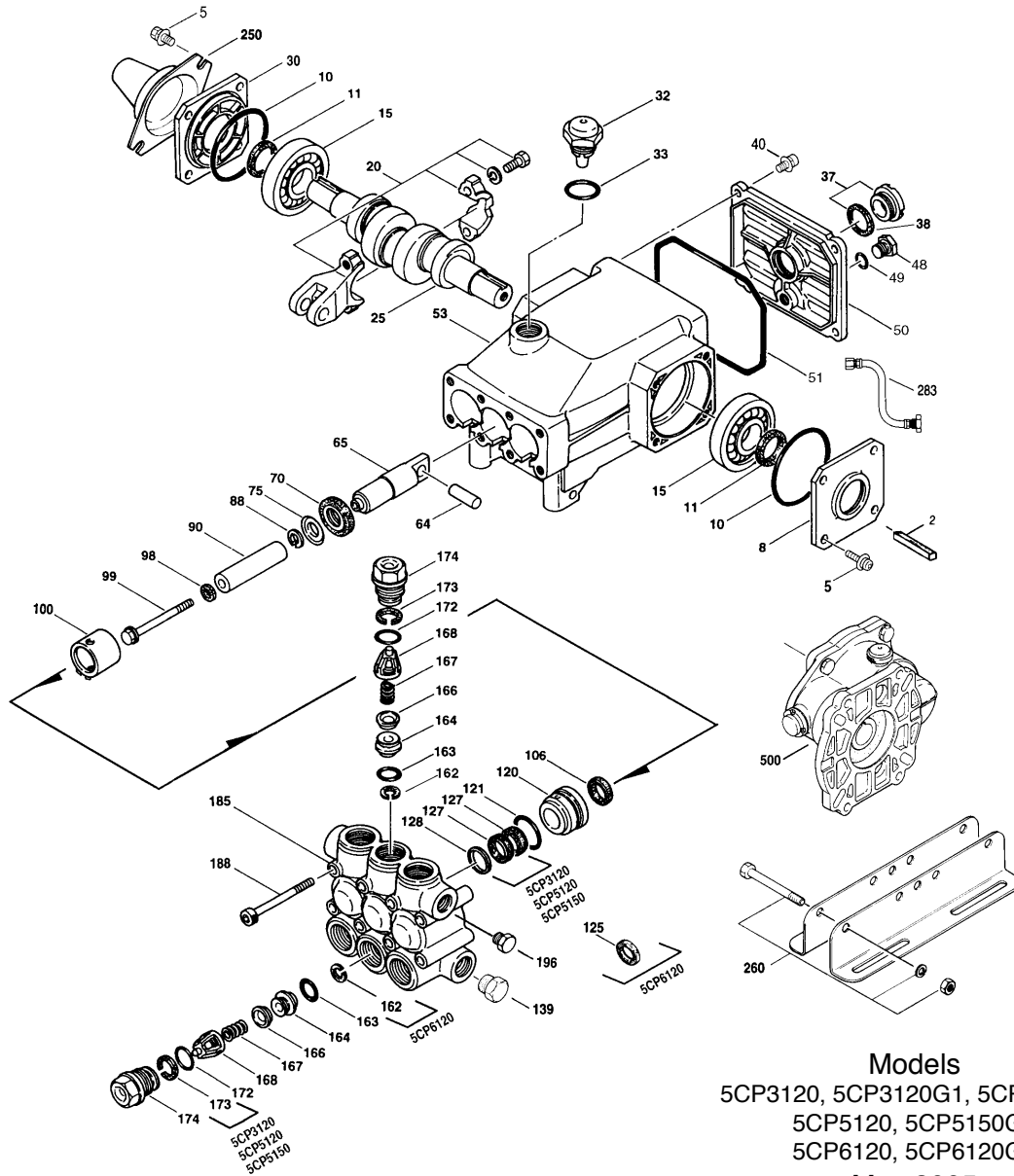
X-3513HWBCATCD





PRESSURE WASHER BREAKDOWN

X-3513HWBCATCD



Models
 5CP3120, 5CP3120G1, 5CP3130G1
 5CP5120, 5CP5150G1
 5CP6120, 5CP6120G1
 May 2005

5CP3120		5CP5120		5CP6120				
5CP3120G1		5CP5150G1		5CP6120G1				
	MATL		MATL		MATL			
283	34334	—	34334	—	34334	—	Kit, Oil Drain	1
299	814843	FBB	814844	FBB	816666	FBB	Head, Complete	1
300	33629	NBR	33630	NBR	33628	NBR	Kit, Seal (Incls: 98,106,121,125,127)	1
	31340	FPM*	31350	FPM	31628	FPM	Kit, Seal (Incls: 98,106,121,125,127)	1
	31665	HT	—	—	31638	HT	Kit, Valve (Incls: 98,106,121,125,127)	1
	31730	EPDM	—	—	—	—	Kit, Seal (Incls: 98,106,121,127)	1
310	33060	NBR	33060	NBR	30820	NBR	Kit, Valve (Incls: 162,163,164,166,167,168,172,173)	2
	31345	FPM	31345	FPM	31263	FPM	Kit, Valve (Incls: 162,163,164,166,167,168,172,173)	2
	31735	EPDM	—	—	—	—	Kit, Valve (Incls: 163,164,166,167,168,172,173)	2
350	30696	STZP	30696	STZP	30696	STZP	Pliers, Reverse	1
400	7665	BB	7665	BB	7665	BB	Modular Unloader (See Individual Data Sheet)	1
500	8076-8077	—	8076-8077	—	8076-8077	—	Gearbox (See Individual Data Sheet)	1
—	6107	—	6107	—	6107	—	Oil, Bottle (21 oz.) ISO 68 Multi-viscosity Hydraulic	1
—	—	—	—	—	—	—	(Fill to specified crankcase capacity prior to start-up)	



PRESSURE WASHER BREAKDOWN

X-3513HWBCATCD

ITEM	5CP3120		5CP5120		5CP6120		DESCRIPTION	QTY
	5CP3120G1	MATL	5CP5120G1	MATL	5CP6120G1	MATL		
2	30057	STL	30057	STL	30057	STL	Key (M6x6x25)	1
5	96031	STZP	96031	STZP	96031	STZP	Screw, Sems HHC (M8x16)	8
8	46910	AL	46910	AL	46910	AL	Cover, Bearing	2/1
10	14028	NBR	14028	NBR	14028	NBR	O-Ring, Bearing Cover - 70D	2
11	43222	NBR	43222	NBR	43222	NBR	Seal, Oil, Crankshaft	2
15	14480	STL	14480	STL	14480	STL	Bearing, Ball	2
20	48742	TNM	48742	TNM	48742	TNM	Rod, Connecting Assy [10/01]	3
25	46928	FCM	46928	FCM	46928	FCM	Crankshaft, Dual End - 3120, 5120, 6120 6120G1	1
	48233	FCM	—	—	—	—	Crankshaft, Single End - 3120G1	1
	48368	FCM	48368	FCM	—	—	Crankshaft, Single End - 3130G1, 5150G1	1
30	48224	AL	48224	AL	—	—	Cover, Bearing Blind	1
32	46798	—	46798	—	46798	—	Cap, Oil Filler, Domed	1
33	14179	NBR	14179	NBR	14179	NBR	O-Ring, Oil Filler Cap - 70D	1
37	92241	—	92241	—	92241	—	Gauge, Oil, Bubble w/Gasket - 80D	1
38	44428	NBR	44428	NBR	44428	NBR	Gasket, Flat, Oil Gauge - 80D	1
40	92519	STZP	92519	STZP	92519	STZP	Screw, Sems HHC (M6x16)	4
48	25625	STCP	25625	STCP	25625	STCP	Plug, Drain (1/4"x19BSP)	1
49	23170	NBR	23170	NBR	23170	NBR	O-Ring, Drain Plug - 70D	1
50	46940	AL	46940	AL	46940	AL	Cover, Rear	1
51	14044	NBR	14044	NBR	14044	NBR	O-Ring, Rear Cover	1
53	48617	AL	48617	AL	48617	AL	Crankcase	1
64	46746	CM	46746	CM	46746	CM	Pin, Crosshead	3
65	48458	BBNP	48458	BBNP	48458	BBNP	Rod, Plunger	3
70	46838	NBR	46838	NBR	46838	NBR	Seal, Oil, Crankcase - 70D	3
75	43900	S	43328	S	43328	S	Slinger, Barrier	3
88	45697	S	45697	S	45697	S	Washer, Keyhole (M18)	3
90	46884	CC	—	—	—	—	Plunger (M16x50)	3
	—	—	46893	CC	—	—	Plunger (M18x50)	3
	—	—	—	—	46841	CC	Plunger (M20x50)	3
98	46730	NBR	46730	NBR	46730	NBR	Washer, Seal - 90D	3
	48394	FPM	48394	FPM	48394	FPM	Washer, Seal - 90D	3
	48432	EPDM	—	—	—	—	Washer, Seal	3
99	48201	SSL	48201	SSL	48201	SSL	Retainer, Plunger w/Stud (M6)	3
100	46749	PVDF	46749	PVDF	46749	PVDF	Retainer, Seal	3
106	43316	NBR	43243	NBR	43305	NBR	Seal, LPS w/S-Spg	3
	106660	FPM	—	—	—	—	Seal, LPS w/S-Spg	3
	—	—	44926	FPM	45153	FPM	Seal, LPS w/SS-Spg	3
	49134	EPDM	—	—	—	—	Seal, LPS w/S-Spg	3
120	46888	BB	46896	BB	46843	BB	Case, Seal (Press-in-style)	3
121	13978	NBR	13978	NBR	13978	NBR	O-Ring, Seal Case - 70D	3
	14329	FPM	14329	FPM	14329	FPM	O-Ring, Seal Case	3
	48904	EPDM	—	—	—	—	O-Ring, Seal Case	3
125	—	—	—	—	43307	SNG	Seal, HPS w/S	3
	—	—	—	—	44936	FPM	Seal, HPS w/SS	3
	—	—	—	—	46667	HT	Seal, HPS w/S	3
127	43319	PTFE	44549	SNG	—	—	V-Packing	6
	46287	HT*	45617	SFG	—	—	V-Packing	6
	—	—	48300	STG	—	—	V-Packing	6
128	46618	NY	45618	BB	—	—	Adapter, Male	3
139	22179	BBCP	22179	BBCP	22179	BBCP	Plug, Inlet (1/2"NPT)	1
162	—	—	—	—	43248	PTFE	Back-up-Ring, Seat	6
163	17547	NBR	17547	NBR	43249	NBR	O-Ring, Seat	6
	11685	FPM	11685	FPM	44383	FPM	O-Ring, Seat	6
	46648	EPDM	—	—	—	—	O-Ring, Seat - 70D	6
164	45790	S	45790	S	43722	S	Seat	6
166	46429	S	46429	S	43721	S	Valve	6
167	43750	S	43750	S	43751	S	Spring	6
168	44565	PVDF	44565	PVDF	44564	PVDF	Retainer, Spring	6
172	17549	NBR	17549	NBR	17617	NBR	O-Ring, Valve Plug	6
	26996	FPM	26996	FPM	11691	FPM	O-Ring, Valve Plug	6
	49133	EPDM	—	—	—	—	O-Ring, Valve Plug	6
173	48365	D	48365	D	—	—	Back-up-Ring, Valve Plug	6
174	45900	BB	45900	BB	118676	BBCP	Plug, Valve	6
185	46886	FBB	46895	FBB	48248	FBB	Manifold, Head	1
188	87872	STZP	87872	STZP	87872	STZP	Screw, HSH (M8x70)	8
196	22187	BBCP	22187	BBCP	22187	BBCP	Plug, Discharge (3/8"NPT)	1
250	118672	STCP	118672	STCP	118672	STCP	Protector, Shaft	1
255	30243	STZP	30243	STZP	30243	STZP	Mount, Direct	1
260	30611	STZP	30611	STZP	30611	STZP	Assembly, Angle Rail - B (Incls: 28499, 30900, 30910, 30920) (Belt Drive Only)	1
	30637	STZP	30637	STZP	30637	STZP	Mount, Angle Assy-Retro Fit	1
265	30659	—	30659	—	30659	—	Kit, Complete Mounting (Incls: 30611, 30633, 118672) (Belt Drive Only)	1
275	30944	STL	30944	STL	30944	STL	Hub & Key Assy (M20 w/M6 Keyway) [See Drive Packages, Tech Bulletin 003]	1