

# BE

## PRESSURE WASHER BREAKDOWN PE-4013HWPSCOMZ

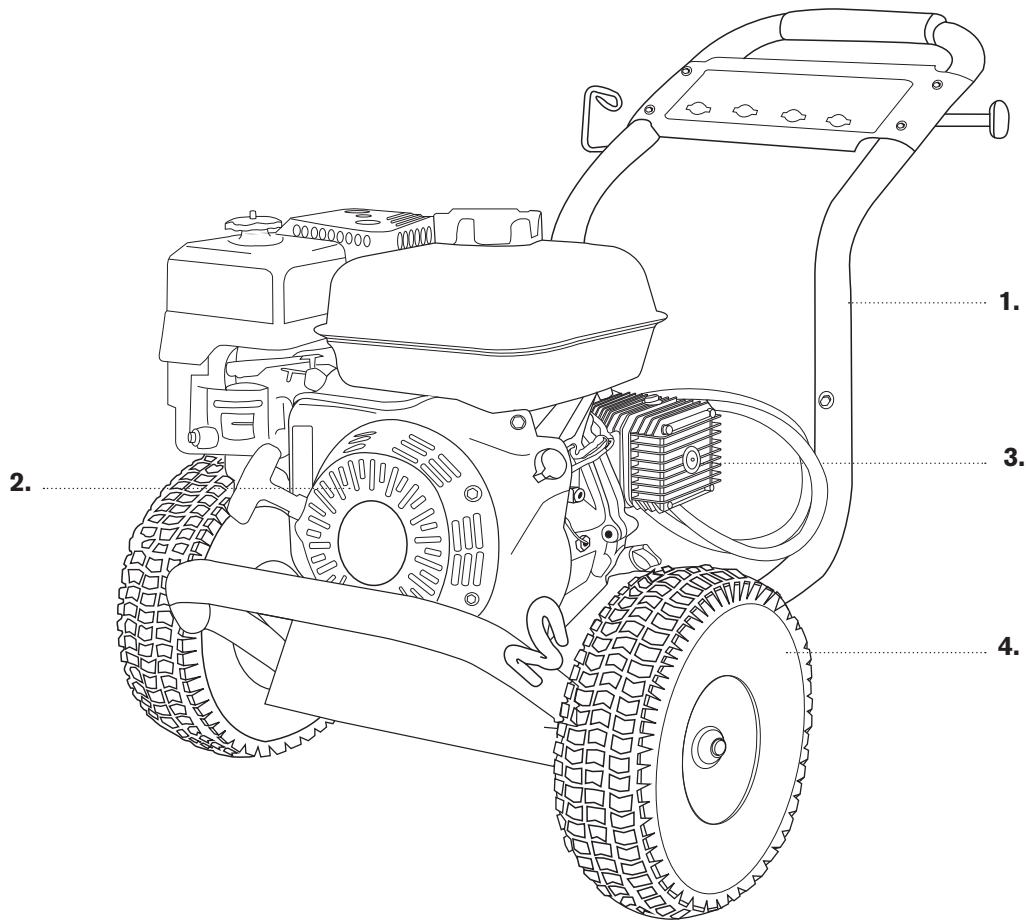
---



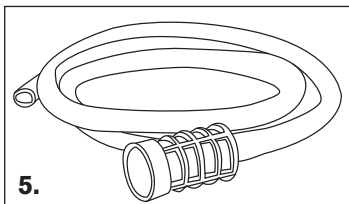


# PRESSURE WASHER BREAKDOWN

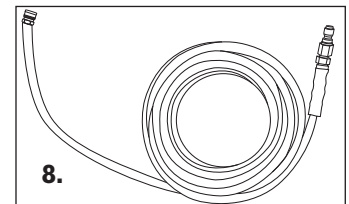
## PE-4013HWPSCOMZ



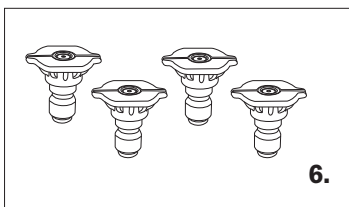
| REF # | DESCRIPTION           | PART #       |
|-------|-----------------------|--------------|
| 1     | Frame (included)      | 85.600.007NG |
| 2     | Engine - Honda GX390  | 85.510.131   |
| 3     | Pump - COMET ZWD4040G | 85.149.022B  |
| 4     | Wheel                 | 85.660.036   |
| 5     | Soap Hose             | 85.400.005   |
| 6     | Nozzle Set            | 85.210.035   |
| 7     | Gun Wand              | 85.205.026   |
| 8     | Hose 50' x 3/8"       | 85.238.153   |



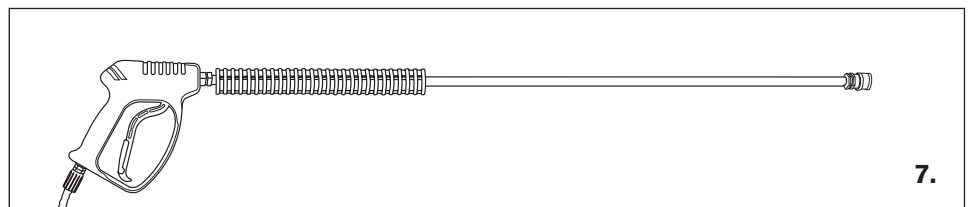
5.



8.



6.

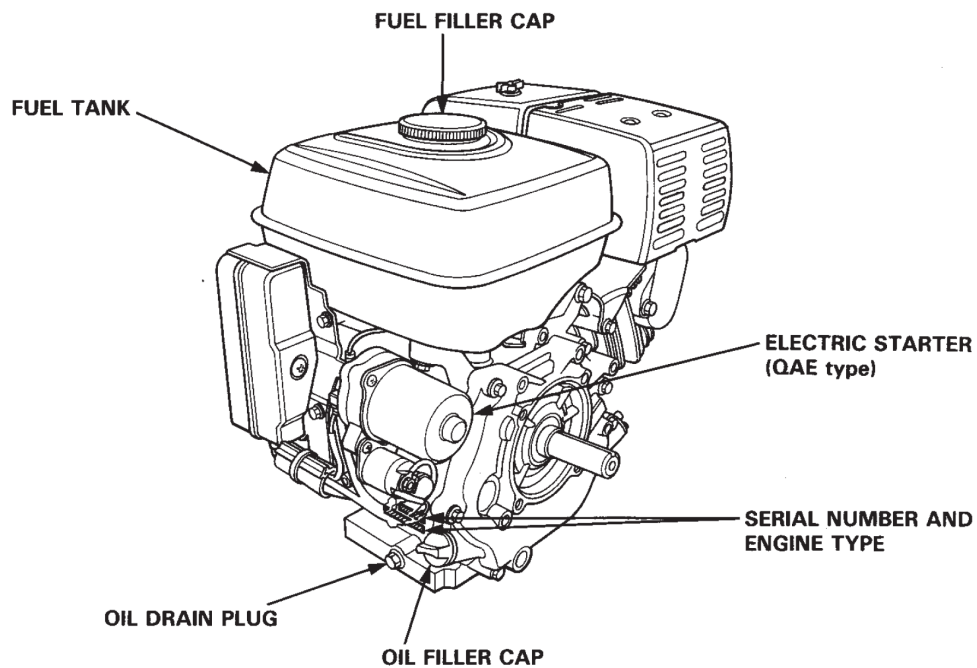
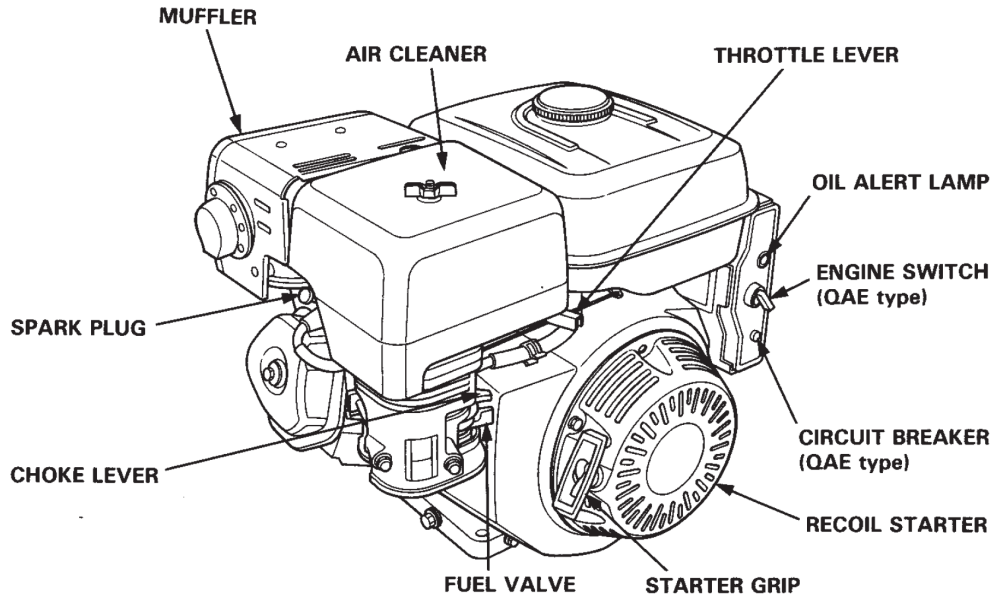


7.



# PRESSURE WASHER BREAKDOWN

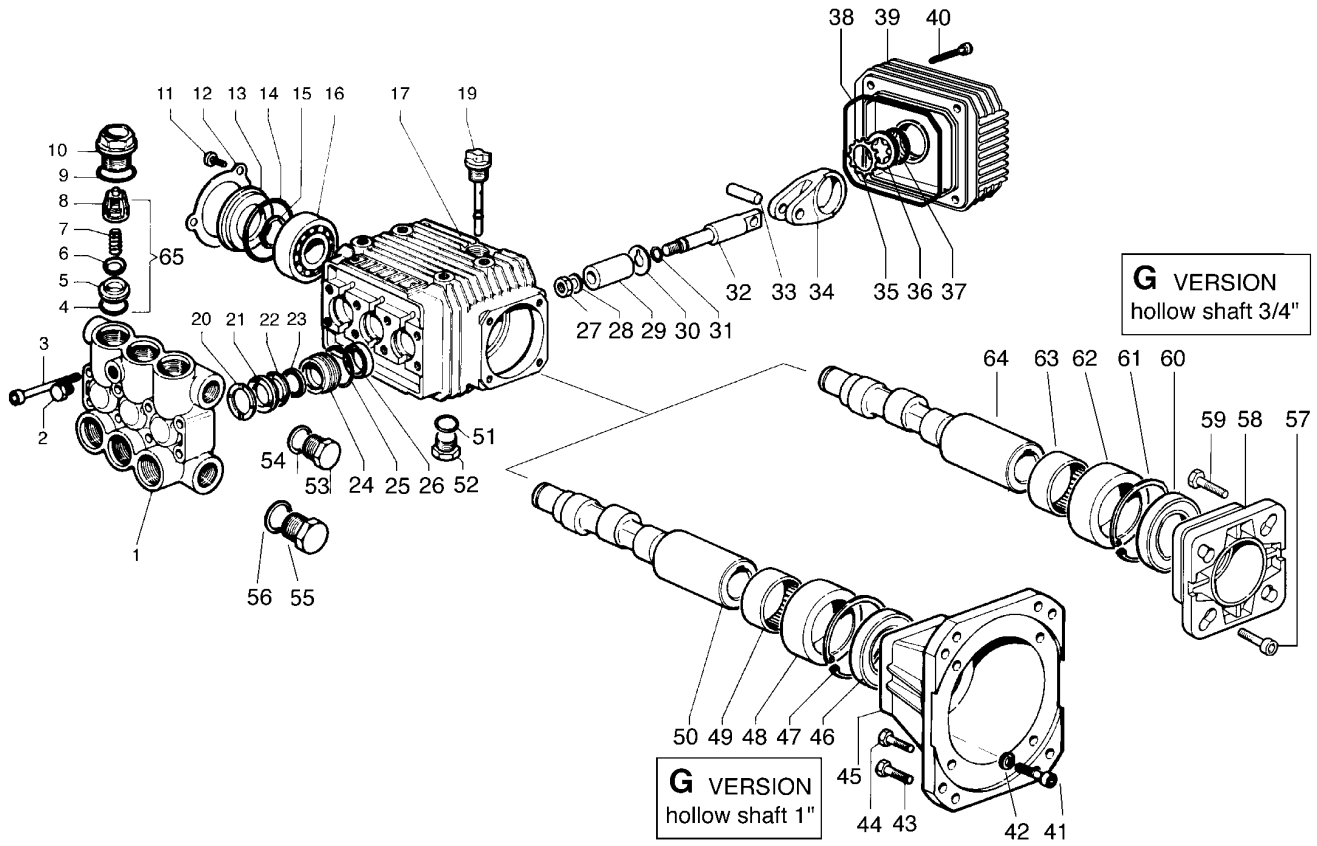
PE-4013HWPSCOMZ





# PRESSURE WASHER BREAKDOWN

## PE-4013HWPSCOMZ



| POS. ITEM | CODICE PART No. | KIT KIT | DESCRIZIONE DESCRIPTION  | Q.tà Qty. | MODELLI MODELS  |
|-----------|-----------------|---------|--------------------------|-----------|---|
| 1         | 3218.0126.00    |         | MANIFOLD Ø 15 BRASS      | 1         | 2530 G - 3030 G<br>3522 G - 3525 G<br>3530 G - 4020 G<br>4030 G |
|           | 3218.0127.00    |         | MANIFOLD Ø 15 BRASS      | 1         | 3540 G - 4040 G   |
| 2         | 3202.0018.00    |         | CAP G1/8                 | 1         |   |
| 3         | 3609.0152.00    |         | SCREW M6X55              | 8         | 2530 G - 3030 G<br>3522 G - 3525 G<br>3530 G - 4020 G<br>4030 G |
|           | 3609.0156.00    |         | SCREW M8X55              | 8         | 3540 G - 4040 G   |
|           | 1210.0046.00    | A-D     | O-RING 2,62X 17,13 mm    | 6         |   |
| 5         | 3009.0087.00    | A       | VALVE SEAT               | 6         |   |
| 6         | 3604.0017.00    | A       | VALVE PLATE              | 6         |   |
| 7         | 1802.0177.00    | A       | SPRING                   | 6         |   |
| 8         | 1205.0025.00    | A       | VALVE GUIDE              | 6         |   |
| 9         | 1210.0048.00    | A-D     | O-RING 2,62X 20,24 mm    | 6         |   |
| 10        | 3202.0239.00    |         | CAP                      | 6         |   |
| 11        | 3609.0088.00    |         | SCREW M5X10              | 3         |   |
| 12        | 1004.0012.00    |         | CRANKCASE COVER          | 1         |   |
| 13        | 0402.0172.00    |         | SPACER                   | 1         |   |
| 14        | 1210.0386.00    | D       | O-RING 3,53X44,04 mm     | 1         |   |
| 15        | 3019.0011.00    |         | SNAP RING                | 1         |   |
| 16        | 0438.0069.00    |         | BALL BEARING 20X52X15 mm | 1         |   |
| 17        | 0403.0128.00    |         | CRANKCASE                | 1         | 2530 G - 3030 G<br>3522 G - 3525 G<br>3530 G - 4020 G<br>4030 G |
|           | 0403.0141.00    |         | CRANKCASE                | 1         | 3540 G - 4040 G   |
|           | 3200.0051.00    |         | OIL DIPSTICK             | 1         |   |

| POS. ITEM | CODICE PART No. | KIT KIT | DESCRIZIONE DESCRIPTION | Q.tà Qty. | MODELLI MODELS |
|-----------|-----------------|---------|-------------------------|-----------|----------------|
| 20        | 0009.0196.00    | B       | HEAD RING Ø15 mm        | 3         |                |
| 21        | 1241.0034.00    | B       | PACKING Ø15 mm          | 3         |                |
| 22        | 0009.0223.00    | B       | RING Ø 15 mm            | 3         |                |
| 23        | 1241.0030.00    | B       | PACKING 15X22X5,5 mm    | 3         |                |
| 24        | 0009.0222.00    |         | RING Ø15 mm             | 3         |                |
| 25        | 1210.0223.00    | B       | O-RING 1,78X26,7 mm     | 3         |                |
| 26        | 0019.0095.00    | D       | OIL SEAL15X24X5 mm      | 3         |                |
| 27        | 0600.0048.00    | C       | NUT                     | 3         |                |
| 28        | 2811.0080.00    | C       | WASHER 8,2X14X1,5 mm    | 3         |                |
| 29        | 0202.0020.00    | C       | PISTON Ø15 mm           | 3         |                |
| 30        | 2812.0038.00    | C       | WASHER                  | 3         |                |
| 31        | 1210.0055.00    | C-D     | O-RING 1,78X 6,07 mm    | 3         |                |
| 32        | 2409.0044.00    |         | PISTON GUIDES           | 3         |                |
| 33        | 3011.0014.00    |         | WRIST. PIN              | 3         |                |
| 34        | 0205.0050.00    |         | CON. ROD                | 3         |                |
| 35        | 3019.0033.00    |         | SNAP RING Ø18 mm        | 1         |                |
| 36        | 3201.0012.00    |         | OIL INDICATOR           | 1         |                |
| 37        | 1210.0333.00    | D       | O-RING 1,78X23,52 mm    | 1         |                |
| 38        | 1210.0206.00    | D       | O-RING 2,62X101,27 mm   | 1         |                |
| 39        | 0402.0220.00    |         | CRANKCASE COVER         | 1         |                |
| 40        | 3609.0041.00    |         | SCREW M6X25             | 4         |                |
| 51        | 1210.0441.00    | D       | O-RING2X14 mm           | 1         |                |
| 52        | 3200.0007.00    |         | CAP 3/8 GAS OT 58       | 1         |                |
| 53        | 3200.0007.00    |         | CAP 3/8 GAS OT 58       | 1         |                |
| 54        | 2811.0084.00    |         | WASHER 16,7x22x1,5 mm   | 1         |                |
| 55        | 3202.0015.00    |         | CAP G 1/2               | 1         |                |
| 56        | 2811.0086.00    |         | WASHER 21,2X27X1,5 mm   | 1         |                |
| 65        | 1220.0030.00    |         | VALVE ASS. BLY.         | 6         |                |



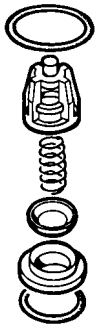
# PRESSURE WASHER BREAKDOWN PE-4013HWPSCOMZ

| POS. ITEM | CODICE PART No. | KIT KIT | DESCRIZIONE DESCRIPTION | Q.tà Qty. | MODELLI MODELS                     |
|-----------|-----------------|---------|-------------------------|-----------|------------------------------------|
| 41        | 3609.0032.00    |         | SCREW M6X20             | 4         |                                    |
| 42        | 2811.0023.00    |         | WASHER 6,6X18X2 mm      | 4         |                                    |
| 43        | 3607.0168.00    |         | SCREW 3/8" 16x1"        | 4         |                                    |
| 44        | 3607.0119.00    |         | SCREW 5/16" 24x 1"      | 4         |                                    |
| 45        | 3016.0023.00    |         | FLANGE 1"               | 1         |                                    |
| 46        | 0019.0102.00    | D       | OIL SEAL 40X62X7 mm     | 1         |                                    |
| 47        | 3020.0012.00    |         | SNAP RING C 72          | 1         |                                    |
| 48        | 0204.0038.00    |         | BUSHING                 | 1         |                                    |
| 49        | 0437.0045.00    |         | ROLLER 40X47X16 mm      | 1         |                                    |
| 50        | 0001.0386.00    |         | CRANKSHAFT 1"           | 1         | 3522 G - 3525 G<br>3530 G - 3540 G |
|           | 0001.0387.00    |         | CRANKSHAFT 1"           | 1         | 4020 G - 4030 G<br>4040 G          |
|           | 0001.0398.00    |         | CRANKSHAFT 1"           | 1         | 3030 G                             |

| POS. ITEM | CODICE PART No. | KIT KIT | DESCRIZIONE DESCRIPTION | Q.tà Qty. | MODELLI MODELS |
|-----------|-----------------|---------|-------------------------|-----------|----------------|
| 57        | 3609.0032.00    |         | SCREW M6X20             | 4         |                |
| 58        | 3016.0012.00    |         | FLANGE 3/4"             | 1         |                |
| 59        | 3607.0199.00    |         | SCREW 5/16" 24X3/4"     | 4         |                |
| 60        | 0019.0102.00    | D       | OIL SEAL 40X62X7 mm     | 1         |                |
| 61        | 3020.0012.00    |         | SNAP RING C 72          | 1         |                |
| 62        | 0204.0038.00    |         | BUSHING                 | 1         |                |
| 63        | 0437.0045.00    |         | ROLLER 40X47X16 mm      | 1         |                |
| 64        | 0001.0399.00    |         | CRANKSHAFT 3/4"         | 1         |                |

**KIT VALVOLA ASP-MAND.**  
**COMPLETE VALVE KIT**  
5025.0011.00

**KIT A**

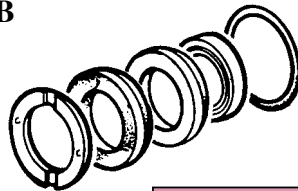


5025.0011.00

| POS. ITEM | CODICE PART No. | Q.tà Qty. |
|-----------|-----------------|-----------|
| 4         | 1210.0046.00    | 6         |
| 5         | 3009.0087.00    | 6         |
| 6         | 3604.0017.00    | 6         |
| 7         | 1802.0177.00    | 6         |
| 8         | 1205.0025.00    | 6         |
| 9         | 1210.0048.00    | 6         |

**KIT GUARNIZIONI PISTONE / PISTON SEAL KIT**  
Ø 15 mm 5019.0064.00

**KIT B**

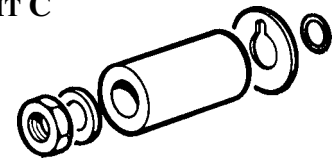


5019.0064.00

| POS. ITEM | CODICE PART No. | Q.tà Qty. |
|-----------|-----------------|-----------|
| 20        | 0009.0196.00    | 3         |
| 21        | 1241.0034.00    | 3         |
| 22        | 0009.0223.00    | 3         |
| 23        | 1241.0030.00    | 3         |
| 25        | 1210.0223.00    | 3         |

**KIT PISTONE / PISTON KIT**  
Ø 15 mm 2409.0071.00

**KIT C**

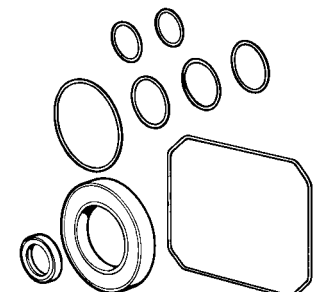


2409.0071.00

| POS. ITEM | CODICE PART No. | Q.tà Qty. |
|-----------|-----------------|-----------|
| 27        | 0600.0048.00    | 3         |
| 28        | 2811.0080.00    | 3         |
| 29        | 0202.0020.00    | 3         |
| 30        | 2812.0038.00    | 3         |
| 31        | 1210.0055.00    | 3         |

**KIT GUARNIZIONI POMPA / SEAL KIT**  
**ALBERO FEMMINA / HOLLOW SHAFT** 5019.0065.00

**KIT D**



5019.0065.00

| POS. ITEM | CODICE PART No. | Q.tà Qty. |
|-----------|-----------------|-----------|
| 4         | 1210.0046.00    | 6         |
| 9         | 1210.0048.00    | 6         |
| 14        | 1210.0386.00    | 1         |
| 25        | 1210.0223.00    | 3         |
| 26        | 0019.0095.00    | 3         |
| 31        | 1210.0055.00    | 3         |
| 37        | 1210.0333.00    | 1         |
| 38        | 1210.0206.00    | 1         |
| 46-60     | 0019.0102.00    | 1         |
| 51        | 1210.0441.00    | 1         |