

# BE

## ELECTRIC PRESSURE WASHER



P1615EN

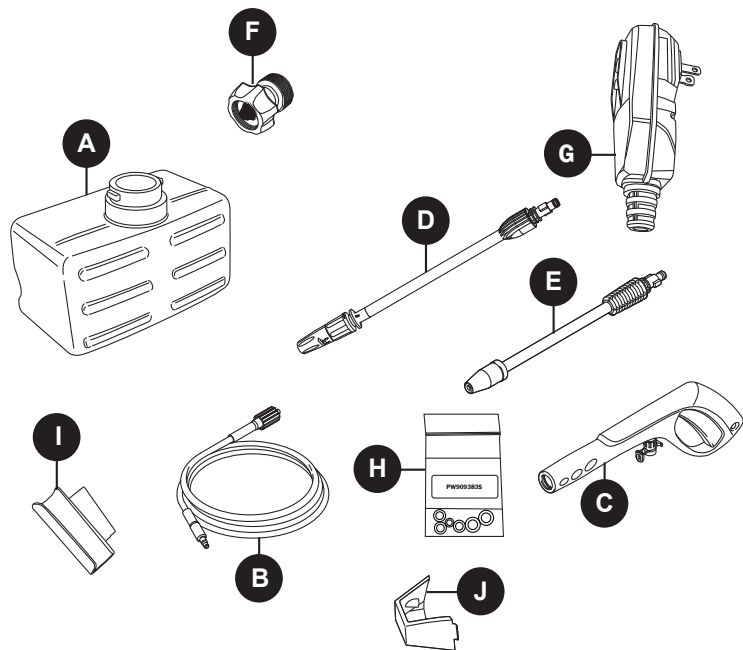
Operation Manual

93499-FL

**BEPOWEREQUIPMENT**

**.COM**

## REPLACEMENT PARTS LIST



| PART | DESCRIPTION             | PART #    |
|------|-------------------------|-----------|
| A    | Detergent Tank (28 oz.) | PW4220020 |
| B    | Soft PVC Hose           | PW4221520 |
| C    | Spray Gun               | PW3084633 |
| D    | High/Low Nozzle Lance   | PW4220013 |
| E    | Turbo Nozzle Lance      | PW50976   |
| F    | Garden Hose Adapter     | PW4221570 |
| G    | GFCI Assembly           | PW4221160 |
| H    | O-Ring Kit              | PW909383S |
| I    | Gun Holster             | PW4220040 |
| J    | Nozzle Tray             | PW4220050 |