



PRESSURE WASHER BREAKDOWN

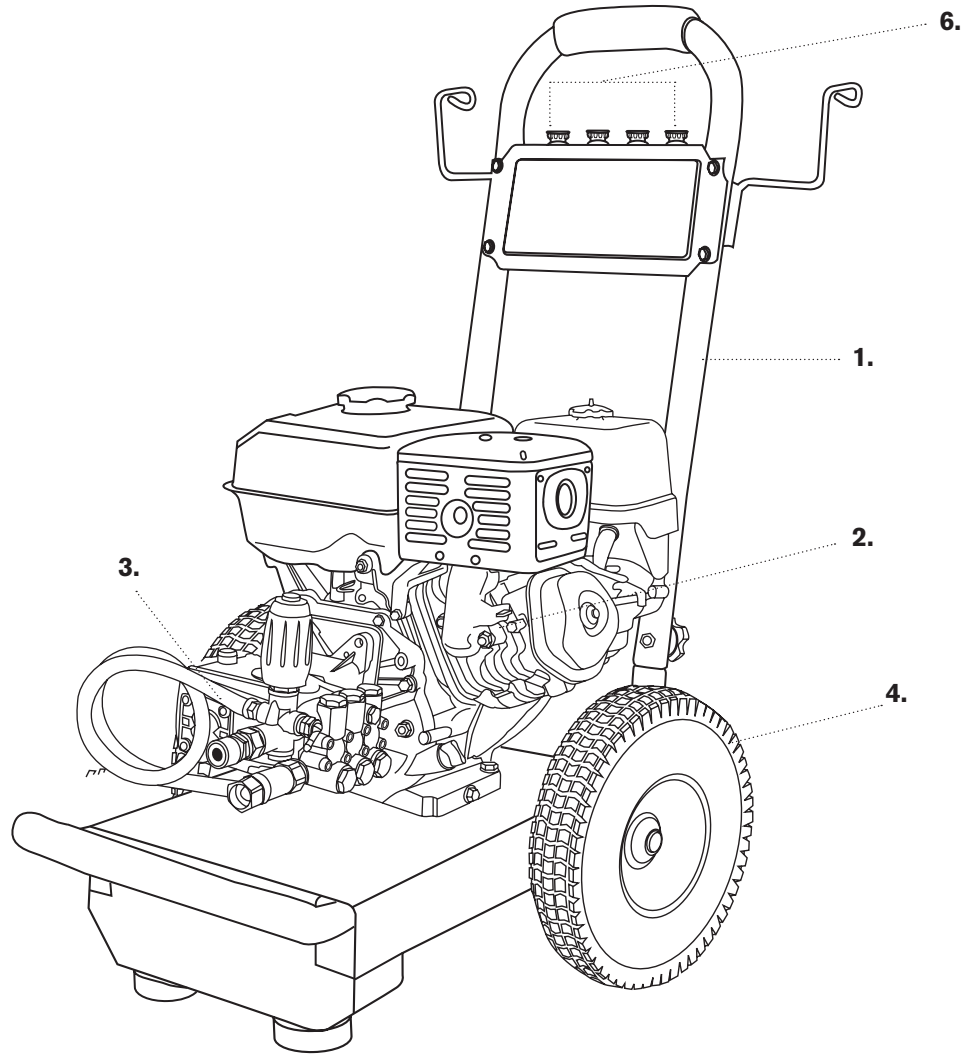
B389HA



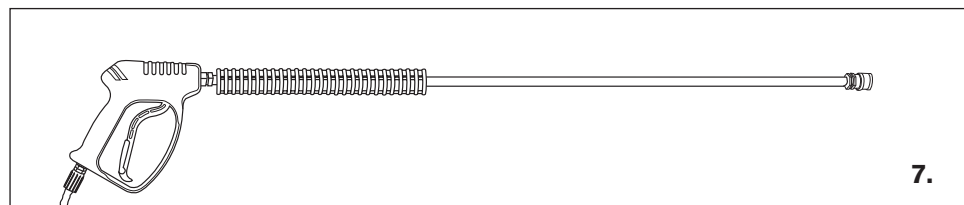
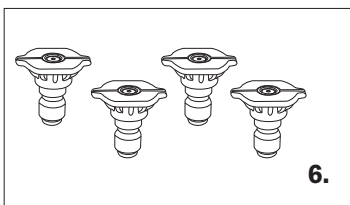
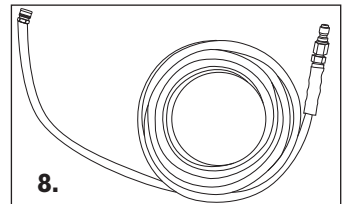
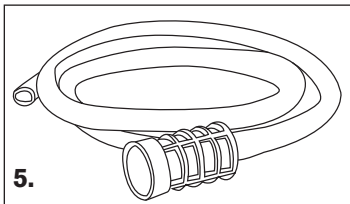


PRESSURE WASHER BREAKDOWN

B389HA



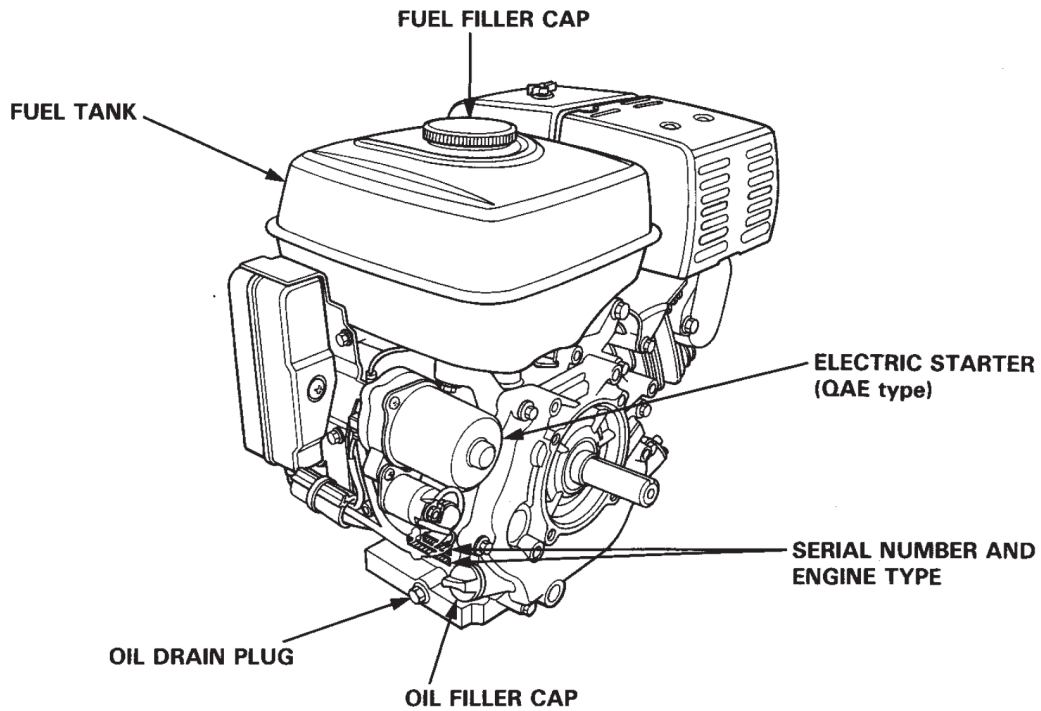
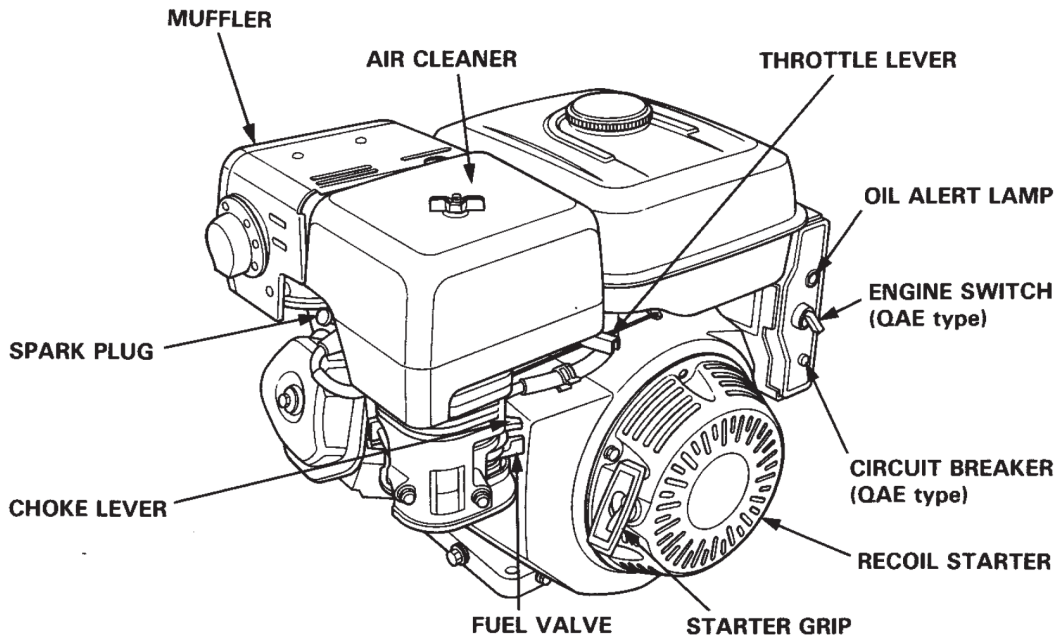
REF #	DESCRIPTION	PART #
1	Frame	85.600.125
2	Engine - Honda GX270	Not For Resale
3	Pump - RSV3G38D	85.129.046
4	Wheels	85.660.050BFS
5	Soap Hose	85.400.005
6	Nozzle Set	85.210.035
7	Gun with Assembly	85.205.026
8	Hose 50' x 3/8"	85.238.153





PRESSURE WASHER BREAKDOWN

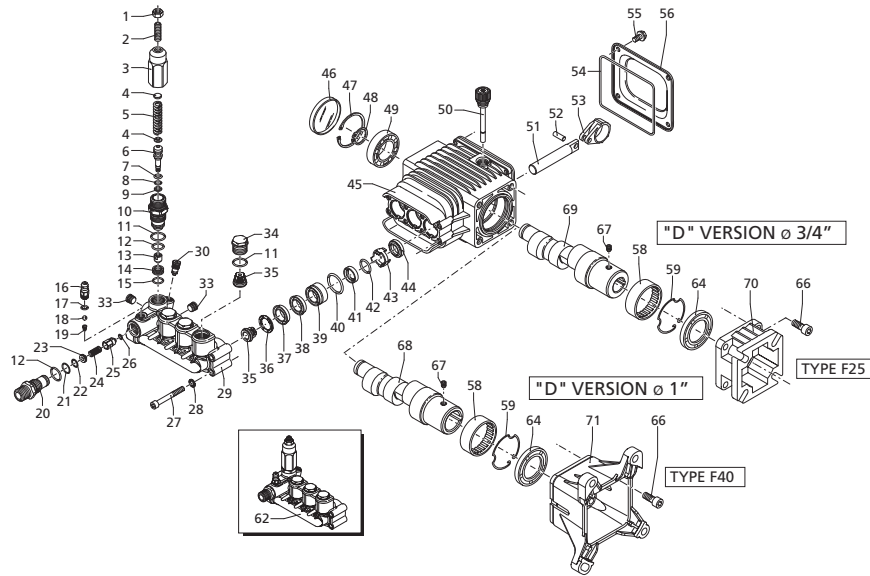
B389HA



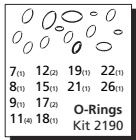
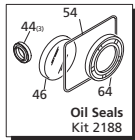
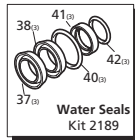


PRESSURE WASHER BREAKDOWN

B389HA



Repair Kits



Pos	Code	Description	Qty.	Pos	Code	Description	Qty.	Pos	Code	Description	Qty.
1	1980300	Nut M6	1	39	1981570	Piston guide	3		AR64516	Oil	1
2	2760420	Grub screw M6x12	1	40	770260	O-Ring ø23.52x1.78	3			<i>OIL CAPACITY - 16 oz</i>	
3	1980540	Unloader knob	1	41	1260440	Gasket	3	Special Parts / Kits			
4	1980220	Spring plate	2	42	640070	O-Ring ø13.95x2.62	3	Code	Description	Qty.	
5	2760410	Spring	1	43	2760310	Spacer	3	42304	EZ Start assembly	1	
6	2760400	Valve piston	1	44	1260460	Oil seal	3	2186	Valve kit - up to 3200 PSI	1	
7	2260100	O-Ring ø6.02x2.62	1	45	2760010	Pump body	1	42302	Valve kit - above 3200 PSI	1	
8	660190	O-Ring ø6.07x1.78	1	46	1266740	Bearing cap	1	2280	Unloader kit up to 3200 PSI		
9	2760210	Ring	1	47	1260790	Circlip øi52	1		no knob with seat	1	
10	2760050	Piston guide	1	48	1780550	Snap ring	1	42369	Unloader kit above 3200 PSI		
11	1200690	O-Ring ø15.6x1.78	4	49	2760340	Bearing	1		no knob with seat	1	
12	394280	O-Ring ø12.42x1.78	2	50	1780490	Bearing	1	42128	Unloader kit above 3200 PSI		
13	2260070	By-pass jet	1	51	880130	Oil cap	1		with knob without seat	1	
14	2760090	Seat	1	52	2760040	Piston	3	42129	Unloader kit above 3200 PSI		
15	770140	O-Ring ø11.11x1.78	1	53	1780050	Piston pin	3		with knob with seat	1	
16	1982520	Hose nipple	1	54	1780040	Con rod Aluminum	1	42527	Complete manifold with EZ start	1	
18	1250280	Ball	1	55	1780710	Con rod Bronze	3	2769201	Complete manifold non EZ start	1	
19	1560520	Spring	1	56	2760280	O-Ring ø101.27x2.62	1	2761050	Bare manifolds with EZ start	1	
20	2760230	Detergent injector 3/8" G	1	57	802190	Bolt M6x12	4	2760330	Bare manifolds non EZ start	1	
21	2760270	O-Ring ø12x1	1	58	2760110	Rear cover	1				
22	1470210	O-Ring ø9x1	1	59	2760350	Bearing	1				
23	2760120	Injector insert	1	60	1321190	Bearing	1				
24	2760200	Spring	1	61	1321080	Snap ring	1				
25	2760130	Jet	1	62	2769201	Complete pump head w/o EZ start	1				
26	1460430	O-Ring ø4x2.5	1	62	2769209	Complete pump head EZ-start	1				
27	801080	Bolt M6x50	(92 in/lbs) 8	64	480671	Oil seal	1				
28	1381550	Lockwasher	8	66	180030	Bolt M8x20	4				
29	2760020	Head - w/o EZ-start	1	67	820440	Set screw M6	1				
	2761050	Head - Bare EZ-start	1	68	1780340	Hollow shaft ø1"	1				
	2760330	Head - Bare w/o EZ-start	1	69	1780920	Hollow shaft ø1"	1				
30	2760630	EZ-start plug	1		1780330	Hollow shaft ø1"	1				
33	2760260	Plug 1/4" G	2		1780590	Hollow shaft ø3/4"	3GPM #9 1				
34	2760180	Plug	(442 in/lbs) 3		1780600	Hollow shaft ø3/4"	2.5GPM #10 1				
35	2769050	Complete valve	6	70	1780580	Flange F25	1				
36	2760220	Support ring	3	71	2760290	Flange F40	1				
37	1342761	Gasket	3								
38	1981580	Ring	1								

Legend			
ø 15	For ▽	For □	For ▽
For ▽	RSV2.5G25	For □	RSV3G25
For ○	RSV3G30	For ▽	RSV3.5G35
For ●	RSV3G34	For □	RSV4G30
For ●	RSV3G35	For ▽	RSV4G35
		For □	RSV4G40