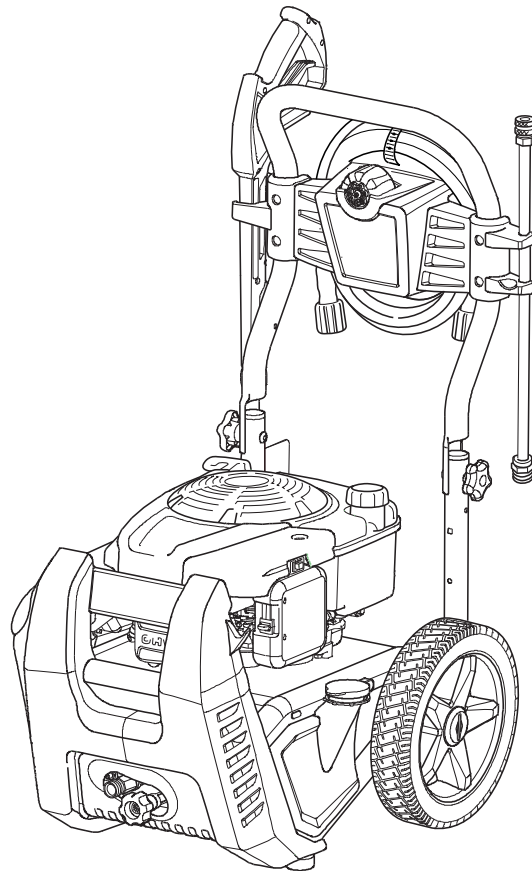




# *Illustrated Parts List*

## *Pressure Washer / Lavadora de Presión*



This pressure washer is rated in accordance to the Pressure Washer Manufacture Association (PWMA) Standard PW101 (Testing and Rating Performance of Pressure Washers).

Questions? Help is just a moment away!  
Preguntas? La ayuda es justa un momento lejos!  
Call: Pressure Washer Helpline

Llame: Línea Directa del Lavadora a Presión - 1-800-743-4115 M-F 8-5 CT

### **Model / Modelo**

<b>Mfg. No.</b>	<b>Description / Descripción</b>
020632-00	3,000 PSI Briggs & Stratton

**Manual Part No.** 1759873

Revision -

Rev. Date: 6/24/2015

Not for  
Reproduction

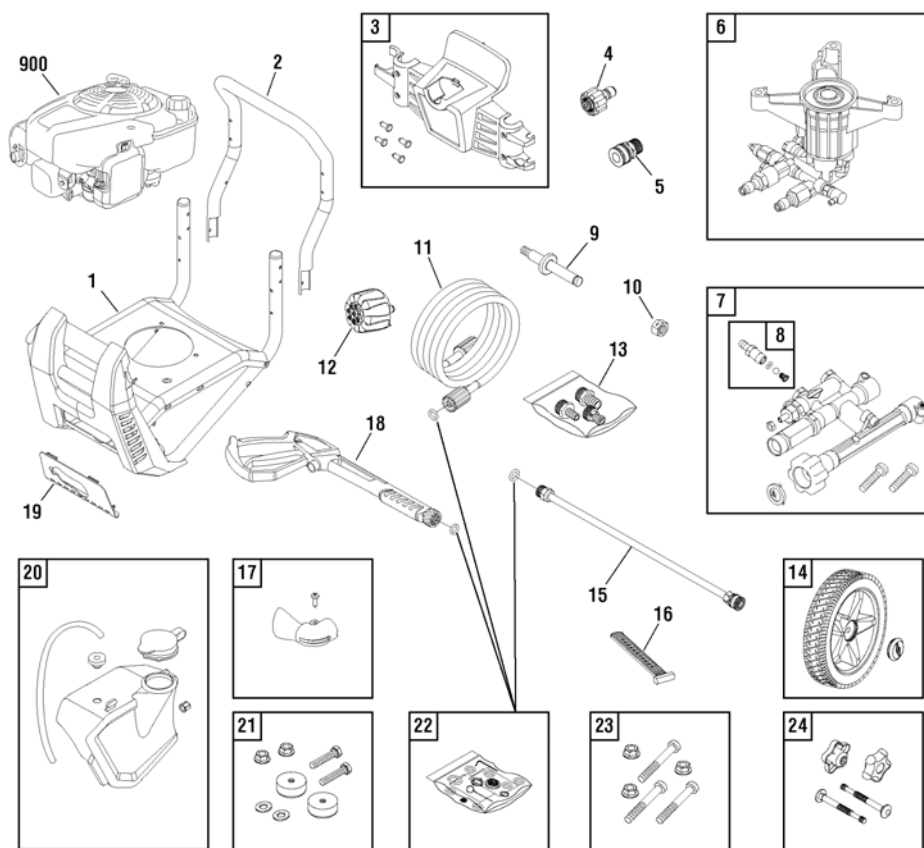
<b>PRODUCT COMPONENTS</b>	<b>PAGES</b>
Main Unit .....	4
Pump .....	6
<b>Torque Specification Chart .....</b>	<b>Inside Back Cover</b>

Not for  
Reproduction

## Main Unit

80014973

**NOTE:** Unless noted otherwise,  
use the standard hardware torque  
specification chart.



REF.	PART NO.	DESCRIPTION	REF.	PART NO.	DESCRIPTION
1	705835	BASE	--	192014GS	FITTING-1/2
2	705844	HANDLE	--	192015GS	FITTING-3/4
3	707866	BILLBOARD	--	95456GS	QUICK CONNECT
--	B1797GS	CLIP	14	705836	WHEEL
4	95519GS	QUICK CONNECT	--	705847	HUBCAP
5	95518GS	QUICK CONNECT	15	707863	EXTENSION-QC
6	707496	PUMP	16	705846	STRAP
--	208673GS	VALVE-THERMAL RELIEF	17	705856	DEFLECTOR-EXHAUST
7	707867	POWERFLOW	18	707869	GUN
--	705969	NUT	19	705839	PANEL-FRONT
--	705971	FILTER-GARDEN HOSE	20	705841	TANK-CHEMICAL
8	707868	CHEM INJECT	--	705840	DRAIN
9	315134GS	AXLE	--	705871	BUSHING
10	703347	NUT-AXLE	--	705849	CAP
11	707870	HOSE	--	705850	HOSE-CHEMICAL
12	317402GS	NOZZLE	21	192310GS	MOUNT-VIBRATION
13	706878	KIT-GARDEN HOSE			

### Footnotes

\*Contact Engine Manufacturer for parts and service.

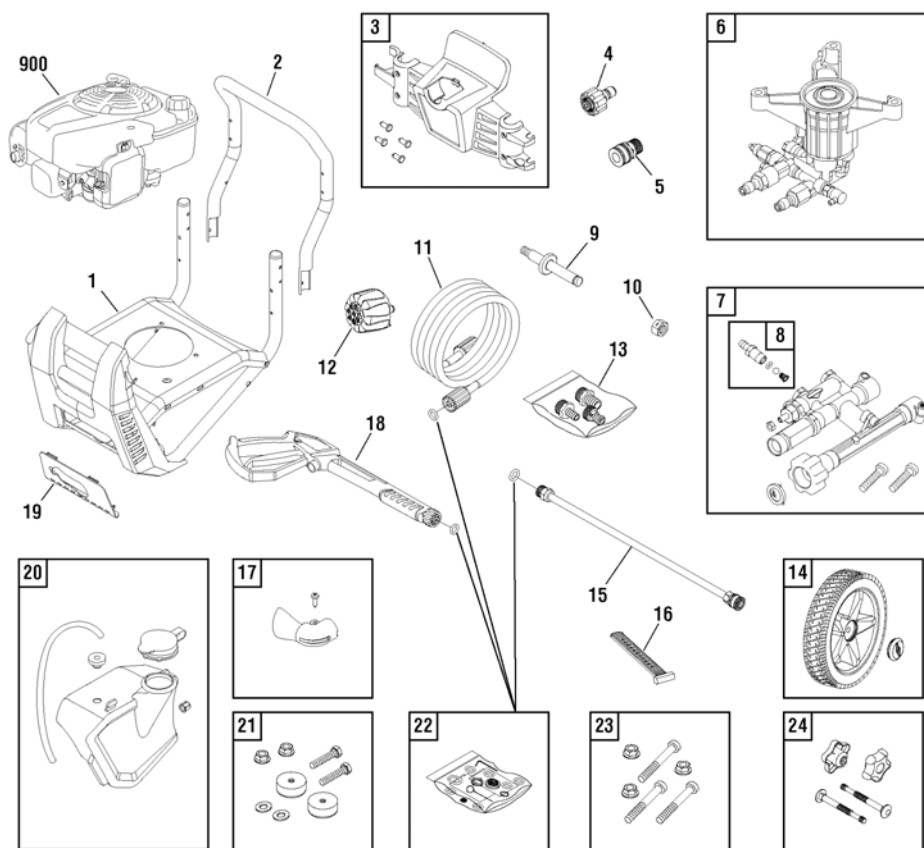
The above parts group applies to the following Mfg. Nos.:

**020632-00 - 3,000 PSI Briggs & Stratton**

## Main Unit

80014973

**NOTE:** Unless noted otherwise,  
use the standard hardware torque  
specification chart.



REF.	PART NO.	DESCRIPTION	REF.	PART NO.	DESCRIPTION
22	705002	KIT-O-RING			
23	315139GS	KIT-HARDWARE PUMP MOUNTING			
24	705848	KIT-HARDWARE HANDLE			
900	----	* ENGINE			
--	23139GS	KEY (Not Illustrated)			
--	704293	E-RING (Not Illustrated)			
--	707871	DECAL-CHEM WARNING (Not Illustrated)			
--	706882	DECAL-HOT SURFACE (Not Illustrated)			
--	189332GS	PLUG-HOLE (Not Illustrated)			
--	707872	DECAL-WARNING (Not Illustrated)			
--	706602	TAG-HANG, WARNING (Not Illustrated)			
--	6039	PUMP SAVER (Optional Accessory - Not Included)			
--	593483	SPARK ARRESTER (Optional Accessory - Not Included)			

### Footnotes

\*Contact Engine Manufacturer for parts and service.

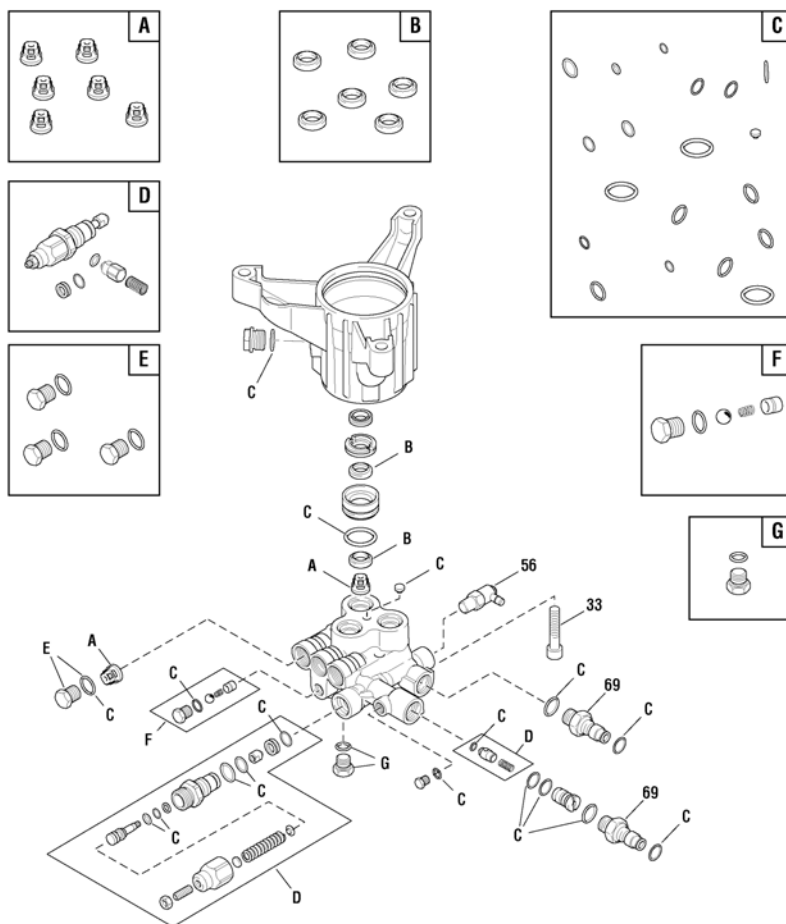
**The above parts group applies to the following Mfg. Nos.:**

**020632-00 - 3,000 PSI Briggs & Stratton**

# Pump

80011014

**NOTE: Unless noted otherwise, use the standard hardware torque specification chart.**



REF.	PART NO.	DESCRIPTION	REF.	PART NO.	DESCRIPTION
33	204087GS	SCREW			
56	208673GS	VALVE-THERMO RELIEF			
69	705875	FITTING			
A	317897GS	KIT-CHECK VALVE			
B	204084GS	KIT-WATER SEAL			
C	707571	KIT-O-RING			
D	706610	KIT-UNLOADER			
E	706780	KIT-PLUG			
F	317788GS	KIT-EASY START			
G	200350GS	SCREW-GRUB			
--	6039	PUMP SAVER (Optional Accessory - Not Included)			

## Footnotes

**The above parts group applies to the following Mfg. Nos.:**  
**020632-00 - 3,000 PSI Briggs & Stratton**

# Hardware Identification & Torque Specifications

Torque Specification Chart								
FOR STANDARD METRIC MACHINE HARDWARE (Tolerance ± 20%)								
Property Class	5.6		8.8		10.9		12.9	
	Class 5.6		Class 8.8		Class 10.9		Class 12.9	
Size Of Hardware	in/lbs		in/lbs		in/lbs		in/lbs	
	ft/lbs	Nm.	ft/lbs	Nm.	ft/lbs	Nm.	ft/lbs	Nm.
M3	5.88	.56	13.44	1.28	19.2	1.80	22.92	2.15
M4	13.44	1.28	30.72	2.90	43.44	4.10	52.56	4.95
M5	26.4	2.50	60.96	5.75	5.97	8.10	7.15	9.7
M6	44.64	4.3	7.3	9.9	10.3	14	12.1	16.5
M7	5.2	7.1	12.1	16.5	16.9	23	19.9	27
M8	7.7	10.5	17.7	24	25	34	29	40
M10	15	21	35	48	50	67	59	81
M12	26	36	61	83	86.2	117	103	140
M14	42	58	101	132	136	185	162	220
M16	64	88	147	200	210	285	250	340
M18	89	121	202	275	287	390	346	470
M20	126	171	290	390	405	550	486	660
M22	169	230	390	530	559	745	656	890
M24	217	295	497	375	708	960	840	1140
M27	320	435	733	995	1032	1400	1239	1680
M30	435	590	995	1350	1401	1900	1681	2280
M33	590	800	1349	1830	1902	2580	2278	3090
M36	759	1030	1740	2360	2441	3310	2935	3980
M39	988	1340	2249	3050	3163	4290	3798	5150

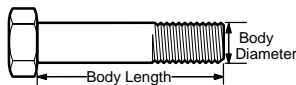
The guides and ruler furnished below are designed to help you select the appropriate hardware.



Nut, M8

Thread Diameter (mm)  
Inside Diameter (in)  
Threads per inch

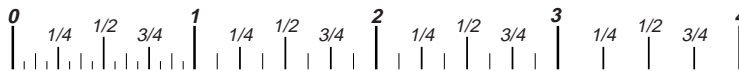
Nut, 1/2-16



Screw, M8- 1.25 x 25

Thread Diameter (mm)  
Body Diameter  
Distance between threads (mm)  
Threads per inch  
Body Length (mm)  
Body Length (in)

Screw, 1/2- 16 x 2



## Standard Hardware Sizing

When a washer or nut is identified as 1/2" (M8), this is the *Nominal size*, meaning the *inside diameter* is 1/2 inch (8mm metric thread diameter); if a second number is present it represents the *threads per inch* (distance between threads).

When bolt or capscrew is identified as 1/2 - 16 x 2" (M8 - 1.25 x 50), this means the *Nominal size*, or body diameter is 1/2 inch (8mm metric thread diameter), the second number, 16, represents the *threads per inch*, (1.25 thread diameter). The final number is the body length of the bolt or screw, 2 inches (50mm).

Torque Specification Chart						
FOR STANDARD MACHINE HARDWARE (Tolerance ± 20%)						
Hardware Grade	No Marks		SAE Grade 5		SAE Grade 8	
	SAE Grade 2		SAE Grade 5		SAE Grade 8	
Size Of Hardware	in/lbs		in/lbs		in/lbs	
	ft/lbs	Nm.	ft/lbs	Nm.	ft/lbs	Nm.
8-32	19	2.1	30	3.4	41	4.6
8-36	20	2.3	31	3.5	43	4.9
10-24	27	3.1	43	4.9	60	6.8
10-32	31	3.5	49	5.5	68	7.7
1/4-20	66	7.6	8	10.9	12	16.3
1/4-28	76	8.6	10	13.6	14	19.0
5/16-18	11	15.0	17	23.1	25	34.0
5/16-24	12	16.3	19	25.8	29	34.0
3/8-16	20	27.2	30	40.8	45	61.2
3/8-24	23	31.3	35	47.6	50	68.0
7/16-14	30	40.8	50	68.0	70	95.2
7/16-20	35	47.6	55	74.8	80	108.8
1/2-13	50	68.0	75	102.0	110	149.6
1/2-20	55	74.8	90	122.4	120	163.2
9/16-12	65	88.4	110	149.6	150	204.0
9/16-18	75	102.0	120	163.2	170	231.2
5/8-11	90	122.4	150	204.0	220	299.2
5/8-18	100	136	180	244.8	240	326.4
3/4-10	160	217.6	260	353.6	386	525.0
3/4-16	180	244.8	300	408.0	420	571.2
7/8-9	140	190.4	400	544.0	600	816.0
7/8-14	155	210.8	440	598.4	660	897.6
1-8	220	299.2	580	788.8	900	1,244.0
1-12	240	326.4	640	870.4	1,000	1,360.0

### NOTES

- These torque values are to be used for all hardware excluding: locknuts, self-tapping screws, thread forming screws, sheet metal screws and socket head setscrews.
- Recommended seating torque values for locknuts:
  - for prevailing torque locknuts - use 65% of grade 5 torques.
  - for flange whizlock nuts and screws - use 135% of grade 5 torques.
- Unless otherwise noted on assembly drawings, all torque values must meet this specification.

## Common Hardware Types

Hex Head Capscrew



Washer



Lockwasher

Carriage Bolt



Hex Nut

## Wrench & Fastener Size Guide

1/4" Bolt or Nut Wrench—7/16"	5/16" Bolt or Nut Wrench—1/2"	3/8" Bolt or Nut Wrench—9/16"	7/16" Bolt or Nut Wrench (Bolt)—5/8" Wrench (Nut)—11/16"	1/2" Bolt or Nut Wrench—3/4"
M6 Bolt or Nut Wrench—10mm	M8 Bolt or Nut Wrench—13mm	M10 Bolt or Nut Wrench—17mm	M12 Bolt or Nut Wrench—19mm	M14 Bolt or Nut Wrench—22mm



Not for  
Reproduction

**Briggs & Stratton Power Products Group, LLC**

Copyright© 2015 Briggs & Stratton Power Products Group, LLC. All rights reserved. No part of this page can be reproduced or transmitted in any form by any means without the express written permission of Briggs & Stratton Power Products Group, LLC.