

CRAFTSMAN[®]

Parts Manual

Mfg. No: 020351-0

580.752180, 2,200 PSI Craftsman

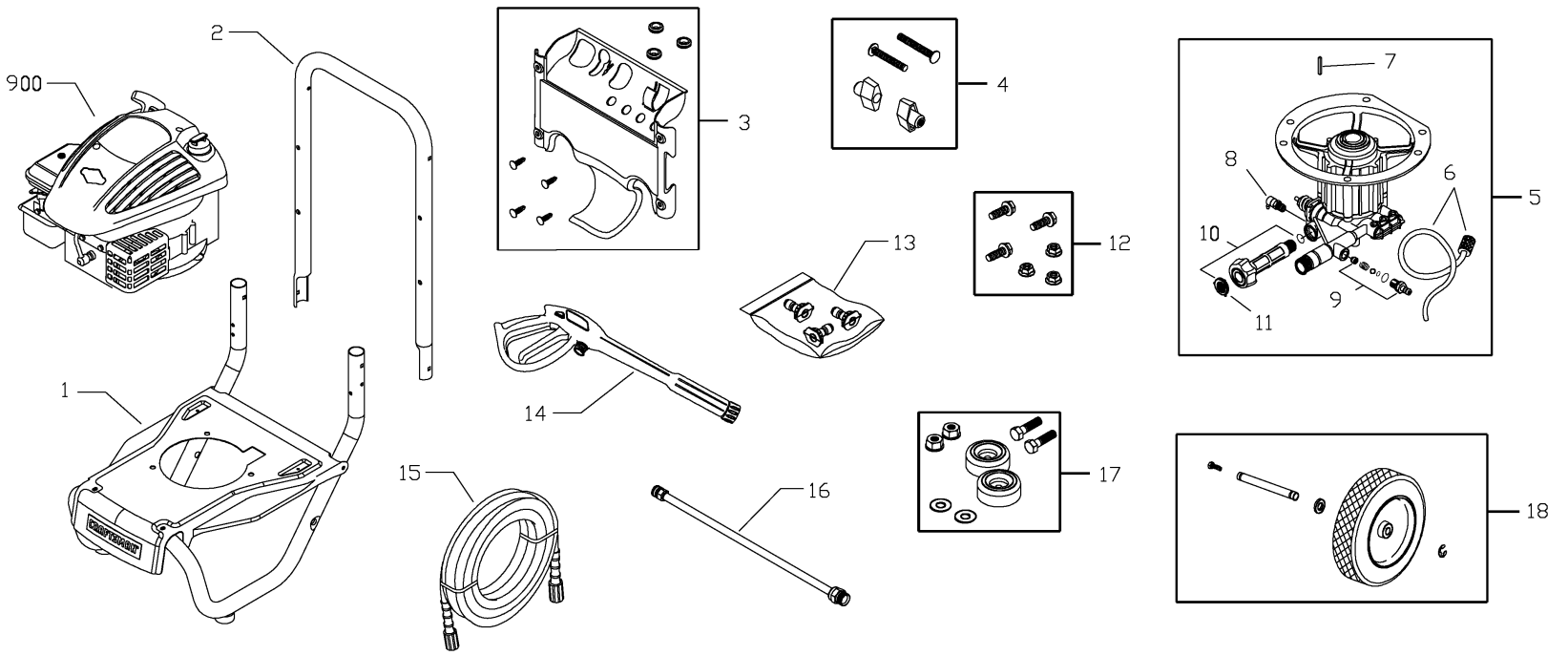
Model Components	Page
Main Unit.....	4
Torque Specification Chart.....	8

Not For
Reproduction

Main Unit

Note: Unless noted otherwise, use the standard torque specifications

Mfg. No: 020351-0



Not For
Reproduction

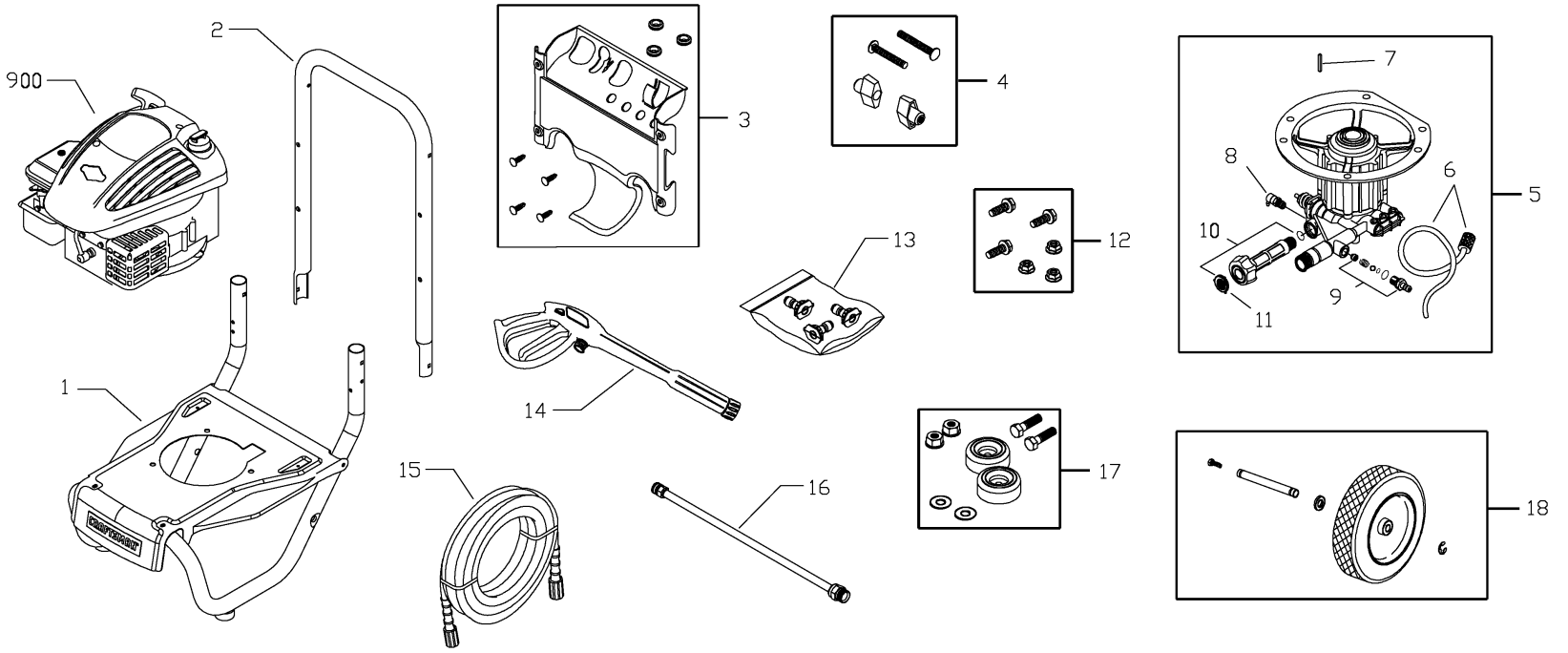
Main Unit

REF NO	PART NO	QTY	DESCRIPTION
1	206033GS		Base, w/Mounts
2	R204650GS		Handle
3	206034GS		Kit, Billboard w/Decals
--	195964GS		Clip
--	30809GS		GROMMET
4	B2203GS		Kit, Handle Connector
5	200200GS		Assy, Pump
6	189971GS		Kit, Chemical Hose
7	23139GS		Key
8	194298GS		Valve, Thermal Relief
9	200279GS		Kit, Chemical Injection
10	200278GS		Kit, Water Inlet
11	B2384GS		Filter, Inlet
12	192525GS		Kit, Pump Mounting Hardware
13	201324GS		Kit, Nozzles
--	195983AEGS		Nozzle, QC, Red
--	195983QGS		Nozzle, QC, Grn
--	198841GS		Nozzle, Plastic, Soap
14	204627GS		Gun
15	196006GS		Hose
16	200595GS		Extension, QC
17	192310GS		Kit, Vibration Mount
18	205913GS		Kit, Wheel
--	192050GS		E-Ring
--	195411GS		Axle
900	~NSP		Engine -10T502-0130-B1
--	205577GS		Manual, Operator's -Parts Not Illustrated
--	AB3061BGS		Oil Bottle -Parts Not Illustrated
--	87815GS		Goggles -Parts Not Illustrated
--	794693		Decal, Warning -Parts Not Illustrated
--	793973		Assy, Shroud/Label -Parts Not Illustrated
--	202673GS		Decal, Shroud -Parts Not Illustrated
--	194256GS		Kit, Tag Warning -Parts Not Illustrated
--	7175187GS		Garden Hose Quick Connect -Optional Accessories Not Illustrated
--	7175197GS		Accessory Quick Connect -Optional Accessories Not Illustrated
--	7175124GS		Rotating Brush Kit -Optional Accessories Not Illustrated
--	7175122GS		30' Replacement Hose -Optional Accessories Not Illustrated
--	7175116GS		O Ring Repair Kit -Optional Accessories Not Illustrated
--	7175129GS		Turbo Nozzle -Optional Accessories Not Illustrated
--	7175121GS		25' Extension Hose -Optional Accessories Not Illustrated

Main Unit

Note: Unless noted otherwise, use the standard torque specifications

Mfg. No: 020351-0



Not For
Reproduction

Main Unit

REF NO	PART NO	QTY	DESCRIPTION
--	7174402GS		Hose Reel -Optional Accessories Not Illustrated
--	6039		Pump Saver -Optional Accessories Not Illustrated
--	7174300GS		House Wash Concentrate -Makes 4 gallons Optional Accessories Not Illustrated
--	7174301GS		Deck Wash Concentrate -Makes 2 gallons Optional Accessories Not Illustrated
--	7174302GS		Vehicle/Boat Wash Concentrate -Makes 4 gallons Optional Accessories Not Illustrated
--	7174303GS		Degreaser Concentrate -Makes 4 gallons Optional Accessories Not Illustrated
--	7174307GS		Mold/Mildew Concentrate -Makes 2 gallons Optional Accessories Not Illustrated

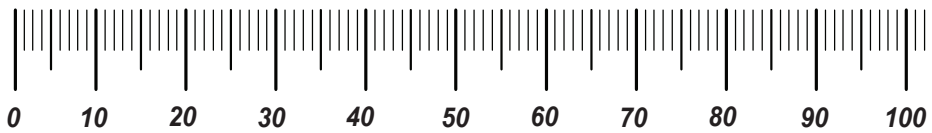
Not For Reproduction

Hardware Identification & Torque Specifications

Torque Specification Chart								
FOR STANDARD METRIC MACHINE HARDWARE (Tolerance ± 20%)								
Property Class	5.6		8.8		10.9		12.9	
	Class 5.6		Class 8.8		Class 10.9		Class 12.9	
Size Of Hardware	in/lbs	Nm.	in/lbs	Nm.	in/lbs	Nm.	in/lbs	Nm.
	ft/lbs		ft/lbs		ft/lbs		ft/lbs	
M3	5.88	.56	13.44	1.28	19.2	1.80	22.92	2.15
M4	13.44	1.28	30.72	2.90	43.44	4.10	52.56	4.95
M5	26.4	2.50	60.96	5.75	5.97	8.10	7.15	9.7
M6	44.64	4.3	7.3	9.9	10.3	14	12.1	16.5
M7	5.2	7.1	12.1	16.5	16.9	23	19.9	27
M8	7.7	10.5	17.7	24	25	34	29	40
M10	15	21	35	48	50	67	59	81
M12	26	36	61	83	86.2	117	103	140
M14	42	58	101	132	136	185	162	220
M16	64	88	147	200	210	285	250	340
M18	89	121	202	275	287	390	346	470
M20	126	171	290	390	405	550	486	660
M22	169	230	390	530	559	745	656	890
M24	217	295	497	375	708	960	840	1140
M27	320	435	733	995	1032	1400	1239	1680
M30	435	590	995	1350	1401	1900	1681	2280
M33	590	800	1349	1830	1902	2580	2278	3090
M36	759	1030	1740	2360	2441	3310	2935	3980
M39	988	1340	2249	3050	3163	4290	3798	5150

Torque Specification Chart						
FOR STANDARD MACHINE HARDWARE (Tolerance ± 20%)						
Hardware Grade	No Marks		SAE Grade 5		SAE Grade 8	
	SAE Grade 2		SAE Grade 5		SAE Grade 8	
Size Of Hardware	in/lbs	Nm.	in/lbs	Nm.	in/lbs	Nm.
	ft/lbs		ft/lbs		ft/lbs	
8-32	19	2.1	30	3.4	41	4.6
8-36	20	2.3	31	3.5	43	4.9
10-24	27	3.1	43	4.9	60	6.8
10-32	31	3.5	49	5.5	68	7.7
1/4-20	66	7.6	8	10.9	12	16.3
1/4-28	76	8.6	10	13.6	14	19.0
5/16-18	11	15.0	17	23.1	25	34.0
5/16-24	12	16.3	19	25.8	29	34.0
3/8-16	20	27.2	30	40.8	45	61.2
3/8-24	23	31.3	35	47.6	50	68.0
7/16-14	30	40.8	50	68.0	70	95.2
7/16-20	35	47.6	55	74.8	80	108.8
1/2-13	50	68.0	75	102.0	110	149.6
1/2-20	55	74.8	90	122.4	120	163.2
9/16-12	65	88.4	110	149.6	150	204.0
9/16-18	75	102.0	120	163.2	170	231.2
5/8-11	90	122.4	150	204.0	220	299.2
5/8-18	100	136	180	244.8	240	326.4
3/4-10	160	217.6	260	353.6	386	525.0
3/4-16	180	244.8	300	408.0	420	571.2
7/8-9	140	190.4	400	544.0	600	816.0
7/8-14	155	210.8	440	598.4	660	897.6
1-8	220	299.2	580	788.8	900	1,244.0
1-12	240	326.4	640	870.4	1,000	1,360.0

The guides and ruler furnished below are designed to help you select the appropriate hardware.



Nut, M8

Thread Diameter (mm)

Inside Diameter (in) Threads per inch

Nut, 1/2-16



Screw, M8- 1.25 x 25

Thread Diameter (mm) Distance between threads (mm) Body Length (mm)

Body Diameter Threads per inch Body Length (in)

Screw, 1/2- 16 x 2



Standard Hardware Sizing

When a washer or nut is identified as 1/2" (M8), this is the *Nominal size*, meaning the *inside diameter* is 1/2 inch (8mm metric thread diameter); if a second number is present it represents the *threads per inch* (distance between threads).

When bolt or capscrew is identified as 1/2 - 16 x 2" (M8 - 1.25 x 50), this means the *Nominal size*, or body diameter is 1/2 inch (8mm metric thread diameter), the second number, 16, represents the *threads per inch*, (*distance between threads*). The final number is the body length of the bolt or screw, 2 inches (50mm).

NOTES

- These torque values are to be used for all hardware excluding: locknuts, self-tapping screws, thread forming screws, sheet metal screws and socket head setscrews.
- Recommended seating torque values for locknuts:
 - for prevailing torque locknuts - use 65% of grade 5 torques.
 - for flange whizlock nuts and screws - use 135% of grade 5 torques.
- Unless otherwise noted on assembly drawings, all torque values must meet this specification.

Common Hardware Types

Hex Head Capscrew



Washer



Carriage Bolt



Hex Nut

Wrench & Fastener Size Guide

1/4" Bolt or Nut Wrench—7/16"	5/16" Bolt or Nut Wrench—1/2"	3/8" Bolt or Nut Wrench—9/16"	7/16" Bolt or Nut Wrench (Bolt)—5/8" Wrench (Nut)—11/16"	1/2" Bolt or Nut Wrench—3/4"
M6 Bolt or Nut Wrench—10mm	M8 Bolt or Nut Wrench—13mm	M10 Bolt or Nut Wrench—17mm	M12 Bolt or Nut Wrench—19mm	M14 Bolt or Nut Wrench—22mm

CRAFTSMAN®