

# CRAFTSMAN<sup>®</sup>

# Parts Manual

Mfg. No: 020370-0

580.752280, 2,700 PSI Craftsman



---

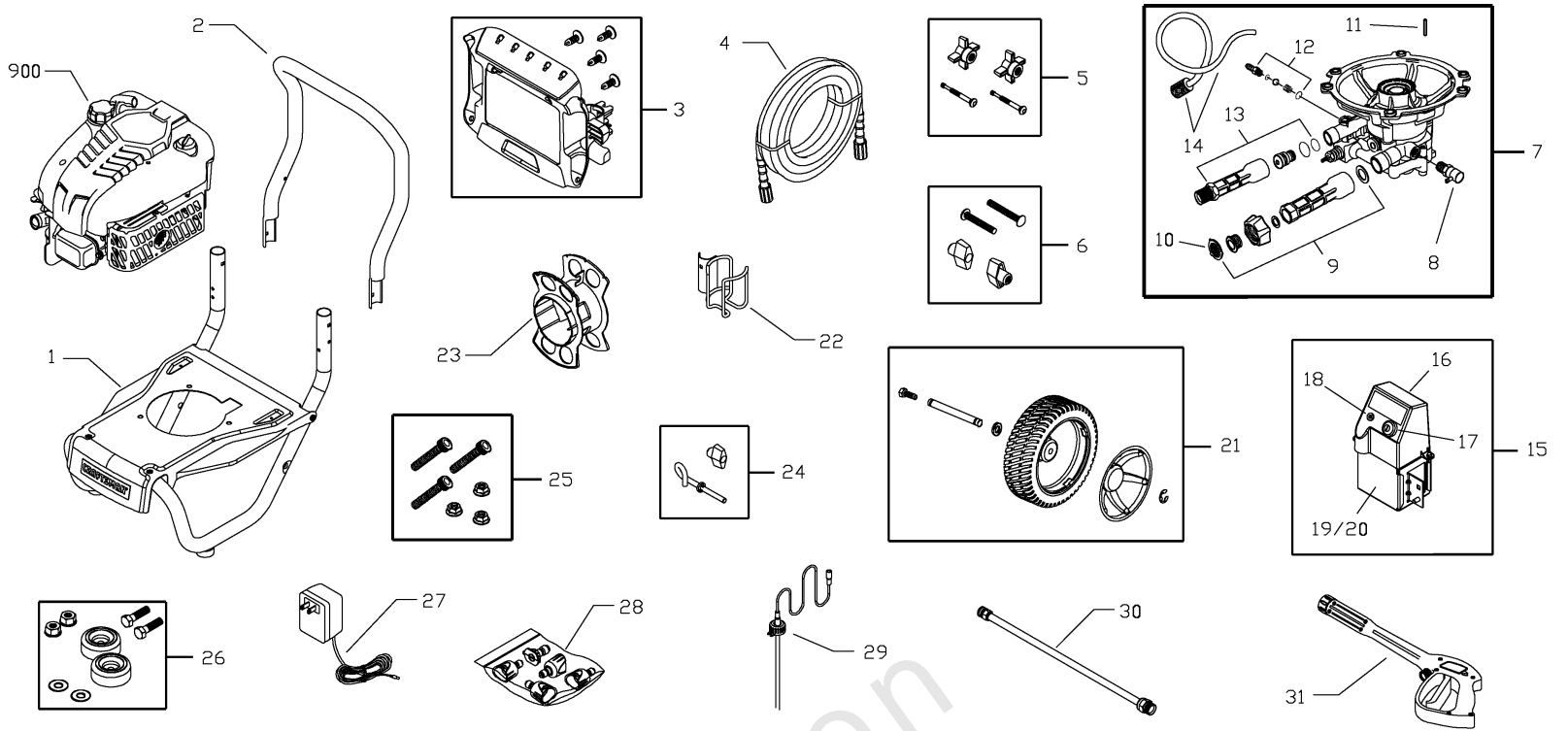
<b>Model Components</b>	<b>Page</b>
Main Unit.....	4
Pump Service Parts (318643GS).....	8
Torque Specification Chart.....	10

Not For  
Reproduction

# Main Unit

Note: Unless noted otherwise, use the standard torque specifications

Mfg. No: 020370-0



Not For  
Reproduction

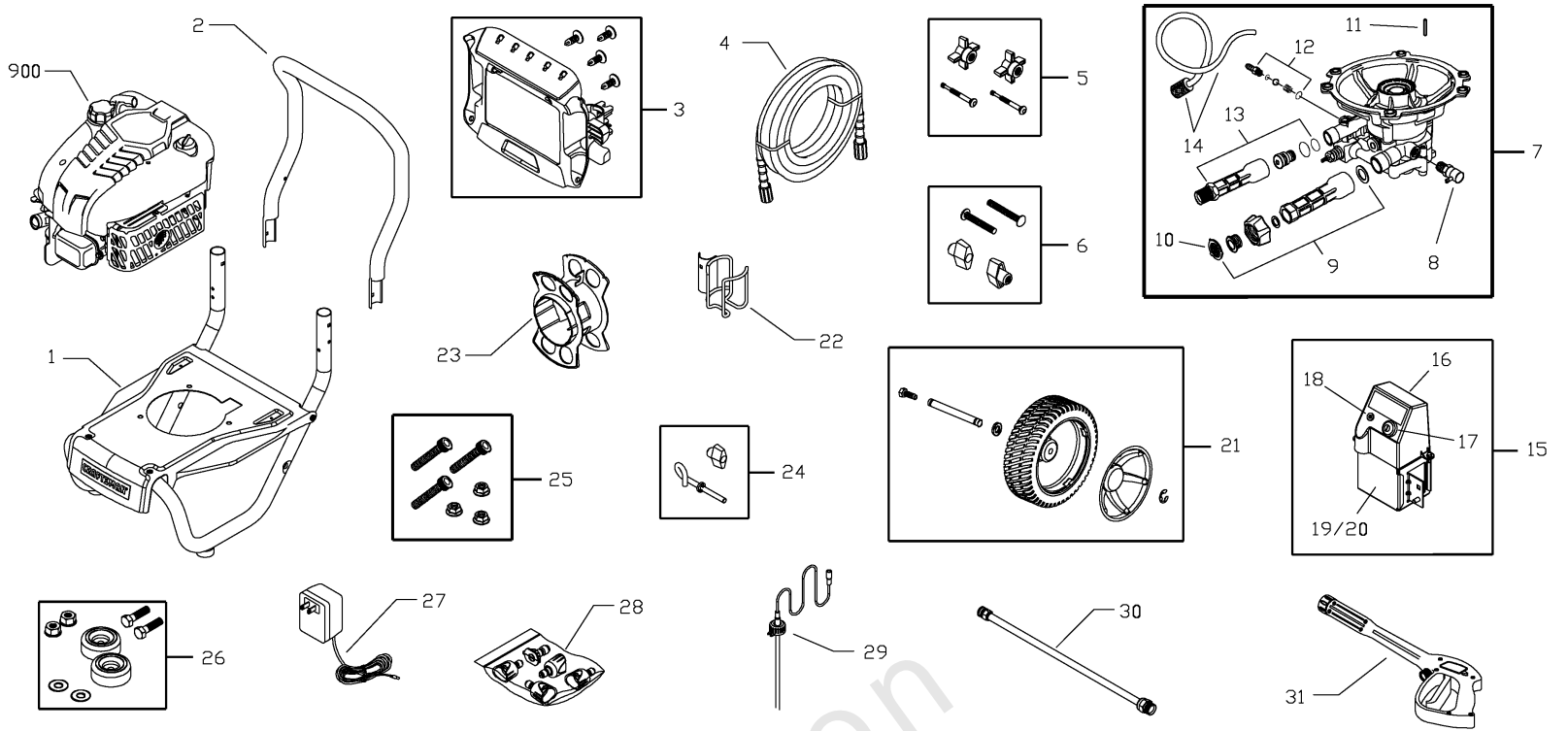
## Main Unit

REF NO	PART NO	QTY	DESCRIPTION
1	205961GS		Base, w/Vib Mounts
2	B204257GS		Handle
3	206606GS		Kit, Billboard w/Clips & Decals
--	195964GS		Clips, Tree
4	205290GS		Hose
5	205910GS		Kit, Handle
6	B2203GS		Kit, Handle
7	205816GS		Assy, Pump -(NLA - Please order 706386)
8	194298GS		Valve, Thermal Relief
9	206374GS		Kit, Water Inlet
10	B2384GS		Filter, Inlet
11	23139GS		Key
12	190593GS		Kit, Chemical Injection
13	206375GS		Kit, Water Outlet
14	189971GS		Kit, Chemical Hose/Filter
15	206382GS		Assy, Battery Electric Start
16	206292GS		Switch Cover -(Includes Items 17 & 18)
17	690646		SWITCH-KEY
18	206272GS		Coaxial Jack, DC
--	186133GS		Cap, Battery Charge
19	205949GS		Weldment, Battery Holder
20	206295GS		Battery
21	205964GS		Kit, Wheel
--	192050GS		E-Ring
--	200517GS		Hubcap
--	205413GS		Axle
22	204484GS		Wireform
23	204684GS		Wrap, Hose
24	205912GS		Kit, Rope Guide
25	192529GS		Kit, Pump Mounting Hardware
26	192310GS		Kit, Vibration Mount
27	B4177GS		Charger, Battery
28	205710GS		Kit, Nozzles
--	198841GS		Nozzle, Soap
--	201580AWGS		Nozzle, Project Pro, Cyn
--	201580AXGS		Nozzle, Project Pro, Mgnta
--	201580XGS		Nozzle, Project Pro, Orng
--	201580AAGS		Nozzle, Project Pro, Red
29	204658GS		Hose, Chemical
30	200595GS		Extension, QC
31	204627GS		Gun
32	706386		PUMP
900	-----		Engine -(12R605-0116-F1)
--	AB3061BGS		Oil Bottle -(Not Illustrated)
--	206013GS		Cover, Static -(Not Illustrated)
--	202712GS		Decal, Recoil -(Not Illustrated)
--	206056GS		Decal, Shroud -(Not Illustrated)

# Main Unit

Note: Unless noted otherwise, use the standard torque specifications

Mfg. No: 020370-0



Not For  
Reproduction

## Main Unit

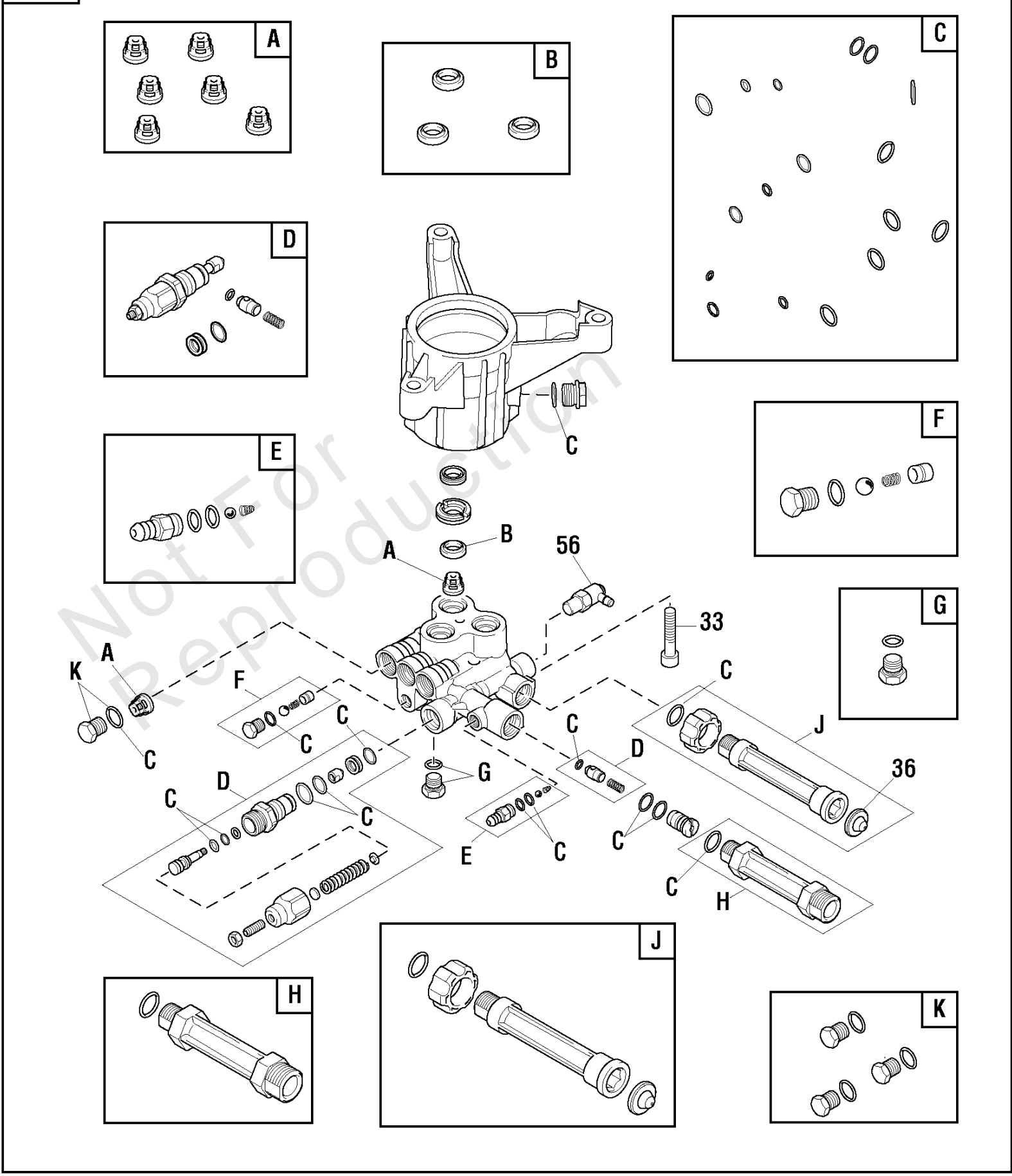
REF NO	PART NO	QTY	DESCRIPTION
--	189332GS		Cap, Plug -(Not Illustrated)
--	691959		SET, Key -(Not Illustrated)
--	794693		Label, Warning -(Not Illustrated)
--	87815GS		Goggles -(Not Illustrated)
--	194256GS		Kit, Tag/Warning, Srv -(Not Illustrated)
--	7175187GS		Garden Hose Quick Connect -(Optional Accessory - Not Included)
--	7175197GS		Accessory Quick Connect -(Optional Accessory - Not Included)
--	7175124GS		Rotating Brush Kit -(Optional Accessory - Not Included)
--	7175122GS		30' Replacement Hose -(Optional Accessory - Not Included)
--	7175116GS		O Ring Repair Kit -(Optional Accessory - Not Included)
--	7175129GS		Turbo Nozzle -(Optional Accessory - Not Included)
--	7175121GS		25' Extension Hose -(Optional Accessory - Not Included)
--	7174402GS		Hose Reel -(Optional Accessory - Not Included)
--	6039		Pump Saver -(Optional Accessory - Not Included)
--	6159		Project Pro(R) Perfectmix™ Multi-Purpose And Vehicle Cleaner -(Optional Accessory - Not Included)
--	6160		Project Pro® PerfectMix Concrete, Brick, And Tile Cleaner -(Optional Accessory - Not Included)
--	6161		Project Pro(R) Perfectmix™ Mold And Mildew Cleaner -(Optional Accessory - Not Included)

# Pump Service Parts (318643GS)

Note: Unless noted otherwise, use the standard torque specifications

Mfg. No: 020370-0

**5B**





## Pump Service Parts (318643GS)

REF NO	PART NO	QTY	DESCRIPTION
5B	706386		PUMP
33	200275GS		SCREW
36	B2384GS		FILTER-GARDEN HOSE
56	208673GS		VALVE-THERMO RELIEF
A	317897GS		* KIT-CHECK VALVE
B	200345GS		* KIT-WATER SEAL
C	319404GS		* KIT-O-RING
D	706610		* KIT-UNLOADER
E	317787GS		* KIT-CHEMICAL INJ
F	200349GS		* KIT-EASY START
G	200350GS		* SCREW-GRUB
H	201497GS		* FITTING
J	201496GS		* KIT-WATER INLET
K	317056GS		* KIT-PLUG
--	6039		PUMP SAVER -(Optional Accessory - Not Included)

Not For  
Reproduction

---

**Footnotes:**

\* Service Kit includes all parts shown in box.

# Hardware Identification & Torque Specifications

Torque Specification Chart								
FOR STANDARD METRIC MACHINE HARDWARE (Tolerance ± 20%)								
Property Class	5.6		8.8		10.9		12.9	
	Class 5.6		Class 8.8		Class 10.9		Class 12.9	
Size Of Hardware	in/lbs	Nm.	in/lbs	Nm.	in/lbs	Nm.	in/lbs	Nm.
	ft/lbs		ft/lbs		ft/lbs		ft/lbs	
M3	5.88	.56	13.44	1.28	19.2	1.80	22.92	2.15
M4	13.44	1.28	30.72	2.90	43.44	4.10	52.56	4.95
M5	26.4	2.50	60.96	5.75	5.97	8.10	7.15	9.7
M6	44.64	4.3	7.3	9.9	10.3	14	12.1	16.5
M7	5.2	7.1	12.1	16.5	16.9	23	19.9	27
M8	7.7	10.5	17.7	24	25	34	29	40
M10	15	21	35	48	50	67	59	81
M12	26	36	61	83	86.2	117	103	140
M14	42	58	101	132	136	185	162	220
M16	64	88	147	200	210	285	250	340
M18	89	121	202	275	287	390	346	470
M20	126	171	290	390	405	550	486	660
M22	169	230	390	530	559	745	656	890
M24	217	295	497	375	708	960	840	1140
M27	320	435	733	995	1032	1400	1239	1680
M30	435	590	995	1350	1401	1900	1681	2280
M33	590	800	1349	1830	1902	2580	2278	3090
M36	759	1030	1740	2360	2441	3310	2935	3980
M39	988	1340	2249	3050	3163	4290	3798	5150

Torque Specification Chart						
FOR STANDARD MACHINE HARDWARE (Tolerance ± 20%)						
Hardware Grade	No Marks		SAE Grade 5		SAE Grade 8	
	SAE Grade 2		SAE Grade 5		SAE Grade 8	
Size Of Hardware	in/lbs	Nm.	in/lbs	Nm.	in/lbs	Nm.
	ft/lbs		ft/lbs		ft/lbs	
8-32	19	2.1	30	3.4	41	4.6
8-36	20	2.3	31	3.5	43	4.9
10-24	27	3.1	43	4.9	60	6.8
10-32	31	3.5	49	5.5	68	7.7
1/4-20	66	7.6	8	10.9	12	16.3
1/4-28	76	8.6	10	13.6	14	19.0
5/16-18	11	15.0	17	23.1	25	34.0
5/16-24	12	16.3	19	25.8	29	34.0
3/8-16	20	27.2	30	40.8	45	61.2
3/8-24	23	31.3	35	47.6	50	68.0
7/16-14	30	40.8	50	68.0	70	95.2
7/16-20	35	47.6	55	74.8	80	108.8
1/2-13	50	68.0	75	102.0	110	149.6
1/2-20	55	74.8	90	122.4	120	163.2
9/16-12	65	88.4	110	149.6	150	204.0
9/16-18	75	102.0	120	163.2	170	231.2
5/8-11	90	122.4	150	204.0	220	299.2
5/8-18	100	136	180	244.8	240	326.4
3/4-10	160	217.6	260	353.6	386	525.0
3/4-16	180	244.8	300	408.0	420	571.2
7/8-9	140	190.4	400	544.0	600	816.0
7/8-14	155	210.8	440	598.4	660	897.6
1-8	220	299.2	580	788.8	900	1,244.0
1-12	240	326.4	640	870.4	1,000	1,360.0

The guides and ruler furnished below are designed to help you select the appropriate hardware.

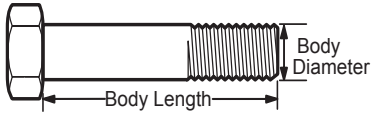


Nut, M8

Thread Diameter (mm)

Inside Diameter (in)      Threads per inch

Nut, 1/2-16



Screw, M8- 1.25 x 25

Thread Diameter (mm)      Distance between threads (mm)      Body Length (mm)

Body Diameter      Threads per inch      Body Length (in)

Screw, 1/2- 16 x 2



## Standard Hardware Sizing

When a washer or nut is identified as 1/2" (M8), this is the *Nominal size*, meaning the *inside diameter* is 1/2 inch (8mm metric thread diameter); if a second number is present it represents the *threads per inch* (distance between threads).

When bolt or capscrew is identified as 1/2 - 16 x 2" (M8 - 1.25 x 50), this means the *Nominal size*, or body diameter is 1/2 inch (8mm metric thread diameter), the second number, 16, represents the *threads per inch*, (*distance between threads*). The final number is the body length of the bolt or screw, 2 inches (50mm).

## NOTES

- These torque values are to be used for all hardware excluding: locknuts, self-tapping screws, thread forming screws, sheet metal screws and socket head setscrews.
- Recommended seating torque values for locknuts:
  - for prevailing torque locknuts - use 65% of grade 5 torques.
  - for flange whizlock nuts and screws - use 135% of grade 5 torques.
- Unless otherwise noted on assembly drawings, all torque values must meet this specification.

## Common Hardware Types

Hex Head Capscrew



Washer



Carriage Bolt



Hex Nut

## Wrench & Fastener Size Guide

1/4" Bolt or Nut Wrench—7/16"	5/16" Bolt or Nut Wrench—1/2"	3/8" Bolt or Nut Wrench—9/16"	7/16" Bolt or Nut Wrench (Bolt)—5/8" Wrench (Nut)—11/16"	1/2" Bolt or Nut Wrench—3/4"
M6 Bolt or Nut Wrench—10mm	M8 Bolt or Nut Wrench—13mm	M10 Bolt or Nut Wrench—17mm	M12 Bolt or Nut Wrench—19mm	M14 Bolt or Nut Wrench—22mm

**CRAFTSMAN®**