

Mfg. No: 020204-0
3,000 PSI Craftsman



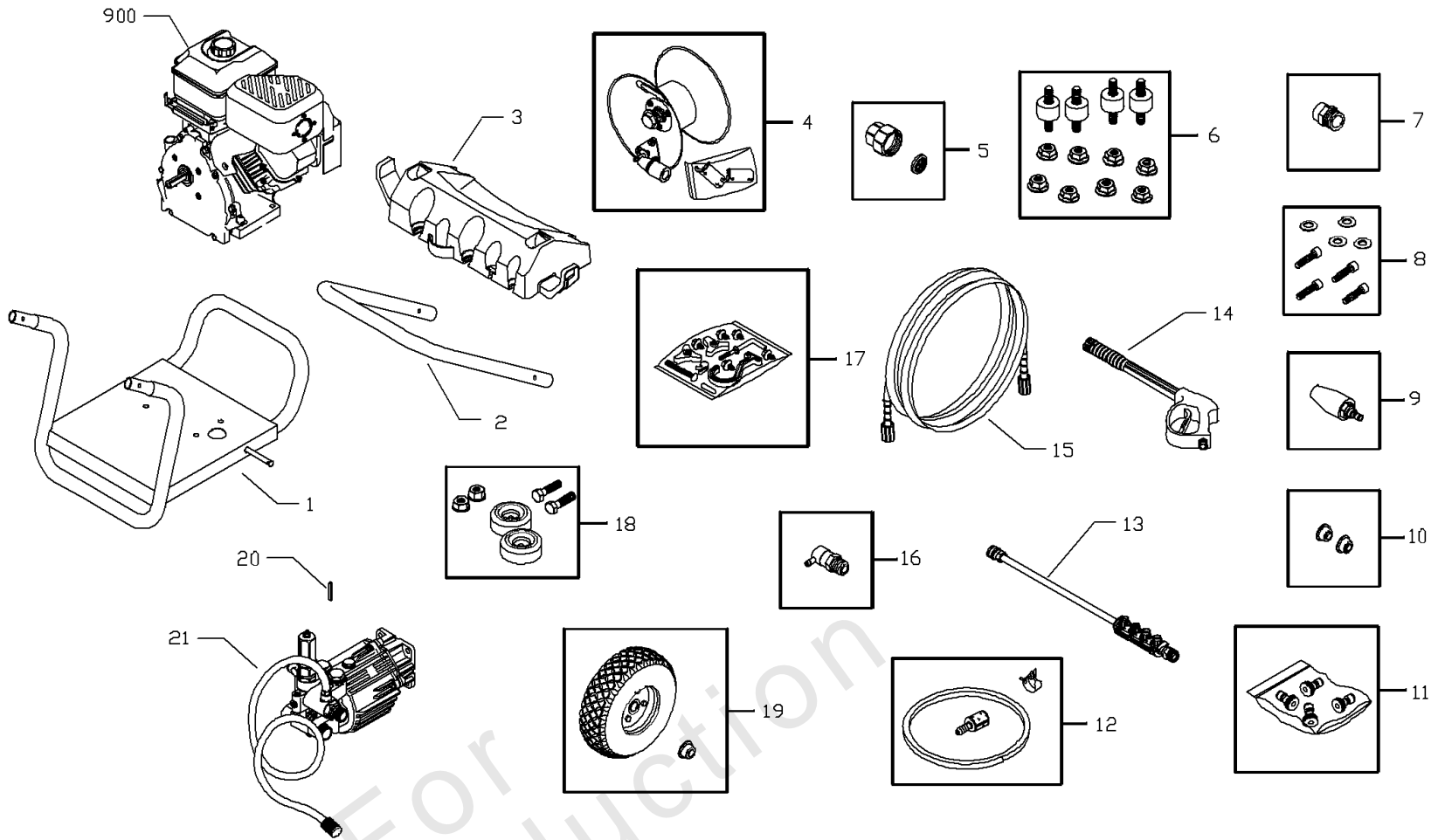
Model Components	Page
Main Unit.....	4
Pump.....	8
Torque Specification Chart.....	10

Not For
Reproduction

Main Unit

Note: Unless noted otherwise, use the standard torque specifications

Mfg. No: 020204-0



Not For
Reproduction

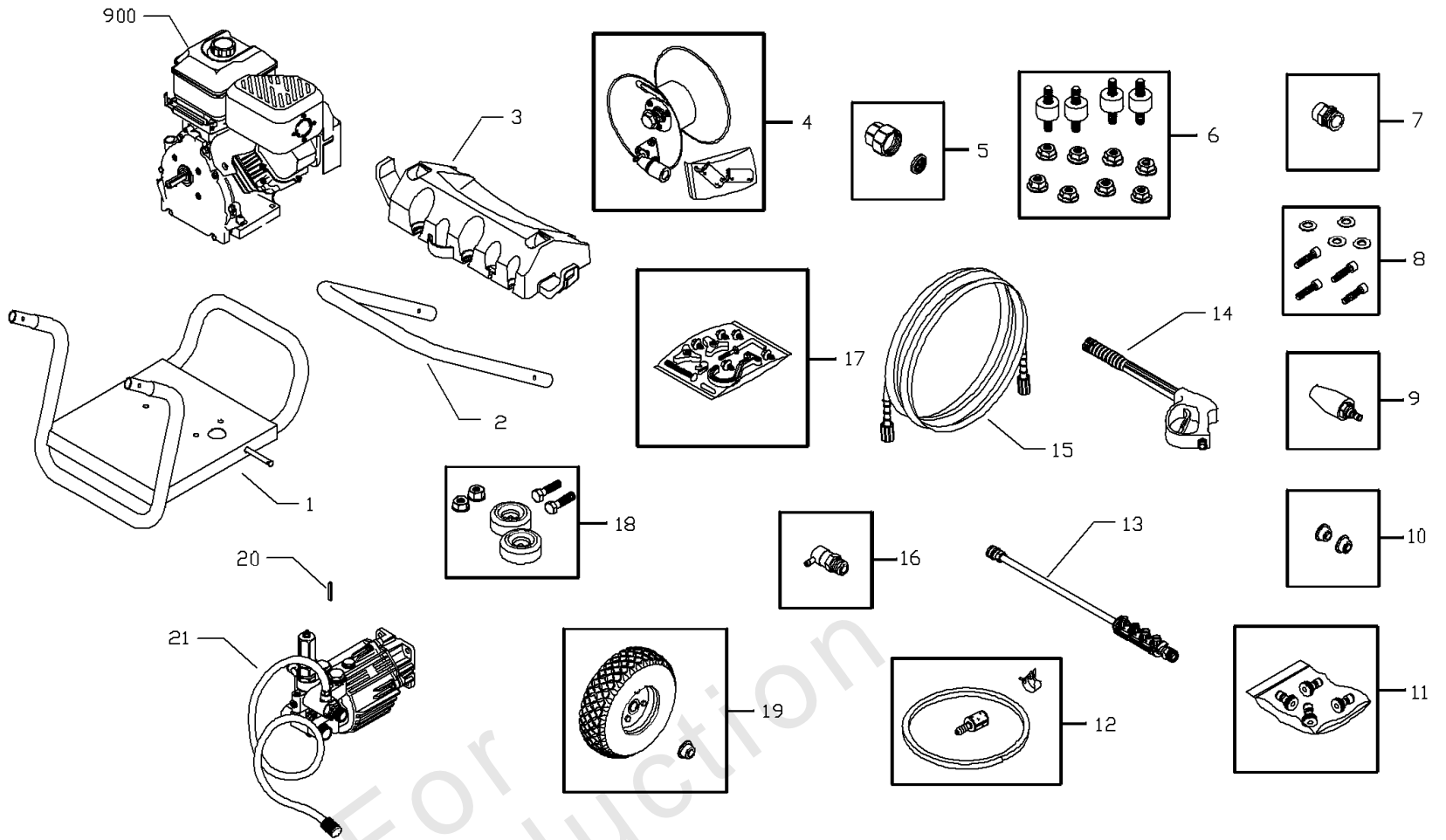
Main Unit

REF NO	PART NO	QTY	DESCRIPTION
	580753000		CRAFTSMAN 3000 PSI Pressure Washer 580.753000
1	M190156GS		BASE
2	M187602GS		HANDLE
3	187606GS		BILLBOARD
4	192648GS		ASSY, Complete Hose Reel Kit
5	194004GS		KIT, Inlet, Hose, Grdn, Srv
6	192134GS		KIT, Engine Mounting Hardware
7	95457GS		ADAPTER, Hose
8	192131GS		KIT, Pump Mounting Hardware
9	194236CGS		NOZZLE, Turbo
10	194062GS		PUSHNUT
11	B5646GS		KIT, Spray Tips
12	192796GS		KIT, Chem Hose & Filter
13	192199GS		ASSY, Extension
14	B1862BGS		GUN
15	B5167GS		HOSE
16	194298GS		THERMAL RELIEF
17	190668GS		KIT, Handle Fasteners
18	192553GS		KIT, Vibration Mount
19	192526GS		KIT, Wheel
20	23139DGS		KEY
21	194003GS		ASSY, Pump -(See "Pump")
900	~NSP		ENGINE
	194190GS		MANUAL, Owner's -Not illustrated
	194420GS		KIT, Decals -Not illustrated
	AB3061BGS		OIL, Bottle -Not illustrated
	7175187GS		Garden Hose Quick Connect -Optional accessory; Not illustrated
	7175197GS		Accessory Quick Connect -Optional accessory; Not illustrated
	7175199GS		Rotating Brush Kit -Optional accessory; Not illustrated
	7175115GS		HOSE, 4000PSI, 3/8" x 25' -Optional accessory; Not illustrated
	7175116GS		O Ring Repair Kit -Optional accessory; Not illustrated
	7174400GS		Turbo Nozzle -Optional accessory; Not illustrated
	7174401GS		HOSE, 4000PSI, 3/8" x 25' -Optional accessory; Not illustrated
	7174402GS		Hose Reel -Optional accessory; Not illustrated
	7174403GS		Pump Saver -Optional accessory; Not illustrated
	7174300GS		House Wash Concentrate (makes 4 gallons) -Optional accessory; Not illustrated
	7174301GS		Deck Wash Concentrate (makes 2 gallons) -Optional accessory; Not illustrated
	7174302GS		Vehicle/Boat Wash Concentrate (makes 4 gallons) -Optional accessory; Not illustrated
	7174303GS		Degreaser Concentrate (makes 4 gallons) -Optional accessory; Not illustrated

Main Unit

Note: Unless noted otherwise, use the standard torque specifications

Mfg. No: 020204-0



Not For
Reproduction

Main Unit

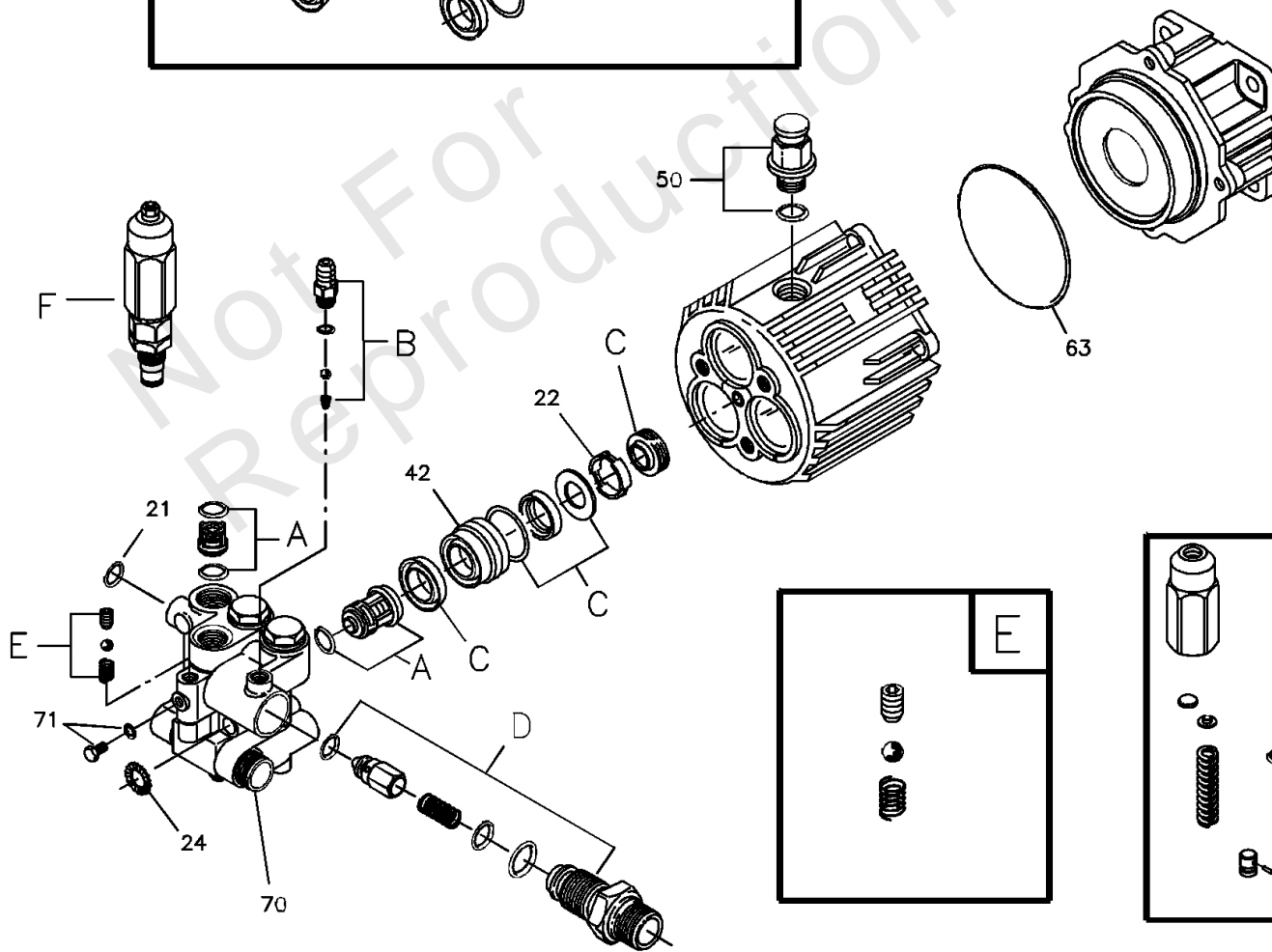
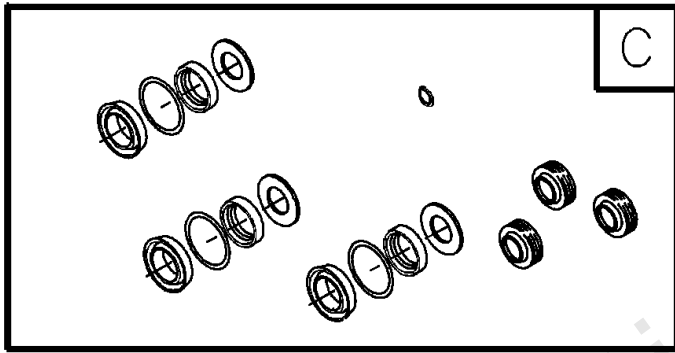
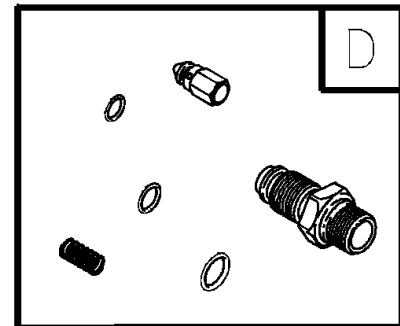
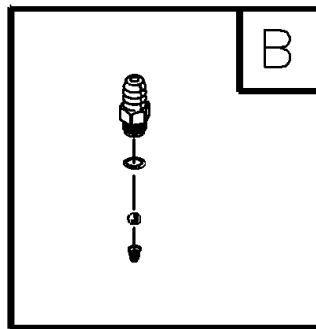
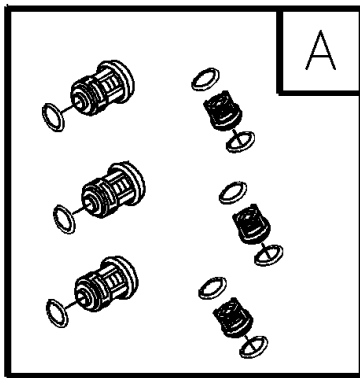
REF NO	PART NO	QTY	DESCRIPTION
	7174307GS		Mold/Mildew Concentrate (makes 2 gallons) -Optional accessory; Not illustrated

Not For Reproduction

Pump

Note: Unless noted otherwise, use the standard torque specifications

Mfg. No: 020204-0



NOTE: Item letters A - F are service kits and include all parts shown within the box.

Pump

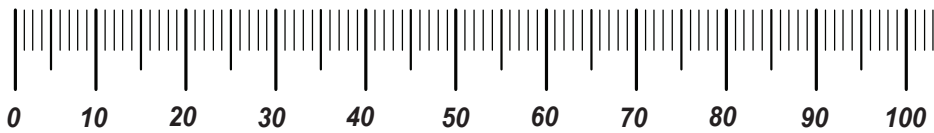
REF NO	PART NO	QTY	DESCRIPTION
	580753000		CRAFTSMAN 3000 PSI Pressure Washer 580.753000
21	194434GS		O-RING
22	190639GS		SPACER
24	190640GS		WASHER
42	190646GS		PISTON, Guide
50	191441GS		VENT CAP, with O-Ring
63	194435GS		O-RING
70	190654GS		PUMP HEAD
71	190655GS		GRUB SCREW & WASHER
72	190656GS		OIL BOTTLE
A	190657GS		KIT, CHECK VALVE -Service kit includes all parts shown within the box.
B	192914GS		KIT, CHEMICAL INJECT -Service kit includes all parts shown within the box.
C	194425GS		KIT, SEAL OIL -Service kit includes all parts shown within the box.
D	194426GS		KIT, INJECTOR -Service kit includes all parts shown within the box.
E	194427GS		KIT, BALL & SPRING -Service kit includes all parts shown within the box.
F	193126GS		KIT, UNLOADER -Service kit includes all parts shown within the box.

Hardware Identification & Torque Specifications

Torque Specification Chart								
FOR STANDARD METRIC MACHINE HARDWARE (Tolerance ± 20%)								
Property Class	5.6		8.8		10.9		12.9	
	Class 5.6		Class 8.8		Class 10.9		Class 12.9	
Size Of Hardware	in/lbs		in/lbs		in/lbs		in/lbs	
	ft/lbs	Nm.	ft/lbs	Nm.	ft/lbs	Nm.	ft/lbs	Nm.
M3	5.88	.56	13.44	1.28	19.2	1.80	22.92	2.15
M4	13.44	1.28	30.72	2.90	43.44	4.10	52.56	4.95
M5	26.4	2.50	60.96	5.75	5.97	8.10	7.15	9.7
M6	44.64	4.3	7.3	9.9	10.3	14	12.1	16.5
M7	5.2	7.1	12.1	16.5	16.9	23	19.9	27
M8	7.7	10.5	17.7	24	25	34	29	40
M10	15	21	35	48	50	67	59	81
M12	26	36	61	83	86.2	117	103	140
M14	42	58	101	132	136	185	162	220
M16	64	88	147	200	210	285	250	340
M18	89	121	202	275	287	390	346	470
M20	126	171	290	390	405	550	486	660
M22	169	230	390	530	559	745	656	890
M24	217	295	497	375	708	960	840	1140
M27	320	435	733	995	1032	1400	1239	1680
M30	435	590	995	1350	1401	1900	1681	2280
M33	590	800	1349	1830	1902	2580	2278	3090
M36	759	1030	1740	2360	2441	3310	2935	3980
M39	988	1340	2249	3050	3163	4290	3798	5150

Torque Specification Chart						
FOR STANDARD MACHINE HARDWARE (Tolerance ± 20%)						
Hardware Grade	No Marks		SAE Grade 5		SAE Grade 8	
	SAE Grade 2		SAE Grade 5		SAE Grade 8	
Size Of Hardware	in/lbs		in/lbs		in/lbs	
	ft/lbs	Nm.	ft/lbs	Nm.	ft/lbs	Nm.
8-32	19	2.1	30	3.4	41	4.6
8-36	20	2.3	31	3.5	43	4.9
10-24	27	3.1	43	4.9	60	6.8
10-32	31	3.5	49	5.5	68	7.7
1/4-20	66	7.6	8	10.9	12	16.3
1/4-28	76	8.6	10	13.6	14	19.0
5/16-18	11	15.0	17	23.1	25	34.0
5/16-24	12	16.3	19	25.8	29	34.0
3/8-16	20	27.2	30	40.8	45	61.2
3/8-24	23	31.3	35	47.6	50	68.0
7/16-14	30	40.8	50	68.0	70	95.2
7/16-20	35	47.6	55	74.8	80	108.8
1/2-13	50	68.0	75	102.0	110	149.6
1/2-20	55	74.8	90	122.4	120	163.2
9/16-12	65	88.4	110	149.6	150	204.0
9/16-18	75	102.0	120	163.2	170	231.2
5/8-11	90	122.4	150	204.0	220	299.2
5/8-18	100	136	180	244.8	240	326.4
3/4-10	160	217.6	260	353.6	386	525.0
3/4-16	180	244.8	300	408.0	420	571.2
7/8-9	140	190.4	400	544.0	600	816.0
7/8-14	155	210.8	440	598.4	660	897.6
1-8	220	299.2	580	788.8	900	1,244.0
1-12	240	326.4	640	870.4	1,000	1,360.0

The guides and ruler furnished below are designed to help you select the appropriate hardware.



Nut, M8

Thread Diameter (mm)

Inside Diameter (in) Threads per inch

Nut, 1/2-16

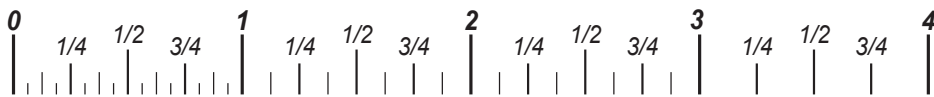


Screw, M8- 1.25 x 25

Thread Diameter (mm) Distance between threads (mm) Body Length (mm)

Body Diameter Threads per inch Body Length (in)

Screw, 1/2- 16 x 2



Standard Hardware Sizing

When a washer or nut is identified as 1/2" (M8), this is the *Nominal size*, meaning the *inside diameter* is 1/2 inch (8mm metric thread diameter); if a second number is present it represents the *threads per inch* (distance between threads).

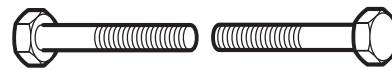
When bolt or capscrew is identified as 1/2 - 16 x 2" (M8 - 1.25 x 50), this means the *Nominal size*, or body diameter is 1/2 inch (8mm metric thread diameter), the second number, 16, represents the *threads per inch*, (*distance between threads*). The final number is the body length of the bolt or screw, 2 inches (50mm).

NOTES

- These torque values are to be used for all hardware excluding: locknuts, self-tapping screws, thread forming screws, sheet metal screws and socket head setscrews.
- Recommended seating torque values for locknuts:
 - for prevailing torque locknuts - use 65% of grade 5 torques.
 - for flange whizlock nuts and screws - use 135% of grade 5 torques.
- Unless otherwise noted on assembly drawings, all torque values must meet this specification.

Common Hardware Types

Hex Head Capscrew



Washer



Carriage Bolt



Hex Nut

Wrench & Fastener Size Guide

1/4" Bolt or Nut Wrench—7/16"	5/16" Bolt or Nut Wrench—1/2"	3/8" Bolt or Nut Wrench—9/16"	7/16" Bolt or Nut Wrench (Bolt)—5/8" Wrench (Nut)—11/16"	1/2" Bolt or Nut Wrench—3/4"
M6 Bolt or Nut Wrench—10mm	M8 Bolt or Nut Wrench—13mm	M10 Bolt or Nut Wrench—17mm	M12 Bolt or Nut Wrench—19mm	M14 Bolt or Nut Wrench—22mm

CRAFTSMAN®