

Operator-Parts List Manual

Manuel de l'opérateur - Liste de pièces

Manual del operador - Lista de piezas

2200/3200 PSI PRESSURE WASHER

2200/3200 UNITÉS PSI NETTOYEUR HAUTE PRESSION

UNIDADES DE 2200/3200 LPC LAVADOR A PRESIÓN

IMPORTANT – Please make certain that everyone who uses the Coleman Powermate Pressure Washer thoroughly reads and understands these instructions prior to operation.

IMPORTANT – Veiller à ce que toute personne amenée à utiliser cet appareil lise soigneusement ces instructions et les comprenne avant de procéder à son utilisation.

IMPORTANTE – Favor de cerciorarse de que toda persona que use el Lavador de presión Coleman Powermate lea y entienda todas las instrucciones antes de la operación.

Coleman  ***Powermate***®

TABLE OF CONTENTS

Safety and operation rules	3
Safety features	4
Recycling valve	4
Thermal relief valve	4
Pressure gauge	4
Safety lock off latch	4
Low-oil shutdown	4
Parts drawing (PW0832217)	5
Parts drawing (PW0843207)	6
Parts list	7
Before operation	8
Pre-start preparation	8
Hose and gun assembly	8
Engine Lubrication	8
Pump Lubrication	8
Fuel	8
Operating connections	8
High pressure hose	8
Water connection	8
Operating instructions	9
Start-up procedure	9
Starting the engine	9

Pressure adjustment	9
Adjustable spray nozzle	10
Spray nozzle selection	10
Chemical injection rate adjustment	10
Use of chemical	10
Cleaning techniques	11
End of operation	11
Maintenance	12
Connections	12
Nozzle	12
Pump Lubrication	12
Water screen	12
Hinge replacement	13
Engine maintenance	13
Moving and storage instructions	13
Pump storage	13
Engine storage	13
After extended storage	13
Troubleshooting	14
Technical data	16
Customer service information	16
Accessories	17
Limited warranty	17

TABLE DES MATIÈRES

Règles d'opération et de sécurité	18
Mesures de sécurité	19
Soupape de recyclage	19
Soupape de surpression thermique	19
Contrôleur de pression	19
Loquet de sécurité	19
Arrêt suite au bas niveau d'huile	19
Des pièces (PW0832217)	20
Des pièces (PW0843207)	21
Liste des composants	22
Avant de mettre en marche	23
Préparation précédant la mise en marche	23
Montage du tuyau et du pistolet	23
Lubrification	23
Carburant	23
Raccords de fonctionnement	24
Tuyau haute pression	24
Raccordement d'eau	24
Instructions de fonctionnement	24
Procédure de lancement	24
Pour mettre le moteur en marche	24
Ajustement de pression	24

Jet réglable	25
Choix d buse de pulvérisation	25
Ajustement du rythme d'injection chimique	25
Utilisation de produits chimiques	26
Technique de nettoyage	26
Fin de l'activité	27
Entretien de l'utilisateur	27
Raccords	27
Ajustage	27
Lubrification	27
Grille d'eau	28
Remplacement des charnières	28
Entretien du moteur	28
Instructions de rangement et de déplacement	28
Rangement de la pompe	28
Rangement du moteur	29
Après un rangement prolongé	29
Dépannage	30
Caractéristiques techniques	32
Service clients	32
Accessoires	33
Garantie limitée	33

INDICE

Reglas de seguridad y operación	34
Características de seguridad	35
Válvula de reciclaje	35
Válvula de descarga de calor	35
Manómetro	35
Dispositivo de seguridad	35
Parada por bajo nivel de aceite	35
Repuestos (PW0832217)	36
Repuestos (PW0843207)	37
Lista de component	38
Antes de la operación	39
Preparación inicial	39
Ensamblado de manguera y pistola	39
Motor lubricación	39
Bomba Lubricación	39
Combustible	39
Conexiones de operación	40
Manguera de alta presión	40
Conexion de agua	40
Instrucciones de operación	40
Procedimiento de arranque	40
Encendido del motor	40

Ajuste de presión	40
Boquilla ajustable de rocío	41
Selección de boquilla de pulverización	41
Ajuste de proporción de inyección de químicos	41
Uso de productos químicos	42
Técnicas de limpieza	42
Fin de la operación	42
Mantenimiento del usuario	43
Conexiones	43
Boquilla	43
Bomba Lubricación	43
Rejilla de agua	43
Recambio de bisagras	44
Mantenimiento del motor	44
Instrucciones de manejo y almacenamiento	44
Almacenamiento de la bomba	44
Almacenamiento del motor	44
Luego de un largo almacenaje	44
Resolución de problemas	45
Información técnica	47
Servicio para los clientes	47
Accesorios	48
Garantía limitada	48

SAFETY AND OPERATION RULES

Safety precautions are essential when any mechanical equipment is involved. These precautions are necessary when using, storing, and servicing mechanical equipment. Using this equipment with the respect and caution demanded will considerably lessen the possibilities of personal injury. If safety precautions are overlooked or ignored, personal injury or property damage may occur.

The following symbols shown below are used extensively throughout this manual. Always heed these precautions, as they are essential when using any mechanical equipment.



WARNING

This warning symbol identifies specific instructions or procedures which if not correctly followed could result in personal injury or death.



CAUTION

This caution symbol identifies specific instructions or procedures which, if not strictly observed, could result in damage to, or destruction of equipment.

This unit was designed for specific applications. It should **not** be modified and/or used for any application other than which it was designed. If there are any questions regarding its application, *write or call*. Do not use this unit until you have been advised. For more information, call Customer Service at 1-800-445-1805 in the USA, 1-800-628-2098 in Canada or 1-308-237-2181.



WARNING

When using this product basic precautions should always be followed, including the following:

1. Read this manual carefully - **know your equipment**. Consider the applications, limitations, and the potential hazards specific to your unit.
2. Water spray must never be directed towards any electric wiring or directly towards the pressure washer machine itself or fatal electric shock may occur.
3. Do not allow hose to come in contact with hot muffler.
4. Equipment must be placed on a firm, supporting surface.
5. Engine must not be run at excessive speeds. Operating an engine at excessive speeds increases the hazard of personal injury. Do not tamper with parts which may increase or decrease the governed speed.
6. Always remove the spark plug or cable from the spark plug to prevent accidental starting, when not in use, or prior to detaching the high pressure hose.
7. Keep the pressure washer clean and free of oil, mud and other foreign matter.



8. Store the pressure washer in a well ventilated area with the fuel tank empty. Fuel should not be stored near the pressure washer.



9. Do not wear loose clothing, jewelry, or anything that may be caught in the starter or other rotating parts.

10. The narrow pin point stream is very powerful. It is not recommended for use on painted surfaces, wood surfaces or items attached with an adhesive backing.

11. Never direct spray at people or pets.

12. Never allow **CHILDREN** to operate pressure washer at any time.

13. Always use both hands when operating pressure washer to maintain complete control of the wand.

14. Do not touch nozzle or water spray while operating.



15. Wear safety goggles while operating.

16. Only Coleman Powermate Pressure Washer hoses and nozzles should be used.

17. Never tie knots or kink the high pressure hose as damage could result.

18. Prior to starting the pressure washer in cold weather, be sure ice has not formed in any part of the equipment.

19. Carefully observe all chemical instructions and warnings before using. Only Coleman Powermate Pressure Washer chemicals are recommended. Other chemicals may be harmful to people, the environment or damage your pressure washer.



20. The pressure washer should not be used in areas where gas vapors may be present. An electric spark could cause an explosion or fire.

21. To minimize the amount of water getting into the pressure washer, the unit should be placed as far as possible from the cleaning site during operation.

22. To prevent accidental discharge, the spray gun should be secured by locking trigger when not in use.

23. Your pressure washer should never be operated under these conditions:

- a. Change in engine speed.
- b. Engine misfire.
- c. Excessive vibration
- d. Flame or smoke
- e. Enclosed compartment.
- f. Rain or inclement weather.

24. Do not run the pressure washer for more than five minutes without depressing the trigger or damage to the pump may result.
25. Check the fuel system periodically for leaks or signs of deterioration such as chafed or spongy hose, loose or missing clamps, or damaged tank or cap. All defects should be corrected before operation.
26. The pressure washer should be operated, serviced, and refueled only under the following conditions:
 - a. Good ventilation - avoid areas where vapors may be trapped such as pits, basements, cellars, excavations, and boat bilges. Air flow and temperatures are important for air cooled units. Temperatures should not exceed 100 degrees F (40 degrees C).
 - b. Dangerous exhaust gases should be piped from enclosed areas. The engine exhaust contains carbon monoxide, a poisonous, odorless, invisible gas which, if breathed, causes serious illness and possible death.
 - c. Refuel the pressure washer in a well lighted area. Avoid fuel spills and never refuel while the pressure washer is running.
 - d. Do not refuel near open flames, pilot lights, or sparking electrical equipment such as power tools, welders, and grinders.
 - e. The muffler and air cleaner must be installed and in good condition at all times as they function as flame arresters if backfiring occurs.
 - f. Do not smoke near the pressure washer.
27. Be careful not to come in contact with hot muffler.

2.0 SAFETY FEATURES

RECYCLING VALVE

The high pressure pump is fitted with a safety valve (recycling valve) which recycles the water inside the pump when the spray gun is closed or a nozzle is blocked.



CAUTION

CAUTION: The pump will overheat and may be damaged if allowed to recycle more than five minutes. This damage is not covered by the warranty.

THERMAL RELIEF VALVE (Model PW0843207 Only)

A thermal relief valve is provided to protect the pump from overheating if the spray gun is closed for an extended length of time or the nozzle becomes plugged. However, it is intended to be used as a backup system and every effort should be made to not permit the pump to heat up.

We recommend turning the pressure washer off if it will not be used for more than five minutes. This saves wear on the unit, reduces fuel consumption and extends life of the pump by avoiding heat.

PRESSURE GAUGE

The pressure gauge indicates the operating pressure of the pressure washer, as well as indicating possible problems. Pressure readings above the normal operating range may indicate a clogged nozzle or an obstruction in the high pressure outlet or hose.

SAFETY LOCK OFF LATCH

To prevent accidental discharge of high pressure water, the safety latch on the trigger should be engaged whenever the pressure washer is not in use. (Refer to Operating Instructions.)

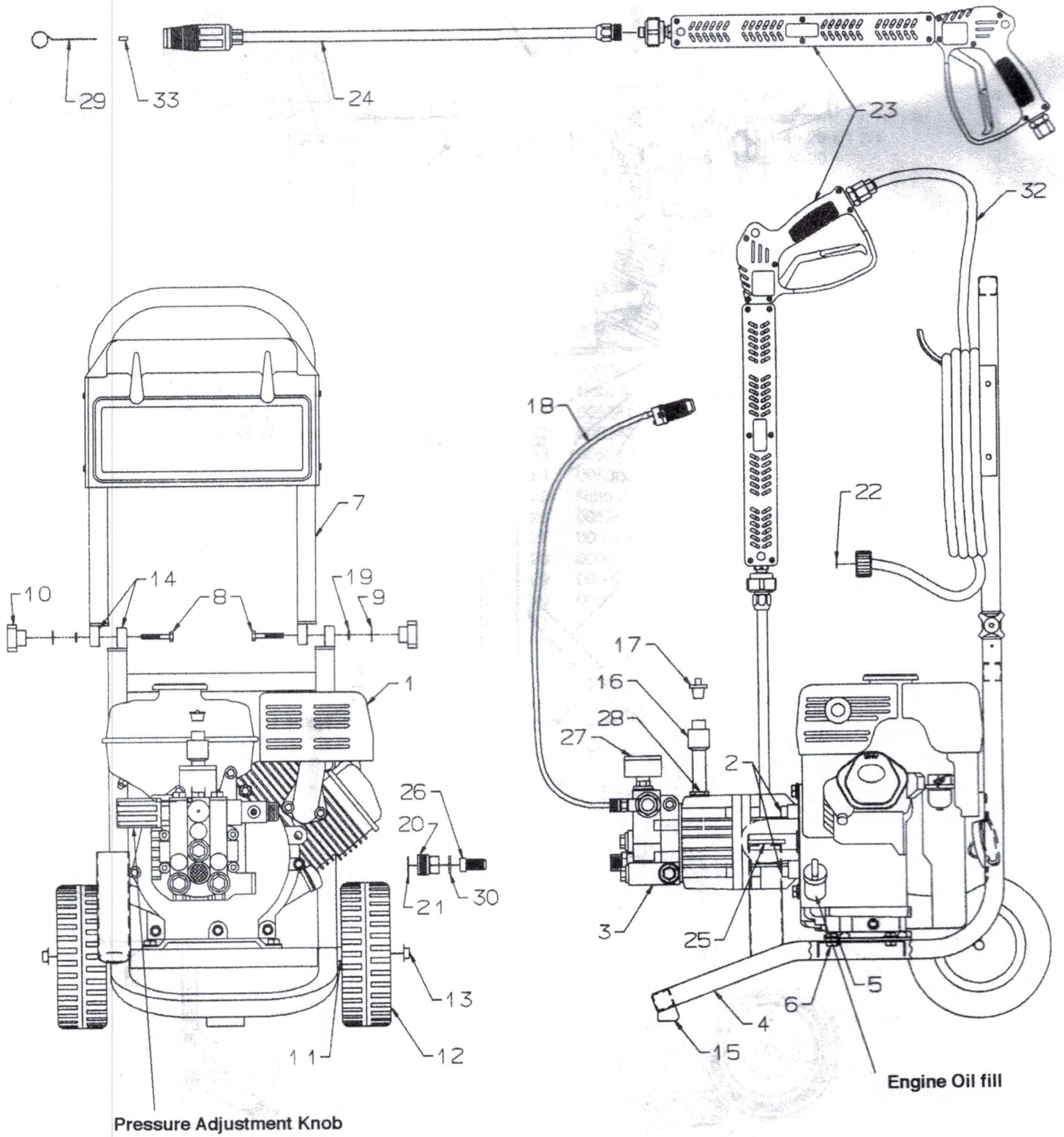
LOW-OIL SHUTDOWN

All engines are equipped with low-oil shutdown. If the engine oil level becomes lower than required, the pressure washer will automatically shut off. (Refer to the engine manual for this feature.) This protects your pressure washer engine from operating without proper lubrication.

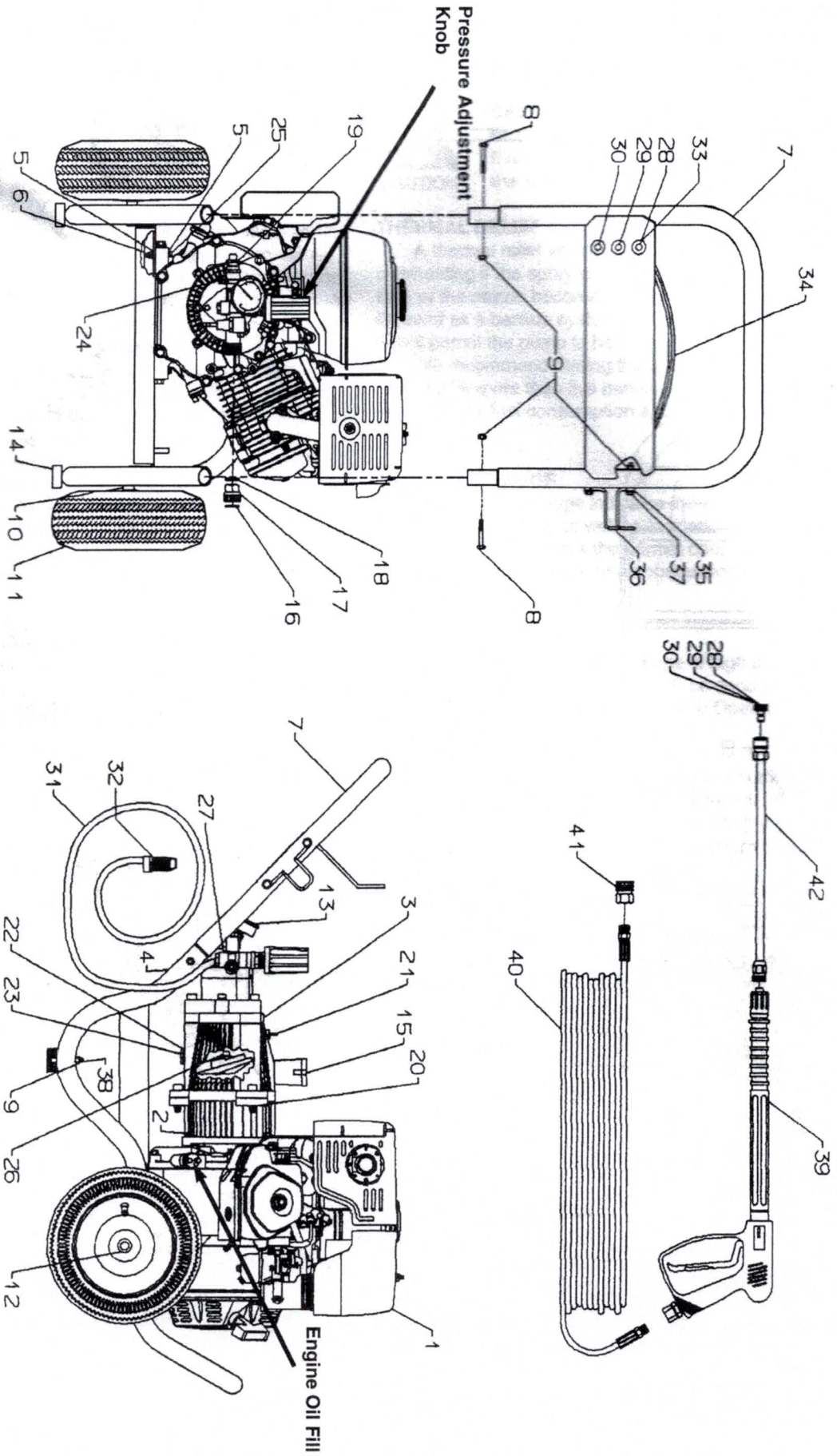
If the pressure washer engine shuts off and the oil level is according to specifications, check to see if pressure washer is sitting at an angle that forces oil to shift. Place on an even surface to correct this. If the engine fails to start, the oil level may not be sufficient to deactivate low oil level switch. Be sure pump is completely full of oil.



PARTS DRAWING - PW0832217



PARTS DRAWING - PW0843207



PARTS LIST - PW0832217

PARTS LIST - PW0843207

Item	Part No.	Description	Qty.	Item	Part No.	Description	Qty.
1	Note A	Engine, 6.5 hp Honda	1	1	Note A	Engine, 11 hp Honda	1
2	0000053	Screw, 5/16 - 24	4	2	0052180	Screw, Soc 3/8 - 16 x 1	4
3	0051064	Pump, AX100	1	3	0052920	Pump - 13	1
4	0051614	Assy, pressure washer cart	1	4	0052950	Assy, pressure washer cart	1
5	Note B	Bolt, 5/16 - 18 x 1 1/2	4	5	Note B	Washer, flat 5/16	8
6	0048736	Nut, nyloc 5/16 - 18	4	6	0048736	Nut, nyloc 5/16 - 18	4
7	0051051	Assy, pressure washer handle	1	7	0053038	Assy, pressure washer handle	1
8	Note B	Bolt, hex 1/4 - 20 x 1 1/2	2	8	Note B	Bolt, hex 1/4 - 20 x 1 3/4	2
9	Note B	Washer, flat 1/4	2	9	0040832	Nut, nyloc 1/4-20	4
10	0000048	Knob, clamping	2	10	0000349	Spacer, nylon	2
11	0000349	Spacer, nylon	2	11	0052367	Wheel, 10 1/2 diameter	2
12	0051040	Wheel, 2.75 x 8	2	12	0049752	Cap, axle	2
13	0052866	Cap, hub black	2	13	0052368	Gauge, pressure	1
14	0054141	Hinge	4	14	0052336	Foot	2
15	0000043.01	Foot, rubber	1	15	0052399	Oil fill, pump	1
16	0000067	Tube, pump oil fill	1	16	0000015	Screen, inlet	1
17	0000068	Cap, vented	1	17	0000021	Adapter, garden hose	1
18	0051077	Assy, injection tube	1	18	0000187	Gasket, garden hose adapter	1
19	Note B	Washer, lock 1/4	2	19	0000432.01	Quick connect, 3/8 NPT-M	1
20	0000021	Adapter, garden hose	1	20	Note B	Washer, lock 5/16	3
21	0000015	Screen, water inlet exterior	1	21	0052410	Dip stick	1
22	0000017	O-ring, high pressure hose	1	22	0052401	O-ring, oil plug	1
23	0053028	Gun and extension	1	23	0052400	Oil plug	1
24	0053792	Assy, wand & nozzle	1	24	0052453	Fitting, injector	1
25	0000047	Key, 3/16 x 3/16 x 1 1/2	1	25	Note B	Bolt, hex 5/16-18 x 1 3/4	4
26	0000016	Screen, water inlet cylinder	1	26	0052632	Screw, SHC 5/16 - 24 x 2 1/4	1
27	0051076	Gauge, pressure	1	27	0051613	Valve, thermal relief	1
28	0000069	Gasket, oil tube	1	28	0000442	Nozzle, soap injection (black)	1
29	0051311	Nozzle cleaner	1	29	0000440	Nozzle, 0 high (red)	1
30	0000187	Gasket, water inlet	1	30	0000441	Nozzle, 15 high (yellow)	1
32	0055183	Assy, hose	1	31	1130004750	Hose, soap injector	1
33	0053871	Nozzle insert	1	32	0051208	Strainer, soap	1
				33	0051985	Grommet	3
				34	1130418550	Molded rubber, 2'	1
				35	Note B	Washer, flat 1/4 - 20	2
				36	0052828	Bracket, gun support	1
				37	Note B	Bolt, hex 1/4 - 20 x 2	2
				38	Note B	Screw, hex 1/4 - 20 x 1 1/4	2
				39	0052375	Gun and extension	1
				40	0053405	Hose assembly	1
				41	0000433.01	Quick connect, 3/8 female	1
				42	0053135	Wand assembly	1

Note A: Coleman Powermate will not provide engines as replacement parts. Engines are covered through the engine manufacturer's warranty. Consult the accompanying engine manual or contact our service department for assistance.

Note B: These are standard parts available at your local hardware store.

3.0 BEFORE OPERATION

NOTE: The engine and pump on your Coleman Powermate Pressure Washer will often have improved performance after a break-in period of several hours.

Before starting the pressure washer, check for loose or missing parts and for any damage which may have occurred during shipment.

3.1 PRE-START PREPARATION

Model PW0832217 Only

Remove the bolts, nuts, flat washers and lock washer from the parts bag. Refer to the parts list and drawing on pages 5 and 7. Remove the handle (7) from the carton and position the handle so the hole in the hinge aligns with the hole in the hinge of the cart (4). Insert the 1/4" x 1 1/2" long bolts (8) from the inside, going thru the handle hinge first. Install the 1/4" flat washer (9), the 1/4" lock washer (19) and the knob (10). Tighten knob securely.

NOTE: FAILURE TO KEEP THE HANDLE UPRIGHT AND THE KNOBS TIGHT DURING OPERATION MAY RESULT IN DAMAGE TO THE HINGES.

The knobs may be loosened and the handle folded forward over the engine for storage. Do not allow the panel on the handle to touch the hot muffler.



CAUTION: Remove the plastic shipping plug from the pump oil fill tube and replace it with the vented cap provided or damage to your pump may occur.

Model PW0843207 Only Handle Installation

1. Remove bolts, nuts, nozzles and gun support from the parts bag. Refer to the parts list and drawing on pages 6 and 7.
2. Remove the handle from the carton and slide the reduced ends of the handle into the cart (4) tubes. (Make sure that the hose wrap panel is facing up.)
3. Place the appropriate nozzle by color in the grommets provided.
4. Securely fasten the handle to the cart using the 1/4-20 x 1 3/4" cap bolts (8) and the nyloc nuts (9), with the nuts on the inside.
5. Fasten the gun support ("U" side up) using the hex bolt 1/4-20 x 2" and nyloc nuts, nuts to the inside.

3.2 HOSE AND GUN ASSEMBLY

NOTE: Align threaded connections carefully to prevent damaging threads during assembly. Tighten connections securely to prevent leaks during operation

Attach the hose to the inlet of the trigger gun.

3.3 ENGINE LUBRICATION

DO NOT attempt to start the pressure washer engine without filling the engine crank case with the proper amount and type of oil. (See the accompanying engine manual for this information.) Your pressure washer engine has been shipped from the factory without oil in the engine crankcase. Operating the unit without oil can ruin the engine.

3.4 PUMP LUBRICATION

The pump has been shipped with oil. Before operating the pressure washer check the oil level of the pump.

Model PW0832217 Only

The oil level should be at the center of the sight glass on the side of the pump. Add SAE 15W-40 non-detergent oil if required. The pump oil capacity is 7-8 ounces.

Model PW0843207 Only

The oil level should be at the FULL MARK on the dipstick. Add SAE 80 weight oil or equivalent if required. **DO NOT OVERFILL!** The pump oil capacity is 14 ounces.

3.5 FUEL

Fill the tank with clean, fresh unleaded automotive gasoline. Regular grade gasoline may be used provided a high octane rating is obtained (at least 85 pump octane).



CAUTION: Do not overfill the tank. Keep maximum fuel level 1/4 inch below the top of the fuel tank. This will allow for expansion in hot weather and prevent overflow.



WARNING: Gasoline is very dangerous. Serious injury may result from fire caused by gasoline contacting hot surfaces.

4.0 OPERATING CONNECTIONS

4.1 HIGH PRESSURE HOSE (Model PW0832217 Only)

Attach the high pressure hose by carefully inserting the fitting with the o-ring into the high pressure outlet and tightening the threaded nut by hand.

(Model PW0843207 Only)

Attach the high pressure hose to the pressure washer by pulling back the collar on the quick disconnect coupling on the hose and pushing it over the coupling half on the pressure washer outlet.

NOTE: Only Coleman Powermate Pressure Washer high pressure hoses should be used

4.2 WATER CONNECTION

BEFORE CONNECTING TO UNIT, RUN WATER THROUGH THE GARDEN HOSE (NOT SUPPLIED) TO FLUSH OUT ANY FOREIGN MATTER. Check that the screen is clean and is in the inlet of the pump. Attach garden hose to the pressure washer water inlet



CAUTION: The water supply must provide a minimum of 4 g.p.m. at 20 p.s.i. or the pump will be damaged.

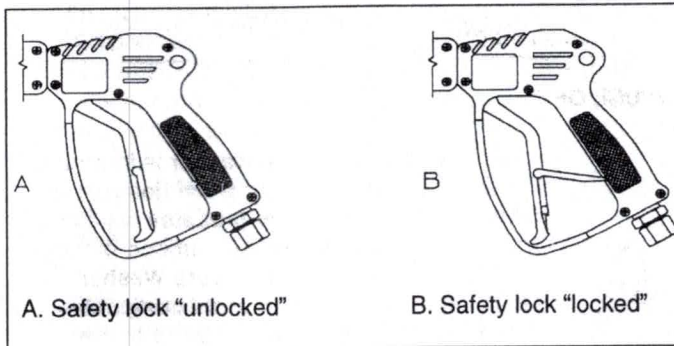
5.0 OPERATING INSTRUCTIONS



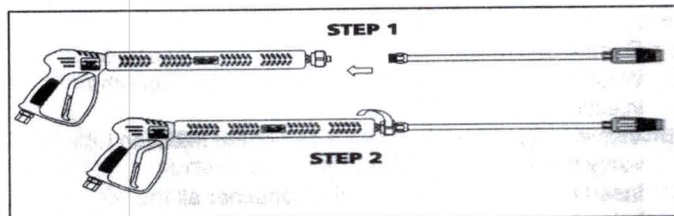
CAUTION: The pump will overheat and may be damaged if allowed to recycle more than five minutes. This damage is not covered by the warranty.

5.1 START-UP PROCEDURE

1. Make sure water supply is connected and turned on.
2. Release gun safety if locked.



3. To allow air to escape from the hose, squeeze trigger on the gun until there is a steady stream of water coming from the nozzle.
4. Remove any dirt or foreign matter from the gun outlet and the male connector of the wand.
5. Insert the nozzle wand into the gun wand and tighten the twistfast fitting securely by hand.



WARNING: If the wand is not securely locked into place, it could be ejected under high pressure when operating the gun, possibly causing injury or damage.

5.2 STARTING THE ENGINE

1. Check oil and fuel level.
2. Adjust choke prime as necessary.
3. Set the engine switch to the "ON" position.
4. Squeeze trigger on pressure washer to release pressure while pulling on the engine starter rope with a fast steady pull. Pressure may otherwise build up making starting the unit difficult.
5. As the engine warms up, readjust the choke.



WARNING: Provide adequate ventilation for toxic exhaust gases and cooling air flow.



WARNING: Make sure the wand is pointed in a safe direction when starting the pressure washer. Do not point at face or feet as serious injury could result.

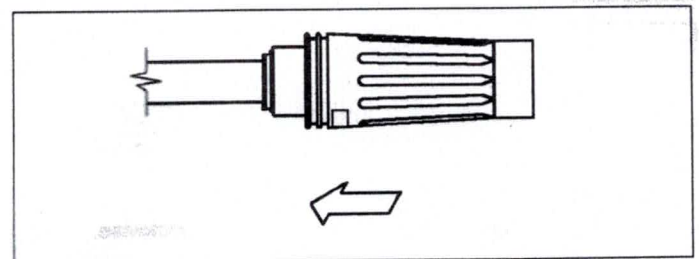
5.3 PRESSURE ADJUSTMENT

Model PW0832217 Only



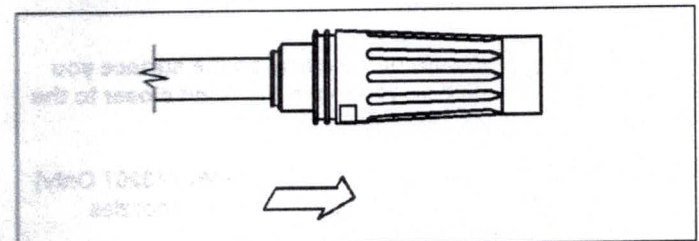
CAUTION: Do not move the nozzle to adjust pressure while the trigger is squeezed.

The high pressure nozzle position is intended for cleaning. When high pressure is required, grasp collar and slide the collar and nozzle toward the gun.



NOTE: Make sure the collar is pulled to the extreme rear position to lock the nozzle in the high pressure position.

When low pressure is required, grasp and slide the nozzle cover away from the gun.



Adjust the pressure knob located on the side of the pump counterclockwise to reduce the pressure and lower the power requirements of your pressure washer pump.

The pressure may also be regulated by the use of the engine throttle.

Model PW0843207 Only

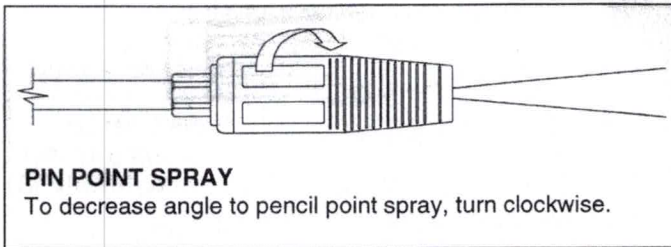
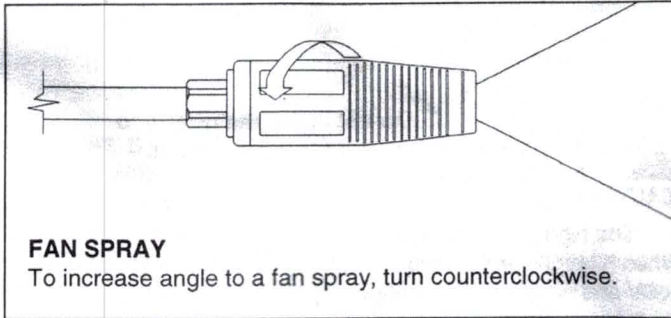
The pressure is adjustable by turning the pressure adjustment knob located on the pump of the pressure washer. The knob must be set at the extreme clockwise position for maximum pressure and turned several turns counter clockwise for minimum pressure.

NOTE: With the pressure adjustment knob turned to the maximum pressure position (clockwise), the pump pressure may exceed the rated pressure of the machine which could overload the engine. Adjust the knob counter clockwise to reduce the pressure and lower the power requirements of your pressure washer pump.

The pressure may also be regulated by the use of the engine speed.

5.4 ADJUSTABLE SPRAY NOZZLE (Model PW0832217 Only)

The adjustable spray nozzle can adjust spray from fan to pencil point in both the high and low pressure positions. The spray is adjusted by turning the nozzle cover.



CAUTION

CAUTION: The pencil point spray adjustment is very aggressive. We recommend that for most cleaning applications, a twenty degree (20°) spray angle be used to avoid damage to the surface being sprayed.

NOTE: The pressure of the spray on the surface you are cleaning increases as you move the wand closer to the surface.

5.5 SPRAY NOZZLE SELECTION (Model PW0843207 Only)

Following is information concerning the three nozzles provided with your pressure washer.

NOTE: The force of the spray on the surface you are cleaning increases as you move closer to the surface.

0° High Pressure (Red): The water stream discharged is very aggressive. Use with extreme caution to prevent damage to the surface being cleaned or injury to persons or animals.

15° High Pressure (Yellow): This is the nozzle used for most cleaning applications. It provides wide coverage and a powerful water stream.

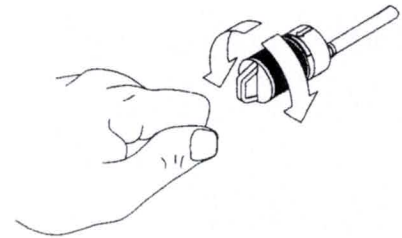
50° Low Pressure (Black): Provides low pressure spray and a wide coverage. Used primarily when operating the chemical injector to apply chemicals.

5.6 CHEMICAL INJECTION RATE ADJUSTMENT (Model PW0843207 Only)

Coleman Powermate Pressure Washer are designed to apply 0-4% dilution (injection) rate.

1. Visually inspect strainer at the end of the injection tube to verify that it is not clogged and not turned off.
2. Set chemical injection flow rate accordingly.

Turn clockwise to reduce chemical flow rate.



Turn counterclockwise to increase chemical flow rate.

5.7 USE OF CHEMICAL



CAUTION

CAUTION: This pressure washer is intended for use only with liquid car wash detergents, developed specifically for pressure washers and with mild soaps. We recommend the use of Coleman Powermate Pressure Washer Chemicals. Only use chemicals compatible with the aluminum and brass parts of the pressure washer. Powdered soaps may clog the injection system. Always use chemicals according to manufacturers directions. Coleman Powermate assumes no responsibility for any damages caused by chemicals injected through this pressure washer.

1. Attach injection tube assembly to the siphon injector on the pump.
2. Open a container of Coleman Powermate Pressure Washer Chemical and place next to the unit near the injection tube.
3. Visually inspect strainer at the end of the injection tube to verify that it is not clogged.
4. Insert the injection tube into the container all the way to the bottom.

(Model PW0832217 Only)

5. Move the adjustable nozzle forward to the low pressure position by sliding collar.

(Model PW0843207 Only)

5. Remove the high pressure nozzle from the wand and install the black injection nozzle. The solution will automatically be mixed with the water and discharged through the nozzle.

- NOTE:**
1. When the adjustable nozzle is moved to the high pressure position, chemical will not be discharged.
 2. If the engine throttle is not in the "fast" position, the injection of the solution may be decreased or stopped.

5.8 CLEANING TECHNIQUES

When cleaning with the pressure washer, many cleaning tasks can be solved with water alone, but for most tasks it is advantageous to use a detergent also. A detergent ensures a quick soaking of the dirt allowing the high pressure water to penetrate and remove the dirt more effectively.

Coleman Powermate Pressure Washer Chemicals are specially formulated to be used with your pressure washer.

APPLICATION OF SOAP OR DEGREASER

1. Apply the solution to a DRY work surface. **NOTE: WETTING THE SURFACE FIRST IS NOT RECOMMENDED, AS IT DILUTES THE DETERGENT AND REDUCES ITS CLEANING ABILITY.** On a vertical surface, apply horizontally from side to side starting from the bottom to avoid streaking.



CAUTION

CAUTION: Avoid working on hot surfaces or in direct sunlight to minimize the chances of the chemical damaging painted surfaces.

2. Allow chemical to remain on the surface for a short time before rinsing.



CAUTION

CAUTION: Damage may occur to painted surface if chemical is allowed to dry on the surface. Wash and rinse a small section at a time. Avoid working on hot surfaces or in direct sunlight.

3. Rinse with clean water under high pressure. On a vertical surface, first rinse from the bottom up, then rinse from the top down. Hold nozzle 6 to 8 inches from the work surface at a 45° angle using the flat spray as a peeling tool rather than a scrub brush.



CAUTION

CAUTION: Hold nozzle far enough away from surface to prevent damage to the surface.

APPLICATION OF WAX

1. Immediately after cleaning, apply Coleman Powermate Pressure Washer Wax. Place injection tube in container of wax.
2. Apply the wax sparingly in an even layer. Apply to wet surfaces from the bottom up for even distribution and to avoid streaking.
3. Remove the suction tube from the wax bottle and rinse off the surplus wax.

NOTE: IF SURPLUS WAX IS NOT REMOVED, A HAZY FINISH MAY RESULT.

4. Wipe dry to reduce water spotting.

5.9 END OF OPERATION

When you have completed use of the chemical injection system, remove tube from container. Continue to run in low pressure position and inject clean water through the tube and injection system until it is thoroughly cleaned.

NOTE: Failure to clean properly will cause the injection system to become clogged and inoperable.

- Stop the cleaning by turning the engine switch to the "OFF" position.
- Turn off water and depressurize unit by squeezing trigger on the gun.



WARNING

WARNING: Turn off water supply and squeeze trigger to depressurize the unit. Failure to do so could result in personal injury due to discharge of high pressure water.

- Disconnect the high pressure discharge hose and the water inlet hose.

6.0 USER MAINTENANCE

6.1 CONNECTIONS

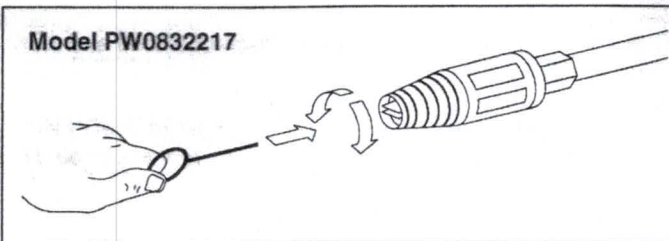
Connections on pressure washer hoses, gun and spray wand should be cleaned regularly and lubricated with grease to prevent leakage and damage to the o-rings.

6.2 NOZZLE

If the high pressure/low pressure adjustment of the nozzle becomes difficult, please contact Coleman Powermate Customer Service Department for proper cleaning and lubrication procedures.

Clogging of the nozzle causes the pump pressure to be too high and cleaning is immediately required.

1. Separate the wand from the gun.
2. Clear the nozzle with a small rigid piece of wire such as a paper clip. **Model PW0832217 has a Nozzle Cleaner included.**



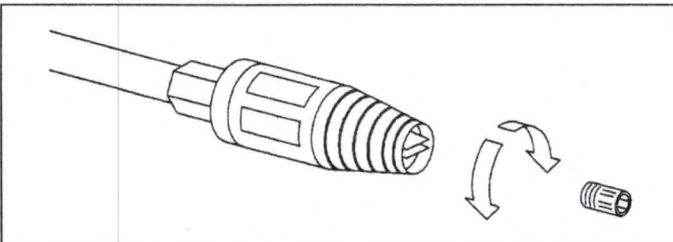
WARNING: The nozzle cleaner must only be used when the spray wand is disconnected from the gun or personal injury could result.

3. Flush the nozzle backwards with water.
4. Reconnect the wand to the gun.

Restart the pressure washer and depress the trigger on the spray gun. If the nozzle is still plugged or partially plugged, repeat above items 1-4.

Model PW0832217 Only

If the previous procedure does not clear the nozzle, insert a 2 mm allen wrench into the slot at the adjustable nozzle. Rotate counterclockwise to remove. Re-insert the nozzle after clearing or replace with a new one.



NOTE: If the nozzle is screwed in too far, it will prohibit shifting the nozzle to the high pressure position.

6.3 PUMP LUBRICATION (Model PW0832217 Only)

To extend the life of your pressure washer, change the pump oil after the first 5 hours of operation and every 50 hours thereafter. Drain the oil and refill with multigrade SAE 15W-40 non-detergent oil. SAE 30W oil may be used if the pump is completely drained and filled with fresh oil.

NOTE: IN CASE OF OIL LEAKAGE, CONTACT THE COLEMAN POWERMATE CUSTOMER SERVICE DEPARTMENT CONCERNING REPAIR. A SMALL AMOUNT OF OIL LEAKAGE IS NORMAL.

(Model PW0843207 Only)

The pump oil should be changed after the first 50 hours of operation, then at regular intervals of 500 hours or less depending on operating conditions. An oil such as SAE 80 weight or equivalent is required. Add oil to the pump so that the oil level is at the FULL MARK on the dipstick. **DO NOT OVERFILL!**

NOTE: The number of operating hours allowed between oil changes will be affected by conditions such as high ambient temperature, high humidity and severity of use (operating at maximum RPM and pressure for extended periods of time). You must decrease the number of hours between changes when operating under these conditions.

6.4 WATER SCREEN (Model PW0832217 Only)

The pressure washer is equipped with two water inlet screens to protect the pump.



CAUTION: If the screens are not kept clean, they will restrict the flow of water to the pressure washer and may cause damage to the pump.

- Remove exterior screen and backflush to remove impurities from screen. Replace immediately.
- To clean inner cylinder water screen, remove garden hose adapter and remove screen from pump inlet.
- Backflush screen to clean.
- Replace screen and garden hose adapter immediately to prevent any foreign matter entering the pump.



CAUTION: Do not damage the screen while removing or cleaning. Any foreign particles entering the pump may damage the pump.

(Model PW0843207 Only)

The pressure washer is equipped with a water inlet screen to protect the pump.



CAUTION

CAUTION:

- 1) If the screen is not kept clean, it will restrict the flow of water to the pressure washer and may cause damage to the pump.
- 2) Do not damage the screen while removing or cleaning screen. Any foreign particles entering the pump may damage the pump.
- 3) **DO NOT** operate pressure washer without the screen in place.

Remove the screen and backflush to remove impurities from screen. Replace immediately.

6.5 HINGE REPLACEMENT (PW0832217 Only)

To replace hinges, remove the handle. Rotate each hinge clockwise and drive out of the end of the tube. Install the new hinge by reversing this procedure.

6.6 ENGINE MAINTENANCE

During the winter months, rare atmospheric conditions may develop which will cause an icing condition in the carburetor. If this develops, the engine may run rough, lose power, and may stall. This temporary condition can be overcome by deflecting some of the hot air from the engine over the carburetor area.

NOTE: Refer to the engine manufacturer's manual for service and maintenance of the engine.

7.0 MOVING & STORAGE

7.1 PUMP STORAGE



CAUTION

CAUTION: Always store your pressure washer in a location where the temperature will not fall below 32° F. The pump in this machine is susceptible to permanent damage if frozen. **FREEZE DAMAGE IS NOT COVERED BY THE WARRANTY.**

If you must store your pressure washer in a location where the temperature is below 32° F, you can minimize the chance of damage to your machine by utilizing the following procedure:

1. Shut off water supply and relieve pressure in the spray gun by depressing the trigger. Disconnect the garden hose from the pressure washer, but leave the high pressure hose connected.
2. Tip the unit on its side with the inlet connection pointing up.
3. Insert a small funnel (to prevent spilling) into the inlet and pour in approximately 1/2 cup of antifreeze.
4. Disconnect spark plug wire.

5. Without connecting garden hose pull the recoil several times to circulate the antifreeze in the pump system. Continue to add antifreeze and pull the recoil until the antifreeze is expelled when the trigger is pulled. Disconnect the high pressure hose. The anti-freeze will serve as a rust preventative during storage and help prevent the pistons from sticking.
6. Turn the unit upright.

Another method of reducing risks of freeze damage is to drain your machine as follows:

1. Stop the pressure washer and detach supply hose and high pressure hose. Squeeze the trigger of the discharge gun to drain all water from the wand and hose.
2. Restart the pressure washer and let it run briefly (about 5 seconds) until water no longer discharges from the high pressure outlet.

7.2 ENGINE STORAGE

When the pressure washer is not being operated or is being stored more than one month, follow these instructions:

1. Replenish engine oil to upper level.
2. Drain gasoline from fuel tank, fuel line, fuel valve and carburetor.
3. Pour about one teaspoon of engine oil through the spark plug hole, pull the recoil starter several times and replace the plug. Then pull the starter slowly until you feel increased pressure which indicates the piston is on its compression stroke and leave it in that position. This closes both the intake and exhaust valves to prevent the inside of the cylinder from rusting.
4. Cover the pressure washer and store in a clean, dry place that is well ventilated away from open flame or sparks.

NOTE: The use of a fuel additive, such as STA-BIL[®], or an equivalent, will minimize the formulation of fuel gum deposits during storage. Such an additive may be added to the gasoline in the fuel tank of the engine, or to the gasoline in a storage container.

7.3 AFTER EXTENDED STORAGE



CAUTION

CAUTION: Prior to restarting, thaw out any possible ice from the pressure washer hoses, spray gun and wand.

8.0 TROUBLESHOOTING

PROBLEM	POSSIBLE CAUSE	CORRECTION
Engine will not start or stops while operating	Low-oil shutdown	Fill engine with oil
	Engine switch not "ON"	Turn switch "ON"
	Pressure build up in hose	Squeeze trigger
	Fuel	Refuel
	Sparkplug	Replace sparkplug
	Carburetor	Call Coleman Powermate Customer Service Department
Engine is overloaded	Nozzle partially blocked	Clean nozzle as instructed in Section 6.2
	Excessive pressure	Reduce pressure by using pressure adjustment knob. See Section 5.3
Water or oil leaking from bottom of pump	A small amount of leakage is normal	If excessive leaking occurs call Coleman Powermate Customer Service Department
Pressure increases when gun is closed	Bypass valve not operating properly	Call Coleman Powermate Customer Service Department
Engine running but pump not building maximum pressure or has irregular pressure	Faucet closed	Open faucet
	Unit has been stored in freezing temperatures	Thaw out unit completely including hose, gun and wand
	Inadequate water supply	Provide a minimum of 4 gpm at 20 psi
	Water inlet screen clogged	Clean screen. See Section 6.4
	Kink in garden hose	Straighten hose
	Wand nozzle worn or damaged	Replace nozzle. See Section 6.2
	Air in pump	Let pressure washer run with gun open and wand removed until steady stream of water is released
	Adjustable pressure knob not set to maximum position	Set to maximum position. See Section 5.3
	Suction or discharge valves clogged or worn out	Call Coleman Powermate Customer Service Department
	By-pass valve not operating effectively	Call Coleman Powermate Customer Service Department

PROBLEM	POSSIBLE CAUSE	CORRECTION
No intake of chemicals	Injection tube not securely inserted into unit	Push firmly into injector
	Tube cracked or split	Replace tubing
	Wrong nozzle	Switch to low pressure nozzle
	Injector turned off	Turn collar counter clockwise. See Section 5.5
	Injection tube strainer clogged	Clean strainer
	Nozzle blocked	Clean nozzle. See Section 6.2
	Dried chemicals in injector	Dissolve by running warm water through the injection tube
Trigger will not move	Gun safety lock engaged	Release safety lock
Water in crankcase	High humidity	Change oil more frequently
	Worn seals	Call Coleman Powermate Customer Service Department
Noisy operation	Worn bearings	Call Coleman Powermate Customer Service Department
	Air mixed with water	Check inlet lines for restrictions and/or proper sizing. Also see Section 5.1
Rough/pulsating operation with pressure drop	Worn packing	Call Coleman Powermate Customer Service Department
	Inlet restriction	Check system for stoppage, air leaks, correctly sized inlet plumbing to pump
	Unloader	Check unloader for proper operation
	Air mixed in water	Check inlet lines for restrictions and/or proper sizing. Also see Section 5.1
High crankcase temperatures	Wrong grade of oil	Use recommended oil
	Improper amount of oil in crankcase	Adjust oil level to proper amount

NOTE: The engine and pump on your Coleman Powermate Pressure Washer will often have improved performance after a break-in period of several hours.

9.0 TECHNICAL DATA

Model PW0832217

Part Number	PW0832217
Pump Pressure	100-2200 p.s.i.
Engine	6.5 hp. Honda
Engine Speed, No Load	3800 r.p.m.
High Pressure Hose	50 ft.
Flow Rate at Rated Pressure	3.4 g.p.m.
Maximum Flow Rate	3.6 g.p.m.
Pressure of Inlet Water	20 -100 p.s.i.
Injection Rate	0 -4% Adjustable
Inlet Water	Cold Tap Water
Nozzle Spray Angle (High Pressure)	0 - 60°
Nozzle Spray Angle (Low Pressure)	0 - 90°
Pump Oil	SAE 15W-40 Non-Detergent
Pump Oil Capacity	7-8 ounces

Model PW0843207

Part Number	PW0843207
Pump Pressure	100-3200 p.s.i.
Engine	11 hp. Honda
Engine Speed, No Load	3800 r.p.m.
High Pressure Hose	50 ft.
Flow Rate at Rated Pressure	4.0 g.p.m.
Maximum Flow Rate	4.2 g.p.m.
Pressure of Inlet Water	20 -100 p.s.i.
Injection Rate	0 -4% Adjustable
Inlet Water	Cold Tap Water
Pump Oil	SAE 80W
Pump Oil Capacity	14 ounces

10.0 CUSTOMER SERVICE

Call our toll free number

1-800-445-1805

24 hours a day

to obtain warranty service information,
order replacement parts or accessories

or

for return authorization.

Please have the following information available:

1. Model No.
2. Serial No.
3. Date and where purchased.
4. Replacement numbers if you are ordering parts.

Coleman Powermate, Inc.

P. O. Box 6001

125 Airport Road

Kearney, NE 68848

Attention : Warranty Service Dept.

(308) 237-2181