

Owner's Manual



5.5 Horsepower

2400 PSI

2.2 GPM

PRESSURE WASHER

Model No.

919.769062

- **Safety Guidelines**
- **Assembly**
- **Operation**
- **Maintenance**
- **Storage**
- **Troubleshooting**
- **Repair Parts**
- **Español**



CAUTION: Read the Safety Guidelines and All Instructions Carefully Before Operating.

Sears, Roebuck and Co., Hoffman Estates, IL 60179 U.S.A.

Visit our Craftsman website: www.sears.com/craftsman

TABLE OF CONTENTS

WARRANTY	2
SPECIFICATION CHART	3
SAFETY GUIDELINES- DEFINITIONS	3
IMPORTANT SAFETY INSTRUCTIONS	3-7
BOX CONTENTS	7
ASSEMBLY	8
OPERATION	9-13
MAINTENANCE	13-16
STORAGE	17-18
TROUBLESHOOTING GUIDE	18-20
REPAIR PARTS	21-36
HOW TO ORDER REPAIR PARTS	Back Cover

WARRANTY

FULL ONE YEAR WARRANTY ON CRAFTSMAN HIGH PRESSURE WASHER

For one year from the date of purchase, when this Craftsman High Pressure Washer is maintained and operated according to the instructions in the owner's manual, Sears will repair, free of charge, any defect in material and workmanship. If your Craftsman Pressure Washer is used for commercial or rental purposes, this warranty applies only for 90 days from the date of purchase.

FULL TWO YEAR WARRANTY ON CRAFTSMAN ENGINE

For two years from the date of purchase, when this Craftsman engine is maintained and operated according to the instructions in the owner's manual, Sears will repair, free of charge, any defect in material and workmanship.

If your Craftsman engine is used for commercial or rental purposes, this warranty applies only for 90 days from the date of purchase. This warranty does not cover expendable items such as spark plugs and air filters, which become worn during normal use.

Repairs necessary because of operator abuse or negligence, including damage resulting from no water being supplied to pump or failure to maintain the equipment according to the instructions contained in the owner's manual, are not covered under warranty.

WARRANTY SERVICE IS AVAILABLE BY RETURNING THE HIGH PRESSURE WASHER TO THE NEAREST SEARS SERVICE CENTER THROUGHOUT THE UNITED STATES. This warranty gives you specific legal rights and you may also have other rights, which vary from state to state.

Sears, Roebuck and Co., D/817 WA, Hoffman Estates, IL 60179

SPECIFICATION CHART

Model No.	919-769062
Pressure Washer	
Pressure	2400 PSI
Flow Rate	2.2 GPM
Cleaning Units (PSI x GPM)	5280
Engine	
RPM	3600
Rated Horsepower	5.5
Spark Plug Gap	.030" (0.76mm)
Gasoline Capacity	.29 gallons (1.1 liters)
Oil .58 quarts (.55 liters) capacity	SAE 30 weight

SAFETY GUIDELINES / DEFINITIONS

This manual contains information that is important for you to know and understand. This information relates to protecting YOUR SAFETY and PREVENTING EQUIPMENT PROBLEMS. To help you recognize this information, we use the symbols below. Please read the manual and pay attention to these sections.

▲ DANGER indicates an imminently hazardous situation which, if not avoided, will result in death or serious injury.

▲ WARNING indicates a potentially hazardous situation which, if not avoided, could result in death or serious injury.

▲ CAUTION indicates a potentially hazardous situation which, if not avoided, may result in minor or moderate injury.

CAUTION used without the safety alert symbol indicates potentially hazardous situation which, if not avoided, may result in property damage.

CONSUMER SAFETY INFORMATION



▲ WARNING This product may not be equipped with a spark arresting muffler. If the product is not equipped and will be used around flammable materials, or on land covered with materials such as agricultural crops, forest, brush, grass, or other similar items, then an approved spark arrester must be installed and is legally required in the state of California. It is a violation of California statutes section 130050 and/or sections 4442 and 4443 of the California Public Resources Code, unless the engine is equipped with a spark arrester, as defined in section 4442, and maintained in effective working order. Spark arresters are also required on some U.S. Forest Service land and may also be legally required under other statutes and ordinances.


▲ WARNING Engine exhaust contains chemicals known, in certain quantities, to cause cancer, birth defects or other reproductive harm.


IMPORTANT SAFETY INSTRUCTIONS


▲WARNING Read Operators Manual. Do not operate equipment until you have read operators Manual for Safety, Assembly, Operation, and Maintenance Instructions.


READ AND SAVE THESE INSTRUCTIONS

HAZARD	
<div style="display: flex; justify-content: space-between; align-items: center;"> <div style="border: 1px solid black; padding: 2px;"> ▲DANGER </div> <div style="flex-grow: 1;"> RISK OF EXPLOSION OR FIRE </div> <div style="text-align: right;">   </div> </div>	
WHAT CAN HAPPEN	HOW TO PREVENT IT
<ul style="list-style-type: none"> Spilled gasoline and it's vapors can become ignited from cigarette sparks, electrical arcing, exhaust gases, and hot engine components such as the muffler. Heat will expand fuel in the tank which could result in spillage and possible fire explosion. Operating the pressure washer in an explosive environment could result in a fire. Materials placed against or near the pressure washer can interfere with its proper ventilation features causing overheating and possible ignition of the materials. Muffler exhaust heat can damage painted surfaces, melt any material sensitive to heat (such as siding, plastic, rubber, or vinyl), and damage live plants. Improperly stored fuel could lead to accidental ignition. Fuel improperly secured could get into the hands of children or other unqualified persons. Use of acids, toxic or corrosive chemicals, poisons, insecticides, or any kind of flammable solvent with this product could result in serious injury or death. 	<ul style="list-style-type: none"> Shut off engine and allow it to cool before adding fuel to the tank. Use care in filling tank to avoid spilling fuel. Move pressure washer away from fueling area before starting engine. Keep maximum fuel level ½" below top of tank to allow for expansion. Operate and fuel equipment in well ventilated areas free from obstructions. Equip areas with fire extinguisher suitable for gasoline fires. Never operate pressure washer in an area containing dry brush or weeds. Always keep pressure washer a minimum of four feet away from surfaces (such as houses, automobiles, or live plants) that could be damaged from muffler exhaust heat. Store fuel in an OSHA approved container, in a secure location away from work area. Do not spray flammable liquids.

HAZARD	
<div style="display: flex; justify-content: space-between; align-items: center;"> <div style="border: 1px solid black; padding: 2px;"> ▲DANGER </div> <div style="flex-grow: 1;"> RISK TO BREATHING </div> <div style="text-align: right;">  </div> </div>	
WHAT CAN HAPPEN	HOW TO PREVENT IT
<ul style="list-style-type: none"> Breathing exhaust fumes will cause serious injury or death! Some cleaning fluids contain substances which could cause injury to skin, eyes, or lungs. 	<ul style="list-style-type: none"> Operate pressure washer in a well ventilated area. Avoid enclosed areas such as garages, basements, etc. Never operate unit in a location occupied by humans or animals. Use only cleaning fluids specifically recommended for high pressure washers. Follow manufacturers recommendations. Do not use chlorine bleach or any other corrosive compound.

HAZARD	
<div style="display: flex; justify-content: space-between; align-items: center;"> <div style="background-color: black; color: white; padding: 5px;">▲ DANGER</div> <div style="text-align: center;"> RISK OF INJURY OR PROPERTY DAMAGE WHEN TRANSPORTING OR STORING </div> <div style="text-align: right;">  </div> </div>	
WHAT CAN HAPPEN	HOW TO PREVENT IT
<ul style="list-style-type: none"> Fuel or oil can leak or spill and could result in fire or breathing hazard, serious injury or death can result. Fuel or oil leaks will damage carpet, paint or other surfaces in vehicles or trailers. 	<ul style="list-style-type: none"> If pressure washer is equipped with a fuel shut-off valve, turn the valve to the off position before transporting to avoid fuel leaks. If pressure washer is not equipped with a fuel shut-off valve, drain the fuel from tank before transporting. Only transport fuel in an OSHA approved container. Always place pressure washer on a protective mat when transporting to protect against damage to vehicle from leaks. Remove pressure washer from vehicle immediately upon arrival at your destination.

HAZARD	
<div style="display: flex; justify-content: space-between; align-items: center;"> <div style="background-color: black; color: white; padding: 5px;">▲ DANGER</div> <div style="text-align: center;"> RISK TO FLUID INJECTION </div> <div style="text-align: right;">  </div> </div>	
WHAT CAN HAPPEN	HOW TO PREVENT IT
<ul style="list-style-type: none"> Your washer operates at fluid pressures and velocities high enough to penetrate human and animal flesh, which could result in amputation or other serious injury. Leaks caused by loose fittings or worn or damaged hoses can result in injection injuries. DO NOT TREAT FLUID INJECTION AS A SIMPLE CUT! See a physician immediately! Injuries can result if system pressure is not reduced before attempting maintenance or disassembly. 	<ul style="list-style-type: none"> Never place hands in front of nozzle. Direct spray away from self and others. Make sure hose and fittings are tightened and in good condition. Never hold onto the hose or fittings during operation. Do not allow hose to contact muffler. Never attach or remove wand or hose fittings while system is pressurized. To relieve system pressure, shut off engine, turn off water supply, and pull gun trigger until water stops flowing. Use only hoses and accessories rated for pressure higher than your pressure washer's p.s.i.

HAZARD	
<div style="display: flex; justify-content: space-between; align-items: center;"> <div style="background-color: black; color: white; padding: 5px;">▲ WARNING</div> <div style="text-align: center;"> RISK OF CHEMICAL BURN </div> <div style="text-align: right;">  </div> </div>	
WHAT CAN HAPPEN	HOW TO PREVENT IT
<ul style="list-style-type: none"> Use of acids, toxic or corrosive chemicals, poisons, insecticides, or any kind of flammable solvent with this product could result in serious injury or death. 	<ul style="list-style-type: none"> Do not use acids, gasoline, kerosene, or any other flammable materials in this product. Use only household detergents, cleaners and degreasers recommended for use in pressure washers. Wear protective clothing to protect eyes and skin from contact with sprayed materials.

HAZARD

▲ DANGER

RISK OF UNSAFE OPERATION



WHAT CAN HAPPEN	HOW TO PREVENT IT
<ul style="list-style-type: none"> Unsafe operation of your pressure washer could lead to serious injury or death to you or others. If proper starting procedure is not followed, engine can kickback causing serious hand and arm injury. The spray gun/wand is a powerful cleaning tool that could look like a toy to a child. Reactive force of spray will cause gun/wand to move, and could cause the operator to slip or fall, or misdirect the spray. Improper control of gun/wand can result in injuries to self and others. 	<ul style="list-style-type: none"> Do not use chlorine bleach or any other corrosive compound. Become familiar with the operation and controls of the pressure washer. Keep operating area clear of all persons, pets, and obstacles. Do not operate the product when fatigued or under the influence of alcohol or drugs. Stay alert at all times. Never defeat the safety features of this product. Do not operate machine with missing, broken, or unauthorized parts. Never leave wand unattended while unit is running. If engine does not start after two pulls, squeeze trigger of gun to relieve pump pressure. Pull starter cord slowly until resistance is felt. Then pull cord rapidly to avoid kickback and prevent hand or arm injury. Keep children away from the pressure washer at all times. Do not overreach or stand on an unstable support. Grip gun/wand firmly with both hands. Expect the gun to kick when triggered.

HAZARD

▲ WARNING

RISK OF ELECTRICAL SHOCK



WHAT CAN HAPPEN	HOW TO PREVENT IT
<ul style="list-style-type: none"> Spray directed at electrical outlets or switches, or objects connected to an electrical circuit, could result in a fatal electrical shock. 	<ul style="list-style-type: none"> Unplug any electrically operated product before attempting to clean it. Direct spray away from electric outlets and switches.

HAZARD

▲ WARNING

RISK OF HOT SURFACES



WHAT CAN HAPPEN	HOW TO PREVENT IT
<ul style="list-style-type: none"> Contact with hot surfaces, such as engines exhaust components, could result in serious burn. 	<ul style="list-style-type: none"> During operation, touch only the control surfaces of the pressure washer. Keep children away from the pressure washer at all times. They may not be able to recognize the hazards of this product.

HAZARD

▲WARNING RISK OF INJURY FROM SPRAY



WHAT CAN HAPPEN

- High velocity fluid spray can cause objects to break, propelling particles at high speed.
- Light or unsecured objects can become hazardous projectiles.

HOW TO PREVENT IT

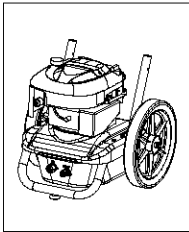
- Always wear ANSI approved Z87 safety glasses. Wear protective clothing to protect against accidental spraying.
- Never point wand at, or spray people or animals.
- Always secure trigger lock when wand is not in service to prevent accidental operation.
- Never permanently secure trigger in pull back (open) position.

▲CAUTION

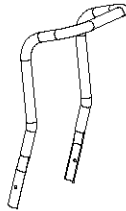
The powerful spray from your pressure washer is capable of causing damage to surfaces such as wood, glass, automobile paint, auto striping and trim, and delicate objects such as flowers and shrubs. Before spraying, check the item to be cleaned to assure yourself that it is strong enough to resist damage from the force of the spray. Avoid the use of the concentrated spray stream except for very strong surfaces like concrete and steel.

Operating without flow of water will result in equipment damage. Operating the pressure washer with water supply shutoff will void your warranty. You should never run this pressure washer for more than 2 minutes without pulling the trigger to allow cool water to enter the pump and the heated (recirculated) water to exit.

BOX CONTENTS



Engine Frame and Wheel Assembly



Handle
Part No. D22316

English/ Spanish Operator's Manual	Knobs Part No. 16471
	Saddle Bolts Part No. D23196
Allen Wrench Part No. 16797	Nozzle Cleaning Kit
Cleaning Tool Part No. NCT001	

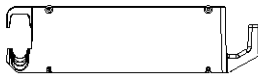
Bagged Parts



High Pressure
Hose
Part No. D22166



Chemical Hose
Part No. H140



Accessories Panel Part No. D21865
with Screws Part No. D22901



Engine Oil



Spray Gun
Part No. 17780

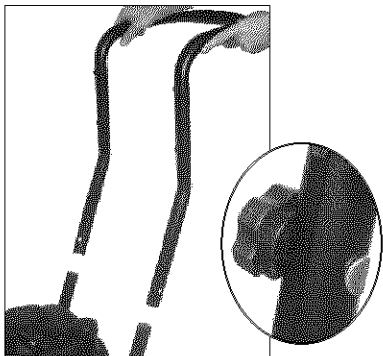


Multi-Adjustable Spray Wand
Part No. D23314

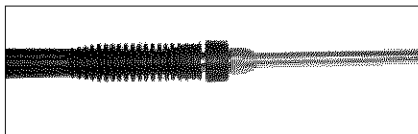
ASSEMBLY

1. Place handle assembly onto frame and connect handle to frame.

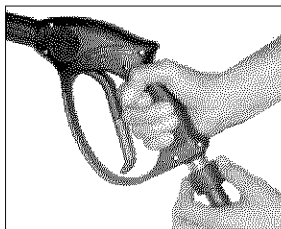
NOTE: Knobs are assembled to inside of frame.



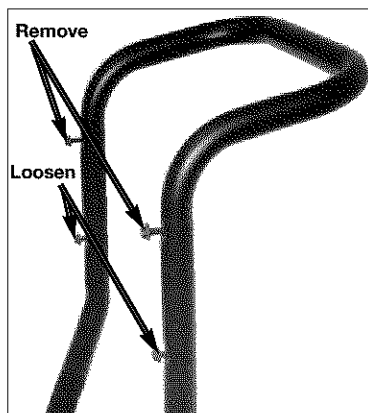
2. Connect wand to gun. Tighten securely.



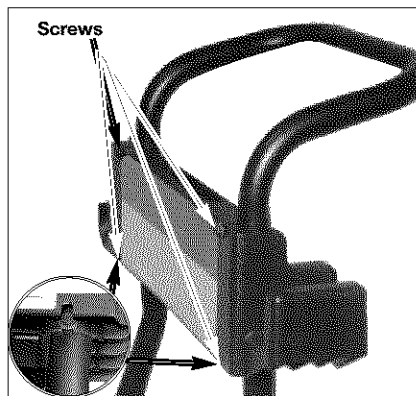
3. Attach high pressure hose to gun. Tighten securely.



5. To Assemble Accessories Panel
 - a. Remove top screws on handle assembly.
 - b. Loosen bottom screws on handle assembly.



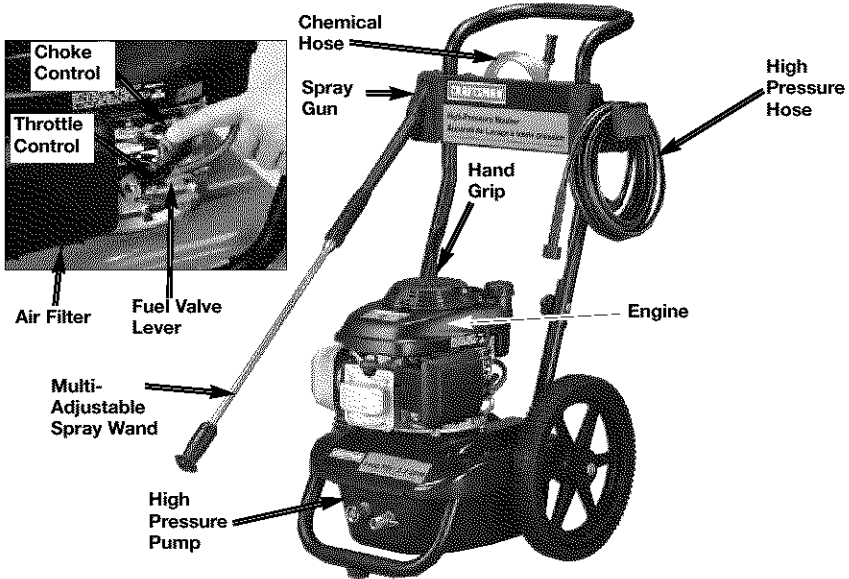
- c. Place grooves in accessories panel assembly onto screws and slide panel assembly into place.



- d. Place screws (removed earlier) into the top holes and secure accessories panel assembly to handles. Do not overtighten.

OPERATION

READ THIS OPERATION MANUAL AND SAFETY RULES BEFORE OPERATING YOUR UNIT. Compare the illustrations with your unit to familiarize yourself with the location of various controls and adjustments. Save this manual for future reference.



PRESSURE WASHER

High Pressure Pump (located inside the shroud): Increases the pressure of the water supply.

Engine: Drives the high pressure pump.

High Pressure Hose: Carries the pressurized water from the pump to the gun and spray wand.

Spray Gun: Connects with spray wand to control water flow rate, direction, and pressure.

Multi-Adjustable Spray Wand: Has a spray nozzle which adjusts from a pencil stream (0°) to a wide angle fan spray (40°). The spray can be adjusted by twisting the nozzle clockwise and/or counterclockwise. Also, the high and low pressure settings can be controlled by moving the nozzle in and out. See How To Use Spray Wand paragraph in this section.

Chemical Hose: Feeds cleaning agents into the pump to mix with the pressurized water. See How To Apply Chemicals/Cleaning Solvents in Operation section of this manual.

ENGINE

Choke Control: Opens and closes carburetor choke valve

Throttle Control Lever: Controls engine speed.

Starter Grip: Pulling starter grip operates recoil starter to crank engine.

Fuel Valve Lever: Opens and closes connection between fuel tank and carburetor.

PRESSURE WASHER TERMINOLOGY

PSI: Pounds per Square Inch. The unit of measure for water pressure. Also used for air pressure, hydraulic pressure, etc.

GPM: Gallons Per Minute. The unit of measure for the flow rate of water.

CU: Cleaning Units. GPM multiplied by PSI.

Bypass Mode: In Bypass Mode, the pump is recirculating water because the trigger of the spray gun is not pulled. If unit is left in bypass mode for more than two (2) minutes, the water temperature will rise to a dangerous level and could damage internal components of the pump. Any damage to pump due to these causes will not be covered under warranty.

CAUTION **DO NOT allow your unit to operate in bypass mode for more than two minutes at any time. Overheating of pump can cause damage to pump.**

Thermal Relief Valve: In an effort to prevent extreme damage, pumps are equipped with a thermal relief valve. This valve will open when the temperature inside the pump rises too high. This valve will then release a gush of water in an effort to lower the temperature inside the pump. Immediately after this occurs, the valve will close. The thermal relief valve is part of the pump and is not visible to the user.

Chemical Injection System: Mixes cleaners or cleaning solvents with the water to improve cleaning effectiveness.

Water Supply: All pressure washers must have a source of water. The minimum requirements for a water supply are 20 PSI and 5 gallons per minute.

HOW TO USE

IMPORTANT: Read and understand how to use the pressure washer before operating.

TO ADJUST PRESSURE

The pressure setting is preset at the factory to achieve optimum pressure and cleaning. If you need to lower the pressure, it can be accomplished by these methods.

1. **Back away from the surface to be cleaned.** The further away you are, the less the pressure will be on the surface to be cleaned.
2. **Rotate the nozzle at the end of the multi-adjustable spray wand to widen the fan spray.** The wider fan spray will minimize the pressure on the surface to be cleaned.

CAUTION **DO NOT attempt to increase pump pressure. A higher pressure setting than the factory set pressure may damage pump.**

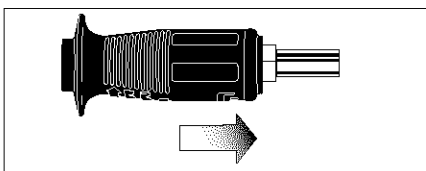
HOW TO USE SPRAY WAND:

Your pressure washer is equipped with a multi-adjustable spray wand with both high and low pressure settings. The high pressure setting is for cleaning and rinsing, the low pressure setting is for applying chemicals or cleaning solutions to surfaces.

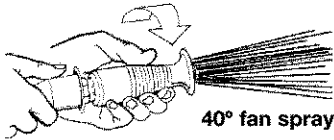
DANGER **When using the high pressure setting, DO NOT allow the jet-like spray to come in contact with unprotected skin, eyes, or with any pets or animals. Serious injury can occur.**

WARNING **Risk of injection or injury to person. DO NOT direct discharge stream toward persons.**

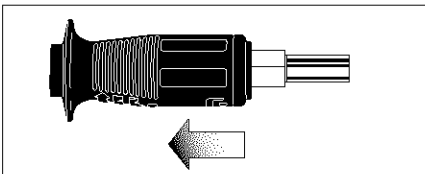
For high pressure operation, pull back the nozzle of the multi-adjustable spray wand as shown.



The nozzle at the end of the multi-adjustable spray wand can be rotated to change the high pressure spray pattern from a narrow jet to a 40° fan shape, as shown. Markings have been placed on the nozzle to help you select the spray pattern.



For low pressure operation, extend the nozzle of the multi-adjustable spray wand as shown.



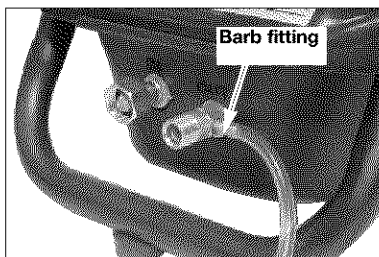
HOW TO APPLY CHEMICALS AND CLEANING SOLVENTS

Applying chemicals or cleaning solvents is a low pressure operation.

NOTE: Use only soaps and chemicals designed for pressure washer use. **Do not use bleach.**

To Apply chemicals:

1. Press chemical hose onto barbed fitting located near high pressure hose connection of pump as shown.



2. Place other end of chemical hose with filter on it into container holding chemical/cleaning solution. **NOTE:** The chemical/water ratio is 7:1, for every 7 gallons of water pumped 1 gallon of chemical/cleaning solution will be used.
3. Install low pressure (black) nozzle into quick connect fitting of spray wand, see How To Use Spray Wand paragraph in this section.
4. After use of chemicals, place chemical hose into container of clean water and draw clean water through chemical injection system to rinse system thoroughly. If chemicals remain in the pump it could be damaged. Pumps damaged due to chemicals will not be covered under warranty.

NOTE: Chemicals and soaps will not siphon when spray wand is in the high pressure setting.

TO SHUT DOWN

IMPORTANT: Read and understand how to shut down the pressure washer before operating.

1. If you have applied chemicals, place chemical hose into container of clean water and draw clean water through chemical injection system to rinse system thoroughly. **NOTE:** Failure to do so could cause damage to the pump.
2. Turn engine off by placing the throttle control in the OFF & position.

NOTE: NEVER turn the water off with the engine running.

3. Turn the fuel valve to the OFF position if engine will not be restarted soon.
4. Turn water source off.
5. Pull trigger on spray gun to relieve any water pressure in hose or spray gun.
6. See Storage section in this manual for proper storage procedures.

BEFORE STARTING

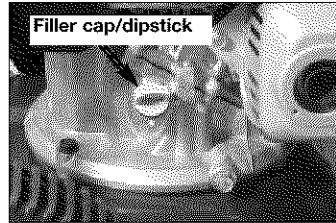
Read and understand all Important Safety Instructions in the front of this manual and the following Cautions and Warnings before starting the pressure washer.

▲WARNING

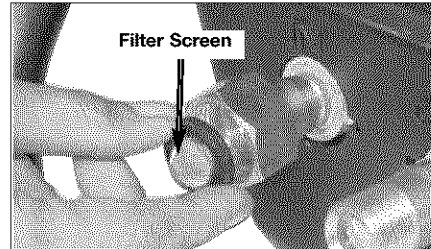
- Never fill fuel tank completely. Fill tank to 1/2" below bottom of filler neck to provide space for fuel expansion. Wipe any fuel spillage from engine and equipment before starting engine.
- Never fill fuel tank indoors. Never fill fuel tank when engine is running or hot. Do not smoke when filling fuel tank.
- Never run engine indoors or in enclosed, poorly ventilated areas. Engine exhaust contains carbon monoxide, an odorless and deadly gas.

CAUTION

- Never turn water supply off while pressure washer engine is running or damage to pump will result.
 - DO NOT use hot water, use cold water only.
 - DO NOT stop spraying water for more than two minutes at a time.
1. In a well ventilated outdoor area add fresh, high quality, unleaded gasoline with a pump octane rating of 86 or higher. Do not overfill. Wipe up spilled fuel before starting the engine. Refer to Engine Owners Manual for correct procedure.
 2. Remove filler cap/dipstick and add engine oil (supplied) to engine. **NOTE:** There will be a slight amount of oil in the engine from factory testing. Always check oil level before each start-up.

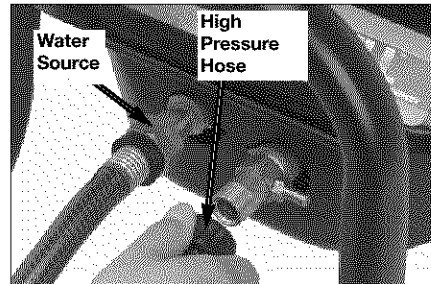


3. Verify the filter screen is in water inlet of pump. **NOTE:** Cone side faces out.



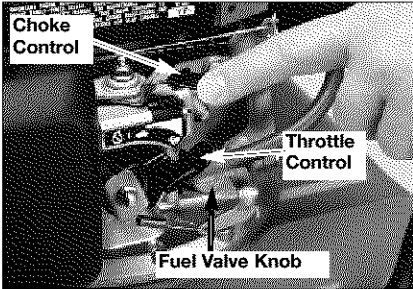
4. Connect high pressure hose to pump outlet.
5. Connect water source to pump inlet.

NOTE: Water source must provide a minimum of 5 gallons per minute at 20 p.s.i.



6. If you are applying a chemical or cleaning solution, See **How To Siphon Chemicals/Cleaning Solvents** in Operation section of this manual.
7. Turn water source on. **NOTE:** Failure to do so could cause damage to the pump.

- Turn fuel valve to the ON position, 1/4 turn counterclockwise.
- Move the choke control lever to the CHOKE ON **N** position and the throttle control to the FAST **F** position. **NOTE:** No choke is needed to start a warm engine.



- Pull starter grip slowly until you feel resistance, then pull briskly. Return starter grip gently. Pull rope with a rapid full arm stroke. Let rope rewind slowly. Repeat if necessary.

▲WARNING If the engine does not start after two pulls, pull the trigger to relieve the pressure.

- If the choke was used to start the engine, move the choke lever to the OFF position.
- Depress trigger on gun to start water flow. **NOTE: Stand on a stable surface** and grip gun/spray wand firmly with both hands. Expect the gun to kick back when triggered.
- Release trigger to stop water flow.
- Adjust nozzle spray for the task being performed. See **How To Use Spray Wand** instructions in this section.

▲WARNING **DO NOT** let hoses come in contact with very hot engine muffler during or immediately after use of your pressure washer.

MAINTENANCE

▲WARNING When performing maintenance, you may be exposed to hot surfaces, water pressure, or moving parts that can cause serious injury or death!

Before performing any maintenance or repair, disconnect spark plug wire, let engine cool and release all water pressure. The engine contains flammable fuel. **DO NOT** smoke or work near open flames while performing maintenance.

To ensure efficient operation and longer life of your pressure washer, a routine maintenance schedule should be prepared and followed. If the pressure washer is used in unusual conditions, such as high-temperatures or dusty conditions, more frequent maintenance checks will be required.

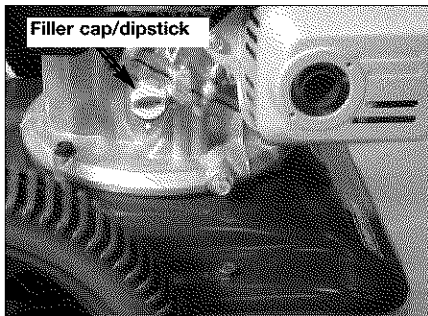
CUSTOMER RESPONSIBILITIES TABLE

MAINTENANCE TASK	Before each use	Every 25 hours or yearly	Every 50 hours or yearly	Every 100 hours or yearly
ENGINE				
check oil level	X			
change oil			X	
check air filter		X		
clean/replace spark plug				X
PRESSURE WASHER				
check/clean inlet screen	X			
check high pressure hose	X			
check soap and chemical hose and filter	X			
check gun and wand for leaks	X			
prepare for storage	Prepare unit for storage if it is to remain idle for longer than 30 days			

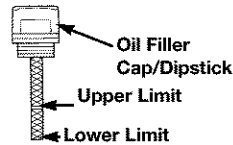
ENGINE

To Check Oil

1. Shut down engine and place on a level surface.
2. Remove filler cap/dipstick and wipe it clean.

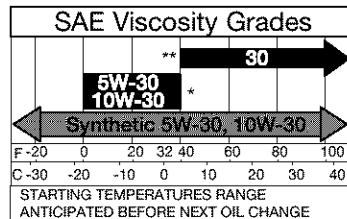


3. Insert and remove the filler cap/dipstick without screwing it into the filler neck. Check the oil level shown on the dipstick.



4. If the oil level is low, fill to the edge of the oil filler hole with the SAE 10W-30 oil.

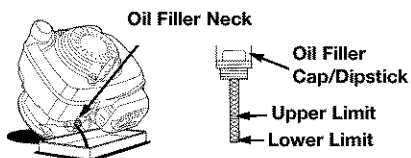
NOTE: Other viscosities shown in the chart may be used when the average temperature in your area is within the recommended range.



To Change Oil

Drain the engine oil when the engine is warm. Warm oil drains quickly and completely.

1. Turn the fuel valve to the OFF position, 1/4 turn clockwise.
2. Place a suitable container next to the engine to catch the used oil.
3. Remove filler cap/dipstick and drain the oil into the container by tipping the engine toward the oil filler neck.



NOTE: Please dispose of used motor oil in a manner that is compatible with the environment. It is recommended to take used oil in a sealed container to your local recycling center or service station for reclamation. Do not throw it in the trash or pour it on the ground or down a drain.

4. With the engine in a level position, fill to the upper limit mark on the dipstick with SAE 10W-30 oil. Engine oil capacity is 0.58 quart (.055 liter). **NOTE:** Other viscosities shown in the chart in the "To Check Oil" paragraph may be used.
5. Replace the oil filler cap/dipstick securely.

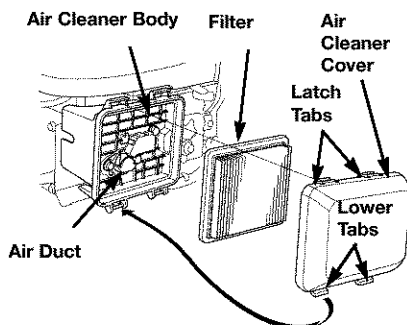
Air Cleaner

A dirty air cleaner will restrict air flow to the carburetor and cause poor engine performance. Inspect the filter each time the engine is operated. Clean the filter more frequently if the engine is operated in very dusty areas.

NOTICE: Operating the engine without a filter, will allow dirt to enter the engine, causing rapid engine wear. This type of damage is not covered under the warranty.

Inspect

1. Press the latch tabs on the top of the air cleaner cover and remove the cover. Check the filter to be sure it is clean and in good condition.
2. Reinstall the filter and air cleaner cover.

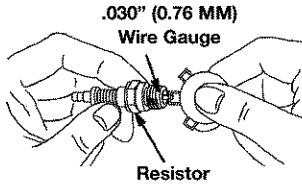


Cleaning

1. Tap the filter several times on a hard surface to remove dirt or blow compressed air [not exceeding 30 psi (207kPa, 1.2 kg/cm²)] through the filter from the clean side that faces the engine. Never try to brush off dirt. Brushing will force dirt into the fibers.
2. Wipe dirt from the air cleaner body and cover using a moist rag. Be careful to prevent dirt from entering the air duct that leads to the carburetor.

Clean and Replace Spark Plug

Change the spark plug every 100 hours of operation or once each year, whichever comes first. This will help your engine to start easier and run better.

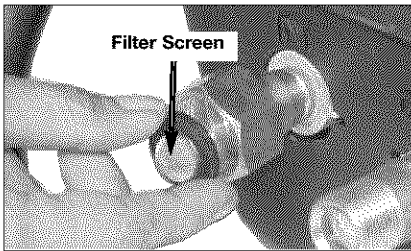


PUMP

This screen filter should be checked periodically and cleaned if necessary.

1. Remove filter by grasping end and removing it from water inlet of pump as shown.
2. Clean filter by flushing it with water on both sides.
3. Re-insert filter into water inlet of pump. **NOTE:** Cone side faces out.

NOTE: Do not operate pressure washer without filter properly installed.



WAND

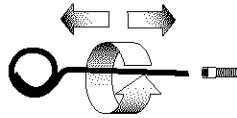
If the nozzle becomes clogged with foreign materials, such as dirt, excessive pressure may develop. If the nozzle becomes partially clogged or restricted, the pump pressure will pulsate. Clean the nozzle immediately using the nozzle kit supplied and the following instructions:

1. Shut off the pressure washer and turn off the water supply.
2. Disconnect spark plug wire.

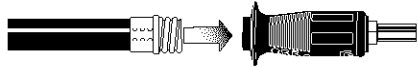
3. Pull trigger on gun handle to relieve any water pressure.
4. Disconnect the wand from the gun.
5. Remove the nozzle from the end of the wand with the 2mm allen wrench provided as shown.



6. Clean the nozzle using the nozzle cleaner provided or a straightened paper clip. Insert into the nozzle end and work back and forth until obstruction is removed.



7. Direct water supply into nozzle end to backflush loosened particles for 30 seconds.



8. Reconnect spark plug wire.
9. Reassemble the nozzle to the wand. Tighten securely to prevent leaks.
10. Reconnect wand to gun and turn on water supply.
11. Start pressure washer and place wand into high pressure setting to test.

STORAGE

ENGINE

IMPORTANT: It is important to prevent gum deposits from forming in essential fuel system parts such as the carburetor, fuel filter, hose or tank during storage. Also, experience indicates that alcohol-blended fuels (called gasohol or using ethanol or methanol) can attract moisture which leads to separation and formation of acids during storage. Acidic gas can damage the fuel system of an engine while in storage. To avoid engine problems, the fuel system should be emptied before storage of 30 days or longer. Never use engine or carburetor cleaner products in the fuel tank or permanent damage may occur.

Engine Preparation

1. First add a fuel stabilizer to the fuel tank.
2. Run pressure washer for a full 5 minutes to allow fuel stabilizer to enter the fuel system.

CAUTION While preparing the engine make sure water supply is turned on and flowing to the unit. NEVER run unit without water supply running through pump. Failure to do so will cause pump damage.

3. Next shut off engine and disconnect the water supply.
4. Disconnect the spark plug wire and remove the spark plug.
5. Add one teaspoon of oil through the spark plug hole.
6. Place rag over spark plug hole and pull the recoil a few times to lubricate the combustion chamber.
7. Replace the spark plug, but do not connect the spark plug wire.

PUMP

1. Drain all water from high pressure hose, coil it, and store it in cradle of the pressure washer handle.
2. Drain all water from spray gun and spray wand by holding spray gun in a vertical position with nozzle end pointing down and squeezing trigger. Store in gun/hose holder.
3. Store chemical hose, high pressure hose, spray gun, and spray wand so they are protected from damage, such as being run over.

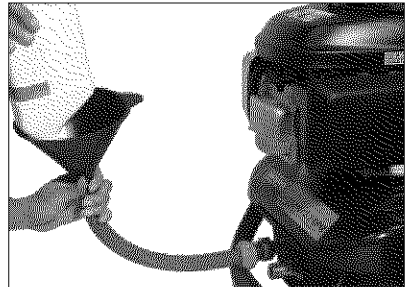
It is recommended that you follow these steps to protect the internal seals of the pressure washer when **STORING THE UNIT FOR MORE THAN 30 DAYS AND/OR WHEN FREEZING TEMPERATURES ARE EXPECTED.**

*RV antifreeze needs to be run through the pump as outlined in the steps below.

4. Obtain a funnel, six ounces of *RV antifreeze, and approximately 36 inches of garden hose with a male hose connector attached to one end.

CAUTION Use only RV antifreeze. Any other antifreeze is corrosive and can damage pump.

5. Disconnect spark plug wire.



6. Connect 36 inch length of hose to water inlet of pump.
7. Add *RV antifreeze to hose as shown.

8. Pull engine starter rope slowly several times until antifreeze comes out of high pressure hose connection of pump.
9. Remove short hose from water inlet of pump.

10. Reconnect spark plug wire.

**Windshield washer fluid may also be used*

TROUBLESHOOTING GUIDE

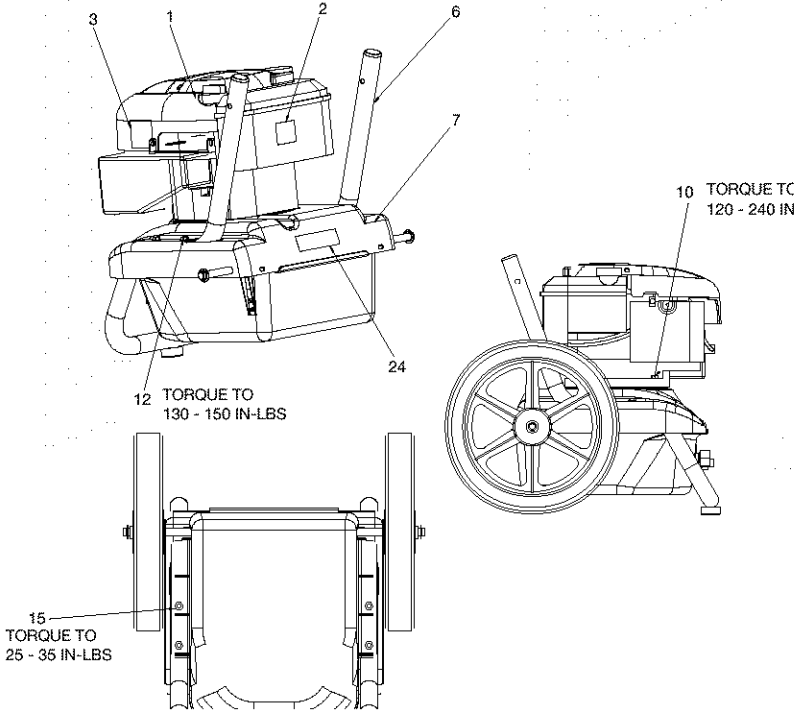
PROBLEM	CAUSE	CORRECTION
Engine will not start	<ol style="list-style-type: none"> 1. No fuel. 2. Pressure builds up after two pulls on the recoil starter or after initial use. 3. Not choked. 4. Spark plug wire not attached. 5. Choke lever in the "Choke" position on a "hot" engine or an engine that has been exposed to thermal heat for a long period of time. 6. Fuel valve closed 	<ol style="list-style-type: none"> 1. Add Fuel. 2. Squeeze gun trigger to relieve pressure. 3. Choke engine, place engine in the choke position. 4. Attach spark plug wire. 5. Move choke to the "No Choke" position. 6. Move the fuel valve knob to the "Open" position.
No or low pressure (initial use)	<ol style="list-style-type: none"> 1. Wand not in high pressure. 2. Low water supply. 3. Leak at high pressure hose fitting. 4. Nozzle obstructed. 5. Water filter screen clogged. 	<ol style="list-style-type: none"> 1. See How to Use Spray Wand paragraph in the Operation Section. 2. Water supply must be at least 5 GPM @ 20 PSI. 3. Tighten. Apply sealant tape if necessary. 4. See Spray Wand paragraph in the Maintenance section for the correct procedure. 5. Remove and clean filter.

PROBLEM	CAUSE	CORRECTION
<p>No or low pressure (initial use) (continued)</p>	<p>6. Air in hose.</p> <p>7. Choke lever in the "Choke" position.</p> <p>8. Throttle control lever is not in the "Fast" position.</p> <p>9. High pressure hose is too long.</p>	<p>6. Turn off the engine, then the water source. Disconnect the water source from the pump inlet and turn the water source on to remove all air from the hose. When there is a steady stream of water present, turn water source off. Reconnect water source to pump inlet and turn on water source. Squeeze trigger to remove remaining air.</p> <p>7. Move choke to the "No Choke" position.</p> <p>8. Move throttle control lever to the "Fast" position.</p> <p>9. Use high pressure hose under 100 feet.</p>
<p>Will not draw chemicals</p>	<p>1. Wand not in low pressure.</p> <p>2. Chemical filter clogged.</p> <p>3. Chemical screen not in chemical</p> <p>4. Chemical too thick</p> <p>5. Pressure hose is too long</p> <p>6. Chemical build up in chemical injector.</p>	<p>1. See Spray Wand paragraph in the Maintenance section for the correct procedure.</p> <p>2. Clean filter.</p> <p>3. Insure end of chemical hose is fully submerged into chemical.</p> <p>4. Dilute chemical. Chemical should be the same consistency as water.</p> <p>5. Lengthen water supply hose instead of high pressure hose.</p> <p>6. Have parts cleaned or replaced by AWSC.</p>

PROBLEM	CAUSE	CORRECTION
No or low pressure (after period of normal use.)	<ol style="list-style-type: none"> 1. Worn seal or packing. 2. Worn or obstructed valves. 3. Worn unloader piston. 	<ol style="list-style-type: none"> 1. Have replaced by AWSC. 2. Have replaced by AWSC. 3. Have replaced by AWSC.
Water leaking at gun/wand connection	<ol style="list-style-type: none"> 1. Worn or broken o-ring. 2. Loose hose connection. 	<ol style="list-style-type: none"> 1. Check and replace. 2. Tighten.
Water leaking at pump	<ol style="list-style-type: none"> 1. Loose connections. 2. Piston packings worn. 3. Worn or broken o-rings. 4. Pump head or tubes damaged from freezing. 	<ol style="list-style-type: none"> 1. Tighten. 2. Have replaced by AWSC. 3. Have replaced by AWSC. 4. Have replaced by AWSC.
Pump Pulsates	<ol style="list-style-type: none"> 1. Nozzle obstructed. 	<ol style="list-style-type: none"> 2. See Spray Wand paragraph in the Maintenance section for the correct procedure.

REPAIR PARTS

Pressure Washer Model Number 919.769062

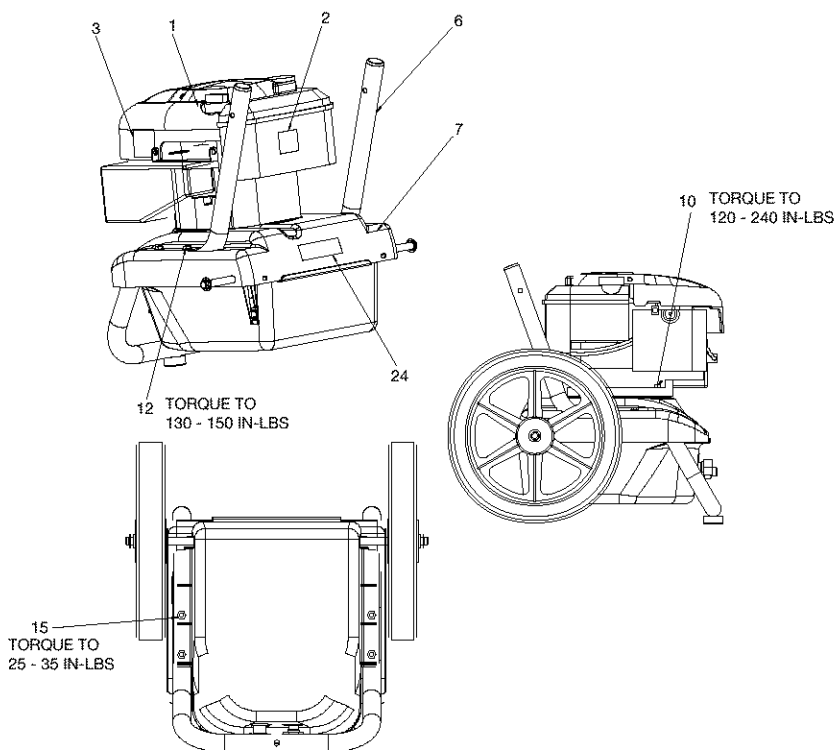


Key#	Part #	Description
4	*	Pump Kit
5	D27152	Screw, 5/16-24
9	D23099	Axle
13	16087	Nut, Flange
14	D22267	Plug
16	D21963	Wheel
17	D22268	Isolator
18	D23208	Screw, 1/4-20
19	W137	Pal Nut
23	D21630	Pump Shroud

* See Breakdown for individual Parts

REPAIR PARTS

Pressure Washer Model Number 919.769062



Key#	Part #	Description
1	*	Engine, Honda GCV160
2	17050	Label, Danger
3	D23125	Label, Hot Surface
6	D22908	Frame
7	D25074	Base
10	D22906	Screw, 5/16-18
12	D22308	Screw, 5/16-18
15	D22692	Nut, 5/16-18
24	D25087	Label, Warning

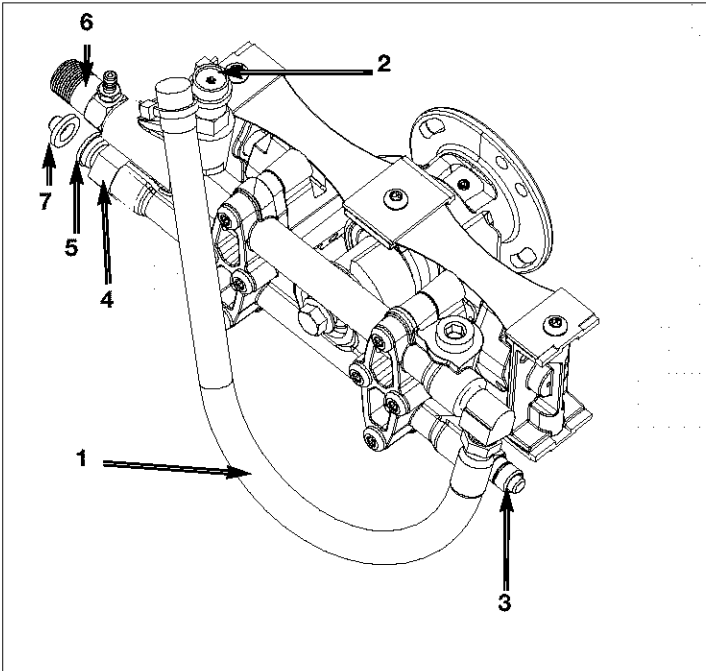
Not Shown

D28234	Manual, Owners
--------	----------------

* See Breakdown for individual Parts

REPAIR PARTS

Pressure Pump Model Number D29569



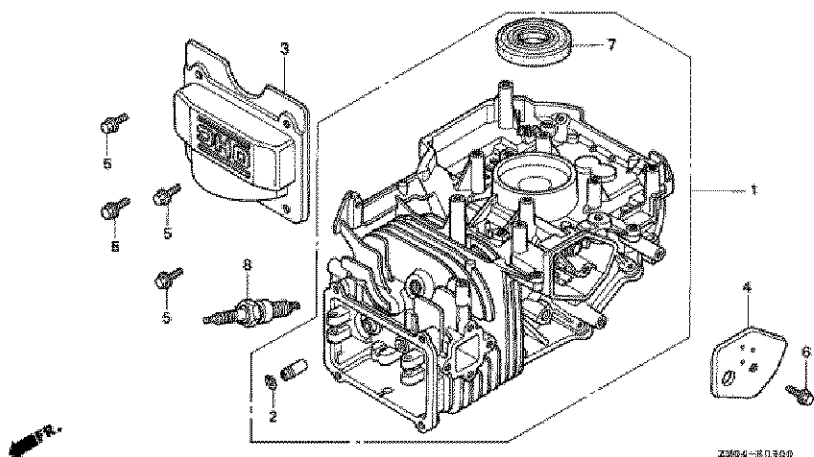
Key#	Part #	Description
1	D20998	Hose, 3/8 x 18"
2	16355	Unloader Assembly
3	16848	Thermal Relief Valve
4	H061	Swivel Nut, Garden Hose
5	H068	Swivel, 3/8"
6	V161	Chemical Injector
7	F187	Inlet ScreenFilter

Not Shown:
H140 Chemical Hose,

REPAIR PARTS

Honda Engine Model Number GCV160A

CYLINDER BARREL

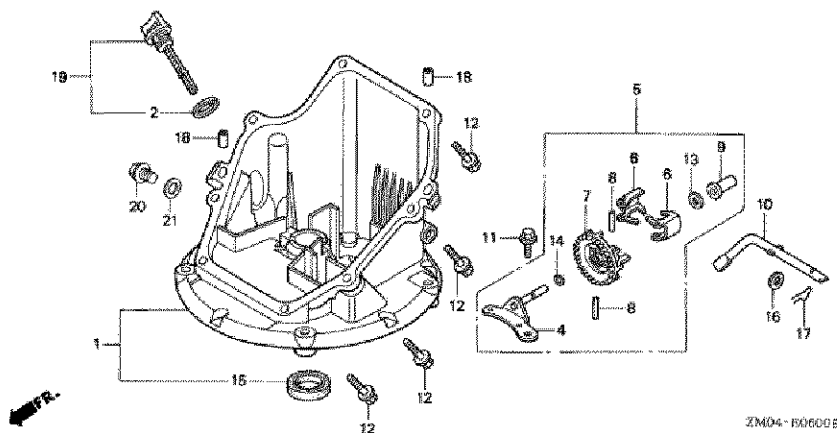


Ref	Description	Part Number	H/C	Qty
1	Cylinder Assembly	12000-ZL8-405	6315691	1
2	Clip, Valve Guide	12216-ZE5-300	2399780	1
3	Cover, Head	12311-ZL8-000	5579990	1
4	Cover, Breather (Breather Valve Assy)	12355-ZL8-000	5580006	1
5	Bolt, Flange (6x12) (CT200)	90013-883-000	0636845	4
6	Bolt, Flange (6x14)	90014-952-000	0803619	1
7	Oil Seal (25.4x62x6)	91201-ZL8-003	5581038	1
8	Spark Plug (BPR6ES)(NGK)	98079-56846	1441112	1

REPAIR PARTS

Honda Engine Model Number GCV160A

OIL PAN

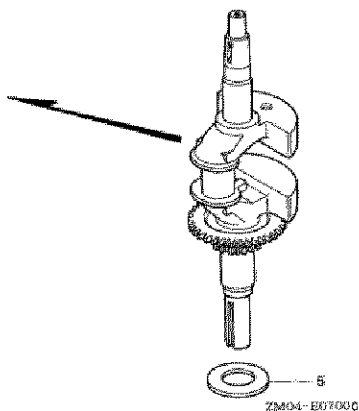
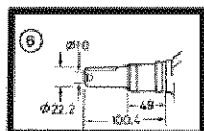


Ref	Description	Part Number	H/C	Qty
1	Pan Assembly, Oil (SAE)	11300-ZOL-820	6696686	1
2	Gasket, Oil Filler Cap	15625-ZE1-003	4497947	1
4	Shaft, Governor Holder	16508-ZM0-010	6384341	1
5	Governor Assembly	16510-ZM0-010	6384333	1
6	Weight Governor	16511-ZL8-000	5580287	2
7	Holder, Governor Weight	16512-ZM0-000	5580295	1
8	Pin, Governor Weight	16513-ZE1-000	1427244	2
9	Slider, Governor	16531ZE1-000	1427251	1
10	Shaft, Governor Arm	16541-ZM0-000	5580303	1
11	Bolt, Flange (6x14)	90014-952-000	0803619	1
12	Bolt, Flange (6x25)	90121-952-000	0748111	8
13	Washer, Thrust (28x41.25x6)	90451-ZE1-000	2413862	1
14	Clip, Governor Holder	90602-ze1-000	2456697	1
15	Oil Seal (28x41.25x6)	91202-ZM0-V31	6315865	1
16	Washer, Plain (6mm)	94101-06800	0345900	1
17	Pin, Lock (8mm)	94251-08000	0115527	1
18	Pin, Dowel 98c20)	94301-08200	1417369	2
19	Gauge Assy., Oil Level	15650-ZM0-003	5722996	1
20	Bolt, Drain Plug	90131-896-650	1986231	1
21	Washer, Drain Plug	94109-12000	0171868	1

REPAIR PARTS

Honda Engine Model Number GCV160A

CRANKSHAFT



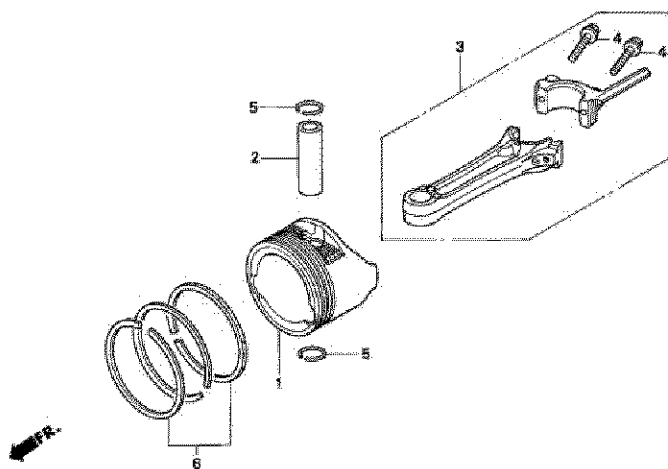
FR.

<u>Ref</u>	<u>Description</u>	<u>Part Number</u>	<u>H/C</u>	<u>Qty</u>
5	Washer, Thrust	90402-ZL8-000	5581012	1
6	Crankshaft	13310-Z0L-650	6696702	1

REPAIR PARTS

Honda Engine Model Number GCV160A

CRANKSHAFT

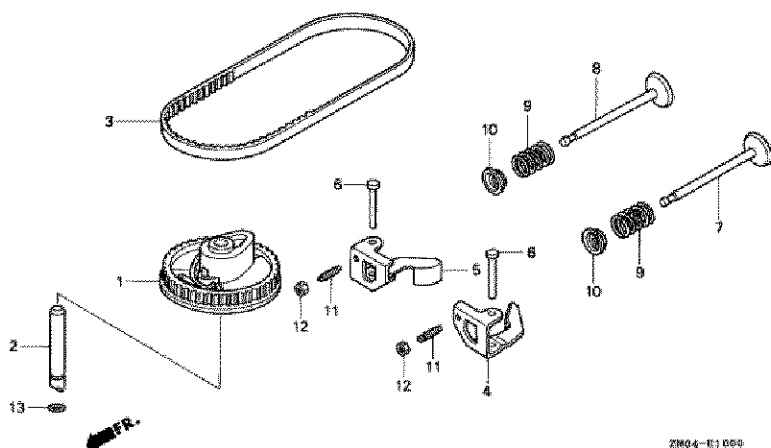


Ref	Description	Part Number	H/C	Qty
1	Piston	13101-ZL8-000	5580014	1
2	Pin, Piston	13111-ZE0-000	1426576	1
3	Rod Assy., Connecting	13200-ZL8-000	5580022	1
4	Bolt, Connecting Rod	90001-ZE1-000	1431055	2
5	Clip, Piston Pin (13mm)	90551-ZE0-000	2605517	2
6	Ring Set, Piston (TEIKOKU)	13010-ZL8-014	6315717	1

REPAIR PARTS

Honda Engine Model Number GCV160A

CRANKSHAFT PULLEY



ZM04-E1 000

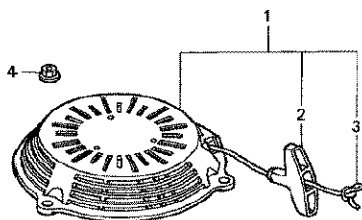
Ref	Description	Part Number	H/C	Qty
1	Pulley, Camshaft	14320-ZL8-000	5580055	1
2	Shaft, Cam Pulley	14324-ZL8-000	5580063	1
3	Belt, Timing (84HU7 G-200)	14400-Z0J-004	6637417	1
4	Arm, In. Valve Rocker	14431-ZL8-000	5580089	1
5	Arm, EX. Valve Rocker	14441-ZL8-000	5580097	1
6	Shaft, Rocker Arm	14461-ZL8-000	5580105	2
7	Valve, In.	14711-ZL8-000	5580113	1
8	Valve, Ex	14721-ZL8-000	5580121	1
9	Spring, Valve	14751-ZL8-000	5580139	2
10	Retainer, In. Valve Spring	14771-ZE1-000	1426980	2
11	Screw, Tappet Adj.	90012-333-000	0294819	2
12	Nut, Tappet Adj.	90206-001-000	0004598	2
13	O-Ring (6.8x1.9)	91301-ZM0-V31	6315873	1

REPAIR PARTS

Honda Engine Model Number GCV160A

CRANKSHAFT PULLEY

FR.



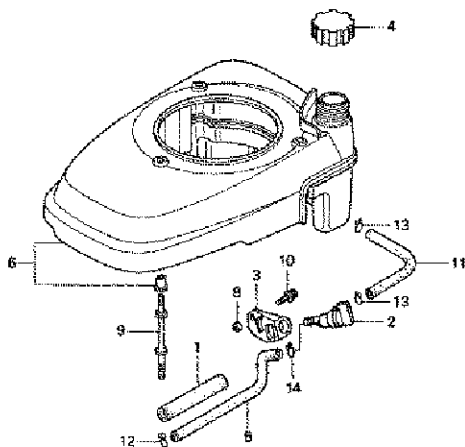
ZM04-E1100 A

<u>Ref</u>	<u>Description</u>	<u>Part Number</u>	<u>H/C</u>	<u>Qty</u>
1	Starter Assy., Recoil *NH1* (black)	28400-ZL8-013ZA	6061204	1
2	Knob, Recoil Starter	28461-ZL8-003	5580634	1
3	Rope, Recoil Starter	28462-ZL8-003	5611454	1
4	Nut, Flange (6mm)	90201-ZM0-000	6478812	3

REPAIR PARTS

Honda Engine Model Number GCV160A

FAN COVER



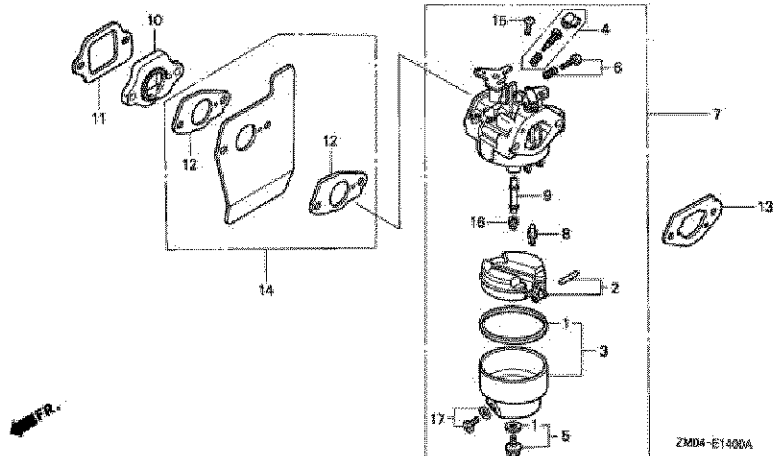
ZM04-E1200A

Ref	Description	Part Number	H/C	Qty
1	Rubber, Supporter (107mm)	16854-ZH8-000	3683646	1
2	Petcock Assy. (MAN)	16950-ZG9-M02	5028923	1
3	Bracket, Petcock	16956-ZM0-000	5580394	1
4	Cap Assy., Fuel Tank	17620-ZL8-013	6673289	1
5	Tube, Fuel	17702-ZM0-000	5580469	1
6	Cover, Fan *NH1*(black)	19610-ZM0-010ZA	6132989	1
8	Collar, Fr. Turn Signal	33600-GK4-620	2499440	1
9	Bolt, Stud	90043-ZL8-000	5581004	3
10	Screw-Washer (5x10)	93891-05010-08	0671636	1
11	Bulk Hose, Fuel (5.5x800) (5.5x150)	95001-55008-40M	2449593	1
12	Clip, Tube (B8)	95002-02080	0250647	1
13	Clip, Tube (B10)	95002-02100	0250985	2
14	Clip, Tube (C9)	95002-50000	0053447	1

REPAIR PARTS

Honda Engine Model Number GCV160A

CARBURETOR

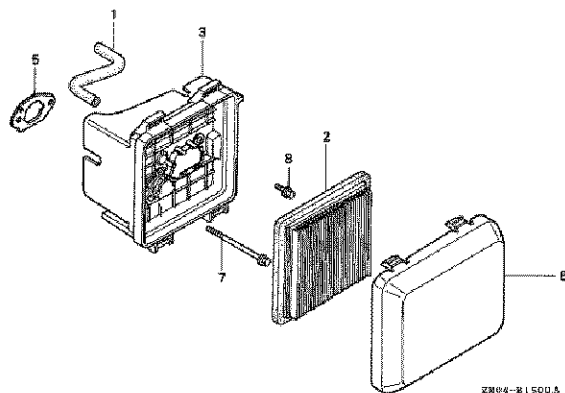


<u>Ref</u>	<u>Description</u>	<u>Part Number</u>	<u>H/C</u>	<u>Qty</u>
1	Gasket Set	16010-883-015	3088416	1
2	Float Set	16013-ZL1-003	5580162	1
3	Chamber Set, Float	16015-887-782	3465879	1
4	Screw Set	16016-ZG0-W00	4481818	1
5	Screw Set B	16028-ZE0-005	1441518	1
6	Screw Set	16029-ZG0-901	5580170	1
7	Carburetor Assembly (BB62B D)	16100-ZM0-803	6212849	1
8	Valve, Float	16155-ZM0-003	5580212	1
9	Nozzle, Main	16166-ZM0-003	5580220	1
10	Insulator, Carburetor	16211-ZL8-000	5580238	1
11	Gasket, Insulator	16212-ZL8-000	5580246	1
12	Gasket, Carburetor	16221-883-800	4581120	2
13	Gasket, Carburetor (Choke Side)	16228-ZL8-000	5580253	1
14	Guide, Air	19650-ZM0-000	5580535	1
15	Screw, Pan (5x6)	93500-05006-0H	0639419	1
16	Jet, Main (#60)	99101-124-0600	0635474	1
	Jet, Main (#62)	99101-124-0620	0635482	1
	Jet, Main (#65)	99101-124-0650	0636126	1
17	Screw Set, Drain	16024-ZE1-811	1672187	1

REPAIR PARTS

Honda Engine Model Number GCV160A

AIR CLEANER

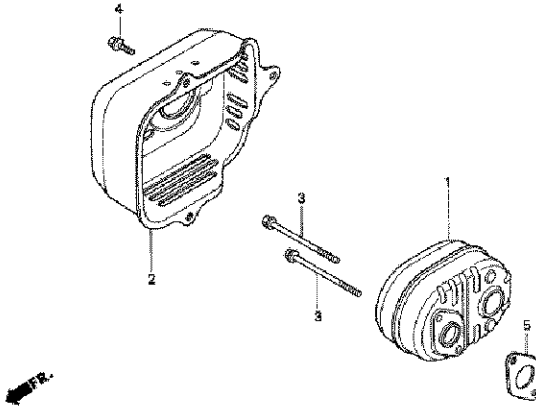


Ref	Description	Part Number	H/C	Qty
1	Tube Breather	15721-ZM0-000	5580154	1
2	Element, Air Cleaner	17211-ZL8-000	5580402	1
3	Case Assembly, Air Cleaner	17220-ZM0-000	5580410	1
5	Gasket, Air Cleaner	17228-ZM0-000	5664560	1
6	Cover, Air Cleaner	17231-X0L-000	6673255	1
7	Bolt, Flange (6x86) (CT200)	90003-Z0L-000	5580964	2
8	Bolt, Flange (6x14)	95701-06014-08	2374742	1

REPAIR PARTS

Honda Engine Model Number GCV160A

MUFFLER

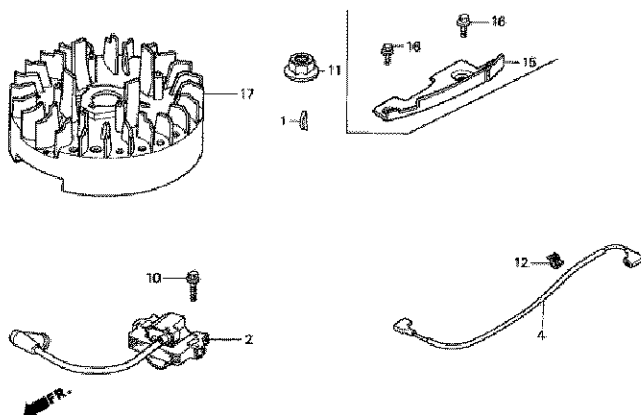


Ref	Description	Part Number	H/C	Qty
1	Muffler	18310-ZM0-000	5580485	1
2	Protector, Muffler	18321-ZL8-000	5580501	1
3	Bolt, Flange (6x79) (CT200)	90004-ZL8-000	5580972	2
4	Bolt, Flange (6x12) (CT200)	90013-883-000	0636845	3
5	Gasket, Muffler	18381-ZL8-305	5737457	1

REPAIR PARTS

Honda Engine Model Number GCV160A

FLYWHEEL



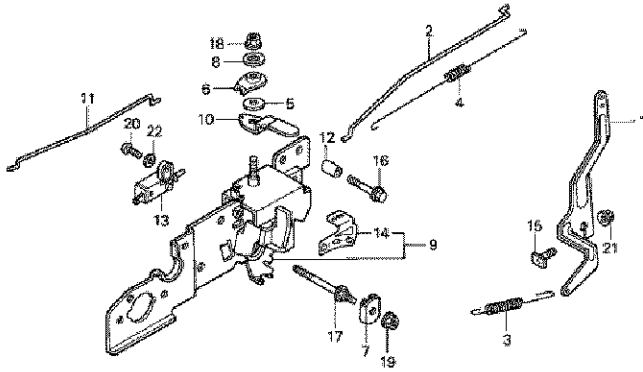
ZM04-E19008

Ref	Description	Part Number	H/C	Qty
1	Key, Special Woodruff (25x18)	13331-357-000	0348433	1
2	Coil Assembly, Ignition	30500-ZL8-004	5580659	1
4	Wire, Stop Watch	32195-ZM0-800	6315816	1
10	Bolt, Flange (6x20) (CT200)	90022-888-010	0671552	1
11	Nut, Special (14MM)	90201-878-003	0442038	1
12	Clip, Cable (A)	90681-959-003	1824630	1
15	Plate Side	19612-ZM0-000	6315782	1
16	Bolt, Flange (6x12) (CT200)	90013-883-000	0636845	2
17	Flywheel	31110-ZL8-004	5656053	1

REPAIR PARTS

Honda Engine Model Number GCV160A

CONTROL (2)



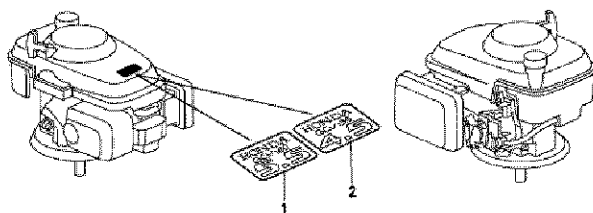
ZM04-E2201

Ref	Description	Part Number	H/C	Qty
1	Arm, Governor	16551-ZM0-000	5580311	1
2	Rod, Governor	16555-ZM0-000	5580329	1
3	Spring, Governor	16561-ZM0-V30	6315725	1
4	Spring, Throttle Return	16562-ZM0-000	5580352	1
5	Spring, Lever	16574-ZE1-000	1427384	1
6	Washer, Control Lever	16575-ZE2-W00	3678679	1
7	Plate, Lever Center	16577-ZM0-V30	6315741	1
8	Spacer, Control Lever	16578-ZE1-000	1427400	1
9	Base Control	16580-ZM0-V30	6315758	1
10	Lever, Choke	16612-ZM0-V30	6315766	1
11	Rod, Choke	16674-ZM0-V30	6315774	1
12	Collar (9.2x15x20.5)	91501-ZM0-V30	6363733	1
13	Switch Assembly, Engine Stop (N.0)	35120-ZL8-003	5611520	1
14	Mark, Throttle Indication	87532-ZM0-V30	6315832	1
15	Bolt, Governor Arm	90015-ZE5-010	2418671	1
16	Bolt, Flange (6x32)	90017-883-000	0636076	1
17	Bolt, Special (6x45)	90016-ZM0-V30	6315840	1
18	Nut, Self-Lock (6MM)	90114-SA0-000	1410182	1
19	Nut, Self-Lock (5MM)	90136-SM4-901	3596095	1
20	Screw-Washer (4x12)	93892-04012-00	0485946	1
21	Nut, Flange (6MM)	94050-06000	0471623	1
22	Washer, Plain (4MM)	94103-04000	1510361	1

REPAIR PARTS

Honda Engine Model Number GCV160A

LABELS



ZM04-E2600g

<u>Ref</u>	<u>Description</u>	<u>Part Number</u>	<u>H/C</u>	<u>Qty</u>
1	Mark, Emblem (5.5)	87101-ZM0-000	5580865	1

TABLA DE CONTENIDOS

GARANTÍA	37
GRÁFICO DE ESPECIFICACIONES	38
PAUTAS DE SEGURIDAD – DEFINICIONES	38
INSTRUCCIONES IMPORTANTES DE SEGURIDAD	38-42
CONTENIDO DE LA CAJA	42
ENSAMBLAJE	43
OPERACIÓN	44-48
MANTENIMIENTO	48-51
ALMACENAJE	52-53
GUÍA PARA DIAGNÓSTICO DE PROBLEMAS	53-55
PIEZAS DE REPARACIÓN	21-36
COMO SOLICITAR PIEZAS DE REPARACIÓN	Cubierta de atrás

GARANTÍA

GARANTÍA LIMITADA DE UN AÑO PARA LAVADORAS CRAFTSMAN DE ALTA PRESIÓN

Por un año a partir de la fecha de compra, y siempre que esta Lavadora Craftsman de Alta Presión se mantenga y opere de acuerdo a las instrucciones en el Manual del Propietario, Sears reparará cualquier defecto de material o fabricación sin costo alguno.

Si esta lavadora se usa para propósitos comerciales o de alquiler, la garantía sólo será aplicable por 90 días a partir de la fecha de compra.

GARANTÍA LIMITADA DE DOS AÑOS DEL MOTOR CRAFTSMAN

Por dos años a partir de la fecha de compra, y siempre que este motor Craftsman se mantenga y opere de acuerdo a las instrucciones en el Manual del Propietario, Sears reparará cualquier defecto de material o fabricación sin costo alguno.

Si el motor Craftsman se usa para propósitos comerciales o de alquiler, la garantía sólo será aplicable por 90 días a partir de la fecha de compra. Esta garantía no cubre piezas sujetas a desgaste tales como bujías y filtros de aire, los cuales se gastan con el uso normal.

La garantía no cubre las reparaciones que se hagan necesarias debido al mal uso o negligencia de parte del operador, incluyendo daños causados por no suministrarle agua a la bomba o no mantener el equipo de acuerdo a las instrucciones contenidas en este manual.

SE PUEDE OBTENER SERVICIO POR GARANTÍA SI SE LLEVA LA LAVADORA DE ALTA PRESIÓN AL CENTRO/DEPARTAMENTO DE SERVICIO DE GARANTÍA DE SEARS MÁS CERCANO EN CUALQUIER LUGAR DE ESTADOS UNIDOS. Esta garantía le otorga ciertos derechos legales específicos y usted también podría tener otros derechos que varían de un estado a otro.

Sears, Roebuck and Co., D/817 WA, Hoffman Estates, IL 60179

GRAFICO DE ESPECIFICACIONES

Modelo N°	919-769062
Lavadora a presión	
Presión	2400 PSI
Promedio de flujo	8,3 l/m (2.2 GPM)
Unidades de limpieza (PSI x GPM)	5280
RPM del Motor	3600
Potencia especificada en HP	5.5
Luz de bujía	0,76 mm (.030")
Capacidad del tanque de gasolina	1,1 litros (0.29 galones)
Capacidad de aceite 0,55 litros (0.58 cuartos de galón)	SAE 30 de densidad

NORMAS DE SEGURIDAD / DEFINICIONES

Este manual contiene información que es importante para que usted sepa y comprenda. Esta información se relaciona con la protección de SU SEGURIDAD y la PREVENCIÓN DE PROBLEMAS AL EQUIPO. Para ayudarlo a identificar esta información, utilizamos los símbolos indicados mas abajo. Sírvase leer el manual y prestar atención a los mismos.

▲ PELIGRO indica una situación inminentemente riesgosa, la cual, si no es evitada, causará la muerte o lesiones serias.

▲ ADVERTENCIA indica una situación potencialmente riesgosa, que si no es evitada, podría ocasionar la muerte o lesiones serias.

▲ PRECAUCIÓN indica una situación potencialmente riesgosa, la cual, si no es evitada, podría ocasionar lesiones menores o moderadas.

PRECAUCIÓN usado sin el símbolo de seguridad de alerta, indica una situación potencialmente riesgosa la que, si no es evitada, podría causar daños en la propiedad.

INFORMACIÓN DE SEGURIDAD PARA EL CONSUMIDOR


▲ ADVERTENCIA Este producto podría no estar equipado con silenciador apagachispas. Si el producto no estuviese equipado con ello, y fuera instalado en las cercanías de materiales inflamables, o sobre una superficie cubierta con materiales tales como cosechas agrícolas, materiales forestales, malezas, pasto, u otros ítems similares, deberá entonces instalarse un silenciador apagachispas aprobado el cual es legalmente requerido por el Estado de California. Es una violación a los estatutos de California, sección 130050 y / o secciones 4442 y 4443 del Código de Recursos Públicos de California, a menos que el motor se encuentre equipado con un apagachispas, tal como se lo define en la sección 4442, y mantenido en perfecto estado de funcionamiento. Los apagachispas también son requeridos por el Servicio Forestal de EE.UU., y podrían ser requeridos legalmente bajo otros estatutos y ordenanzas.


▲ ADVERTENCIA El escape del motor contiene productos químicos conocidos, que - en ciertas cantidades - pueden ser causales de cáncer, defectos de nacimiento u otros daños de gestación.

IMPORTANTES INSTRUCCIONES DE SEGURIDAD

▲ ADVERTENCIA Lea el Manual de funcionamiento . Para su seguridad, armado, funcionamiento e instrucciones de mantenimiento, no haga funcionar el equipo hasta haber leído el Manual de funcionamiento.

LEA Y CONSERVE ESTAS INSTRUCCIONES

RIESGO	
▲ PELIGRO RIESGO DE EXPLOSIÓN O INCENDIO	
	
QUÉ PUEDE OCURRIR	CÓMO PREVENIRLO
<ul style="list-style-type: none"> • La gasolina derramada y sus emanaciones pueden incendiarse con las chispas de un cigarrillo, arcos eléctricos, el escape de la combustión y componentes calientes del motor tales como el silenciador. • El calor hará expandir el combustible dentro del tanque, lo cual podría ocasionar su derramamiento y posible explosión e incendio. • Hacer funcionar la lavadora a presión dentro de un ambiente explosivo podría ocasionar un incendio. • Los materiales colocados contra o cerca de la lavadora a presión, pueden interferir con sus características propias de ventilación, causando el recalentamiento y posible ignición de los materiales. • El calor del escape del silenciador puede dañar superficies pintadas, derretir cualquier material sensible a la temperatura (tal como revestimientos exteriores, plásticos, gomas, o vinilos), y dañar plantas vivas. • El combustible almacenado en forma inadecuada puede ocasionar una ignición accidental. Asimismo, el combustible protegido inadecuadamente puede caer en manos de niños u otras personas no calificadas para su manipulación. • El uso de ácidos, productos químicos tóxicos o corrosivos, venenos, insecticidas o cualquier clase de solventes inflamables con este producto, podría ocasionar una seria lesión o la muerte. 	<ul style="list-style-type: none"> • Detenga el motor y permítale enfriarse antes de agregar combustible al tanque. • Ponga sumo cuidado al llenar el tanque, evitando el derramamiento del combustible. Corra la lavadora a presión fuera del área de cargado de gasolina, antes de poner el motor en marcha. • Mantenga el nivel máximo de combustible 12,7 mm (1/2") por debajo de la boca del tanque, para permitir la expansión. • Haga funcionar el equipo y agregue combustible en áreas bien ventiladas y libre de obstrucciones. Equipe las zonas con extinguidores apropiados para incendio de gasolina. • Jamás haga funcionar la lavadora a presión en un sector que contenga malezas o pasto seco. • Mantenga siempre la lavadora a presión a una distancia mínima de 1,22 m (cuatro pies) de superficies (tales como casas, automóviles, o plantas vivas) que podrían ser dañadas por el calor del escape del silenciador. • Almacene el combustible en un contenedor aprobado OSHA, en una ubicación segura alejada del sitio de trabajo. • No rocíe líquidos inflamables .

RIESGO	
▲ PELIGRO RIESGO DE INHALACIÓN	
	
QUÉ PUEDE OCURRIR	CÓMO PREVENIRLO
<ul style="list-style-type: none"> • La inhalación de las emanaciones del escape causará serias lesiones o la muerte. • Algunos fluidos para limpieza contienen sustancias que pueden lesionar la piel, los ojos o los pulmones. 	<ul style="list-style-type: none"> • Haga funcionar la lavadora a presión en un sector bien ventilado. Evite las zonas cerradas tales como garajes, sótanos, etc. • Jamás haga funcionar la unidad en lugares ocupados por seres humanos o animales. • Use solamente fluidos para limpieza específicamente recomendados para lavadoras a alta presión. Siga las recomendaciones del fabricante. No use blanqueador clorado ni compuesto corrosivo alguno.

RIESGO**RIESGO DE LESIONES O DAÑOS A LA PROPIEDAD AL TRANSPORTAR O ALMACENAR.****QUÉ PUEDE OCURRIR**

- El derramamiento de combustible o aceite puede originar un incendio o el riesgo de su inhalación, ello puede determinar una lesión seria o la muerte. Las pérdidas de combustible o aceite pueden dañar alfombras, pintura u otras superficies en vehículos o remolques.

CÓMO PREVENIRLO

- Si la lavadora a presión está equipada con una válvula de corte de combustible, gire la misma hasta su posición de corte antes del transporte, a fin de evitar el derramamiento de combustible. Si la lavadora a presión no estuviera equipada con una válvula de corte de combustible, drene el combustible del tanque antes de transportarlo. Transporte el combustible únicamente en contenedores OSHA aprobados. Cuando deba transportarla, coloque siempre la lavadora a presión sobre una alfombra a fin de proteger al vehículo de daños por derrames. Retire la lavadora a presión del vehículo inmediatamente después de su arribo a destino.

RIESGO**RIESGO DE INYECCIÓN DE FLUIDO****QUÉ PUEDE OCURRIR**

- Su lavadora funciona a presiones de fluido y velocidades elevadas, capaces de penetrar el tejido humano y animal; ello podría determinar una amputación u otras lesiones serias. Las pérdidas causadas por conexiones flojas o gastadas, o mangueras dañadas pueden determinar lesiones por inyección. ¡NO TRATE A LA INYECCIÓN DE FLUIDO COMO A UN SIMPLE CORTE! ¡Consulte a un médico inmediatamente!
- Si no se reduce la presión antes de intentar el mantenimiento o el desarmado, ello podría ocasionar lesiones.

CÓMO PREVENIRLO

- Jamás coloque sus manos delante de la boquilla.
- Dirija el rociado fuera de sí u otras personas.
- Asegúrese que las mangueras y acoples estén ajustados y en buenas condiciones. Jamás sujete de la boquilla o los acoples durante su funcionamiento.
- No permita que la manguera tome contacto con el silenciador.
- Jamás conecte o desconecte la varilla rociadora o los acoplamientos de manguera mientras el sistema esté presurizado.
- Para liberar la presión del sistema, detenga el motor, cierre el suministro de agua, y mantenga apretado el gatillo hasta que el agua deje de fluir.
- Use solamente mangueras y accesorios especificados para una presión más elevada que los psi de su lavadora.

RIESGO**RIESGO DE QUEMADURA QUÍMICA****QUÉ PUEDE OCURRIR**

- El uso de ácidos, productos químicos tóxicos o corrosivos, venenos, insecticidas o cualquier clase de solventes inflamables con este producto, puede ocasionar una seria lesión o la muerte.

CÓMO PREVENIRLO

- No utilice ácidos, gasolina, kerosén, o cualquier otro material inflamable en este producto. Utilice únicamente detergentes domésticos, limpiadores y desengrasantes recomendados para el uso en lavadoras a presión. Use atuendo de protección adecuado para la preservación de sus ojos y piel del contacto con los materiales rociados.

RIESGO**RIESGO DE FUNCIONAMIENTO INSEGURO****QUÉ PUEDE OCURRIR**

- El funcionamiento inseguro de su lavadora a presión puede ocasionar lesiones serias o la muerte de usted u otras personas.
- Si no se siguen los procedimientos adecuados para el arranque, el motor puede efectuar un retroceso de marcha pudiendo ocasionar serias lesiones en la mano y el brazo.
- La pistola/varilla rociadora es una poderosa herramienta de limpieza que un niño puede imaginar como un juguete.
- La fuerza reactiva del rociado determinará que la pistola/varilla rociadora se mueva y podría ser la causa de que el operador se resbale, caiga, u oriente el rociador hacia una dirección errónea. El control inadecuado de la pistola/varilla rociadora puede ocasionar lesiones a uno mismo u otras personas.

CÓMO PREVENIRLO

- No use soluciones cloradas ni otros compuestos corrosivos.
- Familiarícese con el funcionamiento y controles de la lavadora a presión.
- Mantenga la zona de operaciones libre de personas, animales domésticos y obstáculos.
- No haga funcionar el producto si está fatigado o bajo la influencia del alcohol o drogas. Manténgase alerta en todo momento.
- Jamás desactive los mecanismos de seguridad de este producto.
- No haga funcionar la máquina con partes faltantes, rotas o desautorizadas.
- Jamás deje la varilla rociadora desatendida mientras la unidad esté funcionando.
- Si el motor no arrancara después de dos intentos, presione el gatillo de la pistola con el fin de aliviar la presión de la bomba. Vuelva a tirar del cordón lentamente hasta percibir resistencia. Luego tire rápidamente del mismo para evitar el retroceso y prevenir la lesión en su mano o brazo.
- Mantenga alejados a los niños de la lavadora a presión en todo momento.
- No se sobreextienda ni se pare sobre una superficie inestable. Sostenga firmemente el mango de la pistola/varilla rociadora con ambas manos. Prevea el retroceso de la pistola cuando apriete el gatillo.

RIESGO**RIESGO DE DESCARGA ELÉCTRICA****QUÉ PUEDE OCURRIR**

- El rociado directo sobre tomacorrientes o interruptores, u objetos conectados a un circuito eléctrico puede determinar una descarga eléctrica fatal.

CÓMO PREVENIRLO

- Desenchufe cualquier producto de funcionamiento eléctrico antes de intentar limpiarlo. Dirija el rociado alejado de tomacorrientes e interruptores.

RIESGO**RIESGO DE SUPERFICIES CALIENTES****QUÉ PUEDE OCURRIR**

- El contacto con superficies calientes, tales como los componentes del escape de motores, puede ocasionar serias quemaduras.

CÓMO PREVENIRLO

- Durante el funcionamiento, toque solamente las superficies de control de la lavadora a presión. Mantenga a los niños alejados en todo momento de la lavadora a presión. Ellos podrían no darse cuenta de los riesgos de este producto.

RIESGO

⚠️ ADVERTENCIA

RIESGO DE LESIONES PROVENIENTES DEL ROCIADO



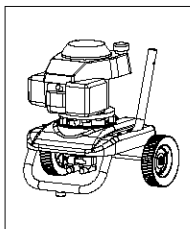
QUÉ PUEDE OCURRIR	CÓMO PREVENIRLO
<ul style="list-style-type: none"> El rociado de los líquidos a alta velocidad puede causar la rotura de algunos objetos proyectando sus partículas violentamente. Los objetos livianos o los que no estén sujetos se pueden convertir en proyectiles peligrosos. 	<ul style="list-style-type: none"> Use siempre anteojos de seguridad que cumplan con la norma Z87 de ANSI. Use siempre ropa especial para protegerse del rociado accidental. Nunca apunte la varilla rociadora ni rocíe sobre personas ni animales. Para evitar que se accione accidentalmente, coloque siempre el seguro del gatillo cuando la varilla rociadora no esté en uso. Jamás fije el gatillo permanentemente en la posición presionada (abierto).

⚠️ PRECAUCIÓN

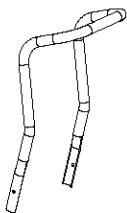
El chorro poderoso de su lavadora a presión es capaz de causar daño a superficies tales como la madera, vidrio, pintura del automóvil, guardas rayadas, adornos y objetos delicados tales como flores y arbustos. Antes de rociar, verifique el ítem que debe ser lavado para asegurarse que el mismo es suficientemente fuerte como para resistir el impacto de la fuerza del rociado. Evite el uso del chorro concentrado excepto para superficies muy fuertes, tales como concreto y acero.

Hacer funcionar el equipo sin el flujo del agua lo dañará. Hacer funcionar la lavadora a presión con su suministro de agua cerrado anulará su garantía. No deberá hacerse funcionar la lavadora a presión por más de 2 minutos sin presionar el gatillo que permite entrar el agua fría a la bomba y salir el agua caliente (reciclada).

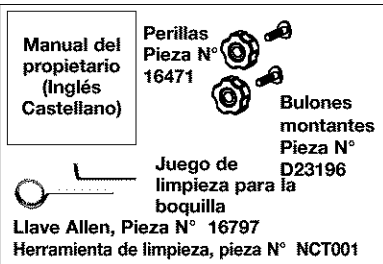
CONTENIDO DE LA CAJA



Bastidor y conjunto de ruedas del motor



Manillar
Pieza N° D22316



Embalaje de partes



Manguera de alta presión
Pieza N° D22166



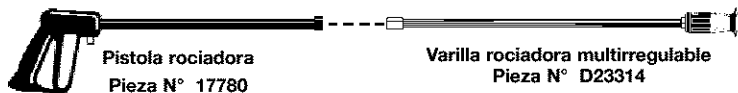
Manguera de productos químicos
Pieza N° H140



Panel de accesorios
Pieza N° D21865
con tornillos pieza N° D22901



Aceite para motor

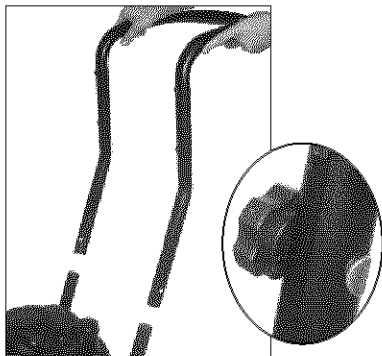


Pistola rociadora
Pieza N° 17780

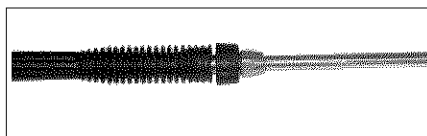
Varilla rociadora multirregulable
Pieza N° D23314

ENSAMBLAJE

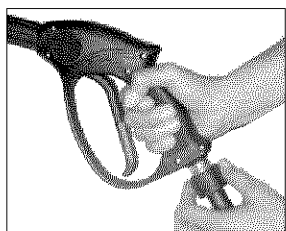
1. Coloque el conjunto del manillar en el bastidor y conéctelo al mismo. **NOTA:** Las perillas son ensambladas hacia adentro del bastidor.



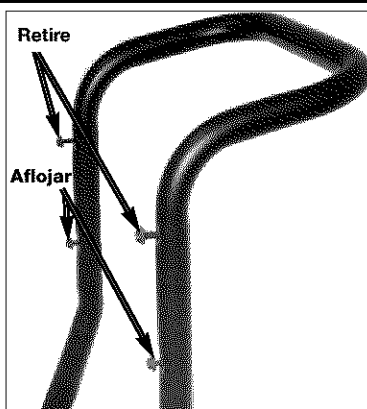
2. Conecte la varilla a la pistola. Ajuste firmemente.



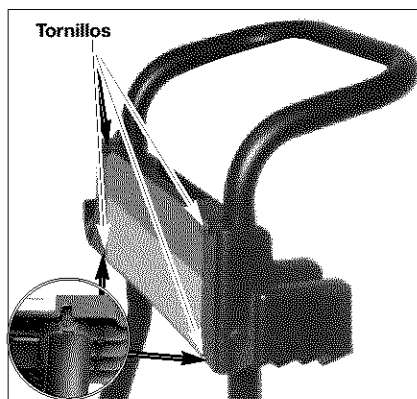
3. Conecte la manguera de alta presión a la pistola. Ajuste firmemente.



4. Ensamblado del panel de accesorios
 - a. Extraiga los dos tornillos superiores del conjunto manillar.
 - b. Afloje los tornillos de la base sobre el conjunto manillar.



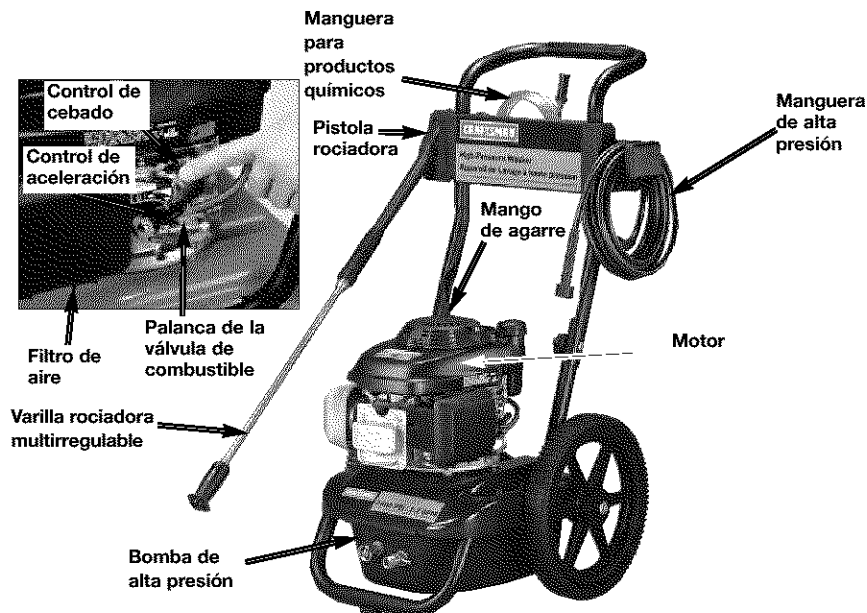
- c. Coloque las muescas del panel de accesorios sobre los tornillos y deslice el panel hasta colocarlo en posición.



- d. Coloque los tornillos (extraídos previamente), en los orificios superiores y atornille el panel de accesorios al manillar. No sobreajuste.

INSTRUCCIONES DE FUNCIONAMIENTO

LEA ESTE MANUAL DE FUNCIONAMIENTO Y SUS REGLAS DE SEGURIDAD, ANTES DE HACER FUNCIONAR LA UNIDAD. Compare las ilustraciones con su unidad para familiarizarse con la ubicación de sus controles y regulaciones. Conserve este manual para referencias futuras.



LAVADORA A PRESIÓN

Bomba de alta presión (ubicada en el interior de la carcasa): Incrementa la presión del agua provista.

Motor: Impulsa la bomba de alta presión.

Manguera de alta presión: Lleva el agua a presión desde la bomba a la pistola y varilla rociadora.

Pistola rociadora: Se conecta a la varilla rociadora para controlar el volumen del flujo del agua, su dirección y la presión.

Varilla rociadora multirregulable: Tiene una boquilla que puede regularse desde un chorro puntual (0°) a un amplio ángulo de rociado (40°). El rociado puede ser ajustado girando la boquilla en sentido horario y/o antihorario. Asimismo, la presión alta o baja puede ser regulada y controlada moviendo la boquilla hacia adentro o afuera. Lea el párrafo "Uso de la varilla rociadora", en esta sección.

Manguera para productos químicos:

Alimenta agentes limpiadores a la bomba para mezclarlos con el agua presurizada. Lea: "Cómo emplear productos químicos y solventes para limpieza" en la sección: "Instrucciones de funcionamiento" de este manual.

MOTOR

Control de la cebado: Abre y cierra la válvula de cebado del carburador.

Leva de control de aceleración: Controla la velocidad del motor.

Manija de arranque: Tirando de la manija de arranque se acciona el arranque con muelle de retroceso que impulsa al motor.

Leva de control del paso de combustible: Abre y cierra la conexión de la válvula del flujo de combustible entre el tanque y el carburador.

TERMINOLOGÍA DE LA LAVADORA A PRESIÓN

psi: (Pounds per Square Inch) Libras por pulgada cuadrada. Es la unidad de medida para la presión del agua. También usada para la presión del aire, presión hidráulica, etc.

GPM: (Gallons per Minute). Galones por minuto. Es la unidad de medida para el flujo promedio del agua a través de la lavadora a presión.

CU: (Cleaning Units). Unidades de limpieza. GPM multiplicadas por psi.

Modo de derivación: Trabajando en modo de derivación, la bomba está recirculando el agua debido a que el gatillo de la pistola rociadora no se encuentra presionado. Si la unidad queda en modo de derivación por más de dos (2) minutos, se elevará la temperatura del agua a niveles que podrían dañar los componentes internos de la bomba. Cualquier daño debido a dichas causas no quedará cubierto por la garantía.

⚠ PRECAUCIÓN NO PERMITA que su unidad funcione en modo de derivación (bypass) por más de dos minutos en cualquier circunstancia. El recalentamiento le ocasionará daños a la bomba.

Válvula térmica de seguridad: Para prevenir daños extremos, las bombas están equipadas con una válvula térmica de seguridad. Dicha válvula se abrirá cuando la temperatura interior de la bomba se eleve demasiado. Esta válvula liberará un chorro de agua, para reducir la temperatura interior de la bomba. Inmediatamente después que esto ocurra la válvula se cerrará. La válvula térmica de seguridad es parte de la bomba y no está visible para el usuario.

Sistema de inyección de productos químicos: Mezcla los productos limpiadores o los solventes de limpieza con el agua, para mejorar la efectividad de la limpieza.

Suministro de agua: Todas las lavadoras a presión deben tener un suministro de agua. Los requerimientos mínimos para el suministro del agua son 20 psi y 22,7 litros (5 galones) por minuto.

COMO USAR

IMPORTANTE: Lea y comprenda cómo usar la presión de la lavadora antes de operarla.

REGULACIÓN DE LA PRESIÓN

Los valores de calibrado de la presión vienen regulados de fábrica, con el objeto de lograr la presión óptima para la limpieza. Si usted necesitase reducir la presión, ello podrá lograrse merced a los siguientes métodos:

1. Retírese de la superficie que ha de limpiarse. Cuanto más alejado usted se encuentre de la misma, menor presión habrá sobre la superficie que deberá limpiar.
2. Rote la boquilla del extremo de la varilla rociadora multirregulable, para ensanchar el abanico de **rociado**. El rociado más ancho minimizará la presión sobre la superficie que ha de ser limpiada.

⚠ PRECAUCIÓN NO intente incrementar la presión de la bomba. Un calibrado superior al que trae de fábrica puede dañar la bomba.

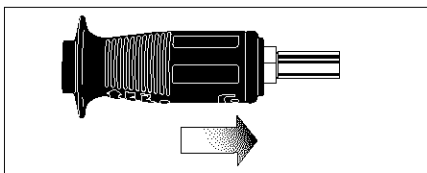
CÓMO UTILIZAR LA VARILLA ROCIADORA:

Su lavadora a presión está equipada con una varilla rociadora multirregulable para calibrados de baja y alta presión. El calibrado de alta presión es para limpieza y enjuague, mientras que el de baja presión es para la aplicación de productos químicos o soluciones de limpieza para las superficies.

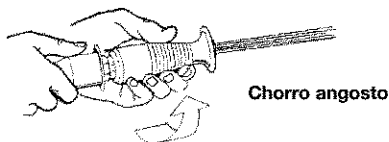
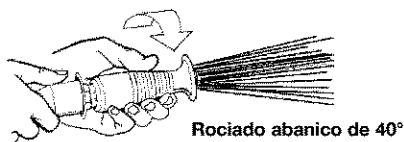
⚠ PELIGRO Al utilizar el calibrado de alta presión, NO permita que el chorro de rociado tome contacto con la piel desprotegida, ojos ni cualquier mascota o animales. Ello podría ser la causa de serias lesiones.

Riesgo de inyección o lesión a las personas; NO dirija el chorro de descarga hacia persona alguna.

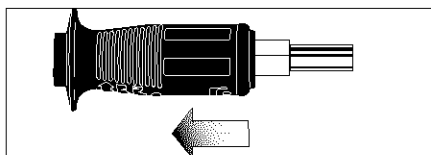
Para un funcionamiento en alta presión, tire hacia atrás la boquilla de la varilla rociadora multirregulable tal como se muestra.



La boquilla del extremo de la varilla rociadora multirregulable puede rotarse para cambiar el formato del rociado de alta presión, desde una forma de chorro angosto hasta un abanico de rociado de 40°, tal como está mostrado. Se han colocado marcas en la boquilla para favorecer la selección del formato de rociado.



Para una operación a baja presión, extienda la boquilla de la varilla rociadora multirregulable tal como se muestra.

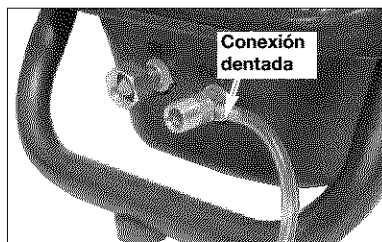


CÓMO EMPLEAR PRODUCTOS QUÍMICOS Y SOLVENTES PARA LIMPIEZA

El empleo de productos químicos o solventes para limpieza es una operación de baja presión. **NOTA:** Utilice solamente jabones y productos químicos diseñados para el uso en lavadoras a presión. **No use blanqueadores (lejía).**

Empleo de productos químicos:

1. **Presione la manguera de productos químicos** dentro del acople dentado ubicado cerca de la conexión de la manguera de alta presión de la bomba tal como está mostrado.



2. **Coloque el otro extremo** de la manguera de **productos químicos** con su filtro instalado, dentro del contenedor del producto químico o solución de limpieza. **NOTA:** La proporción de producto químico / agua es 7:1, o sea, por cada 7 galones (26,5 litros) de agua bombeada se usará un galón (3,78 litros) de producto químico / solución limpiadora.
3. **Regule la boquilla multirregulable** en la posición de presión más baja. Lea el párrafo "Uso de la varilla rociadora", en esta sección.
4. **Luego de usar productos químicos**, coloque la manguera dentro de un recipiente con agua limpia y succiónela a través del sistema de inyección química, a fin de enjuagar el sistema completamente. Si los productos químicos permaneciesen en la bomba, ésta podría resultar dañada. Los daños a las bombas ocasionados por productos químicos no están cubiertos por la garantía.

NOTA: Los productos químicos y jabón no serán succionados cuando la varilla rociadora esté regulada en la posición de alta presión.

PROCEDIMIENTO DE APAGADO

IMPORTANTE: Lea y comprenda cómo cortar la presión de la lavadora, antes de operar.

1. Si ha sifonado productos químicos, repita la operación con un balde de agua limpia a través de la manguera química. **NOTA:** no hacerlo causará daño a la bomba.
2. Detenga el motor colocando el control de aceleración en la posición OFF.

NOTA: NUNCA corte el suministro del agua con el motor en marcha.

3. Coloque la válvula de combustible en la posición OFF, si el motor no ha de ponerse en marcha en breve.
4. Corte el suministro del agua.
5. Presione el gatillo de la pistola rociadora a fin de aliviar cualquier presión de agua dentro de la manguera o la pistola rociadora.
6. Ver la sección de Almacenaje de éste manual para el adecuado procedimiento de almacenaje.

ANTES DE COMENZAR

Lea y comprenda todas las instrucciones importantes que se encuentran al comienzo de este manual y a las siguientes precauciones y advertencias, antes de dar arranque a la lavadora a presión.

▲ ADVERTENCIA

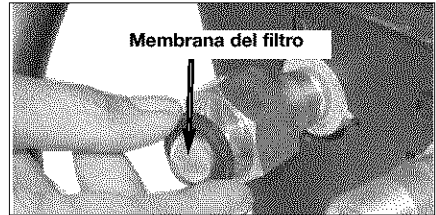
- **JAMÁS** llene el tanque de combustible completamente. Complete el tanque dejando libre 12,7 mm (1/2") por debajo del fondo del cuello de recarga, a fin de proveer espacio para la expansión del combustible. Limpie cualquier derramamiento de combustible del motor y del equipo, antes de poner el motor en marcha.
- **NO DEJE** que las mangueras tomen contacto con el silenciador extremadamente caliente del motor, durante o inmediatamente después del uso de su lavadora a presión. El daño a las mangueras proveniente de su contacto con superficies calientes **NO SERÁ** cubierto por la garantía.
- **JAMÁS** cargue el tanque de combustible mientras el motor esté en marcha o caliente. No fume mientras esté llenando el tanque de combustible.

PRECAUCIÓN

- **JAMÁS** cierre el paso del suministro del agua mientras esté en marcha el motor; ello dañará la bomba.
 - **NO UTILICE** agua caliente; solamente use agua fría.
 - **NO interrumpa** el rociado de agua por más de dos minutos por vez.
1. En una zona bien ventilada externa, agregue gasolina nueva y de alta calidad, sin plomo, identificada en el surtidor de combustible con 86 o más octanos. No llene en exceso. Limpie cualquier derramamiento de combustible del motor y del equipo, antes de poner el motor en marcha. Para informarse del correcto procedimiento, refiérase al manual del motor.
 2. Extraiga la tapa / varilla medidora y agregue aceite al motor (suministrado). **NOTA:** El motor contendrá una ligera cantidad de aceite, correspondiente a las pruebas de fábrica.

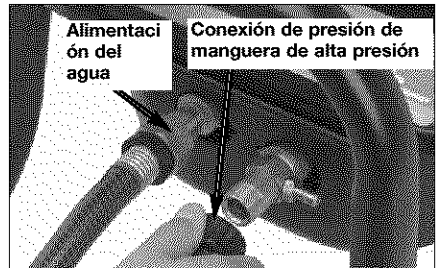


3. Verifique que la membrana del filtro esté en la entrada de agua de la bomba, tal como se muestra. **NOTA:** La cara del cono orientada hacia fuera.



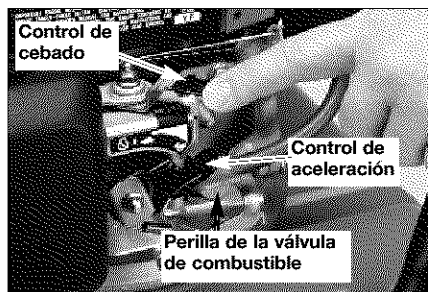
4. Conecte la manguera de alta presión a la salida de la bomba.
5. Conecte el suministro de agua a la entrada de la bomba.

NOTA: El agua debe ser suministrada a un promedio de 22.7 litros (5 galones) por minuto a 20 p.s.i.



6. Si intenta aplicar una solución química o de limpieza, sírvase leer "Como succionar productos químicos/solventes limpiadores", en la sección "Instrucciones de funcionamiento", de este manual.
7. Abra el paso de alimentación del agua. **NOTA:** Dejar de hacerlo podría causar daño a la bomba.

8. Coloque la válvula de combustible en la posición ON, girándola 1/4 de vuelta en sentido antihorario.
9. Mueva la palanca de control de cebado a la posición CHOKE ON, y la del control de aceleración a la posición FAST. **NOTA:** No se requiere cebado para el arranque cuando el motor está caliente.



10. Tire lentamente de la manija de arranque hasta percibir resistencia, luego tire firmemente. Acompañe suavemente el retroceso de la manija de arranque. Tire de la soga con un rápido y completo movimiento del brazo. Deje que la soga se rebobine lentamente. Repita si fuese necesario.

▲ ADVERTENCIA Si el motor no arrancase luego del segundo intento, presione el gatillo para aliviar la presión.

11. Si el cebador hubiese sido utilizado para la puesta en marcha del motor, mueva la palanca del cebador a la posición OFF.
12. Presione el gatillo de la pistola para iniciar el flujo del agua. **NOTA:** Párese sobre una superficie estable y sostenga firmemente el mango de la pistola/varilla rociadora con ambas manos. Prevea el retroceso de la pistola cuando ésta sea gatillada.
13. Suelte el gatillo para detener dicho flujo de agua.
14. Regule la boquilla rociadora para la tarea que piensa efectuar. Lea las instrucciones en "Uso de la varilla rociadora", de ésta sección.

▲ ADVERTENCIA NO DEJE que las mangueras tomen contacto con el silenciador extremadamente caliente del motor, durante o inmediatamente después del uso de su lavadora a presión. El daño a las mangueras proveniente de su contacto con superficies calientes NO SERÁ cubierto por la garantía.

MANTENIMIENTO

▲ PELIGRO AL HACER MANTENIMIENTO, QUEDA EXPUESTO A LAS SUPERFICIES CALIENTES, PRESIÓN DE AGUA, MOVIMIENTO DE PIEZAS, O FUEGO CAUSANTE DE MUERTE. ANTES DE REALIZAR CUALQUIER MANTENIMIENTO O REPARACIÓN, DESCONECTE EL CABLE DE BUJÍA, PERMITA ENFRIAR AL MOTOR Y LIBERE TODA LA PRESIÓN DEL AGUA. EL MOTOR CONTIENE COMBUSTIBLE INFLAMABLE. NO FUME O TRABAJE CERCA DE LLAMA ABIERTA MIENTRAS DESARROLLA EL MANTENIMIENTO.

Para asegurar una eficiente operación y larga vida de su lavadora a presión, se debería programar y seguir una rutina de mantenimiento. Si la lavadora a presión se usa en condiciones inusuales, tales como alta temperatura o polvo, se requiere un mantenimiento más frecuente.

TABLA DE RESPONSABILIDADES DEL CLIENTE

TAREA DE MANTENIMIENTO	Antes de cada uso	Cada 25 horas o anualmente	Cada 50 horas o anualmente	Cada 100 horas o anualmente
MOTOR				
Verifique el nivel de aceite	X			
Cambie el aceite			X	
Verifique el filtro de aire		X		
Limpie / reemplace la bujía				X
LAVADORA A PRESIÓN				
Verifique / limpie la rejilla de entrada	X			
inspeccione la manguera de alta presión	X			
inspeccione la manguera del jabón, productos químicos y el filtro	X			
Verifique la existencia de pérdidas sobre la pistola y la varilla	X			
preparación para el almacenaje	Prepare la unidad para su almacenaje si es que la misma permanecerá inactiva por más de 30 días.			

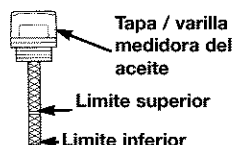
MOTOR

Verificación del aceite

1. Detenga el motor y colóquelo sobre una superficie nivelada.

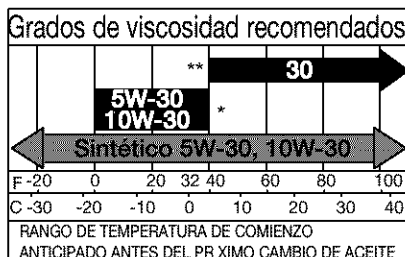


2. Extraiga la tapa / varilla medidora del aceite, y límpiela.
3. Coloque y extraiga la tapa / varilla medidora del aceite sin roscarla en el cuello de llenado. Verifique el nivel de aceite mostrado sobre la varilla medidora.



4. Si el nivel de aceite es bajo, llénelo hasta el borde del orificio de llenado de aceite, utilizando aceite SAE 10W-30.

Nota: pueden utilizarse otras viscosidades mostradas en el grafico, cuando el promedio de temperatura de su zona se encuentre dentro del rango recomendado.

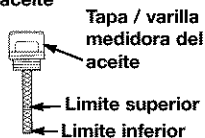
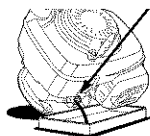


Cambio de aceite

Drene el aceite del motor mientras el mismo se encuentre caliente. El aceite caliente drena más rápida y completamente.

1. Mueva la válvula de control del combustible a la posición OFF, girándola 1/4 de vuelta en sentido horario.
2. Coloque un recipiente apropiado próximo al motor a fin de recibir el aceite usado.

Cuello de llenado de aceite



3. Extraiga la tapa / varilla medidora del aceite y drene el aceite dentro del contenedor, inclinando el motor hacia el lado en que se encuentra el cuello de llenado.

NOTA: Sírvase desechar el aceite usado del motor de una manera compatible con el medio ambiente. Se recomienda llevar el aceite usado en un contenedor hermético a su centro local de reciclaje o la estación de servicio para su recuperación. No lo arroje a la basura ni lo vierta sobre la tierra ni a través de la tubería del desagüe.

4. Con el motor en una posición nivelada, llene hasta el límite de la marca superior mostrada en la varilla medidora, utilizando aceite SAE 10W-30. La capacidad de admisión de aceite es de 0,55 litro (0.58 cuarto de galón) **NOTA:** Podrán utilizarse también otras viscosidades de aceite, mostradas en el párrafo del gráfico "Verificación del aceite".
5. Reponga firmemente la tapa / varilla medidora del aceite.

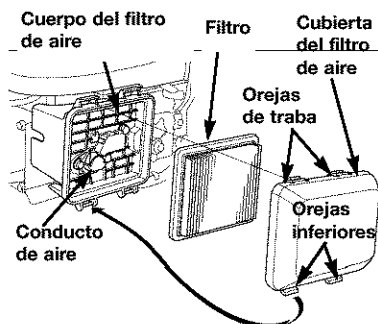
Filtro de aire

Un filtro de aire sucio restringirá el flujo del aire al carburador y será la causa de una eficiencia pobre del motor. Inspeccione el filtro cada vez que se ponga el motor en marcha. Limpie el filtro con mayor frecuencia si el motor debe ser operado en zonas muy polvorientas.

ADVERTENCIA: La operación del motor sin un filtro, permitirá la entrada de suciedad al motor, causando el desgaste rápido del mismo. Este tipo de daño no queda cubierto por la garantía.

INSPECCIÓN

1. Presione las orejas de traba en la parte superior de la cubierta del filtro de aire y extraiga la cubierta. Verifique el estado del filtro para asegurarse de que este limpio y en buenas condiciones.
2. Reinstale el filtro y la cubierta del filtro de aire.

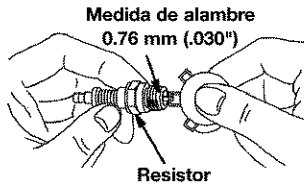


Limpieza

1. Golpee el filtro repetidamente sobre una superficie dura a fin de remover la suciedad, o bien sopletée con aire comprimido (sin exceder las 30 psi (207 kPA, 1,2 Kg/cm²) a través del filtro, desde el lado limpio que se orienta hacia el motor. Jamás intente de cepillar la suciedad. El cepillado introducirá la suciedad en las fibras.
2. Limpie la suciedad del cuerpo del filtro y la cubierta, utilizando un genero húmedo. Tenga cuidado en prevenir la entrada de suciedad al conducto de aire que conduce al carburador.

Limpieza y reemplazo de las bujías

Cambie las bujías cada 100 horas de operación o una vez al año, lo que ocurra primero. Ello ayudará a su motor a facilitar su arranque y funcionar mejor.



BOMBA

Esta membrana de filtración debe ser verificada periódicamente y limpiada si fuera necesario.

1. **Quite la membrana de filtrado** tomándola firmemente por su extremo y removiéndola de la entrada del agua a la bomba tal como se muestra.
2. **Limpie el filtro** enjuagándolo con agua en ambos lados.
3. **Reinserte el filtro** en la entrada de agua de la bomba. **NOTA:** La cara del cono orientada hacia fuera.

NOTA: No haga funcionar la lavadora a presión sin el filtro adecuadamente instalado.



VARILLA ROCIADORA

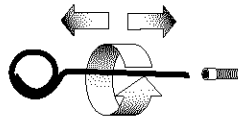
Si la boquilla comienza a obturarse con materiales extraños, tales como la tierra puede generar excesiva presión. Si comienza a obturarse parcialmente o es restringida, la presión de la bomba comenzará a pulsar. Limpie la boquilla inmediatamente usando el juego provisto y las siguientes instrucciones:

1. Apague la lavadora a presión y corte el suministro de agua.
2. Desconecte el cable de la bujía para asegurarse de que la unidad no podrá arrancar mientras se efectúe el mantenimiento.

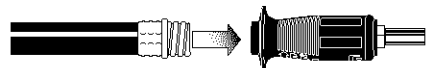
3. Apriete el gatillo del mango de la pistola para aliviar la presión del agua.
4. Desconecte la varilla rociadora de la pistola.
5. Remueva la boquilla del extremo de la varilla con una llave Allen de 2 mm. provista, tal como se muestra.



6. Limpie la boquilla usando el limpiador provisto para boquilla o un clip de papeles enderezado. Insértelo dentro del extremo de la boquilla y muévalo hacia adelante y atrás hasta que la obstrucción sea removida.



7. Enjuague el extremo de la boquilla con agua del suministro normal durante 30 segundos para desprender partículas sueltas.



8. Reconecte el cable de la bujía.
9. Rearme la boquilla en la varilla rociadora. Ajustela firmemente para prevenir pérdidas.
10. Reconecte la varilla rociadora a la pistola y abra el paso del agua.
11. Ponga en marcha la lavadora a presión y coloque la varilla rociadora en su máxima presión para verificarla.

ALMACENAJE

MOTOR

IMPORTANTE: Es importante prevenir la formación del depósito de gomas en partes esenciales del sistema de combustible, tales como el carburador, el filtro de combustible, manguera o el tanque durante el periodo de almacenaje. Asimismo, la experiencia indica que los combustibles con alcohol (llamados gasohol o los que usan etanol o metanol) pueden atraer humedad, lo cual conduce a la separación y formación de ácidos durante el almacenaje. La acidez del gas puede dañar el sistema de combustible de un motor mientras este se encuentra almacenado. Para evitar problemas al motor, el sistema de combustible debe ser vaciado ante de su almacenaje por periodos de 30 días o mayores. Jamás use productos limpiadores del motor o el carburador en el tanque de combustible, porque podrían ocurrir daños permanentes.

Preparación del motor

- Primeramente agregue estabilizador de combustible al tanque.
- Haga funcionar la lavadora a presión durante 5 minutos a fin de permitir la entrada del estabilizador a todo el sistema de combustible.

⚠ PRECAUCIÓN Mientras se encuentra en la preparación del motor, asegúrese de que el suministro del agua se encuentre abierto y que se encuentre fluyendo hacia la unidad. **JAMÁS** opere la unidad sin el suministro de agua funcionando a través de la bomba. La desatención de hacerlo causará daños a la bomba

- Lo siguiente será detener el motor y desconectar el suministro del agua.
- Desconecte el cable de la bujía y extraiga a esta.
- Agregue una cucharadita de té con aceite a través del orificio de la bujía.
- Coloque un trapo encima del orificio de la bujía y tire del arranque un par de veces a fin de lubricar la cámara de combustión.
- Reponga la bujía, pero no conecte su cable.

BOMBA

1. Drene toda el agua de la manguera de alta presión, enróllela y guárdela en el soporte del manillar de la lavadora a presión.
2. Drene toda el agua de la pistola rociadora y de la varilla rociadora sosteniendo la pistola rociadora en posición vertical, con el extremo de la boquilla apuntando hacia abajo y presionando el gatillo. Almacene la pistola y manguera en el soporte del manillar de la lavadora a presión.
3. Guarde la manguera de productos químicos, la manguera de alta presión, la pistola rociadora y la varilla rociadora de forma tal que queden protegidas de ser dañadas, tales como ser pisoteadas.

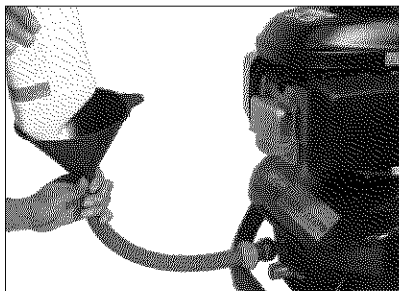
Se recomienda que siga usted estos pasos para la protección de los sellos interiores de la lavadora a presión **CUANDO LA UNIDAD SEA ALMACENADA POR MÁS DE 30 DÍAS Y/O CUANDO SE ESPEREN.**

*RV deberá ser fluido a través de la bomba tal como se menciona en los pasos siguientes.

4. Obtenga un embudo, 0,178 litros de anticongelante *RV y - aproximadamente - 91,5 cm (36 pulgadas) de manguera de jardín, con un conector macho en un extremo.

⚠ PRECAUCIÓN Use solamente anticongelante RV. Cualquier otro anticongelante resulta corrosivo y puede dañar la bomba.

5. Desconecte el cable de la bujía.



6. Conecte la manguera de 91,5 cm (36 pulgadas) a la entrada de agua de la bomba.

7. Agregue anticongelante *RV a la manguera tal como se muestra.
8. Tire varias veces lentamente de la sogá de arranque hasta que el anticongelante salga por la conexión de la manguera de alta presión en la bomba.
9. Extraiga la manguera corta de la entrada de agua de la bomba.

10. Reconecte el cable de la bujía.
*También puede utilizarse el fluido lavaparabrisas.

GUÍA DE DIAGNÓSTICO DE PROBLEMAS

PROBLEMA	CAUSA	CORRECCIÓN
El motor no arranca	<ol style="list-style-type: none"> 1. Sin combustible. 2. Acumulación de presión después de tirar dos veces de la cuerda del arrancador o después del primer uso. 3. La leva de cebado (choke) está en la posición de "No Choke". 4. Cable de la bujía sin conectar. 5. La leva de cebado (choke) está en la posición de "Choke" cuando el motor está "caliente" o cuando ha estado expuesto al calor por un largo periodo. 6. Válvula de paso de combustible cerrada. 	<ol style="list-style-type: none"> 1. Agregue combustible. 2. Apriete el gatillo de la pistola para aliviar la presión. 3. Mueva la leva de cebado a la posición de "Choke". 4. Conecte el cable de la bujía. 5. Mover la leva de cebado (choke) a la posición de "No Choke". 6. Mover la leva de la válvula de combustible a la posición "Open" (Abierto).
Nada o baja presión (después del uso inicial)	<ol style="list-style-type: none"> 1. La varilla rociadora no está en alta presión. 2. Poco suministro de agua. 3. Pérdida en la conexión de la manguera de alta presión. 4. Boquilla obstruida. 5. Membrana atascada del filtro de agua. 	<ol style="list-style-type: none"> 1. En la sección Instrucciones de funcionamiento, vea el párrafo: Uso de la la varilla rociadora. 2. El suministro de agua debe ser, por lo menos, 5 GPM a 20 psi. 3. Repare la pérdida. Aplique cinta selladora si fuera necesario. 4. Para informarse del procedimiento correcto, lea el párrafo referente a la varilla de rociado dentro de la sección Mantenimiento. 5. Remueva y limpie el filtro.

PROBLEMA	CAUSA	CORRECCIÓN
Nada o baja presión (después del uso inicial - continuación)	6. Aire en la manguera.	6. Apagar el motor y luego cortar el suministro de agua. Desconectar el suministro de agua de la entrada a la bomba y abrir el suministro de agua para eliminar todo el aire que haya en la manguera. Cuando se obtenga un flujo de agua constante, cerrar el suministro de agua. Reconectar el suministro de agua a la entrada de la bomba y abrir el suministro de agua. Apretar el gatillo para eliminar el aire restante.
	7. La leva de cebado (choke) está en la posición de "Choke".	7. Mover la leva a la posición de "No Choke".
	8. La leva del control de aceleración no está en la posición "Fast" (Rápido).	8. Mover la leva del control de aceleración a la posición "Fast" (Rápido).
	9. La manguera de alta presión es demasiado larga.	9. Utilice manguera de alta presión para distancias menores a 100 pies (30,5 m)
No succiona productos químicos	1. La varilla rociadora no está en baja presión.	1. En la sección Instrucciones de funcionamiento, vea el párrafo: uso de la varilla rociadora.
	2. Filtro obstruido de productos químicos.	2. Limpie el filtro.
	3. La malla de productos químicos no está dentro del producto químico.	3. Asegúrese que el terminal de la manguera de productos químicos esté completamente sumergido.
	4. El producto químico está demasiado espeso.	4. Diluir más el producto químico. El mismo debe tener la misma consistencia del agua.
	5. La manguera de alta presión es demasiado larga.	5. Alargue la manguera de suministro de agua antes que la manguera de alta presión.
	6. Acumulación de sedimentos químicos dentro del inyector.	6. Hacer limpiar las piezas o reemplazarlas por AWSC.

PROBLEMA	CAUSA	CORRECCIÓN
Nada o baja presión (después de un período normal de uso)	<ol style="list-style-type: none"> 1. Sello gastado o empaquetadura atascada. 2. Válvulas gastadas u obstruidas. 3. Pistón de descarga gastado. 	<ol style="list-style-type: none"> 1. Reemplácelas por AWSC. 2. Reemplácelas por AWSC. 3. Reemplácelas por AWSC.
Agua goteando en la conexión de la pistola/varilla rociadora	<ol style="list-style-type: none"> 1. O-ring gastado o roto. 2. Acople de manguera flojo. 	<ol style="list-style-type: none"> 1. Verificar y reemplazar. 2. Ajustar.
Agua goteando de la bomba	<ol style="list-style-type: none"> 1. Acoples flojos. 2. Empaquetaduras gastadas de pistón ... 3. O-rings gastados o rotos. 4. Cabezal de la bomba o tubos dañados por congelamiento. 	<ol style="list-style-type: none"> 1. Ajustar. 2. Reemplácelas por AWSC. 3. Reemplácelas por AWSC. 4. Reemplácelas por AWSC.
La bomba pulsa	<ol style="list-style-type: none"> 1. Boquilla obstruida. 	<ol style="list-style-type: none"> 1. Para informarse del procedimiento correcto, lea el párrafo referente a la varilla de rociado dentro de la sección Mantenimiento.

Get it fixed, at your home or ours!

Your Home

For repair – **in your home** – of **all** major brand appliances, lawn and garden equipment, or heating and cooling systems, **no matter who made it, no matter who sold it!**

For the replacement parts, accessories and owner's manuals that you need to do-it-yourself.

For Sears professional installation of home appliances and items like garage door openers and water heaters.

1-800-4-MY-HOME® Anytime, day or night
(1-800-469-4663) (U S A and Canada)
www.sears.com www.sears.ca

Our Home

For repair of carry-in products like vacuums, lawn equipment, and electronics, call or go on-line for the nearest **Sears Parts and Repair Center.**

1-800-488-1222 Anytime, day or night (U S A only)
www.sears.com

To purchase a protection agreement on a product serviced by Sears.

1-800-827-6655 (USA)

1-800-361-6665 (Canada)

Para pedir servicio de reparacion a domicilio, y para ordenar piezas.

1-888-SU-HOGARSM
(1-888-784-6427)

Au Canada pour service en français

1-800-LE-FOYER^{MC}
(1-800-533-6937)
www.sears.ca

SEARS

© Sears Roebuck and Co

© Registered Trademark / TM Trademark SM Service Mark of Sears Roebuck and Co

© Marca Registrada / TM Marca de Fabrica / SM Marca de Servicio de Sears, Roebuck and Co

^{MC} Marque de commerce ^{MC} Marque déposée de Sears, Roebuck and Co