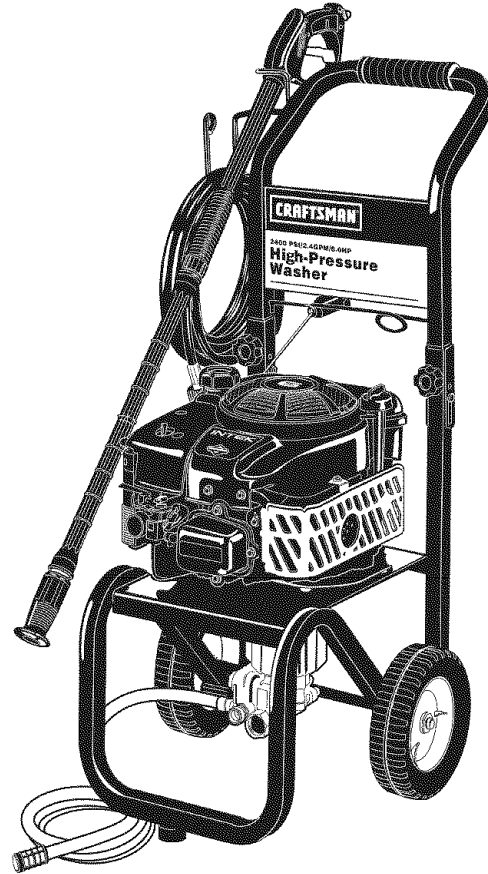


OWNER'S MANUAL

CRAFTSMAN®

**6.0 Horsepower
2400 PSI 2.4 GPM
High Pressure Washer**

**Model No:
919.769010**



WARNING: Before using this product, read this manual and follow all Safety Rules and Operating Instructions.

**PRESSURE WASHER
CUSTOMER
HELPLINE
1-800-245-5873**

- **Safety**
- **Assembly**
- **Operation**
- **Maintenance**
- **Parts List**
- **Español**

Sears, Roebuck and Co., Hoffman Estates, IL 60179 U.S.A.

TABLE OF CONTENTS

Warranty	2	Storage	14
Safety Guidelines.....	3-5	Troubleshooting	15
Assembly	5-7	Parts.....	16-29
Operation	7-10	EPA Codes.....	30-31
Product Specifications	11	Español	32-48
Maintenance	11-13	How to Order Parts	Back Cover
Service and Adjustments	13-14		

FULL ONE YEAR WARRANTY ON CRAFTSMAN HIGH PRESSURE WASHER

For one year from the date of purchase, when this Craftsman High Pressure Washer is maintained and operated according to the instructions in the owner's manual, Sears will repair, free of charge, any defect in material and workmanship.

If your Craftsman Pressure Washer is used for commercial or rental purposes, this warranty applies only for 90 days from the date of purchase.

FULL TWO YEAR WARRANTY ON CRAFTSMAN ENGINE

For two years from the date of purchase, when this Craftsman engine is maintained and operated according to the instructions in the owner's manual, Sears will repair, free of charge, any defect in material and workmanship.

If your Craftsman engine is used for commercial or rental purposes, this warranty applies only for 90 days from the date of purchase. This warranty does not cover expendable items such as spark plugs and air filters, which become worn during normal use.

Repairs necessary because of operator abuse or negligence, including damage resulting from no water being supplied to pump or failure to maintain the equipment according to the instructions contained in the owner's manual, are not covered under warranty.

WARRANTY SERVICE IS AVAILABLE BY RETURNING THE HIGH PRESSURE WASHER TO THE NEAREST SEARS SERVICE CENTER THROUGHOUT THE UNITED STATES. This warranty gives you specific legal rights and you may also have other rights, which vary from state to state.

Sears, Roebuck and Co., D/817 WA, Hoffman Estates, IL 60179

SAFETY GUIDELINES - DEFINITIONS

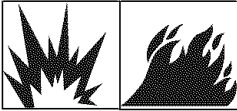

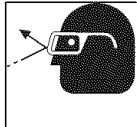
This manual contains information that is important for you to know and understand. This information relates to protecting **YOUR SAFETY** and **PREVENTING EQUIPMENT PROBLEMS**. To help you recognize this information, we use the symbols below. Please read the manual and pay attention to these sections.

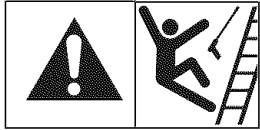




<p>⚠ DANGER indicates an imminently hazardous situation which, if not avoided, <u>will</u> result in death or serious injury.</p>	<p>⚠ CAUTION indicates a potentially hazardous situation which, if not avoided, <u>may</u> result in minor or moderate injury.</p>
<p>⚠ WARNING indicates a potentially hazardous situation which, if not avoided, <u>could</u> result in death or serious injury.</p>	<p>CAUTION used without the safety alert symbol indicates a potentially hazardous situation which, if not avoided, <u>may</u> result in property damage.</p>


10/2/97

IMPORTANT SAFETY INSTRUCTIONS

⚠ WARNING IMPROPER OPERATION OR MAINTENANCE OF THIS PRODUCT COULD RESULT IN SERIOUS INJURY AND PROPERTY DAMAGE. READ AND UNDERSTAND ALL WARNINGS AND OPERATING INSTRUCTIONS BEFORE USING.

HAZARD	WHAT CAN HAPPEN	HOW TO PREVENT IT
<p style="text-align: center;">⚠ DANGER RISK OF EXPLOSION OR FIRE</p> 	<ul style="list-style-type: none"> Spilled gasoline and its vapors can become ignited from cigarette sparks, electrical arcing, exhaust gases, and hot engine components such as the muffler. Heat will expand fuel in the tank which could result in spillage and possible fire explosion. Operating the pressure washer in an explosive environment could result in a fire. Materials placed against or near the pressure washer can interfere with its proper ventilation features causing overheating and possible ignition of the materials. Muffler exhaust heat can damage painted surfaces, melt any material sensitive to heat (such as siding, plastic, rubber, or vinyl), and damage live plants. Improperly stored fuel could lead to accidental ignition. Fuel improperly secured could get into the hands of children or other unqualified persons. Use of acids, toxic or corrosive chemicals, poisons, insecticides, or any kind of flammable solvent with this product could result in serious injury or death. 	<ul style="list-style-type: none"> Shut off engine and allow it to cool before adding fuel to the tank. Use care in filling tank to avoid spilling fuel. Move pressure washer away from fueling area before starting engine. Keep maximum fuel level 1/2" below top of tank to allow for expansion. Operate and fuel equipment in well ventilated areas free from obstructions. Equip areas with fire extinguishers suitable for gasoline fires. Never operate pressure washer in an area containing dry brush or weeds. Always keep pressure washer a minimum of four feet away from surfaces (such as houses, automobiles, or live plants) that could be damaged from muffler exhaust heat. Store fuel in an OSHA approved container, in a secure location away from work area. Do not spray flammable liquids
<p style="text-align: center;">⚠ DANGER RISK TO BREATHING</p> 	<ul style="list-style-type: none"> Breathing exhaust fumes will cause serious injury or death. Some cleaning fluids contain substances which could cause injury to skin, eyes, or lungs. 	<ul style="list-style-type: none"> Operate pressure washer in a well ventilated area. Avoid enclosed areas such as garages, basements, etc. Never operate unit in a location occupied by humans or animals. Use only cleaning fluids specifically recommended for high pressure washers. Follow manufacturers recommendations. Do not use chlorine bleach or any other corrosive compound
<p style="text-align: center;">⚠ WARNING RISK OF INJURY FROM SPRAY</p> 	<ul style="list-style-type: none"> High velocity fluid spray can cause objects to break, propelling particles at high speed. Light or unsecured objects can become hazardous projectiles. 	<ul style="list-style-type: none"> Always wear ANSI approved Z87 safety glasses. Wear protective clothing to protect against accidental spraying. Never point wand at, or spray people or animals. Always secure trigger lock when wand is not in service to prevent accidental operation. Never permanently secure trigger in pull back (open) position.

HAZARD	WHAT CAN HAPPEN	HOW TO PREVENT IT
<p>⚠ WARNING RISK OF UNSAFE OPERATION</p> 	<ul style="list-style-type: none"> Unsafe operation of your pressure washer could lead to serious injury or death to you or others. If proper starting procedure is not followed, engine can kickback causing serious hand and arm injury. The spray gun/wand is a powerful cleaning tool that could look like a toy to a child. Reactive force of spray will cause gun/wand to move, and could cause the operator to slip or fall, or misdirect the spray. Improper control of gun/wand can result in injuries to self and others. 	<ul style="list-style-type: none"> Become familiar with the operation and controls of the pressure washer. Keep operating area clear of all persons, pets, and obstacles. Do not operate the product when fatigued or under the influence of alcohol or drugs. Stay alert at all times. Never defeat the safety features of this product. Do not operate machine with missing, broken, or unauthorized parts. Never leave wand unattended while unit is running. If engine does not start after two pulls, squeeze trigger of gun to relieve pump pressure. Pull starter cord slowly until resistance is felt. Then pull cord rapidly to avoid kickback and prevent hand or arm injury. Keep children away from the pressure washer at all times. Do not overreach or stand on an unstable support. Grip gun/wand firmly with both hands. Expect the gun to kick when triggered.
<p>⚠ WARNING RISK OF ELECTRICAL SHOCK</p> 	<ul style="list-style-type: none"> Spray directed at electrical outlets or switches, or objects connected to an electrical circuit, could result in a fatal electrical shock. 	<ul style="list-style-type: none"> Unplug any electrically operated product before attempting to clean it. Direct spray away from electric outlets and switches.
<p>⚠ WARNING RISK TO FLUID INJECTION</p> 	<ul style="list-style-type: none"> Your washer operates at fluid pressures and velocities high enough to penetrate human and animal flesh, which could result in amputation or other serious injury. Leaks caused by loose fittings or worn or damaged hoses can result in injection injuries. DO NOT TREAT FLUID INJECTION AS A SIMPLE CUT! See a physician immediately! Relieve system pressure before attempting maintenance or disassembly of equipment. 	<ul style="list-style-type: none"> Never place hands in front of nozzle. Direct spray away from self and others. Make sure hose and fittings are tightened and in good condition. Never hold onto the hose or fittings during operation. Do not allow hose to contact muffler. Never attach or remove wand or hose fittings while system is pressurized. Use only hose and high pressure accessories rated for pressure higher than your pressure washer's p.s.i. To relieve system pressure, shut off engine, turn off water supply, and pull gun trigger until water stops flowing.
<p>⚠ WARNING RISK OF CHEMICAL BURN</p> 	<ul style="list-style-type: none"> Use of acids, toxic or corrosive chemicals, poisons, insecticides, or any kind of flammable solvent with this product could result in serious injury or death. 	<ul style="list-style-type: none"> Do not use acids, gasoline, kerosene, or any other flammable materials in this product. Use only household detergents, cleaners and degreasers recommended for use in pressure washers. Wear protective clothing to protect eyes and skin from contact with sprayed materials. Do not use chlorine bleach or any other corrosive compound.
<p>⚠ WARNING RISK OF HOT SURFACES</p> 	<ul style="list-style-type: none"> Contact with hot surfaces, such as engines exhaust components, could result in serious burn. 	<ul style="list-style-type: none"> During operation, touch only the control surfaces of the pressure washer. Keep children away from the pressure washer at all times. They may not be able to recognize the hazards of this product.

HAZARD	WHAT CAN HAPPEN	HOW TO PREVENT IT
<p>▲ DANGER RISK OF INJURY AND PROPERTY DAMAGE WHEN TRANSPORTING OR STORING</p> 	<ul style="list-style-type: none"> Fuel or oil can leak or spill and could result in fire or breathing hazard, serious injury or death can result. Fuel or oil leaks will damage carpet, paint or other surfaces in vehicles or trailers. 	<ul style="list-style-type: none"> If pressure washer is equipped with a fuel shut-off valve, turn the valve to the off position before transporting to avoid fuel leaks. If pressure washer is not equipped with a fuel shut-off valve, drain the fuel from tank before transporting. Only transport fuel in an OSHA approved container. Always place pressure washer on a protective mat when transporting to protect against damage to vehicle from leaks. Remove pressure washer from vehicle immediately upon arrival at your destination.



Safety Alert - Read Owner's Manual



On Off



Stop



Fuel Shutoff



Fuel



Choke

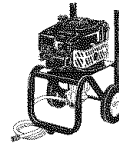
▲ CAUTION The powerful spray from your pressure washer is capable of causing damage to surfaces such as wood, glass, automobile paint, auto striping and trim, and delicate objects such as flowers and shrubs. Before spraying, check the item to be cleaned to assure yourself that it is strong enough to resist damage from the force of the spray. Avoid the use of the concentrated spray stream except for very strong surfaces like concrete and steel.

Operating without flow of water will result in equipment damage. Operating the pressure washer with water supply shutoff will void your warranty. You should never run this pressure washer for more than 2 minutes without pulling the trigger to allow cool water to enter the pump and the heated (recirculated) water to exit.

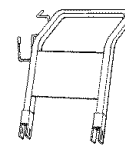
ASSEMBLY

Carton Contents

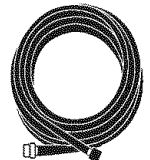
- Main Unit pressure washer with wheels
- Handle
- High Pressure Hose
- Chemical Pickup Hose and Filter
- Gun
- Wand



Main Unit Pressure Washer with Wheels



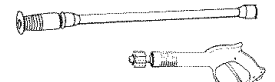
Handle



High Pressure Hose



Chemical Pickup Hose and Filter



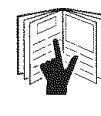
Gun and Wand

Bag Containing

- Video Cassette
- Owner's Manual
- Nozzle Cleaning Kit and Replacement O-Rings
- Engine Oil
- Rubber Isolator and Mounting Hardware
- Handle Mounting Hardware



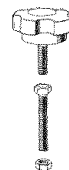
Video Cassette



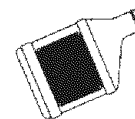
Owner's Manual



Nozzle Cleaning Kit



Handle Mounting Hardware



Engine Oil



Rubber Isolator and Mounting Hardware



Replacement O-Rings

Tools Required for Assembly

Adjustable wrench

Allen wrench

Remove Pressure Washer from Carton

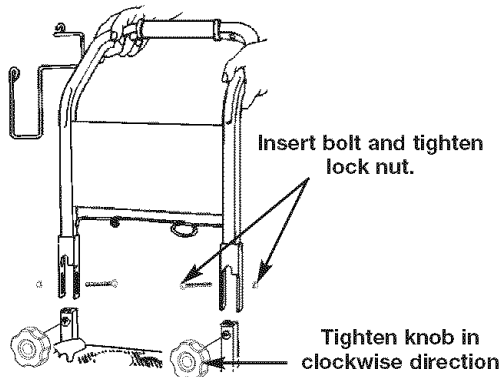
- Open carton from the top. Locate and remove from box the handle, gun, wand, videotape, and oil.
- Cut carton along dotted lines.
- Remove all carton inserts.
- Roll unit through opening in carton.

NOTE: The hose is located at the bottom of the box.

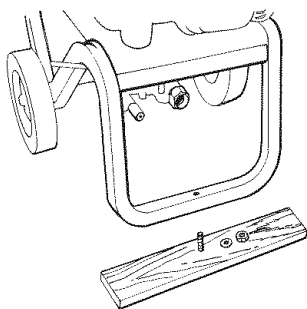
Preparing the Pressure Washer for First Use

Note: Included with your pressure washer is a video cassette tape on how to prepare your unit for operation. It is recommended you view this tape before performing the next steps.

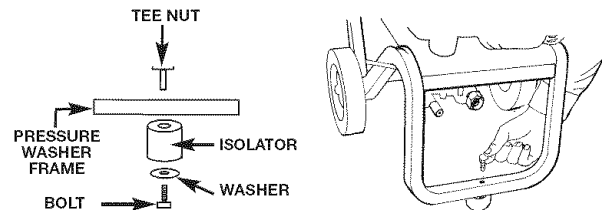
1. Insert handle onto frame.
 - Insert knobs into the threaded slot in front of the frame handle and tighten by turning in a clock-wise direction.
 - Slide bolts into the slot in the side of the frame handle and tighten the nuts by turning in a clock-wise direction.



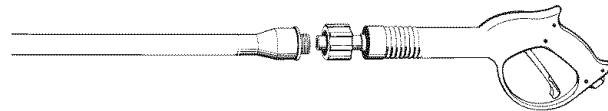
2. Using an adjustable wrench, remove nut from bolt that attaches board to frame. Remove wood plank from the frame of the unit. Discard bolt and board.



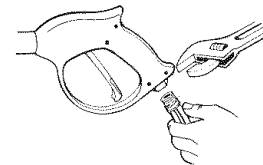
3. Mount the rubber isolator to the frame. To mount isolator place threaded end of bolt through the washer.
 - Next with washer on bolt place threaded end of bolt through the larger hole in bottom of the rubber isolator.
 - Place threaded portion of bolt through the same hole location the wood plank was mounted to on the pressure washer.
 - Next place the tee nut over the threaded portion of the bolt and use the Allen wrench provided to tighten isolator to the frame.



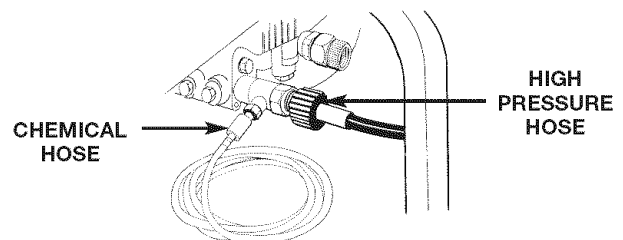
4. Connect wand extension to gun. To tighten, turn knob in clockwise direction. Hand tighten.



5. Remove tie wrap off of high pressure hose. Unwind high pressure hose and attach the threaded end to the gun. Tighten with adjustable wrench.

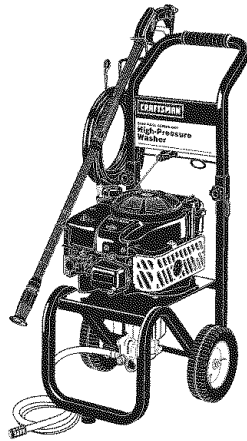


6. Connect high pressure hose to outlet on pressure washer and hand tighten firmly. Connect chemical pickup hose to hose barb on pump.



NOTE: Always keep hose away from engine muffler.

- Place assembled gun and wand on pressure washer holder.



- Place pull cord into the wire bracket holder. Pull the cord under the wire bracket to the right of the wire loop. Lift the pull cord handle up and slide the cord to the left, sliding the cord into the wire loop. Next slide handle behind the wire bracket to the left of the wire loop. Engine recoil will pull the cord into its final position.

Checklist

Before going any further please review the following:

- Be sure you have completed assembly instructions.
- Double check all fittings to be sure they are tight.

IMPORTANT: Before any attempt to start your pressure washer be sure to check engine oil (See Operation under Engine Oil.)

OPERATION

Know Your High Pressure Washer

Read this Owner's Manual and Safety Rules before operation of your High Pressure Washer

Compare this illustration with our pressure washer to familiarize yourself with the location of various controls and adjustments. Save this manual for future reference.

PUMP- Develops high pressure.

PRESSURE REGULATOR- Allows you to adjust the pressure of the outlet stream.

ENGINE RUN/STOP SWITCH- Sets engine in starting mode for recoil starter — **Stops** running engine.

RECOIL STARTER- Used for starting the engine manually.

SPRAY GUN ASSEMBLY (Contains Gun and Wand)- Controls the application of water onto cleaning surface with trigger device.

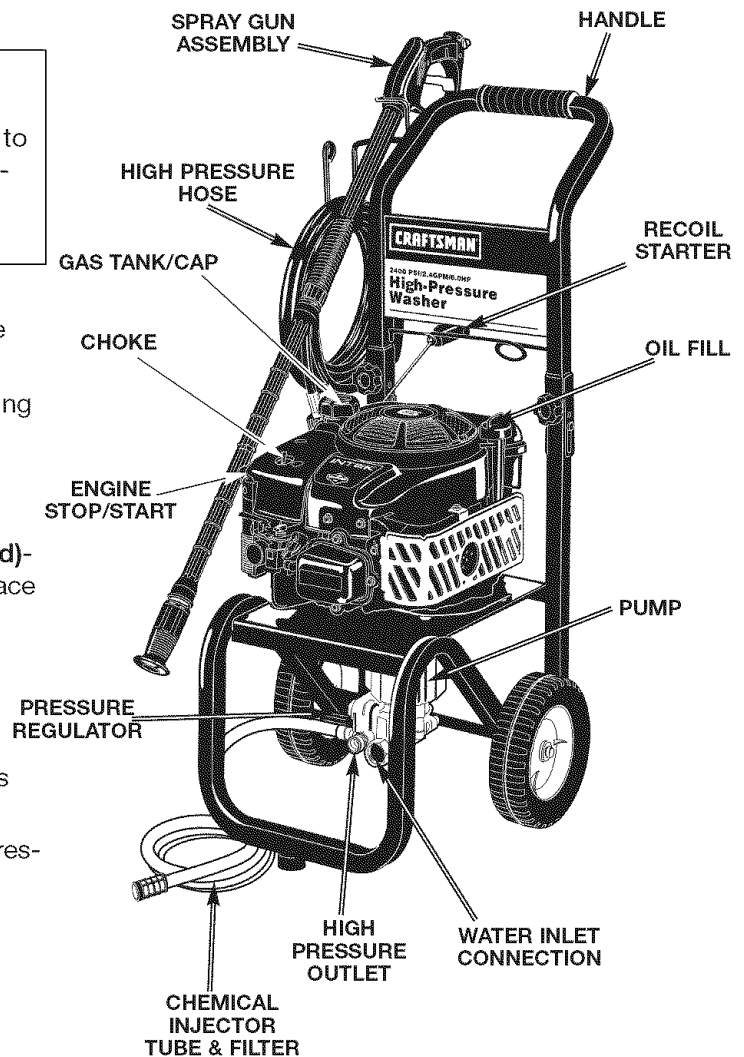
OIL FILL- Port where engine oil is poured.

GAS TANK/CAP- Cap is removed and unleaded gasoline is poured.

CHEMICAL INJECTION TUBE AND FILTER- Mixes water and detergent in outlet water flow.

HIGH PRESSURE OUTLET- Connection for high pressure hose.

CHOKE- Lever used for starting unit.



⚠ WARNING Read Owner's Manual. Do not attempt to operate equipment until you have read Owners Manual for Safety, Operation, and Maintenance Instructions.

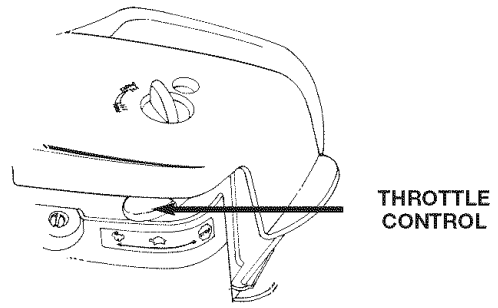
Note: Included with your unit is a video cassette that demonstrates how to operate your pressure washer. If you have a video cassette recorder you should to view the video before operation.

⚠ WARNING Never adjust spray pattern when spraying. Never put hands in front of spray nozzle to adjust spray pattern you could be injured.

Stopping Your Pressure Washer

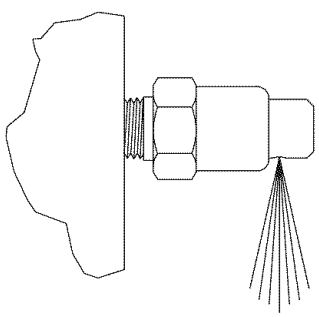
⚠ CAUTION Do not run pump without the water supply connected and turned on. Failure to do so will result in pump damage.

- Move throttle control to the stop position to turn pressure washer off.



- Simply shutting OFF engine will not release pressure in the system. After engine has stopped, squeeze the trigger on the spray gun for about 3 seconds to relieve pressure. Spray stream will decrease in length.

IMPORTANT: This unit is equipped with a thermal relief valve. If unit is allowed to run for several minutes without pressing the trigger on the spray gun, several drops of water may be released through this valve to cool the unit. This small amount of water will drip from the bottom of the pump.



Before Starting The Engine

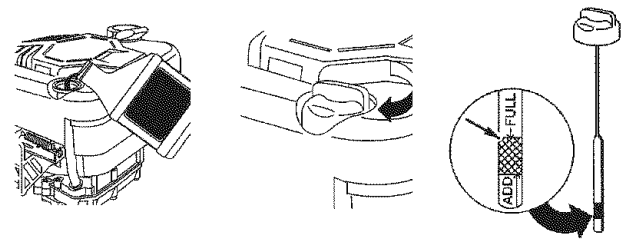
To operate the engine you will need to do the following.

Note: Your pressure washer pump is a sealed pump, you should never have to add or change the oil.

⚠ CAUTION Always check engine oil level before every start. Running engine low of oil or out of oil could result in serious damage.

Engine Oil

Your unit has been shipped **without** oil in the engine. A bottle of SAE 30 weight oil is included in the carton. Remove oil dip stick located on top of the engine. Oil capacity is about 20 ounces of oil. The oil dip stick is clearly marked with a line that tells you when unit has enough oil. To check oil, place dipstick into oil fill. Tighten dipstick then remove. Do not fill above this point. Pour slowly.



NOTE: When adding oil to the engine crankcase, use a high quality detergent oil classified "For Service SF, SG, SH", rated SAE 30 weight. Use no special additives. Select the oil's viscosity grade according to your expected operating temperatures.

colder	<-----	40°F	----->	warmer
Synthetic	5W-30		SAE 30	

Although multi-viscosity oils (5W30, 10W30, etc.) improve starting in cold weather, these multi-viscosity oils will result in increased oil consumption when used above 40°F. Check your engine oil level more frequently to avoid possible damage from running low on oil. Oil sump capacity is 20 ounces.

Gasoline

Your pressure washer engine is 4 cycle. Use unleaded fuel only.

⚠ CAUTION Do not overfill the fuel tank. Always allow room for fuel expansion.

⚠ WARNING Never fill fuel tank indoors. To avoid explosion and injury, never fill fuel tank when engine is running or hot. Do not smoke or have open flame when filling fuel tank.

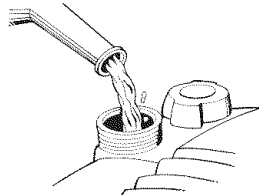
Use clean, fresh, regular unleaded gasoline with a minimum of 85 octane. Do not mix oil with gasoline. If unleaded fuel is unavailable leaded fuel may be used.

IMPORTANT: It is important to prevent gum deposits from forming in essential fuel system parts such as the carburetor, fuel filter, hose or tank during storage. Also, experience indicates that alcohol-blended fuels (called gasohol or using ethanol or methanol) can attract moisture which leads to separation and formation of acids during storage. Acidic gas can damage the fuel system of an engine while in storage. To avoid engine problems, the fuel system should be emptied before storage of 30 days or longer. Never use engine or carburetor cleaner products in the fuel tank or permanent damage may occur.

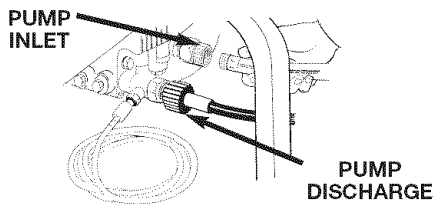
CAUTION Never start pressure washer without water source turned on and connected to pressure washer. Failure to do so will cause pump damage.

To Start Your Pressure Washer

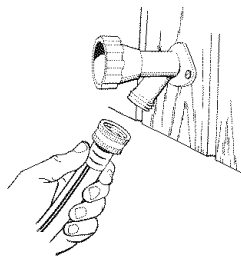
- Remove gas cap.
- Add unleaded gasoline, slowly, to fuel tank.
- Do not overfill.



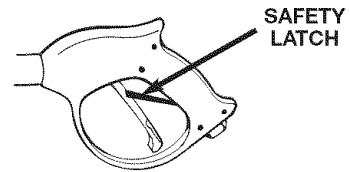
- Connect garden hose to the water inlet on the pressure washer. Tighten by turning counterclockwise.



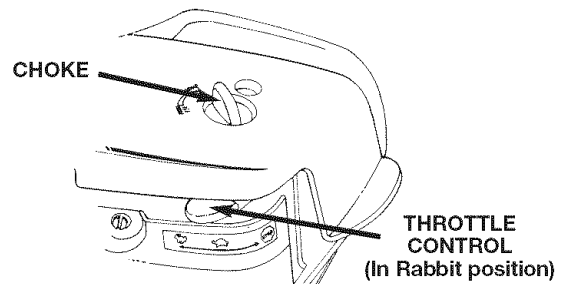
- Connect high pressure hose to discharge on pump.
- Connect the garden hose to the water spout and turn water supply on.



- Squeeze trigger on pressure washer wand to relieve air pressure caused by turning on the water. Water will spew out of the gun in a thin stream. This will make it easier to start the engine.
- Engage the safety latch on the spray gun. This locks the trigger in place and keeps you from accidentally spraying a high pressure stream.



- On the engine there is a choke/run lever. Place lever to the choke position.
- On the engine there is a throttle control lever. Place throttle to the rabbit position. Always start engine with throttle in the rabbit (high speed) position.



- Grasp the starter grip and pull slowly until resistance is felt, then pull firmly to start engine.

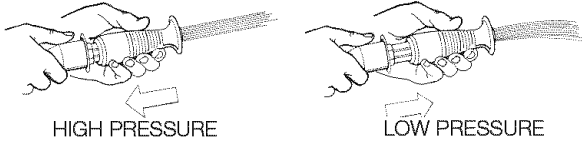
NOTE: If engine does not start right away, squeeze the trigger on the gun to relieve air pressure caused by turning on the water. Water will spew out of the gun in a thin stream. This will make it easier to pull start the engine. If more than five pulls, place choke lever back to run position.

- When engine starts, gradually move choke lever to RUN position.
- For hot engine restarts, make sure throttle is in the rabbit (high speed) position and the choke lever is in the RUN position.
- Grasp the starter grip and pull slowly until resistance is felt, then pull firmly to start engine.

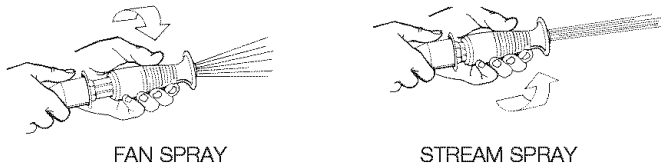
How To Use Your Pressure Washer

On the end of your spray gun is a nozzle that you can slide forward and backward and that you can also twist from side to side. With the adjustable nozzle you can adjust the spray pattern to either high pressure or low pressure. You can also adjust the spray so it is concentrated in a stream pattern or expanded into a fan pattern.

- Slide the nozzle in a forward position to draw chemical and achieve low pressure. Pull nozzle back for high pressure.



- To adjust your spray pattern twist the nozzle clockwise for fan spray or counterclockwise for stream spray.

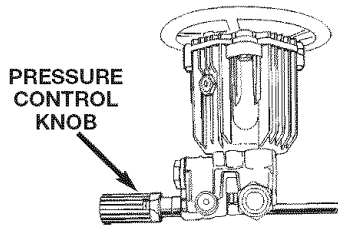


- For most effective cleaning, keep spray nozzle between 8 and 24 inches from cleaning surface.

IMPORTANT: If you get spray nozzle too close especially on high pressure, you may damage the surface you are cleaning.

- The pressure control knob is located on the pump. You can increase the pressure by turning the knob clockwise or decrease the pressure by turning the knob counterclockwise.

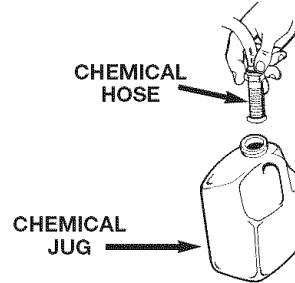
NOTE: This unit is set at its maximum pressure at the factory. Do not attempt to adjust the pressure higher than this factory setting.



Using Soaps/Chemicals

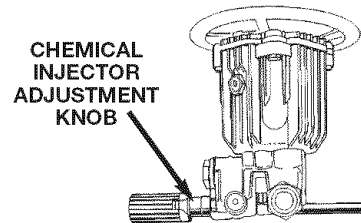
IMPORTANT: Use soaps and chemicals that are designed specifically for use with pressure washers. To apply soaps/chemicals follow these steps:

- Prepare the soap/chemical as required by your job.
- Insert soap/chemical line into your container (soap/chemicals and container not included).



- Slide the adjustable nozzle forward to low pressure mode. Soap/chemicals cannot be applied with nozzle in high pressure position.
- Review the use of the adjustable nozzle.
- Connect garden hose to water inlet (see "To Start Your Pressure Washer" on page 9). Check that high pressure hose is connected to spray gun and pump (see *Assembly*), and start engine.
- Apply soap/chemicals to dry surface, starting from the bottom and working up.
- Allow the soap/chemicals to soak in between 3-5 minutes before washing and rinsing.
- When rinsing on high pressure, start at lower portion of area to be washed and work upward, using long, even, overlapping strokes.

NOTE: Your pressure washer is equipped with a chemical injector adjustment knob. With the knob fully opened you will get a maximum chemical draw. With knob fully closed you will get **no** chemical draw. Turn knob in counterclockwise direction to achieve more chemical draw and clockwise for less chemical draw.



MAINTENANCE

CUSTOMER RESPONSIBILITIES TABLE

MAINTENANCE TASK	Before each use	Every 25 hours or yearly	Every 50 hours or yearly	Every 100 hours or yearly
PRESSURE WASHER				
check/clean inlet screen	X			
check high pressure hose	X			
check soap and chemical hose and filter	X			
check gun and wand for leaks	X			
purge pump of air and contaminants	X			
ENGINE				
check oil level	X			
change oil			X	
clean air cleaner and precleaner		X		
clean/replace spark plug				X
clean engine muffler & finger guard				X
prepare for storage	Prepare unit for storage if it is to remain idle for longer than 30 days			

Product Specifications

Pressure Washer Specifications

Pressure	2400
Flow Rate	2.4 GPM
Cleaning Units (psi x GPM)	5760

Engine Specifications

RPM	3600
Rated Horsepower	6.0
Spark Plug Gap	.030" (0.76mm)
Gasoline Capacity	1.5 quarts
Oil (22 oz. capacity)	SAE 30 weight

General Recommendations

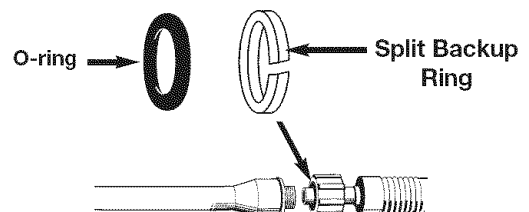
The warranty of the high pressure washer does not cover items that have been subjected to operator abuse or negligence. To receive full value from the warranty, operator must maintain high pressure washer as instructed in this manual.

Some adjustments will need to be made periodically to maintain your high pressure washer.

Once a year you should clean or replace the spark plug, and clean or replace the air filter, and thoroughly check the gun and wand assembly for wear. A clean spark plug and clean air filter assure proper fuel-air mixture and help your engine run better and last longer.

Your pressure washer pump is a sealed pump; you should never have to add or change the oil.

NOTE: Over time the o-rings in the gun assembly become worn. Attached to your owners manual is a replacement o-ring and split backup ring.



Pressure Washer Maintenance

Check and Clean Inlet Screen: Examine inlet screen on pump inlet fitting. Clean if clogged; replace if torn.

Check High Pressure Hose: High pressure hose can develop leaks from wear, kinking, abuse. Inspect hose each time before use. Check for cuts, leaks, abrasions or bulging of cover, and damage or movement of couplings. If any of these conditions exist, replace hose immediately.

Check Chemical/Soap Hose: Examine the chemical/soap hose and clean if clogged. Hose should fit tightly on pump fitting. Check for leaks and tears. Replace filter or hose if either is damaged.

Check Gun and Wand: Examine hose connection to gun making sure it is secure. Test trigger by pressing it and making sure it springs back into place when you release it.

Pump Maintenance (Changing Pump Oil)

Your pressure washer pump is a sealed pump, you should never have to change oil.

Purge Pump of Air and Contaminants

To remove the air from the pump, follow these steps:

- Set up the pressure washer as described in ASSEMBLY section and connect the water supply.
- Remove the wand extension from the spray gun.
- Pull the trigger on the gun and hold.

To remove the contaminants from the pump, follow these steps:

- Set up the pressure washer as described in ASSEMBLY section, connect the water supply.
- Remove the wand extension from the spray gun.
- Start the engine according to instructions in the OPERATION section.
- Pull the trigger on the gun and hold.
- When the water supply is steady and constant, disengage trigger and refasten the wand extension.

Engine Maintenance

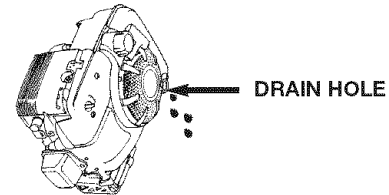
Check Oil Level

- Oil level should be checked prior to each use or at least every 5 hours of operation. To check oil see **Engine Oil** on page 8.

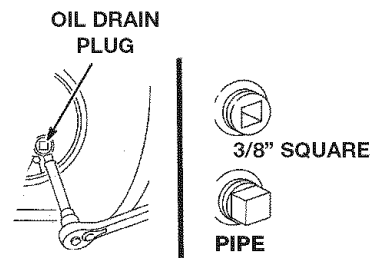
Changing Engine Oil

- Change oil while engine is still warm. Preferably drain oil from top of engine as illustrated below. Drain oil with air cleaner side up. Oil can be drained from engine bottom if necessary.

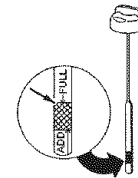
IMPORTANT: Before tipping engine or equipment to drain oil, drain fuel from tank by running engine until fuel tank is empty.



- To drain oil from bottom of engine, remove drain plug as illustrated below. Allow oil to drain and replace drain plug. Remove dipstick and refill with new oil of recommended grade. Start and run engine at idle for 30 seconds.

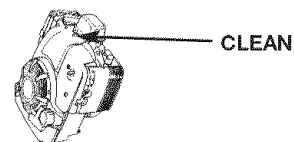


- Stop engine. Wait 30 seconds and re-check oil level. If required, add oil to bring level to FULL mark on dipstick.



Check Engine – Finger Guard/Muffler

- Do not clean engine with a forceful spray of water because water could contaminate fuel system. With a brush or cloth, clean any debris from finger guard after every use to prevent engine damage caused by overheating.



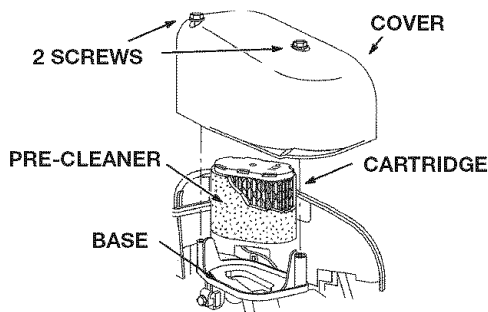
- Before running engine, clean muffler area to remove all grass and combustible debris.



Clean Pre-Cleaner and Air Cleaner Cartridge

Your engine is equipped with an oval dual element air cleaner: the two elements include a foam pre-cleaner and an air cleaner cartridge.

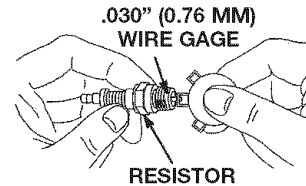
- To remove the air cleaner element, loosen two cover screws and lift cover. Carefully remove foam pre-cleaner and air cleaner cartridge.
- To clean pre-cleaner and air cleaner cartridge, wash in liquid detergent and water. Allow to dry thoroughly before using. Do not oil the pre-cleaner or cartridge. Replace if very dirty or damaged.
- After cleaning the pre-cleaner and air cleaner cartridge, replace pre-cleaner on air cleaner cartridge.
- Install air cleaner assembly (pre-cleaner and cartridge) in base. Then install cover on air cleaner and tighten screws securely to base.



NOTE: Do not use petroleum solvents, e.g., kerosene, which will cause the cartridge to deteriorate. Do not use pressurized air to clean cartridge. Pressurized air can damage the cartridge.

Clean and Replace Spark Plug

Change the spark plug every 100 hours of operation or once each year, whichever comes first. This will help your engine to start easier and run better.



SERVICE AND ADJUSTMENTS

Carburetor

The carburetor of your high pressure washer is pre-set at the factory. The carburetor should not be tampered with. If your pressure washer is used at an altitude in excess of 5000 feet consult with your nearest Sears Service Center regarding high altitude set changes.

CAUTION Engine speed was properly adjusted at the factory and should require no additional adjustment. Do not attempt to change engine speed. If you believe the engine is running too fast or too slow, take your pressure to a Sears Authorized Service Center for repair and adjustment.

WARNING High engine speeds are dangerous and increase the risk of personal injury or damage to equipment.

CAUTION Low engine speeds impose a heavy load on the engine and could shorten engine life.

Nozzle Cleaning

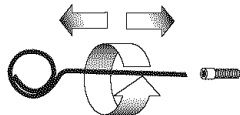
If the nozzle becomes clogged with foreign materials, such as dirt, excessive pressure may develop. If the nozzle becomes partially clogged or restricted, the pump pressure will pulsate. Clean the nozzle immediately using the nozzle kit supplied and the following instructions.

1. Shut off the pressure washer and turn off the water supply.
2. Disconnect spark plug wire.

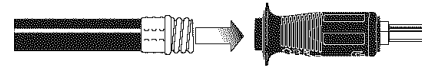
3. Pull trigger on gun handle to relieve any water pressure.
4. Disconnect the wand from the gun.
5. Remove nozzle from the the end of the wand with the 2mm Allen wrench provided.



6. Clean the nozzle using the nozzle cleaner provided or a straightened paper clip. Insert into the nozzle end and work back and forth until obstructions is removed.



7. Direct water supply into nozzle end to back flush loosened particles for 30 seconds.



8. Reassemble the nozzle to the wand. Tighten securely to prevent leaks.
9. Reconnect wand to gun and turn on water supply.
10. Start pressure washer and place wand into high pressure setting to test.

STORAGE

Preparing Pressure Washer for Storage

NOTE: If you do not plan to use your unit for 30 days or more, unit should be prepared for storage.

IMPORTANT: It is important to prevent gum deposits from forming in essential fuel system parts such as the carburetor, fuel filter, hose or tank during storage. Also, experience indicates that alcohol-blended fuels (called gasohol or using ethanol or methanol) can attract moisture which leads to separation and formation of acids during storage. Acidic gas can damage the fuel system of an engine while in storage. To avoid engine problems, the fuel system should be emptied before storage of 30 days or longer. Never use engine or carburetor cleaner products in the fuel tank or permanent damage may occur.

Engine Preparation

- First add a fuel stabilizer to the fuel tank.
- Run pressure washer for a full 5 minutes to allow fuel stabilizer to enter the fuel system.
- Next shut off engine and disconnect the water supply.
- Disconnect the spark plug wire and remove the spark plug.
- Add one teaspoon of oil through the spark plug hole.
- Place rag over spark plug hole and pull the recoil a few times to lubricate the combustion chamber.
- Replace the spark plug, but do not connect the spark plug wire.

CAUTION While preparing the engine make sure water supply is turned on and flowing to the unit. **NEVER** run unit without water supply running through pump. Failure to do so will cause pump damage.

Pump Preparation

This pressure washer should be stored in such a way to protect it from freezing. Do not store this unit outdoors or in an area where temperatures will fall below 32° F. This can cause extensive damage to this unit.

If unit has to be stored under freezing conditions a non-toxic R.V. anti-freeze should be put in the pump according to steps below to protect from freezing.

- Be sure engine switch is in "OFF" position and spark plug wire has been removed from spark plug.
- Pull the trigger on the spray gun to release the pressure in the high pressure hose. Detach high pressure hose and garden hose from the unit.
- Pull the recoil on the engine 4 to 6 times to discharge remaining water in pump.
- Tip the unit on the end with the water inlet fitting pointing upward.
- If unit will be stored where temperatures fall below 32°F, pour approximately 1/4 cup of non-toxic R.V. anti-freeze down the fitting where the water hose
- Set unit upright and pull starter handle on engine 4 to 6 times to circulate anti-freeze in pump until anti-freeze is discharged from the pump.

TROUBLESHOOTING

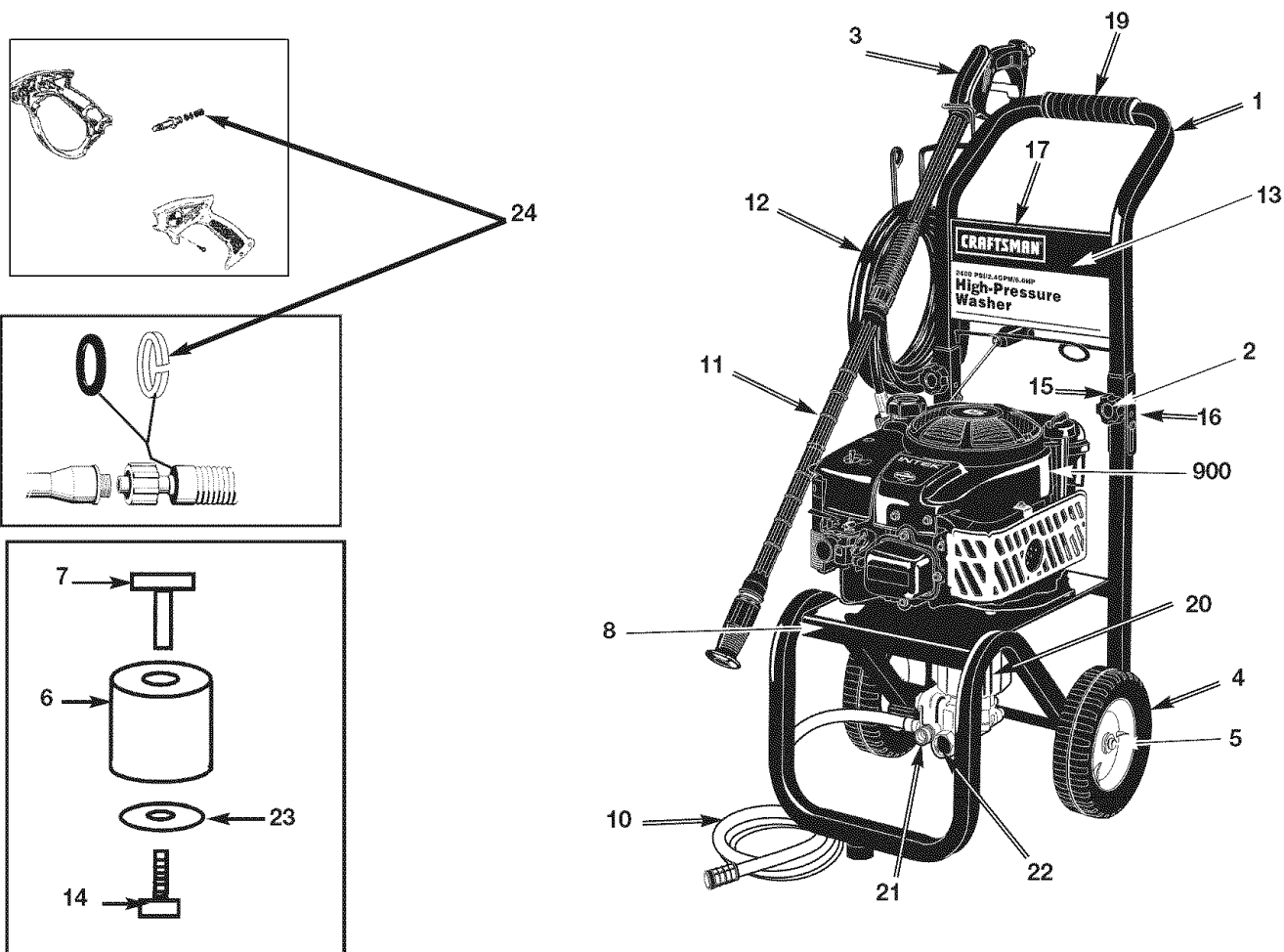
PROBLEM	CAUSE	CORRECTION
Engine will not start (see Engine Manual for further engine troubleshooting)	1. No fuel. 2. Pressure builds up after two pulls on the recoil starter or after initial use. 3. Not primed or choked. 4. Spark plug wire not attached. 5. Choke lever in the "Choke" position on a "hot" engine or an engine that has been exposed to thermal heat for a long period of time.	1. Add Fuel. 2. Squeeze gun trigger to relieve pressure. 3. Push primer bulb 3 times or choke engine. 4. Attach spark plug wire. 5. Move choke to the "No Choke" position.
No or low pressure (initial use)	1. Wand not in high pressure. 2. Low water supply. 3. Leak at high pressure hose. 4. Nozzle obstructed. 5. Water filter screen clogged. 6. Air in hose. 7. Choke lever in the "Choke" position. 8. Throttle control lever is not in the "Fast" position. 9. High pressure hose is too long.	1. See How to Use Wand paragraph in the Operation Section. 2. Water supply must be at least 5 GPM @ 20 PSI. 3. Repair leak. Apply Teflon tape if necessary. 4. Clean nozzle with paper clip or nozzle cleaning tool, pour water into nozzle end to flush out obstruction. 5. Remove and clean filter. 6. Turn off the engine, then the water source. Disconnect the water source from the pump inlet and turn the water source on to remove all air from the hose. When there is a steady stream of water present, turn water source off. Reconnect water source to pump inlet and turn on water source. Squeeze trigger to remove remaining air. 7. Move choke to the "No Choke" position. 8. Move throttle control lever to the "Fast" position. 9. Use high pressure hose under 100 feet.
Will not draw chemicals	1. Wand not in low pressure. 2. Chemical filter clogged. 3. Chemical screen not in chemical 4. Chemical adjustment knob closed. 5. Chemical too thick 6. Pressure hose is too long 7. Chemical build up in chemical injector.	1. See How to Use Wand paragraph in the Operation Section. 2. Clean filter. 3. Insure end of chemical hose is fully submerged into chemical. 4. Turn knob fully counterclockwise to open. 5. Dilute chemical. Chemical should be the same consistency as water. 6. Lengthen water supply hose instead of pressure hose. 7. Have parts cleaned or replaced by AWSC.

PROBLEM	CAUSE	CORRECTION
No or low pressure (after period of normal use.)	<ol style="list-style-type: none"> 1. Worn seal or packing. 2. Worn or obstructed valves. 3. Worn unloader piston. 	<ol style="list-style-type: none"> 1. Have replaced by AWSC. 2. Have replaced by AWSC. 3. Have replaced by AWSC.
Water leaking at gun/wand connection	<ol style="list-style-type: none"> 1. Worn or broken o-ring. 2. Loose hose connection. 	<ol style="list-style-type: none"> 1. Check and replace. 2. Tighten.
Water leaking at pump	<ol style="list-style-type: none"> 1. Loose connections. 2. Piston packings worn. 3. Worn or broken o-rings. 4. Pump head or tubes damaged from freezing. 	<ol style="list-style-type: none"> 1. Tighten. 2. Have replaced by AWSC. 3. Have replaced by AWSC. 4. Have replaced by AWSC.
Oil leaking at pump	<ol style="list-style-type: none"> 1. Oil seals worn. 2. Loose drain plug. 3. Worn drain plug, o-ring 4. Worn fill plug o-ring. 5. Pump overfilled. 6. Incorrect oil used. 7. Vent plug is clogged. 	<ol style="list-style-type: none"> 1. Have replaced by AWSC. 2. Tighten. 3. Check and replace. 4. Check and replace. 5. Check for correct amount. 6. Drain and fill with correct amount and type of oil. 7. Clean vent plug; blow air through it to remove any blockage. If problem persists, replace plug.

PARTS/PARTES

CRAFTSMAN 2400 PSI HIGH PRESSURE WASHER 919.769010

CRAFTSMAN 2400 PSI MAQUINA LAVADORA DE ALTA PRESION 919.769010



REF NO.	PART NUMBER	DESCRIPTION
1	17715	Handle
2	C042	Knob - 5/16"
3	17628	Gun
4	17709	Tire Semi (7 x 1 3/4")
5	W137	Nut Pal 1/2"
6	16371	Rubber Foot, Hollow
7	W131	Tee Nut 5/160" x 3/4"
8	17713	Frame
10	H140	Hose, Chemical
11	17774	Lance, Multi-Reg
12	16467	Hose
13	17569	Decal Craftsman
14	F064	Screw - Hex 5/16" - 18 x 1LG
15	F469	Lock Nut 5/16"
16	17712	Screw HHC, 5/16"
17	17716	Decal Operation
19	17367	Handle Grip
900	----	Engine (Refer to Engine Break-down (Model 120602-01350-E2)
20	PK16482	Pump
21	16829	Garden Hose Adapter 1/2"
22	F504W	3/8" Coupling
23	F112	Washer
24	AL-650015	O-Ring Kit

PARTS NOT ILLUSTRATED

MGP-769010	Owners Manual
NCT001	Nozzle Cleaning Kit
F101	Screw, Hex-Engine to Pump
F196	Screw, Hex-Engine to Pump
16087	Nut Flanghead-Engine to Pump
F074	Washer Flat-Engine to Pump
16505	Thermal Relief Valve

ACCESSORIES
(Not Included with Pressure Washer)

919.76430	Floor/Siding Brush
919.76431	Fixed Brush
919.76450	25Ft. 3/8" high pressure hose
919.76451	50Ft. 3/8" high pressure hose
919.76484	Turbo nozzle

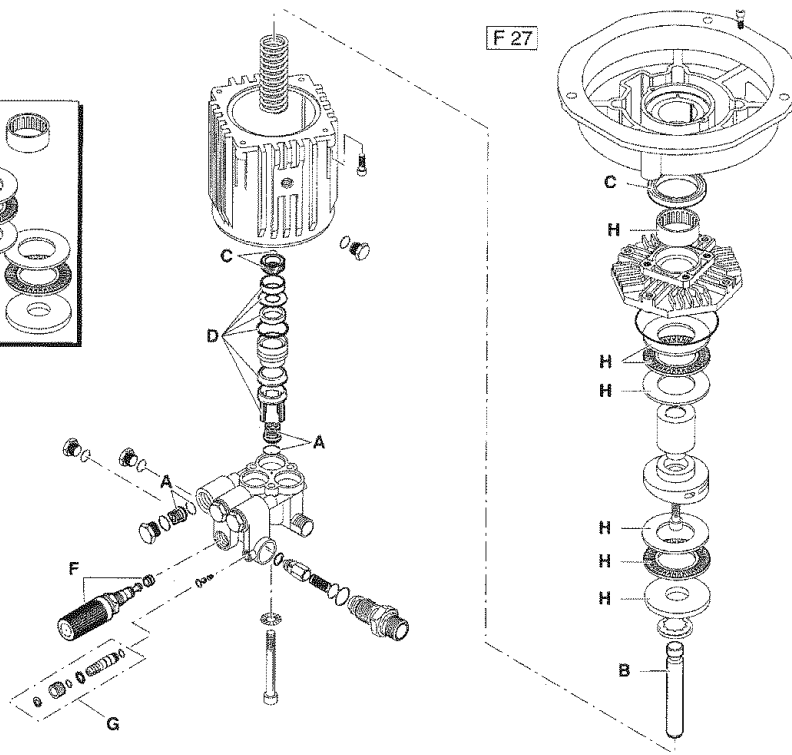
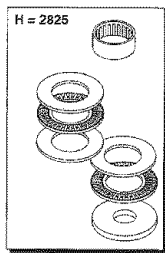
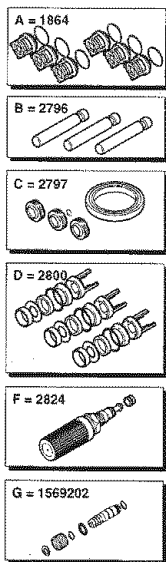
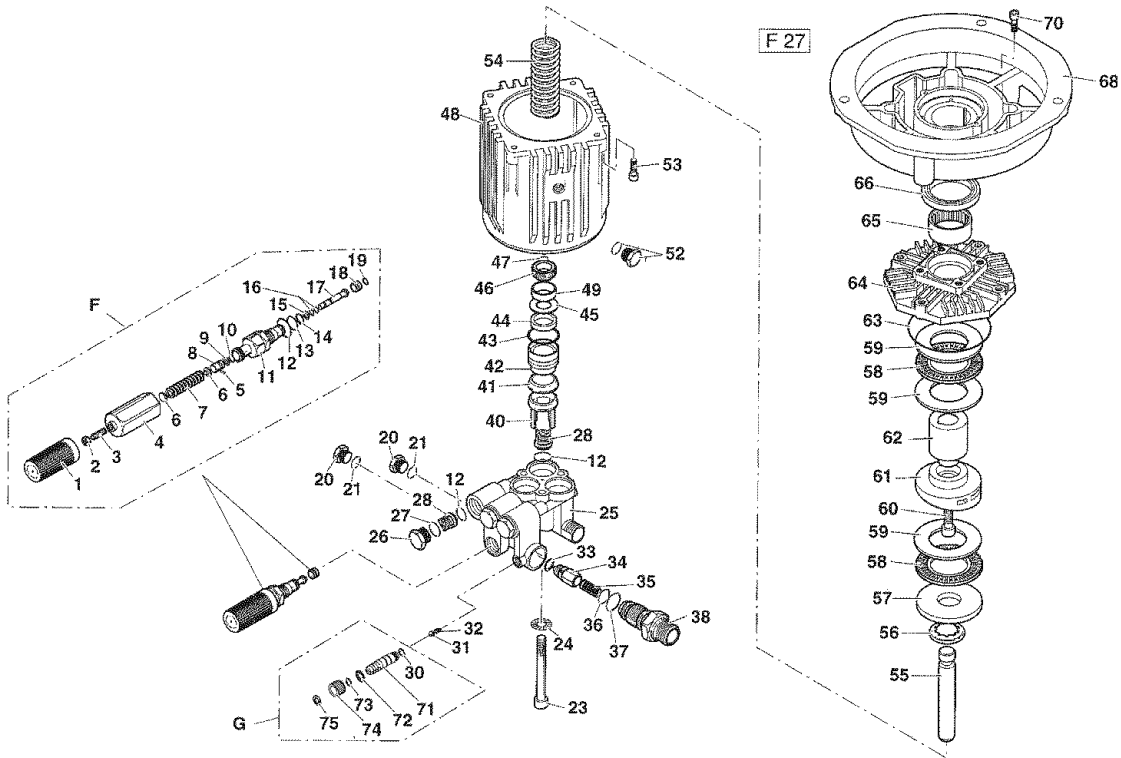
PUMP PARTS/BOMBA PARTES

CRAFTSMAN 2400 PSI HIGH PRESSURE WASHER 919.769010

PUMP BREAKDOWN MODEL PK16482

CRAFTSMAN 2400 PSI MAQUINA LAVADORA DE ALTA PRESION 919.769010

BOMBA PARTES # PK16482



PUMP PARTS/BOMBA PARTES

CRAFTSMAN 2400 PSI HIGH PRESSURE WASHER 919.769010

PUMP BREAKDOWN MODEL PK16482

CRAFTSMAN 2400 PSI MAQUINA LAVADORA DE ALTA PRESION 919.769010

BOMBA PARTES # PK16482

REF. NO.	PART NO.	DESCRIPTION	QTY.	REF. NO.	PART NO.	DESCRIPTION	QTY.
1	AR-1322520	Knob	1	37	AR-1200690	O-Ring	1
2	AR-1980300	Nut	1	38	AR-1270130	Detergent Injector	1
3	AR-1980470	Grub Screw	1	40	AR-1980190	Support Ring	3
4	AR-1980640	Handle Insert	1	41	AR-1342761	Gasket	3
5	AR-1080070	Pin	1	42	AR-1980180	Piston Guide	3
6	AR-1980220	Plate Spring	1	43	AR-770130	O-Ring	3
7	AR-1271070	Spring	1	44	AR-1260440	Gasket	3
8	AR-1080041	Upper Piston	1	45	AR-1980170	Ring	3
9	AR-1080401	Ring	1	46	AR-1980410	Seal	3
10	AR-1080250	O-Ring	1	47	AR-770090	O-Ring	1
11	AR-1980210	Piston Guide	1	48	AR-1980460	Housing	1
12	AR-880830	O-Ring	7	49	AR-1980430	Spacer	3
13	AR-740290	O-Ring	1	52	AR-1980290	Oil Plug	1
14	AR-800560	O-Ring	1	53	AR-180030	Screw	4
15	AR-1271170	Ring	1	54	AR-1980160	Spring	3
16	AR-1080190	O-Ring	2	55	AR-1980140	Piston	3
17	AR-1271160	Lower Piston	1	56	AR-1980150	Ring	3
18	AR-1980200	Valve Seat	1	57	AR-1980130	Rail	1
19	AR-1470210	O-Ring	1	58	AR-1980250	Cage	2
20	AR-880581	Plug	2	59	AR-1980240	Rail	3
21	AR-820510	O-Ring	2	60	AR-850370	Screw	1
23	AR-1980310	Screw	3	61	AR-1980070	Wobble Plate	1
24	AR-650530	Washer	3	62	AR-1980440	Hollow Shaft	1
25	AR-1980650	Pump Head	1	63	AR-1980340	O-Ring	1
26	AR-1260162	Plug	3	64	AR-1980450	Flange	1
27	AR-960160	O-ring	3	65	AR-1980230	Roller Bearing	1
28	AR-1269050	Complete Valve	6	66	AR-480671	Seal	1
30	AR-480480	O-Ring	1	68	AR-1980510	El. Motor Flange	1
31	AR-1250280	Ball	1	70	AR-1200430	Screw	4
32	AR-1560520	Spring	1	71	AR-1560650	Hose Tail	1
33	AR-1460430	O-Ring	1	72	AR-800560	O-Ring	1
34	AR-1540170	Jet	1	73	AR-480560	O-Ring	1
35	AR-1080091	Spring	1	74	AR-1560670	Knob	1
36	AR-394280	O-Ring	1	75	AR-1560660	Ring	1

PARTS KITS

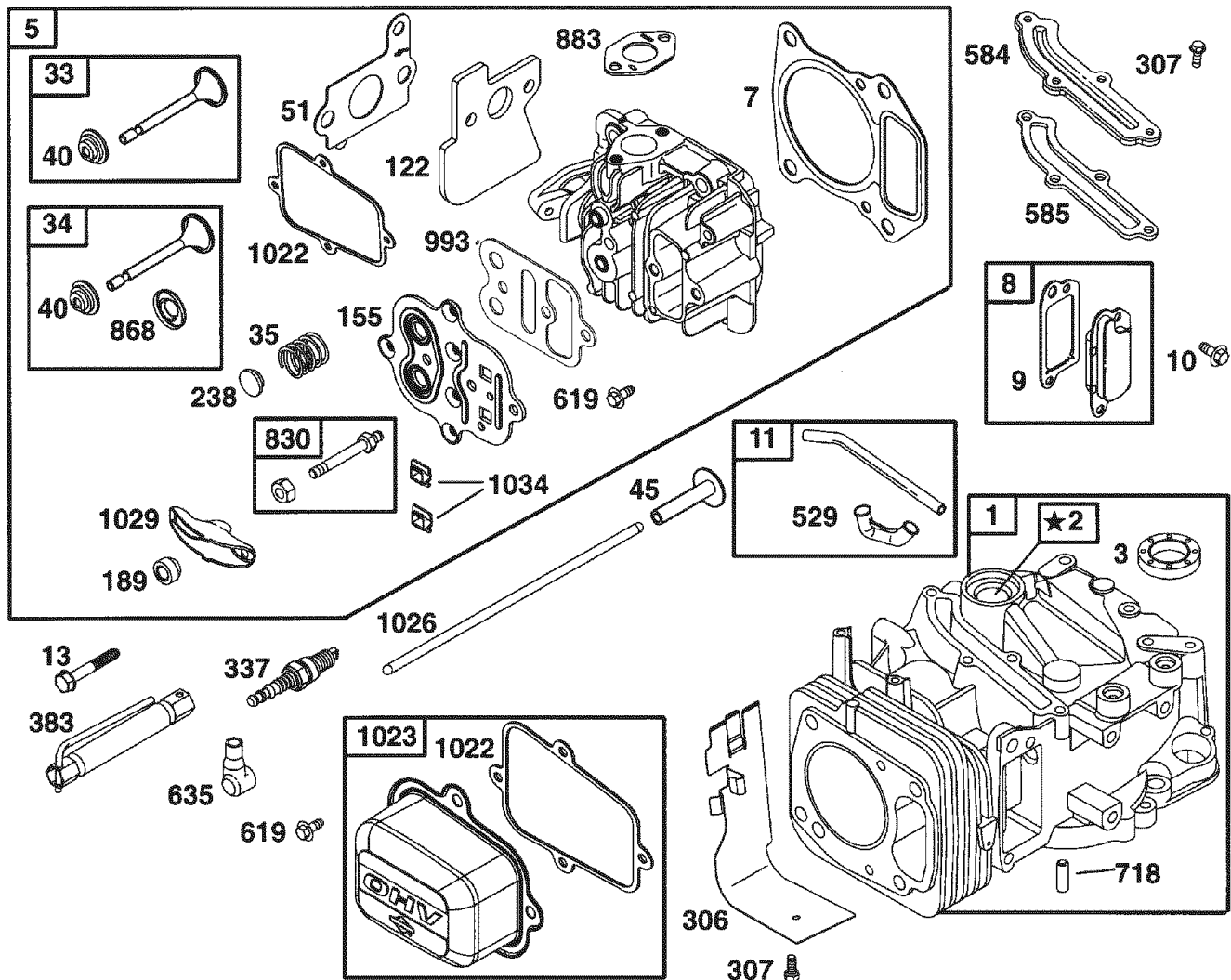
A=KIT 16739 Valves		B=KIT 16740 Pistons		C=KIT 16742 Oil Seals		D=KIT 16738 Water Seals	
Pos.	Qty.	Pos.	Qty.	Pos.	Qty.	Pos.	Qty.
12	6	55	3	46	3	40	3
28	6			47	1	41	3
				66	1	43	3
						44	3
						45	3
						49	3

F=KIT 16737 Unloader Valve			G=KIT 16741 Chemical Injector			H=KIT 16743 Bearing	
Pos.	Qty.	Pos.	Qty.	Pos.	Qty.	Pos.	Qty.
1	1	8	1	15	1	57	1
2	1	9	1	16	2	58	2
3	1	10	1	17	1	59	3
4	1	11	1	18	1	65	1
5	1	12	1	19	1		
6	2	13	1				
7	1	14	1				

ENGINE PARTS/MOTOR PARTES

CRAFTSMAN 2400 PSI HIGH PRESSURE WASHER 919.769010

BRIGGS ENGINE MODEL #120602-01350-E2



REF. NO.	PART NO.	DESCRIPTION	REF. NO.	PART NO.	DESCRIPTION	REF. NO.	PART NO.	DESCRIPTION
1	692670	Cylinder Assembly	45	262679	Tappet-Valve	619	94744	Screw-Hex.
2	399269	Bushing	51	◆◆◆692668	Gasket-Intake	635	66538	Boot-Spark Plug
3	★299819	Seal-Oil	122	◆◆◆692799	Spacer-Carburetor	718	230192	Pin-Locating
5	692800	Head-Cylinder	155	225325	Plate-Cylinder Head	830	499756	Stud-Rocker Arm
7	★△273240	Gasket-Cylinder Head	189	263108	Ball-Rocker Arm	868	★△498592	Seal-Valve
8	495786	Breather Assembly	238	263131	Cap-Valve	883	★△273348	Gasket-Exhaust
9	★272481	Gasket-Breather	306	225366	Shield-Cylinder	993	★△273346	Gasket-Plate
10	94955	Screw-Hex.	307	94515	Screw-Hex.	1019	693868	Label Kit
11	499675	Tube-Breather	337	499608	Plug-Spark	1022	★△273241	Gasket-Rocker Cover
13	95049	Screw-Hex.	383	19374	Wrench-Spark Plug	1023	499624	Cover-Rocker
33	499642	Valve-Exhaust	529	281736	Grommet	1026	498597	Rod-Push
34	499641	Valve-Intake	584	224328	Cover-Breather	1029	225246	Arm-Rocker
35	263149	Spring-Valve			Passage	1034	281621	Guide-Push Rod
40	93312	Retainer-Valve	585	★272238	Gasket-Breather			Passage

★ Included in Gasket Set-Part No. 692702.

△ Included in Valve Overhaul Kit-Part No. 692705.

◆ Included in Carburetor Kit-Part No. 692703

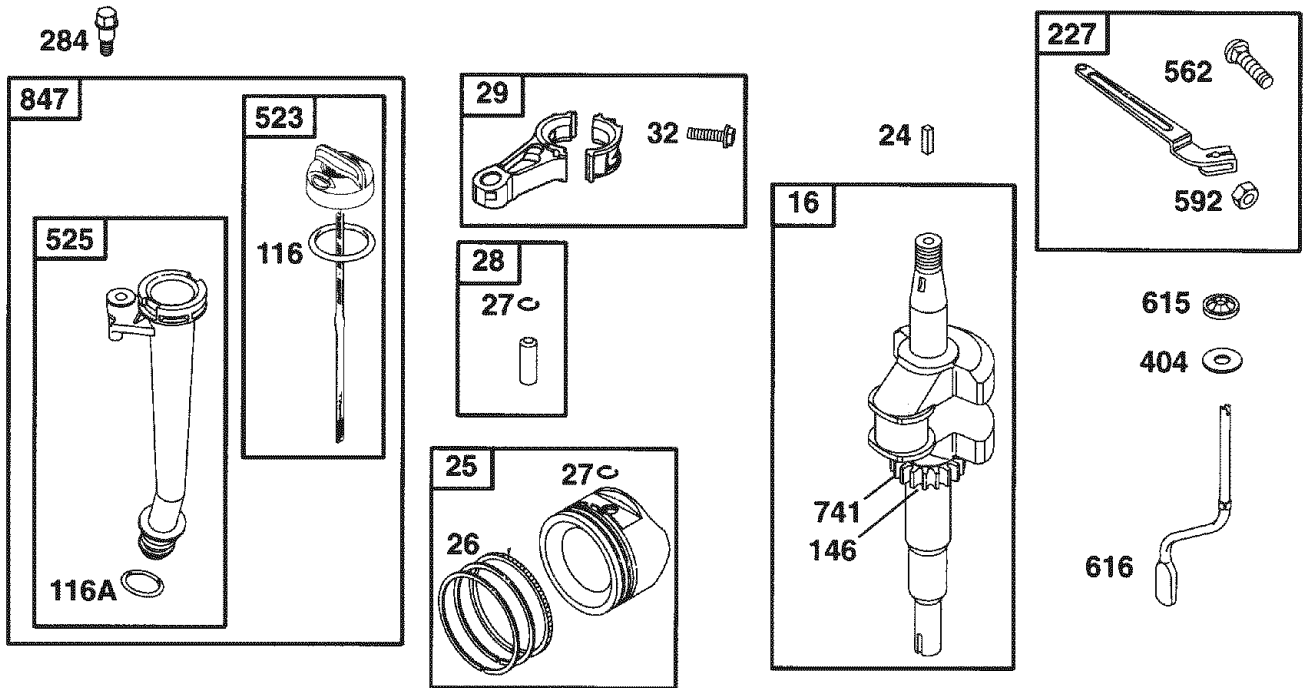
◆◆ Included in Carburetor Gasket Set-Part No. 692704.

Assemblies include all parts shown in frames.

ENGINE PARTS/MOTOR PARTES

CRAFTSMAN 2400 PSI HIGH PRESSURE WASHER 919.769010

BRIGGS ENGINE MODEL #120602-01350-E2



REF. NO.	PART NO.	DESCRIPTION	REF. NO.	PART NO.	DESCRIPTION	REF. NO.	PART NO.	DESCRIPTION	
16	693291	Crankshaft	26	499631	Ring Set (Standard)	116A	★280966	Seal-O-Ring	
24	222698	Key-Flywheel			Note	146	94388	Key-Timing	
25	499627	Piston Assembly (Standard)			692785		498772	Lever-Governor	
		Note			692785		284	94511	Screw-Shoulder
		692788			692786		404	67072	Washer
		Piston Assy. (.010" O.S.)			692787		523	499621	Dipstick
		692789					525	495265	Tube-Oil Fill
		Piston Assy. (.020" O.S.)					562	94852	Bolt-Governor Lever
		692790					592	231082	Nut-Hex.
		Piston Assy. (.030" O.S.)	27	263190	Lock-Piston Pin	615	94474	Retainer-Governor	
		(Standard)	28	499423	Pin-Piston	616	263175	Crank-Governor	
			29	499424	Rod-Connecting	741	262598	Gear-Timing	
			32	94699	Screw-Connecting Rod	847	498715	Dipstick/Tube Assembly	
			116	★280393	Seal-O-Ring				

★ Included in Gasket Set-Part No. 692702.
 Δ Included in Valve Overhaul Kit-Part No. 692705.

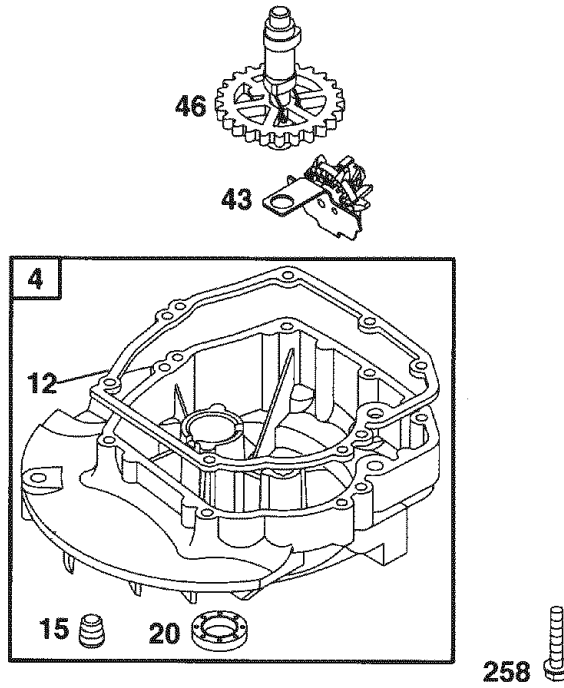
● Included in Carburetor Kit-Part No. 692703
 ◆ Included in Carburetor Gasket Set-Part No. 692704.

Assemblies include all parts shown in frames.

ENGINE PARTS/MOTOR PARTES

CRAFTSMAN 2400 PSI HIGH PRESSUIRE WASHER 919.769010

BRIGGS ENGINE MODEL #120602-01350-E2



REF. NO.	PART NO.	DESCRIPTION	REF. NO.	PART NO.	DESCRIPTION	REF. NO.	PART NO.	DESCRIPTION
4	499619	Sump-Engine	258	94220	Screw-Hex.	43	493737	Governor/Oil Slinger
12	★272198	Gasket-Crankcase			Note	46	499749	Gear-Cam
15	94880	Plug-Oil Drain			94612			
20	★399781	Seal-Oil			One Used in Hole Nearest Breather.			

★ Included in Gasket Set-Part No. 692702.

△ Included in Valve Overhaul Kit-Part No. 692705.

● Included in Carburetor Kit-Part No. 692703

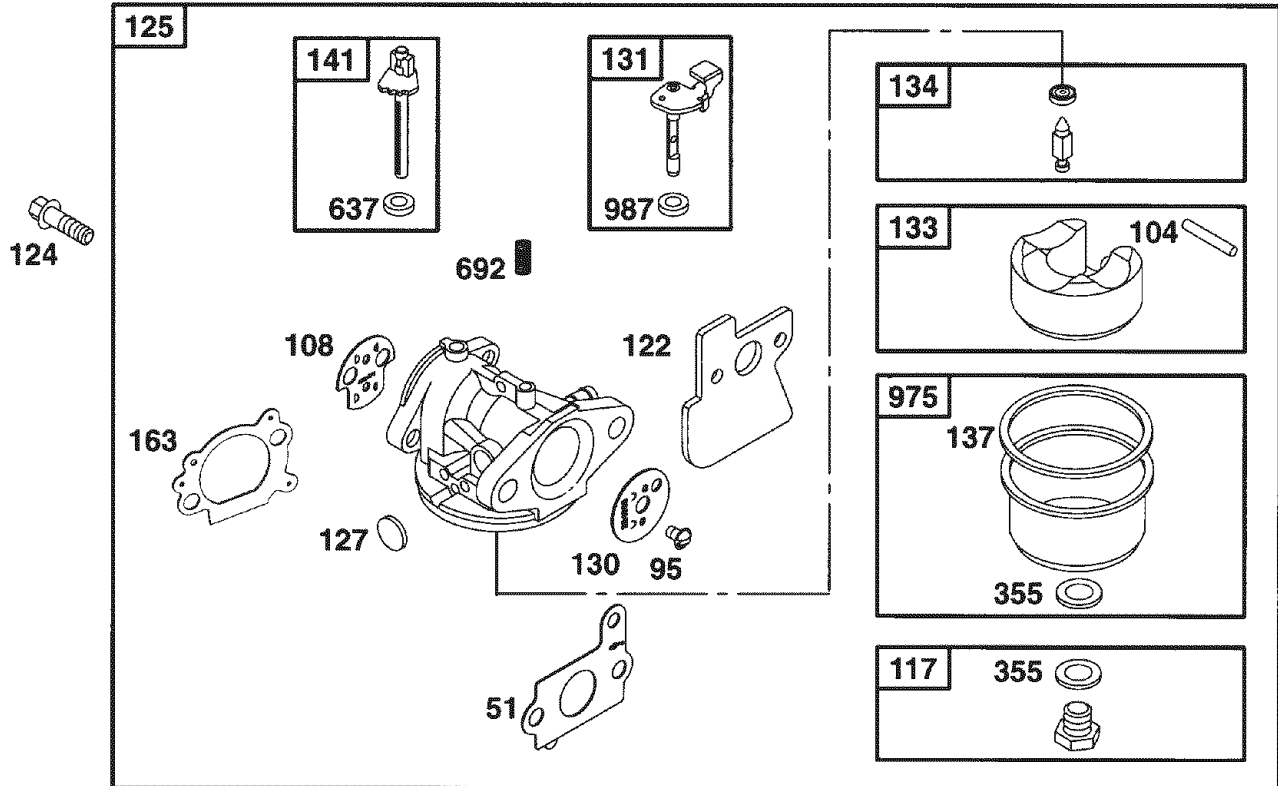
◆ Included in Carburetor Gasket Set-Part No. 692704.

Assemblies include all parts shown in frames.

ENGINE PARTS/MOTOR PARTES

CRAFTSMAN 2400 PSI HIGH PRESSURE WASHER 919.769010

BRIGGS ENGINE MODEL #120602-01350-E2



REF. NO.	PART NO.	DESCRIPTION	REF. NO.	PART NO.	DESCRIPTION	REF. NO.	PART NO.	DESCRIPTION
51	692668	Gasket-Intake	127		Plug-Welch (Sold in Kit Only)	141	693866	Shaft-Choke
95	94098	Screw-Round Head	130	224908	Valve-Throttle	163	692667	Gasket-Air Cleaner
104	231371	Pin-Float Hinge	131	499682	Shaft-Throttle	355	271716	Washer-Seal
108	223471	Valve-Choke	133	398187	Float-Carburetor	637	693867	Seal-Choke Shaft
117	497466	Jet-Main	134	398188	Valve-Needle (Includes Seat)	692	262715	Spring-Detent
122	692799	Spacer-Carburetor	137	280492	Gasket-Float Bowl	975	493640	Bowl-Float
124	95048	Screw-Hex.				987	280566	Seal-Throttle Shaft
125	693864	Carburetor						

★ Included in Gasket Set-Part No. 692702.

△ Included in Valve Overhaul Kit-Part No. 692705.

● Included in Carburetor Kit-Part No. 692703

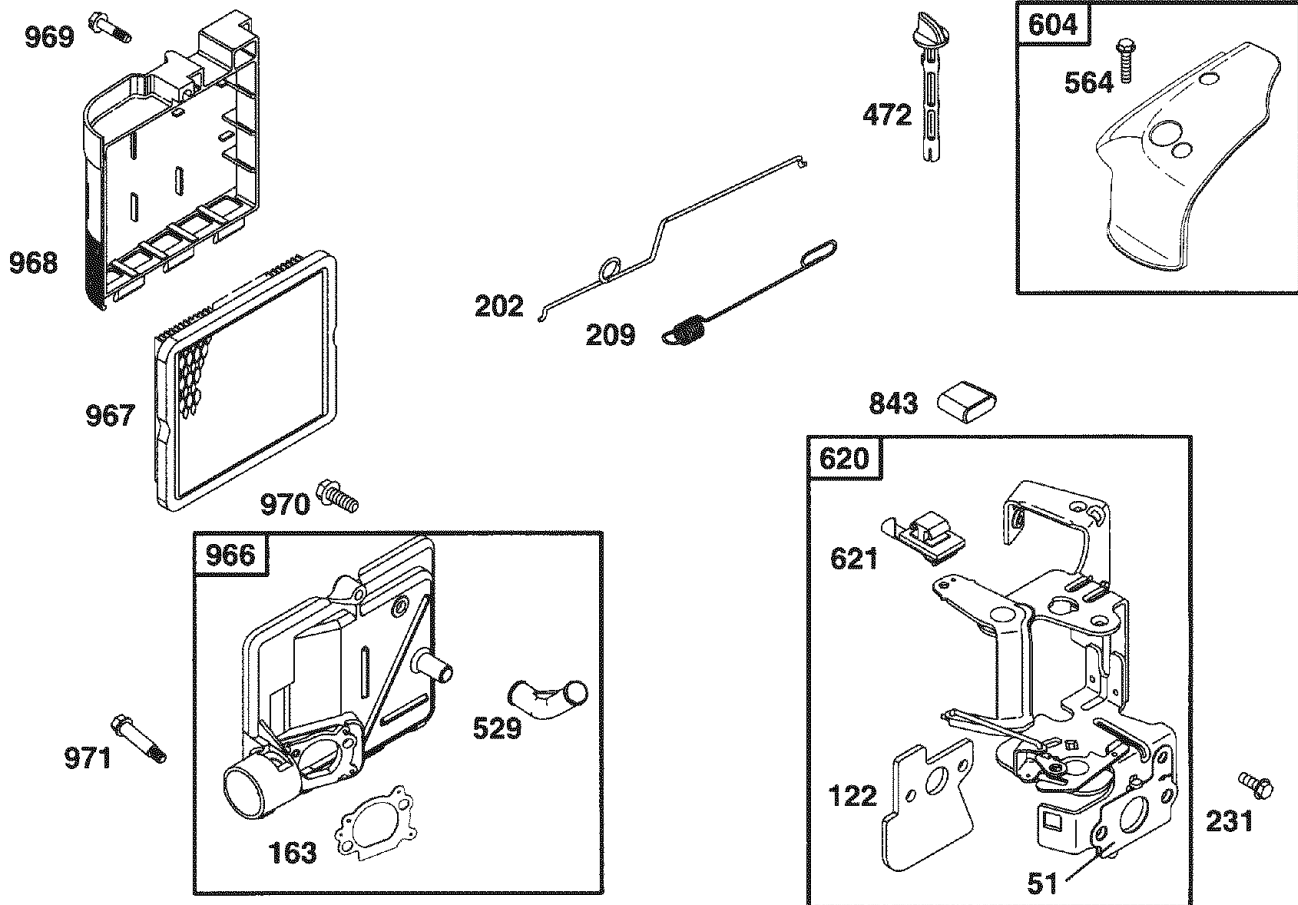
◆ Included in Carburetor Gasket Set-Part No. 692704.

Assemblies include all parts shown in frames.

ENGINE PARTS/MOTOR PARTES

CRAFTSMAN 2400 PSI HIGH PRESSUIRE WASHER 919.769010

BRIGGS ENGINE MODEL #120602-01350-E2



REF. NO.	PART NO.	DESCRIPTION	REF. NO.	PART NO.	DESCRIPTION	REF. NO.	PART NO.	DESCRIPTION
51	692668	Gasket-Intake	529	281299	Grommet	966	693863	Base-A/C Primer
122	692799	Spacer-Carburetor	564	693808	Screw-Hex.	967	491588	Filter-Air
163	692667	Gasket-Air Cleaner	604	693807	Cover-Control Kit	968	281340	Cover-Air Cleaner
202	263148	Link-Mechanical Gov.	620	693378	Bracket-Control	969	94872	Screw-Hex.
209	263038	Spring-Governor	621	396847	Switch-Stop Assy	970	94118	Screw-Hex.
231	691147	Screw-Hex.	843	272616	Sleeve-Lever	971	94873	Screw-Hex.
472	693809	Choke Shaft Knob						

★ Included in Gasket Set-Part No. 692702.

△ Included in Valve Overhaul Kit-Part No. 692705.

● Included in Carburetor Kit-Part No. 692703

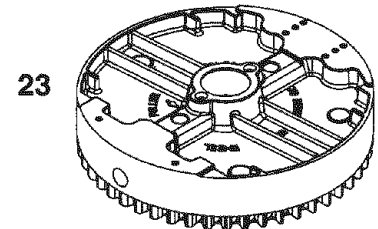
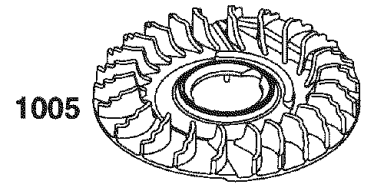
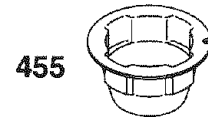
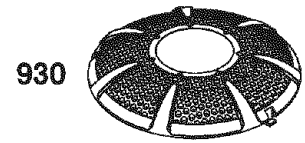
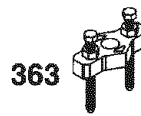
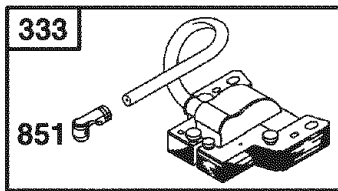
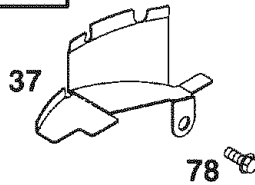
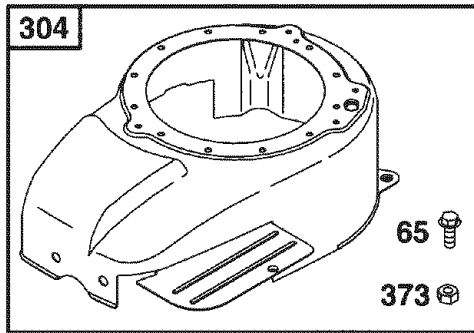
◆ Included in Carburetor Gasket Set-Part No. 692704.

Assemblies include all parts shown in frames.

ENGINE PARTS/MOTOR PARTES

CRAFTSMAN 2400 PSI HIGH PRESSUIRE WASHER 919.769010

BRIGGS ENGINE MODEL #120602-01350-E2



1036 LABEL KIT-EMISSION

REF. NO.	PART NO.	DESCRIPTION	REF. NO.	PART NO.	DESCRIPTION	REF. NO.	PART NO.	DESCRIPTION
23	692693	Flywheel	333	802574	Armature-Magneto	455	225121	Cup-Flywheel
37	224511	Guard-Flywheel	334	94731	Screw-Hex.	851	493880	Terminal-Cable
65	94904	Screw-Hex.	356	497833	Wire-Stop	930	692675	Guard-Rewind
78	94744	Screw-Hex.	363	19069	Flywheel Puller	1005	281657	Fan-Flywheel
304	499676	Housing-Blower	373	94908	Nut-Hex.	1036	499343	Label Kit-Emission
332	94877	Nut-Flywheel						

★ Included in Gasket Set-Part No. 692702.

△ Included in Valve Overhaul Kit-Part No. 692705.

● Included in Carburetor Kit-Part No. 692703

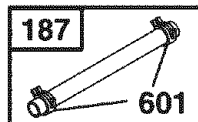
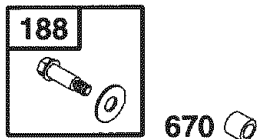
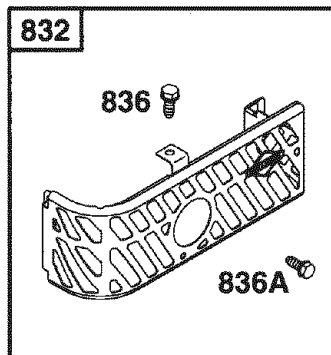
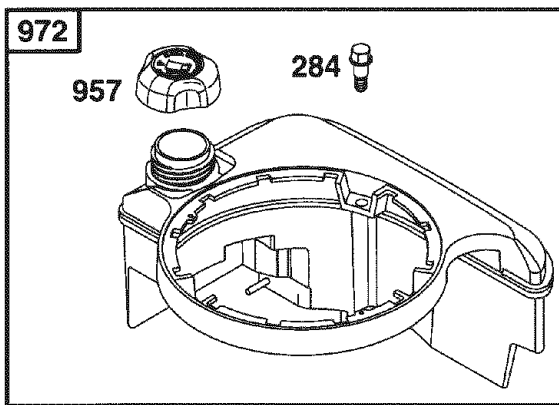
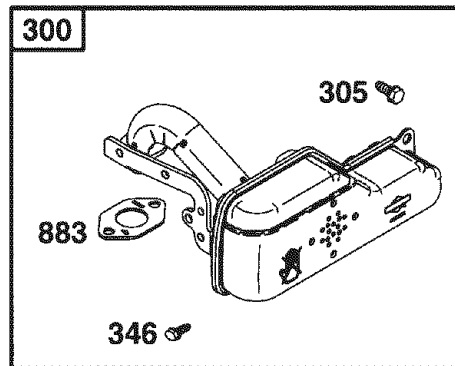
◆ Included in Carburetor Gasket Set-Part No. 692704.

Assemblies include all parts shown in frames.

ENGINE PARTS/MOTOR PARTES

CRAFTSMAN 2400 PSI HIGH PRESSURE WASHER 919.769010

BRIGGS ENGINE MODEL #120602-01350-E2



REF. NO.	PART NO.	DESCRIPTION	REF. NO.	PART NO.	DESCRIPTION	REF. NO.	PART NO.	DESCRIPTION
187	298049	Line-Fuel	346	691140	Screw-Hex.	836A	94874	Screw-Hex.
188	398540	Screw-Shoulder	601	93053	Clamp-Hose	883	★△273348	Gasket-Exhaust
284	94511	Screw-Shoulder	670	280512	Spacer-Fuel Tank	957	498697	Cap-Fuel Tank
300	692275	Muffler-Exhaust	832	498736	Guard-Muffler	972	499618	Tank-Fuel
305	94744	Screw-Hex.	836	94786	Screw-Hex.			

★ Included in Gasket Set-Part No. 692702.

△ Included in Valve Overhaul Kit-Part No. 692705.

● Included in Carburetor Kit-Part No. 692703

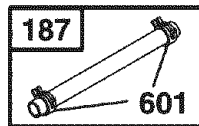
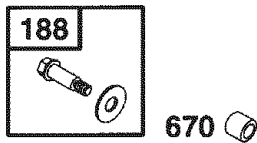
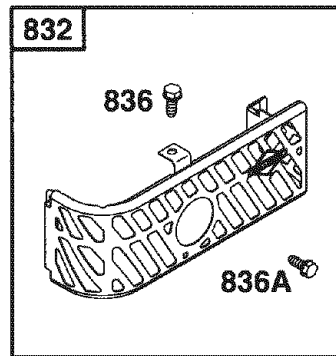
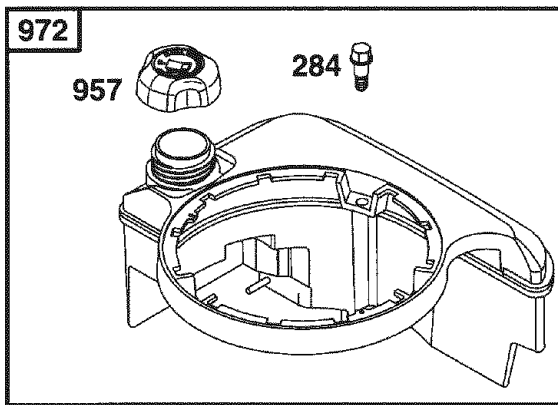
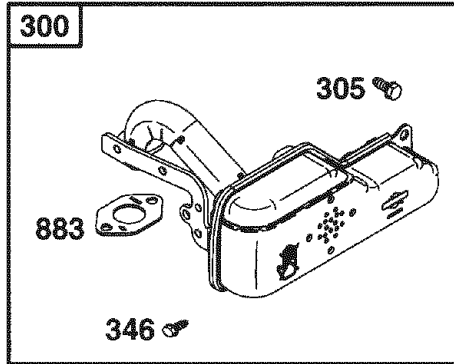
◆ Included in Carburetor Gasket Set-Part No. 692704.

Assemblies include all parts shown in frames.

ENGINE PARTS/MOTOR PARTES

CRAFTSMAN 2400 PSI HIGH PRESSUIRE WASHER 919.769010

BRIGGS ENGINE MODEL #120602-01350-E2



REF. NO.	PART NO.	DESCRIPTION	REF. NO.	PART NO.	DESCRIPTION	REF. NO.	PART NO.	DESCRIPTION
187	298049	Line-Fuel	346	691140	Screw-Hex.	836A	94874	Screw-Hex.
188	398540	Screw-Shoulder	601	93053	Clamp-Hose	883	★△273348	Gasket-Exhaust
284	94511	Screw-Shoulder	670	280512	Spacer-Fuel Tank	957	498697	Cap-Fuel Tank
300	692275	Muffler-Exhaust	832	498736	Guard-Muffler	972	499618	Tank-Fuel
305	94744	Screw-Hex.	836	94786	Screw-Hex.			

★ Included in Gasket Set-Part No. 692702.

△ Included in Valve Overhaul Kit-Part No. 692705.

◆ Included in Carburetor Kit-Part No. 692703

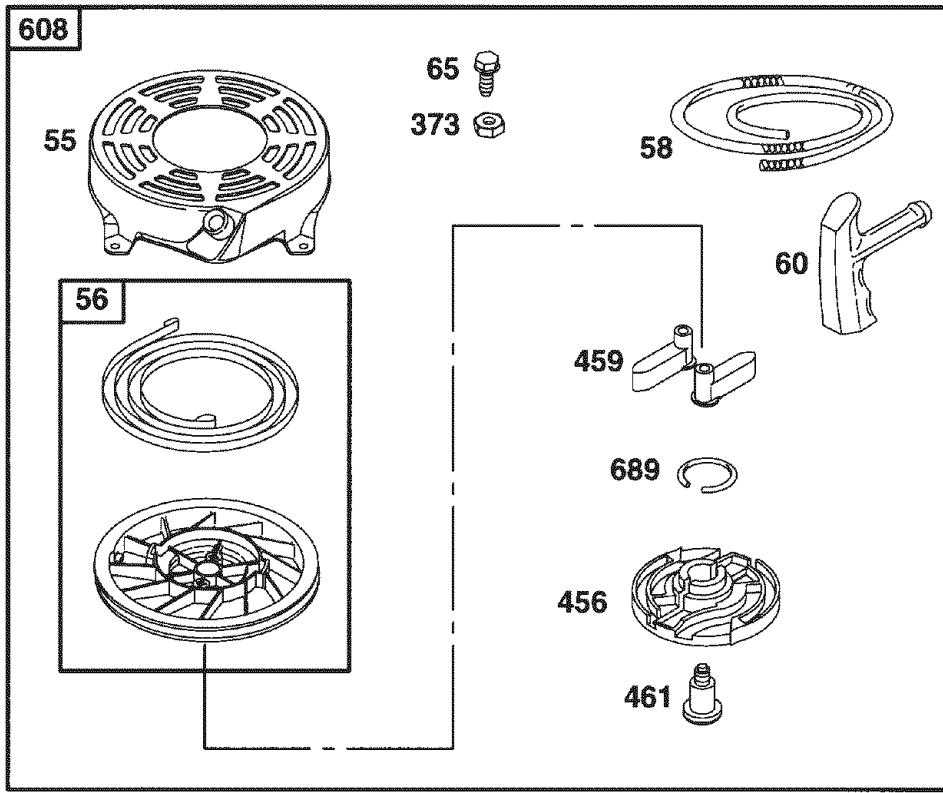
◆ Included in Carburetor Gasket Set-Part No. 692704.

Assemblies include all parts shown in frames.

ENGINE PARTS/MOTOR PARTES

CRAFTSMAN 2400 PSI HIGH PRESSUIRE WASHER 919.769010

BRIGGS ENGINE MODEL #120602-01350-E2



REF. NO.	PART NO.	DESCRIPTION	REF. NO.	PART NO.	DESCRIPTION	REF. NO.	PART NO.	DESCRIPTION
55	497440	Housing-Rewind Starter	60	281434	Grip-Starter Rope	461	94943	Screw-Shoulder
56	263074	Pulley-Starter	65	94904	Screw-Hex.	608	497680	Starter-Rewind
58	280399	Rope-Starter (Cut To Required Length)	373	94908	Nut-Hex.	689	263073	Spring-Friction
			456	281503	Retainer-Spring			
			459	281505	Plate-Paul Friction			

★ Included in Gasket Set-Part No. 692702.

△ Included in Valve Overhaul Kit-Part No. 692705.

● Included in Carburetor Kit-Part No. 692703

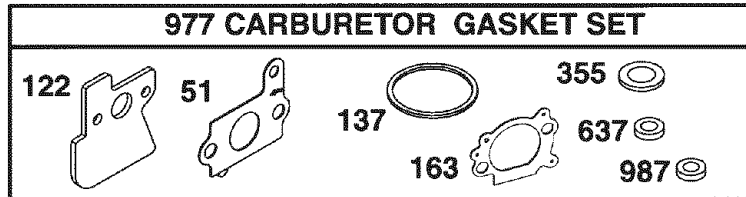
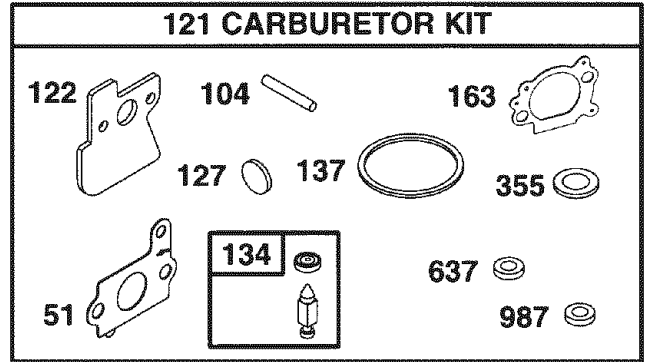
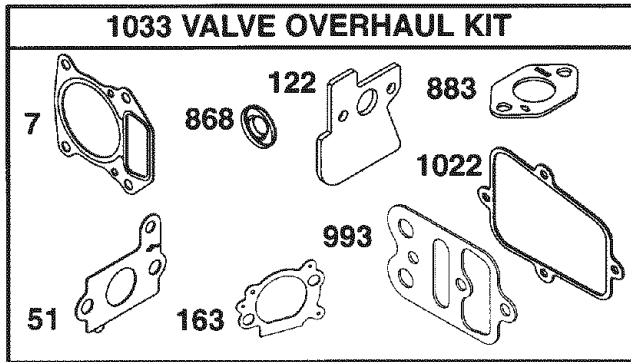
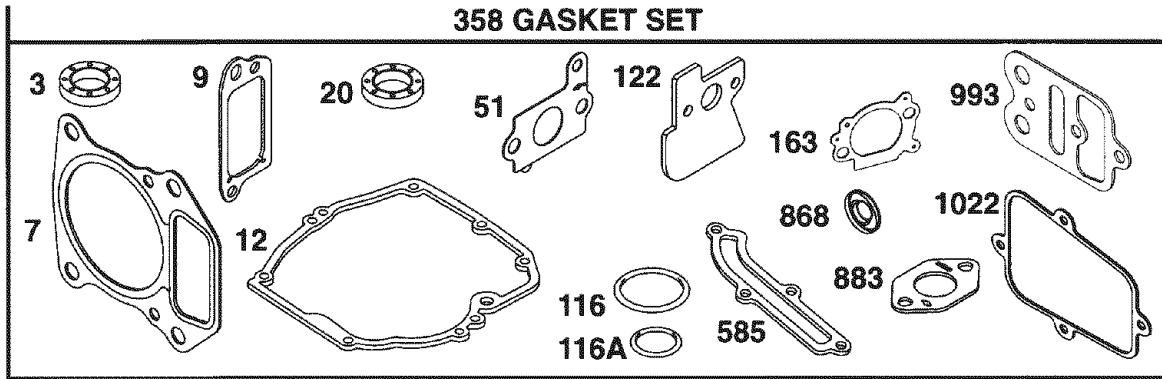
◆ Included in Carburetor Gasket Set-Part No. 692704.

Assemblies include all parts shown in frames.

ENGINE PARTS/MOTOR PARTES

CRAFTSMAN 2400 PSI HIGH PRESSURE WASHER 919.769010

BRIGGS ENGINE MODEL #120602-01350-E2



REF. NO.	PART NO.	DESCRIPTION	REF. NO.	PART NO.	DESCRIPTION	REF. NO.	PART NO.	DESCRIPTION
3	★299819	Seal—Oil	127	●	Plug—Welch (Sold in Kit Only)	637	●◆693867	Seal— Choke Shaft
7	★Δ273240	Gasket—Cylinder Head	134	●398188	Valve—Needle (Includes Seat)	868	★Δ498592	Seal—Valve
9	★272481	Gasket—Breather	137	●◆280492	Gasket—Float Bowl	883	★Δ273348	Gasket—Exhaust
12	★272198	Gasket—Crankcase	163	●◆◆692667	Gasket—Air Cleaner	977	692704	Gasket Set— Carburetor
20	★399781	Seal—Oil	355	●◆271716	Washer—Seal	987	●◆280566	Seal—Throttle Shaft
51	●◆◆692668	Gasket—Intake	358	692702	Gasket Set	993	★Δ273346	Gasket—Plate
104	●231371	Pin—Float Hinge	585	★272238	Gasket—Breather Passage	1022	★Δ273241	Gasket—Rocker Cover
116	★280393	Seal—O-Ring				1033	692705	Kit—Valve Overhaul
116A	★280966	Seal—O-Ring						
121	692703	Carburetor Kit						
122	●◆◆692799	Spacer—Carburetor						

★ Included in Gasket Set—Part No. 692702.

Δ Included in Valve Overhaul Kit—Part No. 692705.

● Included in Carburetor Kit—Part No. 692703

◆ Included in Carburetor Gasket Set—Part No. 692704.

Assemblies include all parts shown in frames.

**Briggs & Stratton Corporation (B&S), the California Air Resources Board (CARB)
and the United States Environmental Protection Agency (U.S. EPA)
Emission Control System Warranty Statement (Owner's Defect Warranty Rights and Obligations)**

EMISSION CONTROL WARRANTY COVERAGE IS APPLICABLE TO CERTIFIED ENGINES PURCHASED IN CALIFORNIA IN 1995 AND THEREAFTER, WHICH ARE USED IN CALIFORNIA, AND

TO CERTIFIED MODEL YEAR 1997 AND LATER ENGINES WHICH ARE PURCHASED AND USED ELSEWHERE IN THE UNITED STATES.

California and United States Emission Control Defects Warranty Statement

The California Air Resources Board (CARB), U.S. EPA and B&S are pleased to explain the Emission Control System Warranty on your model year 2000 and later small off-road engine (SORE). In California, new small off-road engines must be designed, built and equipped to meet the State's stringent anti-smog standards. Elsewhere in the United States, new non-road, spark-ignition engines certified for model year 1997 and later, must meet similar standards set forth by the U.S.EPA. B&S must warrant the emission

control system on your engine for the periods of time listed below, provided there has been no abuse, neglect or improper maintenance of your small off-road engine. Your emission control system includes parts such as the carburetor, air cleaner, ignition system, muffler and catalytic converter. Also included may be connectors and other emission related assemblies. Where a warrantable condition exists, B&S will repair your small off-road engine at no cost to you including diagnosis, parts and labor.

Briggs & Stratton Emission Control Defects Warranty Coverage

Small off-road engines are warranted relative to emission control parts defects for a period of two years, subject to provisions set

forth below. If any covered part on your engine is defective, the part will be repaired or replaced by B&S.

Owner's Warranty Responsibilities

As the small off-road engine owner, you are responsible for the performance of the required maintenance listed in your Operating and Maintenance Instructions. B&S recommends that you retain all your receipts covering maintenance on your small off-road engine, but B&S cannot deny warranty solely for the lack of receipts or for your failure to ensure the performance of all scheduled maintenance. As the small off-road engine owner, you should however be aware that B&S may deny you warranty coverage if your small off-road engine or a part has failed due to abuse, neglect, improper maintenance or unapproved modifications.

You are responsible for presenting your small off-road engine to an Authorized B&S Service Dealer as soon as a problem exists. The undisputed warranty repairs should be completed in a reasonable amount of time, not to exceed 30 days.

If you have any questions regarding your warranty rights and responsibilities, you should contact a B&S Service Representative at 1-414-259-5262.

The emission warranty is a defects warranty. Defects are judged on normal engine performance. The warranty is not related to an in-use emission test.

Briggs & Stratton Emission Control Defects Warranty Provisions

The following are specific provisions relative to your Emission Control Defects Warranty Coverage. It is in addition to the B&S engine warranty for non-regulated engines found in the Operating and Maintenance Instructions.

1. Warranted Parts

Coverage under this warranty extends only to the parts listed below (the emission control systems parts) to the extent these parts were present on the engine purchased.

a. Fuel Metering System

- Cold start enrichment system
- Carburetor and internal parts
- Fuel Pump

b. Air Induction System

- Air cleaner
- Intake manifold

c. Ignition System

- Spark plug(s)
- Magneto ignition system

d. Catalyst System

- Catalytic converter
- Exhaust manifold
- Air injection system or pulse valve

e. Miscellaneous Items Used in Above Systems

- Vacuum, temperature, position, time sensitive valves and switches
- Connectors and assemblies

2. Length of Coverage

B&S warrants to the initial owner and each subsequent purchaser that the Warranted Parts shall be free from defects in materials and workmanship which caused the failure of the Warranted Parts for a period of two years from the date the engine is delivered to a retail purchaser.

3. No Charge

Repair or replacement of any Warranted Part will be performed at no charge to the owner, including diagnostic labor which leads to the determination that a Warranted Part is defective, if the diagnostic work is performed at an Authorized B&S Service Dealer. For emissions warranty service contact your nearest Authorized B&S Service Dealer as listed in the "Yellow Pages" under "Engines, Gasoline," "Gasoline Engines," "Lawn Mowers," or similar category.

4. Claims and Coverage Exclusions

Warranty claims shall be filed in accordance with the provisions of the B&S Engine Warranty Policy. Warranty coverage shall be excluded for failures of Warranted Parts which are not original B&S parts or because of abuse, neglect or improper maintenance as set forth in the B&S Engine Warranty Policy. B&S is not liable to cover failures of Warranted Parts caused by the use of add-on, non-original, or modified parts.

5. Maintenance

Any Warranted Part which is not scheduled for replacement as required maintenance or which is scheduled only for regular inspection to the effect of "repair or replace as necessary" shall be warranted as to defects for the warranty period. Any Warranted Part which is scheduled for replacement as required maintenance shall be warranted as to defects only for the period of time up to the first scheduled replacement for that part. Any replacement part that is equivalent in performance and durability may be used in the performance of any maintenance or repairs. The owner is responsible for the performance of all required maintenance, as defined in the B&S Operating and Maintenance Instructions.

6. Consequential Coverage

Coverage hereunder shall extend to the failure of any engine components caused by the failure of any Warranted Part still under warranty.

About your engine warranty:

Briggs & Stratton welcomes warranty repair and apologizes to you for being inconvenienced. Any Authorized Service Dealer may perform warranty repairs. Most warranty repairs are handled routinely, but sometimes requests for warranty service may not be appropriate. For example, warranty would not apply if engine damage occurred because of misuse, lack of routine maintenance, shipping, handling, warehousing or improper installation. Similarly, warranty is void if the serial number of the engine has been removed or the engine has been altered or modified.

If a customer differs with the decision of the Service Dealer, an investigation will be made to determine whether the warranty applies. Ask the Service Dealer to submit all supporting facts to his Distributor or the Factory for review. If the Distributor or the Factory decides that the claim is justified, the customer will be fully reimbursed for those items that are defective. To avoid misunderstanding which might occur between the customer and the Dealer, listed below are some of the causes of engine failure that the warranty does not cover.

Normal wear:

Engines, like all mechanical devices, need periodic parts service and replacement to perform well. Warranty will not cover repair when normal use has exhausted the life of a part or an engine.

Improper maintenance:

The life of an engine depends upon the conditions under which it operates, and the care it receives. Some applications, such as tillers, pumps and rotary mowers, are very often used in dusty or dirty conditions, which can cause what appears to be premature wear. Such wear, when caused by dirt, dust, spark plug cleaning grit, or other abrasive material that has entered the engine because of improper maintenance, is not covered by warranty.

This warranty covers engine related defective material and/or workmanship only, and not replacement or refund of the equipment to which the engine may be mounted. Nor does the warranty extend to repairs required because of:

1. PROBLEMS CAUSED BY PARTS THAT ARE NOT ORIGINAL BRIGGS & STRATTON PARTS.
2. Equipment controls or installations that prevent starting, cause unsatisfactory engine performance, or shorten engine life. (Contact equipment manufacturer.)
3. Leaking carburetors, clogged fuel pipes, sticking valves, or other damage, caused by using contaminated or stale fuel. (Use clean, fresh, lead-free gasoline and Briggs & Stratton gasoline stabilizer, Part No. 5041.)

4. Parts which are scored or broken because an engine was operated with insufficient or contaminated lubricating oil, or an incorrect grade of lubricating oil (check oil level daily or after every 8 hours of operation. Refill when necessary and change at recommended intervals.) Read "Owner's Manuals".
5. Repair or adjustment of associated parts or assemblies such as clutches, transmissions, remote controls, etc., which are not manufactured by Briggs & Stratton.
6. Damage or wear to parts caused by dirt, which entered the engine because of improper air cleaner maintenance, re-assembly, or use of a non-original air cleaner element or cartridge. (At recommended intervals, clean and re-oil the Oil-Foam element or the foam pre-cleaner, and replace the cartridge.) Read Operating & Maintenance Instructions..
7. Parts damaged by overspeeding, or overheating caused by grass, debris, or dirt, which plugs or clogs the cooling fins, or flywheel area, or damage caused by operating the engine in a confined area without sufficient ventilation. (Clean fins on the cylinder, cylinder head and flywheel at recommended intervals.) Read Operating & Maintenance Instructions.
8. Engine or equipment parts broken by excessive vibration caused by a loose engine mounting, loose cutter blades, unbalanced blades or loose or unbalanced impellers, im-proper attachment of equipment to engine crankshaft, overspeeding or other abuse in operation.
9. A bent or broken crankshaft, caused by striking a solid object with the cutter blade of a rotary lawn mower, or excessive v-belt tightness.
10. Routine tune-up or adjustment of the engine.
11. Engine or engine component failure, i.e., combustion chamber, valves, valve seats, valve guides, or burned starter motor windings, caused by the use of alternate fuels such as, liquified petroleum, natural gas, altered gasolines, etc.

TABLA DE CONTENIDOS

Garantía.....	32	Almacenaje	44
Pautas de Seguridad.....	33-35	Guía para Diagnóstico de Problemas	45
Ensamblaje	35-37	Piezas	16-29
Operación	37-40	EPA CODES.....	30-31
Mantenimiento.....	41-43	Cómo Ordenar Repuestos	Contratapa
Servicio y Regulaciones	43-44		

GARANTÍA LIMITADA DE UN AÑO PARA LAVADORAS CRAFTSMAN DE ALTA PRESIÓN

Por un año a partir de la fecha de compra, y siempre que esta Lavadora Craftsman de Alta Presión se mantenga y opere de acuerdo a las instrucciones en el Manual del Operador, Sears reparará cualquier defecto de material o fabricación sin costo alguno.

Si esta lavadora se usa para propósitos comerciales, la garantía sólo será aplicable por 90 días a partir de la fecha de compra.

GARANTÍA LIMITADA DE DOS AÑOS DEL MOTOR CRAFTSMAN

Por dos años a partir de la fecha de compra, y siempre que este motor Craftsman se mantenga y opere de acuerdo a las instrucciones en el Manual del Operador, Sears reparará cualquier defecto de material o fabricación sin costo alguno.

Si el motor Craftsman se usa para propósitos comerciales o de alquiler, la garantía sólo será aplicable por 90 días a partir de la fecha de compra. Esta garantía no cubre piezas sujetas a desgaste tales como bujías y filtros de aire, los cuales se gastan con el uso normal.

La garantía no cubre las reparaciones que se hagan necesarias debido al mal uso o negligencia de parte del operador, incluyendo daños causados por no suministrarle agua a la bomba o no mantener el equipo de acuerdo a las instrucciones contenidas en este manual.

SE PUEDE OBTENER SERVICIO POR GARANTÍA SI SE LLEVA LA LAVADORA DE ALTA PRESIÓN AL CENTRO/DEPARTAMENTO DE SERVICIO DE GARANTÍA MÁS CERCANO EN CUALQUIER LUGAR DE ESTADOS UNIDOS. Esta garantía le otorga ciertos derechos legales específicos y usted también podría tener otros derechos que varían de un estado a otro.

Sears, Roebuck and Co., D/817 WA, Hoffman Estates, IL 60179

PAUTAS DE SEGURIDAD – DEFINICIONES

Este manual contiene información que es importante para que usted sepa y comprenda. Esta información se relaciona con la protección de SU SEGURIDAD y la PREVENCIÓN DE PROBLEMAS AL EQUIPO. Para ayudarle a identificar esta información, utilizamos los símbolos indicados mas abajo. Sírvase leer el manual y prestar atención a los mismos.

▲ PELIGRO Indica una situación de inminente riesgo, la cual, si no es evitada, causará la muerte o lesiones serias

▲ PRECAUCIÓN Indica una situación potencialmente peligrosa, la cual, si no es evitada, podría resultar en lesiones menores o moderadas.



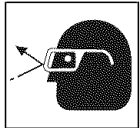
▲ ADVERTENCIA Indica una situación potencialmente riesgosa, que si no es evitada, podría resultar en la muerte o lesiones serias.






▲ PRECAUCIÓN Usado sin el símbolo de seguridad de alerta indica una situación potencialmente riesgosa la que, si no es evitada, podría causar daños en la propiedad.

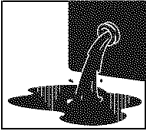
10/2/97

INSTRUCCIONES IMPORTANTES DE SEGURIDAD

▲ ADVERTENCIA LA OPERACIÓN O EL MANTENIMIENTO INADECUADOS DE ESTE PRODUCTO PODRÍAN OCASIONAR SERIAS LESIONES Y DAÑOS A LA PROPIEDAD. LEA Y COMPRENDA TODAS LAS ADVERTENCIAS E INSTRUCCIONES OPERATIVAS ANTES DEL USO.

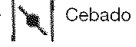
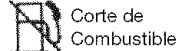
RIESGO	¿QUÉ PUEDE OCURRIR?	¿CÓMO PREVENIRLO?
<p>▲ PELIGRO RIESGO DE EXPLOSIÓN O INCENDIO</p> 	<ul style="list-style-type: none"> La gasolina derramada y sus emanaciones pueden incendiarse con las chispas de un cigarrillo, arcos eléctricos, el escape de la combustión y componentes calientes del motor tales como el silenciador. El calor hará expandir el combustible dentro del tanque, lo cual resultará en derramamiento y posible explosión e incendio. Operar la lavadora a presión dentro de un ambiente explosivo puede ocasionar un incendio. Los materiales colocados contra o cerca de la lavadora a presión, pueden interferir con sus características propias de ventilación, causando el recalentamiento y posible ignición de los materiales. El calor del escape del silenciador puede dañar superficies pintadas. Derretir cualquier material sensible a la temperatura (tal como revestimientos exteriores, plásticos, gomas, o vinilos), y dañar plantas vivas. El combustible almacenado en forma inadecuada puede ocasionar una ignición accidental. Asimismo, el combustible protegido inadecuadamente puede caer en manos de niños u otras personas no calificadas para su manipulación. El uso de ácidos, productos químicos tóxicos o corrosivos, venenos, insecticidas o cualquier clase de solventes inflamables con este producto, puede ocasionar una seria lesión o la muerte. 	<ul style="list-style-type: none"> Detenga el motor y permítale enfriarse antes de agregar combustible al tanque. Ponga sumo cuidado al llenar el tanque, evitando el derramamiento del combustible. Corra la lavadora a presión fuera del área de cargado de gasolina, antes de poner el motor en marcha. Mantenga el nivel máximo de combustible por debajo de la boca del tanque, para permitir la expansión. Opere el equipo y agregue combustible en áreas bien ventiladas y libre de obstrucciones. Equipe las zonas con extinguidores apropiados para incendio de gasolina. Jamás opere la lavadora a presión en un sector que contenga hojas o pasto secos. Mantenga siempre la lavadora a presión a un mínimo de 1,22m (cuatro pies) de distancia de superficies (tales como casas, automóviles, o plantas vivas) que puedan ser dañadas por el calor del escape del silenciador. Almacene el combustible en un contenedor aprobado OSHA, en una ubicación segura alejada del sitio de trabajo. No rocíe solventes inflamables con este producto.
<p>▲ PELIGRO RIESGO DE INHALACIÓN</p> 	<ul style="list-style-type: none"> La inhalación de las emanaciones del escape causará serias lesiones o la muerte. Algunos fluidos para limpieza contienen sustancias que pueden lesionar la piel, los ojos o los pulmones. 	<ul style="list-style-type: none"> Opere la lavadora a presión en un sector bien ventilado. Evite las áreas cerradas tales como garajes, sótanos, etc. Jamás opere la unidad en lugares ocupados por seres humanos o animales. Use solamente fluidos para limpieza específicamente recomendados para lavadoras a alta presión. Siga las recomendaciones del fabricante. No usar blanqueador de cloro ni compuesto corrosivo alguno.
<p>▲ ADVERTENCIA RIESGO DE LESIONES POR EL CHORRO</p> 	<ul style="list-style-type: none"> El chorro de los líquidos a alta velocidad puede causar la rotura de algunos objetos proyectando sus partículas a altas velocidades. Los objetos livianos o que no estén sujetos se pueden convertir en proyectiles peligrosos. 	<ul style="list-style-type: none"> Siempre usar anteojos de seguridad que cumplan con la norma Z87.1 de ANSI. Siempre usar ropa especial para protegerse del chorro. Nunca apuntar el tubo aplicador ni dirigir el chorro a personas ni animales. Para evitar que se accione accidentalmente siempre enganchar el seguro del gatillo cuando la pistola aplicadora no esté en uso. Nunca fijar el gatillo permanentemente en la posición de abierto.

RIESGO	¿QUÉ PUEDE OCURRIR?	¿CÓMO PREVENIRLO?
<p>⚠ ADVERTENCIA RIESGO DE OPERACIÓN INSEGURA</p> 	<ul style="list-style-type: none"> • La operación insegura de su lavadora a presión puede ocasionar lesiones serias o la muerte a usted u otras personas. • Si no se siguen los procedimientos para el arranque, el motor puede efectuar un retroceso de marcha pudiendo causar serias lesiones en la mano y el brazo. • La barra rociadora es una poderosa herramienta de limpieza que un niño puede imaginar como un juguete. • La fuerza reactiva del rociado determinará que la barra rociadora se mueva y podría ser la causa de que el operador se resbale, caiga, u oriente el rociador hacia una dirección errónea. El control inadecuado del rociador puede ocasionar lesiones a uno mismo u otras personas. 	<ul style="list-style-type: none"> • Familiarícese con la operación y controles de la lavadora a presión. • Mantenga la zona de operaciones libre de personas, animales domésticos y obstáculos. • No opere el producto si está fatigado o bajo la influencia del alcohol o drogas. Manténgase alerta en todo momento. • Jamás desactive los mecanismos de seguridad de este producto. • No opere la máquina con partes faltantes, rotas o desautorizadas. • Jamás deje la varilla rociadora desatendida mientras la unidad esté funcionando. • Si el motor no arrancara después de dos intentos, presione el gatillo de la pistola con el fin de aliviar la presión de la bomba. Vuelva a tirar del cordón lentamente hasta percibir resistencia. Luego tire rápidamente del mismo para evitar el retroceso y prevenir la lesión en su mano o brazo. <p>En todo momento, mantenga alejados a los niños de la lavadora a presión.</p> <ul style="list-style-type: none"> • Párese sobre una superficie estable y sostenga firmemente el mango de la pistola/lanza rociadora con ambas manos. Prevea el retroceso de la pistola cuando esta sea gatillada.
<p>⚠ ADVERTENCIA RIESGO DE DESCARGA ELÉCTRICA</p> 	<ul style="list-style-type: none"> • El rociado directo sobre terminales eléctricas o interruptores, u objetos conectados a un circuito eléctrico puede determinar una descarga eléctrica fatal. 	<ul style="list-style-type: none"> • Desenchufe cualquier producto eléctrico en operaciones antes de intentar limpiarlo. Dirija el rociado alejado de salidas eléctricas e interruptores.
<p>⚠ ADVERTENCIA RIESGO DE INYECCIÓN DE FLUIDO</p> 	<ul style="list-style-type: none"> • Su lavadora opera a presiones de fluido y velocidades elevadas, capaces de penetrar el tejido humano y animal; ello podría determinar una amputación u otras lesiones serias. Las pérdidas causadas por conexiones flojas o gastadas, o mangueras dañadas pueden determinar lesiones por inyección. NO TRATE A LA INYECCIÓN DE FLUIDO COMO A UN SIMPLE CORTE. Vea a un médico inmediatamente. • Libere la presión del sistema antes de intentar efectuar mantenimiento o desarmar el equipo. 	<ul style="list-style-type: none"> • Jamás coloque su mano delante de la boquilla. • Dirija el rociado fuera de si mismo u otras personas. • Asegúrese que las mangueras y acoples estén ajustados y en buenas condiciones. Jamás agarre del pico o los acoples durante la operación. • No permita que la manguera tome contacto con el silenciador. • Jamás conecte o desconecte la varilla rociadora o los acoplamientos mientras el sistema esté presurizado. • Use solamente picos y accesorios para alta presión clasificados para una presión más elevada que los PSI de su lavadora. • Para liberar la presión del sistema, detenga el motor, cierre el suministro de agua, y mantenga apretado el gatillo hasta que el agua deje de fluir.
<p>⚠ ADVERTENCIA RIESGO DE QUEMADURA QUÍMICA</p> 	<ul style="list-style-type: none"> • El uso de ácidos, productos químicos tóxicos o corrosivos, venenos, insecticidas o cualquier clase de solventes inflamables con este producto, puede ocasionar una seria lesión o la muerte. 	<ul style="list-style-type: none"> • No utilice en este producto ácidos, gasolina, kerosén, o cualquier otro material inflamable. Utilice únicamente detergentes caseros, limpiadores y desengrasantes recomendados para el uso en lavadoras a presión. <p>Use atuendo de protección adecuado para la preservación de sus ojos y piel, del contacto con los materiales rociados.</p> <ul style="list-style-type: none"> • No usar blanqueador de cloro ni compuesto corrosivo alguno.
<p>⚠ ADVERTENCIA RIESGO DE SUPERFICIES CALIENTES</p> 	<ul style="list-style-type: none"> • El contacto con superficies calientes, tales como los componentes del escape de motores, puede ocasionar serias quemaduras. 	<ul style="list-style-type: none"> • Durante la operación, toque solamente las superficies de control de la lavadora a presión. Mantenga a los niños alejados en todo momento de la lavadora a presión. Ellos podrían no darse cuenta de los riesgos de este producto.

RIESGO	¿QUÉ PUEDE OCURRIR?	¿CÓMO PREVENIRLO?
<p>▲ PELIGRO RIESGO DE LESIONES Y DAÑOS A LA PROPIEDAD AL TRANSPORTAR O ALMACENAR.</p> 	<ul style="list-style-type: none"> El derramamiento de combustible o aceite puede originar un incendio o el riesgo de su inhalación, ello puede determinar una lesión seria o la muerte. Las pérdidas de combustible o aceite pueden dañar alfombras, pintura u otras superficies en vehículos o remolques. 	<ul style="list-style-type: none"> Si la lavadora a presión está equipada con una válvula de corte de combustible, gire la misma hasta su posición de corte antes del transporte, a fin de evitar pérdidas de combustible. Si la lavadora a presión no estuviera equipada con una válvula de corte de combustible, drene el combustible del tanque antes de transportarlo. Transporte el combustible únicamente en contenedores OSHA aprobados. Cuando deba transportarla, coloque siempre la lavadora a presión sobre una alfombra a fin de proteger al vehículo de daños por derrames. Retire la lavadora a presión del vehículo inmediatamente después de su arribo a destino.



Alerta de Seguridad -
 Leer el Manual de
 Propietario



▲ PRECAUCIÓN

El chorro poderoso de su lavadora a presión es capaz de causar daño a superficies tales como la madera, vidrio, pintura del automóvil, guardas rayadas, adornos y objetos delicados tales como flores y arbustos. Antes de rociar, verifique el ítem que debe ser lavado para asegurarse que el mismo es suficientemente fuerte como para resistir el daño de la fuerza del rociado. Evite el uso del chorro concentrado excepto para superficies muy fuertes, tales como concreto y acero.

Operar el equipo sin el flujo del agua lo dañará. La operación de la lavadora a presión con su suministro de agua cerrado anulará su garantía. No deberá operarse la lavadora a presión por mas de 2 minutos sin presionar el gatillo que permite entrar el agua fresca a la bomba y salir el agua caliente (reciclada).

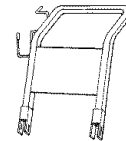
ENSAMBLAJE

Contenidos de la Caja

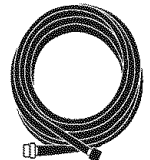
- Unidad principal de la lavadora a presión con ruedas
- Asa
- Manguera para alta presión
- Manguera absorbente de soluciones químicas y filtro
- Pistola
- Tubo aplicador



Unidad principal de la lavadora a presión con ruedas



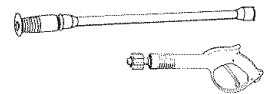
Asa



Manguera para alta presión



Manguera absorbente de soluciones químicas y filtro



Pistola y Tubo aplicador

Bolsa conteniendo

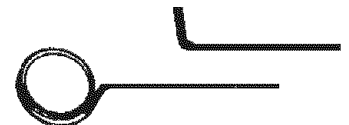
- Casete de vídeo
- Manual del Propietario
- Juego de limpiador de boquillas y anillos "O" de repuesto
- Aceite para motor
- Tope amortiguador de caucho para pata y elemento de fijación
- Elementos de sujeción para el asa



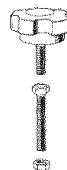
Casete de vídeo



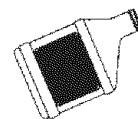
Manual del Propietario



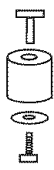
Juego de limpiador de boquillas



Elementos de sujeción para el asa



Aceite para motor



Tope amortiguador de caucho para pata y elemento de fijación



Anillos "O" de repuesto

Herramientas Requeridas para el Ensamblaje

Llave regulable para tuercas

Llave Allen

Sacar la Lavadora a Presión de la Caja

- Abrir la caja por la parte de arriba. Dentro de la caja ubicar y sacar la pistola y el tubo aplicador, la cinta de vídeo y la botella de aceite.
- Cortar la caja a lo largo de la línea punteada.
- Sacar el empaque de la caja.
- Hacer rodar la unidad por la apertura de la caja.

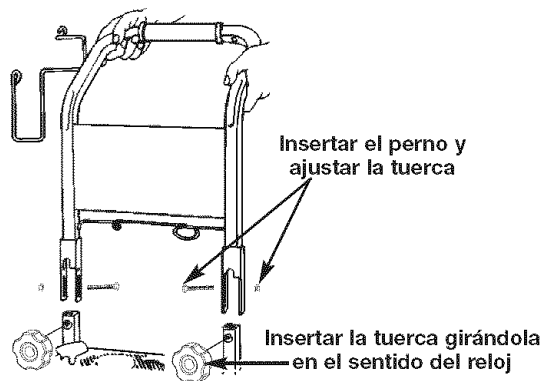
NOTA: La manguera se encuentra en el fondo de la caja.

Preparación de la Lavadora a Presión para el Primer Uso

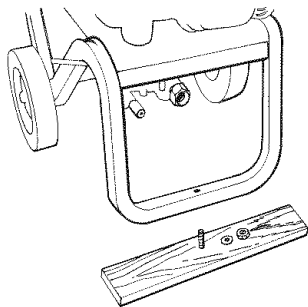
Nota: En la caja de la lavadora se incluye una cinta de vídeo que muestra como preparar la unidad para su operación. Se recomienda ver esta cinta de vídeo antes de continuar con los siguientes pasos.

1. Inserción del mango en el bastidor

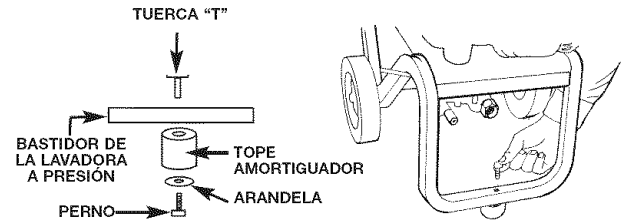
- Insertar las perillas en la ranura roscada en el frente del bastidor del mango y ajustarlas girándolas en el sentido del reloj.
- Deslizar los pernos en la ranura en el costado del bastidor del mango y ajustar la tuerca girándolas en el sentido del reloj.



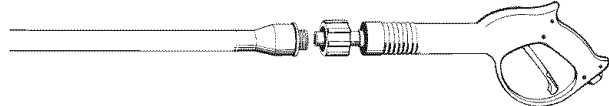
2. Utilizando una llave regulable, extraiga la tuerca del perno que une la tabla con el bastidor. Extraiga la placa de madera del bastidor de la unidad. Deseche el perno y la tabla.



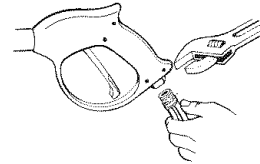
3. Instalar el tope amortiguador de caucho en el bastidor colocando el extremo roscado del perno dentro de la arandela. Luego, con la arandela en el perno, pasar el extremo roscado del perno por el tope amortiguador. Colocar la parte roscada del tope amortiguador en el mismo orificio donde estuvo montada la tabla de madera en la lavadora a presión. A continuación colocar la tuerca en forma de T sobre la parte roscada del perno y, usando la llave Allen provista, sujetar el tope amortiguador al bastidor.



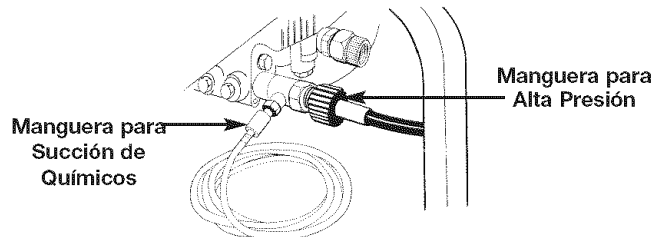
4. Conectar el tubo aplicador a la pistola. Para ajustar, girar la perilla en el sentido del reloj. Ajustar a mano.



5. Extraiga el sujetador de la manguera de alta presión. Desenrolle la manguera de alta presión y conéctela al extremo roscado de la pistola. Ajustela con una llave regulable.

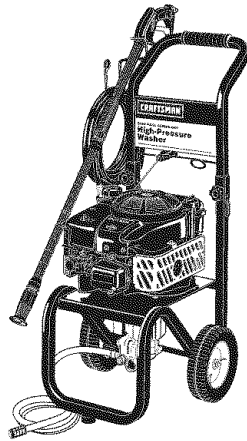


6. Conectar la manguera para alta presión a la salida de la presión en la lavadora y ajustarla firmemente a mano. Conectar la manguera de succión de químicos al niple en el conector de la manguera de la bomba.



NOTA: Siempre mantener la manguera alejada del tubo de escape del motor.

7. Colocar la pistola ensamblada con el tubo aplicador en el soporte de la lavadora a presión.



8. Colocar la cuerda de arranque en el soporte tipo argolla. Pasar la cuerda por debajo del soporte a la derecha de la argolla. Elevar el mango de la cuerda de arranque y deslizar la cuerda hacia la izquierda para que entre en la argolla. Luego deslizar el mango por atrás del soporte hacia el lado izquierdo de la argolla. El retroceso del motor halará el mango y lo pondrá en su posición final.

Lista de Comprobación

Antes de continuar, por favor comprobar lo siguiente:

- Haber seguido las instrucciones de ensamblaje completamente.
- Haber revisado dos veces que todos los acoples estén firmemente ajustados.

IMPORTANTE: Antes de cualquier intento de arrancar la lavadora a presión, cerciorarse de inspeccionar el aceite del motor (referirse a la sección Aceite del Motor en el capítulo Operación.)

OPERACION

Familiarizarse con la Lavadora a Presión

Familiarizarse con la Lavadora a Presión Leer el Manual del Propietario y las Pautas de Seguridad antes de operar la Lavadora de Alta Presión. Comparar esta ilustración con nuestra lavadora de presión para familiarizarse con los diversos controles y dispositivos de regulación. Conservar este manual para referencia futura.

BOMBA: Desarrolla alta presión.

REGULADOR DE PRESIÓN: Permite regular la presión del chorro de salida.

INTERRUPTOR PARA ARRANCAR Y APAGAR:

Coloca la unidad en la modalidad para arrancar con la cuerda de arranque y para Apagar el motor cuando está funcionando.

CUERDA DEL ARRANCADOR: Se usa para arrancar el motor manualmente.

PISTOLA APLICADORA: Tiene un gatillo que permite controlar el agua que se aplica a la superficie que se desea lavar.

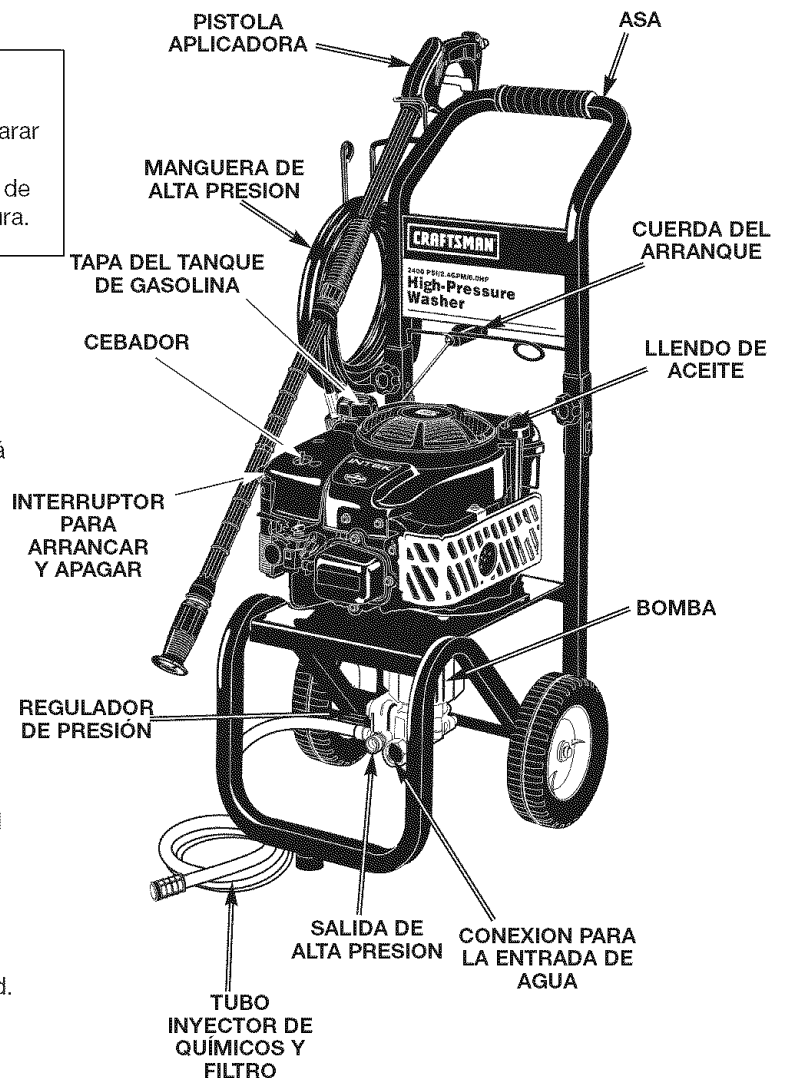
LLENADO DE ACITE: Toma por donde se le rellena aceite al motor.

TAPA DEL TANQUE DE GASOLINA: La tapa se saca para rellenar con gasolina sin plomo.

TUBO INYECTOR DE QUÍMICOS Y FILTRO: Mezcla el agua y el detergente en el punto de alimentación del agua.

SALIDA DE ALTA PRESIÓN: Conexión para la manguera de alta presión.

CEBADOR: Palanca de cebado para arrancar la unidad.



⚠ ADVERTENCIA Leer el Manual del propietario. No intentar operar este equipo hasta haber leído las instrucciones de Seguridad, Operación y Mantenimiento.

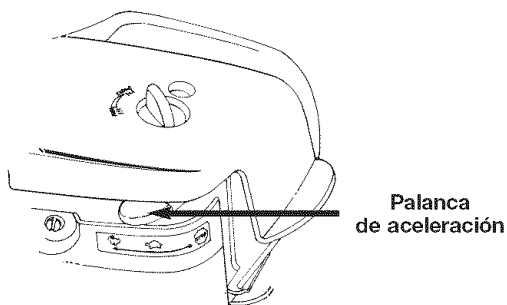
NOTA: En la caja de la lavadora se incluye una cinta de vídeo que muestra como operar la lavadora de presión. Si se dispone de una grabadora de vídeo se recomienda ver esta cinta antes de operar la unidad.

⚠ ADVERTENCIA Nunca regular la forma del abanico del chorro mientras se esté rociando. Nunca colocar las manos delante de la boquilla del chorro para modificar la forma del chorro porque puede lesionarse.

Apagado de la Lavadora a Presión

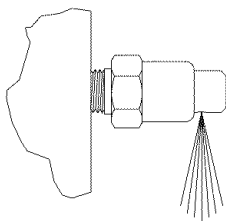
⚠ PRECAUCIÓN No operar la bomba a menos que la manguera de abastecimiento de agua esté conectada a una llave de agua que esté abierta, de lo contrario se dañará la bomba.

- Para apagar la lavadora a presión, mover la palanca de aceleración a la posición de OFF/APAGAR.



- La presión de agua del sistema no se aliviará con sólo apagar el motor. Después que el motor se haya detenido, presionar el gatillo de la pistola por unos 3 segundos para descargar la presión. La longitud del chorro disminuirá.

IMPORTANTE: Esta unidad está equipada con una válvula térmica de alivio. Si se deja funcionar la unidad por varios minutos sin presionar el gatillo de la pistola puede ser que varias gotas de agua salgan por esta válvula para enfriar la unidad. El agua fluirá del fondo de la bomba.



Antes de Arrancar el Motor

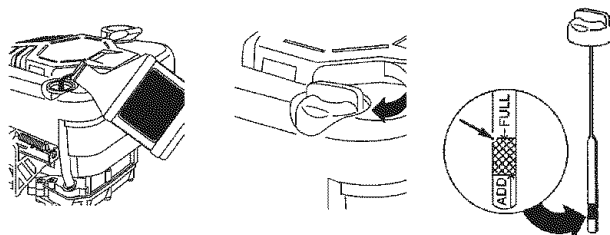
Hacer lo siguiente para hacer que el motor funcione:

NOTA: La bomba de la lavadora a presión es una bomba sellada y nunca debería necesitar relleno ni cambio el aceite.

⚠ PRECAUCIÓN Siempre verificar el nivel de aceite del motor antes de cada arranque. Hacer que el motor funcione sin aceite o con el nivel bajo puede casar daños serios al motor.

Aceite del Motor

La unidad ha sido despachada sin aceite en el motor, pero se incluye una botella de aceite SAE 30 en la caja de embalaje. Sacar la tapa de aceite con varilla medidora ubicada sobre el motor. La capacidad de aceite es aproximadamente 591 ml (20 Onz.). La varilla medidora está claramente marcada con líneas indicadoras que permiten saber cuando hay suficiente aceite. Para revisar el aceite, introducir la varilla medidora dentro de la toma de aceite. Ajustar la medidora y volverla a sacar. No sobrepasar la línea de llenado. Rellenar el aceite lentamente.



NOTA: Al rellenar aceite al cárter del motor, usar aceite de alta calidad y grado SAE 30 conteniendo detergente clasificado para servicio SF, SG o SH. No usar aditivos especiales. Seleccionar el grado de viscosidad de acuerdo a las temperatura de operación que se esperen tener.

Más frío ← 4°C/40°F → más caliente
Sintético 5W-30 I SAE 30

A pesar que los aceites de viscosidad múltiple (5W30, 10W30, etc.) mejoran el arranque en climas fríos, estos pueden aumentar el consumo de aceite cuando se usen por encima de 4°C/40°F. Revisar el nivel del aceite con más frecuencia para evitar posibles daños al motor por operar con poco aceite. La capacidad de aceite del cárter es de 591ml (20 Onz.).

Gasolina

El motor de la lavadora de presión es de 4 tiempos. Usar únicamente gasolina sin plomo.

⚠ PRECAUCIÓN No rellenar el tanque de gasolina demasiado. Siempre dejar espacio para la expansión del combustible.

⚠ ADVERTENCIA Nunca rellenar el tanque en interiores. Nunca rellenar el tanque de combustible cuando el motor esté funcionando ni cuando esté caliente. No fumar ni tener llamas cerca cuando se rellene combustible.

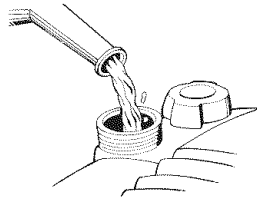
Usar gasolina regular sin plomo que esté fresca y limpia de mínimo 85 octanos. No mezclar el aceite con la gasolina. Si no se dispone de gasolina sin plomo, se puede usar gasolina con plomo.

IMPORTANTE: Durante el almacenaje, es importante evitar la formación de sedimentos pegajosos en el sistema de combustión tales como en el carburador, manguera del filtro de combustible o tanque. La experiencia también nos indica que las gasolinas mezcladas con alcohol (llamadas gasohol o que tienen etanol o metanol) pueden atraer humedad que luego se separará y formará ácidos durante el almacenaje de la unidad. La gasolina ácida puede dañar el motor mientras esté almacenado. Para evitarle problemas al motor, vaciar el sistema de combustión antes de almacenar la unidad por 30 días o más. Nunca echar productos limpiadores para el motor o el carburador en el tanque de combustible porque se pueden causar daños permanentes.

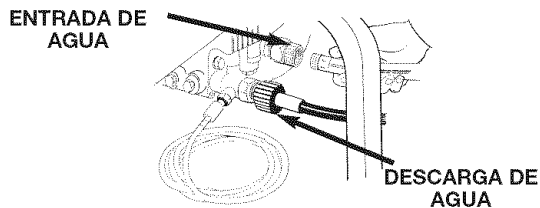
PRECAUCIÓN Nunca arrancar la lavadora a presión a menos que esté conectada a un suministro de agua y que la llave esté abierta.

Para Arrancar la Lavadora a Presión

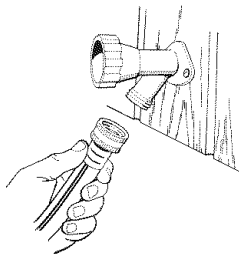
- Sacar la tapa del tanque de gasolina.
- Agregar lentamente gasolina sin plomo en el tanque.
- No sobrellenar.



- Conectar una manguera de jardín a la boquilla de la toma de agua en la lavadora a presión. Ajustarla girando la boquilla de la toma de agua contra el sentido del reloj.

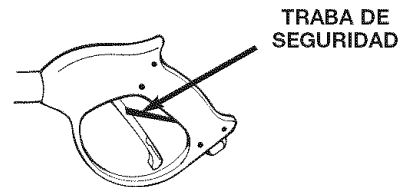


- Conectar la manguera de alta presión a la descarga de la bomba.
- Conectar la manguera de agua a la llave de suministro de agua y abrirla.

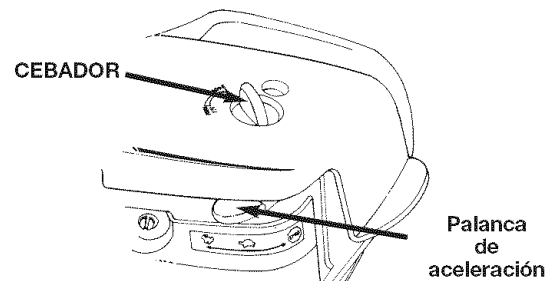


Presione el gatillo de la barra rociadora de la lavadora a presión para aliviar la presión del aire originada por activar el paso del agua. El agua saldrá expelida de la pistola en la forma de un chorro fino. Ello hará más sencillo el arranque del motor.

Enganche la traba de seguridad en la pistola rociadora. Ello trabará el gatillo en su sitio y lo mantendrá seguro de rociar accidentalmente con un chorro de alta presión.



- El motor tiene una palanca para CHOKE/RUN (Cebado/Operación). Colocar la palanca en la posición de "Choke" (Cebado).
- El motor tiene otra palanca para control de aceleración, colocarla en la posición de la liebre. Siempre echar el motor a funcionar con la palanca en la posición de la liebre (o de alta velocidad).



- Tomar la manija de la cuerda del arrancador y tirar de ella lentamente hasta sentir una resistencia, luego tirar de ella firmemente para que el motor arranque.

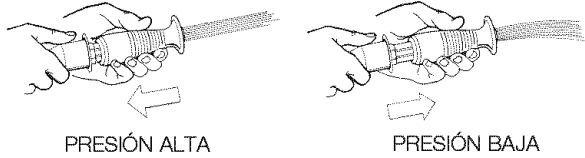
NOTA: Si el motor no arranca de inmediato, apretar el gatillo de la pistola para descargar la presión de aire acumulada al haber abierto la llave del suministro de agua. La pistola disparará un pequeño chorro de agua. Esto facilitará el arranque del motor al tirar de la cuerda. Si se necesita tirar de la cuerda del arrancador más de cinco veces, regresar la palanca de "CHOKE" (Cebado) a la posición RUN (Operación).

- Cuando el motor arranque, mover la palanca del "CHOKE" (Cebado) gradualmente a la posición de "RUN" (Operación).
- Para volver a arrancar el motor cuando esté caliente, cerciorarse que la palanca de aceleración esté en la posición de la liebre (alta velocidad) y que la palanca del "CHOKE" (Cebado) esté en la posición de "RUN" (Operación).
- Agarrar el mango de la cuerda del arrancador y tirar de ella lentamente hasta sentir una resistencia, luego tirar de ella firmemente.

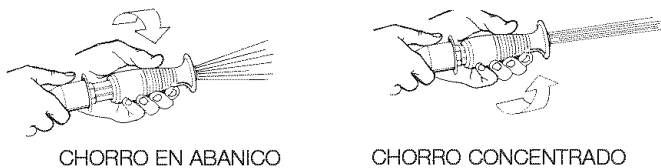
Como usar la Lavadora a Presión

En el extremo de la pistola aplicadora hay una boquilla que se puede deslizar hacia adelante y hacia atrás y que también se puede girar a ambos lados. Con la boquilla regulable se puede controlar la presión del chorro para alta o baja presión. También se puede regular la forma del chorro para concentrarlo o abrirlo en forma de abanico.

- Deslizar la boquilla hacia adelante para la presión baja y hacia atrás para la presión alta.



- Para regular la forma del chorro, girar la boquilla en el sentido del reloj para abrir el chorro en forma de abanico y contra el sentido del reloj para concentrar el chorro.

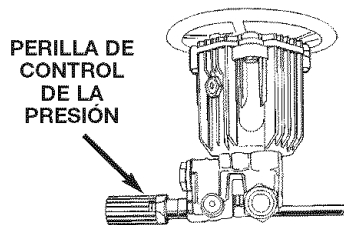


- Para un lavado más efectivo, mantener la boquilla de rociado a una distancia de entre 20cm (8") y 60cm (24") de la superficie que se está lavando.

IMPORTANTE: Si se afloja la boquilla concentrando el chorro demasiado, especialmente en alta presión, se puede dañar la superficie que se está lavando.

- La perilla de control de la presión está ubicada en la bomba. Se puede aumentar la presión girando la perilla en el sentido del reloj o disminuirla girando la perilla contra el sentido del reloj.

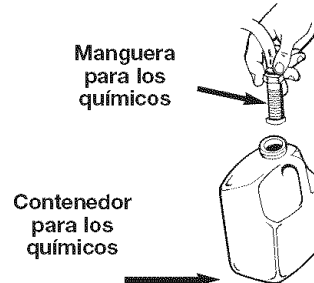
NOTA: La presión máxima de la unidad viene regulada de fábrica. No intentar modificar esta regulación hecha en fábrica.



Uso de Detergentes y Químicos

IMPORTANTE: Usar detergentes y productos químicos que estén diseñados específicamente para usar en lavadoras a presión. Para aplicar detergentes / productos químicos siga los pasos siguientes:

- Preparar el detergente o químico requerido para la tarea.
- Inserte el tubo del detergente / producto químico en el contenedor (detergente / productos químicos y contenedor no incluidos).



- Deslizar la boquilla regulable hacia adelante a la modalidad de baja presión. No se puede aplicar detergente/químicos con la boquilla en la posición para presión alta.
- Revisar la posición de la boquilla regulable.
- Conectar una manguera de jardín a la entrada de agua (ver la sección "Arranque de la Lavadora a Presión" en la página 9), verificar que la manguera para alta presión esté conectada a la pistola aplicadora y a la bomba (ver la sección "Ensamblaje") y arrancar el motor.
- Aplicar el detergente/químico a la superficie seca comenzando de abajo y trabajando hacia arriba.
- Permitir que el detergente/químico repose de 3 a 5 minutos en la superficie antes de lavar y enjuagar.
- Para lavar, comenzar por la parte inferior de la superficie y avanzar hacia arriba aplicando en tramos largos traslapados y uniformes.

NOTA: La lavadora a presión está equipada con una perilla para regular la inyección del químico. Con la perilla totalmente abierta se obtendrá un máximo de succión de químico. Con la perilla totalmente cerrada no habrá succión de químico. Girar la perilla contra el sentido del reloj para lograr una mayor succión del detergente/químico y en el sentido del reloj para una menor succión.



MANTENIMIENTO

RESPONSABILIDADES DEL PROPIETARIO

TAREA DE MANTENIMIENTO	Antes de Cada Uso	Cada 25 Horas o Cada Año	Cada 50 Horas o Cada Año	Cada 100 Horas o Cada Año
LAVADORA A PRESIÓN				
Inspeccionar/limpiar la malla de entrada.	X			
Inspeccionar la manguera para alta presión.	X			
Inspeccionar la manguera de succión de detergente/químico y filtro.	X			
Inspeccionar para detectar fugas por la pistola/tubo aplicador.	X			
Purgar el aire y los contaminantes de la bomba	X			
MOTOR				
Inspeccionar el nivel de aceite.	X			
Cambiar el aceite del motor.			X	
Limpiar el filtro de aire.		X		
Limpiar/reemplazar la bujía.				X
Limpie el escape del motor y la protección de dedos.				X
Prepare para el almacenaje	Prepare la unidad para su almacenaje si es que la misma permanecerá inactiva por más de 30 días.			

Especificaciones del Equipo

Especificaciones de la Lavadora a Presión

Presión	2400
Índice de Flujo	2.4 GPM
Unidades de Limpieza (PSI x GPM)	5760

Especificaciones del Motor

RPM	3600
Potencia	6.0 HP
Luz de la Bujía	0.76mm (0.030")
Capacidad de Gasolina	1.3 Lt. (1.5 Qts)
Aceite (Capacidad 591 ml / 20 Onz.)	SAE 30

Recomendaciones Generales

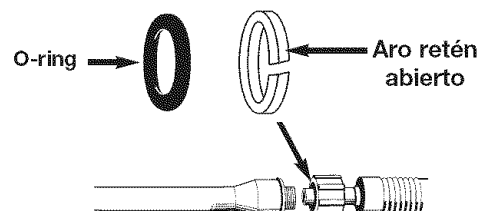
La garantía de la lavadora a alta presión no cubre las piezas que han sido sujetas a mal uso o negligencia por parte del operador. Para mantener la validez de la garantía, el operador deberá hacerle el mantenimiento a la lavadora de alta presión como se indica en este manual.

Algunas regulaciones periódicas serán necesarias para el mantenimiento de la lavadora a alta presión.

Una vez al año se deberán limpiar o reemplazar la bujía y el filtro de aire y se deberán inspeccionar la pistola y el tubo aplicador para detectar puntos de desgaste. Una bujía y un filtro de aire limpios asegurarán una buena mezcla de aire y combustible y ayudarán a que el motor opere mejor y dure más.

La bomba de la lavadora a presión es una bomba sellada y nunca debería necesitar relleno ni cambio del aceite.

NOTA: Con el transcurso del tiempo, los anillos "O" de la pistola rociadora se gastarán. Con la unidad se provee un juego de anillos "O" de repuesto que viene adherido al manual del operador.



Mantenimiento de la Lavadora a Presión

Inspeccionar y Cambiar la Malla de Entrada: Examinar la malla en el acople de entrada de la bomba. Limpiar si estuviese atorada, reemplazar si estuviese rota.

Inspeccionar la Manguera de Alta Presión: La manguera de alta presión puede desarrollar fugas debido al desgaste, estrangulamiento o maltrato. Inspeccionar la manguera antes de cada uso para detectar cortes, fugas, abrasiones, protuberancias en el forro, daños o juego de los acoples. Si existiese alguna de estas condiciones, reemplazar la manguera de inmediato.

Inspeccione las mangueras de suministro de productos químicos / detergentes: Examine la manguera de productos químicos / detergentes y límpiela si se encontrase obturada. La manguera deberá calzar ajustadamente sobre la conexión de la bomba. Inspeccione la existencia de pérdidas y rajaduras. Sustituya el filtro o la manguera si cualquiera de ellos estuviese dañado.

Inspeccionar la Pistola/Tubo Aplicador: Examinar las conexiones de la manguera a la pistola para cerciorarse que estén bien asegurados. Probar el gatillo presionándolo para asegurarse que regrese a su posición cuando se suelte.

Mantenimiento de la bomba (Cambio del aceite de la bomba)

La bomba de su lavadora a presión está sellada, jamás se debería tener que cambiar allí el aceite.

Purgar el Aire y los Contaminantes de la Bomba

Seguir estos pasos para eliminar el aire de la bomba:

- Preparar la lavadora de presión como se describe en la Sección de Ensamblaje y conectar el suministro de agua.
- Retirar la extensión del tubo aplicador de la pistola aplicadora.
- Tirar del gatillo en la pistola y mantenerlo presionado.

Seguir estos pasos para eliminar los contaminantes de la bomba:

- Preparar la lavadora de presión como se describe en la sección de ENSAMBLAJE, conectar el suministro de agua.
- Retirar la extensión del tubo aplicador de la pistola rociadora.
- Arrancar el motor de acuerdo a las instrucciones en la sección de OPERACIÓN.
- Presionar del gatillo en la pistola y mantenerlo presionado.
- Soltar el gatillo y volver a instalar la extensión del tubo aplicador cuando el suministro de agua esté constante y parejo.

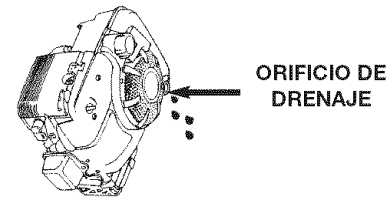
Mantenimiento del Motor Revisar el Nivel del Aceite

- El nivel del aceite deberá inspeccionarse antes de cada uso de la lavadora o por lo menos cada 5 horas de operación. Referirse a la sección "Aceite del Motor" en la página 8.

Mantenimiento del Motor

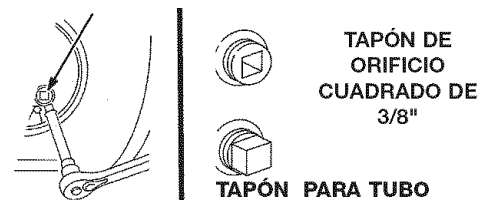
- Cambiar el aceite cuando el motor todavía esté caliente. De preferencia, drenar el aceite por la parte superior del motor como se muestra más adelante. Drenar el aceite con el filtro de aire hacia arriba. El aceite puede drenarse por el lado inferior si fuese necesario.

IMPORTANTE: Antes de inclinar el motor o el equipo para drenar el aceite, drenar el combustible del tanque operando el motor hasta que el tanque de combustible quede vacío.

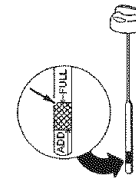


- Para drenar el aceite por la parte inferior del motor, retirar el tapón de drenaje como se ilustra a continuación. Dejar que el aceite se drene y volver a colocar el tapón del drenaje. Retirar la tapa con varilla medidora y rellenar con aceite nuevo del grado recomendado. Arrancar el motor y operarlo por 30 segundos.

TAPÓN PARA ORIFICIO DE DRENAJE

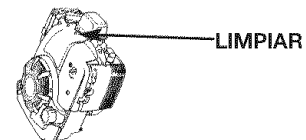


- Apagar el motor. Esperar 30 segundos y volver a inspeccionar el nivel de aceite. Si se requiere, agregar aceite hasta que el nivel alcance la marca FULL (LLENO) en la varilla.

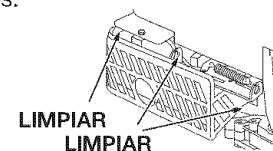


Inspección del motor - Protección para dedos/silenciador

- No limpiar el motor con un chorro de agua fuerte porque el agua podría contaminar el sistema de combustible. Después de cada uso, con una brocha o cepillo limpiar el protector con aberturas de ventilación para evitar que el motor se dañe por sobrecalentamiento.



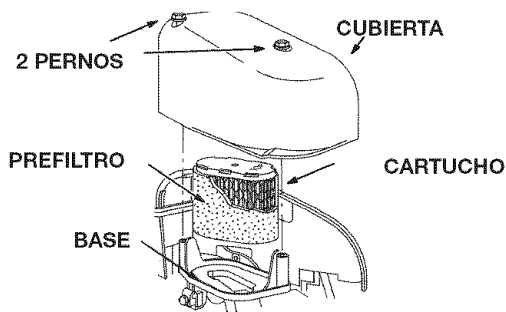
- Antes de operar el motor, limpiar el área del silenciador para eliminar el pasto y los residuos que puedan ser combustibles.



Limpieza del prelimpiador y del cartucho para la limpieza del aire.

Su motor está equipado con un elemento dual para la limpieza del aire: los dos elementos incluyen un elemento prelimpiador de espuma y un cartucho para la limpieza del aire.

- Para extraer el elemento de limpieza del aire, afloje los dos tornillos de la tapa y levántela. Extraiga cuidadosamente el cartucho prelimpiador, de espuma y el cartucho para la limpieza del aire.
- Para la limpieza del prelimpiador y del cartucho de limpieza del aire, lávelos en detergente líquido y agua. Déjelos secar completamente antes de volver a usarlos. No aceite el prelimpiador ni el cartucho. Reemplácelos si estuviesen demasiado sucios o dañados.
- Después de la limpieza del prelimpiador y del cartucho para la limpieza del aire, reponga el prelimpiador dentro del cartucho del limpiador de aire.
- Instale el conjunto limpiador de aire (prelimpiador y cartucho) en la base. Luego instale la tapa sobre el limpiador de aire y ajuste firmemente los tornillos a la base.



NOTA: No usar solventes derivados de petróleo, tales como kerosene, porque deteriorarán el cartucho del filtro. No usar aire presurizado para limpiar el filtro. El aire presurizado puede dañar el cartucho del filtro.

Limpiar y Reemplazar la Bujía

Reemplazar la bujía cada 100 horas de operación o una vez cada año, lo que sea primero. Esto ayudará a que el motor arranque con facilidad y opere mejor.



MANTENIMIENTO Y REGULACIONES

Carburador

El carburador de la lavadora de alta presión está regulado de fábrica. El carburador no deberá alterarse. Si la lavadora a presión se usa a una altitud superior a 1,500 metros (5,000'), consultar con el Centro de Servicio de Sears más cercano para obtener las regulaciones necesarias para la altitud.

PRECAUCIÓN La velocidad del motor se fijó en la fábrica a un punto apropiado y no debe requerir regulaciones adicionales. No intentar alterar la velocidad del motor. En caso que se sospeche que el motor está operando muy lento o muy rápido, llevar la lavadora a presión a un Centro de Servicio Autorizado de Sears para que lo reparen o regulen.

ADVERTENCIA Las velocidades elevadas de operación son peligrosas y aumentan el riesgo de daños personales o al equipo.

PRECAUCIÓN Las bajas velocidades del motor imponen una carga pesada al motor, y cuando el motor no provee la potencia necesaria, la vida útil del motor podría acortarse.

Limpieza de la Boquilla

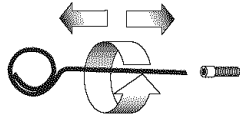
Si la boquilla se obstruyese con materiales extraños, tales como suciedad, la unidad podría desarrollar un exceso de presión. Si la boquilla se obstruyese parcialmente o se restringiese, la presión de la bomba pulsará. En estos casos limpiar inmediatamente la boquilla usando el juego limpiador suministrado con la unidad y siguiendo los pasos indicados a continuación:

1. Apagar la lavadora a presión y cerrar el suministro de agua.
2. Desconectar el cable de la bujía.

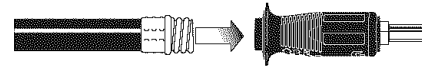
3. Apretar el gatillo de la pistola aplicadora para aliviar toda la presión de agua acumulada.
4. Desconectar el tubo aplicador de la pistola.
5. Sacar la boquilla del extremo del tubo aplicador con la llave Allen de 2mm provista con la unidad.



6. Limpiar la boquilla usando el limpiador de boquillas que se provee o con un clip para papeles enderezado. Introducir en un extremo de la boquilla y moverlo hacia adelante hacia atrás hasta eliminar la obstrucción.



7. Eliminar los residuos pasando agua al reverso por el tubo durante unos 30 segundos.



8. Volver a instalar la boquilla en el tubo aplicador. Ajustar firmemente para evitar fugas.
9. Volver a instalar el tubo aplicador en la pistola y abrir el suministro de agua.
10. Arrancar la lavadora a presión y probar haciéndola funcionar en presión alta.

ALMACENAMIENTO

Preparación de la unidad para su Almacenamiento

NOTA: Si no se tiene planeado usar la lavadora de presión por 30 días o más, debe prepararse la unidad para su almacenamiento.

IMPORTANTE: Durante el almacenaje, es importante evitar la formación de sedimentos pegajosos en el sistema de combustión tales como en el carburador, manguera del filtro de combustible o tanque. La experiencia también nos indica que las gasolinas mezcladas con alcohol (llamadas gasohol o que tienen etanol o metanol) pueden atraer humedad que luego se separará y formará ácidos durante el almacenaje de la unidad. La gasolina ácida puede dañar el motor mientras esté almacenado. Para evitarle problemas al motor, vaciar el sistema de combustión antes de almacenar la unidad por 30 días o más. Nunca echar productos limpiadores para el motor o el carburador en el tanque de combustible porque se pueden causar daños permanentes.

Preparación del Motor

- Primero agregarle estabilizador de combustible al tanque de gasolina.
- Hacer funcionar la lavadora por 5 minutos completos para permitir que el estabilizador de combustible entre a todo el sistema de combustión.
- A continuación, apagar el motor y desconectar el suministro de agua.
- Desconectar el cable de la bujía y sacar la bujía.
- Echar una cucharadita de aceite en el orificio de la bujía.
- Taponar el orificio con un paño y tirar de la manija de la cuerda del arrancador varias veces para lubricar la cámara de combustión.
- Volver a colocar la bujía, pero no conectar el cable de la bujía.

⚠ PRECAUCIÓN

Mientras se lleve a cabo este procedimiento, cerciorarse que la bomba tenga su suministro de agua y que el agua salga de la unidad. NUNCA permitir que la unidad funcione sin que corra agua por la bomba.

La desatención de este punto causará daños a la bomba.

Preparación de la Bomba

Esta lavadora a presión deberá ser almacenada de forma tal que quede protegida del congelamiento. No la guarde a la intemperie ni en un área en la que la temperatura baje por debajo de 0°C (32°F). Tal cosa podría dañar seriamente a la unidad.

Si la unidad debe ser almacenada bajo condiciones de congelamiento, deberá colocársele un anticongelante no tóxico R.V. dentro de la bomba, conforme a los pasos indicados más abajo, con el objeto de preservarla del congelamiento.

- Asegúrese de que el interruptor esté en la posición "OFF" y que el cable de la bujía ha sido extraído de la misma.
- Presione del gatillo de la pistola rociadora a fin de aliviar la presión de la manguera de alta presión. Desconecte las mangueras de alta presión y de jardín, de la unidad.
- Tire de la soga del arranque del motor 4 a 6 veces, con el objeto de descargar el agua remanente en la bomba.
- Incline la unidad en su extremo con la conexión de entrada de agua apuntando hacia arriba.
- Si la unidad debiese ser almacenada a temperaturas por debajo de los 0° C (32° F), vierta aproximadamente 1/4 de taza de anticongelante R.V. dentro de la conexión del agua.
- Coloque la unidad en posición erguida y tire de la soga del arranque del motor 4 a 6 veces con el objeto de hacer circular el anticongelante dentro de la bomba hasta que el mismo sea descargado por la bomba.

GUIA DE DIAGNOSTICOS DE PROBLEMAS

PROBLEMA	CAUSA	CORRECCIÓN
El motor no arranca (vea el Manual del motor para informarse acerca de diagnóstico de problemas)	<ol style="list-style-type: none"> 1. Sin combustible. 2. Acumula presión después de tirar dos veces de la cuerda del arrancador o después del primer uso. 3. No está cebado. 4. Bujía no colocada. 5. La palanca de choke (estrangulamiento) está en la posición de "Choke" cuando el motor está "caliente" o cuando ha estado expuesto al calor por un largo periodo. 	<ol style="list-style-type: none"> 1. Agregue combustible. 2. Apriete el gatillo de la pistola para aliviar la presión. 3. Apretar el cebador 3 veces. 4. Instalar la bujía 5. Mover la palanca de choke a la posición de "No Choke".
Nada o baja presión (después del uso inicial)	<ol style="list-style-type: none"> 1. El tubo aplicador no está en alta presión. 2. Poco suministro de agua. 3. Pérdida en la manguera de alta presión. 4. Tobera obstruida. 5. Filtro de agua atascado 6. Aire en la manguera. 7. La palanca del choke (estrangulamiento) está en la posición de "Choke". 8. La palanca de control de aceleración no está en la posición de "Fast" (Rápido). 9. La manguera de alta presión es demasiado larga. 	<ol style="list-style-type: none"> 1. En la sección Operación, vea el párrafo acerca de como utilizar la varilla rociadora. 2. El suministro de agua debe ser por lo menos 5 GMP a 20 PSI 3. Repare pérdida. Aplique cinta de teflon si fuera necesario. 4. Limpie la tobera con un broche de papeles o las herramientas de juego para limpieza de toberas, enjuague con agua la punta de la tobera para eliminar la obstrucción. 5. Remueva y limpie el filtro. 6. Apagar el motor y luego cortar el suministro de agua. Desconectar el suministro de agua de la entrada a la bomba y abrir el suministro de agua para eliminar todo el aire que hay en la manguera. Cuando se obtenga un flujo de agua constante, cerrar el suministro de agua. Reconectar el suministro de agua a la entrada de la bomba y abrir el suministro de agua. Apretar el gatillo para eliminar el aire restante. 7. Mover la palanca a la posición de "No Choke". 8. Mover la palanca de control de aceleración a la posición de "Fast" (Rápido). 9. Utilice manguera de alta presión por distancias menores a 100 pies (30.5 m)
No absorbe químico	<ol style="list-style-type: none"> 1. El tubo aplicador no está en baja presión. 2. Filtro químico obstruido. 3. La malla química no esta dentro del producto químico. 4. La perilla de regulación del químico está cerrada. 5. La solución química está demasiado espesa. 6. La manguera de alta presión es demasiado larga. 7. Acumulación de sedimentos químicos dentro del inyector. 	<ol style="list-style-type: none"> 1. En la sección Operación, vea el párrafo acerca de como utilizar la varilla rociadora. 2. Limpie el filtro. 3. Asegúrese que el terminal de la manguera química está completamente sumergido en el químico. 4. Para abrir, girar la perilla completamente contra el sentido del reloj. 5. Diluir más el químico. El químico debe tener la misma consistencia del agua. 6. Alargue la manguera de suministro de agua antes que la manguera de presión. 7. Hacer limpiar las piezas o reemplazarlas por AWSC.

PROBLEMA	CAUSA	CORRECCIÓN
Nada o baja presión (después de un periodo normal de uso)	<ol style="list-style-type: none"> 1. Sello gastado o atascado. 2. Válvulas gastadas u obstruidas. 3. Pistón de descarga gastado 	<ol style="list-style-type: none"> 1. Reemplácelas por AWSC. 2. Reemplácelas por AWSC. 3. Reemplácelas por AWSC.
Agua goteando en la conexión de la pistola/lanza aplicadora	<ol style="list-style-type: none"> 1. O-ring gastado o roto. 2. Acople de manguera flojo 	<ol style="list-style-type: none"> 1. Verificar y reemplazar. 2. Ajustar
Agua goteando de la bomba	<ol style="list-style-type: none"> 1. Acoples flojos 2. Empaquetadura del pistón gastada. 3. O-ring gastado o roto. 4. Cabezal de la bomba o tubos dañados por congelamiento. 	<ol style="list-style-type: none"> 1. Ajustar 2. Verificar y reemplazar. 3. Reemplácelas por AWSC. 4. Reemplácelas por AWSC.
Goteo de aceite en la bomba	<ol style="list-style-type: none"> 1. Sellos de aceite gastados. 2. Tapón de drenaje flojo. 3. Anillos "O" gastados en el drenaje de la bomba 4. Anillo "O" del tapón gastados. 5. Bomba sobre llenada. 6. Uso incorrecto de aceite. 7. Tapa del respiradero está obstruida. 	<ol style="list-style-type: none"> 1. Reemplace por AWSC. 2. Ajuste. 3. Verifique y reemplace. 4. Verifique y reemplace. 5. Verifique por correcta cantidad. 6. Escurra y llene con correcta cantidad y tipo de aceite. 7. Limpiar la tapa del respiradero; soplar aire a través de ella para desatorarla. Si el problema persiste, cambiar la tapa

Briggs & Stratton Corporation (B&S), the California Air Resources Board (CARB) (Concejo de Recursos del Aire de California), y la United States Environmental Protection Agency (U.S. EPA) (Agencia de Protección del Medioambiente de los Estados Unidos) Declaración de garantía para el sistema de control por la emisión de gases (Garantía derechos y obligaciones que asisten al propietario)

LA COBERTURA DE LA GARANTÍA PARA EL SISTEMA DE CONTROL POR LA EMISIÓN DE GASES ES APLICABLE A LOS MOTORES COMPRADOS DURANTE 1995 Y USADOS DESDE ENTONCES EN

CALIFORNIA, Y EN MODELOS CERTIFICADOS DEL AÑO 1997 Y EN AQUELLOS MOTORES QUE SE HAYAN COMPRADO Y USADO EN OTROS SITIOS DENTRO DE LOS ESTADOS UNIDOS.

Declaración de garantía dentro de California y los Estados Unidos, para el control de los defectos por la emisión de gases.

El Concejo de Recursos del Aire de California (CARB), U.S. EPA y B&S tienen el gusto de explicar el sistema de Garantía sobre el Control de Emisión de Gases, para los motores chicos de todo servicio (SORE), correspondiente a los modelos del año 2000 y posteriores. En California, los nuevos motores chicos para todo servicio deben ser diseñados, contruidos y equipados de forma tal que satisfagan rigurosamente los estándares del Estado en materia anti-smog (niebla tóxica). En otros sitios de los Estados Unidos los nuevos motores con ignición a chispa, para todo servicio, certificados para los modelos 1997 y posteriores, deben cumplir con estándares similares a los establecidos por U.S. EPA.

Garantía de cobertura dada por Briggs & Stratton sobre el control de defectos en la emisión de gases

Los motores chicos para todo servicio están garantizados durante dos años en relación con la emisión de gases y partes, sujetos a las estipulaciones

B&S debe garantizar el sistema de control de emisión de gases en su motor, durante los periodos de tiempo mostrados más abajo, asumiendo que no ha habido abuso, negligencia ni mantenimiento inapropiado de su motor chico para todo servicio. El control de emisión de gases incluye partes tales como carburador, filtro de aire, sistema de ignición, silenciador y convertidor catalítico. Asimismo puede haber conectores incluidos y otros conjuntos relacionados con la emisión. Donde exista la condición garantizable, B&S reparará su motor chico para todo servicio sin cargo, incluyendo diagnóstico, piezas y mano de obra.

establecidas más abajo. Si cualquiera de las partes amparadas en su motor estuviese defectuosa, la pieza será reparada o reemplazada por B&S.

Responsabilidades del propietario de la garantía.

Como propietario de un motor chico para todo servicio, usted es responsable de la eficiencia del mantenimiento requerido en el listado de sus Instrucciones Operativas y Mantenimiento. B&S le recomienda retener todos los recibos que cubran el mantenimiento de su motor chico para todo servicio, aunque B&S no podrá negarle la garantía solamente por la falta de ellos, ni por su desatención en asegurar la eficiencia de todos los mantenimientos programados. Sin embargo, como propietario de un motor chico para todo servicio, usted debe quedar advertido que B&S podrá denegar la cobertura de su garantía si su motor chico para todo servicio o parte del mismo ha tenido una falla debido al abuso, negligencia, mantenimiento inapropiado o modificaciones no aprobadas.

Usted es responsable de la presentación de su motor chico para todo

servicio ante un concesionario autorizado de servicio B&S, tan pronto como exista el problema. La indiscutida reparación por garantía será completada dentro de un periodo razonable de tiempo, que no excederá los 30 días.

En caso de tener consultas que formular relacionadas con sus derechos y responsabilidades respecto a la garantía, deberá usted contactar al representante de servicio de B&S, al número 1-414-259-5262.

La garantía de emisión de gases es una garantía de defectos. Los defectos son juzgados sobre la base de la eficiencia normal del motor. La garantía no está relacionada con una verificación de uso para la emisión de gases.

Condiciones de la garantía del control de defectos estipulados por Briggs & Stratton

Las siguientes son condiciones específicas relacionadas con la cobertura de la garantía por el control de la emisión de gases. Ellas son adicionales a la garantía dadas por B&S sobre sus motores no regulados, estipuladas en las instrucciones de funcionamiento y de mantenimiento.

1. Piezas garantizadas

La cobertura de esta garantía se extiende solamente a las piezas listadas a continuación (sistema de control de la emisión de gases para piezas) y hasta que dichas piezas estuviesen instaladas en el motor adquirido.

- a. Sistema de medición de combustible
 - Sistema enriquecido de arranque en frío
 - Carburador y piezas interiores
 - Bomba de combustible
- b. Sistema de inducción de aire
 - Filtro de aire
 - Colector de entrada
- c. Sistema de ignición
 - Bujía(s)
 - Sistema de ignición a magneto
- d. Sistema catalizador
 - Convertidor catalítico
 - Múltiple de escape
 - Sistema de inyección de aire o válvula impulsora.
- e. Ítems misceláneos utilizados en los sistemas citados anteriormente
 - Aspiradora, temperatura, posición, válvulas sensoras e interruptores.
 - Conectores y conjuntos

2. Extensión de la cobertura

B&S garantiza al comprador inicial y cada comprador subsecuente, durante dos años a partir de la fecha en la que el motor sea enviado al comerciante comprador, que las partes garantizadas estarán libres de defectos en materiales y mano de obra que pudiesen significar la falla de las partes garantizadas.

3. Sin cargo.

La reparación o reemplazo de cualquier pieza garantizada será efectuado sin cargo al propietario, incluida la mano de obra que implique el diagnóstico conducente a la determinación de la defectuosidad de la pieza, en tanto dicho diagnóstico sea realizado en un concesionario de servicio B&S autorizado. Con respecto al servicio de garantía por emisión de gases, sírvase contactar a nuestro concesionario de servicio B&S autorizado más cercano listado en las "Paginas Amarillas" bajo el título "Motores, Gasolina," "Motores a gasolina," "Cortadoras de pasto" o categorías similares.

4. Exclusiones por reclamos y coberturas

Los reclamos por garantía deberán ser completados conforme a las condiciones estipuladas por B&S en su política de garantía de motores. La cobertura de la garantía excluirá las fallas en las partes garantizadas en aquellas que no sean partes originales de B&S o que hayan sido sometidas a abuso, negligencia o mantenimiento inapropiado, tal como se establece en la política de garantía de B&S para sus motores. B&S no se hará responsable de la cobertura de fallas en piezas garantizadas ocasionadas por el uso de piezas agregadas, partes no originales o modificación de las mismas.

5. Mantenimiento

Cualquier pieza garantizada que no haya cumplido con el reemplazo programado como mantenimiento requerido, o aquello que esté programado solamente para una inspección regular a los "efectos de reparar o reemplazar lo que fuese necesario" será garantizado contra defectos durante su periodo de garantía. Cualquier pieza garantizada que estuviese programada para su reemplazo como mantenimiento requerido, será garantida contra defectos solamente durante el tiempo requerido hasta el primer reemplazo programado para dicha pieza. Cualquier pieza de reemplazo equivalente en eficiencia y durabilidad podrá ser utilizada a los efectos de la ejecución de cualquier tarea de mantenimiento o reparación. El propietario es responsable por la eficacia de todos los mantenimientos requeridos, conforme a lo definido en las instrucciones operativas y de mantenimiento de B&S.

6. Cobertura resultante

La cobertura citada a continuación se extenderá hasta la falla de cualquier componente del motor, originada por la irregularidad de cualquier pieza garantizada que aun esté bajo garantía..

Acerca de la garantía de su motor:

Briggs & Stratton se complace en anunciar la garantía de reparación y se disculpa ante usted por importunar. Cualquier concesionario con servicio autorizado puede efectuar las reparaciones de la garantía. La mayoría de las reparaciones de garantía son manejadas en forma rutinaria, pero algunas veces los requerimientos de las mismas pueden no ser apropiados. Por ejemplo, la garantía no tendrá aplicación si el daño del motor ocurrió debido a uso indebido, falta del mantenimiento de rutina, envío, manipuleo, estibaje o instalación inadecuada. Igualmente, la garantía quedará cancelada si el número de serie del motor ha sido removido o el motor ha sufrido alteraciones o modificaciones.

Ante la eventualidad de diferencias entre el cliente y la decisión del concesionario de servicio, se llevará a cabo una investigación con el objeto de determinar la aplicación de los alcances de la garantía. Solicite al concesionario de servicio el sometimiento de toda la información de los hechos, a su distribuidor o a la fábrica para su revisión. Si el distribuidor o la fábrica decidiesen que el reclamo es justificado, el cliente será reembolsado completamente por aquellos ítems defectuosos. Para evitar malos entendidos respecto a lo que ocurriría entre el cliente y el concesionario, listamos a continuación algunas de las causas de falla del motor que la garantía no cubre.

Desgaste normal:

Los motores, como cualquier otro dispositivo mecánico, requieren servicio de partes y reemplazos, para poder funcionar bien. La garantía no cubre los gastos de reparación cuando el uso normal ha agotado la vida útil de una pieza o del motor.

Mantenimiento inadecuado:

La vida de un motor depende de las condiciones en las cuales opere, y del cuidado que reciba. Algunas aplicaciones, tales como cultivadoras, bombas, o cortadoras de césped, son - a menudo - usadas en condiciones sucias o polvorosas, lo cual posibilita la aparición de lo que puede parecer un desgaste prematuro. Tal desgaste, cuando es ocasionado por tierra, polvo, limpieza de bujías por arenado, u otro material abrasivo que pudiese penetrar el motor debido a un mantenimiento inadecuado, no queda cubierto por la garantía.

Esta garantía cubre el material defectuoso relacionado con el motor y/o la mano de obra únicamente, y no reemplaza ni reembolsa el equipo sobre el cual podría estar montado el motor. Ni tampoco la garantía se extiende a reparaciones requeridas debido a:

1. PROBLEMAS ORIGINADOS POR PIEZAS QUE NO SON ORIGINALES DE BRIGGS & STRATTON.
2. Controles del equipamiento o las instalaciones que impiden el arranque, siendo la causa de un rendimiento insatisfactorio del motor, o el acortamiento de su vida útil. (Sírvese contactar al fabricante del equipo).

3. Carburadores con pérdidas, conductos de combustibles tapados, válvulas pegadas, u otro daño causado por la utilización de combustible contaminado o viejo. (Use gasolina limpia, nueva, sin plomo y estabilizador Briggs & Stratton, pieza N° 5041)
4. Las piezas marcadas o rotas debido a que el motor fuese operado con aceite lubricante contaminado, en cantidad insuficiente o grado incorrecto (verifique diariamente el nivel del aceite o cada 8 horas de marcha. Complete el nivel cuando sea necesario y cámbielo en los intervalos recomendados.) Lea los "manuales del propietario".
5. Reparaciones o regulaciones con piezas o conjuntos asociados tales como, embragues, transmisiones, controles remotos, etc., que no hayan sido fabricados por Briggs & Stratton.
6. Daños ocasionados por el desgaste de partes originados por la entrada de tierra al motor, debido al mantenimiento inadecuado del filtro de aire, rearmado, o utilización de un elemento filtrante o cartucho no original. (Dentro de los intervalos recomendados, limpie y re-lubrique la esponja filtrante del aceite, el elemento o la esponja prefiltrante, y reemplace el cartucho.) Lea las instrucciones operativas y de mantenimiento.
7. Las partes dañadas por exceso de velocidad o sobrecalentamiento ocasionado por pasto, residuos, suciedad o tierra, que pudiesen taponar u obstruir las aletas de enfriamiento o la zona del volante de inercia, o daños causados por hacer funcionar el motor en una zona de espacio reducido, sin la ventilación suficiente. (Limpie las aletas de ventilación del cilindro, el cabezal del cilindro y el volante de inercia de acuerdo a los intervalos recomendados) Lea las instrucciones de operación y mantenimiento.
8. Motor o partes del su equipamiento rotos por excesiva vibración causada por el montaje flojo del motor, hojas de corte flojas, hojas desbalanceadas, impulsores sueltos o desbalanceados, conexión inadecuada del equipamiento al cigüeñal, exceso de velocidad u otros abusos de la operación.
9. Un cigüeñal doblado o roto, causado por golpe contra un objeto sólido de la cuchilla de corte de una cortadora de césped, o el ajuste excesivo de la correa en V.
10. Mantenimiento de rutina o regulaciones del motor.
11. Fallas del motor o componentes del mismo, por ejemplo: cámara de combustión, válvulas, asientos de válvulas, guías de válvula, bobinados del motor de arranque quemados, ocasionados por el uso alternado de combustibles tales como petróleo licuado, gas natural, gasolinas alteradas, etc.

NOTAS

NOTAS

NOTAS

Get it fixed, at your home or ours!

For repair of major brand appliances in your own home...
no matter who made it, no matter who sold it!

1-800-4-MY-HOMESM Anytime, day or night
(1-800-469-4663)

www.sears.com

To bring in products such as vacuums, lawn equipment and electronics
for repair, call for the location of your nearest **Sears Parts & Repair Center.**

1-800-488-1222 Anytime, day or night

www.sears.com

For the replacement parts, accessories and owner's manuals
that you need to do-it-yourself, call **Sears PartsDirect**SM!

1-800-366-PART 6 a.m. – 11 p.m. CST,
(1-800-366-7278) 7 days a week

www.sears.com/partsdirect

To purchase or inquire about a Sears Service Agreement:

1-800-827-6655

7 a.m. – 5 p.m. CST, Mon. – Sat.

Para pedir servicio de reparación a domicilio,
y para ordenar piezas con entrega a domicilio:

1-888-SU-HOGARSM
(1-888-784-6427)

Au Canada pour service en français:

1-877-LE-FOYERSM
(1-877-533-6937)

