

EXB2525ES

2500 psi @ 2.5 gpm

| | Part Number | Description |
|------------------------|--------------------|----------------------------------|
| Pump Information: | D23833 | .DeVilbiss Pump Kit |
| * | 17658 | .Thermal Relief Valve Assy |
| | * F187 | .Filter Screen |
| | * F035 | .Quick Connect |
| Engine Information: | D23611 | .Engine,B&S 6 Hp,Electric Start |
| | * P448 | .Key |
| | 16255 | .Oil, 20 oz. |
| Frame Information: | D22181 | .Frame |
| | D22268 | .Foot |
| | D23622 | .Handle, bagged |
| | D22101 | .Tire, Pneu |
| | F464 | .Pal Nut (2) |
| Battery Information: | D23605 | .Battery, 12V |
| | D23607 | .Charger, 12V |
| Hardware Information: | | |
| Handle to Frame | ● 16471 | .Knob (2) |
| | ● 19286 | .Saddle Bolts (2) |
| Isolator: | D21436 (qty 2) | .Screw |
| Engine to Frame: | 18297 (qty 4) | .Bolt, 5/16-18 |
| | 16087(qty 4) | .Nut, Flangehead 5/16-18 |
| Pump to Engine: | 17204 (qty 4) | .Screw, 5/16-24 x 3/4" |
| Accessory Information: | D22693 | .Hose Assy |
| | ✕ F035 | .QC Socket |
| | ✕ F039 | .QC Plug |
| | ✕ D22179 | .Hi Pressure Hose, 5/16" x 25ft |
| | D23314 | .Lance, Multi-Reg |
| | D22183 | .Gun, 3/8" Female |
| | * H140 | .Chemical Hose |
| | D22320 | .Bagged Parts |
| | ● NCT001 | .Cleaning Tool |
| | ● 16797 | .Allen Wrench |
| Manual Information: | D22322 | .Manual, General-English/Spanish |
| | D23750 | .Electric Start Instructions |
| | ✓ 17117 | .Manual, Engine |

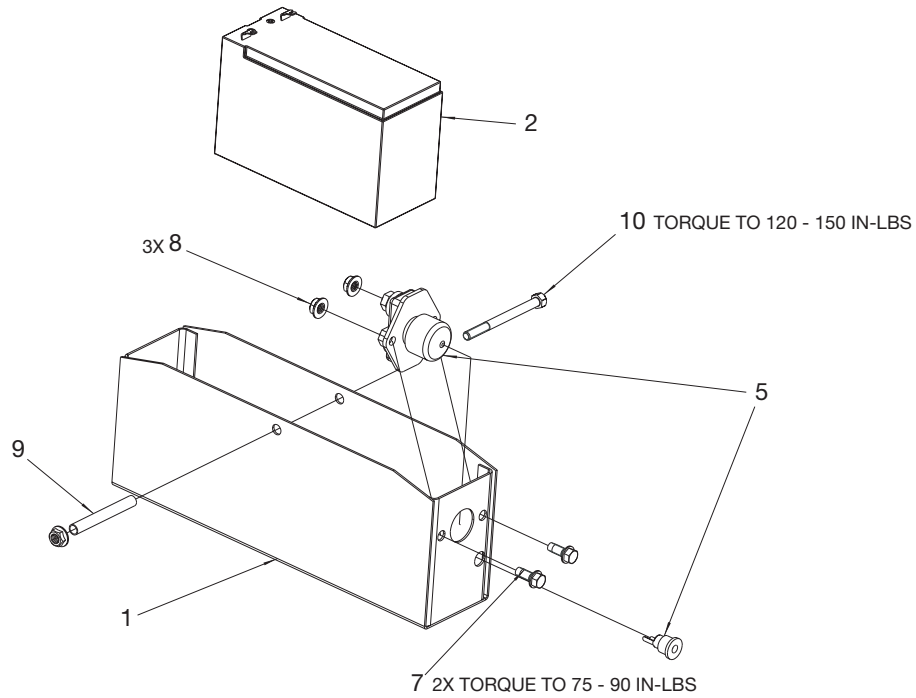


- ✕ Included in Hose Assembly
- Included in Bagged Parts
- ✓ Included in Bagged Handle
- * Included in Pump Assembly

EXB2525ES (continued)

2500 psi @ 2.5 gpm

Battery Box



| <u>Key#</u> | <u>Part Number</u> | <u>Description</u> |
|-------------|--------------------|--------------------|
| 1 | D23598 | Battery Box |
| 2 | D23605 | Battery, 12V |
| 5 | D23609 | Wiring Harness |
| 7 | D21436 | Screw (2 used) |
| 8 | D21437 | Nut (3 used) |
| 9 | D23827 | Screw |
| 10 | D23805 | Spacer |