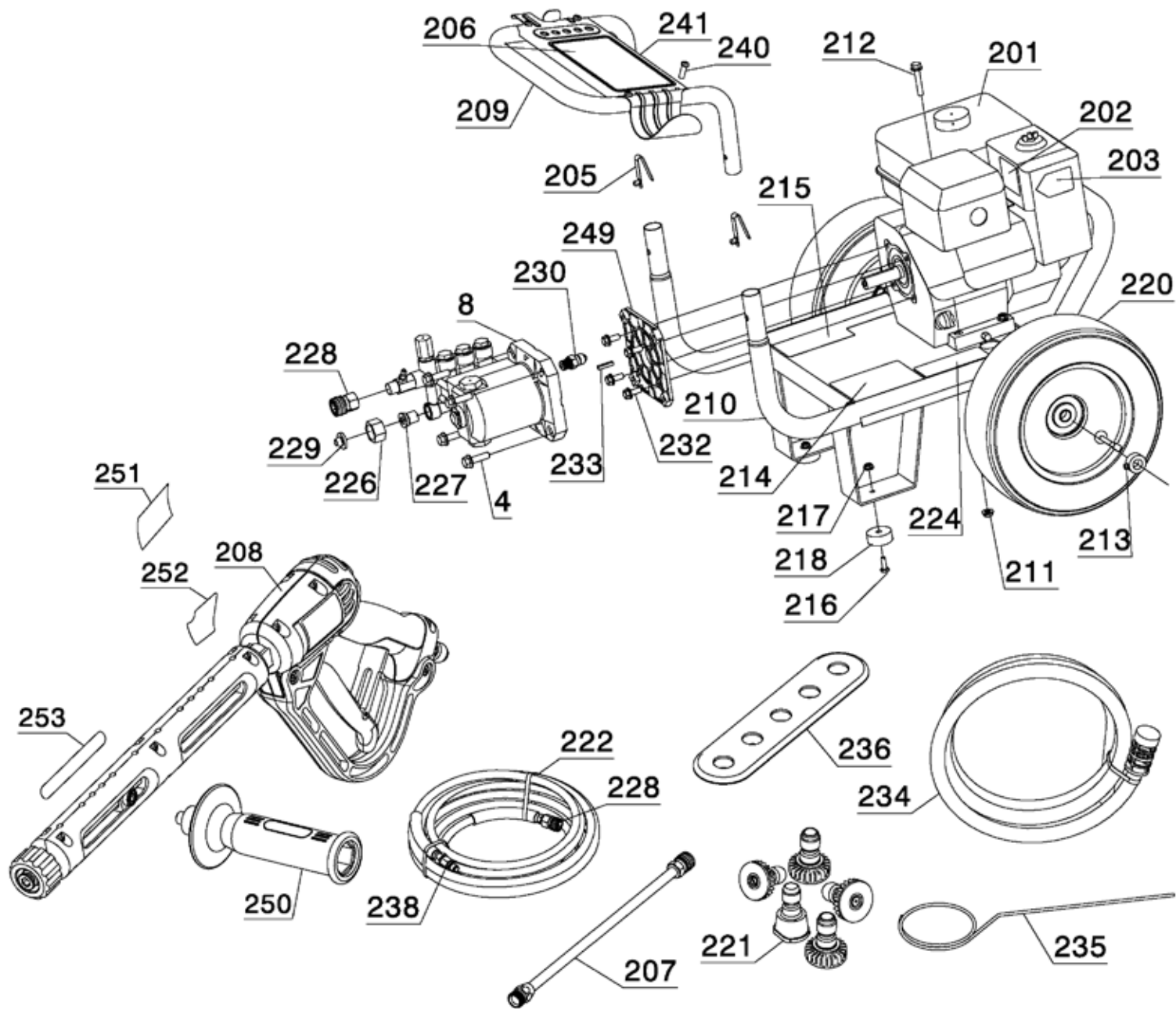
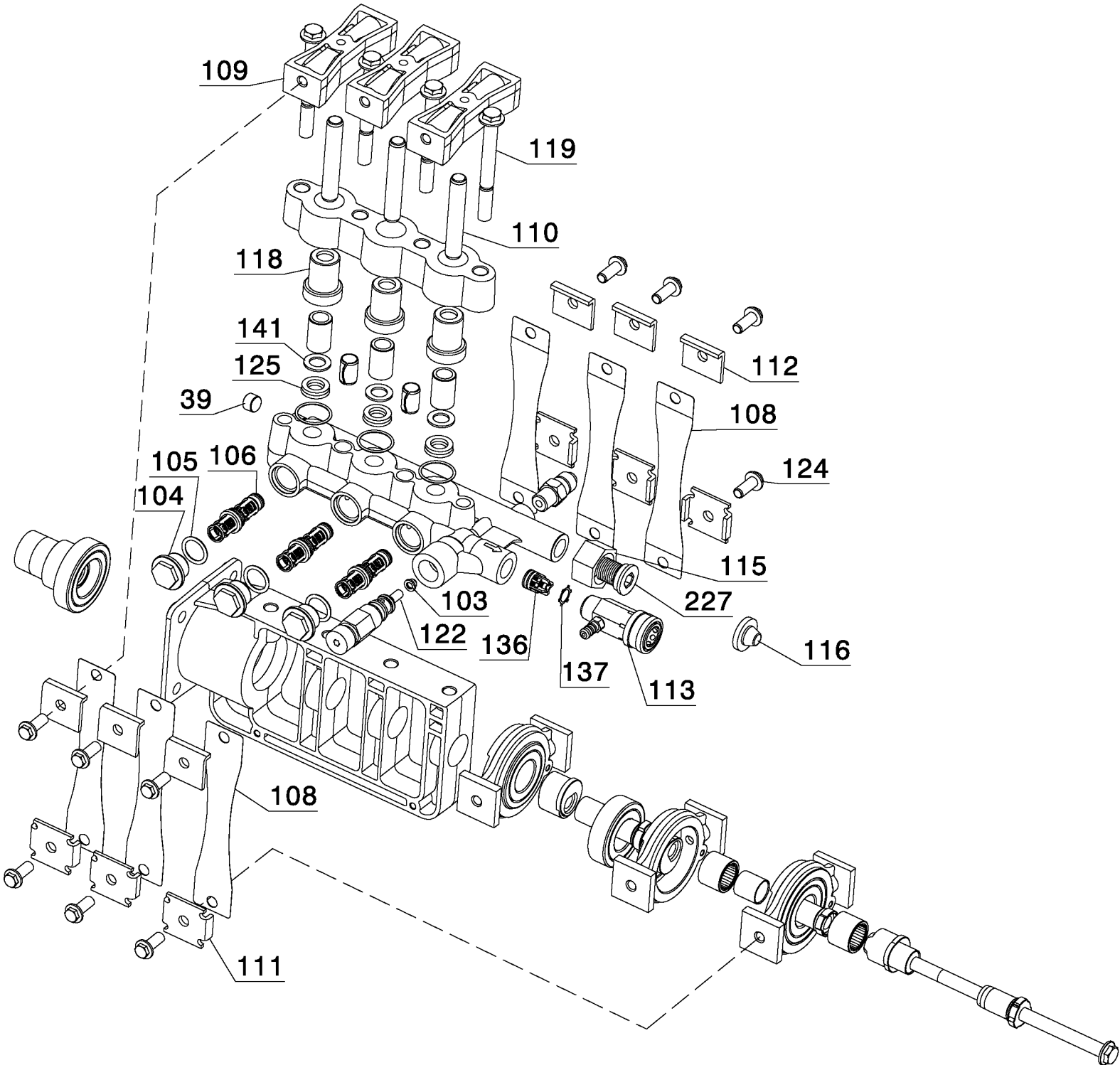
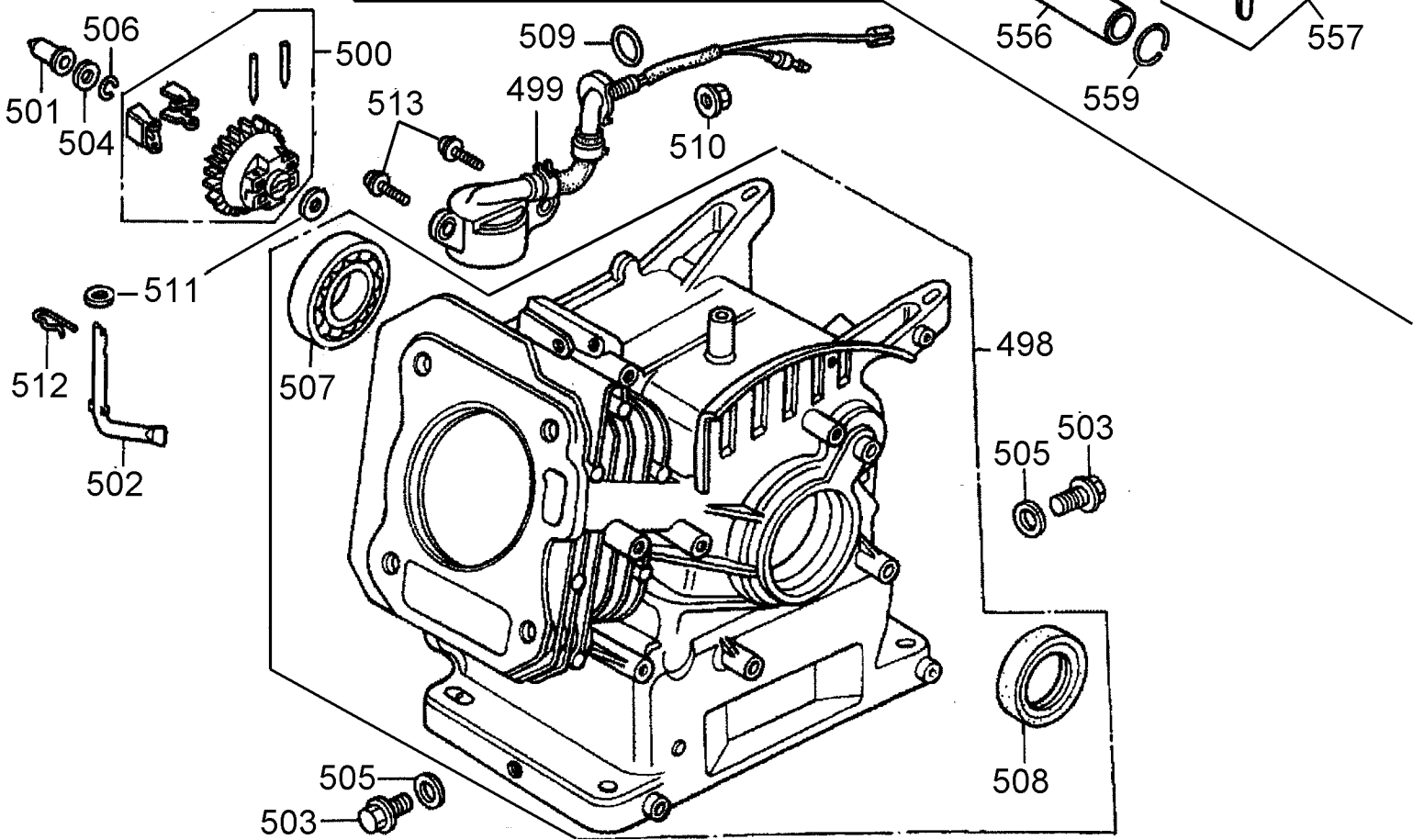
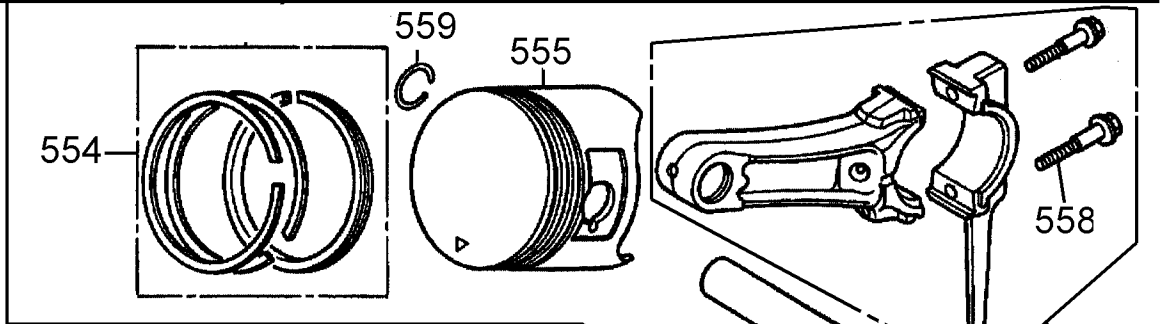
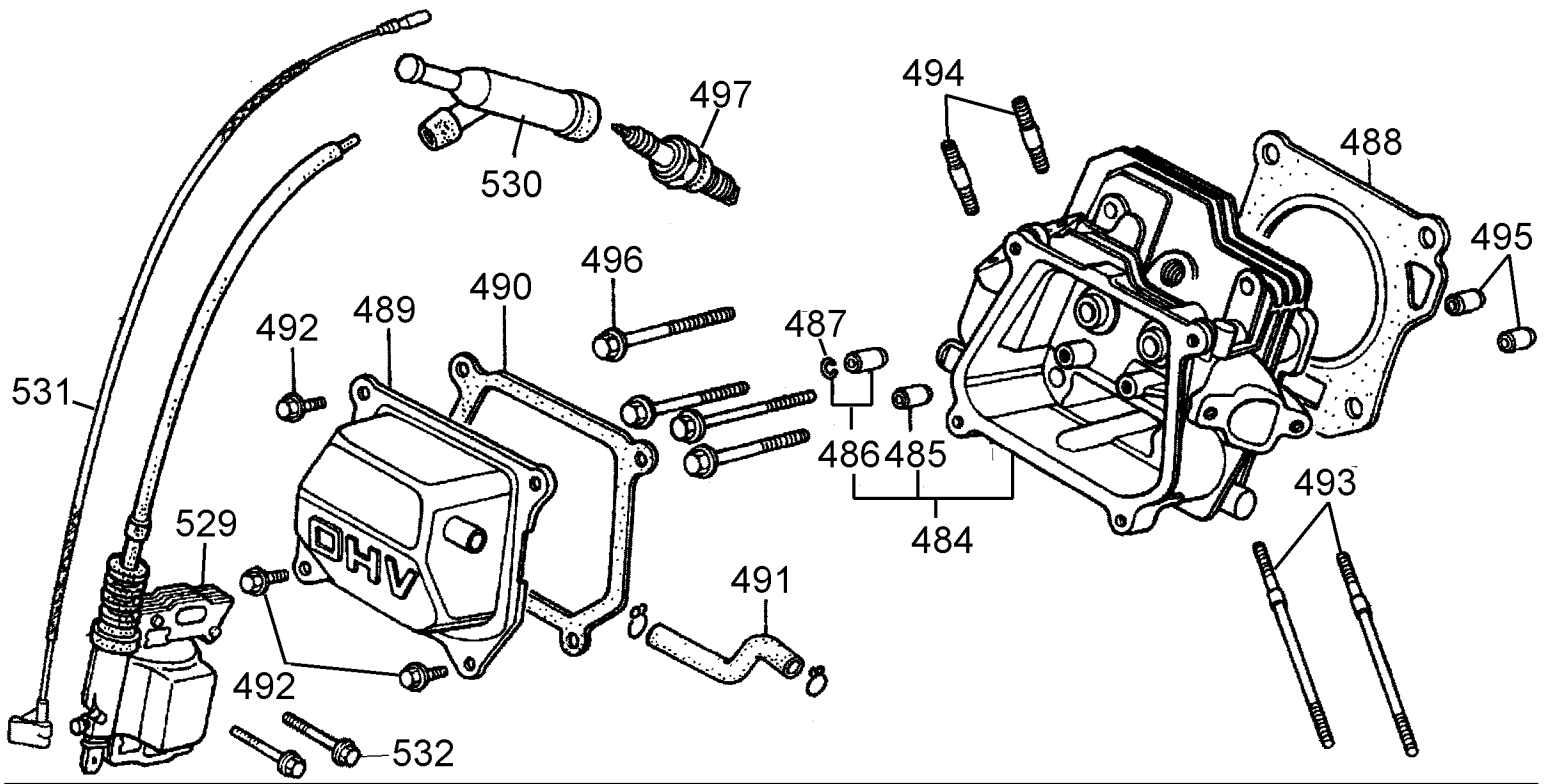


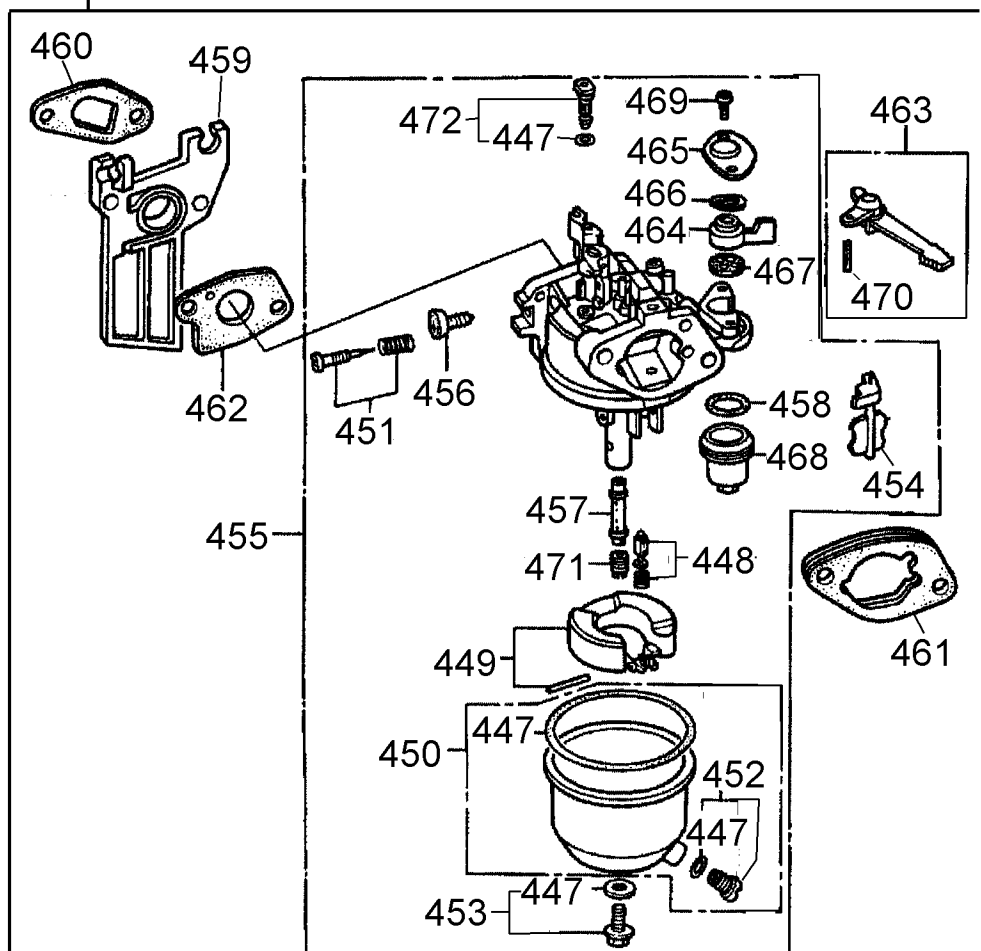
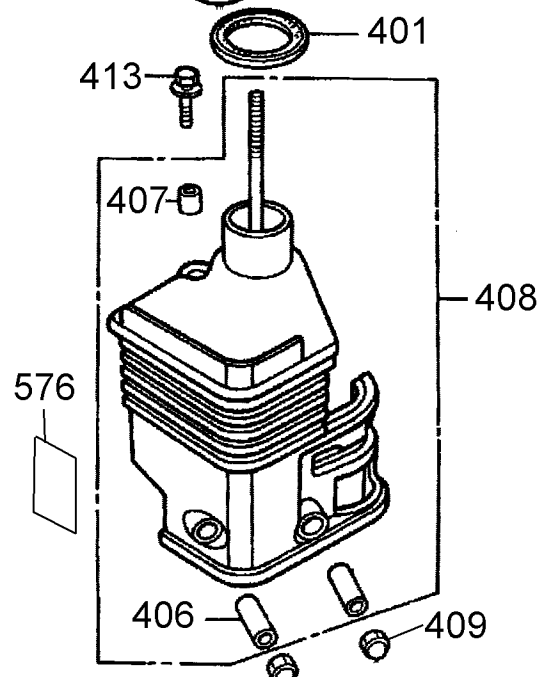
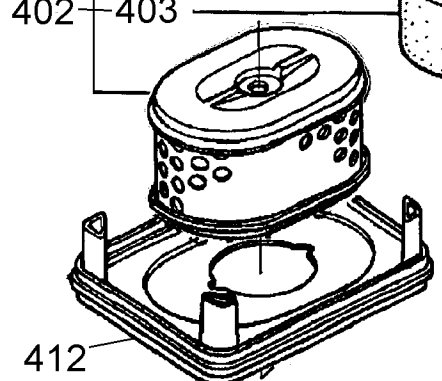
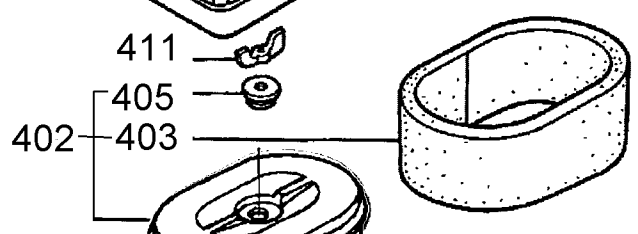
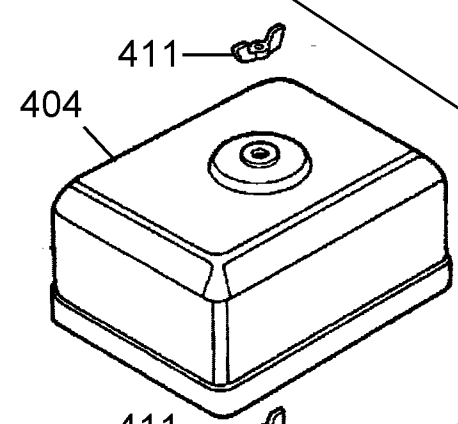
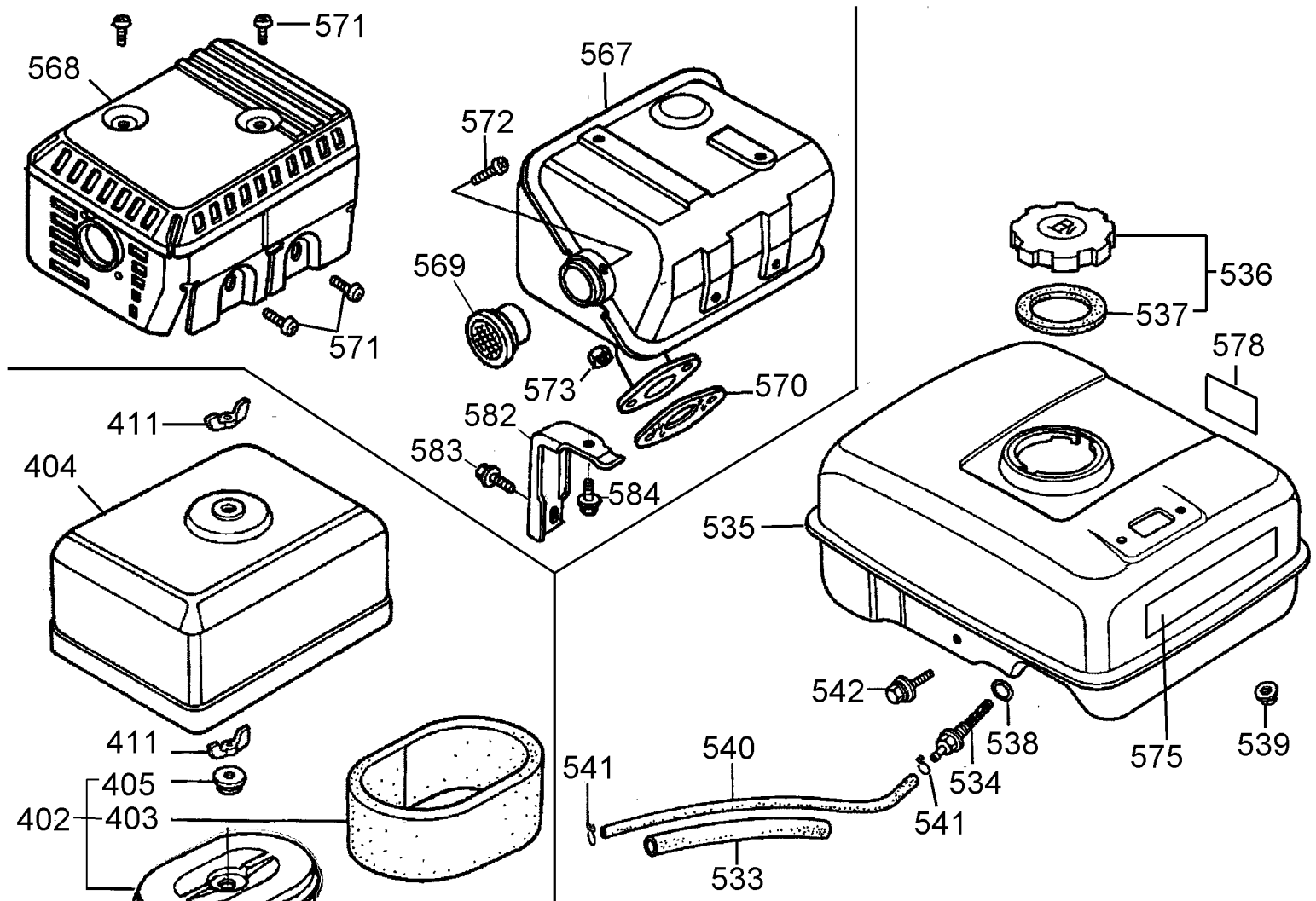


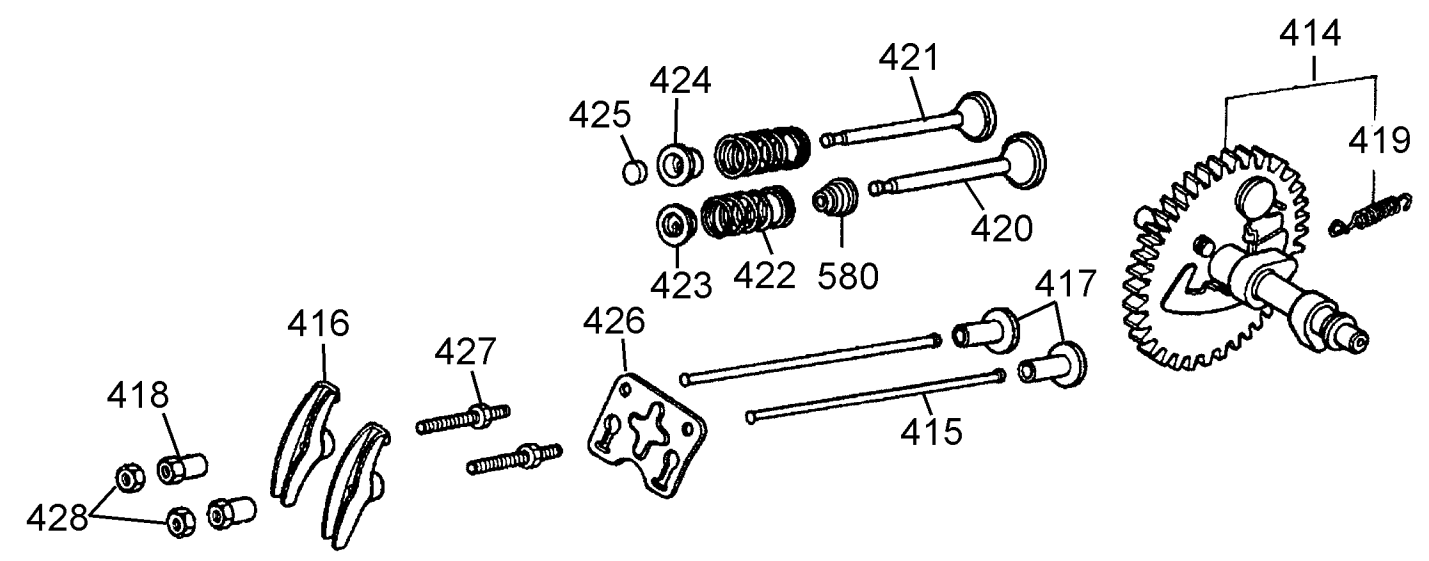
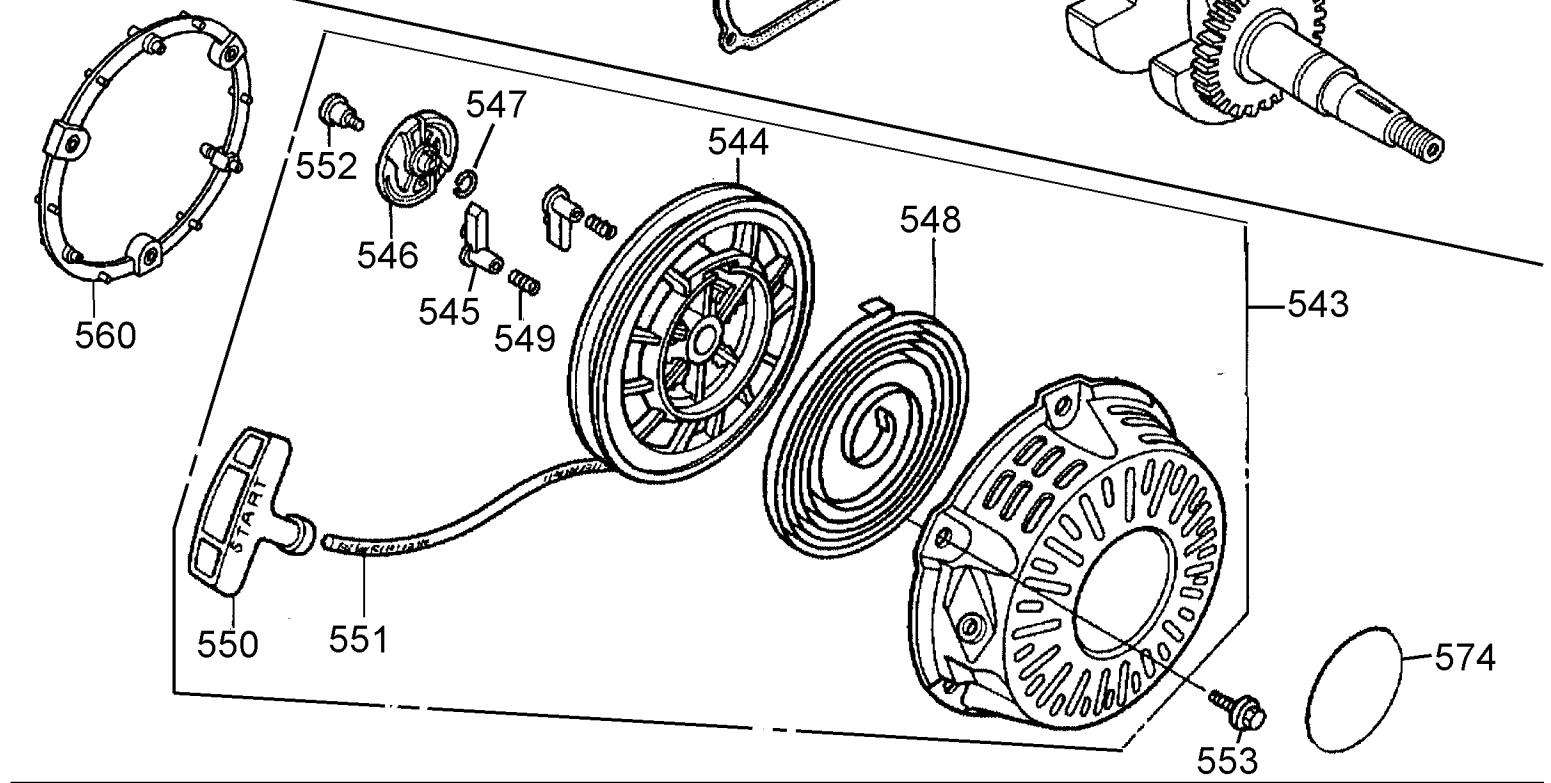
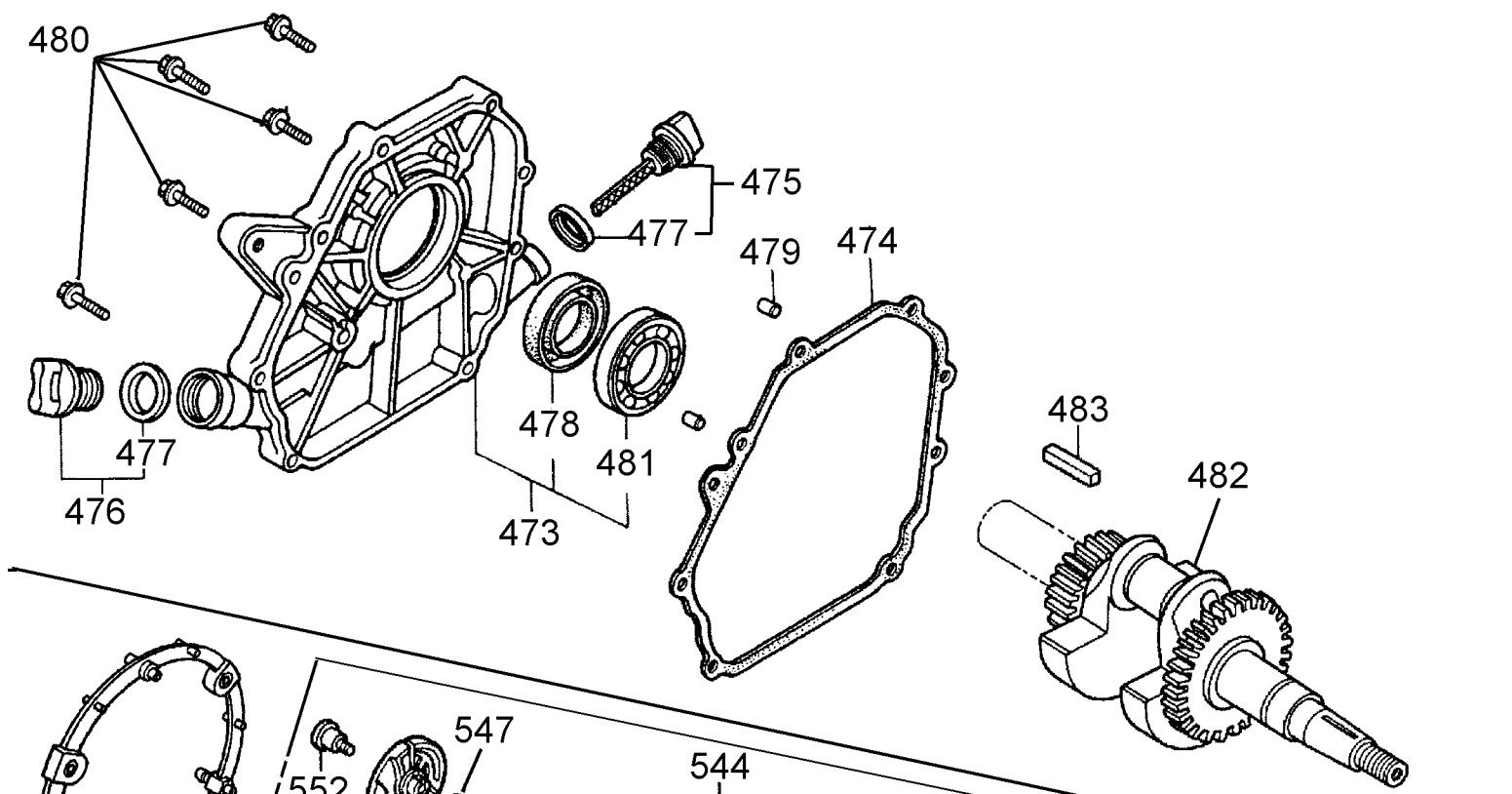
DP3100
Heavy-Duty 3100 PSI, 2.8 GPM Gas Pressure Washer

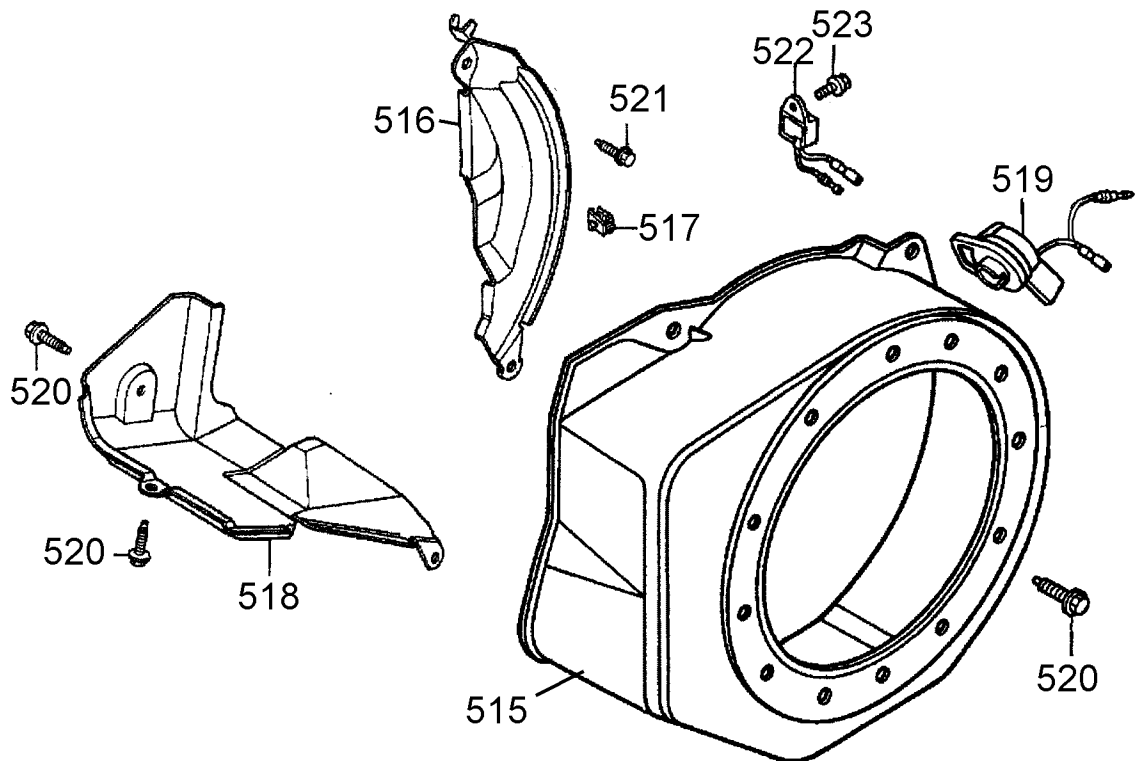
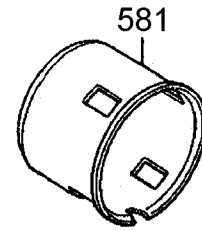
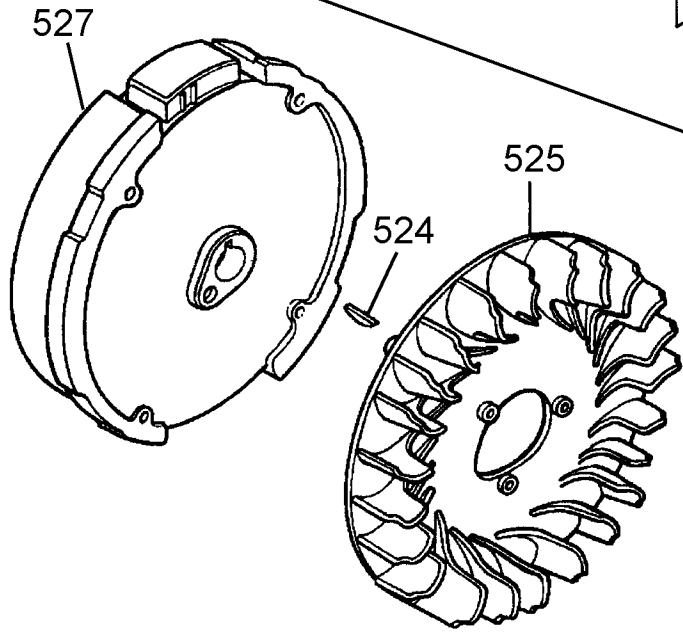
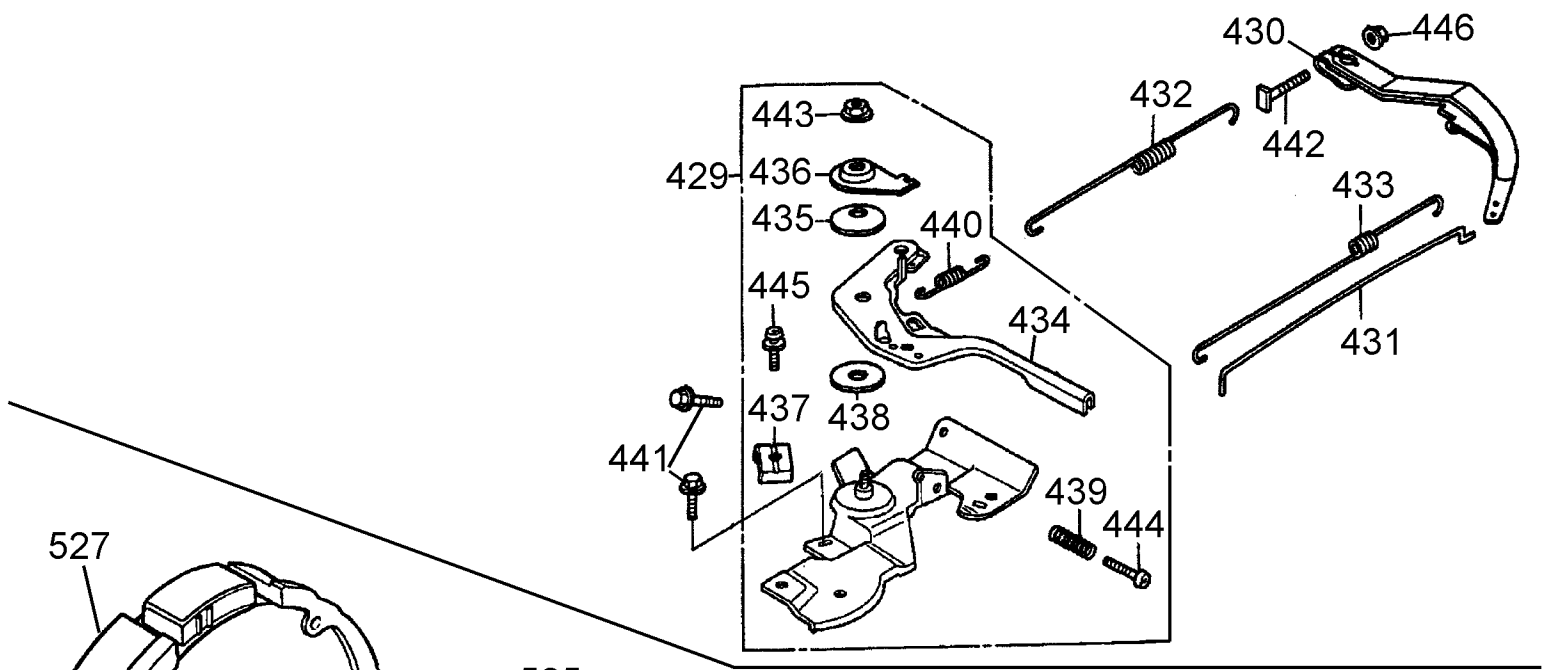


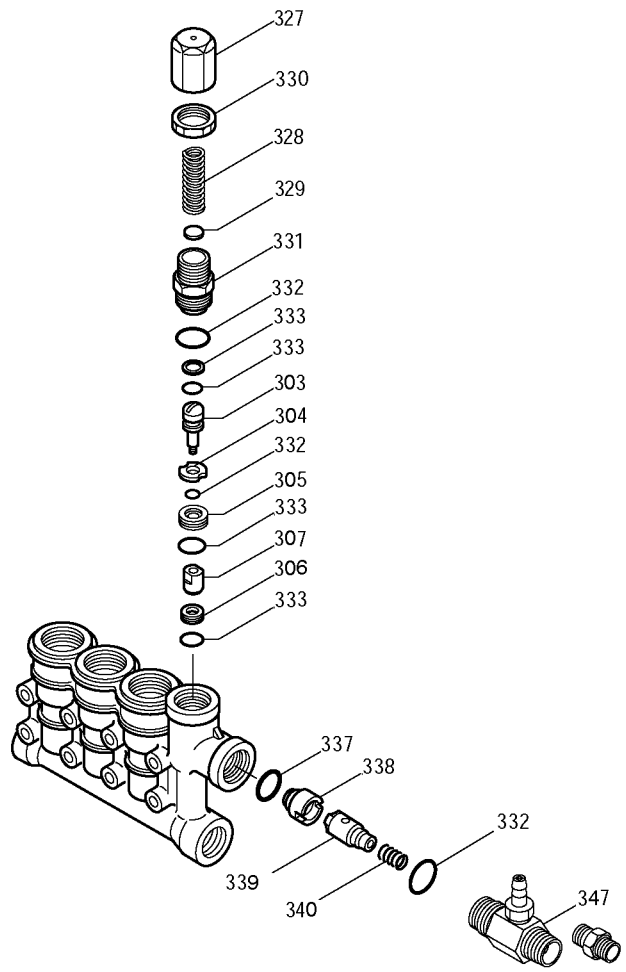












Parts List for DP3100 Type 2

Item Number	Part Number	Description	Qty Required
1	5140043-71	SEAL KIT	1
2	5140043-73	VALVE KIT	1
4	A11349	BOLT .375-16X1.25 FL	4
5	5140043-69	SCREW	3
8	A19989	PUMP	1
10	15789	ORING CAT	1
11	15496	SEAL OIL CAT 55337	1
20	A03523	ROD CONNECTING CAT 5	3
32	A03525	CAP OIL FILLER CAT 5	1
33	P186	ORING CAT 14179	2
37	92241	GAUGE	1
38	P262	SEAL SIGHTGLASS OIL	1
39	16364	PLUG 3/8 NPT	1
48	A03527	PLUG DRAIN CAT 44842	1
64	V178	PIN CONNECTING ROD C	3
65	5140029-47	ROD	3
70	V155	SEAL OIL CAT 47215	3
90	5140043-70	PLUNGER	3
99	A03530	RETAINER PLUNGER M6X	3
100	A03532	RETAINER SEAL CAT 46	3
103	A17490	SEAT	1
104	A06003	PLUG	3
105	A06655	VALVE SEAT	3
106	1000003186	VALVE KIT	1
108	A20582	STRAP	6
109	A03250	CAP	3
110	A01971	PISTON	3

Parts List for DP3100 Type 2

Item Number	Part Number	Description	Qty Required
111	A09435	CLAMP BLOCK	6
112	A02738	CLAMP BLOCK	6
113	D29372	INJECTOR QC CHEMICAL	1
115	H061	NUT SWIVEL GARDENHOS	1
116	F187	SCREEN GARDEN HOSE 3	1
118	A20648	CARRIER	3
119	A09417	SCREW	4
120	5140043-72	CASE SEAL	3
122	A17489	UNLOADER ASSY.	1
124	A09391	SCREW	12
125	A20747	SEAL	3
126	1000002364	O-RING	3
136	D28705	VALVE ASSEMBLY	1
137	A18469	RETAINING RING	1
138	17658	VALVE THERMAL RELIEF	1
140	A17491	BUSHING	3
141	A20748	SEAL	3
174	5140043-84	VALVE PLUG	3
193	A03537	SCREW HSH M6X60 CAT	8
201	A13751	ENGINE	1
202	D23124	LABEL,WARNING	1
203	A14552	LABEL HOT SURFACE	1
205	D30492	BUTTON SNAP .302 DIA	2
206	A13893	WARNING LABEL	1
207	A06118	LANCE EXT	1
208	90510760	GUN	1
208	F179	ORING 1/4 QC	1

Parts List for DP3100 Type 2

Item Number	Part Number	Description	Qty Required
209	A14639	HANDLE	1
210	A20199	FRAME	1
211	16087	NUT .313-18 UNC FLAN	4
212	18297	BOLT .313-18X1.75 FL	4
213	D30249	COLLER AXLE SET SCRE	2
214	A16266	LABEL WARNING	1
215	A16265	LABEL WARNING	1
216	D21436	SCREW .250-20X.750 U	2
217	D21437	NUT.250-20 FLANGEHEA	2
218	D22268	ISOLATOR RECESSED RU	1
220	A19440	TIRE	2
221	D25573	KIT NOZZLE 3.25 QC 0	1
222	A20559	HOSE ASSEMBLY	1
224	A20813	NAMEPLATE	1
226	H061	NUT SWIVEL GARDENHOS	1
227	H068	SWIVEL 3/8 MALE	1
228	A19985	SOCKET QUIK CONNECT	2
229	F187	SCREEN GARDEN HOSE 3	1
232	A06113	SCREW	4
233	15294	KEY	1
234	H140	HOSE ASSY CHEMICAL	1
235	NCT001	TOOL NOZZLE CLEANING	1
236	D30374	NOZZLE HOLDER RUBBER	1
238	F039	PLUG QUICK CONNECT F	1
240	A15412	SCREW	4
241	A14647	PLATE	1
249	15892	PLATE ADAPTER CAT 2X	1

Parts List for DP3100 Type 2

Item Number	Part Number	Description	Qty Required
250	90509698	SIDE HANDLE	1
251	90510816	NAMEPLATE	1
252	90510282	WARNING LABEL	1
253	90510283	WARNING LABEL	1
254	A09007-R	PUMP	1
254	A09007	PUMP ASSY.	1
255	A11347	SCREW .313-24X.750	4
256	A11317	SHROUD REAR	1
257	A11316	SHROUD	1
258	A11956	SCREW	4
259	A13894	ID LABEL	2
260	D29132	SCREW	4
303	5140043-80	STEM	1
304	P776	WASHER CAT 46250	1
305	5140043-81	VALVE RETAINER	1
306	5140043-82	SEAT	1
307	5140043-83	VALVE	1
327	5140043-74	CAP	1
328	5140043-76	COIL SPRING	1
329	5140030-02	SPRING RETAINER	1
330	5140043-75	LOCK NUT	1
331	5140043-77	RETAINER	1
332	5140043-78	O-RING	2
333	5140043-79	PISTON ASSY.	1
337	P599	ORING CAT 13963	2
338	V148	VALVE SEAT CAT 46254	1
339	5140030-04	CHECK VALVE	1

Parts List for DP3100 Type 2

Item Number	Part Number	Description	Qty Required
340	V171	SPRING FLOW BALANCE	1
347	5140043-85	CHEMICAL INJ ASSY CA	1
401	285800-01	GASKET	1
402	285800-02	ELEMENT	1
403	285800-03	FILTER	1
404	285800-04	COVER	1
405	285800-05	GROMMET	1
406	285800-06	COLLAR	2
407	285800-07	COLLAR	1
408	285800-08	ELBOW	1
409	285800-46	NUT	2
411	285800-11	WING NUT	2
412	285807-21	NOSE	1
413	285800-13	BOLT	1
414	285807-22	CAMSHAFT	1
415	285800-15	PUSH ROD	2
416	285800-16	ARM	2
417	285807-23	LIFTER	2
418	285800-18	PIVOT	2
419	285800-19	SPRING	1
420	285800-20	VALVE	1
421	285800-21	VALVE	1
422	285800-22	SPRING	2
423	285800-23	RETAINER	1
424	285800-24	RETAINER	1
425	285800-25	ROTATOR VALVE	1
426	285800-26	PLATE	1

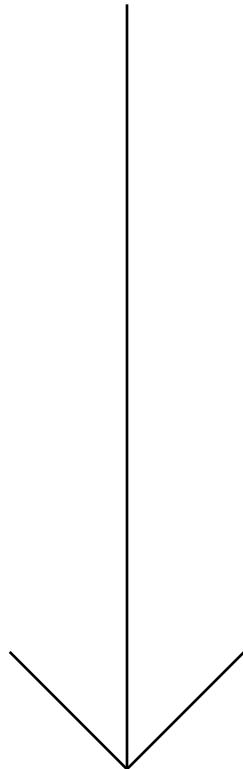
Parts List for DP3100 Type 2

Item Number	Part Number	Description	Qty Required
427	285800-27	BOLT	2
428	285800-28	NUT	2
429	285800-29	CONTROL ASSY	1
430	285807-27	ARM	1
431	285800-31	ROD	1
432	285807-28	SPRING	1
433	285800-33	SPRING	1
434	285800-34	LEVER	1
435	285800-35	SPRING	1
436	285800-36	WASHER	1
437	285800-37	HOLDER	1
438	285805-67	SPACER	1
439	285800-39	SPRING	1
440	285800-40	SPRING	1
441	285800-41	BOLT	2
442	285800-42	BOLT	1
443	285800-43	NUT	1
444	285800-44	SCREW	1
445	285802-21	SCREW	1
446	285800-46	NUT	1
447	285800-47	GASKET SET	1
448	285800-48	VALVE SET	1
449	285800-49	FLOAT SET	1
450	285800-50	CHAMBER SET	1
451	285800-51	SET SCREW	1
452	285800-52	SET SCREW	1
453	285800-53	SET SCREW	1

Parts List for DP3100 Type 2

Item Number	Part Number	Description	Qty Required
454	285800-54	CHOKE SET	1
455	285807-24	CARBURETOR	1
456	285800-56	SCREW	1
457	285807-25	NOZZLE	1
458	285800-58	O-RING	1
459	285807-26	INSULATOR	1
460	285800-60	GASKET	1
461	285800-61	SPACER	1
462	285800-62	GASKET	1
463	285800-63	LEVER	1

CONTINUED ON NEXT PAGE



Parts List for DP3100 Type 2

Item Number	Part Number	Description	Qty Required
464	285800-64	LEVER	1
465	285800-65	PLATE	1
466	285800-66	SPRING	1
467	285800-67	GASKET	1
468	285800-68	CUP	1
469	285800-69	SCREW	1
470	285800-70	PIN	1
471	285800-72	JET	1
471	285806-39	MAIN JET	1
471	285806-40	MAIN JET	1
472	285804-58	JET	1
473	285800-74	COVER ASSY.	1
474	285807-30	GASKET	1
475	285800-76	CAP ASSY.	1
476	285800-77	CAP ASSY.	1
477	285800-78	GASKET	1
478	285800-79	SEAL	1
479	285800-80	PIN	1
480	285800-81	BOLT	1
481	285800-82	BALL BEARING	1
482	285807-31	CRANKSHAFT	1
483	285800-84	KEY	1
484	285807-34	CYLINDER HEAD	1
488	285807-35	GASKET	1
489	285800-90	COVER	1
490	285800-91	GASKET	1
491	285800-92	TUBE	1

Parts List for DP3100 Type 2

Item Number	Part Number	Description	Qty Required
492	285800-41	BOLT	1
493	285800-94	BOLT	1
494	285800-95	BOLT	1
496	285800-96	PIN	1
496	285800-97	BOLT	1
497	285800-98	SPARK PLUG	1
498	A13751	ENGINE	1
499	285801-00	SWITCH ASSY.	1
500	285807-33	GOVERNOR ASSY.	1
501	285801-02	SLIDER	1
502	285801-03	SHAFT	1
503	285801-04	DRAIN PLUG	2
504	285801-05	WASHER	1
505	285801-06	WASHER	1
506	285801-07	CLIP	1
507	285801-08	BALL BEARING	1
508	285800-79	SEAL	1
509	285801-10	O-RING	1
510	285801-11	NUT	1
511	285801-12	WASHER	2
512	285801-13	LOCK PIN	1
513	285801-14	BOLT	2
515	285807-36	COVER	1
516	285801-16	PLATE	1
517	285801-17	CLIP	1
518	285801-18	SHROUD	1
519	285801-19	SWITCH ASSY.	1

Parts List for DP3100 Type 2

Item Number	Part Number	Description	Qty Required
520	285800-41	BOLT	1
521	285801-21	BOLT	1
522	285801-22	OIL ALERT UNIT	1
523	285801-23	BOLT	1
524	285801-24	KEY	1
525	285801-25	FAN	1
527	285807-38	FLYWHEEL	1
528	285801-28	NUT	1
529	285807-40	IGNITION COIL	1
530	285801-30	CAPACITOR ASSY	1
531	285801-31	WIRE	1
532	285801-32	BOLT	2
533	285801-33	RUBBER TUBE	1
534	285801-34	JOINT	1
535	285801-35	TANK	1
536	285807-03	FUEL CAP	1
537	285807-04	GASKET	1
538	285801-10	O-RING	1
539	285800-46	NUT	2
540	285801-40	HOSE	1
541	285801-41	CLIP	2
542	285807-39	BOLT	1
543	285806-79	STARTER ASSY.	1
544	285801-44	REEL	1
545	285801-45	RATCHET	2
546	285801-46	GUIDE	1
547	285801-47	SPRING	1

Parts List for DP3100 Type 2

Item Number	Part Number	Description	Qty Required
548	285801-48	SPRING	1
549	285801-49	SPRING	2
550	285801-50	KNOB	1
551	285801-51	ROPE	1
551	285805-10	ROPE	1
552	285801-52	SCREW	1
553	285807-29	BOLT	3
554	285806-58	RING SET	1
554	285806-59	RING SET	1
554	285806-60	RING SET	1
554	285806-61	RING SET	1
555	285807-45	PISTON	1
555	285807-48	PISTON	1
555	285807-49	PISTON	1
556	285801-62	PIN	1
557	285801-63	CON ROD ASSY	1
557	285801-64	CON ROD ASSY	1
558	285801-65	BOLT	2
559	285801-66	CLIP	1
560	285807-32	SPACER	1
567	285807-42	MUFFLER	1
568	285807-44	PROTECTOR	1
569	285807-46	SCREEN	1
570	285801-70	GASKET	1
571	285801-71	SCREW	4
572	285807-47	SCREW	1
573	285801-73	NUT	2

Parts List for DP3100 Type 2

Item Number	Part Number	Description	Qty Required
574	285807-41	EMBLEM	1
575	285801-75	LABEL	1
576	285801-76	LABEL	1
578	285801-78	LABEL	1
580	285806-76	SEAL	1
581	285807-37	STARTER PULLEY	1
582	285807-43	MUFFLER STAY	1
583	285800-93	BOLT	1
584	285801-14	BOLT	1