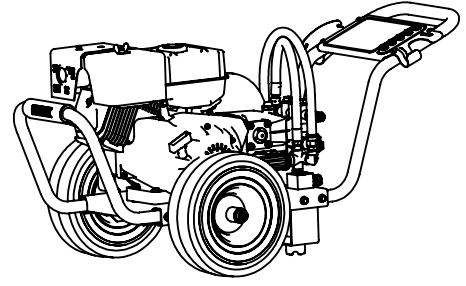


ITEM	PART NO.	DESCRIPTION	QTY
1	7105661	FRAME, ASSY FLAT BLACK	1
2	7105666	SUBFRAME, FLAT BLACK	1
3	7104580	BRACKET, LEG, FLAT BLACK	1
4	7103593	REAR HANDLE ASSY, DH4240B	1
4.1	7103382	REAR HANDLE	1
4.2	7103270	PLATE, DASHBOARD 13.25"	1
4.3	7103161	HOLDER, RUBBER, 5 NOZZLE	1
4.4		SCREW, 1/4-20 TORX PANHEAD	4
4.5		NUT LOCK 5/16-18 REG NYLOCK	4
4.6		WASHER, 5/16 x 7/8 x .09	4
4.7		BOLT, FLANGE 5/16-18 X 2.00IN	4
5	7103592	FRONT HANDLE ASSY.	1
5.1	7103381	FRONT HANDLE, (BLACK)	1
5.2		BOLT, FLANGE 5/16-18 X 2.00IN	4
5.3	7100706	NUT LOCK 5/16-18 REG NYLOCK	4
5.4	7101374	WASHER, 5/16 x 7/8 x .09	4
6	7103560	ENGINE, HONDA GX390 WITH LABELS	1
7	7103089	KEY M6SQ X 25MM	2
8	7105668	PUMP HAT, FLAT BLACK	1
8.1		BOLT, 5 / 16" - 18 x 1"	4
8.2		WASHER FLAT 5/16 X .7 OD PLTD	4
8.3		NUT LOCK 5/16-18 REG NYLOCK	4
9	7106033	PUMP, SVC ASSY	1
9.1	7105611	PUMP, 5CP3120CSS	1
9.2	7105682	INLET FITTING, 3/4 GHT X 1/2 NPT	1
9.3	7100603	NIPPLE, 1/2 BRASS	1
9.4	7101263	TEE 1/2 BRASS (F)(F)(F)	1
9.5	7101331	THERMAL RELIEF VALVE 1/2 NPT(M)	1
9.6	7102405	ADAPTER 1/2NPT(M) X 5/8-45°	1
9.7	7102578	VALVE, PRESSURE RELIEF	1
9.8	7100287	ELBOW	1
9.9		BOLT, M8	4
9.10		WASHER, STAR	4
10	7106044	UNLOADER, SVC ASSY CAT PUMP	1
10.1	7101311	UNLOADER, RETROFIT PULSAR	1
10.2	7105680	UNLOADER MOUNT	1
10.3	7100621	NIPPLE	1
10.4	7101082	COUPLER	1
10.5	7100287	ELBOW	1
10.6	7200032	NIPPLE	1
10.7	7102470	PLUG, 3/8" NPT(M)	1
10.8		BOLT, 3/8-24	2
10.9		FLAT WASHER	2
10.10		NUT, LOCK 3/8-24	2
11	7106046	BELT GUARD ASSEMBLY	1
11.1	7105672	BACK, BELT GUARD, FLAT BLACK	1
11.2	7105673	FRONT, BELT GUARD, FLAT BLACK	1
11.3	7104582	BRACKET, BELT GUARD, FLAT BLACK	1
11.4	7101115	RIVET, ALUMINUM	3
11.5	7101376	WASHER, SPLIT-LOCK 1/4IN	1
11.6	7100702	INSERT, 1/4" - 20 NUT	1
11.8	7100389	GROMMET, 7/16" RUBBER	2
11.9	7101166	SPACER BACK	2
11.10		BOLT, 5 / 16" - 18 x 1 1 / 4"	2

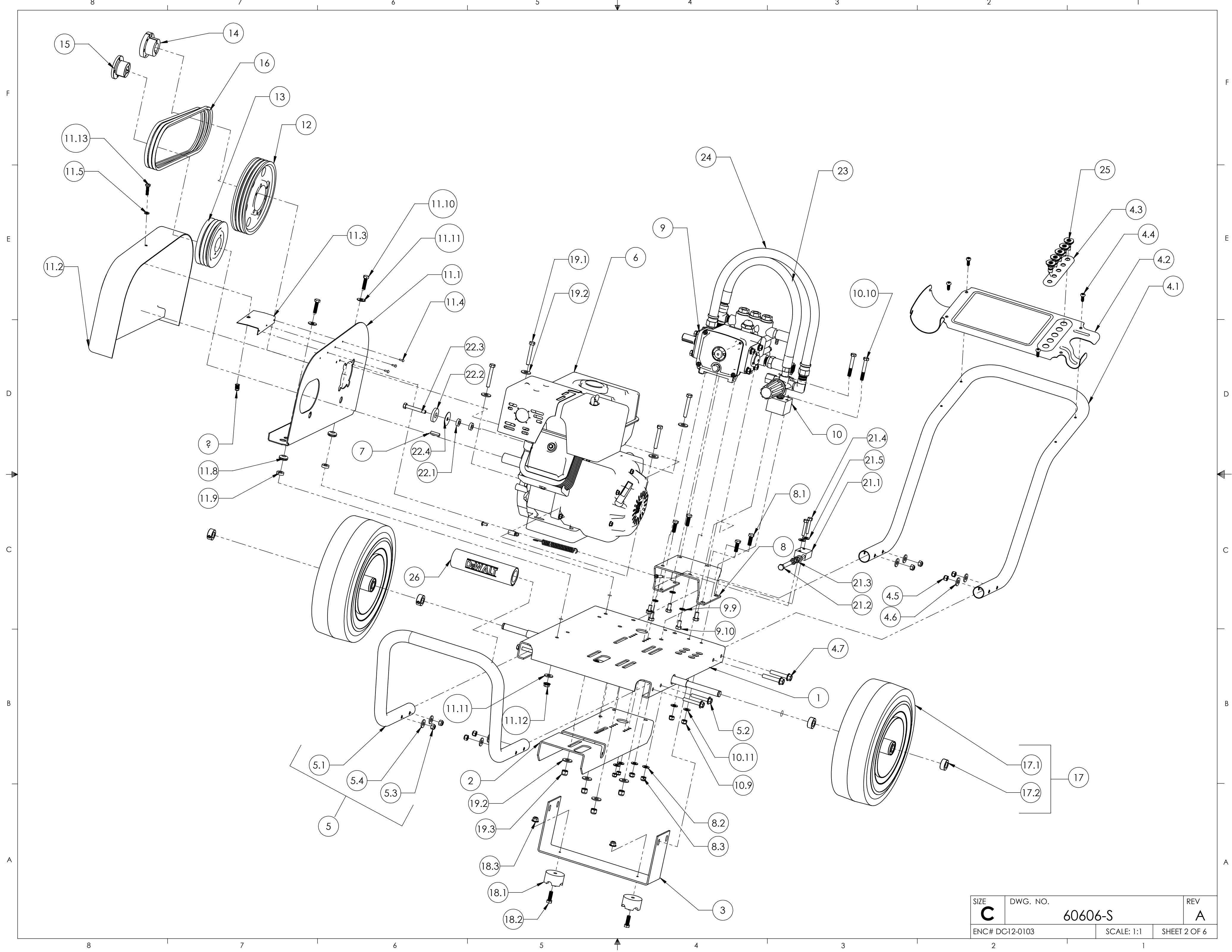
ITEM	PART NO.	DESCRIPTION	QTY
11.11		WASHER, 5/16	4
11.12		NUT, LOCK 5/16-18	2
11.13		BOLT 5/16-24	1
12	7105674	PULLEY, 8.0, 3 GROVE	1
13	7105675	PULLEY, 4.12, 3 GROVE	1
14	7105676	BUSHING	1
15	7105677	BUSHING	1
16	7101998	BELT	3
17	7103287	WHEEL KIT	2
17.1	7101416	WHEEL, 13.0 BLACK	1
17.2	7101483	COLLAR, LOCKING 5/8I.D.	2
18	7103600	FOOT KIT, RUBBER FOOT & HARDWARE	2
18.1	7100363	FOOT, RUBBER 2.00IN OD X 1.125IN	1
18.2		BOLT, 5/16-18	1
18.3		WASHER FLAT 5/16	1
18.4		NUT LOCK 5/16-18 REG NYLOCK	1
18.5		WASHER 3/8 x 1.00 OD	1
19	7103594	HARDWARE KIT, ENGINE MOUNT	1
19.1		BOLT, 3/8-24	4
19.2		WASHER, 3/8	8
19.3		NUT, LOCK, 3/8-24	4
20	7106051	HARDWARE KIT, PUMP MOUNTING	1
20.1		BOLT, M8 X1.25	4
20.2		WASHER, STAR 5/16	4
21	7103596	BLOCK KIT, ENGINE ADJUSTING	1
21.1	7100101	BLOCK, ENGINE ADJUSTING	1
21.2		BOLT, 3/8-16	1
21.3		NUT, 3/8-16	2
21.4		BOLT, 1/4-28	2
21.5		WASHER, 1/4	4
21.6		NUT, 1/4-28	2
22	7103599	BELT GUARD TENSION KIT	1
22.1	7101166	SPACER	2
22.2	7101373	WASHER, RUBBER BUMPER	1
22.3		BOLT, 5/16-24	1
22.4		WASHER, 5/16	1
23	7100433	HOSE, CRIMP	1
24	7104725	HOSE, PARKER PUSH-LOK	1
25	7101683	NOZZLE SET, 5 PC. 4.0	1
26	7104166	HANDLE, GRIP, VINYL COVER, YELLOW	1
27	7104848	GUN, 5075PSI, 3/8QC(M), M22(F)	1
28	7103261	LANCE, 31IN M22(M), 1/4 QC(F)	1
29	7103642	HOSE, 3/8 X 4500PSI X 50FT, 3/8 QC	1
30	7102037	SOAP HOSE AND FILTER KIT	1
31	7102045	TOOL, NOZZLE CLEANING, UNIVERSAL	1
32	7104927	MANUAL, OPERATORS, 60606 SPECIFIC	1
33	7103372	BOX, SHIPPING, DH4240B SPECIFIC	1

† NOT SOLD SEPARATELY  
\* NOT SHOWN

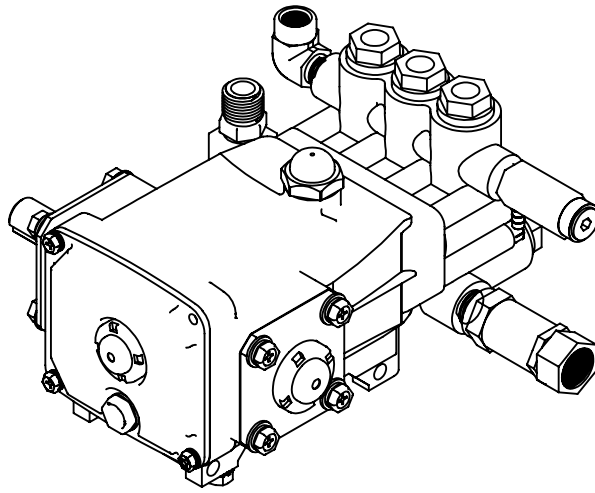
PUMP IDENTIFICATION TABLE			
MACHINE SERIAL NO.	PUMP MODEL	PUMP PART NO.	PUMP KIT
369752 TO PRESENT	5CP3120CSS	7105611	7106033



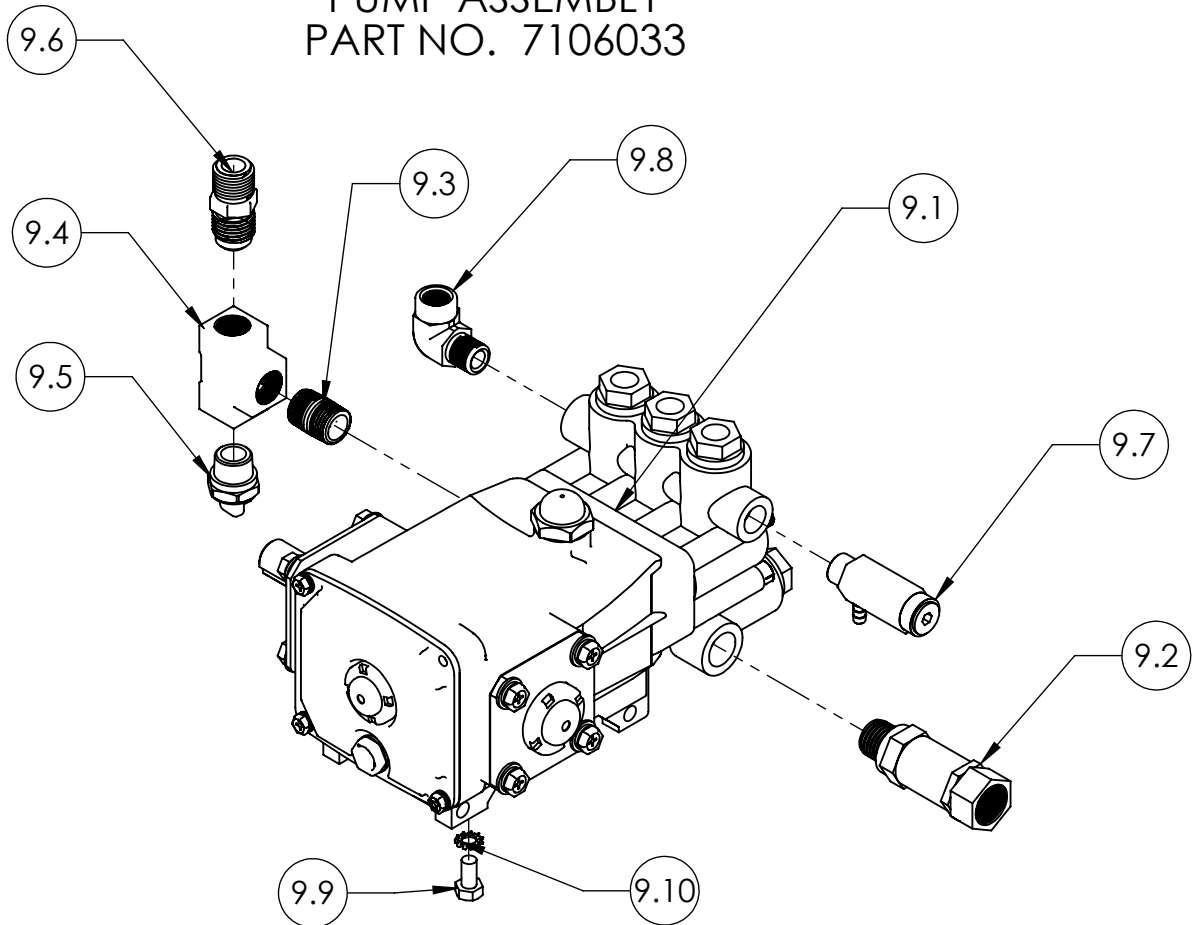
NAME	DATE	<b>FNA-GROUP</b> 1265 INDUSTRIAL STREET, DECATUR, AR 72722 TITLE: <h1 style="text-align: center;">DXPW60606</h1>
DRAWN	MAV 9/14/2012	
CHECKED	M.G. 9/27/2012	
ENG APPR.	S.W. 9/14/2012	
MFG APPR.	-	
Q.A. APPR.	JCP 9/27/2012	
SERVICE APPR.	D.H. 9/26/2012	
<b>PROPRIETARY AND CONFIDENTIAL</b>		
<small>THE INFORMATION CONTAINED IN THIS DRAWING IS THE SOLE PROPERTY OF FNA-GROUP. ANY REPRODUCTION IN PART OR AS A WHOLE WITHOUT THE WRITTEN PERMISSION OF FNA-GROUP IS PROHIBITED.</small>		
SIZE	DWG. NO.	REV.
<b>A</b>	<b>60606-S</b>	<b>A</b>
SCALE:	N/A	ECN# DC12-0103 SHEET 1 OF 5



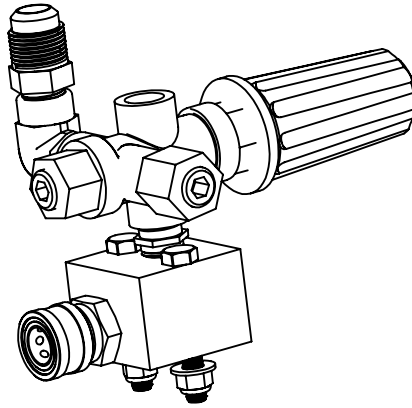
SIZE <b>C</b>	DWG. NO. <b>60606-S</b>	REV <b>A</b>
ENC# DC12-0103	SCALE: 1:1	SHEET 2 OF 6



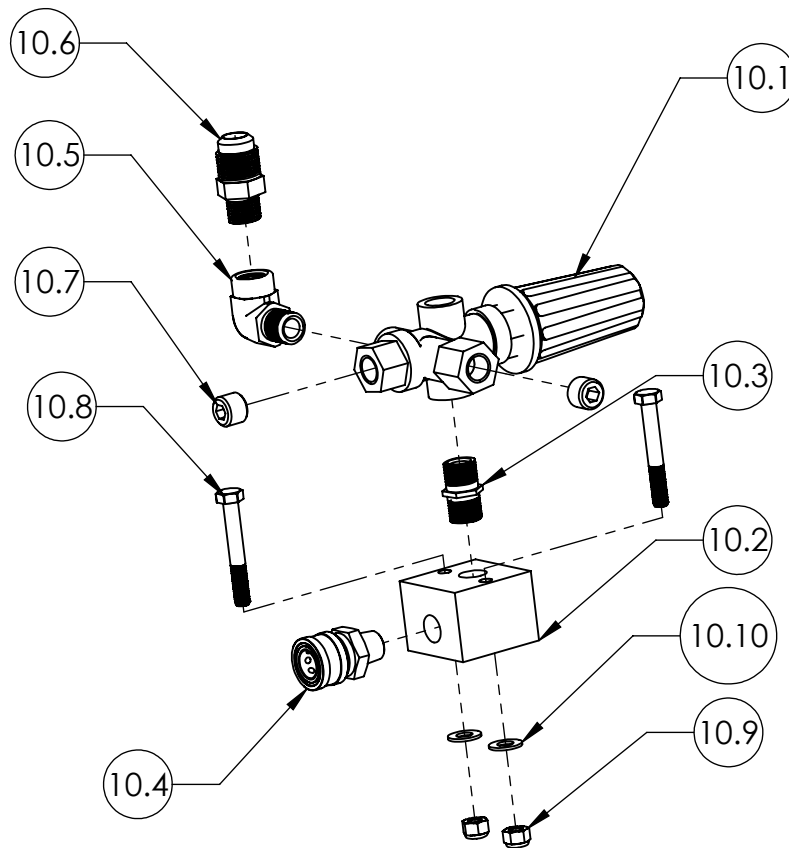
PUMP ASSEMBLY  
PART NO. 7106033



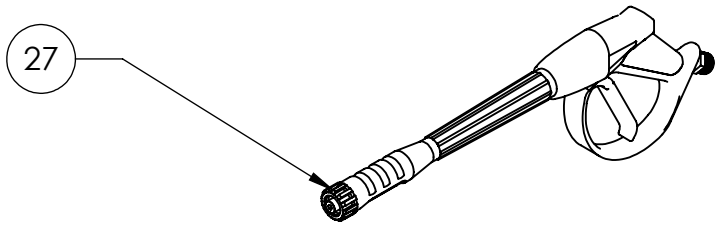
ITEM	PART NO.	DESCRIPTION	QTY
9	7106033	PUMP, SERVICE ASSEMBLY	1
9.1	7105611	PUMP 5CP3120CSS	1
9.2	7105682	INLET FITTING	1
9.3	7100603	NIPPLE	1
9.4	7101263	TEE 1/2" BRASS (F)(F)(F)	1
9.5	7101331	THERMAL RELIEF VALVE	1
9.6	7102405	ADAPTER 1/2'	1
9.7	7102578	VALVE, PRESSURE RELIEF	1
9.8	7100287	ELBOW	1
9.9		BOLT	4
9.10		WASHER, STAR	4



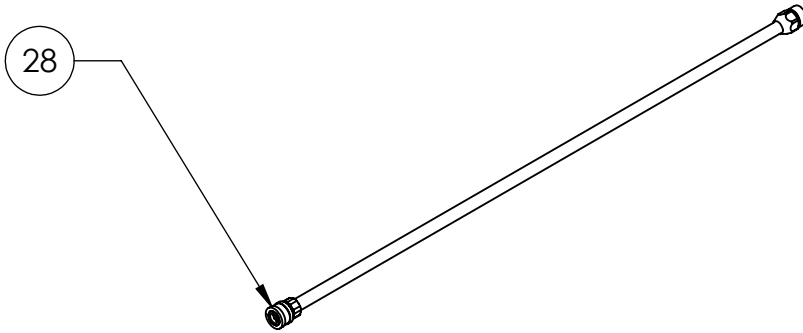
UNLOADER ASSEMBLY  
PART NO. 7106044



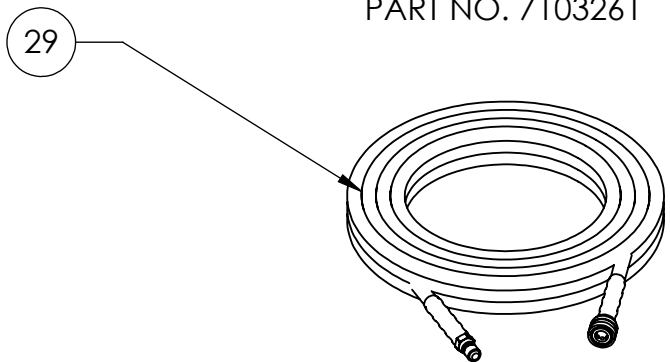
ITEM	PART NO.	DESCRIPTION	QTY
10	7106044	UNLOADER, SVC ASSEMBLY	1
10.1	7101311	UNLOADER RETOFIT PULSAR	1
10.2	7105680	UNLOADER MOUNT	1
10.3	7100621	NIPPLE	1
10.4	7101082	COUPLER	1
10.5	7100287	ELBOW	1
10.6	7200032	NIPPLE	1
10.7	7102470	PLUG, 3/8" NPT(M)	2
10.8		BOLT	2
10.9		FLAT WASHER	2
10.10		NUTLOCK	2



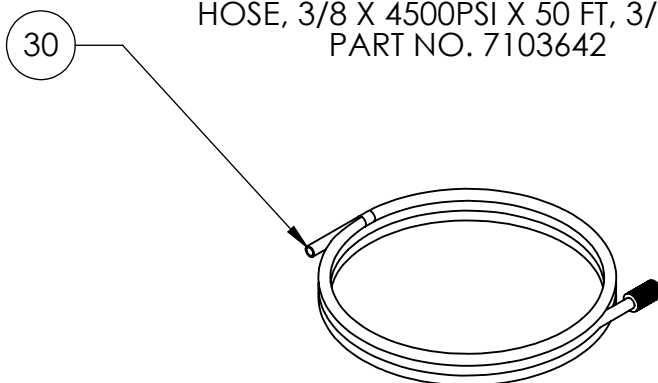
GUN, 5075PSI, 3/8QC(M) INLET, M22(F) OUTLET  
PART NO. 7104848



LANCE, 31IN M22(M) INLET, 1/4 QC(F) OUTLET  
PART NO. 7103261



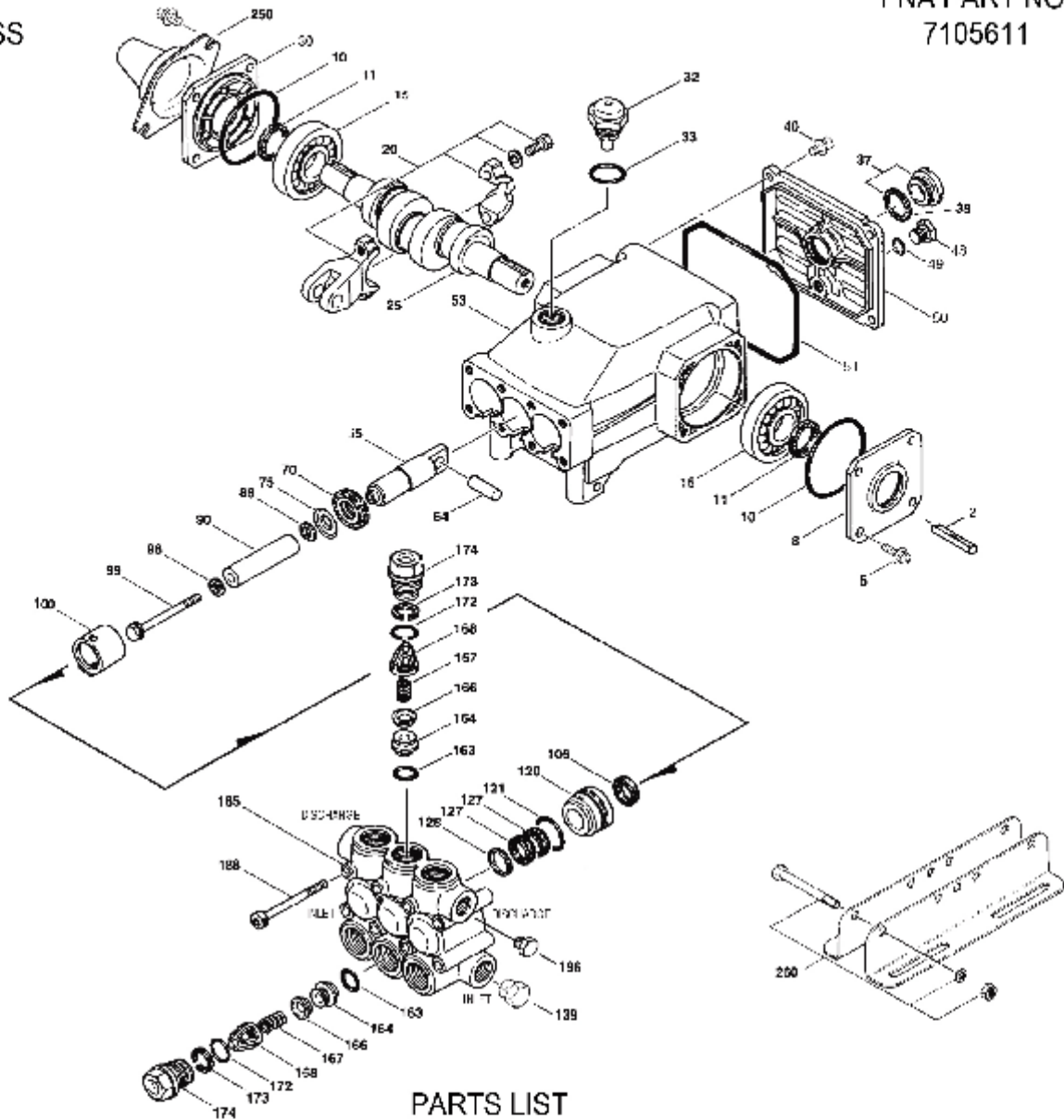
HOSE, 3/8 X 4500PSI X 50 FT, 3/8 QC  
PART NO. 7103642



SOAP HOSE AND FILTER ASSEMBLY  
PART NO. 7102037

MODEL  
5CP3120CSS

FNA PART NO.  
7105611



PARTS LIST

ITEM	PART NO.	DESCRIPTION	QTY	ITEM	PART NO.	DESCRIPTION	QTY
2	7103089	KEY (M6 X 6 X 25)	1	100	7101704	RETAINER, SEAL	3
5	7105999	SCREW, HHC SEMS, (M8 X 16)	3	106	N/A	SEAL, LPS WITH S-Spg	3
8	7106000	COVER, BEARING	1	120	7106010	CASE, SEAL	3
10	7106001	O-RING, BEARING COVER - 70D	1	121	N/A	O-RING, SEAL CASE - /UID	3
11	7102772	SEAL, OIL	1	127	N/A	V-PACKING	6
15	7102620	BEARING, BALL	2	128	N/A	ADAPTER, MALE	3
20	7106002	ROD, CONNECTING ASSY	3	139	7106012	PLUG, INLET, (1/2" NPTM)	1
25	7106003	CRANKSHAFT	1	163	N/A	O-RING, SEAT	6
32	7102922	CAP, OIL FILLER, DOMED	1	164	N/A	SEAT	6
33	7102617	O-RING, OIL FILLER CAP	1	166	N/A	VALVE	6
40	7103054	SCREW, HHC, SEMS (M6 S 16)	4	167	N/A	SPRING	6
48	7103117	PLUG, DRAIN	1	168	7100862	RETAINER, SPRING	6
49	7106005	O-RING, DRAIN PLUG	1	172	N/A	O-RING, VALVE PLUG	6
50	7106006	REAR, COVER	1	173	N/A	BACK-UP RING, VALVE PLUG	6
51	7102615	O-RING, REAR COVER	1	174	7103043	PLUG, VALVE (M20 X 15)	6
53	7106007	CRANKCASE	1	185	7102802	MANIFOLD, HEAD	1
64	7106008	PIN, CROSSHEAD	3	188	7106016	SCREW, HSH (M8 X 70)	8
65	7106009	ROD, PLUNGER	3	196	7106017	PLUG, DISCHARGE (3/8" NPTM)	1
70	7101701	SEAL, OIL, CRANKCASE 70D	3	255	7105616	MOUNT, DIRECT	1
75	7101702	SLINGER, BARRIER	3	260	7105613	MOUNT, RAIL, ASSY	1
88	7102848	WASHER, KEYHOLE (M18 X 10)	3	299	7106019	HEAD COMPLETE	1
90	7106010	PLUNGER, (M16 X 510)	3	300	7100887	KIT, SEAL (98, ,106, 121, 127, 128)	1
98	N/A	WASHER, SEAL	3	310	7103121	KIT, VALVE (163-164, 166-168, 172, 173)	2
59	7101705	RETAINER, PLUNGER W/STUD (M6)	3	330	7106020	PLIERS, REVERSE	1

N/A - NOT SOLD SEPARATELY

FNA GROUP

REV B

ECN# DC12-0099