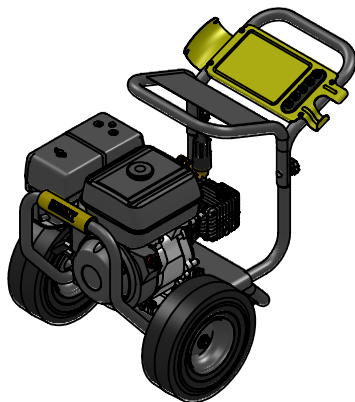


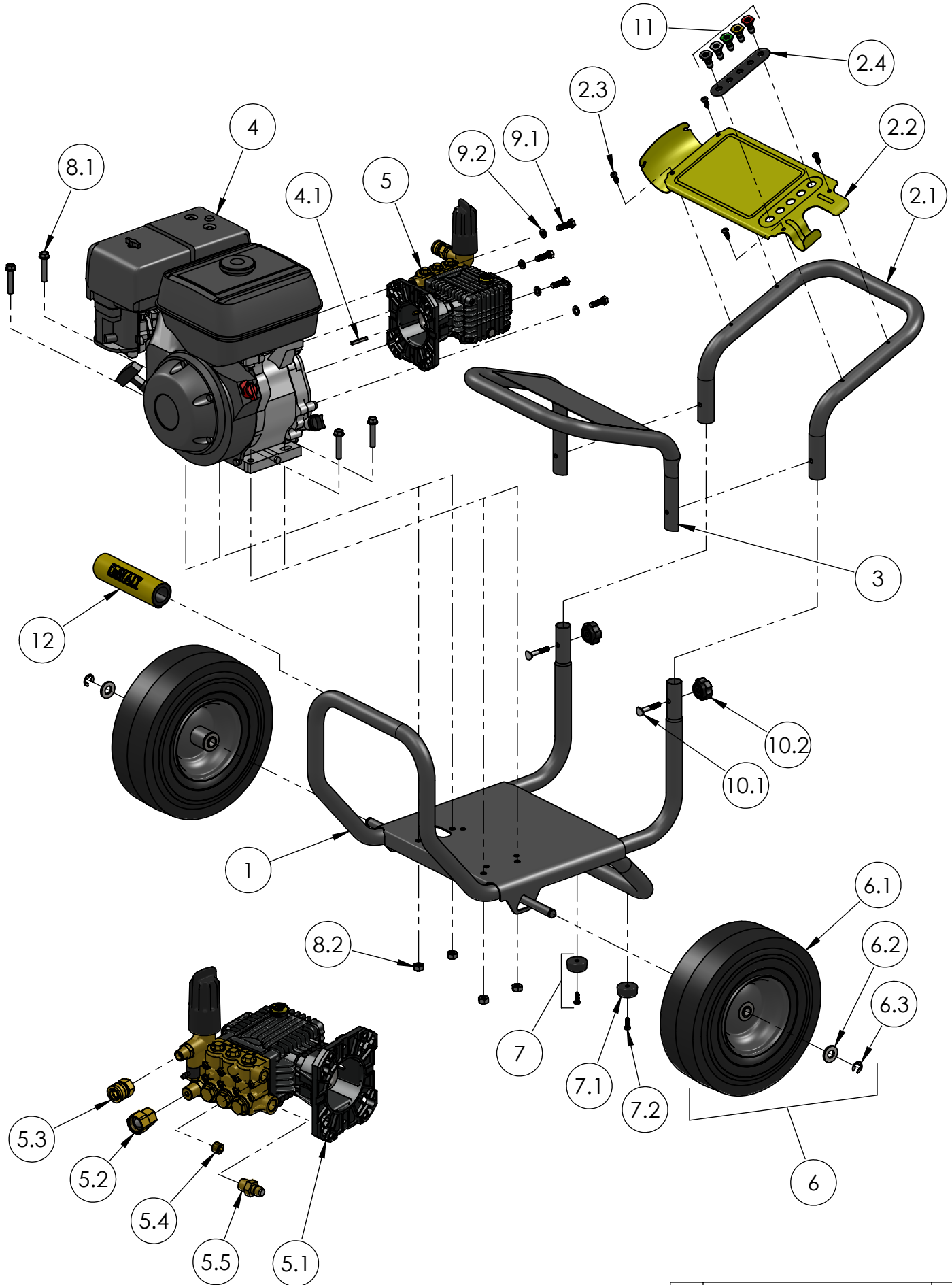
ITEM	PART NO.	DESCRIPTION	QTY.
1	7105372	FRAME, FLAT BLACK ASSEMBLY WITH LABELS	1
2	7105373	HANDLE, REAR ASSEMBLY WITH LABELS	1
2.1	7104807	TUBE, REAR HANDLE FLAT BLACK	1
2.2	7104837	PLATE, DASHBOARD YELLOW	1
2.3	7103264	SCREW, 1/4-20 X 0.75 TORX PAN HEAD	4
2.4	7103161	HOLDER, NOZZLE 5PC RUBBER	1
3	7105374	HANDLE, QUICK START WITH LABELS	1
4	7104637	ENGINE, HONDA GX270 WITH SHAFT KEY AND LABELS	1
4.1	7105453	SHAFT KEY, SQUARE 1/4 X 1/4 X 1-1/2	1
† 5	7103880	PUMP KIT, TC1310GUI8A WITH FITTINGS, PLUG AND TRV	1
5.1	7103894	PUMP, TC1310GUI8A 60 SERIES GENERAL PUMP	1
5.2	7100495	ADAPTER, INLET GHT(F) X 1/2 NPT(F)	1
5.3	7100019	COUPLER, OUTLET 3/8 QC(F) x 3/8 NPT(F)	1
5.4	7101331	THERMAL RELIEF VALVE 1/2IN NPT-M	1
5.5		PLUG, 3/8 NPT(M)	1
6	7105376	WHEEL KIT, 13.0 BLACK WITH WASHER AND E-CLIP	2
6.1		WHEEL 13.0 x 5.0-6 BLACK	1
6.2		WASHER, 5/8 SAE FLAT	1
6.3		CLIP, E-TYPE 5/8 X 0.042 ZINC/CLEAR	1
7	7103292	FOOT KIT, RUBBER FOOT & SCREW	2
7.1		RUBBER FOOT, 1.50IN X 0.625IN	1
7.2		SCREW, 1/4-20 X 0.75 TORX PAN HEAD	1
8	7103277	HARDWARE KIT, ENGINE MOUNTING	1
8.1		BOLT, 3/8-16 X 2.00 SERRATED FLANGE	4
8.2		NUT, 3/8-16 SERRATED FLANGE	4
9	7103279	HARDWARE KIT, PUMP MOUNTING	1
9.1		BOLT, 3/8-16 X 1.25 HHCS GR5	4
9.2		WASHER, 3/8 SPLIT LOCK	4
10	7104570	HARDWARE KIT, HANDLE MOUNTING	2
10.1		BOLT, SADDLE 5/16-18 x 2.00	1
10.2		NUT, HAND TIGHT 5/16-18	1
11	7100634	NOZZLE SET, 3.5 X 1/4 QC(M) 5 PIECE	1
12	7104641	HANDLE GRIP, VINYL COVER YELLOW	1
13	7103240	GUN & WAND 5075PSI, 3/8 QC(M)IN X M22(F) OUT	1
14	7103261	LANCE, 31IN X 1/4 QC(F) X M22(M)	1
15	7104844	HOSE, 3/8 X 50FT X 4500PSI 3/8QC	1
16	7102207	SOAP HOSE AND FILTER KIT	1
* 17	7102045	TOOL, NOZZLE CLEANING, UNIVERSAL	1
* 18	7104830	MANUAL, OPERATOR'S 60576 DXPW3835	1
* 19	7104829	BOX, SHIPPING 60576 DXPW3835	1

* NOT SHOWN

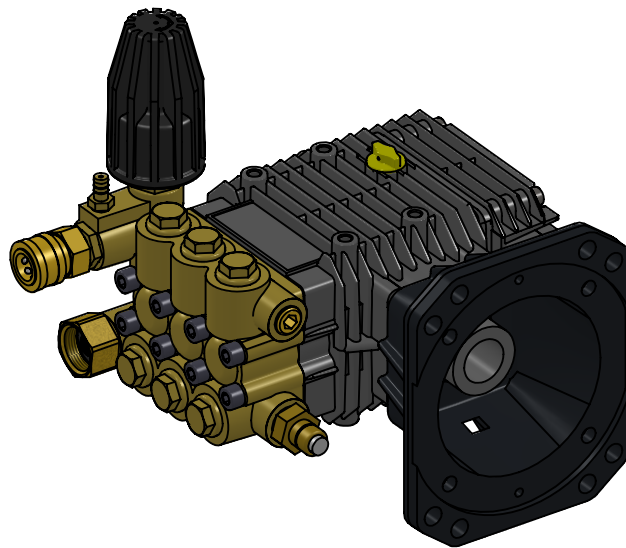
PUMP IDENTIFICATION TABLE			
MACHINE SERIAL #	PUMP MODEL	PUMP PART NO.	PUMP KIT NO.
130197 THROUGH 134613	TC1310GUI8A	7103894	7103880
134614 THROUGH PRESENT	8.3GA15C	7104858	7105378



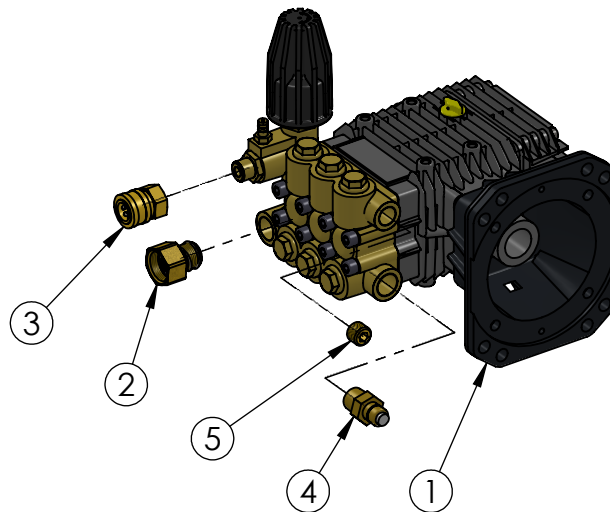
FNA-GROUP			1265 INDUSTRIAL STREET, DECATUR, AR 72722	
DRAWN			TITLE:	
CHECKED			DXPW3835	
ENG APPR.				
MFG APPR.				
Q.A. APPR.				
SERVICE APPR.				
PROPRIETARY AND CONFIDENTIAL THE INFORMATION CONTAINED IN THIS DRAWING IS THE SOLE PROPERTY OF FNA-GROUP. ANY REPRODUCTION IN PART OR AS A WHOLE WITHOUT THE WRITTEN PERMISSION OF FNA-GROUP IS PROHIBITED.			SIZE A DWG. NO. 60576-S REV. A	
SCALE: N/A			ECN# DC12-0008	SHEET 1 OF 8



SIZE	DWG. NO.	REV.
A	60576-S	A
SCALE: N/A	ECN# DC12-0008	SHEET 2 OF 8



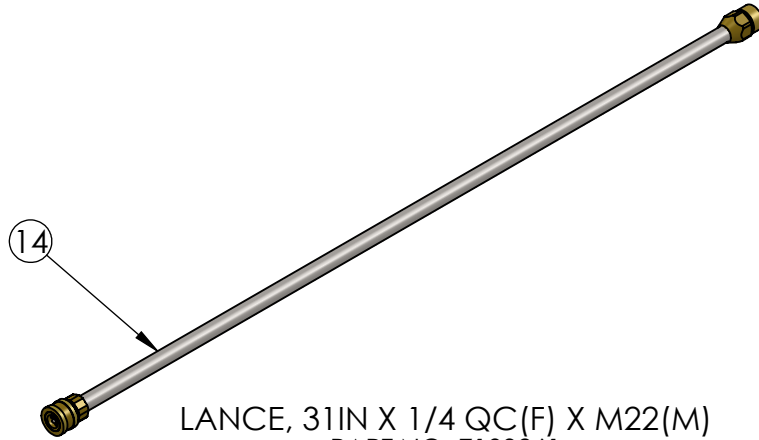
PUMP, 8.3GA15C SERVICE KIT
PART NO. 7105377



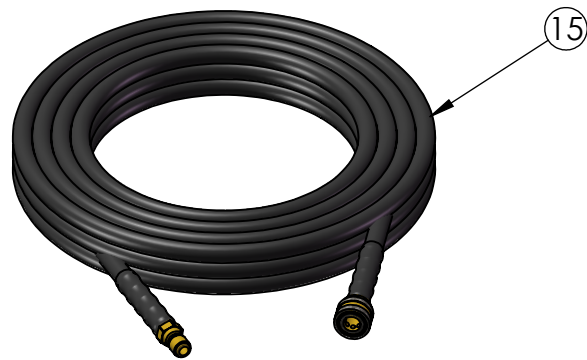
ITEM	PART NO.	DESCRIPTION	QTY.
1	7104858	PUMP, 8.3GA15C	1
2	7100051	INLET ADAPTER, GARDEN-F TO .500 NPT-M	1
3	7100019	COUPLER, OUTLET 3/8 QC(F) x 3/8 NPT(F)	1
4	7101331	THERMAL RELIEF VALVE 1/2IN NPT-M	1
5		PLUG, 3/8 NPT(M)	1



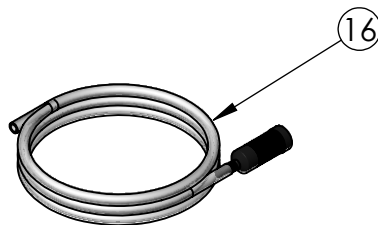
GUN & WAND 5075PSI, 3/8 QC(M)IN X M22(F) OUT
PART NO. 7103240



LANCE, 31IN X 1/4 QC(F) X M22(M)
PART NO. 7103261

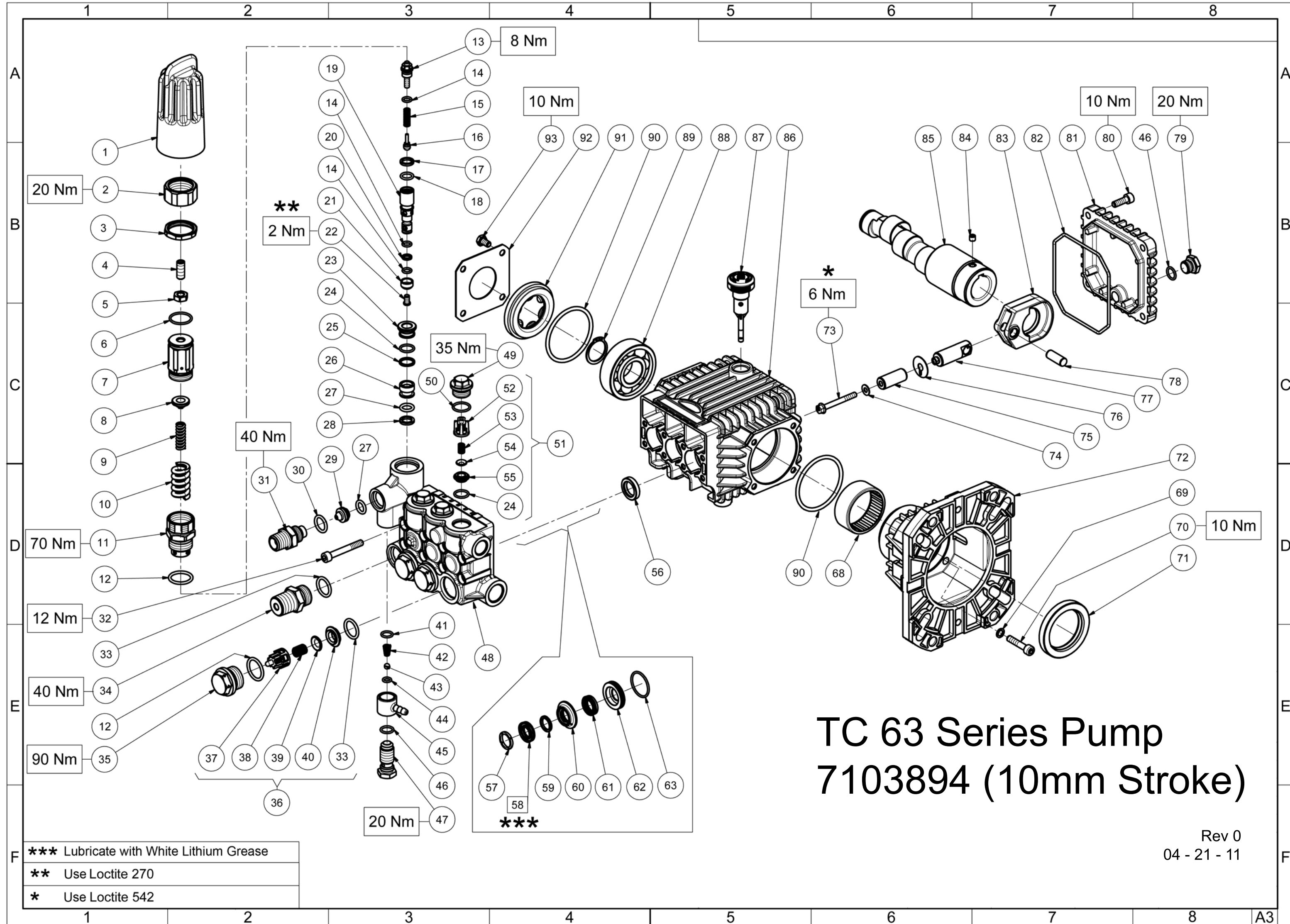


HOSE, 3/8" X 50' X 4500PSI 3/8QC
PART NO. 7104844



SOAP HOSE AND FILTER KIT
PART NO. 7102207

SIZE A	DWG. NO. 60576-S	REV. A
SCALE: N/A	ECN#	DC12-0008
SHEET 4 OF 8		



TC 63 Series Pump 7103894 (10mm Stroke)

- *** Lubricate with White Lithium Grease
- ** Use Loctite 270
- * Use Loctite 542

Rev 0
04 - 21 - 11

7103894 - TC 63 Series Pump Parts List			
Pos.	FNA Item #	Description	QTY
1	7104647	Knob, Black	1
2	N / A	Unloader Nut	1
3	N / A	Nut, M28 x 1.5 x 53 x 5	1
4	7104648	Screw, M8 x 20	1
5	7104649	Nut, M8 x 1.25 x 5 x 13	1
6	N / A	O-Ring, 20.35Ø x 1.78	1
7	N / A	Pressure Set Screw	1
8	N / A	Spring Plate	1
9	N / A	Spring, 7.6Ø x 29	1
10	N / A	Spring, 15Ø x 35	1
11	N / A	Guide Bushing, Nickel	1
12	N / A	O-Ring, 20.24Ø x 2.62	4
13	N / A	Stroke Stopper	1
14	N / A	O-Ring, 6.75Ø x 1.78	3
15	N / A	Spring, 6.1Ø x 19	1
16	N / A	Shutter	1
17	N / A	Anti-Extraction Ring, 10.6Ø x 14 x 2	1
18	N / A	O-Ring, 10Ø x 2	1
19	N / A	Piston Control	1
20	N / A	Anti-Extraction Ring, 7Ø x 10 x 1.5	1
21	N / A	Valve, Spherical	1
22	N / A	Screw, M5 x 0.8 x 8.5	1
23	N / A	Valve Guide	1
24	N / A	O-Ring, 12.42Ø x 1.78	4
25	N / A	Anti-Extraction Ring, 13Ø x 16 x 1.5	1
26	N / A	Valve Seat	1
27	7103467	O-Ring, 9.92Ø x 2.62	2
28	N / A	Anti-Extraction Ring, 10.6Ø x 15 x 2	1
29	7103468	Nozzle, 2.2Ø	1
30	7103464	O-Ring, 13.95Ø x 2.62	1
31	7103465	Nipple, 3/8" NPT	1
32	7104650	Screw, M6 x 45	8
33	7103487	O-Ring, 17.13Ø x 2.62	4
34	7103466	Nipple, 1/2" NPT	1
35	7104651	Valve Plug, M24 x 1.5 x 13.2	3
36	N / A	Inlet Valve Assembly	3
37	N / A	Inlet Valve Guide	3
38	N / A	Spring, 9.4Ø x 14.8	3
39	N / A	Inlet Valve, Spherical	3
40	N / A	Inlet Valve Seat	3
41	7103469	O-Ring, 9.25Ø x 1.78	1
42	7103470	Conical Spring	1
43	7103471	Ball, 7/32" Ø	1
44	7103472	O-Ring, 5.28 x 1.78	1
45	7103473	Hose Barb, Black	1
46	N / A	O-Ring, 10.82Ø x 1.78	2
47	7103474	Chemical Valve Seat	1
48	7104652	Manifold	1

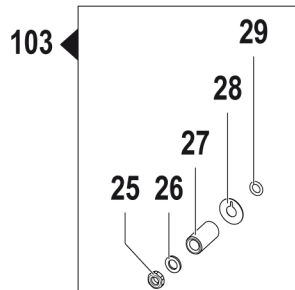
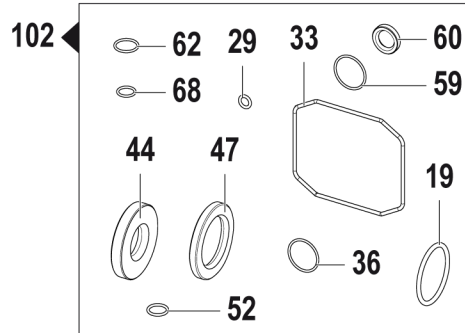
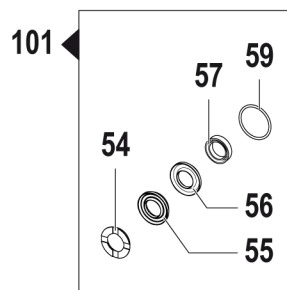
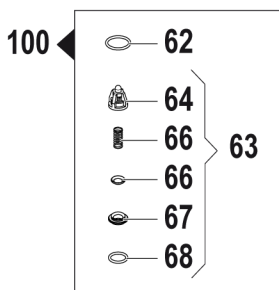
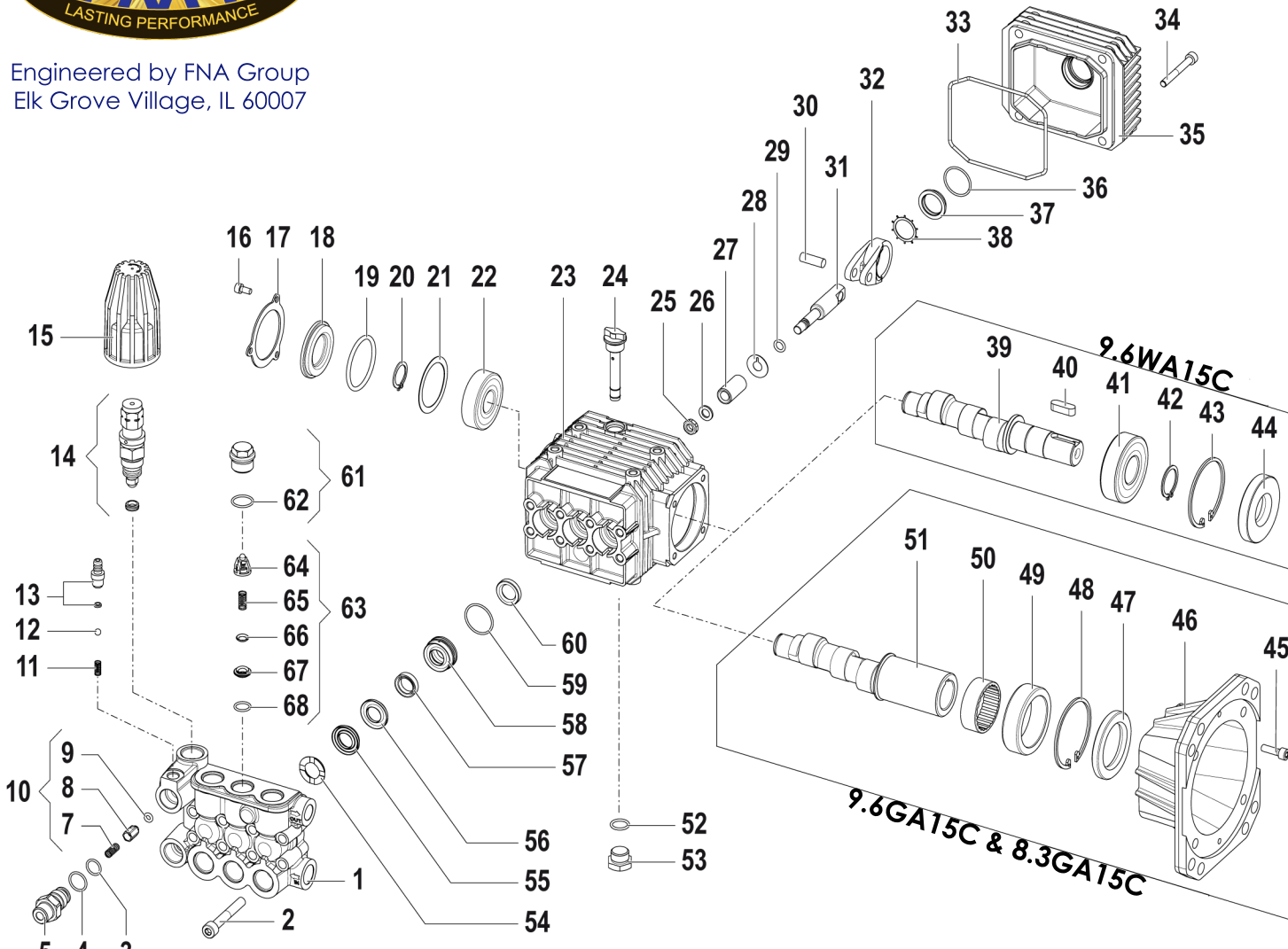
7103894 - TC 63 Series Pump Parts List			
Pos.	FNA Item #	Description	QTY
49	7104653	Valve Plug, M18 x 1.5 x 10	3
50	7104654	O-Ring, 15.6Ø x 1.78	3
51	N / A	Outlet Valve	3
52	N / A	Outlet Valve Guide	3
53	N / A	Spring, 6Ø x 12	3
54	N / A	Outlet Valve, Spherical	3
55	N / A	Outlet Valve Seat	3
56	N / A	Ring, Radial 15Ø x 24 x 5	3
57	N / A	Head Ring, 13Ø	3
58	N / A	Packing, 13Ø x 21 x 4, HP	3
59	N / A	Anti-Extraction Ring, 13Ø x 17 x 2	3
60	N / A	Intermediate Ring, 13Ø	3
61	N / A	Packing, 13Ø x 20 x 5, LP	3
62	N / A	Ring	3
63	N / A	O-Ring, 25.12Ø x 1.78	3
68	7103459	Needle Bearing	1
69	7103462	Washer, 6.4Ø x 10 x 0.7	4
70	7103463	Screw, M6 x 30	4
71	7103461	Ring, Radial 45Ø x 62 x 8	1
72	7103460	Gas Flange	1
73	7104655	Screw, M5 x 45	3
74	7104656	Washer, 5Ø x 11.5 x 0.5	3
75	7104657	Plunger, 13Ø x 30.5	3
76	7104658	Washer, 7.5Ø x 23 x 0.5	3
77	7104659	Plunger Guide	3
78	7104660	Pin, 9Ø x 24.5	3
79	7103447	Plug, G 1/4" x 9	1
80	7103445	Screw, M6 x 18	4
81	7104661	Back Cover	1
82	7104662	O-Ring, 94.92Ø x 2.62	1
83	7104663	Connecting Rod	3
84	7103881	Screw, M6 x 6	1
85	7104664	Crankshaft, 10mm Stroke (1310)	1
86	7104665	Pump Body	1
87	7103443	Oil Dip Stick, G 3/8"	1
88	7103441	Bearing, Spherical	1
89	7103455	Seeger Ring, 25Ø	1
90	7103440	O-Ring, 55.56Ø x 3.53	2
91	7103439	Oil Level Indicator	1
92	7103438	Side Bearing Cover	1
93	7103437	Screw, M6 x 10	4
K83	7100920	Radial Ring (Oil Seal) Kit (56)	3
K195	7104667	Unloader Kit (11, 12, 14-28)	1
K254	7104668	Packing Kit (Short) (57-59, 61)	3
K255	7104669	Packing Kit (Long) (57-63)	1
K256	7104670	Valve Kit (24, 33, 36, 51)	3
K257	7104671	Intermediate Ring Kit (60)	3
K258	7104672	Piston Bushing Kit (62, 63)	3



PUMP DIAGRAM

9.6WA15C, 9.6GA15C, 8.3GA15C

Engineered by FNA Group
Elk Grove Village, IL 60007



Pumps Covered By This Document	
Part No.	Model
7104757	9.6WA15C
7104820	9.6GA15C
7104858	8.3GA15C

Torque Specifications						
No.	Part No.	Description	lb.ft	lb.in	N.m	Apply To Thread
2	7105403	M8 x 55 Screw	18.4	220	25	-
16	7105412	M5 x 10 Screw	3.0	40	4	-
25	-	Piston Nut	4.4	50	6	Loctite 243
34	7105425	M6 x 50 Screw	6.6	80	9	-
45	7105436	M6 x 20 Screw	6.6	80	9	-
61	7105446	Valve Plug	33.2	400	45	Loctite 243

PUMP COMPONENTS

9.6WA15C, 9.6GA15C, 8.3GA15C

DWG NO.	PART NO.	DESCRIPTION	QTY.	MODELS
1	7105402	BRASS PUMP MANIFOLD, Ø15mm	1	ALL
2	7105403	SCREW, M8 X 55mm	8	ALL
3	-	O-RING, Ø1.75 X 12.42mm	1	ALL
4	-	O-RING, Ø1.78 X 15.6mm	1	ALL
5	-	INJECTOR BODY, Ø2mm-3/8" NPT(M)	1	ALL
6	7105404	INJECTOR BODY KIT, Ø2mm3/8" NPT(M)	1	ALL
7	-	SPRING	1	ALL
8	-	CHECK VALVE	1	ALL
9	7105405	O-RING, Ø2.4 X 4.3mm	1	ALL
10	7105406	CHECK VALVE KIT	1	ALL
11	7105407	DETERGENT SPRING	1	ALL
12	7105408	DETERGENT BALL	1	ALL
13	7105409	DETERGENT COUPLING	1	ALL
14	7105410	UNLOADER VALVE KIT, 3600PSI[250BAR]	1	ALL
15	7105411	UNLOADER ADJUSTMENT KNOB	1	ALL
16	7105412	SCREW, M5 X 10mm	3	ALL
17	7105413	CRANKCASE FLANGE	1	ALL
18	7105414	ALUMINUM END COVER	1	ALL
19	7105415	O-RING, Ø3.53 X 44.04mm	1	ALL
20	7105416	EXTERNAL SNAP RING, Ø20mm C72	1	ALL
21	7105417	SPACER, Ø41 X 51.8 X 0.5mm	1	ALL
22	7105418	BALL BEARING, Ø20 X 52 X 15mm	1	ALL
23	7105419	PUMP CRANKCASE	1	ALL
24	7105420	OIL DIPSTICK	1	ALL
25	-	SPECIAL NUT	3	ALL
26	-	WASHER, Ø8.2 X 14 X 1.5mm	3	ALL
27	-	CERAMIC BUSHING, Ø15mm	3	ALL
28	-	WASHER	3	ALL
29	-	O-RING, Ø1.78 X 6.07mm	3	ALL
30	7105421	PISTON PIN	3	ALL
31	7105422	PISTON GUIDE	3	ALL
32	7105423	CONNECTING ROD ASSEMBLY	3	ALL
33	7105424	O-RING, Ø3.0 X 94mm	1	ALL
34	7105425	SCREW, M6 X 50mm	4	ALL
35	7105426	CRANKCASE COVER	1	ALL
36	7105427	O-RING, Ø1.78 X 23.25mm	1	ALL
37	7105428	OIL LEVEL SIGHT GLASS	1	ALL
38	7105429	SIGHT GLASS RETAINING RING, Ø28mm	1	ALL
39	7105430	CRANKSHAFT, Ø24 X 9.6mm	1	9.6WA15C ONLY
40	7105431	SHAFT KEY, 8 X 7 X 25mm	1	9.6WA15C ONLY
41	7105432	BALL BEARING, Ø25 X 62 X 17mm	1	9.6WA15C ONLY
42	7105433	EXTERNAL SNAP RING, Ø25mm C72	1	9.6WA15C ONLY
43	7105434	INTERNAL SNAP RING, Ø62mm C72	1	9.6WA15C ONLY
44	7105435	OIL SEAL, Ø25 X 62 X 10/7mm	1	9.6WA15C ONLY
45	7105436	SCREW, M6 X 20mm	4	8.3GA15C & 9.6GA15C
46	7105437	MOUNTING FLANGE, 1.00"	1	8.3GA15C & 9.6GA15C
47	7105438	OIL SEAL, Ø40 X 62 X 7mm	1	8.3GA15C & 9.6GA15C
48	7105434	INTERNAL SNAP RING, Ø62mm C72	1	8.3GA15C & 9.6GA15C
49	7105439	BUSHING	1	8.3GA15C & 9.6GA15C
50	7105440	ROLLER BEARING, Ø40 X 47 X 16mm	1	8.3GA15C & 9.6GA15C
51	7105441	CRANKSHAFT, Ø1.00" X 8.3mm	1	8.3GA15C
51	7105442	CRANKSHAFT, Ø1.00" X 9.6mm	1	9.6GA15C
52	7105443	O-RING, Ø2 X 14mm	1	ALL
53	7105444	CAP, 3/8" GAS PIPE THREAD	1	ALL
54	-	PACKING HEAD RING, Ø15mm	3	ALL
55	-	PACKING, Ø15mm	3	ALL
56	-	BACK RING, Ø15mm	3	ALL
57	-	PACKING, Ø15 X 22 X 5.5mm	3	ALL
58	-	PACKING RETAINER, Ø15mm	3	ALL
59	-	O-RING, Ø1.78 X 26.7mm	3	ALL
60	7105445	OIL SEAL, Ø15 X 24 X 5mm	3	ALL
61	7105446	PLUG AND O-RING KIT	6	ALL
62	7105447	O-RING, Ø1.78 X 17.17mm	6	ALL
63	-	SUCTION/PRESSURE VALVE ASSEMBLY KIT	6	ALL
64	-	SUCTION/PRESSURE VALVE CAGE	6	ALL
65	-	VALVE SPRING	6	ALL
66	-	SUCTION/PRESSURE VALVE	6	ALL
67	-	SUCTION/PRESSURE VALVE SEAT	6	ALL
68	-	O-RING, Ø1.78 X 12.42mm	6	ALL
SPARE PARTS KITS				
100	7105448	SUCTION/PRESSURE VALVE KIT	1	ALL
101	7105449	WATER SEAL KIT	1	ALL
102	7105450	OIL SEAL KIT	1	ALL
103	7105451	PISTON KIT, Ø15mm	1	ALL