

# WGCPH3040

3000psi @ 4gpm

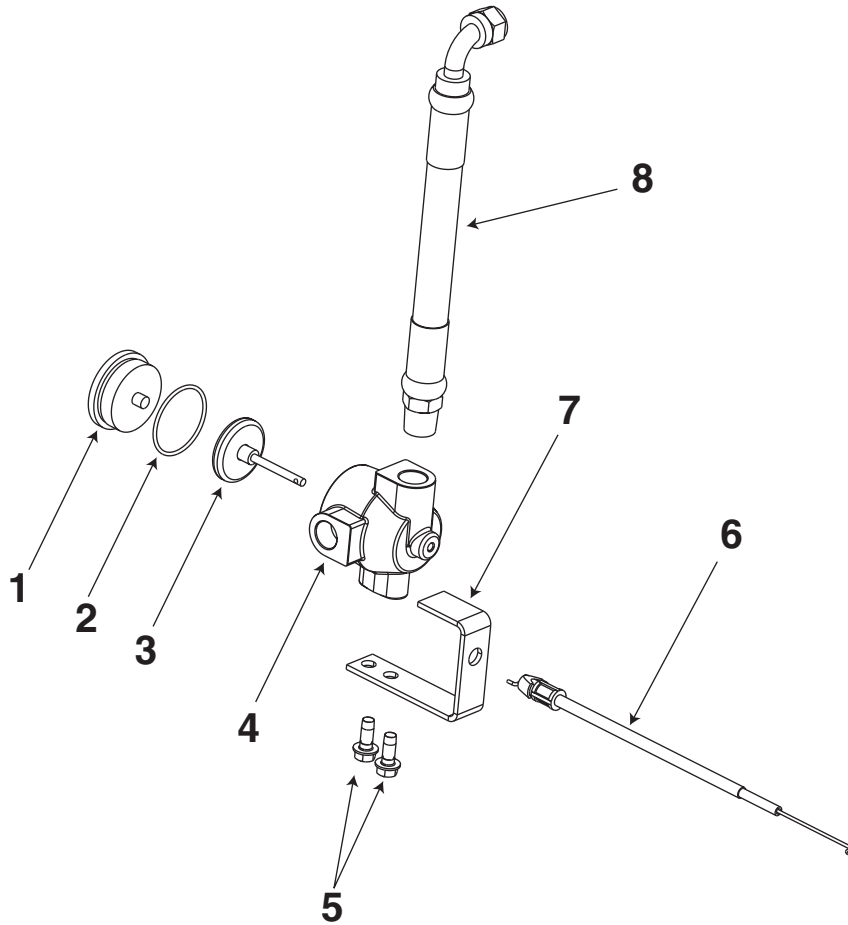
	<b>Part Number</b>	<b>Description</b>
Pump Information:	PK18281 .....	Kit, Pump (AR#XMV4G30)
	* 17657 .....	Thermal Relief Valve
	* 16776 .....	Easy Start Valve
	* 17098 .....	Inline Filter w/screen
	D21357 .....	Replacement Filter
	* 15913 .....	Hose
	* S065 .....	Clamp
	* D20189 .....	Chemical Injector
Engine Information:	GX-340K1QA .....	Engine, Honda 11 HP
	* M036 .....	Key
	16990 .....	Oil, 32 oz.
Frame Information:	18285 .....	Frame
	✓ 18072 .....	Rubber Grommet (holds nozzles)
	17926 .....	Foot
	18282 .....	Handle, Bagged
	# 16471 .....	Knob (2)
	# 18286 .....	Saddle Bolt (Used to attach Handle Knob)
	17623 .....	Tire,Pneu
	F464 .....	Pal Nut (2)
Hardware Information:		
Foot:	F064 (qty 2) .....	Screw, 5/16-16 x 1"
	16087 (qty 2) .....	Nut, Flangehead 5/16-18
Engine to Frame:	F486 (qty 4) .....	Screw,3/16-16
	F112 (qty 4) .....	Flatwasher, 3/8-16
	18098 (qty 2) .....	Nut, Flangehead 3/8-16
Pump to Engine:	* F107(qty 4) .....	lock Washer 3/8"
	* 15282 .....	Screw, 3/8-16 x .5
Idle Down Assembly:	18302 .....	Idle Down Assembly (See next page for breakdown)
Accessory Information:	D20802 .....	Hose Assy
	▲ F035 .....	Socket, 3/8 QC x 3/8 NPT Female
	▲ H043 .....	Hi Pressure Hose, 3/8" x 50 ft
	17648 .....	Lance, Quick -Connect
	+ 17775 .....	Lance
	+ F037 .....	Quick Connect
	17757 .....	Trigger Gun Assy
	• 17699 .....	Taped Plug, 3/8"
	• 16496 .....	Trigger Gun, 3/8" Female
	* H100 .....	Chemical Hose
	F035 .....	Quick Connect, 3/8 " socket x 3/8 FPT
	✓ 17730 .....	Nozzle Kit (4.5)
	18283 .....	Bagged Parts
	# NCT001 .....	Cleaning Tool
	# 16797 .....	Allen Wrench
	# 17821 .....	Video
Manual Information:	# D21684 .....	Manual, General- English-Spanish
	✓ 15107 .....	Manual, Engine



- \* Included in Pump Kit
- ▲ Included in Hose Assembly
- # Included in Bagged Parts
- ✓ Included in Bagged Handle
- Included in Gun Assembly
- ◆ Will require special tool for assembly-see Service Flash section of this manual.

## WGCPH3040 (con't)

### 18302 Idle Down Assembly



<b>Key No.</b>	<b>Part No.</b>	<b>Description</b>
*	18302	Idle Down Assembly
1	D20607	Plug, Idle Down
2	18311	O-Ring
3	18303	Piston Assembly
4	18304	Body Assembly
5	18310	Screw, 1/4-20
6	18345	Cable, Idle Down
7	18316	Bracket
8	18341	Hose, Idle Down

\* Includes Key #'s1-4