

XR2750-1

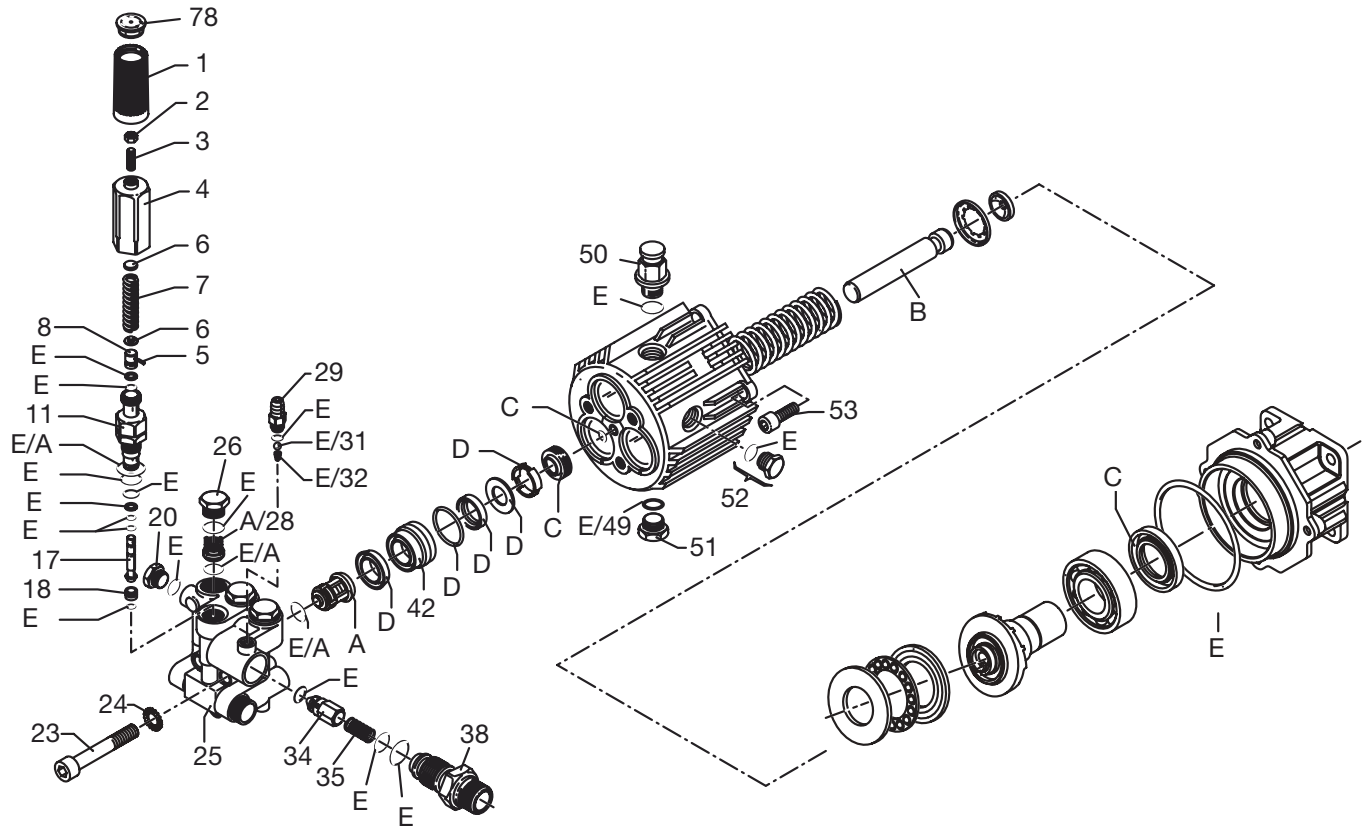
2750 psi @ 2.5 gpm

| | Part Number | Description |
|------------------------|--------------------|----------------------------------|
| Pump Information: | D29104 | Pump Kit |
| | * 17658 | Thermal Relief Valve Assy |
| | * F035 | Quick Connect |
| Engine Information: | GC190 | Engine, Honda, 6 Hp |
| | * P448 | Key |
| | 16255 | Oil, 20 oz. |
| Frame Information: | A00678 | Frame |
| | D22268 | Foot |
| | A01847 | Handle Assembly |
| | D30445 | Rubber Hose Cover |
| | D30446 | Rubber Gun Cover, flat |
| | D30447 | Rubber Gun Cover, curved |
| | A00262 | Tire, Pneu |
| | D30249 | Collar with set screw (qty 2) |
| Hardware Information: | | |
| Foot: | D21436 | Screw (qty 2) |
| | D21437 | Nut, Flangehead (qty 2) |
| Handle to Frame: | D26863 | Snap Button (qty 2) |
| Engine to Frame: | 18297 | Bolt, 5/16-18 x 1-3/4" (qty 4) |
| | 16087 | Nut, Flangehead 5/16-18 (qty 4) |
| Pump to Engine: | * D27152 | Screw, 5/16-24 x 3/4" (qty 4) |
| Accessory Information: | D27990 | Hose Assy |
| | ✗ F035 | QC Socket |
| | ✗ F039 | QC Plug |
| | A06118 | Lance Assy. |
| | D25039 | Gun Assembly |
| | + H140 | Chemical Hose |
| | + NCT001 | Cleaning Tool |
| | + D30374 | Nozzle Holder |
| | + D28916 | Nozzle Kit, 3.0 |
| | D29664 | Surface Guide Assembly |
| Manual Information: | ✓ A00088 | Manual, Operator-English/Spanish |
| | ✓ D28052 | Manual, Engine |
| | ✗ | Included in Hose Assembly |
| | + | Included in Bagged Parts |
| | ✓ | Included in Bagged Handle |
| | * | Included in Pump Kit |



Promotional Kit included with unit includes: PW-0049 fixed brush, RB100 rotary brush, 16125 floor brush, D28517 extension wand, and A00726 instruction manual

D29104 - SJV2.5G27 - PUMP, AR



D29104 - SJV2.5G27 - PUMP, AR PARTS LIST

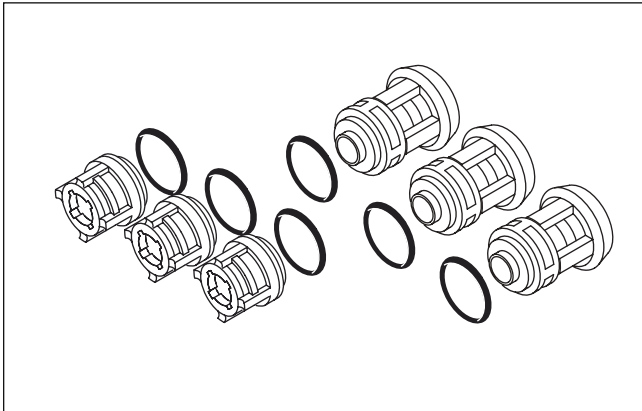
| <u>Key#</u> | <u>Part #</u> | <u>Description</u> |
|-------------|---------------|------------------------------|
| 1 | D29427 | Knob (1981780) |
| 2 | AR-1980300 | Nut |
| 3 | AR-1540560 | Grub Screw |
| 4 | D29428 | Handle Insert (1980640) |
| 5 | AR-1080070 | Pin |
| 6 | AR-1980220 | Plate Spring |
| 7 | AR-1271070 | Spring |
| 8 | AR-1080041 | Upper Piston |
| 11 | AR-1980210 | Piston Guide |
| 17 | AR-1271160 | Lower Piston |
| 18 | AR-1980200 | Valve Seat |
| 20 | AR-880581 | Plug |
| 23 | AR-1980310 | Screw |
| 24 | AR-650530 | Washer |
| 25 | D29429 | Pump Head (1982950) |
| 26 | AR-1260162 | Plug |
| 28 | AR-1269050 | Valve |
| 29 | D29430 | Hose Barb (1982520) |
| 31 | AR-1250280 | Ball |
| 32 | AR-1560520 | Spring |
| 34 | AR-1540170 | Jet |
| 35 | AR-1080091 | Spring |
| 38 | D29431 | Detergent Injector (1270131) |
| 42 | D29432 | Piston Guide (1981570) |
| 49 | AR-740290 | O-ring |
| 50 | AR-1980380 | Plug |
| 51 | AR-1980740 | Plug |
| 52 | AR-1980290 | Oil Plug |
| 53 | AR-180030 | Screw |
| A | D29433 | Valve Kit (2869) |
| B | D29434 | Piston Kit (2513) |
| C | D29435 | Oil Seal Kit (2591) |
| D | D29436 | Water Seal Kit (2147) |
| E | AR-2799 | O-Ring Kit |
| F | D29437 | Unloader Kit |

General Information:

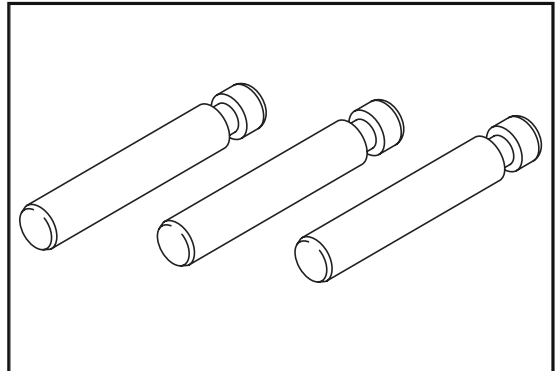
- 10W30 fully synthetic oil-5.25 oz
- Shipped with a red shipping plug
- Kit contains: D29105 pump, 16829 adapter (inline filter), 17658 thermal relief, D21344 Mounting Kit [P448 key (qty 1), A06113 screw (qty 4)]

D29104- SJV2.5G27 - PUMP, AR REPAIR KIT

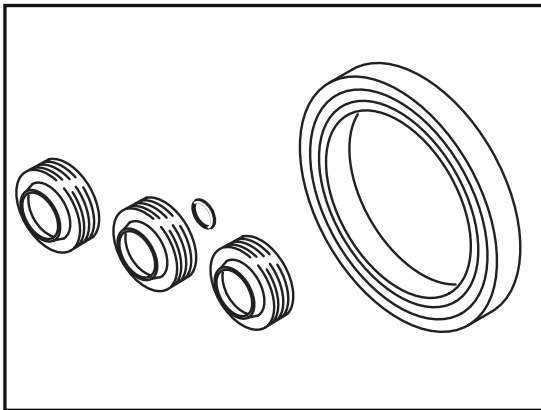
D29433 Valve Kit



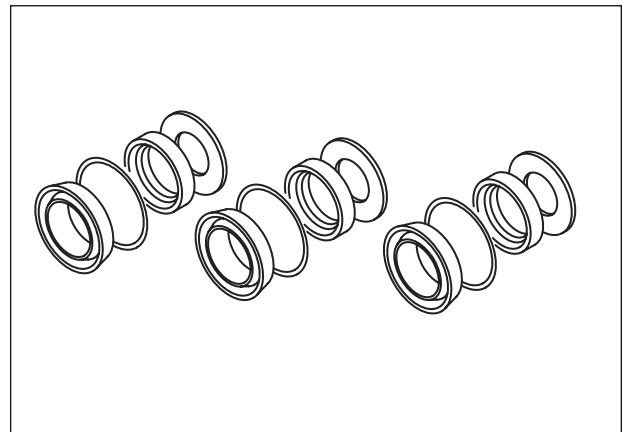
D29434 Piston Kit



D29435 Oil Seal Kit



D29436 Water Seal Kit



AR-2799 O-Ring Kit



D29437 Unloader Valve Kit

