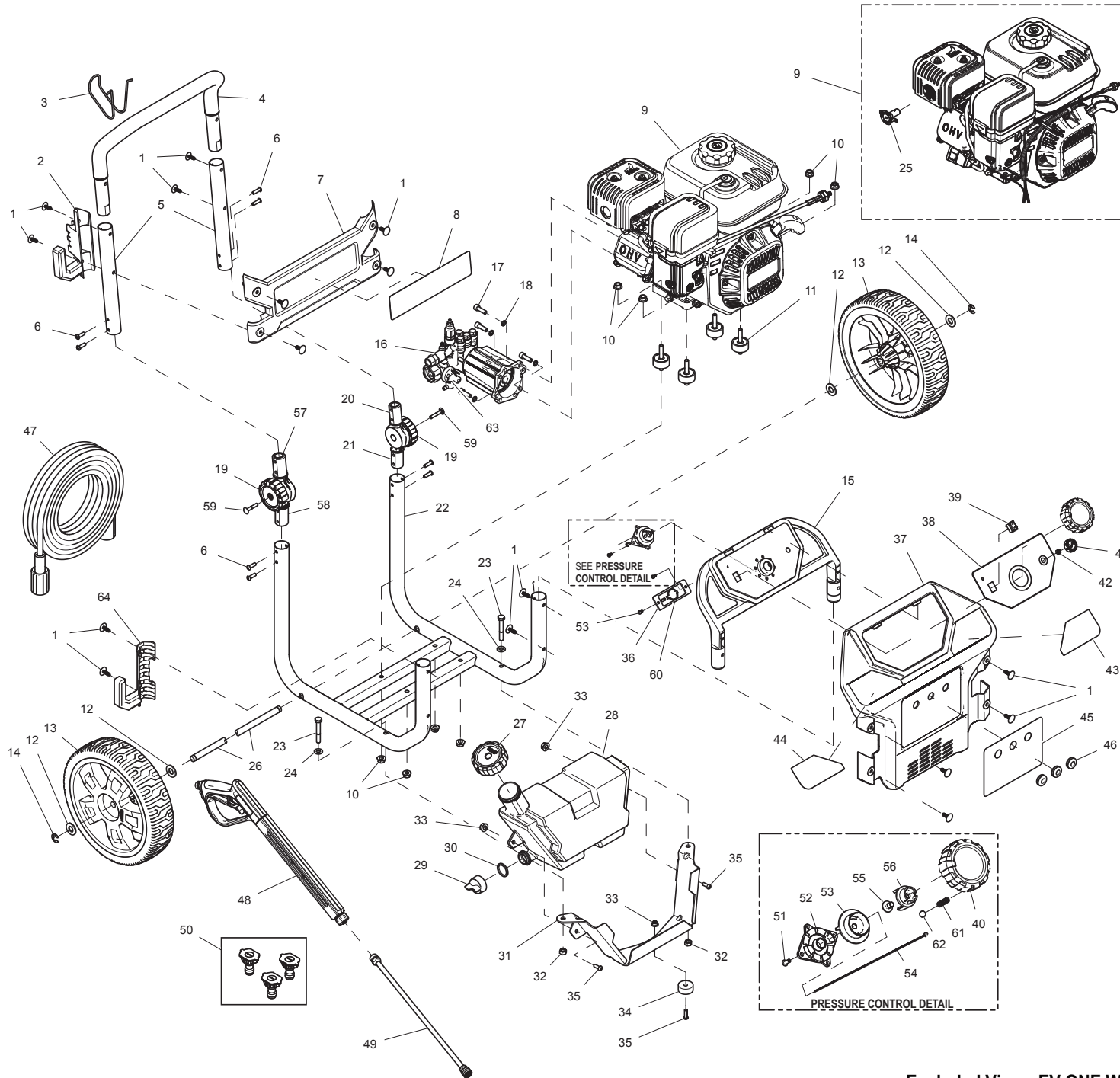


GROUP EV



GROUP EV

ITEM	PART	QTY.	DESCRIPTION	ITEM	PART	QTY.	DESCRIPTION
1	0K0435	16	FASTNER, RIBBED SHANK CHRSTM TR	35	0J5086	1	SCREW BHSC M6-1.0 X 20 ZP
2	0K0044	1	CAP W/GUN-WAND	36	0K0251	3	ASSY PCB PRESS WASH SENSOR
3	0J3052	1	HOOK-HOSE	37	0K0045	1	BILLBOARD-LOWER
4	0K0042	1	HANDLE	38	0K0877	1	DECAL BILLBOARD LWR CNTRL (3000)
5	0J9729	2	TUBE-HANDLE		0K0877A	1	DECAL BILLBOARD LWR CNTRL (3100)
6	0J1545	8	SCREW BHSP M6 X 19MM	39	0K0442	1	SWITCH, ON-OFF
7	0K0041	1	BILLBOARD-UPPER	40	0K0138	1	KNOB CONTROL
8	0K0444	1	DECAL HANDLE (3000)	41	0K0781	1	CAP CHOKE CABLE
	0K0444A	1	DECAL HANDLE (3100)	42	0K1744	1	NUT HEX M10X1.0X6
9	0K1046	1	ENGINE ASSY (3000 & 3100)	43	0K0445	1	DECAL QUICK SET UP
	0K1047	1	ENGINE ASSY CARB (3000 & 3100)	44	0K0054	1	DECAL INSTRUCTIONS PW
10	067989	8	NUT HEX FL WHIZ M8-1.25	45	0K0053	1	DECAL NOZZLES BILLBOARD
11	021217	4	VIB MNT 16 X 35 X M8-1.25	46	0J3079	1	GROMMET-NOZZLE
12	022304	4	WASHER FLAT 1/2 ZINC	47	0K0921A	1	HOSE 30 FT X 1/4" W/M22 CONN
13	0K0256A	2	WHEEL 11" X 2.5" X 0.5"	48	0K0543	3	GUN ASSEMBLY - W/RIBS AND M22 CONN
14	0K0982	2	RING SNAP 1/2 TYPE E	49	0J9640	1	LANCE ASSY - 20" LONG
15	0K0046	1	BILLBOARD-LOWER CONTROL	50	0H9617G	1	KIT-NOZZLE
16	0J9375	1	PUMP-ONE WASH	51	0K0899	1	SCREW BHSP M4 X 10MM
17	0J3315	4	SCREW SHC M8-1.25 X 25 C8.8	52	0K0139	1	PLATE-STEPPED CONTROL
18	092479	4	WASHER LOCK M8 RIBBED	53	0K0140	2	ROTOR-STEPPED CONTROL
19	0J9741	2	CAP-KNOB, HANDLE	54	0K0438A	1	BOWDEN CABLE
20	0J9646	1	HINGE PLATE HANDLE	55	0K0573	1	SCREW BFHSC M6-1.0 X 10 BLK ZP
21	0J9645	1	HINGE PLATE FRAME	56	0K0141	1	KNOB SYNCHRONIZER-CONTROL
22	0J9708	2	WELDMENT TUBE FRAME BLACK	57	0J9732	1	HINGE PLATE HANDLE
23	0J3317	2	SCREW HHC M8-1.25 X 55 PC8.8	58	0J9733	1	HINGE PLATE FRAME
24	022145	2	WASHER FLAT 5/16-M8 ZINC	59	0K1579	1	CHB M6-1.00 X 35MM LONG
25	0K1851	1	SPARK ARRESTER (CARB ENGINE ONLY)	60	0K0914	1	GASKET, PCB
26	0J9739	1	AXLE, 1/2" DIA	61	0K1109	2	SPRING, DETENT
27	0J9793	1	CAP-CHEMICAL FILL	62	0K1132	1	BALL, 7MM, STAINLESS
28	0K0257	1	TANK-CHEMICAL	63	0K0439	1	PRESSURE SWITCH
29	0J9794	1	CAP-DRAIN	64	0K1138	1	CAP-W/GUN
30	0K1964	1	GASKET, CAP DRAIN				
31	0K1814	1	BRACKET-MOUNTING FOOT, WELDED				
32	049820	2	NUT HEX LOCK M8-1.25 NY INS				
33	0D3700	3	NUT FLANGE M6-1.0 NYLOK				
34	0J2229	1	VIBRATION MOUNT 1-1/4" OD				