

GENERAC

The Reliable Ones

3200 PSI

Owner's Manual



Model No. 1014-0 (3200PSI Pressure Washer) Manual No. B4275 Revision 2 (5/1/99)



This symbol points out important safety instructions, which, if not followed, could endanger the personal safety and/or property of yourself and others. Read and follow all instructions in the manual before attempting to operate this unit.



Important! — Safety Rules — Important!



WARNING:

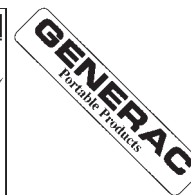


The engine exhaust from this product contains chemicals known to the State of California to cause cancer, birth defects, or other reproductive harm.



CAUTION! Always disconnect spark plug wire and place wire where it cannot contact spark plug to prevent accidental starting when setting up, transporting, adjusting or making repairs to your high pressure washer.

- Engine exhaust gases contain DEADLY carbon monoxide gas. This dangerous gas, if breathed in sufficient concentrations, can cause unconsciousness or even death. Operate this equipment only in the open air where adequate ventilation is available.
- Gasoline is highly FLAMMABLE and its vapors are EXPLOSIVE. Do not permit smoking, open flames, sparks or heat in the vicinity while handling gasoline. Avoid spilling gasoline on a hot engine. Allow unit to cool for 2 minutes before refueling. Comply with all laws regulating storage and handling of gasoline.
- Locate this pressure washer in areas away from combustible materials, combustible fumes or dust.
- The high pressure equipment is designed to be used with authorized parts only. If you use this equipment with parts that do not comply with minimum specifications, the user assumes all risks and liabilities.
- Some chemicals or detergents may be harmful if inhaled or ingested, causing severe nausea, fainting or poisoning. The harmful elements may cause property damage or severe injury.
- Do not allow CHILDREN to operate the Pressure Washer at any time.
- Operate engine only at governed speed. Running the engine at excessive speeds increases the hazard of personal injury. Do not tamper with parts which may increase or decrease the governed speed. Adjustments should be made by authorized service personal only.
- Do not wear loose clothing, jewelry or anything that may be caught in the starter or other rotating parts.
- Before starting the Pressure Washer in cold weather, check all parts of the equipment and be sure ice has not formed anywhere.
- Units with broken or missing parts, or without protective housing or covers should NEVER be operated.
- The muffler and air cleaner must be installed and in good condition before operating the Pressure Washer. These components act as spark arrestors if the engine backfires.
- Check the fuel system for leaks or signs of deterioration such as chafed or spongy hose, loose or missing clamps or damaged tank or cap. Correct all defects before operating the Pressure Washer.
- Do not spray flammable liquids.
- Never aim the gun at people, animals or plants.
- High pressure spray can cause paint chips or other particles to become airborne and fly at high speeds.



Important! — Safety Rules — Important!

- Never allow any part of the body to come in contact with the fluid stream. DO NOT come in contact with a fluid stream created by a leak in the high pressure hose.
- The high pressure stream of fluid that this equipment produces can pierce skin and its underlying tissues, leading to serious injury and possible amputation.
- Always wear eye protection when you use this equipment or when you are in the vicinity where the equipment is in use.
- Operate the pressure at no more than the PSI fluid pressure rated for your pressure washer.
- Never move the machine by pulling on the high pressure hose. Use the handle provided on the top of the unit.
- Always be certain the spray gun, nozzles and accessories are correctly attached.
- Never use a spray gun which does not have a trigger lock or trigger guard in place and in working order.
- Use a respirator or mask whenever there is a chance that vapors may be inhaled. Read all instructions with mask so you are certain the mask will provide the necessary protection against inhaling harmful vapors.
- High pressure spray may damage fragile items including glass. Do not point spray gun at glass when in the jet spray mode.
- Keep the hose connected to machine or the spray gun while the system is pressurized. Disconnecting the hose while the unit is pressurized is dangerous.
- Hold the spray gun firmly in your hand before you start the unit. Failure to do so could result in an injury from a whipping spray gun. Do not leave the spray gun unattended while the machine is running.
- The cleaning area should have adequate slopes and drainage to reduce the possibility of a fall due to slippery surfaces.
- Keep water spray away from electric wiring or fatal electric shock may result.
- Do not secure gun trigger in the pull-back (open) position.
- Do not by-pass any safety device on this machine.
- The muffler and engine heat up during operation and remain hot immediately after shutting it down. Avoid contact with a hot muffler or engine or you could be severely burned.
- Operate and store this unit on a stable surface.
- High pressure hose can develop leaks from wear, kinking, abuse, etc. Water spraying from a leak is capable of injecting material into skin. Inspect hose each time before using it. Check all hoses for cuts, leaks, abrasions or bulging of cover, or damage or movement of couplings. If any of these conditions exist, replace the hose immediately. Never repair a high pressure hose. Replace it with another hose that meets minimum pressure rating of your pressure washer.



CONGRATULATIONS on your purchase of a Honda Powered High Pressure Washer. It has been designed, engineered and manufactured to give you the best possible dependability and performance.

Should you experience any problem you cannot easily remedy, please contact your nearest Authorized Service facility. We have competent, well-trained technicians and the proper tools to service or repair this unit.

Please read and retain this manual. The instructions will enable you to assemble and maintain your high pressure washer properly. Always observe the "SAFETY RULES."

CUSTOMER RESPONSIBILITIES

- Read and observe the safety rules.
- Read and observe all the instructions in this manual.
- Follow regular schedule in maintaining, caring for and using your high pressure washer.
- Follow the instructions under "Customer Responsibilities" and "Storage" sections of this Owner's Manual.

Model Number	1014-0
Serial Number	_____
Date Of Purchase	_____

The model and serial numbers will be found on a decal attached to the pressure washer. Record both serial number and date of purchase and keep in a safe place for future reference.

PRODUCT SPECIFICATIONS

Pressure Washer Specifications

Outlet Pressure	3200PSI
Flow Rate	4.0 Gallons per minute (gpm)
Detergent	Use detergent approved for pressure washers.
Water Supply Temperature	Not to exceed 140°F
Pump Oil	SAE 20-30w
Automatic Cool Down System	Will cycle when water reaches 140°-145°F
Hose Length	50ft.

Engine Specifications

Engine Model	Honda GX340
Rated Horsepower	11HP
Displacement	337cc (20.6 cu. in.)
Spark Plug	
Type	BPR6ES (NGK)
Set Gap To:	.028-.031 inch. (.7-.8mm)
Gasoline Capacity	1.7 U.S. Gallons (6.5l)
Oil	SAE 10W30

In the State of California a spark arrestor is required by law (Section 4442 of the California Public Resources Code). Other states may have similar laws. Federal laws apply on federal lands.

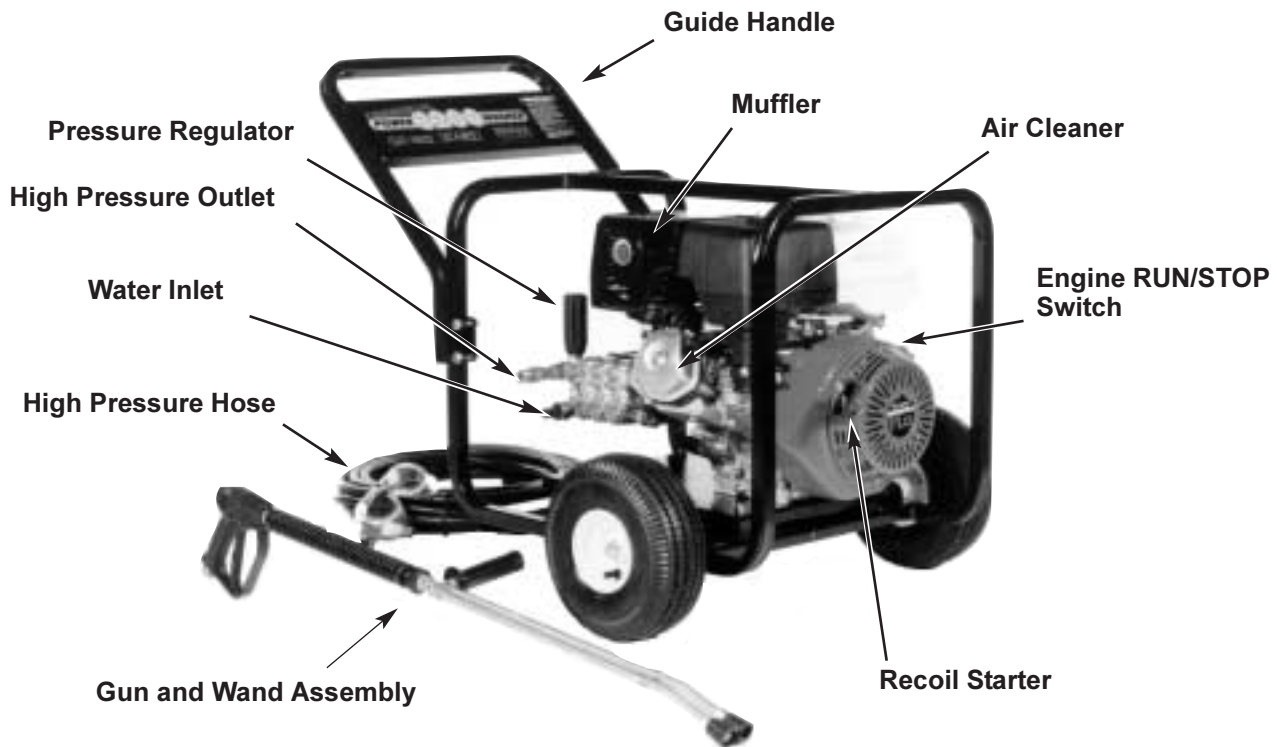
NOTE: The engine of your pressure washer is equipped with a spark arresting muffler. The spark arrestor must be maintained in effective working order by the owner/operator. You can order a spark arrestor through your authorized Honda service dealer.



KNOW YOUR PRESSURE WASHER

Read this owner's manual and safety rules before operating your high pressure washer.

Compare this illustration with your high pressure washer to familiarize yourself with the location of the controls. Save this manual for future reference.



Air Cleaner — Dry type filter element limits the amount of dirt and dust that gets in the engine.

Engine RUN/STOP Switch — Enables and disables the ignition system.

Guide Handle — Provides ease of handling when moving or storing pressure washer.

Gun and Wand Assembly — Controls the application of water onto cleaning surface with trigger device. Includes safety latch.

High Pressure Hose — Transfers water under high pressure to gun assembly.

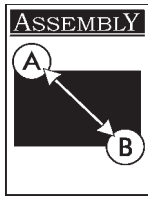
High Pressure Outlet — Connection for high pressure hose.

Muffler — Disperses exhaust gas and quiets engine.

Pressure Regulator — Allows you to adjust the pressure of the outlet stream.

Recoil Starter — Pulling the starter grip operates the recoil starter to crank the engine.

Water Inlet — Connection for garden hose.



Warning! Read entire owner's manual before you attempt to assemble or operate your new pressure washer.

REMOVE PRESSURE WASHER FROM CARTON

- Remove the accessory and parts box included with the pressure washer.
- Slice two corners at the guide handle end of carton from top to bottom so the panel can be folded down flat, then remove all packing material.
- Roll the pressure washer out of the carton.

CARTON CONTENTS

Items in the carton include:

- Main unit
- High Pressure Hose
- Handle
- Parts Box (includes the following):
 - Goggles
 - Nozzle Cleaning Kit
 - Owner's Manual
 - Engine Manual
 - Engine Warranty
 - Emissions Control Warranty
 - Spray Gun

- Parts Bag (containing hardware to attach handle to pressure washer)
- Wand - Dual
- Spark Plug Wrench
- Crank Key
- Exhaust Deflector with three screws.

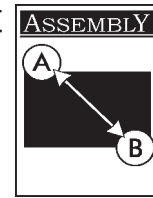
If any of the above parts are missing or damaged, call the pressure washer helpline at **1-800-270-1408**.

PREPARING THE PRESSURE WASHER FOR USE

If you have any problems with the assembly of your pressure washer or if parts are missing or damaged, call the Pressure Washer Helpline at **1-800-270-1408**

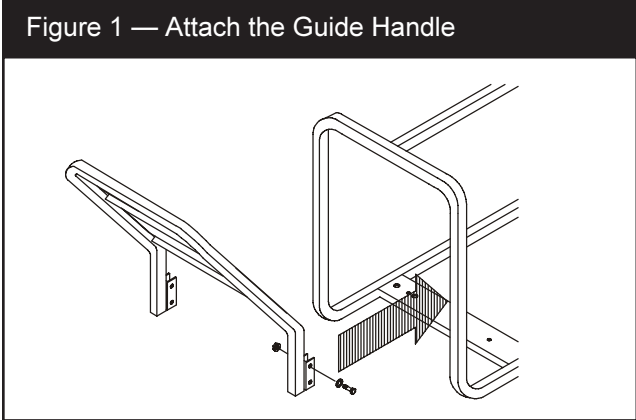
To prepare your pressure washer for operation you will need to perform these tasks:

- Attach the handle to the main unit.
- Add oil to the engine.
- Add fuel to the fuel tank.
- Connect the high pressure hose to the spray gun and the pump.
- Connect the water supply to the pump.



Attach Handle To Pressure Washer

- Place the handle on the pump side of the pressure washer in the center of the frame.
- Attach the handle to the frame using the supplied bolts (Figure 1).

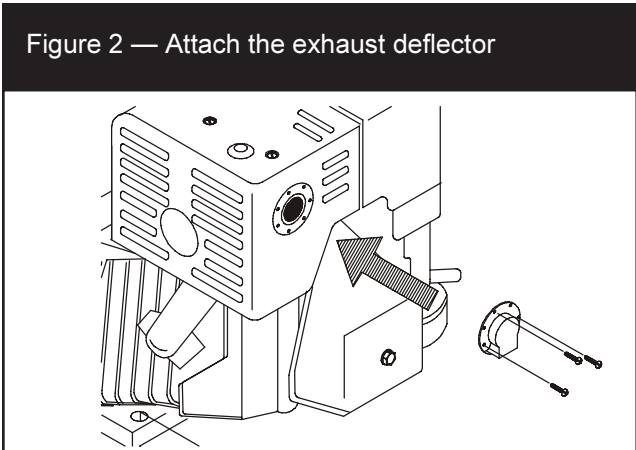


Attach the Exhaust Deflector

Note: This Step is optional.

The exhaust deflector channels the hot air coming from the muffler to the ground. To install the exhaust deflector:

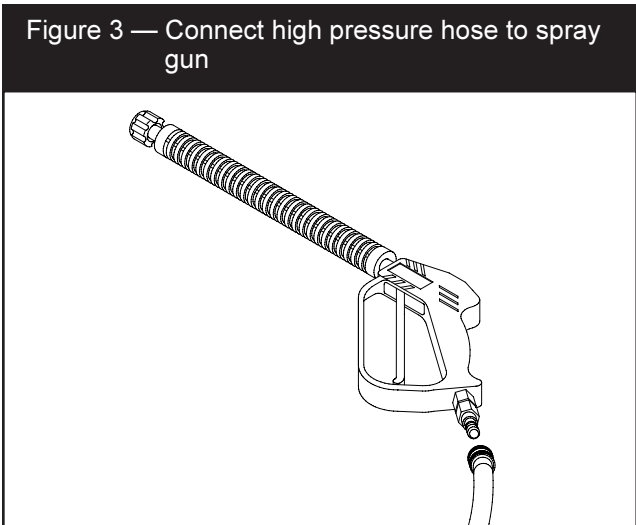
- Attach the deflector to the muffler using the three screws provided (Figure 2).



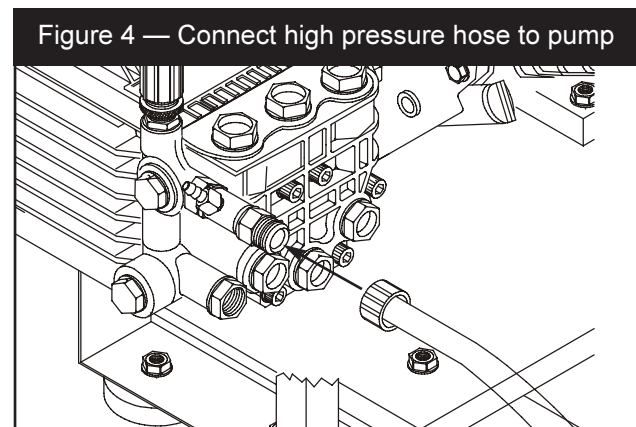
Connect Hose and water supply to pump

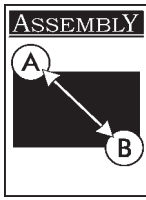
Important: You must assemble the wand and attach all hoses before you start engine. Starting engine without all hoses connected and water supplied will damage pump.

- Unravel the high pressure hose.
- Attach the gun to the high pressure hose using the quick connect fitting. Pull back on the quick connect sleeve and push the fitting all the way in. Tug on the gun to ensure a secure connection (Figure 3).

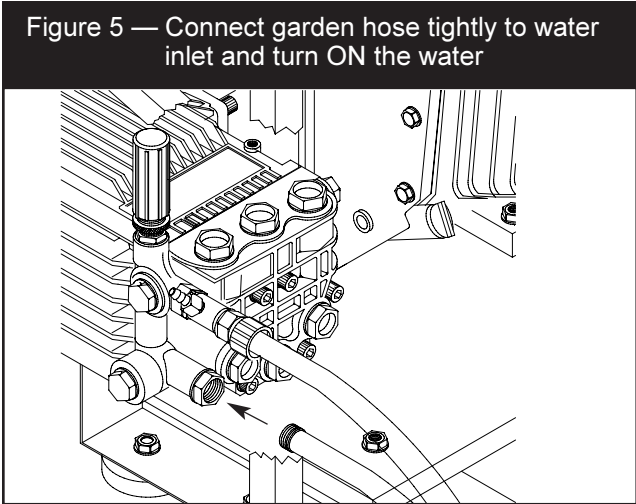


- Connect the hose to the water outlet. Tighten by hand (Figure 4).



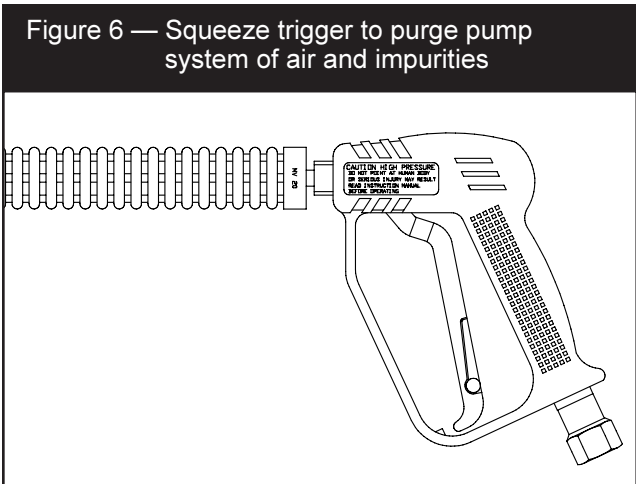


- Inspect the Inlet Screen on the water inlet. Clean it if it contains debris or have it replaced if damaged. **Do not run the pressure washer if the screen is damaged.**
- Connect the garden hose tightly to the water inlet and turn on the water (Figure 5).

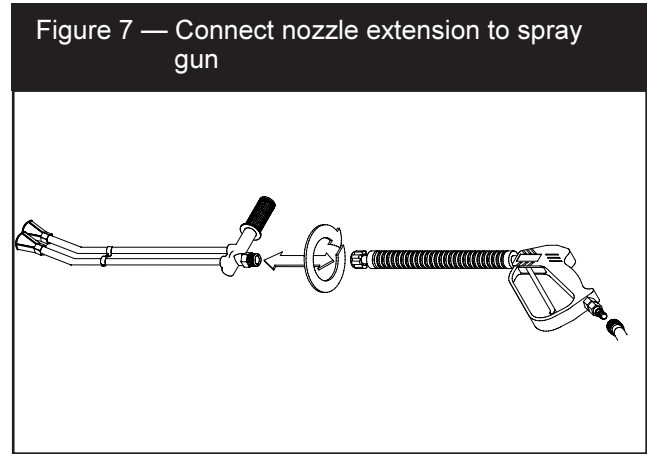


Note: Your Water valve must be opened completely.

- Squeeze the trigger until a steady stream of water appears to purge the pump of air and impurities (Figure 6).



- Connect the nozzle extension to the spray gun (Figure 7).



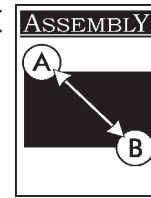
BEFORE STARTING THE ENGINE

Caution: Before starting the pressure washer, be sure you are wearing adequate eye protection. Goggles are included with this unit.

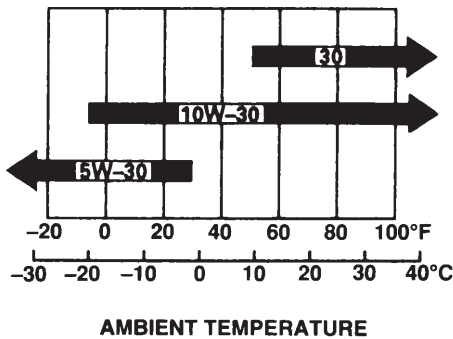
Before you operate your pressure washer, you should prepare the engine for the initial starting. **Consult the engine owner's manual for details about preparing the engine.** To operate the engine you will need the following:

Add Engine Oil

Warning! Any attempt to crank or start the engine before it has been properly serviced with the recommended oil will result in an engine failure.

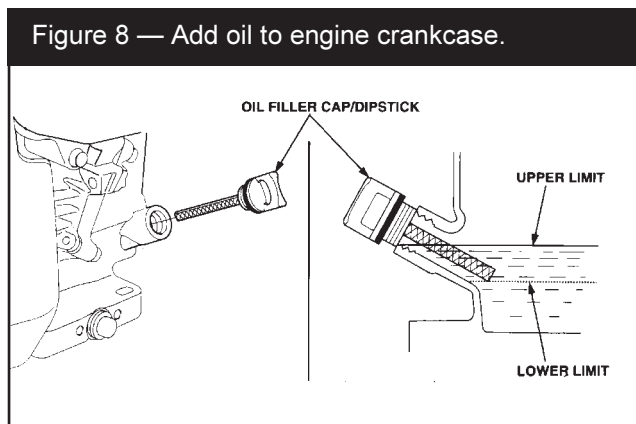


Use only high quality detergent oil rated with API service classification SF or SG rated 10W30. Do not use SAE 10W40 oil. Other viscosities shown in the chart below may be used when the average temperature in your area is within the recommended range.



IMPORTANT: This engine is equipped with the Oil Alert System. The Oil Alert System is designed to prevent damage caused by an insufficient amount of oil in the crankcase. Before the oil level in the crankcase can fall below a safe limit, the Oil Alert System will automatically stop the engine (the engine switch will remain in the ON position).

- Place the pressure washer on a level surface.
- Clean the area around the oil fill and remove the oil filler cap/dipstick (Figure 8).



- Wipe the dipstick clean.
- Insert and remove the dipstick without screwing it into the filler neck. Check the oil level shown on the dipstick.

- Fill to the edge of the oil filler hole with the recommended oil. **DO NOT OVERFILL.** Engine oil capacity is 1.16 US qt. (1.1L)
- Reinstall the oil filler cap/dipstick, and hand tighten securely.

Note: Check oil often during engine break-in.

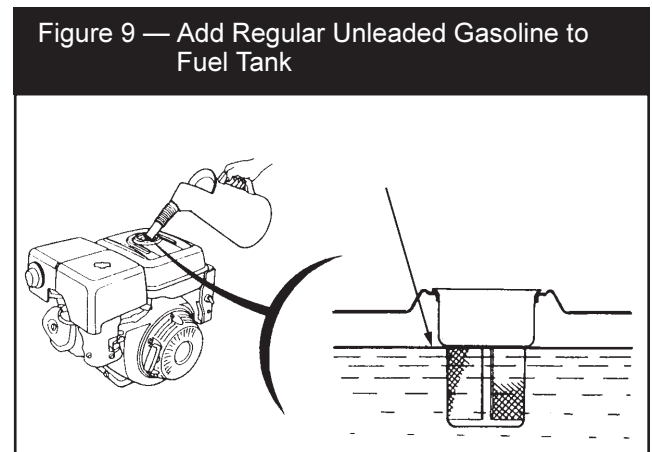
Add Gasoline

WARNING: Never fill fuel tank indoors. Never fill fuel tank when engine is running or hot. DO NOT smoke when filling fuel tank.

WARNING: NEVER fill fuel tank completely full. Fill tank as shown (Figure 9) to provide space for fuel expansion. Wipe away any fuel spillage from engine and equipment before starting.

Use unleaded gasoline with a pump octane rating of 86 or higher.

- Use clean fuel and store in approved, clean covered containers. Use clean fill funnels. Never use “stale” gasoline left over from last season or gasoline stored for long periods.
- Clean area around the fuel fill cap, remove the cap (Figure 9).



- Add regular **UNLEADED** gasoline, slowly, to fuel tank.
- Install fuel cap and wipe up any spilled gasoline.



CHECKLIST BEFORE STARTING ENGINE

When you have reached this point, look back over the assembly to see if you have performed all of the following.

- Check for properly tightened hose connections (high pressure and water supply). Also, check to make sure that there are no kinks, cuts, or damage to the high pressure hose.
- Check that oil has been added to the proper level in engine crankcase before trying to start the pressure washer.
- Add proper gasoline to fuel tank.
- Provide proper water supply (not to exceed 140°F).
- Be sure to read “Safety Rules” and “How To Use Your Pressure Washer” sections before using the pressure washer.

HOW TO USE YOUR PRESSURE WASHER

If you have any problems operating your pressure washer, please call the pressure washer helpline at **1-800-270-1408**

You have assembled your high pressure washer and have prepared the engine for starting. You are now ready to clean your car, boat or the outside of a building or whatever you plan to clean.

How to Start Your Engine

The best way to start your engine-powered pressure washer for the first time is to follow these instructions step-by-step. This starting information also applies whenever you start the engine after you have let the pressure washer sit idle for at least a day.

- Place the pressure washer in an area close enough to an outside water source that can flow at a rate of 4.4 gallons per minute. Connect a garden hose to a water spout.
- Make sure the unit is in a level position.
- Check that the high pressure hose is tightly connected to the spray gun and to the pump. See “Preparing the Pressure Washer for Use.” (Pages 6-8)
- Connect the garden hose to the water inlet on pressure washer pump and **turn on the water.**

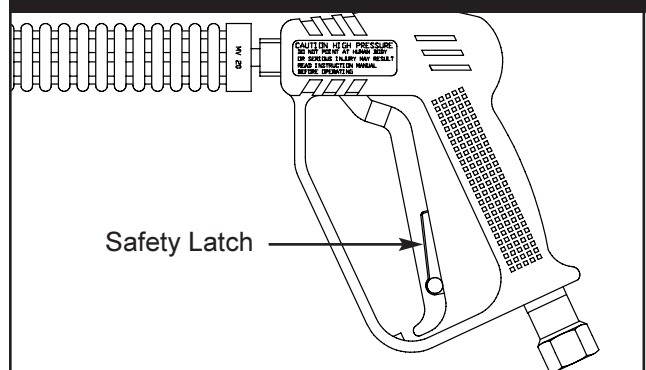
Note: Make sure the valve is opened completely.



WARNING! Do not run the pump without the water supply connected and turned on. You must follow this caution or the pump will be damaged.

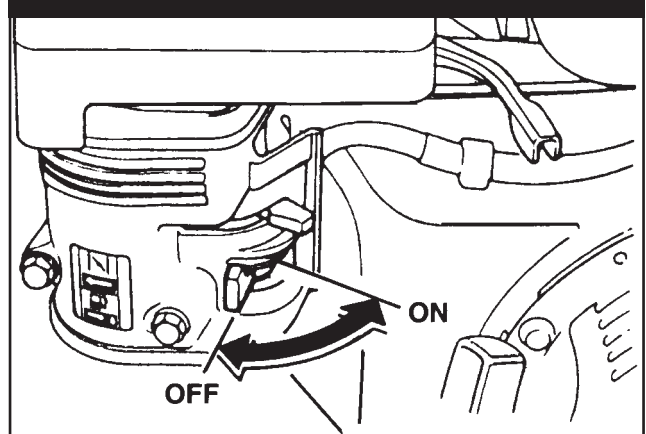
- Squeeze the trigger on the spray gun (make sure the nozzle is in low pressure mode) to relieve the air pressure caused by turning ON the water. Water will spew out of the gun in a thin stream. Hold the trigger until a steady stream of water appears. This will make it easier to pull start the engine. Release the trigger.
- Apply the safety latch to the spray gun trigger (Figure 10).

Figure 10 — Apply safety latch



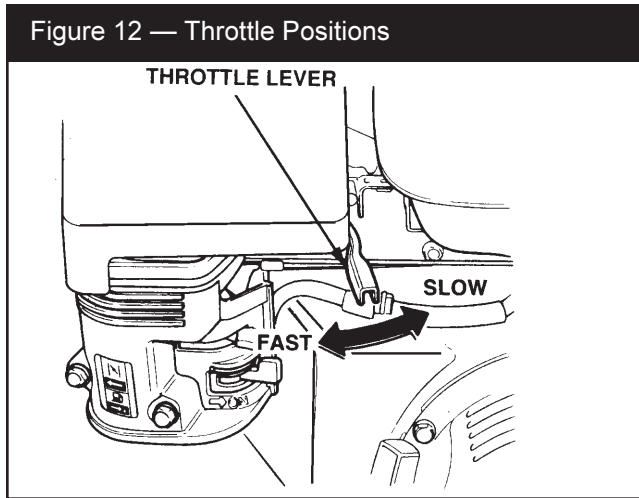
- Move the fuel valve to the “ON” position (Figure 11).

Figure 11 — Fuel Valve

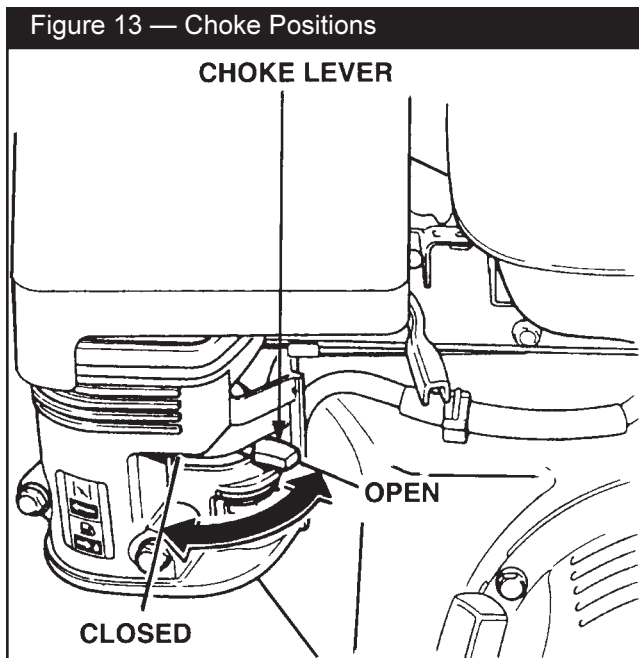




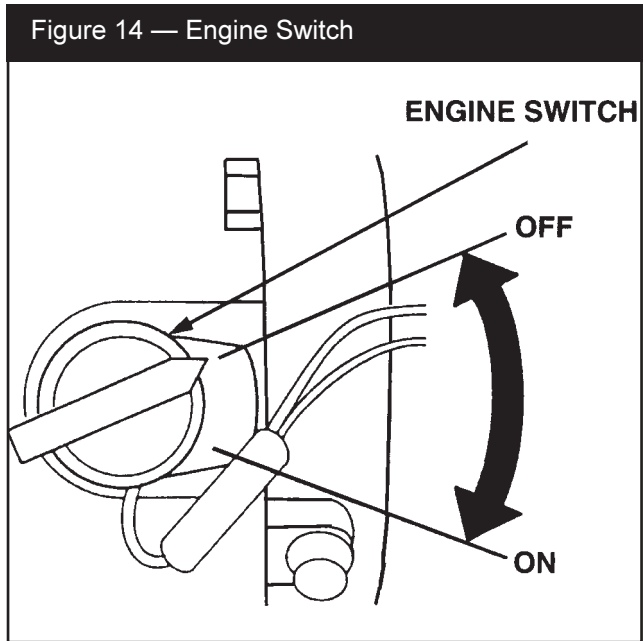
- Move the throttle lever away from the **SLOW** (right) position, about 1/3 of the way to the **FAST** (left) position (Figure 12).



- To start a cold engine, move the choke lever to the **CLOSED** position. To restart a warm engine, leave the choke lever in the **OPEN** position (Figure 13).



- Set the engine switch to the **ON** position (Figure 14).



- Grasp the starter grip and pull slowly until you feel some resistance. Then pull cord out with rapid full arm stroke. Let rope return slowly. Do not let rope “snap back” against starter.
- If the choke lever has been moved to the **CLOSED** position to start the engine, gradually move it to the **OPEN** position as the engine warms up.
- Set the throttle control to the **FAST** (left) position.
- Allow engine to warm up for 2 minutes before using unit.
- Place safety latch on gun in **OFF** position.



How To Stop Your Pressure Washer

- Place the engine switch in the **OFF** position.
- Pull trigger to relieve pressure in the system.

Note: A small amount of water will squirt out when you release the pressure.

- Move the fuel lever to the **OFF** position.
- Move the throttle control lever to the **SLOW** (right) position.

How to Use Spray Gun and Control Pressure

You now should know how to **START** your pressure washer and how to **STOP** it. The information in this section will tell you how to use the spray and apply detergent or any other cleaning chemicals.

IMPORTANT: Do not run pump without the water supply connected and turned on with the water valve opened completely. You must follow this caution or the pump will be damaged.

- Located on the front of the pump is the pressure control knob. You can increase the pressure by turning the knob clockwise or decrease the pressure by turning the knob counterclockwise (Figure 15).

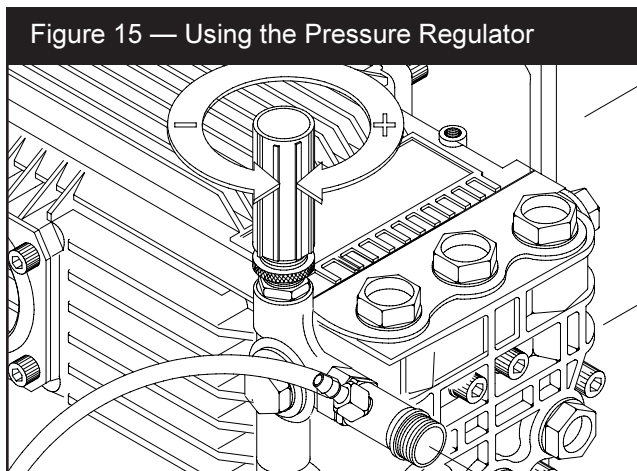


Figure 15 — Using the Pressure Regulator

- For most effective cleaning, keep spray nozzle between 8 to 24 inches away from cleaning surface.

Note: If you get spray nozzle too close, you may damage the cleaning surface.

- Do not get closer than 6 inches when cleaning automobile tires.

Cleaning and Applying Chemical

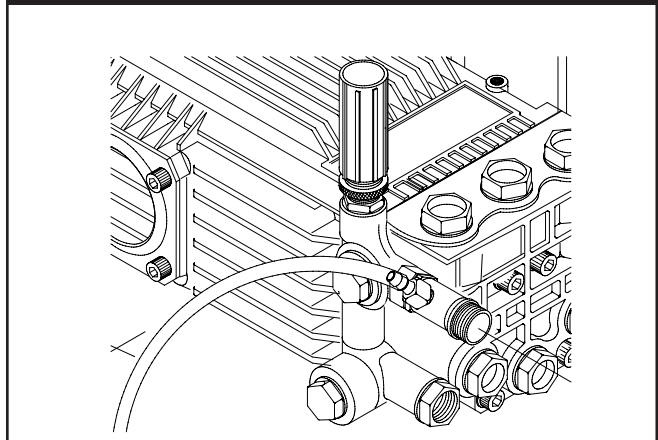
WARNING! You must **attach all hoses** before you start the engine. Starting the engine without all the hoses connected and without the water turned **ON** will damage the pump.

IMPORTANT: Use soaps designed specifically for pressure washers. Household detergents could damage the pump.

To apply detergent follow these steps:

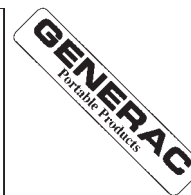
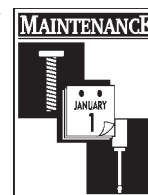
- Attach the detergent pick-up tube to the pump (Figure 16). (The attachment is next to the high pressure outlet.)

Figure 16 — Detergent pick-up tube attachment

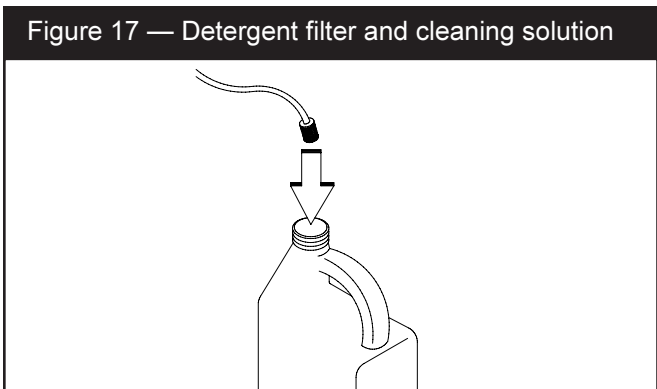


- Prepare the detergent solution as required by the manufacturer.

CAUTION! Keep the chemical injection tube from coming in contact with the hot muffler. This will damage the chemical injection tube. When inserting the filter into the chemical bottle, route the tube so as to keep it from inadvertently contacting the hot muffler.

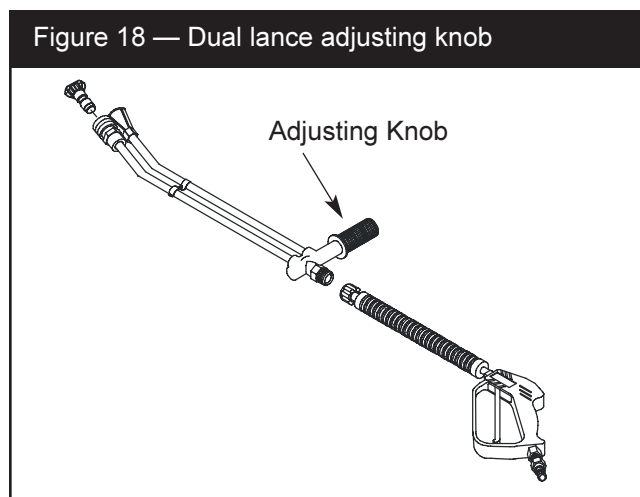


- Place small filter of the clear detergent siphoning tube into the detergent container (Figure 17).



IMPORTANT: Detergent cannot be applied without water source turned **ON**.

- Open the adjusting knob fully on the gun by turning it counterclockwise (Figure 18).



- Make sure the garden hose is connected to the water inlet. Check that the high pressure hose is connected to the spray gun and the pump and start the engine.
- Apply the detergent to a dry surface, starting at the lower portion of the area to be washed and work upward, using long, even, overlapping strokes. Do not allow the detergent to dry. This will prevent streaking.
- Allow the detergent to soak in between 3-5 minutes before washing and rinsing. Reapply as needed to prevent surface from drying.

Note: You cannot adjust the concentration of the chemical.

Pressure Washer Rinsing



WARNING! Be extremely careful if you must use the pressure washer from a ladder, scaffolding or any other relatively unstable location. Pressure in a running washer builds as you climb. When you press the trigger, the recoil from the initial spray could force you to fall. The high pressure spray could also force you to fall if you are too close to the cleaning surface.

Note: If you get the spray nozzle too close, you may damage the cleaning surface.

- Initially clean a small area and then check the surface for damage. If no damage is found, You can assume it is okay to continue cleaning.
- For rinsing, close the adjustment knob fully and wait for detergent to clear. Start at the top of area to be rinsed, working down with the same action as for cleaning.
- You can also stop detergent from flowing by simply removing siphon from bottle.

Automatic Cool Down System

(also known as Thermal Relief)

If you run the engine on your pressure washer for 3-5 minutes without pressing the trigger on the spray gun, circulating water in the pump can reach temperatures between 140°-145°F. When the water reaches this temperature, the automatic cool down system engages and cools the pump by **discharging the warm water onto the base and ground**. This system prevents internal damage to the pump.

GENERAL MAINTENANCE RECOMMENDATIONS

The warranty of the high pressure washer does not cover items that have been subjected to operator abuse or negligence. To receive the full value from the warranty, the operator must maintain the high pressure washer as instructed in this manual.

- Some adjustments will need to be made periodically to properly maintain your high pressure washer.
- All adjustments in the Service and Adjustments section of this manual should be made at least once each season.



- Once a year you should clean or replace the spark plug and clean or replace the air filter and check the gun and wand assembly for wear. A new spark plug and clean air filter assure proper fuel-air mixture and help your engine run better and last longer.

Before Each Use

- Check engine oil level.
- Check pump oil level.
- Check inlet screen for damage.
- Check high pressure hose for leaks.
- Check detergent inlet hose and filter for damage.
- Check gun and wand assembly for leaks.
- Rinse out garden hose to flush out debris.

PRESSURE WASHER MAINTENANCE

Check and Clean Inlet Screen

Examine the screen on the water inlet. Clean it if the screen is clogged or replace it if screen is damaged.

Check High Pressure Hose

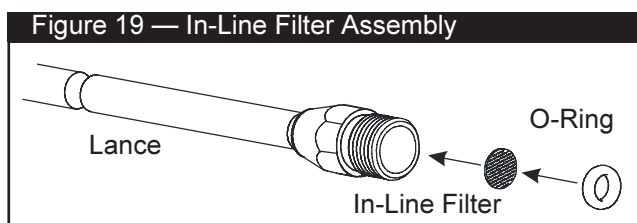
The high pressure hose can develop leaks form wear, kinking, or abuse. Inspect the hose each time before using it. Check for cuts, leaks, abrasions or bulging of cover, damage or movement of couplings. If any of these conditions exist, replace the hose immediately.



DANGER! Water spraying from a leak is capable of injecting material into skin. Inspect hose each time before using it. Never repair a high pressure hose. Replace it with another hose that meets the maximum pressure rating of your pressure washer.

Check In-Line Filter

Refer to Figure 19 and service the in-line filter if it becomes clogged, as follows:



1. Detach gun and lance from high pressure hose. Detach lance from gun and remove o-ring and screen from lance. Flush the screen, gun and lance with clean water to clear debris.
2. If the screen is damaged, the o-ring kit contains a replacement in-line filter screen and o-ring. If undamaged, reuse screen.
3. Place the in-line filter screen into the threaded end of the lance. Direction does not matter. Push the screen in with the eraser end of a pencil until it rests flat at the bottom of the opening. Take care to not bend the screen.
4. Place the o-ring into the recess. Push the o-ring snugly against the in-line filter screen.
5. Assemble the lance to the spray gun, as described earlier in this manual.

Check Gun and Wand

Examine the hose connection to the gun and make sure it is secure. Test the trigger by pressing it and making sure it springs back into place when you release it. Put the safety latch in the **ON** position and test the trigger. You should not be able to press the trigger.

Check Detergent Hose

Examine the filter on the detergent hose and clean if clogged. The tube should fit tightly on the barbed fitting. Examine the tube for leaks or tears. Replace the filter or tube if either is damaged.

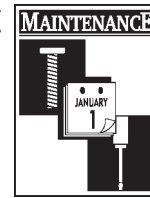
Purge Pump of Air and Contaminants

To remove the air from the pump, follow these steps:

- Set up the pressure washer as described in "Preparing the Pressure Washer for Use" (Pages 6-8) and connect the water supply.
- Remove the wand extension form the gun.
- Pull the trigger on the gun and hold.

To remove the contaminants form the pump, follow these steps:

- Set up the pressure washer as described in "How to Use Your Pressure Washer" (Page 10), and connect the water supply.



- Remove the nozzle attachment from the gun.
- Start the engine. (See How To Start Your Engine Page 10.)
- Squeeze the trigger on the gun and hold.
- When the water supply is steady and constant, engage the safety latch and refasten the nozzle attachment.

Cleaning Chemical Injection Tube

If you have used the chemical injection tube you must flush it with clean water before stopping the engine.

- Place the injector filter into a pail of clean water while running pressure washer with nozzle in low pressure mode. (Adjusting knob on the gun assembly is open fully.) Flush for five minutes.
- Shut off the engine. (See “How to Stop Your Pressure Washer” on page 12).

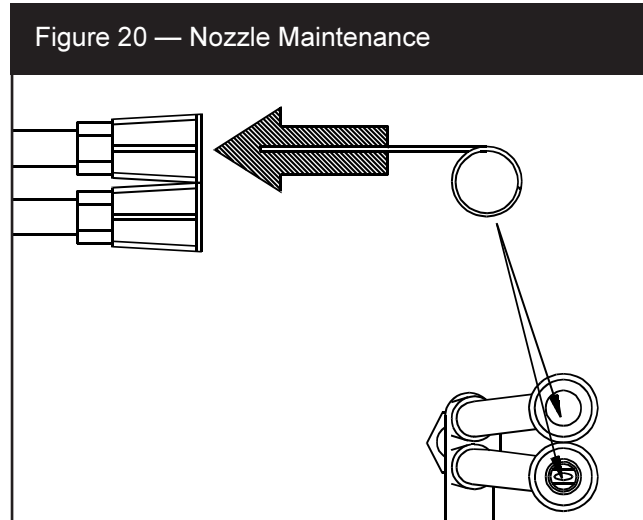
Important: Simply shutting OFF the engine will not release pressure in the system. When the engine has shut down, **squeeze the trigger on the gun to relieve pressure in the hose.**

Nozzle Maintenance

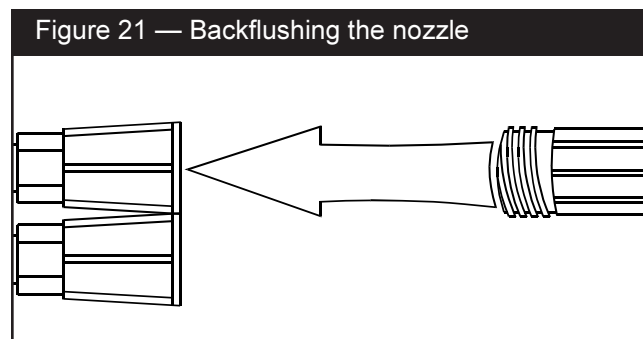
If the nozzle becomes restricted or clogged with foreign materials, such as dirt, excessive pump pressure may develop. If the nozzle becomes partially clogged, it may cause a pulsating sensation during use. This generally is not a pump related problem, but rather a clogged or partially restricted nozzle.

If the nozzle becomes clogged or partially restricted, immediately clean the nozzle with the kit included with your pressure washer by following these instructions:

- Shut off the engine and turn off the water supply.
- Press trigger to relieve pressure.
- Remove the lance from the gun.
- Use the wire included in the kit or a small paper clip to free the foreign materials clogging or restricting the nozzle (Figure 20).



- Remove additional debris by back flushing water supply through the nozzle holder (Figure 21). Back flush between 30 and 60 seconds.

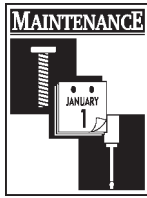


- Reconnect the lance to the gun.
- Reconnect the water supply, turn on the water completely and start the engine.
- Test the pressure washer by operating with nozzle in the high and in the low position.

ENGINE MAINTENANCE

See Engine Owner’s Manual for Information on how to properly maintain the engine.

It describes how to check the oil level, as well as change the oil, how to service the air cleaner, replace the spark plug and clean the spark arrestor screen.



SERVICE AND ADJUSTMENTS

See the Engine Owner's Manual for instructions on how to properly service and adjust the engine.


PREPARING THE UNIT FOR STORAGE

Water should not remain in the unit for long periods of time. Sediments of minerals can deposit on the pump parts and "freeze" pump action. If you do not plan to use the pressure washer for more than 30 days, follow this procedure:

1. Flush detergent hose by placing the injector filter into a pail of clean water while running pressure washer with nozzle in low pressure mode. Flush for five minutes.
2. Shut off the engine and let it cool, then remove all the hoses.
3. Place the engine switch in the OFF position.

CAUTION! Be sure switch is in **OFF** position before you continue. If you start the engine without the proper water supply connected, you can damage pump.

4. Empty the pump of all water by pulling the recoil handle about 6 times. This should remove most of the liquid in the pump.

 **NOTE:** To protect the unit from freezing temperatures, draw windshield washer fluid into the pump by pouring windshield washer fluid into a 3-foot section of garden hose connected to the inlet adapter and pulling the recoil handle twice.

5. Store in a clean dry place

Preparing The Engine For Storage



WARNING! NEVER store engine with fuel in the tank indoors or in enclosed, poorly ventilated areas where fumes may reach an open flame, spark or pilot light as on a furnace, water heater, clothes dryer or other gas appliance.

Consult engine owner's manual for information on how to properly prepare the engine for storage.

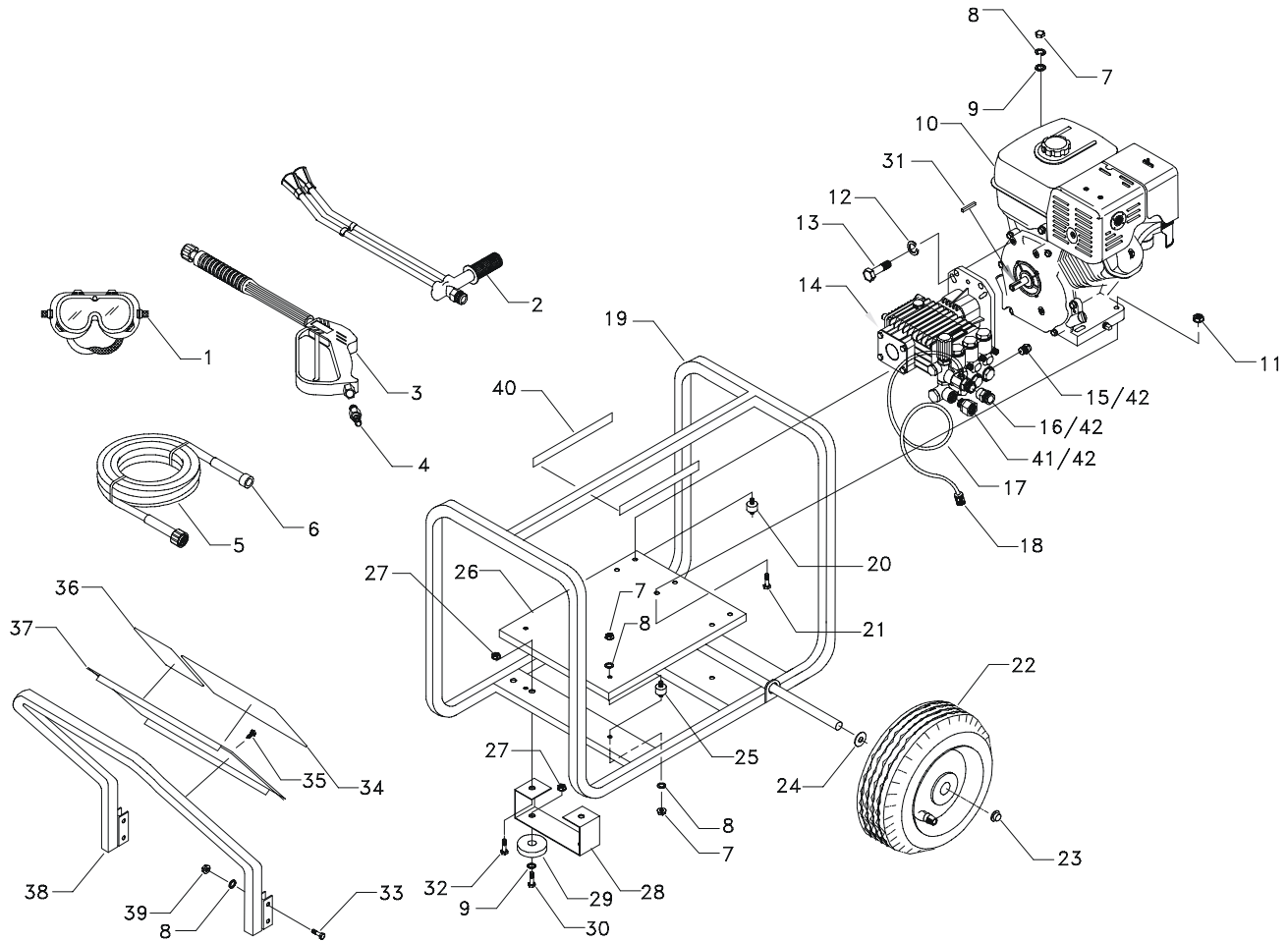


TROUBLESHOOTING

Problem	Cause	Correction
<p>Pump has following problems: failure to produce pressure, erratic pressure, chattering, loss of pressure, low water volume.</p>	<ol style="list-style-type: none"> 1. Nozzle in low pressure mode. 2. Water inlet is blocked. 3. Inadequate water supply. 4. Inlet hose is kinked or leaking. 5. Clogged inlet hose strainer. 6. Water supply is over 140°F. 7. Outlet hose is blocked or leaks. 8. Gun leaks. 9. Nozzle is obstructed. 10. Pump is faulty. 	<ol style="list-style-type: none"> 1. Pull nozzle backward for high pressure mode. 2. Clear inlet 3. Provide adequate water flow. 4. Straighten inlet hose, patch leak. 5. Check and clean inlet hose strainer. 6. Provide cooler water supply. 7. Clear blocks in outlet hose. 8. Replace gun. 9. Clean nozzle. 10. Contact Generac service facility.
<p>Detergent fails to mix with spray.</p>	<ol style="list-style-type: none"> 1. Chemical injection tube is not submerged. 2. Chemical filter is clogged. 3. High pressure nozzle attached. 	<ol style="list-style-type: none"> 1. Insert chemical injection tube into detergent. 2. Clean or replace filter/detergent siphoning tube. 3. Use low pressure, black chemical nozzle to apply detergent.
<p>Engine runs good at no-load but "bogs" when load is added.</p>	<p>Engine speed is too slow.</p>	<p>Move throttle control to FAST position. If engine still "bogs down" contact Honda service facility.</p>
<p>Engine will not start; or starts and runs rough.</p>	<ol style="list-style-type: none"> 1. Low oil level. 2. Dirty air cleaner. 3. Out of gasoline. 4. Stale gasoline. 5. Spark plug wire not connected to spark plug. 6. Bad spark plug. 7. Water in gasoline. 8. Overchoking. 9. Excessively rich fuel mixture. 10. Intake valve stuck open or closed. 11. Engine has lost compression. 	<ol style="list-style-type: none"> 1. Fill crankcase to proper level. 2. Clean or replace air cleaner. 3. Fill fuel tank. 4. Drain gas tank; fill with fresh fuel. 5. Connect wire to spark plug. 6. Replace spark plug. 7. Drain gas tank; fill with fresh fuel. 8. Open choke fully and crank engine. 9. Contact Honda service facility. 10. Contact Honda service facility. 11. Contact Honda service facility.
<p>Engine shuts down during operation.</p>	<ol style="list-style-type: none"> 1. Out of gasoline. 2. Low oil level. 	<ol style="list-style-type: none"> 1. Fill fuel tank. 2. Fill crankcase to proper level.
<p>Engine lacks power.</p>	<p>Dirty air filter.</p>	<p>Replace air filter.</p>
<p>Engine "hunts" or falters.</p>	<p>Choke is opened too soon.</p>	<p>Move choke to halfway position until engine runs smoothly.</p>



EXPLODED VIEW- MAIN UNIT



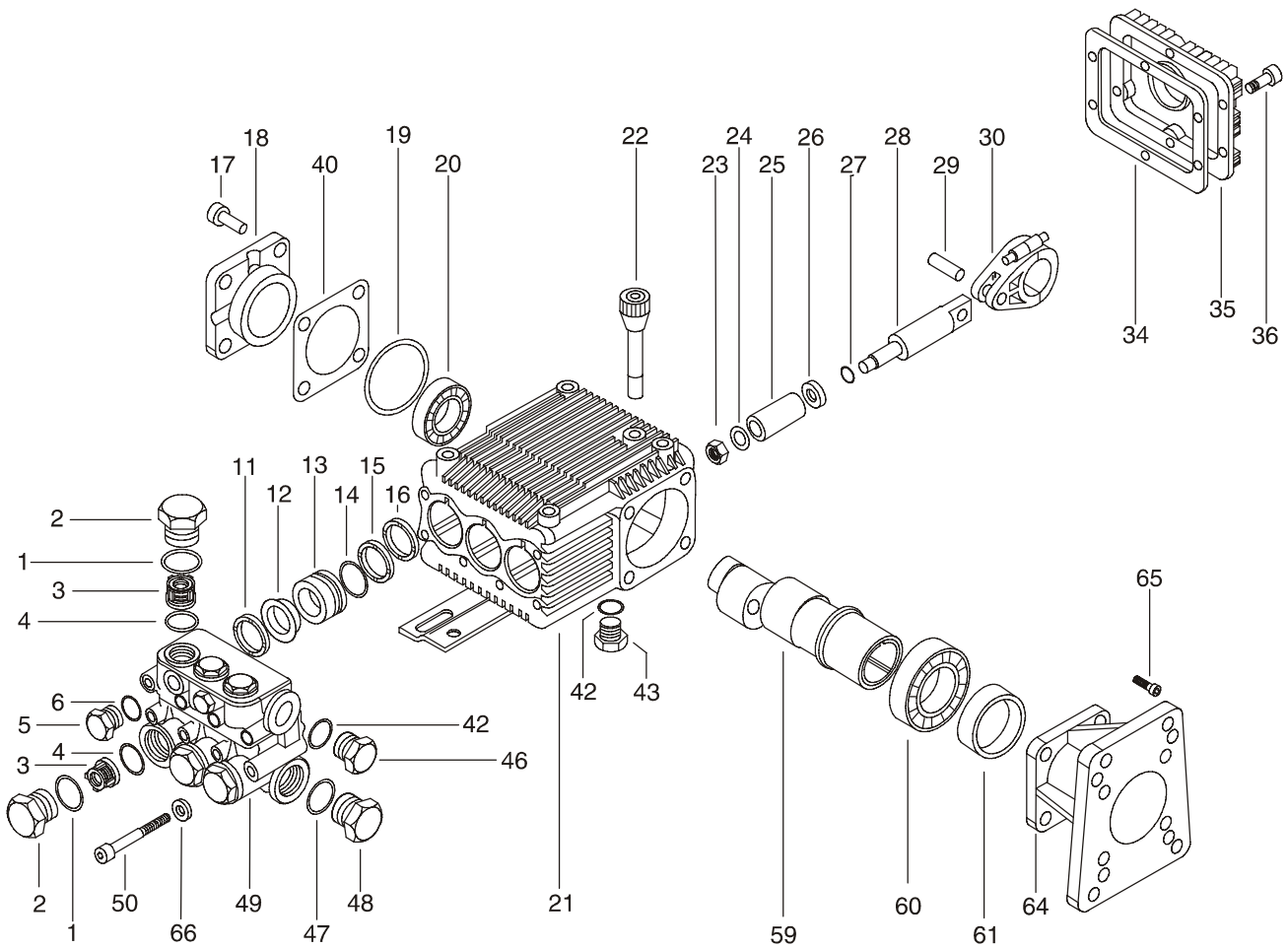


PARTS LIST-MAIN UNIT

Item	Part No.	Qty.	Description	Item	Part No.	Qty.	Description
1	87815	1	Safety Goggles	23	75402	2	Pushnut .5"
2	B2140E	1	Dual Lance Extension	24	49808	2	Washer M12
3	B1862	1	Gun W/Moulded Grip	25	82857	3	Vibration Mount
4	95459	1	Quick Disconnect For Gun	26	B1482	1	Engine Base
5	B1411	1	Hose (3600PSI)	27	52858	4	Lock Nut M8x1.25
6	95458	1	Quick Disconnect For Hose	28	B1444	1	Cradle Support
7	22259	8	Hex Nut 5/16-18	29	27007	2	Vibration Mount
8	22129	12	Lockwasher	30	42909	2	Screw M8x1.25
9	50190	7	Washer 10GA	31	63281	1	Key, 1/4" SQx2" LG
10	NSP	1	Honda Engine	32	39253	2	Screw M8x1.25
11	52859	3	Locking Nut M10	33	51731	4	Screw M8x1.25
12	22237	4	Lockwasher	34	B1471	1	Logo Decal
13	23645	4	Bolt 3/8-1x1/4 LG	35	86292	4	Self Drilling Screws
14	B1410	1	Annovi Pump	36	B1472	1	Starting Instruction Decal
15	B1554	1	Termal Relief	37	B1451	1	Billboard Panel
16	95457	1	Adaptor 3/8" NPT-M22	38	93393B	1	Handle
17	A1040C	1	Chemical Hose	39	45771	4	Hex Nut M8x1.25
18	A1041	1	Hose Filter	40	93221	2	M. C. Decal
19	B1442	1	Cradle 1040-0	41	95320	1	Connector, Garden Hose
20	92609	1	Vibration Mount 1.5"				
21	64416	3	Bolt M10-1.5"x45mm LG				
22	88521	2	Wheel 10"				



EXPLODED VIEW-PUMP





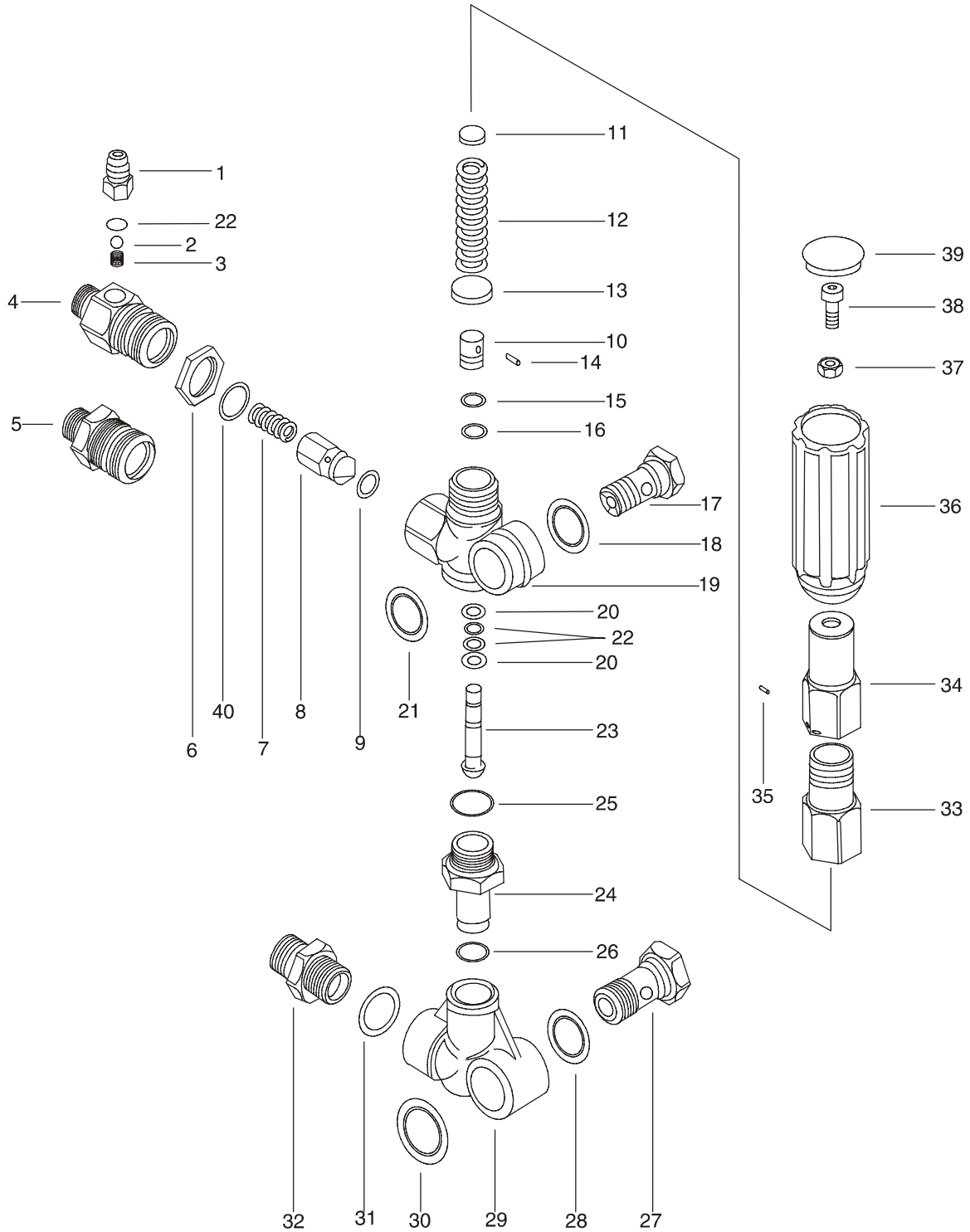
PARTS LIST-PUMP

Item	Part No.	Qty.	Description	Item	Part No.	Qty.	Description
1	100-B2327	6	O-Ring 17.86x2.62	36	128-B2327	6	Screw TCEI M5x16
2	101-B1410	6	Valve Plug (XRV H)	40	132-B2327	1	Shim 0,1mm
3	102-B2327	6	Complete Valve	42	134-B2327	2	O-Ring 14x1.78
4	103-B2327	6	O-Ring 15.54x2.62	43	135-B2327	1	Plug 3/8"
5	104-B1410	2	Plug 1/4"	46	135-B2327	1	Plug 3/8"
6	105-B2327	2	O-Ring 10.82x1.78				(Model XRV)
11	106-B2327	3	Support Ring 18	46	136-B2327	1	Plug 3/8"
12	107-B2327	3	Gasket 18				(Model XRV H)
13	108-B2327	3	Piston Guide	47	137-B2327	1	O-Ring 17.5x2
14	109-B2327	3	O-Ring 31.47x1.78	48	134-B2126	1	Plug 1/2" G
15	110-B2327	3	Gasket 18				(Model XRV)
16	111-B2327	3	Seal 20x28x6	48	138-B2327	1	Plug 1.2" G
17	112-B2327	8	Srew TCEI M8x16				(Model XRV H)
18	113-B2327	1	Closed Bearing Support	49	135-B1410	1	Pump Head
19	114-B2327	1	O-Ring 60x2.62	49	139-B2327	1	Pump Head
20	115-B2327	1	Bearing 30205A				(Model XRV H)
			25x52x16.25	50	140-B2327	8	Screw TCEI M8x70
21	116-B2327	1	Pump Housing	59	142-B1410	1	Hollow Shaft 1"
22	117-B2327	1	Oil Cap	60	137-B1410	1	Bearing
23	118-B2327	3	Piston Nut Seal				32008x40x68x19
24	119-B2327	3	Washer 8.4x17x1	61	138-B1410	1	Seal 40x55x7 BA
25	120-B2327	3	Piston 18	62	139-B1410	1	O-Ring 72,75x1.78
26	121-B2327	3	Spacer	64	150-B2126	1	Flange for gas/diesel engine
27	122-B1410	3	O-Ring 9.25x1.78				
28	123-B2327	3	Guarding Piston	65	155-B2327	4	Screw TCEI M8x20
29	124-B2327	3	Piston Pin 10x25.5	66	145-B1410	8	Washer
30	125-B2327	3	Con Rod (Bronze)		148-B1410	1	Complete Unloader
34	126-B2327	1	Gasket Cover				(Not Shown)
35	127-B2327	1	Rear Cover				

A		B		C		D		E	
200-B1410 Valve Kit		201-B1410 Piston Kit		202-B1410 Oil Seal Kit		203-B1410 Water Seal Kit		204-B1410 Support Ring Kit	
Item	Qty.	Item	Qty.	Item	Qty.	Item	Qty.	Item	Qty.
3	6	25	3	16	3	12	3	11	3
4	6			19	1	14	3		
				34	1	15	3		
				61	1				
				62	1				



EXPLODED VIEW-UNLOADER





PARTSLIST-UNLOADER

Item	Part No.	Qty.	Description	Item	Part No.	Qty.	Description
1	210-B2327	1	Hose Tail	22	231-B2327	3	O-Ring
2	211-B2327	1	Stainless Steel Ball	23	232-B2327	1	Lower Piston
3	212-B2327	1	Spring	24	233-B2327	1	Piston Guide
4	213-B1410	1	Injector Body	25	234-B2327	1	O-Ring
5			Not Used	26	235-B2327	1	O-Ring
6	215-B2327	1	Injector Nut	27	236-B2327	1	Inlet Bolt
7	216-B2327	1	Spring	28	237-B2327	1	Washer
8	217-B2327	1	Plunger	29	238-B2327	1	Lower By-Pass Fitting
9	218-B2327	1	O-Ring	30	239-B2327	1	Washer
10	219-B2327	1	Upper Piston	31	240-B2327	1	O-Ring
11	220-B2327	1	Spacer Plate	32	241-B2327	1	Suction Fitting
12	221-B2327	1	Spring	33	242-B2327	1	Spring Guide
13	222-B2327	1	Spring, Spacer Plate	34	243-B2327	1	Pressure Adjusting Screw
14	223-B2327	1	Pin	35	244-B2327	1	Pin
15	224-B2327	1	Ring	36	245-B2327	1	Pressure Adjusting Knob
16	225-B2327	1	O-Ring	37	246-B2327	1	Nut
17	226-B2327	1	Inlet Bolt	38	155-B2327	1	Screw
18	227-B2327	1	Washer	39	248-B2327	1	Plug
19	228-B2327	1	Valve Housing	40	137-B2327	1	O-Ring
20	229-B2327	2	Ring				
21	230-B2327	1	Washer				

KIT #2611 or GYMATIC 3/B					
Item	Qty.	Item	Qty.	Item	Qty.
9	1	21	1	30	1
15	1	22	3	31	1
16	1	25	1	40	1
18	1	26	1		
20	2	28	1		

Limited Pressure Washer Warranty

Generac Portable Products LLC (hereafter referred to as GENERAC LLC) warrants to the original retail purchaser, the pressure washer manufactured by GENERAC LLC to be free from defects in material and workmanship for the period(s) set forth below from the date of original purchase. This warranty is not transferable. The term "original purchaser" means the person for whom the pressure washer is originally purchased.

Warranty Schedules

Electric Power Washer	1 year (does not apply to commercial or rental applications)		
		CONSUMER*	COMMERCIAL*
All Other Engine-driven	Engine:	Warranted solely by Engine Manufacturer	Warranted solely by Engine Manufacturer
	Pump:	1 year	90 days

*** NOTE: For the purpose of this warranty "consumer use" means personal residential household use by original purchaser. "Commercial Use" means all other uses, including rental, construction, commercial and income producing purposes. Once a pressure washer has experienced commercial use, it shall thereafter be considered a commercial use pressure washer for the purposes of this warranty.**

During said warranty period, GENERAC LLC will, at its option, repair or replace any part which, upon examination by GENERAC LLC or GENERAC LLC Authorized Dealers, is found to be defective under normal use and service**. All transportation costs under warranty, including return to the factory if necessary, are to be borne by the purchaser and prepaid by the purchaser.

**** NORMAL WEAR: As with all mechanical devices, pressure washers need periodic parts service and replacement to perform well. This warranty does not cover repair when normal use has exhausted the life of a part or pressure washer pump.**

This warranty does not include: Used products and demonstration equipment. Parts, such as GUNS, HOSES, WANDS, NOZZLES or other wear items such as quick couplers, oil, gauges, belts, o-rings, filters, pump packing, etc. Pumps which have been run without water supplied. Damage or malfunctions resulting from: accidents, abuse, modifications, alterations, or improper servicing. Freezing or chemical deterioration. Normal maintenance such as adjustments, fuel system cleaning and obstruction (due to chemical, dirt, carbon or lime, etc.).

THIS WARRANTY IS IN PLACE OF ALL OTHER WARRANTIES, EXPRESS OR IMPLIED, SPECIFICALLY, GENERAC LLC MAKES NO OTHER WARRANTIES AS TO MERCHANTABILITY OR FITNESS FOR A PARTICULAR PURPOSE. THE DURATION OF ANY IMPLIED WARRANTIES WHICH CANNOT BE DISCLAIMED IS LIMITED TO THE TIME PERIOD AS SPECIFIED IN THE EXPRESS WARRANTY. LIABILITY FOR CONSEQUENTIAL, INCIDENTAL, OR SPECIAL DAMAGES UNDER ANY AND ALL WARRANTIES IS EXCLUDED, EVEN IF SUCH DAMAGES ARE A DIRECT RESULT OF GENERAC LLC'S NEGLIGENCE. GENERAC LLC ALSO DISCLAIMS ANY RESPONSIBILITY FOR INCIDENTAL OR CONSEQUENTIAL DAMAGES SUCH AS THE LOSS OF TIME OR THE USE OF THE POWER EQUIPMENT, OR ANY COMMERCIAL LOSS DUE TO THE FAILURE OF THE EQUIPMENT: AND ANY IMPLIED WARRANTIES ARE LIMITED TO THE DURATION OF THIS WRITTEN WARRANTY.

Some states do not allow limitations on how long an implied warranty lasts, or the exclusion or limitation of incidental or consequential damages, so the above limitations or exclusions may not apply to you. This warranty gives you specific legal rights and you may also have other rights, which vary from state to state.

For service, see your nearest GENERAC LLC authorized warranty service facility or call 1-877-544-0982. Warranty service can be performed only by a GENERAC LLC authorized service facility. This warranty will not apply to service at any other facility. At the time of requesting warranty service, evidence of original purchase date must be presented.

Generac Portable Products LLC

Jefferson, Wisconsin U.S. A.