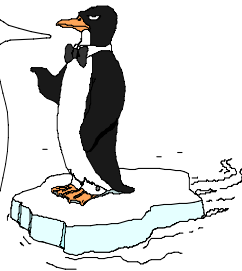


1500 PSI GENERAC

The Reliable Ones
High Pressure Washer
Owner's Manual

**Problems?
Questions?**
Before taking your unit
back to the store,
call the pressure washer
helpline at
1-800-270-1408
M-F 8-5 CST

This pressure
washer is
equipped with an
Automatic Cool
Down System.
See page 11 for
details



Model No. 1067-0 (1500 PSI High Pressure Washer) Manual No. B1915 Revision 0 (11/7/97)



This symbol points out important safety instructions, which, if not followed, could endanger the personal safety and/or property of yourself and others. Read and follow all instructions in the manual before attempting to operate this unit.



CAUTION: Always disconnect spark plug wire and place wire where it cannot contact spark plug to prevent accidental starting when setting up, transporting, adjusting or making repairs to your high pressure washer.

- Engine exhaust gases contain DEADLY carbon monoxide gas. This dangerous gas, if breathed in sufficient concentrations, can cause unconsciousness or even death. Operate this equipment only in the open air where adequate ventilation is available.



WARNING:



The engine exhaust from this product contains chemicals known to the State of California to cause cancer, birth defects, or other reproductive harm.

- Gasoline is highly FLAMMABLE and its vapors are EXPLOSIVE. Do not permit smoking, open flames, sparks or heat in the vicinity while handling gasoline. Avoid spilling gasoline on a hot engine. Allow unit to cool for 2 minutes before refueling. Comply with all laws regulating storage and handling of gasoline.
- Locate this pressure washer in areas away from combustible materials, combustible fumes or dust.
- The high pressure equipment is designed to be used with Generac authorized parts only. If you use this equipment with parts that do not comply with minimum specifications, the user assumes all risks and liabilities.
- Some chemicals or detergents may be harmful if inhaled or ingested, causing severe nausea, fainting or poisoning. The harmful elements may cause property damage or severe injury.
- Do not allow CHILDREN to operate the Pressure Washer at any time.
- Operate engine only at governed speed. Running the engine at excessive speeds increases the hazard of personal injury. Do not tamper with parts which may increase or decrease the governed speed.
- Do not wear loose clothing, jewelry or anything that may be caught in the starter or other rotating parts.
- Before starting the Pressure Washer in cold weather, check all parts of the equipment and be sure ice has not formed there.
- Units with broken or missing parts, or without protective housing or covers should NEVER be operated.
- The muffler and air cleaner must be installed and in good condition before operating the Pressure Washer. These components act as spark arrestors if the engine backfires.
- Check the fuel system for leaks or signs of deterioration such as chafed or spongy hose, loose or missing clamps or damaged tank or cap. Correct all defects before operating the Pressure Washer.
- Do not spray flammable liquids.
- Never aim the gun at people, animals or plants.
- High pressure spray can cause paint chips or other particles to become airborne and fly at high speeds.
- Never allow any part of the body to come in contact with the fluid stream. DO NOT come in contact with a fluid stream created by a leak in the high pressure hose.
- High pressure stream of water that this equipment produces can pierce skin and its underlying tissues, leading to serious injury and possible amputation.
- Always wear eye protection when you use this equipment or when you are in the vicinity where the equipment is in use.
- Operate the pressure at no more than the PSI fluid pressure rated for your pressure washer.
- Never move the machine by pulling on the high pressure hose. Use the handle provided on the top of the unit.
- Always be certain the spray gun, nozzles and accessories are correctly attached.
- Never use a spray gun which does not have a trigger lock or trigger guard in place and in working order.
- Use a respirator or mask whenever there is a chance that vapors may be inhaled. Read all instructions with mask so you are certain the mask will provide the necessary protection against inhaling harmful vapors.
- High pressure spray may damage fragile items including glass. Do not point spray gun at glass when in the jet spray mode.
- Keep the hose connected to machine or the spray gun while the system is pressurized. Disconnecting the hose while the unit is pressurized is dangerous.
- Hold the spray gun firmly in your hand before you start the unit. Failure to do so could result in an injury from a whipping spray gun. Do not leave the spray gun unattended while the machine is running.
- The cleaning area should have adequate slopes and drainage to reduce the possibility of a fall due to slippery surfaces.
- Keep water spray away from electric wiring or fatal electric shock may result.
- Do not secure trigger gun in the pull-back (open) position.
- Do not by-pass any safety device on this machine.
- The muffler and engine heat up during operation and remain hot immediately after shutting it down. Avoid contact with a hot muffler or engine or you could be severely burned.
- Operate and store this unit on a stable surface.
- High pressure hose can develop leaks from wear, kinking, abuse, etc. Water spraying from a leak is capable of injecting material into skin. Inspect hose each time before using it. Check all hoses for cuts, leaks, abrasions or bulging of cover, or damage or movement of couplings. If any of these conditions exist, replace hose immediately. Never repair high pressure hose. Replace it with another hose that meets minimum pressure rating of your pressure washer.



CONGRATULATIONS on your purchase of a GENERAC high pressure washer. It has been designed, engineered and manufactured to give you the best possible dependability and performance.

Should you experience any problem you cannot easily remedy, please contact your nearest GENERAC Authorized Service facility, or call the 1-800 number listed on the front of this manual. We have competent, well-trained technicians and the proper tools to service or repair this unit.

Please read and retain this manual. The instructions will enable you to assemble and maintain your high pressure washer properly.

Model Number	1067-0
Serial Number	_____
Date of Purchase	_____

The model and serial numbers will be found on a decal attached to the pressure washer. You could record both serial number and date of purchase and keep in a safe place for future reference.

CUSTOMER RESPONSIBILITIES

- Read and observe the safety rules.
- Follow regular schedule in maintaining, caring for and using your high pressure washer.
- Follow the instructions under "Customer Responsibilities" and "Storage" sections of this Owner's Manual.

PRODUCT SPECIFICATIONS

■ Pressure Washer Specifications

- Outlet Pressure** 1500 psi
- Flow Rate** 2.0 gallons per minute (gpm)
- Detergent Mix** Use undiluted detergent approved for pressure washers
- Water Supply Temperature** Not to Exceed 140°F
- Automatic Cool Down System** Will cycle when water reaches 140°-145°F

■ Engine specifications

- Engine Model** Briggs & Stratton Sprint
- Rated Horsepower** 3.75
- Displacement** 148cc
- Spark Plug**
 - Type** RJ-19LM
 - Set Gap To:** 0.030 inch (0.76mm)
- Gasoline Capacity** 1.0 U.S. quarts
- Oil** SAE 30

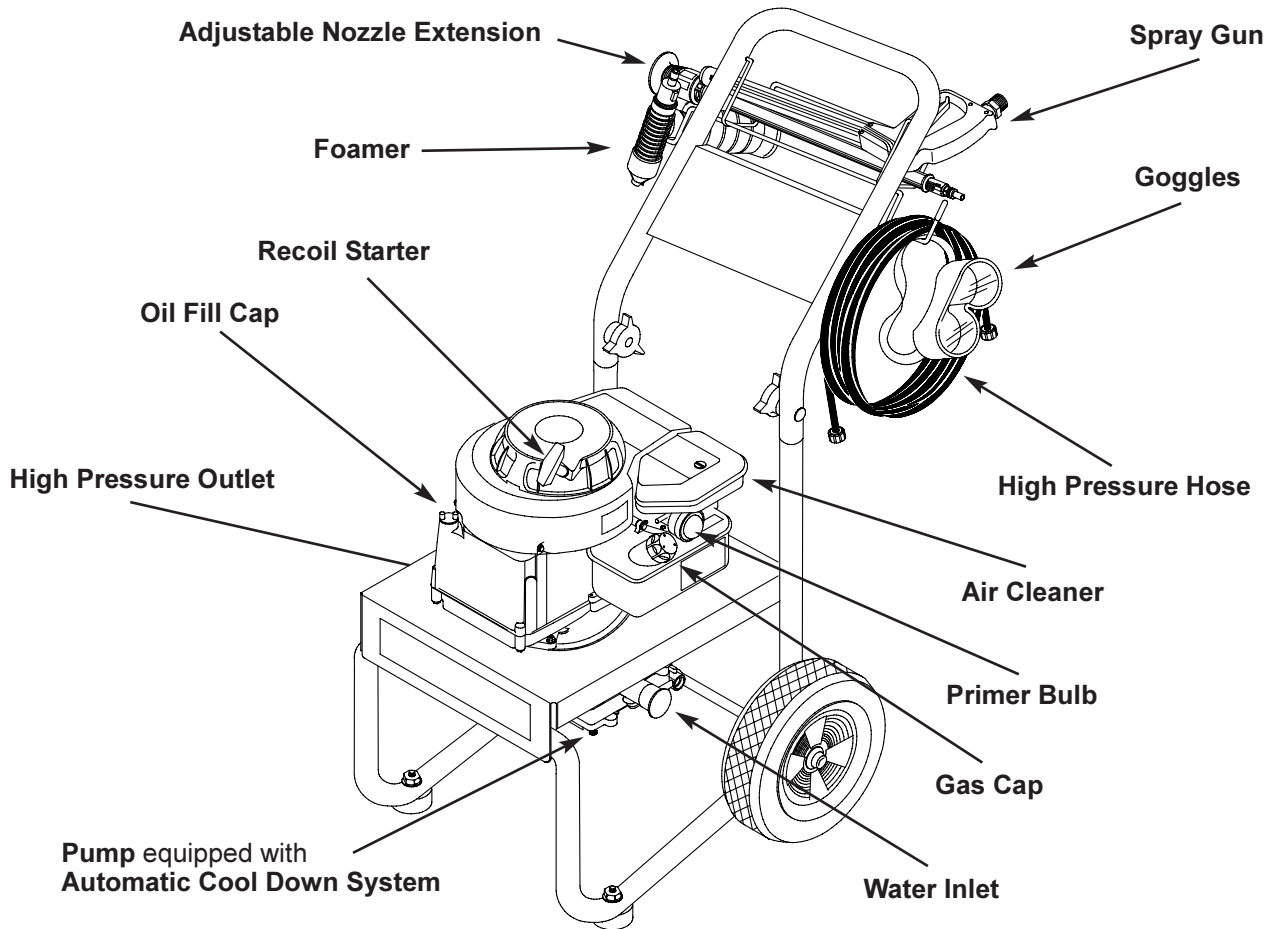
In the State of California a spark arrestor is required by law (Section 4442 of the California Public Resources Code). Other states may have similar laws. Federal laws apply on federal lands.

NOTE: If you equip the engine of your pressure washer with a spark arrestor muffler, the spark arrestor must be maintained in effective working order by the owner/operator.

You can order a spark arrestor through your authorized Generac service facility. See Engine Owner's Manual for part number.

KNOW YOUR PRESSURE WASHER

Read this owner's manual and safety rules before operating your high pressure washer. Compare the illustrations with your high pressure washer to familiarize yourself with the locations of various controls and adjustments. Save this manual for future reference.



Pump — Develops high pressure.

Recoil Starter — Used for starting the engine manually.

Spray Gun — Controls the application of water onto cleaning surface with trigger device. Includes safety latch.

Adjustable Nozzle Extension — You must attach this to the spray gun to provide high pressure stream. Adjustable nozzle allows you to adjust spray pattern.

Air Cleaner — Dry type filter element limits the amount of dirt and dust that gets in the engine.

High Pressure Outlet — Connection for high pressure hose.

Water Inlet — Connection for garden hose.

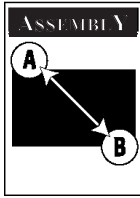
High Pressure Hose — Connect one end to water pump and the other end to spray wand.

Goggles — Always use the enclosed goggles or other eye protection when running your pressure washer.

Foamer — Used to apply detergent. Attaches to the spray gun.

Primer Bulb — Prepares a cold engine for starting.

Automatic Cool Down System — Cycles water through pump when water reaches 140°-145°F. **Warm water will discharge from pump onto ground. This system prevents internal pump damage.**



Read entire Owner's manual before you attempt to assemble or operate your new pressure washer. Your new pressure washer has been assembled at the factory with the exception of those parts left unassembled for shipping purposes.

REMOVE PRESSURE WASHER FROM CARTON

- Remove parts box included with pressure washer.
- Slice two corners at guide handle end of carton from top to bottom so the panel can be folded down flat, then remove all packing material.
- Roll pressure washer out of carton.

CARTON CONTENTS

Items in the carton include:

- Main Unit
- Parts Box (which includes the following):
 - Wireform
 - Goggles
 - Nozzle Cleaning Kit
 - Owner's Manual
 - Engine Manual
 - Spray Gun
 - Nozzle Extension
 - Spray Head
 - High Pressure Hose
 - Handle
 - Foamer Bottle
 - Parts Bag (which includes the following):
 - 2 carriage bolt
 - 2 knobs

If any of the above parts are missing or damaged, call the pressure washer helpline at **1-800-270-1408**.

PREPARING THE PRESSURE WASHER FOR USE

If you have any problems with the assembly of your pressure washer or if parts are missing or damaged, call the Pressure Washer Helpline at **1-800-270-1408**.

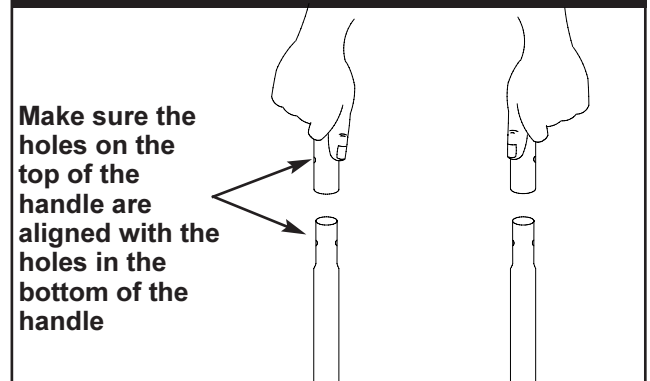
To prepare your pressure washer for operation you will need to perform these tasks:

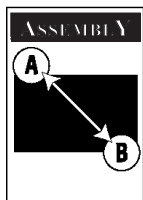
- Attach the handle and attach the wire form that holds high pressure hose and spray gun.
- Add oil to engine crankcase.
- Add fuel to fuel tank.
- Connect high pressure hose to the spray gun and the pump and connect water supply to the pump.

■ Attach the Handle

- Place the top of the handle onto the bottom of the handle already connected to the main unit making sure the holes in the top align with the holes on the bottom (Figure 1).

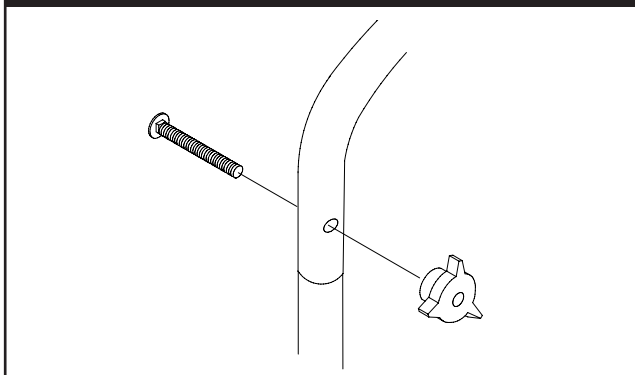
Figure 1 — Attach the top of the handle to the bottom of the handle.





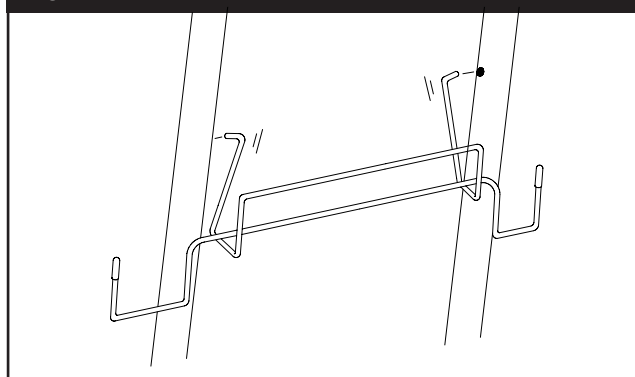
- Insert the carriage bolts through the holes (looking at the back of the pressure washer) as shown in Figure 2 and attach the plastic knobs. Tighten the knob by hand (Figure 2).

Figure 2 – Insert the carriage bolts and attach the knobs.



- Fit wire form on guide handle (Figure 3).

Figure 3 – Fit wire form on handle.

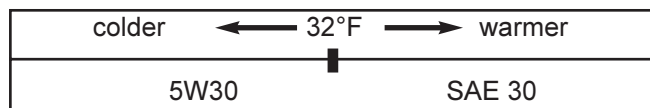


This view is from the **back** of the pressure washer.

■ Add Engine Oil

IMPORTANT: Any attempt to crank or start the engine before it has been properly serviced with the recommended oil may result in an engine failure.

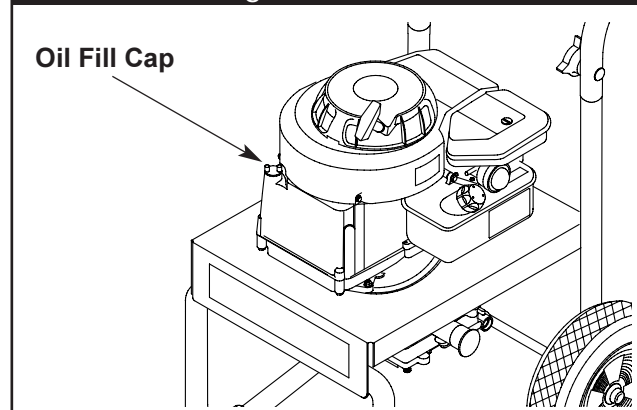
Note: When adding oil to the engine crankcase, use only high quality detergent oil rated with API service classification SF,SG, SH or SH/CD rated SAE 30 weight. Select the oil's viscosity grade according to your expected operating temperature. Do Not Use SAE 10W40 Oil.



Although multi-viscosity oils (5W30, 10W30, etc.) improve starting in cold weather, these multi-viscosity oils will result in increased oil consumption when used above 32°F. Check your engine oil level more frequently to avoid possible damage from running low on oil.

- Place pressure washer on a level surface.
- Clean area around oil fill and remove oil dipstick (Figure 4)

Figure 4 – Add oil to engine crankcase. Do not attempt to start engine without adding oil.



- Wipe dipstick clean. Pour oil into oil fill opening until oil reaches FULL mark on the dipstick. Stop occasionally to check oil level. **DO NOT OVERFILL.**
- Install oil dipstick, hand tighten securely.

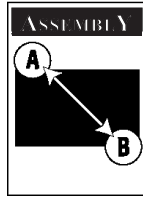
Note: Check Oil Often During Engine Break-in.

■ Add Gasoline

⚠ DANGER! Never fill fuel tank indoors. Never fill fuel tank when engine is running or hot. Do not smoke when filling fuel tank.

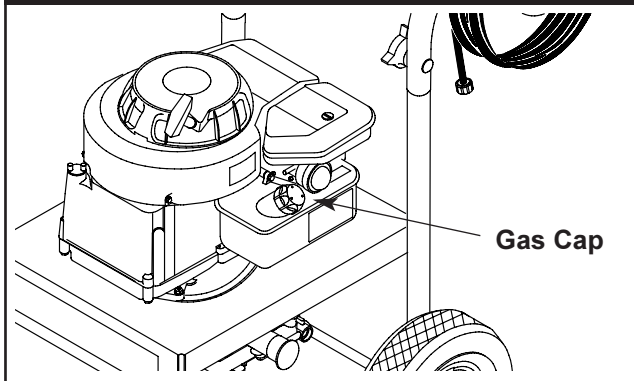
⚠ WARNING! Never fill fuel tank completely full. Fill tank to about 1/2" below the bottom of the filler neck to provide space for fuel expansion. Wipe away any fuel spillage from engine and equipment before starting.

The manufacturer recommends fresh, clean unleaded regular automotive gasoline.



- Use clean fuel and store in approved, clean covered containers. Use clean fill funnels. Never use “stale” gasoline left over from last season or gasoline stored for long periods.
- Clean area around fuel fill cap, remove cap (Figure 5).

Figure 5 – Add gasoline to fuel tank.



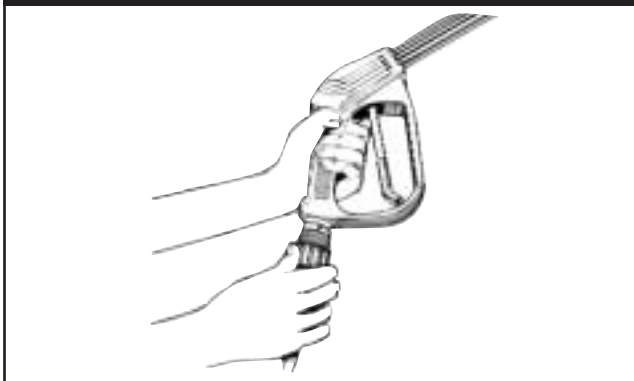
- Add “UNLEADED” regular gasoline, slowly, to fuel tank. Use a funnel to prevent spillage.
- Install fuel cap and wipe up any spilled gasoline.

■ Connect Hose and Water Supply to Pump

IMPORTANT: You must assemble wand and attach all hoses before you start engine. Starting engine without all hoses connected and water supplied will damage pump.

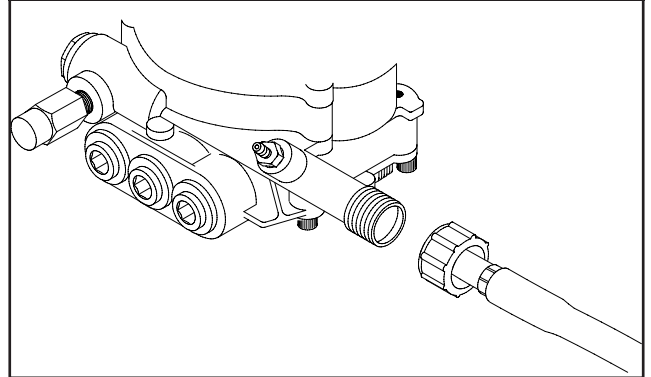
- Uncoil high pressure hose and attach one end of hose to the base of the spray gun (Figure 6). Tighten by hand.

Figure 6 – Connect high pressure hose to spray gun.



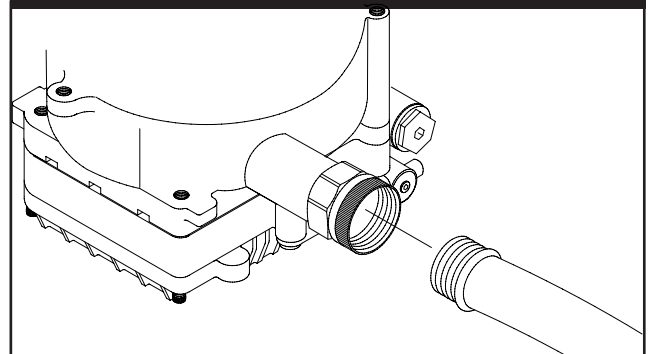
- Attach other end of high pressure hose to the high pressure fitting on the pump (Figure 7). Tighten by hand.

Figure 7 – Connect high pressure hose to pump.



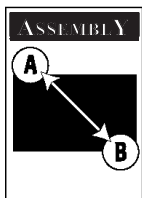
- Before you connect your garden hose to the water inlet, inspect the Inlet Screen (Figure 8). Clean the screen if it contains debris or have it replaced if it is damaged. **DO NOT RUN THE PRESSURE WASHER IF THE SCREEN IS DAMAGED.**
- Connect garden hose to water inlet. Tighten by hand (Figure 8).

Figure 8 – Connect the garden hose to water inlet and turn ON the water.



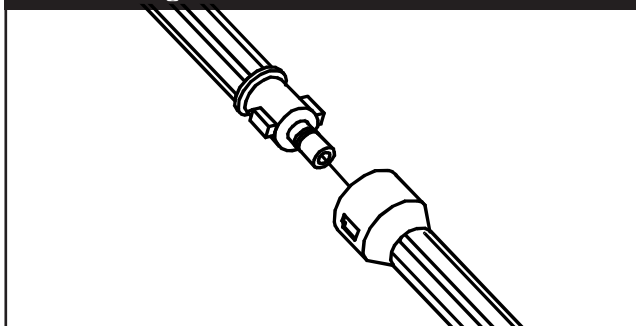
- Turn ON the water.
- Squeeze trigger on gun to purge pump system of air and impurities.

⚠ CAUTION: Before starting the pressure washer, be sure you are wearing adequate eye protection.



- Attach nozzle extension to spray gun by aligning the locking tabs on the extension with the grooves in the gun. Push extension inward and twist clockwise to lock in place (Figure 9).
- Screw on the adjustable nozzle to the nozzle extension. Tighten until it locks.

Figure 9 – Connect nozzle extension to spray gun.



CHECKLIST BEFORE STARTING ENGINE

If you have reached this point, look back over the assembly to see if you have performed all of the following.

- Check for properly tightened hose connections (high pressure and water supply) and for tight connections and that there are no kinks, cuts, or damage to the high pressure hose.
- Check that oil has been added to proper level in engine crankcase before trying to start the pressure washer.
- Add proper gasoline to fuel tank.
- Provide proper water supply (not to exceed 140°F).
- Be sure to read “Safety Rules” and “Operation sections before using the pressure washer.



HOW TO USE YOUR PRESSURE WASHER

If you have any problems operating your pressure washer, please call the pressure washer helpline at **1-800-270-1408**.

You have assembled your high pressure washer and have prepared the engine for starting. You are now ready to clean your car, boat, the outside of a building or whatever you plan to clean.

■ How to Start Your Engine

The best way to start your engine-powered pressure washer for the first time is to follow these instructions step-by-step. This starting information also applies whenever you start the engine after you have let the pressure washer sit idle for at least a day.

- Place the pressure washer in an area close enough to an outside water source that can flow at a rate of 2 gallons per minute.
- Check that the high pressure hose is tightly connected to the spray gun and to the pump. See ASSEMBLY section for illustrations.
- Connect the garden hose to water inlet on the pressure washer pump and **turn on the water**.

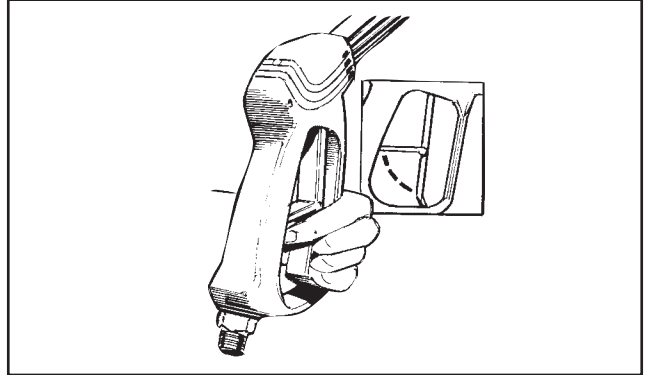
IMPORTANT: Do not run pump without the water supply connected and turned on. You must follow this caution or the pump will be damaged.

To start the engine for the first time:

- Squeeze the trigger on the spray gun to relieve the air pressure caused by turning ON the water. Water will spew out the gun in a thin stream. This will make it easier to pull start the engine. Release the trigger.
- Apply the safety latch to the spray gun trigger (Figure 10).
- Make sure the Engine Throttle Lever is in the “Fast” position.
- Push primer bulb firmly 5 times.
- Grasp rope handle and pull slowly until you feel some resistance. Then pull cord rapidly to overcome compression, prevent kickback and start the engine. Let rope return to starter slowly.

Note: Always keep the Throttle Control Lever in the ‘Fast’ position when operating the pressure washer.

Figure 10 – Squeeze trigger to relieve water pressure, release trigger and turn the safety latch ON.



To start engine thereafter:

- Squeeze the trigger on the spray gun to relieve the air pressure caused by turning ON the water. Water will spew out the gun in a thin stream. This will make it easier to pull start the engine. Release the trigger.
- Apply the safety latch to the spray gun trigger (Figure 10).
- Make sure the engine throttle control is in the “Fast” position.
- Press the primer bulb 3 times. **For a warm engine, do not prime.**
- Grasp rope handle and pull slowly until you feel some resistance. Then pull cord rapidly to overcome compression, prevent kickback and start the engine. Let rope return to starter slowly.
- If engine fails to start repeat steps.

■ How to Stop Your Pressure Washer

- Move the Throttle Control Lever to the ‘Slow’ position.
- Wait for the engine to idle down.
- Move the Throttle Lever to the ‘Stop’ position.
- Simply shutting off the engine will not release pressure in the system. **Squeeze trigger on the spray gun to relieve pressure in the hose.**

Note: A small amount of water will squirt out when you release the pressure.

■ How to Use the Adjustable Nozzle

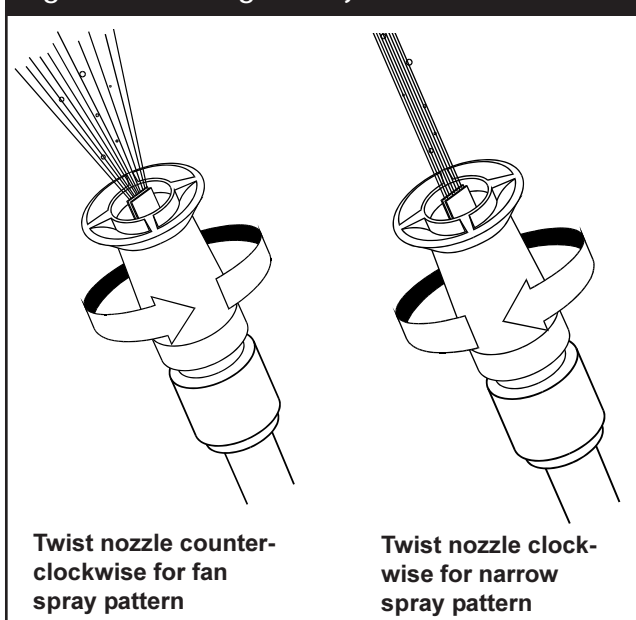
You now should know how to **START** your pressure washer and how to **STOP** it. The information in this section will tell you how to adjust the spray pattern and apply detergent or any other cleaning chemicals.

! DANGER! Never adjust spray pattern when spraying. Never put hands in front of nozzle to adjust spray pattern.

On the end of your spray gun is a nozzle that you can twist from side to side. With the adjustable nozzle you can adjust the spray configuration to be either concentrated in a stream or expanded into a fan pattern.

- Twist nozzle counterclockwise when you wish to produce an expanded stream. Twist nozzle clockwise to produce a narrow, concentrated stream (Figure 11).

Figure 11 – Using the adjustable nozzle.



- For most effective cleaning, keep spray nozzle between 8 to 24 inches away from cleaning surface.
- If you get spray nozzle too close, especially using high pressure mode, you may damage the cleaning surface.
- Do not get closer than 6 inches when cleaning automobile tires.

■ Applying Detergent with the Foamer

IMPORTANT: Use soaps designed specifically for pressure washers. Household detergents could damage the pump.

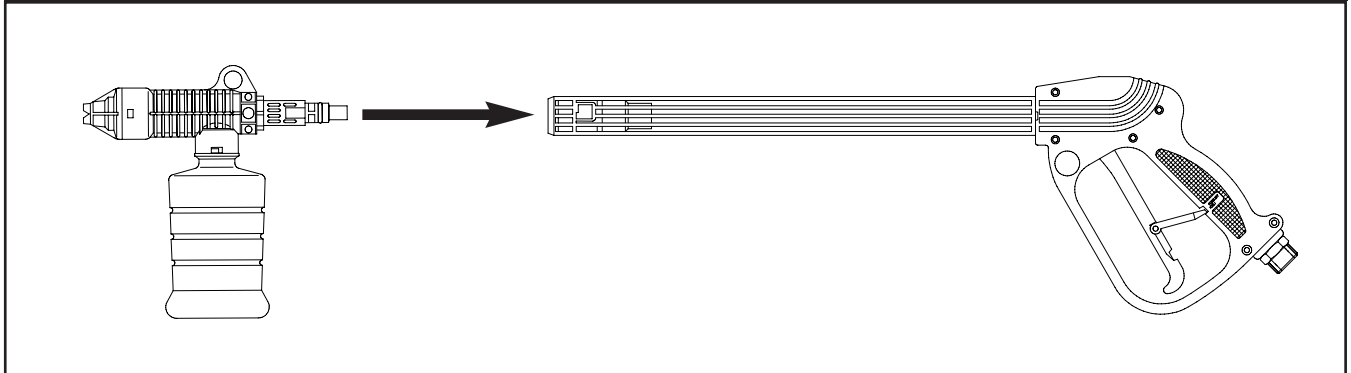
! DANGER: You must attach all hoses and the spray gun before you start the motor.

! WARNING: Before removing any spray gun extension, be sure to turn off the pressure washer and relieve pressure by pressing the trigger. You could be injured if you try to remove an extension if the pressure washer is running and there is pressure in the system.

Pressure washers are useful cleaning tools designed to clean almost any surface in two easy steps.

- The first step involves applying an appropriate detergent/solvent solution to penetrate and loosen grime. The detergent is applied at low pressure to avoid splashing, overspraying and waste. Leave the solution on surface for 3 to 5 minutes to allow solution to work.
- The second step involves cleaning the surface you have prepared with the pressure washer and then rinsing it clean.

Figure 12 – Connecting the Foamer.



To apply detergent follow these steps:

- Detach the nozzle extension by pushing in and turning it counterclockwise.
- Remove the bottle from the foamer.
- Align the locking tabs on the foamer with the groves in the gun. Push inward and twist clockwise to lock in place. (Note: make sure that the when you lock the foamer into place you have the hose that connects to the foamer bottle hanging downward.) See Figure 12.
- Prepare your detergent solution as required by your job and fill bottle with the solution.
- Attach bottle back onto foamer making sure the bottle hangs down.
- Start washer and apply detergent to a dry surface, starting from the bottom and working up.
- To rinse, you must, stop the pressure washer, remove the foamer and connect the adjustable nozzle extension.

NOTE: Detergents are most effective applied to a dry surface.

■ To Clean

Start at lower portion of area to be washed and work upward, using long, even overlapping strokes. Detergent or degreaser works best when you apply it to a dry surface first. Let it set for 3-5 minutes before washing and rinsing.

■ Rinse



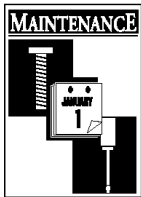
WARNING: Be extremely careful if you must use the pressure washer from a ladder, scaffolding or any other relatively unstable location. Pressure in a running washer builds as you climb. When you press the trigger, the recoil from the initial spray could force you to fall. The high pressure spray could also force you to fall if you are too close to the cleaning surface.

- Apply a high pressure spray to a small area and then check the surface for damage. If no damage is found, you can assume it is okay to continue cleaning.
- Start at the top of the area to be rinsed, working down with same overlapping strokes as you used for cleaning.

NOTE: Never use garden hose inlet to siphon detergent or wax.

■ Automatic Cool Down System (also known as Thermal Relief)

If you run the engine on your pressure washer for 3-5 minutes without pressing the trigger on the spray gun, circulating water in the pump can reach a temperature between 140–145°F. When the water reaches this temperature, the automatic cool down system engages and cools the pump by **discharging the warm water onto the ground**. This system prevents internal damage to the pump.



GENERAL MAINTENANCE RECOMMENDATIONS

The warranty of the high pressure washer does not cover items that have been subjected to operator abuse or negligence. To receive full value from the warranty, operator must maintain high pressure washer as instructed in this manual.

- Some adjustments will need to be made periodically to properly maintain your high pressure washer.
- All adjustments in the Service and Adjustments section of this manual should be made at least once each season.
- Once a year you should clean or replace the spark plug and clean or replace the air filter and check the gun and wand assembly for wear. A new spark plug and clean air filter assure proper fuel-air mixture and help your engine run better and last longer.

BEFORE EACH USE

- Check engine oil level.
- Check water inlet screen for damage.
- Check high pressure hose for leaks.
- Check gun and wand assembly for leaks.

PRESSURE WASHER MAINTENANCE

Check and Clean Inlet Screen

Examine screen on the water inlet. Clean if the screen is clogged or replace if screen is damaged.

Check High Pressure Hose

High pressure hose can develop leaks from wear, kinking, or abuse. Inspect hose each time before using it. Check for cuts, leaks, abrasions or bulging of cover, damage or movement of couplings. If any of these conditions exist, replace hose immediately.



DANGER: Water spraying from a leak is capable of injecting material into skin. Inspect hose each time before using it. Never repair a high pressure hose. Replace it with another hose that meets the maximum pressure rating of your pressure washer.

Check Gun and Wand

Examine hose connection to gun and make sure it is secure. Test trigger by pressing it and making sure it springs back into place when you release it. Put safety latch in ON position and test trigger. You should not be able to press trigger.

Purge Pump of Air and Contaminants

To remove the air from the pump, follow these steps:

- Set up the pressure washer as described in the ASSEMBLY section and connect the water supply.
- Remove the wand extension from the gun.
- Pull the trigger on the gun and hold.

To remove the contaminants from the pump, follow these steps:

- Set up the pressure washer as described in the ASSEMBLY section, and connect the water supply.
- Remove the nozzle attachment from the gun.
- Start the engine according to instructions in OPERATION section.
- Squeeze the trigger on the gun and hold.
- When the water supply is steady and constant, engage the safety latch and refasten the nozzle attachment.

Nozzle Maintenance

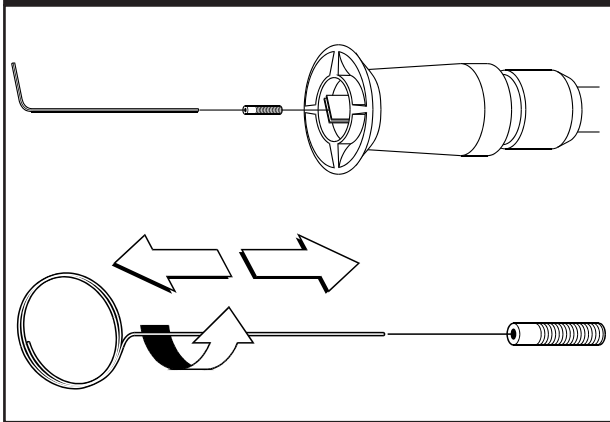
If the adjustable nozzle becomes restricted or clogged with foreign materials, such as dirt, excessive pump pressure may develop. If this nozzle becomes partially clogged, it can cause a pulsing sensation during use. This generally is not a pump related problem, but rather a clogged or partially restricted adjustable nozzle.

If the adjustable nozzle becomes clogged or partially restricted, immediately clean the nozzle with the kit included with your pressure washer by following these instructions:

- Shut off the engine and turn off the water supply.
- Separate the wand extension from the gun.
- Adjust the wand extension to the stream position.
- Remove nozzle from the end of the wand extension (Figure 13) using a 2mm or 5/64 allen wrench (like the one included in the kit).

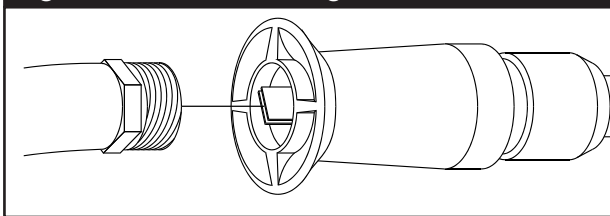
- Use the wire included in the kit (Figure 13) or a small paper clip to free the foreign materials clogging or restricting the nozzle.

Figure 13 – Removing and cleaning nozzle.



- Remove additional debris by back flushing water supply through wand extension (Figure 14). Back flush between 30 to 60 seconds. Turn wand extension to stream spray and move nozzle from low to high while flushing.

Figure 14 – Backflushing the nozzle.



- Reinstall nozzle into the wand extension. DO NOT over tighten.
- Reconnect the wand extension to the gun.
- Reconnect the water supply, turn on the water, and start the engine.
- Test the pressure washer by operating with nozzle in the high and in the low position.

ENGINE MAINTENANCE

See the engine owner’s manual for instructions on how to properly maintain the engine.

SERVICE AND ADJUSTMENTS

See the engine Owner’s Manual for instructions on how to properly service and adjust the engine

PREPARING THE UNIT FOR STORAGE

Water should not remain in the unit for long periods of time. Sediments of minerals can deposit on pump parts and “freeze” pump action. If you do not plan to use the pressure washer for more than 30 days, follow this procedure:

1. Shut off the engine and let it cool, then remove all hoses.
2. Place throttle lever in STOP position.

CAUTION: Be sure lever is in “STOP” position before you continue. If you start engine without proper water supply connected, you can damage pump.

3. Empty the pump of all pumped liquids by pulling recoil handle about 6 times. This should remove most of the liquid in the pump.

NOTE: To protect unit from freezing temperatures, draw windshield washer fluid into pump by pouring windshield washer fluid into a 3-foot section of garden hose connected to inlet adaptor and pulling recoil handle twice.

4. Store in a clean, dry area.

STORING THE ENGINE

See the engine Owner’s manual for instructions on how to properly store the engine.



TROUBLESHOOTING POINTS

Problem	Cause	Correction
Pump has following problems: failure to produce pressure, erratic pressure, chattering, loss of pressure, low water volume.	<ol style="list-style-type: none"> 1. Nozzle in low pressure mode. 2. Water inlet is blocked. 3. Inadequate water supply 4. Inlet hose is kinked or leaking 5. Clogged inlet hose strainer. 6. Water supply is over 140°F. 7. Outlet hose is blocked or leaks. 8. Gun leaks. 9. Nozzle is obstructed. 10. Pump is faulty. 	<ol style="list-style-type: none"> 1. Pull nozzle backward for high pressure mode. 2. Clear inlet 3. Provide adequate water flow. 4. Straighten inlet hose, patch leak. 5. Check and clean inlet hose strainer. 6. Provide cooler water supply. 7. Clear blocks in outlet hose. 8. Replace gun. 9. Clear nozzle. 10. Contact Generac service facility.
Detergent fails to mix with spray.	<ol style="list-style-type: none"> 1. Detergent line is not submerged. 2. Foamer is clogged. 	<ol style="list-style-type: none"> 1. Insert chemical line into detergent. 2. Clean or replace foamer
Engine runs good at no-load but “bogs” when load is added.	Engine speed is too slow.	Move throttle control to FAST . position. If engine still “bogs down” contact Generac service facility.
Engine will not start; or starts and runs rough	<ol style="list-style-type: none"> 1. Low oil level 2. Dirty air cleaner 3. Out of gasoline. 4. Stale gasoline. 5. Spark plug wire not connected to spark plug 6. Bad spark plug. 7. Water in gasoline. 8. Overchoking. 9. Excessively rich fuel mixture. 10. Intake valve stuck open or closed. 11. Engine has lost compression. 	<ol style="list-style-type: none"> 1. Fill crankcase to proper level. 2. Clean or replace air cleaner. 3. Fill fuel tank. 4. Drain gas tank; fill with fresh fuel. 5. Connect wire to spark plug. 6. Replace spark plug. 7. Drain gas tank; fill with fresh fuel. 8. Open choke fully and crank engine. 9. Contact Generac service facility. 10. Contact Generac service facility. 11. Contact Generac service facility.
Engine shuts down during operation	<ol style="list-style-type: none"> 1. Out of gasoline. 2. Low oil level. 	<ol style="list-style-type: none"> 1. Fill fuel tank. 2. Fill crankcase to proper level.
Engine lacks power.	Dirty air filter.	Replace air filter.
Engine “hunts” or falters.	Choke is opened too soon.	Move choke to halfway position until engine runs smoothly.

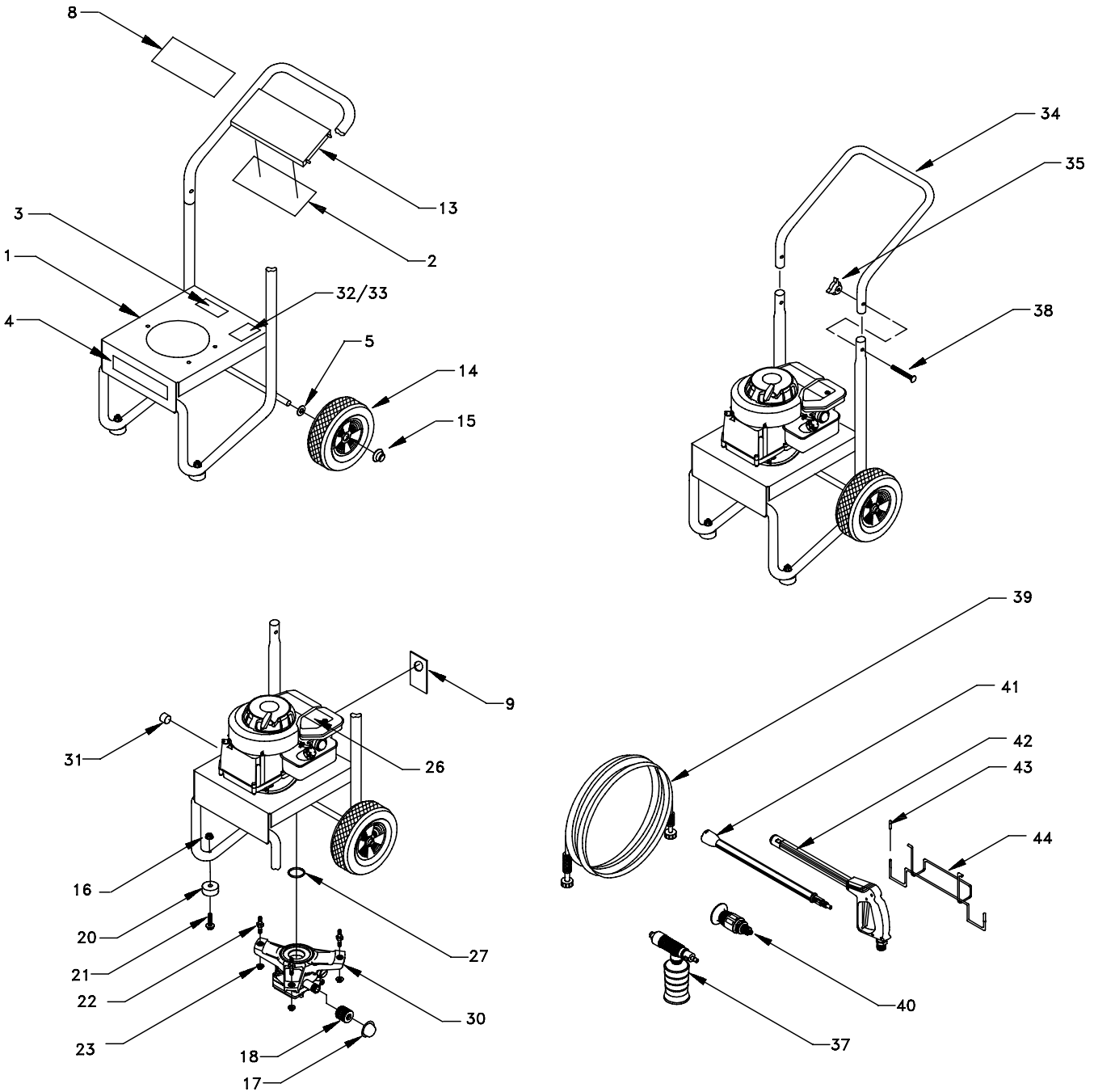


NOTES

Generac 1500PSI High Pressure Washer

NOTES

EXPLODED VIEW — PRESSURE WASHER

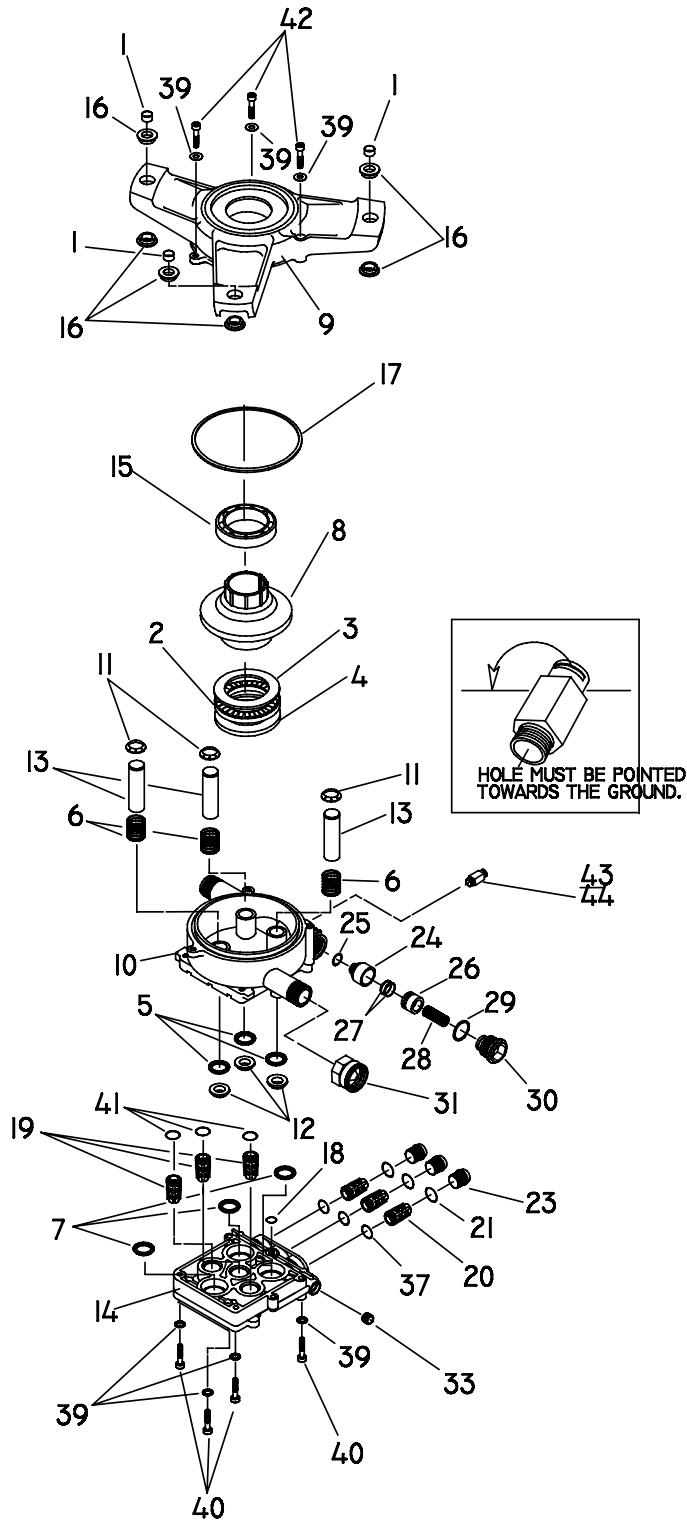




REPAIR PARTS — PRESSURE WASHER

ITEM	PART NO.	DESCRIPTION.	QTY.
1	B1947	BASE, VSPW	1
2	B2193	DECAL, Instructions	1
3	20566	DECAL, 1-800 Number	1
4	B2192	DECAL, "Generac"	1
5	49808	WASHER, M12 Flat	2
8	B1913	DECAL, Logo 1500 PSI	1
9	B1210	CARD, Starting Instructions	1
13	B1631B	BILLBOARD, Plastic	1
14	21206	TIRE, 2" X 8" Black Mag	2
15	75402	PUSHNUT, 1/2"	2
16	52858	NUT, M8 Locking Flange	2
17	A1408	CAP, Garden Hose Inlet	1
18	21424	CONNECTOR, Garden Hose	1
20	87841	MOUNT, Rubber Foot	2
21	39287	HHCS, M8 X 1.25 X 45 Long	2
22	B1735	STUD, Double Ended	3
23	B1880	NUT, With Washer	3
26	B1925	ENGINE, Briggs & Stratton Sprint 4HP	1
27	98300	SEAL, Engine Donut	1
30	B1906A	PUMP, GPW-EG Assembly	1
31	97100	CAP, High Pressure	1
32	88056	DECAL, Data	1
33	79552	OVERLAMINATE	1
34	B1946	HANDLE, VS PW	1
35	97178	KNOB, PW Handle	2
37	B1935	BOTTLE, Foamer	1
38	31669	BOLT, 1/4"-20 X 1.75" Carriage	2
39	97810	HOSE, 1/4" X 25'	1
40	21338G	SPRAY HEAD, Fixed Nozzle	1
41	21337	LANCE	1
42	21336	GUN, High Pressure	1
43	B1460	CAP, Vinyl Black	2
44	B1723	WIREFORM	1

EXPLODED VIEW — PUMP



**REPAIR PARTS — PUMP**

ITEM	PART NO.	DESCRIPTION	QTY.
1	96795	SLEEVE, RUBBER GROMMET SPACER	3
2	21640	ASSY., CAGE NEEDLE BEARING 45 X 65	1
3	21641	WASHER, BRG. DIA. 45 x 65 x 1T (1
4	21642	WASHER, BRG. DIA. 36 x 65 x 6T [SPECIAL]	1
5	93680	SEAL, OIL PISTON DIA. 15	3
6	97828	SPRING, PISTON RETURN – EG	3
7	93667	SEAL, U-CLIP	3
8	98304	CAM, AXIAL 5.6mm w/INSERT	1
9	98227	ADAPTER, ENGINE	1
10	B1907	HOUSING, PISTON AND UNLOADER	1
11	97830	RETAINER, PISTON SPRING	3
12	97831	SPACER, PILOT	3
13	97832	PISTON, DIA. 15-65 LONG	3
14	A1111B	HEAD, PUMP	1
15	57018	BEARING, BALL RADIAL	1
16	21429	BUSHING, RUBBER	6
17	97835	“O” RING, HOUSING SEAL	1
18	97837	“O” RING, HI-PRESSURE TRANSFER	1
19	97838	ASS'Y, CHECK VALVE – INLET	3
20	97839	ASS'Y, CHECK VALVE – OUTLET	3
21	97840	“O” RING, INLET PORT CAP	3
23	97841	CAP, INLET PORT	3
24	97842	SEAT, UNLOADER	1
25	97843	“O” RING, UNLOADER VENTURI	1
26	B1253	PISTON, UNLOADER	1
27	97845	SEAL, UNLOADER “PARBACK”	2
28	A2731	SPRING, UNLOADER	1
29	97847	“O” RING, UNLOADER CAP	1
30	A2730	CAP, UNLOADER	1
31	21424	GARDEN HOSE CONNECTOR	1
33	96137	PLUG, 1/8” NPT [WITH SEALANT]	1
37	97934	“O” RING, CHECK VALVE – INLET	3
39	93873	LOCK WASHER, M6 RIBBED	7
40	40946	SOCKET HEAD CAPSCREW M6-1.0 x 35mm	4
41	97851	“O” RING PISTON HOUSING	3
42	97962	SOCKET HEAD CAPSCREW, M6-1.0 x 25mm	3
43	21783	THERMAL RELIEF	1
44	20876	.5 OZ. SEALANT, THREAD LOCKTITE 242	0



LIMITED PRESSURE WASHER WARRANTIES (includes "Master Contractor")

GENERAC warrants to the original retail purchaser, the pressure washer manufactured by GENERAC to be free from defects in material and workmanship for the period(s) set forth below from the date of original purchase. This warranty is not transferable. The term "original purchaser" means the person for whom the pressure washer is originally purchased.

Warranty Schedules

Electric Power Washer	1 year (does not apply to commercial or rental operations)	
	CONSUMER*	COMMERCIAL*
Generac GN-Series Engine-driven Power Washer	Engine: 2 years (2nd year parts only) Pump: 1 year	1 year 90 days
All Other Engine-driven Power Washers	Engine: Warranted solely by Engine Manufacturer Pump: 1 year	Warranted solely by Engine Manufacturer 90 days

*** NOTE: For the purpose of this warranty "consumer use" means personal residential household use by original purchaser. "Commercial Use" means all other uses, including rental, construction, commercial and income producing purposes. Once a pressure washer has experienced commercial use, it shall thereafter be considered a commercial use pressure washer for the purposes of this warranty.**

During said warranty period, GENERAC will, at its option, repair or replace any part which, upon examination by GENERAC or GENERAC Authorized Dealers, is found to be defective under normal use and service**. All transportation costs under warranty, including return to the factory if necessary, are to be borne by the purchaser and prepaid by the purchaser.

**** NORMAL WEAR: As with all mechanical devices, the GN-Series engines need periodic parts service and replacement to perform well. This warranty will not cover repair when normal use has exhausted the life of a part or an engine.**

THIS WARRANTY DOES NOT INCLUDE: Used products and demonstration equipment. Parts such as GUNS, HOSES, WANDS, NOZZLES or other wear items such as quick couplers, oil, gauges, belts, O-rings, filters, pump packing, etc. Pumps which have been run without water supplied. Damage or malfunctions resulting from: accidents, abuse, modifications, alterations, or improper servicing. Freezing or chemical deterioration. Normal maintenance such as adjustments, fuel system cleaning and obstruction (due to chemical, dirt, carbon or lime, etc.).

THIS WARRANTY IS IN PLACE OF ALL OTHER WARRANTIES, EXPRESS OR IMPLIED, SPECIFICALLY, GENERAC MAKES NO OTHER WARRANTIES AS TO MERCHANTABILITY OR FITNESS FOR A PARTICULAR PURPOSE. The duration of any implied warranties which cannot be disclaimed is limited to the time period as specified in the express warranty. LIABILITY FOR CONSEQUENTIAL, INCIDENTAL, OR SPECIAL DAMAGES UNDER ANY AND ALL WARRANTIES IS EXCLUDED, EVEN IF SUCH DAMAGES ARE A DIRECT RESULT OF GENERAC'S NEGLIGENCE. Some states do not allow limitations on how long an implied warranty lasts, or the exclusion or limitation of incidental or consequential damages, so the above limitations or exclusions may not apply to you. This warranty gives you specific legal rights and you may also have other rights, which vary from state to state.

For service, see your nearest GENERAC authorized warranty service facility or call 1-800-333-1322. Warranty service can be performed only by a GENERAC authorized service facility. This warranty will not apply to service at any other facility. At the time of requesting warranty service, evidence of original purchase date must be presented.