

## Operators Manual

# CRAFTSMAN®

6 Horsepower  
2000 PSI  
2.0 GPM

## HIGH PRESSURE WASHER CLEANING SYSTEM

Model No. 580.768020



Pressure Washer  
Customer Helpline  
1-800-222-3136

HOURS: Mon. - Fri. 8 a.m. to 5 p.m. (CT)

**CAUTION:**  
Before using this product, read this manual and follow all its Safety Rules and Operating Instructions.

Sears, Roebuck and Co., Hoffman Estates, IL 60179

Visit our Craftsman website: [www.sears.com/craftsman](http://www.sears.com/craftsman)

- Safety
- Assembly
- Operation
- Maintenance
- Parts

## TABLE OF CONTENTS

Warranty .....	2	Troubleshooting .....	14
Safety Rules .....	2-3	Replacements parts .....	16-23
Assembly .....	4	Emissions Control Warranty .....	24-25
Operation .....	5-8	How to order parts and request service .....	Back page
Maintenance .....	9-12		
Storage .....	13		

## WARRANTY

### LIMITED ONE YEAR WARRANTY ON CRAFTSMAN HIGH PRESSURE WASHER

For one year from the date of purchase, when this Craftsman Cleaning System is maintained and operated according to the instructions in the owner's manual, Sears will repair, free of charge, any defect in material and workmanship.

If this washer is used for commercial purposes, this warranty applies for only 90 days from the date of purchase. If this high pressure washer is used for rental purposes, this warranty applies for only 30 days after date of purchase.

This warranty does not cover:

- Expendable items such as spark plugs or air filters, which become worn during normal use.
- Repairs necessary because of operator abuse or negligence, including damage resulting from no water being supplied to pump or failure to maintain the equipment according to the instructions contained in the owner's manual.

WARRANTY SERVICE IS AVAILABLE BY RETURNING THE HIGH PRESSURE WASHER TO THE NEAREST SEARS SERVICE CENTER OR DEALER IN THE UNITED STATES.

This warranty gives you specific legal rights and you may also have other rights, which vary from state to state.

Sears, Roebuck and Co., Dept. 817WA, Hoffman Estates, IL 60179

## SAFETY INSTRUCTIONS



### WARNING:



The engine exhaust from this product contains chemicals known to the State of California to cause cancer, birth defects, or other reproductive harm.



**CAUTION:** Before using this product, read this manual and follow all Safety Rules and Operating Instructions.



**DANGER:** When transporting, setting up, adjusting or making repairs to your cleaning system, always disconnect the spark plug wire and place it where it cannot contact the spark plug to prevent accidental starting.

- Engine exhaust gases contain DEADLY carbon monoxide gas. This dangerous gas, if breathed in sufficient concentrations, can cause unconsciousness or even death. Operate this equipment only in the open air where adequate ventilation is available.
- Gasoline is highly FLAMMABLE and its vapors are EXPLOSIVE. Do not permit smoking, open flames, sparks or heat in the vicinity while handling gasoline. Avoid spilling gasoline on a hot engine. Allow unit to cool for 2 minutes before refueling. Comply with all laws regulating storage and handling of gasoline.
- Locate this cleaning system in areas away from combustible materials, combustible fumes or dust.
- The high pressure equipment is designed to be used with Sears authorized parts only. If you use this equipment with parts that do not comply with minimum specifications, the user assumes all risks and liabilities.
- Some chemicals or detergents may be harmful if inhaled or ingested, causing severe nausea, fainting or poisoning. The harmful elements may cause property damage or severe injury.
- Do not allow CHILDREN to operate the cleaning system at any time.

- Operate engine only at governed speed. Running the engine at excessive speeds increases the hazard of personal injury. Do not tamper with parts which may increase or decrease the governed speed.
- Do not wear loose clothing, jewelry or anything that may be caught in the starter or other rotating parts.
- Before starting the cleaning system in cold weather, check all parts of the equipment and be sure ice has not formed there.
- Units with broken or missing parts, or without protective housing or covers should NEVER be operated.
- The muffler and air cleaner must be installed and in good condition before operating the cleaning system. These components act as spark arrestors if the engine backfires.
- Check the fuel system for leaks or signs of deterioration such as chafed or spongy hose, loose or missing clamps or damaged tank or cap. Correct all defects before operating the cleaning system.
- Do not spray flammable liquids.
- Never allow any part of the body to come in contact with the fluid stream. DO NOT come in contact with a fluid stream created by a leak in the high pressure hose.
- High pressure streams of fluid this equipment produces can pierce skin and its underlying tissues, leading to serious injury and possible amputation.
- Never aim the gun at people, animals or plants.
- High pressure spray can cause paint chips or other particles to become airborne and fly at high speeds.
- Always wear eye protection when you use this equipment or when you are in the vicinity where the equipment is in use.
- Operate the pressure at no more than the PSI fluid pressure rated for your cleaning system.
- Never move the machine by pulling on the high pressure hose. Use the handle provided on the top of the unit.
- Always be certain the spray gun, nozzles and accessories are correctly attached.
- Never use a spray gun which does not have a trigger lock or trigger guard in place and in working order.
- Use a respirator or mask whenever there is a chance that vapors may be inhaled. Read all instructions with the mask so you are certain the mask will provide the necessary protection against inhaling harmful vapors.
- High pressure spray may damage fragile items including glass. Do not point spray gun at glass when in the jet spray mode.
- Keep the hose connected to machine or the spray gun while the system is pressurized. Disconnecting the hose while the unit is pressurized is dangerous.
- Hold the spray gun firmly in your hand before you start the unit. Failure to do so could result in an injury from a whipping spray gun. Do not leave the spray gun unattended while the machine is running.
- The cleaning area should have adequate slopes and drainage to reduce the possibility of a fall due to slippery surfaces.
- Keep water spray away from electric wiring or fatal electric shock may result.
- Do not secure trigger gun in the pull-back (open) position.
- Do not by-pass any safety device on this machine.
- The muffler and engine heat up during operation and remain hot immediately after shutting it down. Avoid contact with a hot muffler or engine or you could be severely burned.
- Operate and store this unit on a stable surface.
- Always store cleaning system with the Dial-a-Cleaner™ knob in the OFF position.
- High pressure hose can develop leaks from wear, kinking, abuse, etc. Water spraying from a leak is capable of injecting material into skin. Inspect hose each time before using it. Check all hoses for cuts, leaks, abrasions or bulging of cover, or damage or movement of couplings. If any of these conditions exist, replace hose immediately. Never repair high pressure hose. Replace it with another hose that meets minimum pressure rating of your cleaning system.



**LOOK FOR THIS SYMBOL TO POINT OUT IMPORTANT SAFETY PRECAUTIONS. IT MEANS "ATTENTION!!! BECOME ALERT!!! YOUR SAFETY IS INVOLVED."**

# ASSEMBLY

## CARTON CONTENTS

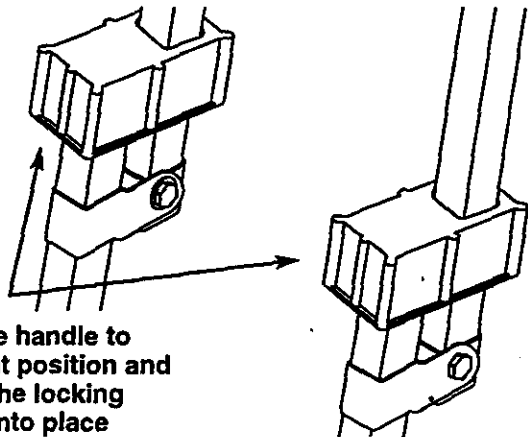
The following parts are shipped loose with your cleaning system:

- Main Unit — pressure washer with wheels, chemical tanks, guide handle.
- High Pressure Hose
- Parts Box (which includes items listed below)
  - Spray Gun
  - Wand Extension with Hi/Lo Adjustable Nozzle
  - Engine Oil
  - Three-pack of chemical concentrates
  - Manual Bag (which includes the items listed below)
    - Owner's Manual
    - Nozzle Cleaner Kit
    - "O"-Ring Kit
    - Tank Labels

Become familiar with each piece before assembling the cleaning system. Check all contents against the illustration on Page 5. If any parts are missing or damaged, call the Pressure Washer Helpline at 1-800-222-3136.

## TO REMOVE PRESSURE WASHER FROM CARTON

- Remove loose parts and parts box included with your cleaning system.
- Slice two corners at guide handle end of carton from top to bottom so the panel can be folded down flat.

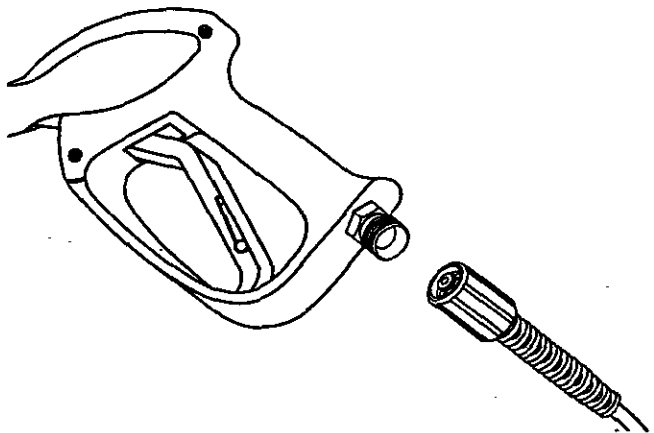


- Raise guide handle, secure in place.
- Roll the cleaning system out the open end of the carton.
- Check carton for additional loose parts.

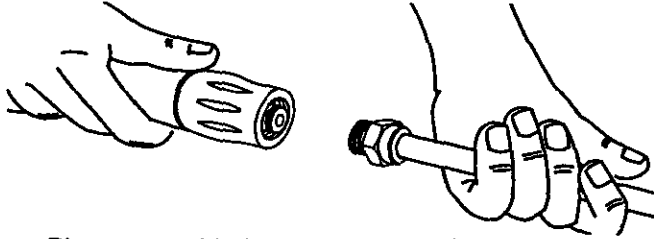
## HOW TO SET UP YOUR PRESSURE WASHER

For the most part, your Craftsman High Pressure Cleaning System has been assembled at the factory. You must, however, assemble the spray gun and attach the high pressure hose to the spray gun.

- Cut the tie wraps on the high pressure hose and connect high pressure hose to gun. Tighten by hand.



- Attach nozzle extension to spray gun.

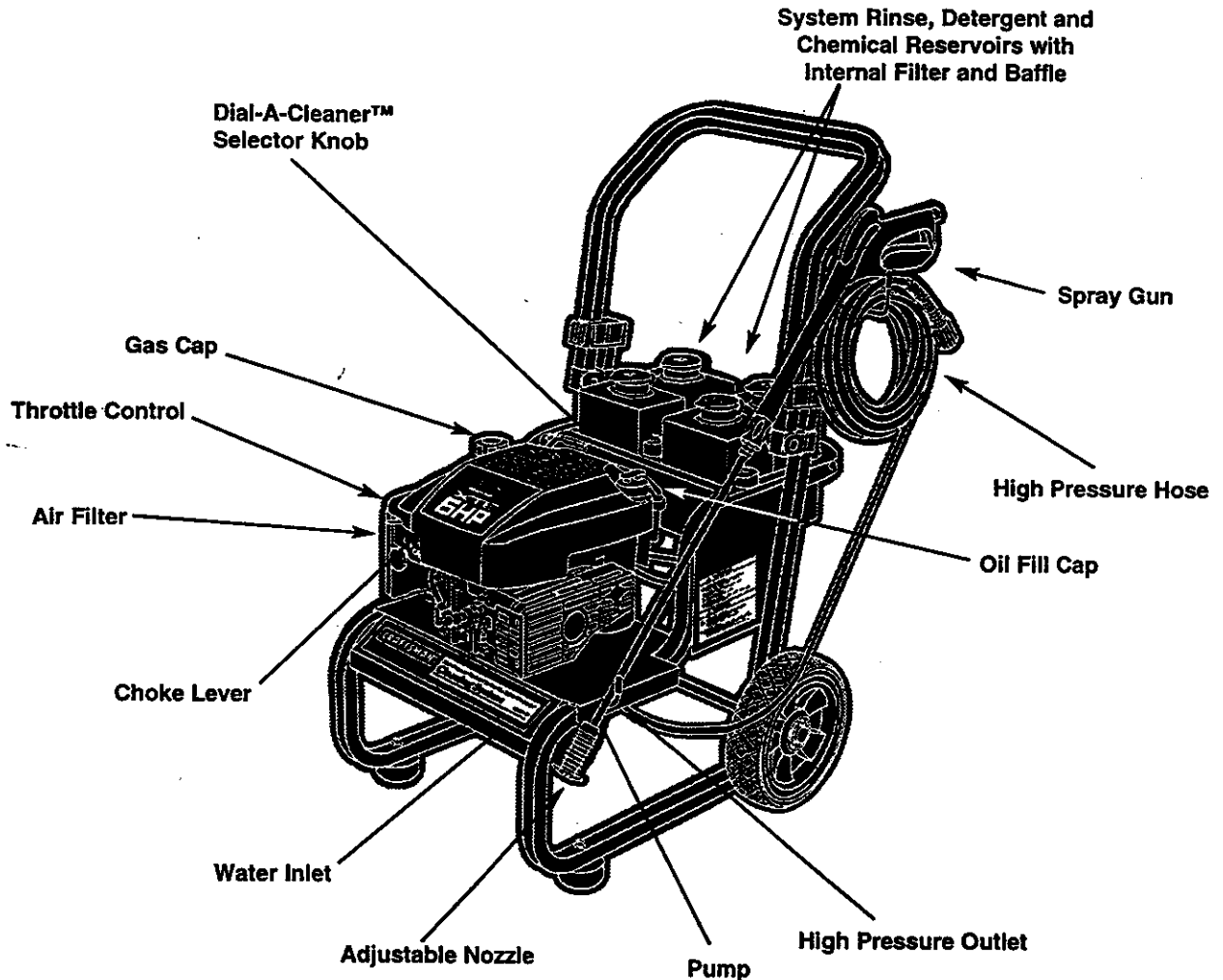


- Place assembled spray gun on holder.

# OPERATION

## KNOW YOUR HIGH PRESSURE WASHER

Read this owner's manual and safety rules before operating your cleaning system. Compare the illustrations with your cleaning system to familiarize yourself with the locations of various controls and adjustments.



**Adjustable Nozzle** – Adjust for high or low pressure; narrow or fan spray.

**Air Filter** – Dry type filter element limits the amount of dirt and dust that gets in the engine.

**Choke Lever** – Used to start a cold engine.

**Dial-A-Cleaner™ Selector Knob** – Selects any one of three chemicals or the clean water system rinse.

**Gas Cap** – Fill engine with regular unleaded gasoline here.

**High Pressure Hose** – Connect one end to the spray gun and the other to the high pressure outlet.

**High Pressure Outlet** – Connection for high pressure hose.

**Oil Fill Cap** – Fill engine with oil here. See page 7 for oil recommendations.

**Pump** – Develops high pressure water.

**Spray Gun** – Controls the application of water onto cleaning surface with trigger device. Includes safety latch.

**System Rinse, Detergent and Chemical Reservoirs with Internal Filter and Baffle** – Used to provide detergent or other chemicals to the low pressure water stream.

**Throttle Control** – Use to set the engine in starting mode. Stops a running engine.

**Water Inlet** – Connection for garden hose.

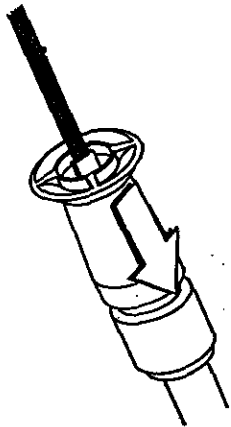
## HOW TO USE YOUR CLEANING SYSTEM

Read these instructions and learn how to use your cleaning system before you attempt to start your cleaning system. If you have any problems operating your cleaning system, please call the pressure washer helpline at 1-800-222-3136.

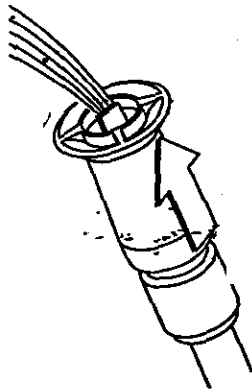
### How To Use the Adjustable Nozzle

**WARNING!** Never adjust spray pattern when spraying. Never put hands in front of the nozzle when adjusting the spray.

- Push the nozzle forward for low pressure. Pull the nozzle backward until it "snaps" into place to achieve high pressure.

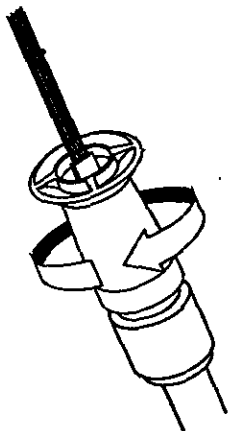


Pull nozzle backward for high pressure.

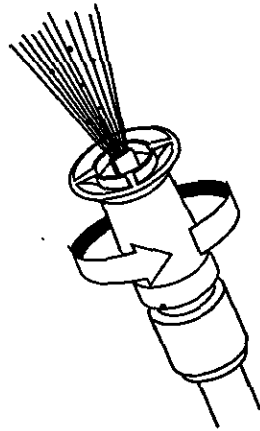


Push nozzle forward for low pressure.

- Twisting the nozzle adjusts the spray pattern from a narrow to a "fan" pattern.



Twist nozzle clockwise for narrow spray.



Twist nozzle counterclockwise for "fan" pattern.

- For most effective cleaning, keep spray nozzle between 8 to 24 inches away from cleaning surface.
- Damage to the surface may occur if you get the spray nozzle too close to it.

### Cleaning With The Adjustable Nozzle

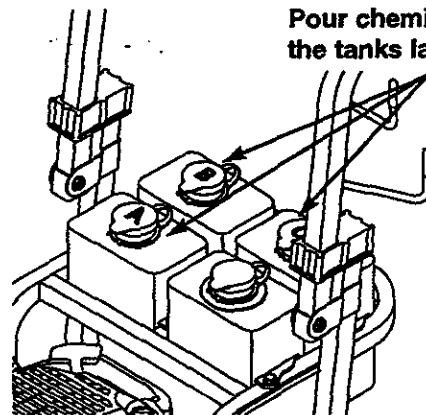
**CAUTION:** Before starting your Cleaning System, make sure you have read and followed the instructions in the sections "Before Starting the Cleaning System" on page 7 and "To Start the Cleaning System" on page 8.

**IMPORTANT:** Use soaps designed specifically for pressure washer cleaning systems. Household detergents could damage the pump.

**IMPORTANT:** You must attach all hoses before you start the engine. Starting the engine without all the hoses connected and without the water turned ON will damage the pump.

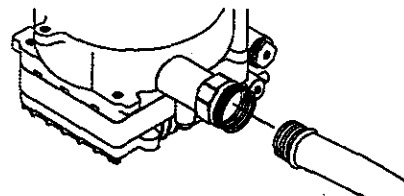
Up to three (3) different solutions can be carried on the cleaning system at one time. To apply detergent follow these steps:

- Dilution is necessary when using the supplied chemical packets. Simply snip one corner of the plastic pouch, pour the chemical into the tank, then fill the tank with clean water. Label tanks with the provided tank labels



Pour chemical into one of the tanks labeled A, B, C.

- If using another chemical designed for use with pressure washers, prepare the chemical solution as required by the chemical manufacturer. Fill chemical reservoir(s) with the prepared solution as needed.
- Rotate the Dial-A-Cleaner™ selector knob to the letter corresponding to the desired reservoir.
- Push the adjustable nozzle forward to low pressure mode. Detergent cannot be applied with nozzle in high pressure position.
- Review the use of the adjustable nozzle.
- Connect garden hose to water inlet, check that high pressure hose is connected to spray gun and pump (see ASSEMBLY on page 4), and start engine.





**WARNING:** Be extremely careful if you must use the cleaning system from a ladder, scaffolding or any other relatively unstable location. When you press the trigger, the recoil from the initial spray could force you to fall, or if you are too close to the cleaning surface, high pressure could force you off a climbing apparatus.

- Start at lower portion of area to be washed and work upward, using long, even overlapping strokes.
- Allow detergent to 'soak in' (between 3-5 minutes) before washing and rinsing. Reapply as needed to prevent surface from drying.

### Wash and Rinse Surface

After you have applied detergent, scour the surface with the high pressure water stream and then rinse it clean, as follows:

- Pull adjustable nozzle backward to get high pressure mode. Chemical will not flow when in the high pressure mode.
- Expand the spray pattern for a more gentle rinsing action. Start at top of area to be rinsed, working down with same action as for cleaning.



**CAUTION!** Test a small area of the surface to be cleaned. Make sure there is no damage caused by the high pressure spray.

### RINSE SYSTEM AFTER EVERY USE

It is imperative that the chemical selector system be rinsed after each use to prevent clogging or leaks:

- Fill the System Rinse reservoir with clean water.
- Before disconnecting the water supply, start your cleaning system.



**CAUTION:** Before starting your Cleaning System, make sure you have read and followed the instructions in the sections "Before Starting the Cleaning System" on page 7 and "To Start the Cleaning System" on page 8.

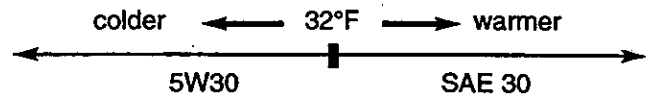
- Push adjustable nozzle forward to get low pressure mode.
- Rotate the Dial-A-Cleaner™ selector knob to the letter corresponding to the System Rinse tank. As clean rinse water is drawn through the system, continue the flow until no detergent foam is observed.
- Rotate the Dial-A-Cleaner™ selector knob to the OFF position.

## BEFORE STARTING THE CLEANING SYSTEM

To operate the engine you will need to do the following:

### Add Engine Oil

Only use high quality detergent oil rated with API service classification SF or SG. Select the oil's SAE viscosity grade according to your expected operating temperature:



Although multi-viscosity oils (5W30, 10W30, etc.) improve starting in cold weather, these multi-viscosity oils will result in increased oil consumption when used above 32°F. Check your engine oil level more frequently to avoid possible damage from running low on oil.

- Place pressure washer system on a level surface
- Clean area around oil fill and remove oil dipstick.
- Wipe dipstick clean.
- Pour oil from enclosed bottle into the oil fill opening until oil reaches full mark on the dipstick. Stop and check the oil level periodically. **Do not overfill.**
- Install oil dipstick, hand tighten securely.

### Add Gasoline

- Use **regular unleaded** gasoline with the cleaning system engine. Fuel tank capacity is 1.5 U.S. quarts.



**DANGER!** Never fill fuel tank indoors. Never fill fuel tank when engine is running or hot. **Do not smoke** when filling fuel tank.



**CAUTION!** Do not overfill the fuel tank. Always leave room for expansion.



**CAUTION!** Experience indicates that alcohol blended fuels (called gasohol or using ethanol or methanol) can attract moisture which leads to separation and formation of acids during storage. Acidic gas can damage the fuel system of an engine while in storage.

### To add fuel to engine:

- Clean area around fuel cap, remove cap.
- Add **regular unleaded** gasoline, slowly, to the fuel tank.

**Important:** Never mix oil with gasoline.

- Install fuel cap and wipe up any spilled gasoline.

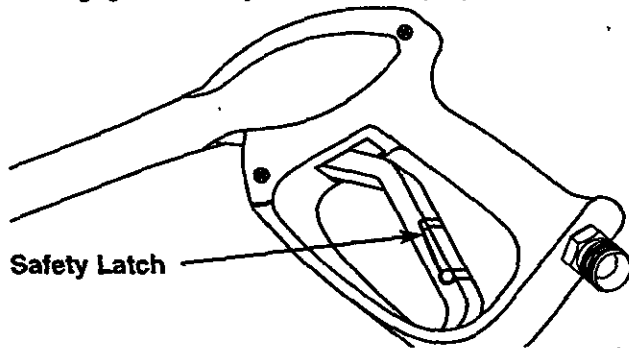
## TO START YOUR PRESSURE WASHER

The best way to start your cleaning system engine for the first time is to follow these instructions step-by-step. This starting information also applies whenever you start the engine after you have let the cleaning system sit idle for at least a day.

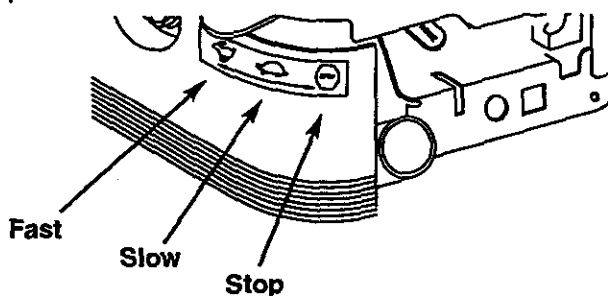
- Place the cleaning system in an area close enough to an outside water source that can flow at a rate of at least 2.5 gallons per minute. Connect a garden hose to the water spout.
- Check that the high pressure hose is tightly connected to the spray gun and to the pump. See ASSEMBLY section on page 4.
- Check inlet screen on the water inlet. If the screen is dirty, clean before attaching a garden hose. If the screen is damaged, **do not** connect to the garden hose. Replace with screen provided in maintenance kit or call 1-800-366-PART to order a replacement inlet screen.
- Attach the the garden hose to the water inlet.
- **Turn on the water.**

**Important:** Do not run pump without the water supply connected and turned on. You must follow this caution or the pump will be damaged.

- Remove the adjustable nozzle extension from the spray gun.
- Pull the trigger on the spray gun and hold until a steady stream of water flows from the gun.
- Engage the safety latch on the spray gun.

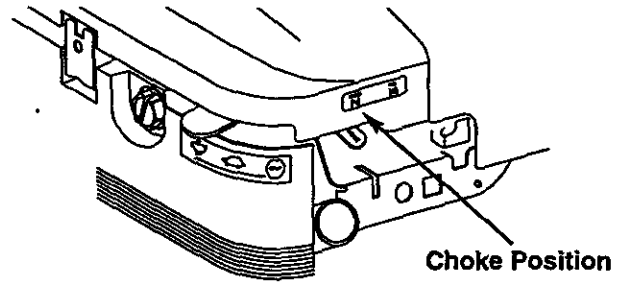


- Attach adjustable nozzle extension onto spray gun.
- Move the throttle control lever to the "Fast" position.



- Set the choke lever to "Choke" position.

**Note:** If restarting a warm engine after a short shutdown, be sure the throttle control is in the "Fast" position and the choke is in the "Run" position.



- Grasp rope handle and pull slowly until you feel some resistance. Then pull cord rapidly to overcome compression, prevent kickback and start the engine. Let rope return to starter slowly.

**Note:** Always keep the Throttle Control Lever in the "Fast" position when operating the pressure washer.

- When the engine starts, gradually move the Choke Lever from one position to the next until it is in the "Run" position.

**Note:** If after 3 pulls the engine fails to start, move the Choke Lever to the "Run" position, pull trigger on gun to relieve pressure, reengage safety latch, and pull the recoil starter handle rapidly (Max. 3 pulls).

- Once the engine has started, disengage the spray gun safety latch.

## HOW TO STOP YOUR PRESSURE WASHER

**Important:** Do not run pump without the water supply connected and turned on. You must follow this caution or the pump will be damaged.

- Move the Throttle Control Lever to the "Stop" position.
- **Simply shutting off the engine will not release pressure in the system.** Squeeze trigger on the spray gun to relieve pressure in the hose.

**Note:** A small amount of water will squirt out when you release the pressure.

- Rotate the Dial-A-Cleaner™ selector knob to the OFF position to prevent chemical leakage.

## SIPHONING

**DO NOT** siphon standing water for your water supply. Contaminated, brackish or dirty water can damage the pump. Connect only to household water supply.

## TIPS

- Never use the garden hose inlet to siphon detergent or wax.
- If you hold the spray nozzle too far away from the object being cleaned, washing will not be as effective.
- Always store the cleaning system with the Dial-A-Cleaner™ selector knob to the OFF position.



# MAINTENANCE

## CUSTOMER RESPONSIBILITIES

<small>MAINTENANCE SCHEDULE</small> <small>FILL IN DATES AS YOU COMPLETE</small> <small>REGULAR SERVICE</small>  <b>MAINTENANCE TASK</b>	HOURLY OPERATING INTERVAL			SERVICE DATES				
	Before Each Use	Every 50 Hours or Yearly	Every 100 Hours or Yearly					
<b>PRESSURE WASHER</b>								
Check/clean water inlet screen on quick-connect.	X†							
Check high pressure hose.	X							
Check detergent hose.	X							
Check spray gun and assembly for leaks.	X							
Purge pump of air and contaminants.	X							
<b>ENGINE</b>								
Check oil level.	X							
Change engine oil.		X*						
Service air cleaner.			X**					
Clean/replace spark plug.			X					
Prepare for storage.	Prepare unit for storage if it is to remain idle for longer than 30 days.							

† Clean if clogged. Replace if perforated or torn.

\* Change oil after the first (2) operating hours and every 50 hours thereafter. Change sooner when operating under dirty or dusty conditions.

\*\* Replace more often under dirty or dusty conditions.

## PRODUCT SPECIFICATIONS

### Pressure Washer Specifications

PRESSURE	2000 psi
FLOW RATE	2.0 GPM
CHEMICAL MIX	Use as directed
WATER SUPPLY TEMPERATURE	Not to Exceed 140°F

### Engine Specifications

ENGINE MODEL	Briggs & Stratton
RATED HORSEPOWER	6
SPARK PLUG: Type:	Champion RJ-19LM or equivalent. Set Gap to: 0.030 inch (0.76mm)
GASOLINE CAPACITY	1.5 U.S. quarts
OIL	SAE 30 weight
SOLID STATE IGNITION AIR GAP	0.0125 inch

In the State of California a spark arrestor is required by law (Section 4442 of the California Public Resources Code). Other states may have similar laws. Federal laws apply on federal lands.

**Note:** If you equip the engine of your cleaning system with a spark arrestor muffler, the spark arrestor must be maintained in effective working order by the owner/operator.

You can order a spark arrestor through your Sears Service Center.

## GENERAL RECOMMENDATIONS

The warranty of the cleaning system does not cover items that have been subjected to operator abuse or negligence. To receive full value from the warranty, operator must maintain cleaning system as instructed in this manual.

Some adjustments will need to be made periodically to properly maintain your cleaning system.

All adjustments in the Service and Adjustments section of this manual should be made at least once each season.

- Once a year you should clean or replace the spark plug and replace the air filter and check the gun and wand assembly for wear. A clean spark plug and new air filter assure proper fuel-air mixture and help your engine run better and last longer.

## BEFORE EACH USE

- Check water inlet screen for damage.
- Check high pressure hose for leaks.
- Check chemical tanks and filters for damage.
- Check gun and wand assembly for leaks.
- Purge pump of air and contaminants.
- Check engine oil level.

## PRESSURE WASHER MAINTENANCE

### Check and Clean Inlet Screen

Examine garden hose inlet screen. Clean if it is clogged or replace if it is torn.

### Check High Pressure Hose

High pressure hoses can develop leaks from wear, kinking, or abuse. Inspect hose before each use. Check for cuts, leaks, abrasions, bulging of cover, or damage or movement of couplings. If any of these conditions exist, replace hose immediately.



**DANGER:** Never repair a high pressure hose. Replace with hose that meets the minimum pressure rating of your cleaning system.

### Check Chemical Reservoirs

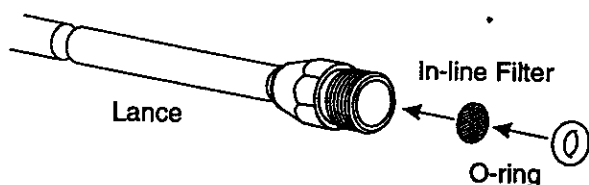
Tank covers should snap cleanly onto tank. Ensure chemical labels correctly identify tank contents. Ensure that the System Rinse tank is filled with clean water. Ensure that Dial-A-Cleaner™ selector knob rotates freely between each position. Examine the tanks and replace if the filter is clogged.

### Check Gun and Wand

Examine hose connection to gun and make sure it is secure. Test trigger by pressing it and making sure it springs back into place when you release it. Put safety latch in UP position and test trigger. You should not be able to press trigger. Replace gun immediately if it fails any of these tests.

### Check In-Line Filter

Refer to the illustration and service the in-line filter if it becomes clogged, as follows:



1. Detach gun and lance from high pressure hose. Detach lance from gun and remove o-ring and screen from lance. Flush the screen, gun, and lance with clean water to clear debris.

2. If the screen is damaged, the o-ring kit contains a replacement in-line filter screen and an o-ring. If undamaged, reuse screen.
3. Place the in-line filter screen into the threaded end of the lance. Direction does not matter. Push the screen in with the eraser end of a pencil until it rests flat at the bottom of the opening. Take care to not bend the screen.
4. Place the o-ring into the recess. Push the o-ring snugly against the in-line filter screen.
5. Assemble the lance to the spray gun, as described earlier in this manual.

### Purge Pump of Air and Contaminants

To remove the air from the pump, follow these steps:

- Set up the cleaning system as described in the ASSEMBLY section and connect the water supply.
- Remove the wand extension from the gun.
- Pull the trigger on the gun and hold until a steady stream of water appears.

To remove the contaminants from the pump, follow these steps:

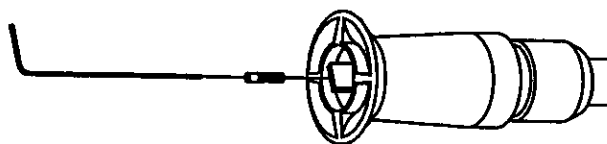
- Set up the cleaning system as described in the ASSEMBLY section, and connect the water supply.
- Remove the nozzle attachment from the gun.
- Start the engine according to instructions in OPERATION section.
- Pull the trigger on the gun and hold.
- When the water supply is steady and constant, engage the safety latch and refasten the nozzle attachment.

### Nozzle Maintenance

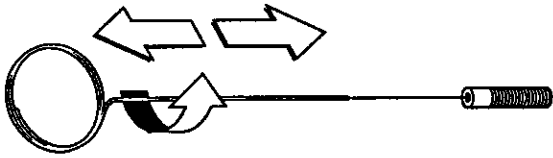
If the nozzle becomes restricted or clogged with foreign materials, such as dirt, excessive pump pressure may develop. A partially clogged nozzle can cause a pulsing condition during use. This generally is not a pump related problem, but rather a clogged or partially restricted nozzle.

If the nozzle becomes clogged or partially restricted, immediately clean the nozzle with the kit included with your cleaning system by following these instructions:

- Shut off the engine and turn off the water supply.
- Separate the wand from the gun.
- Rotate to stream setting.
- Remove nozzle from the end of the wand using a 2mm or 5/64 allen wrench.

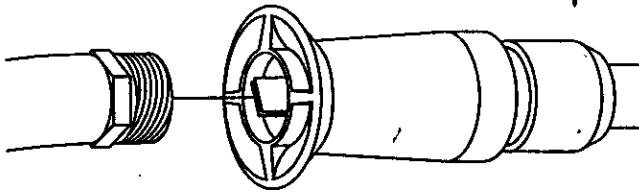


- Use the wire included in the kit or a small paper clip to free the foreign materials clogging or restricting the nozzle.



Insert wire into nozzle and turn back and forth to clear obstruction.

- Remove additional debris by back flushing water supply through wand. Back flush between 30 to 60 seconds. Turn wand to stream spray and move nozzle from low to high pressure while flushing.



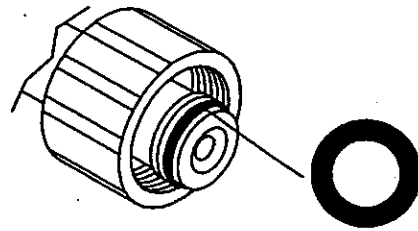
- Reinstall nozzle into wand. DO NOT overtighten.
- Reconnect wand extension to spray gun.
- Reconnect the water supply, turn ON the water, and start the engine.
- Test the cleaning system by operating with nozzle in the high and the low pressure positions.

### O-Ring Maintenance

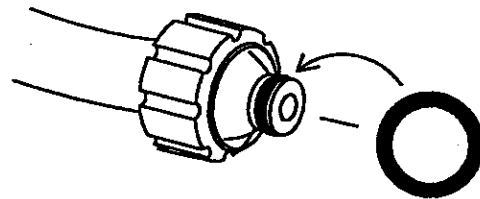
Through the normal operation of your cleaning system, the o-rings keep the connections of the hoses and gun tight and leak-free. They may become worn or damaged with use. Provided with your cleaning system is an O-ring Maintenance Kit containing replacement o-rings, a rubber washer and a garden hose inlet screen.

### Parts in the O-Ring Kit include:

- 1 o-ring, red, (p/n B2726) for the end of the spray gun connection between gun and high/low spray wand.

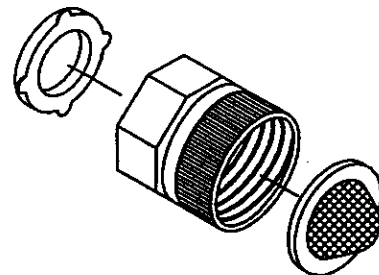


- 2 o-rings, yellow, (p/n B2264) for the ends of the high pressure hose.



**Note:** The above two o-rings are close in size. Please match carefully to assure proper o-ring usage.

- 1 rubber washer (p/n B2385) for the inside of the garden hose connector.
- 1 water inlet screen (p/n B2384) for the garden hose connector.



### To remove a worn or damaged O-Ring:

- Use a small flathead screwdriver to get underneath the o-ring and pry it off.

## ENGINE MAINTENANCE

Maintenance, replacement or repair of the emission control devices and systems may be performed by any non-road engine repair establishment or individual.

### Checking Oil Level

Oil level should be checked prior to each use or at least every 5 hours of operation. Keep oil level maintained.

### Changing Oil

Change engine oil after the first 2 hours and every 50 hours thereafter. If you are using your cleaning system under extremely dirty or dusty conditions, or in extremely hot weather, change oil more often.

Change oil while engine is still warm from running, as follows:

- Drain fuel tank by running pressure washer until fuel tank is empty.
- Clean area around oil fill, remove oil fill cap/dipstick. Wipe dipstick clean.
- Tip your pressure washer to drain oil from the oil fill tube into a suitable container. When crankcase is empty, return the pressure washer to upright position.
- Fill engine crankcase with recommended oil until oil level is at **FULL** point on dipstick. Do not overfill above that mark. **POUR SLOWLY.**
- When engine crankcase is filled to proper level, install and tighten oil cap/dipstick.

### Service Air Cleaner

Your engine will not run properly and may be damaged if you run it with a dirty air cleaner.

Replace the air cleaner once every 100 hours of operation or once each year, whichever comes first. Replace more often if operating under dirty or dusty conditions. Do not attempt to clean or oil filter. Replacements are available at your local Sears Authorized Service Center.

To clean or replace the air cleaner, follow these steps:

- Remove screw on the air cleaner cover.
- Remove dirty air cleaner carefully to prevent debris from falling into carburetor. Discard.
- Clean inside of filter case.
- Install new air filter.
- Reassemble all parts and fasten securely to the carburetor with the screw.

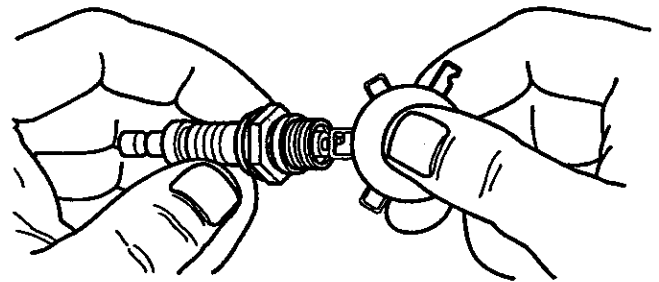
### Clean / Replace Spark Plug

Clean or replace the spark plug yearly or every 100 hours of operation.



**CAUTION:** Disconnect spark plug wire from spark plug and keep wire away from spark plug.

- Clean area around spark plug.
- Remove and inspect spark plug.
- Replace spark plug if the electrodes are pitted, burned or porcelain is cracked. For replacement use Champion RJ-19LM or equivalent.
- Check electrode gap with wire feeler gauge and set gap at .030 inches, if necessary.



- Install spark plug, tighten securely.

### Carburetor

If you think your carburetor needs adjusting, see your nearest Sears Service Center. Engine performance may be affected at altitudes above 4000 feet. For operation at higher elevations, contact your nearest Sears Service Center.

# STORAGE

## AFTER EACH USE

Water should not remain in the unit for long periods of time. Sediments of minerals can deposit on pump parts and "freeze" pump action. Follow these procedures after every use:

- Flush the chemical system by selecting the System Rinse tank and run the Pressure Washer with nozzle in low pressure mode. Flush for one minute or until the chemical is cleared from the system.
- Shut off the engine and let it cool, then remove all hoses.



**CAUTION:** Be sure the engine Run/Stop switch is in the '0' or Stop position before you continue.

- Empty the pump of all pumped liquids by pulling recoil handle about 6 times with the Run/Stop switch in the '0' or Stop position. This should remove most of the liquid in the pump.
- Rotate the Dial-A-Cleaner™ selector knob to the OFF position.
- Coil the high pressure hose and inspect it for damage. Cuts in the hose or fraying could result in leaks and loss of pressure. Should any damage be found, replace the hose. DO NOT attempt to repair a damaged hose. Replace the hose with the genuine Craftsman part.
- Drain water from hose and properly hang it on the wire support provided.
- Store system in a clean, dry area.



**DANGER:** Never store the engine with fuel in the gas tank indoors or in enclosed, poorly ventilated areas where fumes may reach an open flame, a spark, or pilot light.

## WINTER STORAGE



**CAUTION:** You must protect your unit from freezing temperatures. Failure to do so will permanently damage your pump and render your unit inoperable.

**To protect the unit from freezing temperatures:**

- Empty all chemical reservoirs as follows:
  - a. Disconnect hose connected to chemical inject fitting on the pump. Place end of hose into suitable container.
  - b. Move the selector knob to Tank A and open that tank's cover. Gravity should shortly empty the tank contents into the container.
  - c. When the tank is empty, repeat step (b) for tanks B and C.
  - d. Reconnect the hose to the chemical inject fitting on the pump. Add 0.5 liter of clean fresh water to each tank and close tank's covers.

- Flush the chemical system by selecting a tank and run the Pressure Washer with nozzle in low pressure mode. Flush until each tank is empty, then switch the selector knob to the next tank. The last tank to be emptied must be the System Rinse tank.
- Connect a 3-foot section of garden hose to the inlet adapter. Pour RV-Antifreeze (antifreeze without alcohol) into the hose. Pull the recoil handle twice.

## LONG TERM STORAGE

If you do not plan to use the Pressure Washer for more than 30 days, you must prepare the engine for long term storage.

It is important to prevent gum deposits from forming in essential fuel system parts such as the carburetor, fuel filter, fuel hose or tank during storage. Also, experience indicates that alcohol-blended fuels (called gasohol, ethanol or methanol) can attract moisture which leads to separation and formation of acids during storage. Acidic gas can damage the fuel system of an engine while in storage.

## Protect Fuel System



**DANGER:** Drain fuel into approved container outdoors, away from open flame. Be sure engine is cool. Do not smoke.

- Remove all gasoline from the fuel tank to prevent gum deposits from forming on these parts and causing possible malfunction of engine.
- Run engine until engine stops from lack of fuel. Make sure you have water supply to pump inlet connected and turned ON.

## Change Oil

While engine is still warm, drain oil from crankcase. Refill with recommended grade. (See Changing Oil)

## Oil Cylinder Bore

- Remove spark plug. Squirt about 1 ounce (30 ml) of engine oil into the cylinder. Cover spark plug hole with rag. Crank engine slowly to distribute oil.



**CAUTION:** Avoid spray from spark plug hole when cranking engine.

- Install spark plug. Do not connect spark plug wire.

## OTHER

- Do not store gasoline from one season to another.
- If possible, store your unit indoors and cover it to give protection from dust and dirt. **BE SURE TO EMPTY THE FUEL TANK.**

**IMPORTANT:** NEVER cover your cleaning system while engine and exhaust area are warm.

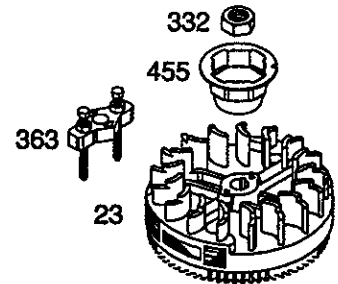
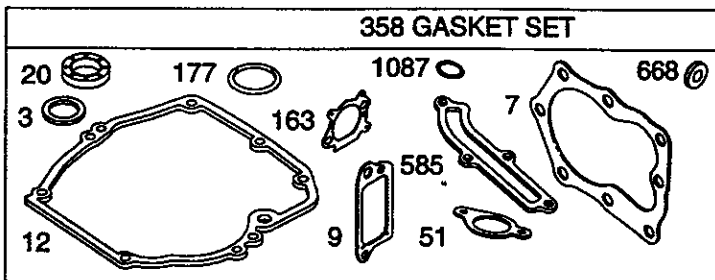
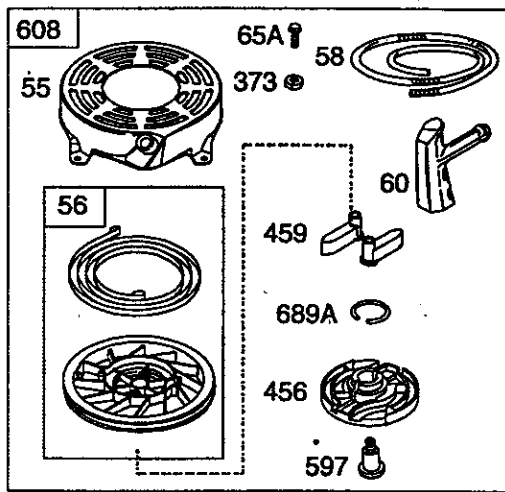
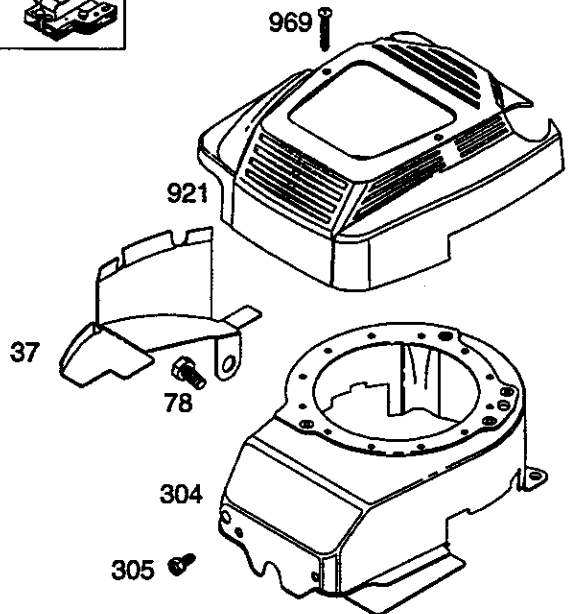
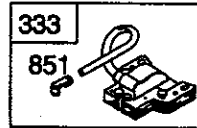
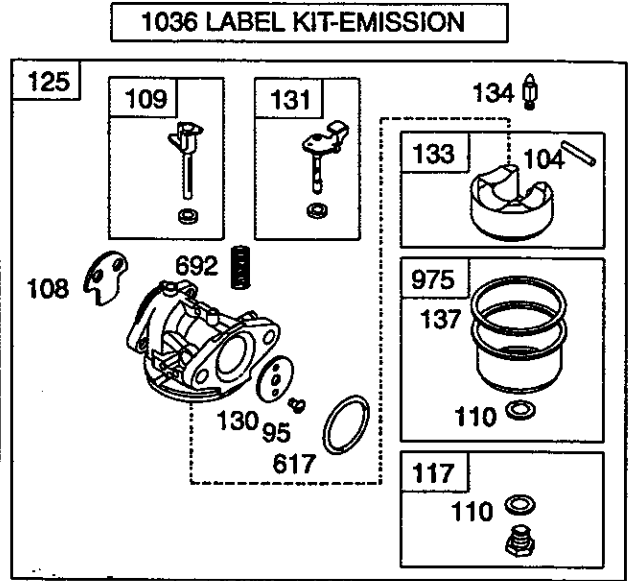
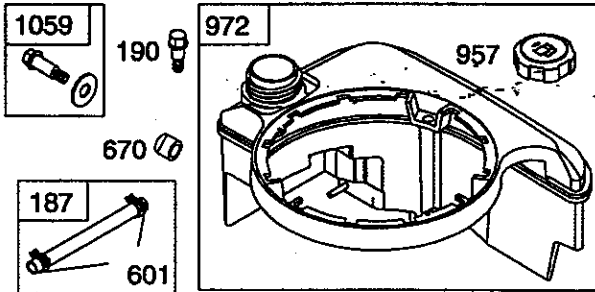
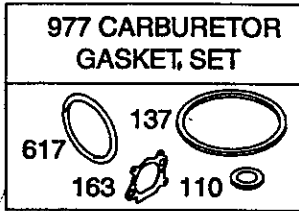
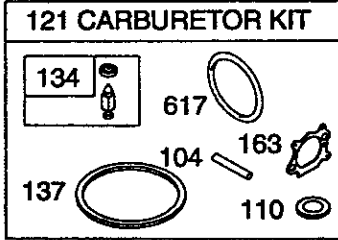
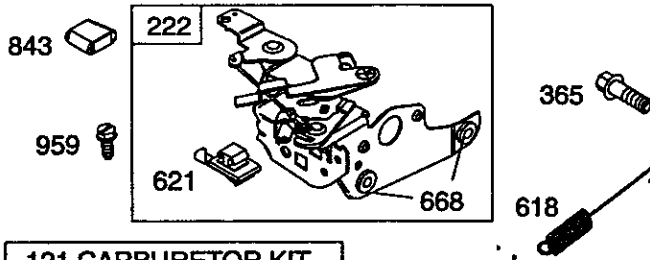
# TROUBLESHOOTING

PROBLEM	CAUSE	CORRECTION
<p>Pump has following problems: failure to produce pressure, or erratic pressure, chattering, loss of pressure, low water volume.</p>	<ol style="list-style-type: none"> <li>1. Nozzle in low pressure mode.</li> <li>2. Water inlet is blocked.</li> <li>3. Inadequate water supply</li> <li>4. Inlet hose is kinked or leaking</li> <li>5. Clogged water inlet screen.</li> <li>6. Water supply is over 140°F.</li> <li>7. Outlet hose is blocked.</li> <li>8. Outlet hose leaks.</li> <li>9. Gun leaks.</li> <li>10. Nozzle is obstructed.</li> <li>11. Pump is faulty.</li> </ol>	<ol style="list-style-type: none"> <li>1. Pull nozzle backward for high pressure mode.</li> <li>2. Clear inlet</li> <li>3. Provide adequate water flow at least 2.5 gpm.</li> <li>4. Straighten inlet hose, patch leak.</li> <li>5. Replace / clean water inlet screen.</li> <li>6. Provide cooler water supply.</li> <li>7. Clear blocks in outlet hose.</li> <li>8. Replace outlet hose if leaking.</li> <li>9. Replace O-ring or gun if necessary.</li> <li>10. Clear nozzle.</li> <li>11. Contact Sears Service Department.</li> </ol>
<p>Detergent fails to mix.</p>	<ol style="list-style-type: none"> <li>1. Detergent line is collapsed or kinked</li> <li>2. Chemical tank filter is clogged.</li> <li>3. Nozzle is in high pressure mode.</li> <li>4. Dial-a-Cleaner knob is in off position.</li> </ol>	<ol style="list-style-type: none"> <li>1. Repair or replace detergent line.</li> <li>2. Replace tank</li> <li>3. Push nozzle forward for low pressure mode.</li> <li>4. Rotate knob for desired chemical.</li> </ol>
<p>Engine runs good when not spraying but dies when you begin to spray.</p>	<p>Engine speed is too slow.</p>	<p>Contact Sears Service Department.</p>
<p>Engine will not start; or starts and runs rough</p>	<ol style="list-style-type: none"> <li>1. Dirty air cleaner</li> <li>2. Out of gasoline.</li> <li>3. Stale gasoline.</li> <li>4. Spark plug wire not connected to spark plug.</li> <li>5. Bad spark plug.</li> <li>6. Water in gasoline.</li> <li>7. Overchoking or flooded</li> <li>8. Excessively rich fuel mixture.</li> <li>9. Intake valve stuck open or closed.</li> <li>10. Engine has lost compression.</li> </ol>	<ol style="list-style-type: none"> <li>1. Clean or replace air cleaner.</li> <li>2. Fill fuel tank.</li> <li>3. Drain gas tank; fill with fresh fuel.</li> <li>4. Connect wire to spark plug.</li> <li>5. Replace spark plug.</li> <li>6. Drain gas tank; fill with fresh fuel.</li> <li>7. Set engine throttle control lever to fast position, choke in run position.</li> <li>8. Contact Sears Service Department.</li> <li>9. Contact Sears Service Department.</li> <li>10. Contact Sears Service Department.</li> </ol>
<p>Engine shuts down during operation</p>	<ol style="list-style-type: none"> <li>1. Out of gasoline.</li> <li>2. Air filter dirty</li> </ol>	<ol style="list-style-type: none"> <li>1. Fill fuel tank.</li> <li>2. Replace Air filter.</li> </ol>
<p>Engine lacks power.</p>	<p>Dirty air filter.</p>	<p>Replace air filter.</p>

# NOTES

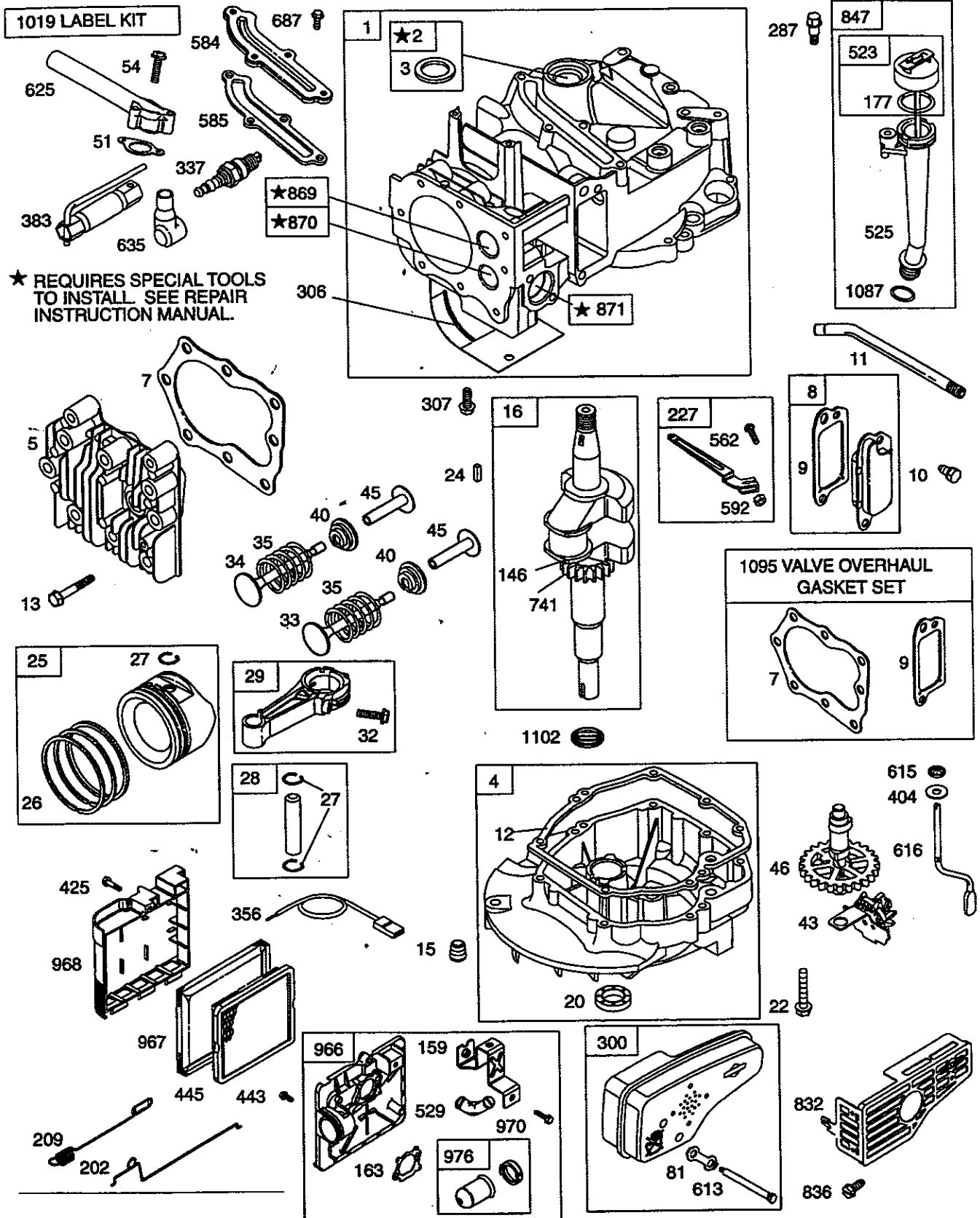
# PARTS

Craftsman 2000 PSI Cleaning System 580.768020  
 Briggs & Stratton 6HP Quantum #12H802-2383-E1





**Craftsman 2000 PSI Cleaning System 580.768020**  
**Briggs & Stratton 6HP Quantum #12H802-2383-E1**



**Craftsman 2000 PSI Cleaning System 580.768020  
Briggs & Stratton 6HP Quantum #12H802-2383-E1**

<u>Item</u>	<u>Kit</u>	<u>Part #</u>	<u>Description</u>	<u>Item</u>	<u>Kit</u>	<u>Part #</u>	<u>Description</u>
1		493260	Cylinder Assembly	45		262204	Tappet-Valve
2		293708	Bushing/Seal Kit	46		498275	Gear-Cam
3	†	299819	Seal-Oil	51	†	272199	Gasket-Intake
4		493279	Sump-Engine	54		94526	Screw (Intake Manifold)
5		214368	Head-Cylinder	55		497440	Housing-Rewind Starter
7	†+	272916	Gasket-Cylinder Head	56		498144	Pulley-Starter
8		495786	Breather Assembly	58		280399	Rope-Starter (Cut to Required Length)
9	†+	272481	Gasket-Breather				
10		691125	Screw (Breather Assermbly)	60		281434	Grip-Starter Rope
11		691781	Tube-Breather	65A		94686	Screw (Rewind Starter Housing)
12	†	272198	Gasket-Crankcase				
13		94547	Screw (Cylinder Head)	78		691108	Screw (Flywheel Guard)
15		94720	Plug-Oil Drain	81		223664	Lock-Muffler Screw
16		498565	Crankshaft	95		94098	Screw (Throttle Valve)
20	†	399781	Seal-Oil	104	‡	231371	Pin-Float Hinge
22		94220	Screw (Engine Sump)	108		223471	Valve-Choke
22			———— Note ———	109		498593	Choke Shaft Kit
22		94612	Screw (One Used in Hole Nearest Breather)	110	‡¥		Washer (Sold in Kit Only)
				117		498478	Jet-Main
23		691992	Flywheel	121		498260	Carburetor Kit
24		222698	Key-Flywheel	125		499059	Carburetor
25		499429	Piston Assembly (Standard)	130		224908	Valve-Throttle
25			———— Note ———	131		493267	Shaft-Throttle
25		499430	Piston Assy. (.010" O.S.)	133		398187	Float-Carburetor
25		499431	Piston Assy. (.020" O.S.)	134	‡	398188	Valve-Needle (Includes Seat)
25		499432	Piston Assy. (.030" O.S.)	137	‡¥		Gasket-Float Bowl (Sold in Kit Only)
26		499425	Ring Set (Standard)				
26		499426	Ring Set (.010" O.S.)	146		94388	Key-Timing
26		499427	Ring Set (.020" O.S.)	159		224815	Bracket-Support
26		499428	Ring Set (.030" O.S.)	163	‡‡¥	272653	Gasket-Air Cleaner
27		263190	Lock-Piston Pin	177	†	280393	Seal-O-Ring
28		499423	Pin-Piston	187		492790	Line-Fuel (Molded)
29		499424	Rod-Connecting	190		94511	Screw (Fuel Tank)
32		94699	Screw (Connecting Rod)	202		262579	Link-Mechanical Governor
33		262651	Valve-Exhaust	209		693187	Spring-Governor
34		262652	Valve-Intake	222		692150	Bracket-Control
35		262224	Spring-Valve	227		492349	Lever-Governor
37		224511	Guard-Flywheel	287		94511	Screw (Oil Fill Tube)
40		93312	Retainer-Valve	300		497838	Muffler-Exhaust
43		493737	Governor/Oil Slinger	304		493294	Housing-Blower

**Craftsman 2000 PSI Cleaning System 580.768020  
Briggs & Stratton 6HP Quantum #12H802-2383-E1**

<u>Item</u>	<u>Kit</u>	<u>Part #</u>	<u>Description</u>	<u>Item</u>	<u>Kit</u>	<u>Part #</u>	<u>Description</u>
305		691108	Screw (Blower Housing)	687		94515	Screw (Breather Passage Cover)
306		224324	Shield-Cylinder				
307		94515	Screw (Cylinder Shield)	689A		263073	Spring-Friction
332		690662	Nut (Flywheel )	692		262715	Spring-Detent
333		802574	Armature-Magneto	741		262598	Gear-Timing
334		94731	Screw (Magneto Armature)	832		499034	Guard-Muffler
337		802592	Plug-Spark	836		49874	Screw (Muffler Guard)
356		497833	Wire-Stop	843		272616	Sleeve-Lever
358		497316	Gasket Set	847		495263	Dipstick/Tube Assembly
363		19069	Flywheel-Puller	851		493880	Terminal-Cable
365		94525	Screw (Carburetor)	869		213512	Seat-Valve (Intake)
373		92987	Nut (Rewind Starter Housing)	870		213513	Seat-Valve (Exhaust )
383		89838	Wrench-Spark Plug	871		262001	Bushing-Guide (Exhaust Valve )
404		67072	Washer (Governor Crank)				———— Note ———
425		94872	Screw (Air Cleaner Cover)	871			
443		692523	Screw (Interlock Switch)	871		63709	Bushing-Guide (Intake Valve )
445		491588	Filter-A/C Cartridge	921		497233	Cover-Blower Housing
455		225121	Cup-Flywheel	957		397974	Cap-Fuel Tank
456		281503	Plate-Pawl Friction	959		690877	Screw (Control Bracket)
459		281505	Pawl-Ratchet	966		496116	Base-A/C Primer
523		495264	Dipstick	967		493537	Filter-Pre Cleaner
525		495265	Tube-Oil Fill	968		281340	Cover-Air Cleaner
529		281299	Grommet	969		94696	Screw (Blower Housing Cover)
562		92613	Bolt (Governor Lever)	970		94749	Screw (Support Bracket)
584		224328	Breather Passage Cover	972		495224	Tank-Fuel
585	†	272238	Gasket-Breather Passage	975		493640	Bowl-Float
592		231082	Nut (Governor Lever)	976		496115	Primer-Carburetor
597		94943	Screw (Pawl Friction Plate)	977		498261	Gasket Set-Carburetor
601		93053	Clamp-Fuel Line	1019		494256	Label Kit
608		497680	Starter-Rewind	1036		499341	Label Kit-Emission
613		94231	Screw (Exhaust Muffler)	1058		273693	Owner's Manual
615		94474	Retainer	1059		398540	Screw/Washer Kit
616		263175	Crank-Governor	1087	†	280966	Seal-O-Ring
617	‡	270344	Seal-Intake Manifold	1095		498528	Gasket Set-Valve Overhaul
618		262749	Spring	1102		232153	Pilot-Guide
621		396847	Switch-Stop				
625		497465	Manifold-Intake				
635		66538	Boot-Spark Plug				
668	†	493823	Spacer (Includes 2)				
670		280512	Spacer-Fuel Tank				

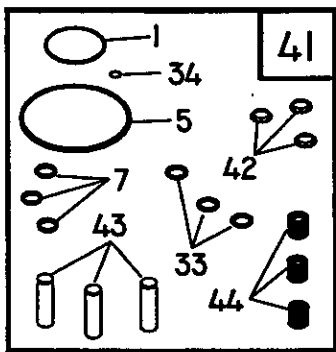
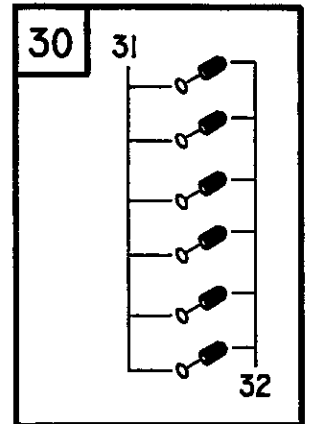
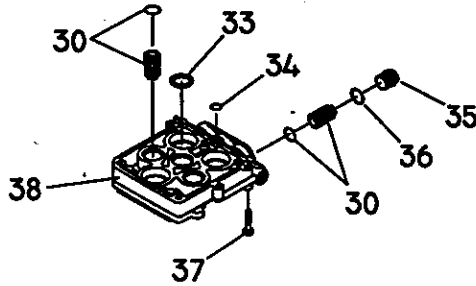
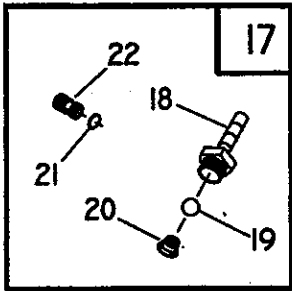
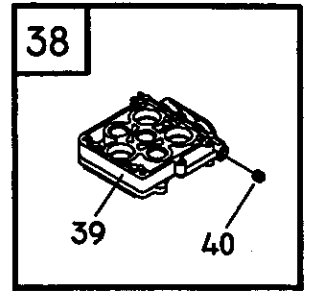
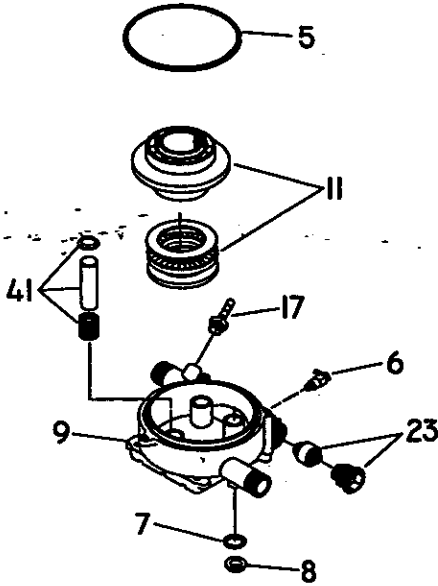
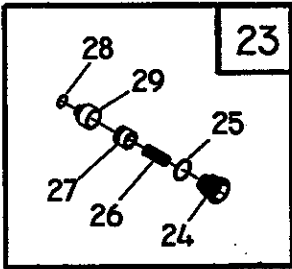
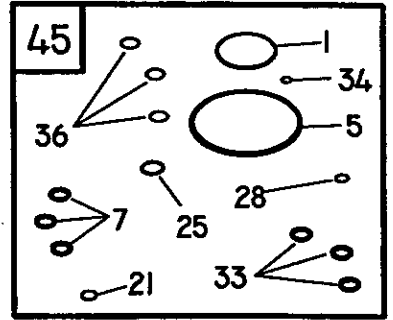
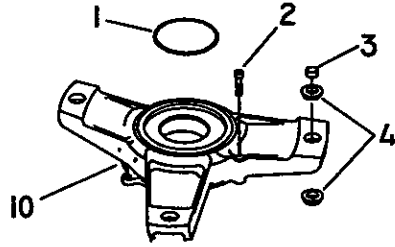
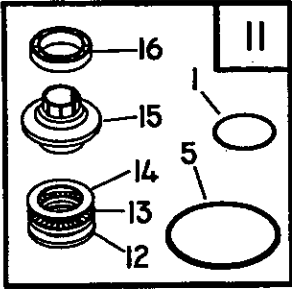
† Included in Gasket Set, Ref Number 358.

‡ Included in Carburetor Kit, Ref Number 121.

¥ Included in Carburetor Gasket Set, Ref Number 977.

+ Included in Value Overhaul Kit, Ref Number 1095.

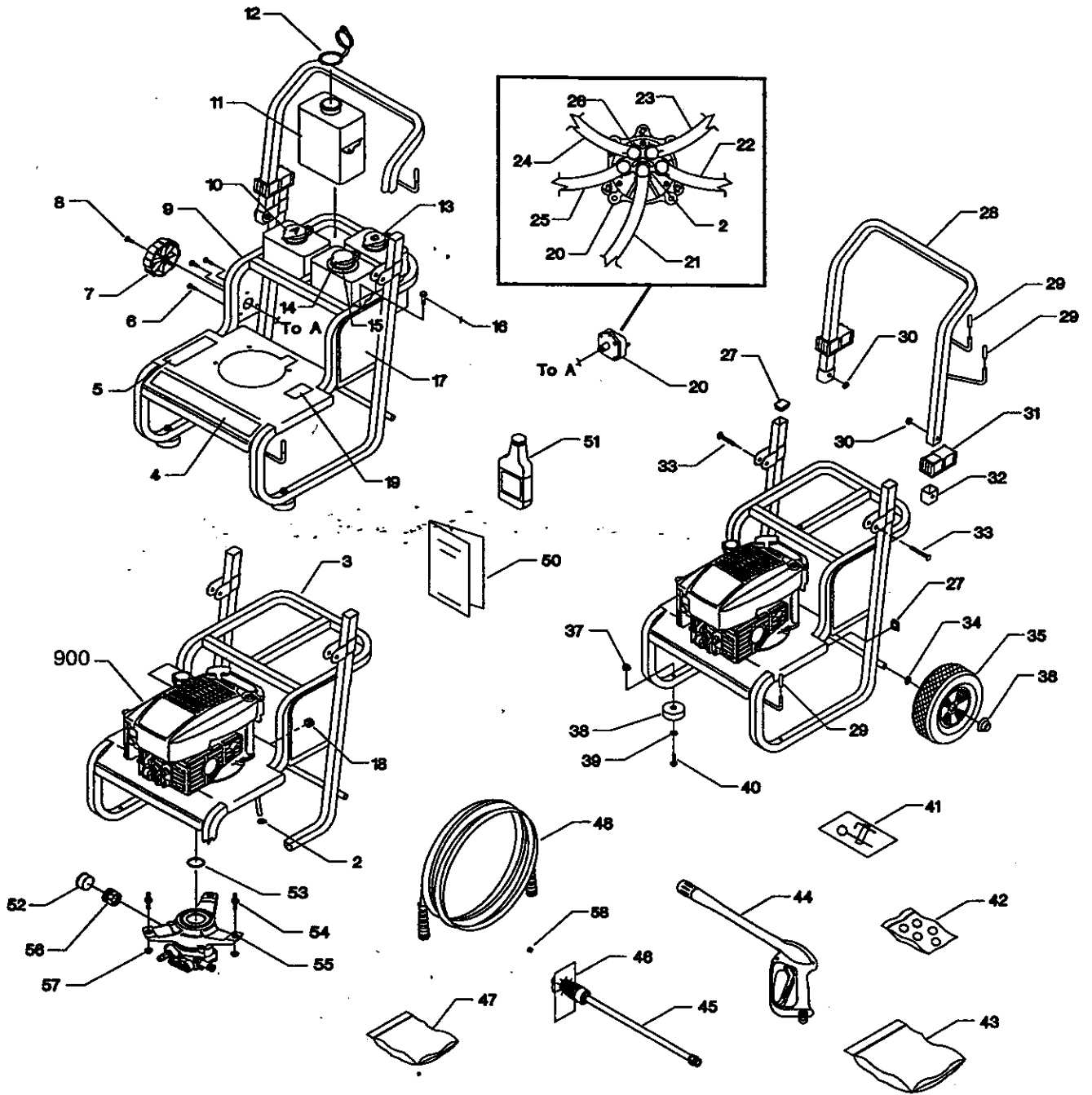
**Craftsman 2000 PSI Cleaning System 580.768020  
Pump**



**Craftsman 2000 PSI Cleaning System 580.768020  
Pump**

<u>Item</u>	<u>Part #</u>	<u>Qty</u>	<u>Description</u>	<u>Item</u>	<u>Part #</u>	<u>Qty</u>	<u>Description</u>
1	98300	1	SEAL, Engine Donut	27	.....	1	PISTON, Unloader
2	97962	3	SHCS, M6 - 1 x 25	28	.....	1	O-RING, .364 ID x .070
3	96795	3	SLEEVE, Grommet	29	.....	1	SEAT, 2000 Unloader
			Spacer	30	B3513	0	KIT, CHECK VALVES
4	21429	6	BUSHING, Rubber	31	.....	6	O-RING, Check Valve
			Mount	32	.....	6	ASSY., Check Valve
5	97835	1	O-RING, Housing Seal	33	B3286	3	SEAL, Double-Lip
6	21783	1	THERMAL RELIEF, GPW-EG	34	97837	1	O-RING, Hi-Pressure Transfer
7	93680	3	SEAL, Oil Piston 15 TC4	35	97841	3	CAP, Outlet Check Valve
8	97831	3	SPACER, Pilot	36	97840	3	O-RING, Outlet CV Cap
9	B2702	1	HOUSING, Piston	37	40946	4	SHCS, M6-1.0 x 35
10	98227	1	ADAPTER, Engine	38	B4186	0	KIT, HEAD CASTING SFG
11	B2310	0	KIT, AXIAL CAM SERV	39	.....	1	HEAD, Pump
12	.....	1	WASHER, Brg. 36 x 65 x 6Thk	40	.....	1	PLUG, 1/8-28 W/VIRB
13	.....	1	ASSY., Brg. Cage 45 x 65	41	B2312	0	KIT, PISTON & SPRING
14	.....	1	WASHER, Brg. 45 x 65 x 1	42	.....	3	RETAINER, Piston Spring
15	.....	1	CAM, Axial 5.6 VS	43	.....	3	PISTON, Dia. 15 x 65 Lg
16	.....	1	BALL BEARING, 35 x 72 x 17	44	.....	3	SPRING, Piston Return
17	B3829	0	KIT, CHEM INJECT SERV	45	B1933	0	KIT, O-RING/SEAL SERV
18	.....	1	FITTING, Chem Inject				SEAL, Engine Donut
19	.....	1	BALL, Chem Inject	1	.....	1	O-RING, Housing Seal
20	.....	1	SPRING, Chem Inject	5	.....	1	SEAL, Oil Piston 15 TC4
21	.....	1	O-RING, Venturi	7	.....	3	O-RING, Venturi
22	.....	1	VENTURI, Chem Inject				O-RING, Unloader Cap
23	B3828	0	KIT, UNLOADER	21	.....	1	O-RING, .364ID x .070
24	.....	1	CAP, Unloader	25	.....	1	SEAL, Double-Lip
25	.....	1	O-RING, Unloader Cap	28	.....	3	O-RING, Outlet CV Cap
26	.....	1	SPRING, 2000 Unloader	33	.....	3	
				34	.....	3	

**Craftsman 2000 PSI Cleaning System 580.768020  
Main Unit**



**Craftsman 2000 PSI Cleaning System 580.768020  
Main Unit**

Item	Part #	Qty.	Description	Item	Part #	Qty.	Description
2	48031C	2	CLAMP, Hose 1/2"	37	52858	2	NUT, M8 - 1.25 Locking
3	EB3637	1	CRADLE, Polo Green	38	27007	2	MOUNT, Vibration Donut Type
4	B3615	1	DECAL, Logo	39	50190	2	FLAT WASHER, M8
5	B4141	1	DECAL, Start Instructions	40	51731	2	HHCS, M8 x 1.25 x 50 Long
6	B3377	3	SCREW, Plastite 8 - 11 3/4"	41	B3708	1	KIT, Cleaning Nozzle
7	B3721	1	HANDLE, 4-Way Valve	42	B2730	1	KIT, Maintenance
8	B3311	1	SCREW, Plastite 10 - 9	43	B3589	1	KIT, 3 Pak Concentrate
9	B3650	1	DECAL, Control Panel 1282	44	B3263	1	GUN, High Pressure
10	B3222A	1	CAP, Chem Container "A"	45	B3335	1	WAND, Nozzle Hi/Lo
11	B3594	4	ASSY., Chemical Tank 1/2 Gal.	46	97566	1	TAG, Nozzle Instructions
12	B3222B	1	CAP, Chem Container "B"	47	B3454	1	KIT, Tag
13	B3222C	1	CAP, Chem Container "C"	48	B3607	1	HOSE, 1/4" x 25'
14	B3222D	1	CAP, Chem Container "Water"	50	B3639	1	MANUAL
15	B3376B	1	TAG, System Flush Water	51	AB3061B	1	OIL BOTTLE, 20 oz
16	B3695	8	BOLT, 1/4" - 20 with Washer	52	A1408	1	CAP, Hose Connector
17	B3603	1	DECAL, Warning/Start	53	98300	1	SEAL, Engine Donut
18	30809	1	GROMMET, Chemical Hose	54	B1735	3	STUD, Double Ended
19	96307	1	DECAL, 1-800 Number	55	B3468A	1	ASSY., Pump EG with Thermal
20	B3306	1	ASSY., Sub 4-Way Valve	56	21424	1	CONNECTOR, Garden Hose
21	B3601B	1	HOSE, Chemical Pump 22"	57	B1880	3	NUT, with Washer
22	B3577A	1	HOSE, "A" - 6"	58	21761	1	NOZZLE, Replacement
23	B3577B	1	HOSE, "B" - 12"	900	NSP	1	ENGINE
24	B3577C	1	HOSE, "C" - 14"				
25	B3577D	1	HOSE, "Water" - 12"				
26	48031G	5	CLAMP, Hose 3/16"				
27	46476	4	CAP PLUG, Tubing				
28	EB3782	1	HANDLE, Polo Green				
29	B2516	3	CAP, Vinyl Black				
30	B2071	2	NUT, 1/4" - 20 Flange Locking				
31	B1779	2	COVER, Hinge				
32	B2347	2	END CAP, Tube				
33	31669	1	BOLT, 1/4"-20 x 1-3/4" Carriage				
34	49808	2	WASHER, M12 Flat				
35	B2142	2	ASSY., Wheel & Tire 2" x 9"				
36	75402	2	PUSHNUT, 1/2"				

**Optional Accessories Not Illustrated**

71-74300	House Wash Concentrate
71-74301	Deck Wash Concentrate
71-74302	Vehicle Wash Concentrate
71-74303	Degreaser Concentrate
71-75115	Replacement Hose
71-75116	O-Ring Repair Kit
71-75187	Garden Hose Quick Connect Kit
71-75197	Accessory Quick Connect Kit
71-75199	Rotating Brush Kit
71-76485	Turbo Nozzle

# EMISSIONS CONTROL WARRANTY STATEMENT

## **BRIGGS & STRATTON CORPORATION (B&S), THE CALIFORNIA AIR RESOURCES BOARD (CARB) AND THE UNITED STATES ENVIRONMENTAL PROTECTION AGENCY (U.S. EPA) EMISSION CONTROL SYSTEM WARRANTY STATEMENT (OWNER'S DEFECT WARRANTY RIGHTS AND OBLIGATIONS)**

In the interest of the environment, Briggs & Stratton engines that meet strict emission requirements are labeled, "This engine conforms to 1995-1998 California Emission Control Regulations for ULGE engines and U.S. EPA Phase 1 regulations for small non-road engines." EMISSION CONTROL WARRANTY COVERAGE IS APPLICABLE ONLY TO CERTIFIED ENGINES PURCHASED IN CALIFORNIA IN 1995 AND THEREAFTER WHICH ARE USED IN CALIFORNIA AND TO CERTIFIED MODEL YEAR 1997 AND LATER ENGINES WHICH ARE PURCHASED AND USED ELSEWHERE IN THE UNITED STATES.

### **California and United States Emission Control Defects Warranty Statement**

CARB, U.S. EPA and B&S are pleased to explain the Emission Control System Warranty Statement on your 1996 and later utility or lawn and garden equipment (ULGE) engine. In California, new ULGE engines produced on or after August 1, 1995 must be designed, built and equipped to meet the State's stringent anti-smog standards. Elsewhere in the United States, new non-road, spark-ignition engines certified for model year 1997 and alter, must meet similar standards set forth by the U.S. EPA. B&S must warrant the emission control system on your engine for the periods of time listed below provided there has been no abuse, neglect or improper maintenance of your ULGE engine.

Your emission control system includes parts such as the carburetor, air cleaner, ignition system, muffler and catalytic converter. Also included may be connectors and other emission related assemblies. Where a warrantable condition exists, B&S will repair your ULGE engine at no cost to you including diagnosis, parts and labor.

### **Briggs and Stratton Emission Control Defects Warranty Coverage**

ULGE engines are warranted relative to emission control parts defects for a period of two years, subject to the provisions set forth below. If any covered part on your engine is defective, the part will be repaired and replaced by B&S.

### **Owner's Warranty Responsibilities**

As the ULGE engine owner you are responsible for the performance of the required maintenance listed in your Operator/Owner Manual. B&S recommends that you retain all of your receipts covering maintenance on your ULGE engine, but B&S cannot deny warranty solely for the lack of receipts or for your failure to ensure the performance of all scheduled maintenance.

As the ULGE engine owner, you should however be aware that B&S may deny you warranty coverage if your ULGE engine or a part has failed due to abuse, neglect, improper maintenance or unapproved modifications.

You are responsible for presenting your ULGE engine to an Authorized B&S Service Dealer as soon as a problem exists. The undisputed warranty repairs should be completed in a reasonable amount of time, not to exceed 30 days.

If you have any questions regarding your warranty rights and responsibilities, you should contact a B&S Service Representative at 1-414-259-5262.

The emission warranty is a defects warranty. Defects are judged on normal engine performance. The warranty is not related to an in-use emission test.



## **BRIGGS AND STRATTON EMISSION CONTROL DEFECTS WARRANTY PROVISIONS**

The following are specific provisions relative to your Emissions Control Defects Warranty Coverage. It is in addition to the B&S engine warranty for non-regulated engines found in the Operator/Owner's Manual.

### **1. Warranted Parts**

Coverage under this warranty extends only to the parts listed below (the emission control systems parts) to the extent these parts were present on the engine purchased.

#### **a. Fuel Metering System**

- Cold start enrichment system (soft choke)
- Carburetor and internal parts
- Fuel Pump

#### **b. Air Induction System**

- Air cleaner
- Intake manifold

#### **c. Ignition system**

- Spark Plugs
- Magneto ignition system

#### **d. Catalyst System**

- Catalyst converter
- Exhaust manifold
- Air injection system or pulse valve

#### **e. Miscellaneous Items Used in Above Systems**

- Vacuum, temperature, position, time sensitive valves and switches
- Connectors and Assemblies

### **2. Length of Coverage**

B&S warrants to the initial owner and each subsequent purchaser that the Warranted Parts shall be free from defects in materials and workmanship which caused the failure of the Warranted Parts for a period of two years from the date the engine is delivered to a retail purchaser.

### **3. No Charge**

Repair or replacement of any Warranted Part will be performed at no charge to the owner, including diagnostic labor which leads to the determination that a Warranted Part is defective, if the diagnostic work is performed at an Authorized B&S Service Dealer. For emissions warranty service contact your nearest Authorized B&S Dealer as listed in the "Yellow Pages" under "Engines, Gasoline," "Gasoline Engines," "Lawn Mowers" or similar category.

### **4. Claims and Coverage Exclusions**

Warranty claims should be filed in accordance with the provisions of the B&S Engine Warranty Policy. Warranty coverage shall be excluded for failures of Warranted Parts which are not original B&S parts or because of abuse, neglect or improper maintenance as set forth in the B&S Engine Warranty Policy. B&S is not liable to cover failures of Warranted Parts caused by the use of add-on, non-original, or modified parts.

### **5. Maintenance**

Any Warranted Part which is not scheduled for replacement as required by maintenance or which is scheduled only for regular inspection to the effect of "repair or replace as necessary" shall be warranted as to defects for the warranty period. Any Warranted part which is scheduled for replacement as required by maintenance shall be warranted as to defects only for the period of time up to the first scheduled replacement for that part. Any replacement part that is equivalent in performance and durability may be used in the performance of any maintenance or repairs. The owner is responsible for the performance of all required maintenance, as defined in the B&S Operator/Owner Manual.

### **6. Consequential Coverage**

Coverage here under shall extend to the failure of any engine components caused by the failure of any Warranted Part still under warranty.

**For in-home major brand repair service:**

Call 24 hours a day, 7 days a week

**1-800-4-MY-HOME<sup>SM</sup>** (1-800-469-4663)

**Para pedir servicio de reparación a domicilio – 1-800-676-5811**

In Canada for all your service and parts needs call – **1-800-665-4455**  
Au Canada pour tout le service ou les pièces

**For the repair or replacement parts you need:**

Call 7 am – 7 pm, 7 days a week

**1-800-366-PART** (1-800-366-7278)

**Para ordenar piezas con entrega a domicilio – 1-800-659-7084**

**For the location of a Sears Parts and Repair Center in your area:**

Call 24 hours a day, 7 days a week

**1-800-488-1222**

**For information on purchasing a Sears Maintenance Agreement  
or to inquire about an existing Agreement:**

Call 9 am – 5 pm, Monday – Saturday

**1-800-827-6655**



**The Service Side of Sears<sup>SM</sup>**