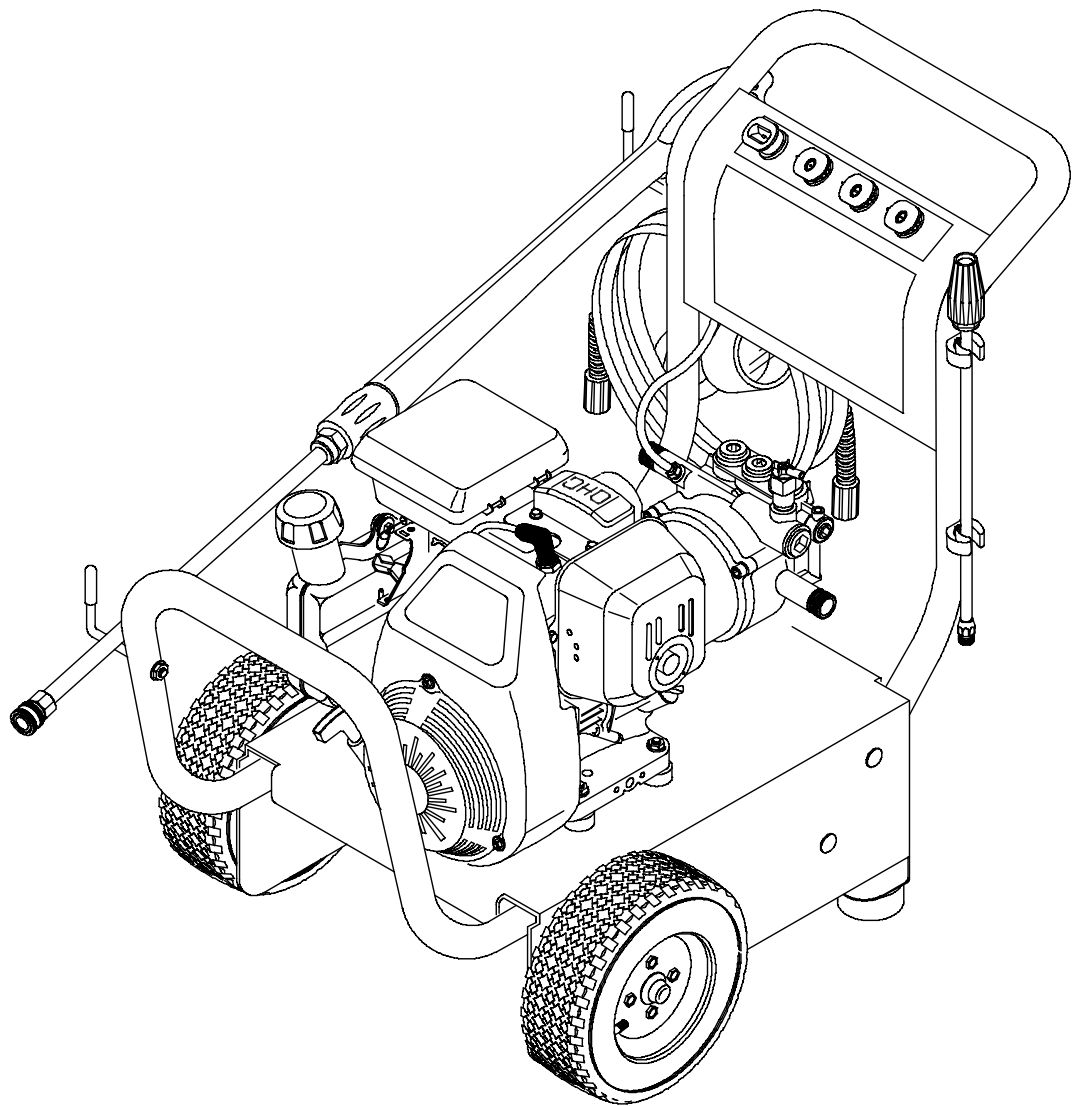


GENERAC[®]
Portable Products

2400 PSI



Pressure Washer Owner's Manual

Questions? Help is just a moment away!

Call: **Generac Generator Helpline - 1-800-270-1408** M-F 8-5 CT

Web: www.generac-portables.com

Model No. 1450-0 (2400 PSI Pressure Washer) Manual No. 185694GS Revision 5 (06/03/2002)



TABLE OF CONTENTS

Safety Rules	2-3
Know Your Pressure Washer	4
Assembly	5-7
Operation	8-10
Product Specifications	10
Maintenance	11-13
Storage	13
Notes	14
Troubleshooting	15
Replacement Parts	16-19
Warranty	Last Page

EQUIPMENT DESCRIPTION

Read this manual carefully and become familiar with your pressure washer. Know its applications, its limitations and any hazards involved.


Every effort has been made to ensure that information in this manual is accurate and current. However, Generac reserves the right to change, alter or otherwise improve the product and this document at any time without prior notice.

WARNING

The engine exhaust from this product contains chemicals known to the State of California to cause cancer, birth defects, or other reproductive harm.

In the State of California a spark arrester is required by law (Section 4442 of the California Public Resources Code). Other states may have similar laws. Federal laws apply on federal lands. If you equip the muffler with a spark arrester, it must be maintained in effective working order.

SAFETY RULES

The safety alert symbol () is used with a signal word (DANGER, CAUTION, WARNING), a pictorial and/or a safety message to alert you to hazards. **DANGER** indicates a hazard which, if not avoided, will result in death or serious injury. **WARNING** indicates a hazard which, if not avoided, could result in death or serious injury. **CAUTION** indicates a hazard which, if not avoided, might result in minor or moderate injury. **CAUTION**, when used **without** the alert symbol, indicates a situation that could result in equipment damage. Follow safety messages to avoid or reduce the risk of injury or death.

WARNING



Gasoline and its vapors are extremely flammable and explosive. Fire or explosion can cause severe burns or death.

WHEN ADDING FUEL

- Turn pressure washer OFF and let it cool at least 2 minutes before removing gas cap.
- Fill fuel tank outdoors.
- Do not overfill tank. Allow space for fuel expansion.
- Keep gasoline away from sparks, open flames, pilot lights, heat, and other ignition sources.
- Do not light a cigarette or smoke.

WHEN OPERATING EQUIPMENT

- Do not tip engine or equipment at angle which causes gasoline to spill.
- Do not spray flammable liquids.

WHEN TRANSPORTING OR REPAIRING EQUIPMENT

- Transport/repair with fuel tank EMPTY or with fuel shutoff valve OFF.

WHEN STORING GASOLINE OR EQUIPMENT WITH FUEL IN TANK

- Store away from furnaces, stoves, water heaters, clothes dryers or other appliances that have pilot light or other ignition source because they can ignite gasoline vapors.

WARNING



Spray contact with electrical wiring can result in electrocution.

- Keep water spray away from electric wiring or fatal electric shock may result.

WARNING



The high pressure stream of water that this equipment produces can pierce skin and its underlying tissues, leading to serious injury and possible amputation.

- Never aim the spray gun at people, animals or plants.
- Do not allow CHILDREN to operate the pressure washer.
- Never repair high pressure hose. Replace it.

SAFETY RULES

Generac 2,400 PSI Pressure Washer

**! WARNING**

The high pressure spray could also cause you to fall if you are too close to the cleaning surface.

Pressure in a running washer builds as you climb. When you press the trigger, the recoil from the initial spray could cause you to fall.



Use of pressure washer can create puddles and slippery surfaces.

- Keep spray nozzle between 8 to 24 inches away from cleaning surface.
- Be extremely careful if you must use the pressure washer from a ladder, scaffolding or any other relatively unstable location.
- The cleaning area should have adequate slopes and drainage to reduce the possibility of a fall due to slippery surfaces.
- Operate this unit on a stable surface.

! WARNING

Starter and other rotating parts can entangle hands, hair, clothing, or accessories.

- Do not wear loose clothing, jewelry or anything that may be caught in the starter or other rotating parts.
- Tie up long hair and remove jewelry.

! WARNING

High pressure spray can cause paint chips or other particles to become airborne.

- Always wear eye protection when you use this equipment or when you are in the vicinity where the equipment is in use.

! DANGER

Running engine gives off carbon monoxide, an odorless, colorless, poison gas.

Some chemicals or detergents may be harmful if inhaled or ingested, causing severe nausea, fainting or poisoning.

Breathing carbon monoxide will cause nausea, fainting or death.

- Operate pressure washer **ONLY** outdoors.
- Use a respirator or mask whenever there is a chance that vapors may be inhaled.
- Read all instructions with mask so you are certain the mask will provide the necessary protection against inhaling harmful vapors.

! WARNING

Unintentional sparking can result in fire or electric shock.

**WHEN ADJUSTING OR MAKING REPAIRS TO YOUR HIGH PRESSURE WASHER**

- Disconnect the spark plug wire from the spark plug and place the wire where it cannot contact spark plug.

! CAUTION

Excessively high or low operating speeds increase risk of injury and damage to pressure washer.

- Do not tamper with governed speed.
- Do not operate the pressure washer above the rated pressure.

! WARNING

Running engines produce heat. Temperature of muffler and nearby areas can reach or exceed 150°F (65°C).

Severe burns can occur on contact.

- Do not touch hot surfaces.
- Allow equipment to cool before touching.

CAUTION

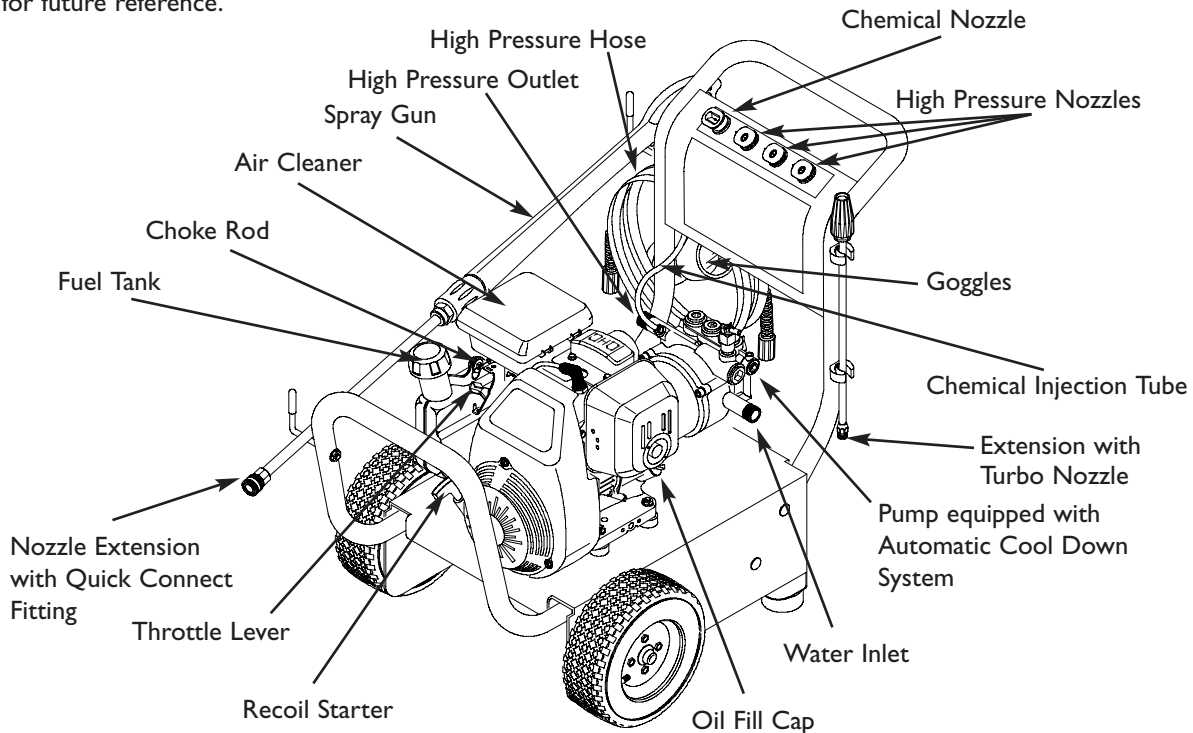
High pressure spray may damage fragile items including glass.

- Do not point spray gun at glass when in the jet spray mode.
- Never aim the spray gun at plants.

KNOW YOUR PRESSURE WASHER

Read this owner's manual and safety rules before operating your high pressure washer.

Compare the illustrations with your high pressure washer to familiarize yourself with the location of the controls. Save this manual for future reference.



Air Cleaner — Dry type filter element limits the amount of dirt and dust that gets in the engine.

Automatic Cool Down System — Cycles water through pump when water reaches 125°-155°F. Warm water will discharge from pump onto ground. This system prevents internal pump damage.

Chemical Injection Tube — Used to siphon chemical from the detergent container to the pump.

Chemical Nozzle — Use this nozzle to apply chemical.

Choke Rod — Prepares a cold engine for starting.

Extension with Turbo Nozzle — The turbo nozzle rotates the high pressure stream in a rapid circular pattern for aggressive cleaning.

Fuel Tank — Fill with regular unleaded gasoline here.

Goggles — Always use the goggles or other eye protection when running your pressure washer.

High Pressure Hose — Connect one end to water pump and the other end to spray gun. Store hose on hook on the rear of the unit

High Pressure Nozzles — Use these nozzles to clean and scour a surface. These nozzles vary the spray pattern of the high pressure stream and cannot be used to apply chemical.

High Pressure Outlet — Connection for high pressure hose.

Nozzle Extension with Quick-Connect Fitting — You must attach this device to the spray gun to use the nozzles. The quick-connect fitting lets you quickly exchange the four provided nozzles to adjust the spray pattern of the high pressure spray and apply chemical.

Oil Fill Cap — Fill engine with oil here.

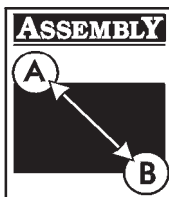
Pump — Develops high pressure.

Recoil Starter — Used for starting the engine manually.

Spray Gun — Controls the application of water onto cleaning surface with trigger. Includes safety latch.

Throttle Lever — Sets engine in starting mode for recoil starter and stops a running engine.

Water Inlet — Connection for garden hose.



IMPORTANT: Read entire owner's manual before you attempt to assemble or operate your new pressure washer.

REMOVE PRESSURE WASHER FROM CARTON

- Remove the handle, high pressure hose, and parts box included with pressure washer.
- Slice two corners at the end of carton from top to bottom so the panel can be folded down flat, then remove all packing material.
- Roll pressure washer out of carton.

CARTON CONTENTS

Items in the carton include:

- Main Unit
- Handle
- High Pressure Hose
- Parts Box containing the following:
 - Bag containing 4 Multi-Colored Nozzles
 - Safety Goggles
 - Nozzle Extension with Quick-Connect Fitting
 - Oil Bottle
 - Maintenance Kit
 - Owner's & Engine Manual
 - Parts Bag (hardware to attach handle and turbo nozzle)
 - Spray Gun
 - Extension with Turbo Nozzle

If any of the above parts are missing or damaged, call the pressure washer helpline at **1-800-270-1408**.

PREPARE PRESSURE WASHER FOR USE

If you have any problems with the assembly of your pressure washer or if parts are missing or damaged, call the pressure washer helpline at **1-800-270-1408**.

Perform these tasks to prepare unit:

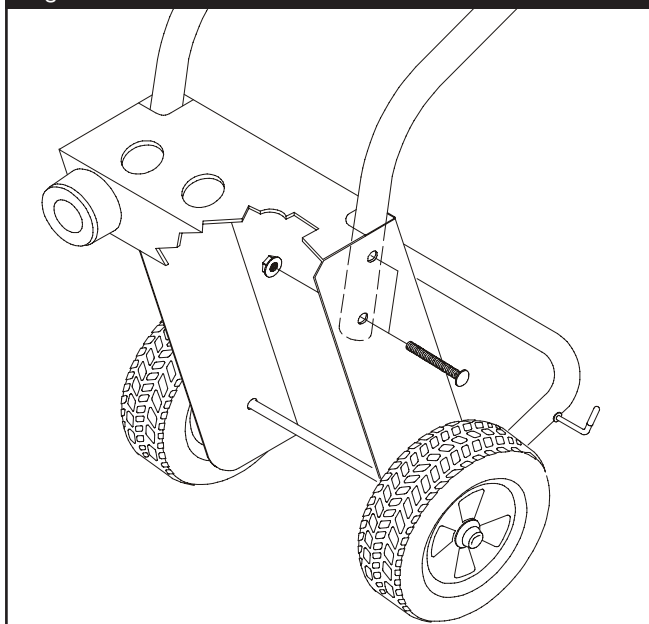
- Attach the handle to the main unit.
- Add oil to the engine.
- Add fuel to the fuel tank.
- Connect the high pressure hose to the spray gun and the pump.
- Connect the water supply to the pump.

Attach Handle to Pressure Washer

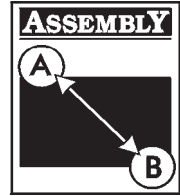
To attach handle to the pressure washer:

- Slowly tip the pressure washer forward and let it gently rest on the front bumper, as shown in Figure 1.

Figure 1 — Attach Handle to Pressure Washer



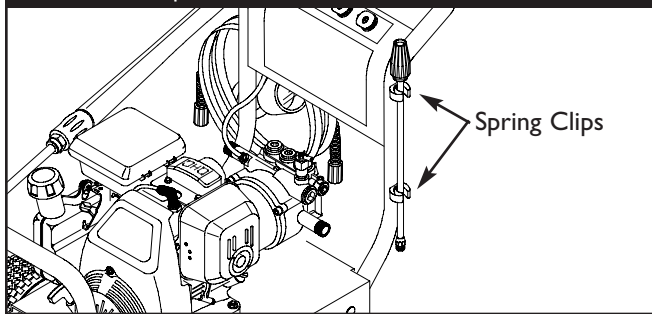
- Align the holes on the handle with the holes on the base.
- Insert the carriage bolts provided to hold the handle in place.
- Secure handle to the pressure washer using the four provided flange nuts.
- Slowly tip the pressure washer back in place and insert the multi-colored nozzles in the spaces provided in the handle.



Attach Spring Clips to Handle

- Attach spring clips to the left side (viewing from the rear of the unit) of the handle with the self tapping screws in the holes provided.
- Place the extension with turbo nozzle in the spring clips, as shown in Figure 2.

Figure 2 — Place Extension with Turbo Nozzle in Spring Clips



Add Engine Oil

IMPORTANT: Any attempt to crank or start the engine before it has been properly serviced with the recommended oil may result in an engine failure.

- Place pressure washer on a level surface.
- Refer to the engine owners manual to add recommended oil to engine.

NOTE: Check oil often during engine break-in. Refer to engine owner's manual.

NOTE: The pump is pre-lubricated and sealed, requiring no additional lubrication for the life of the pump.

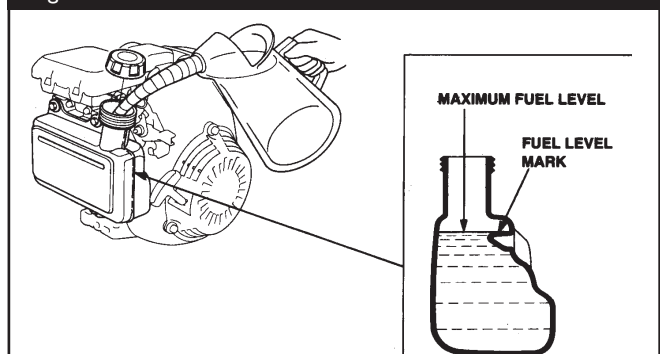
Add Gasoline

WARNING! Never fill fuel tank indoors. Never fill fuel tank when engine is running or hot. Do Not smoke when filling fuel tank.

WARNING! Never fill fuel tank completely full. Provide space for fuel expansion. Wipe away any fuel spillage from engine and equipment before starting.

- Use clean, fresh, unleaded fuel and store in approved, clean, covered containers. Use clean fill funnels. **Never** use “stale” gasoline left over from last season or gasoline stored for long periods.
- Clean area around fuel fill cap, remove cap.
- Slowly add gasoline to fuel tank. Use a funnel to prevent spillage. Fill tank to “Fuel Level Mark”, as shown in Figure 3.

Figure 3 — Add Gasoline to Fuel Tank.



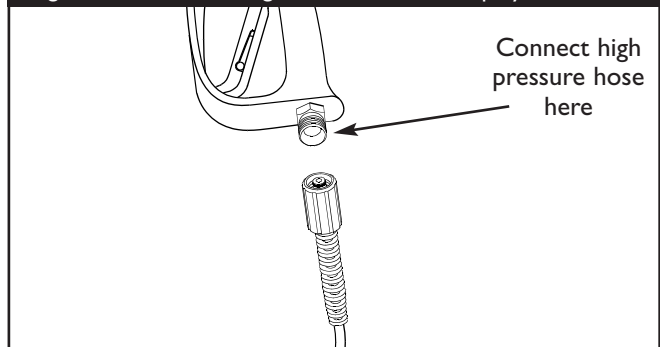
- Install fuel cap and wipe up any spilled gasoline.

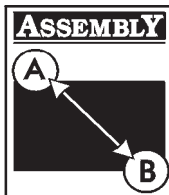
Connect Hose and Water Supply to Pump

IMPORTANT: You must assemble the nozzle extension and attach all hoses before you start the engine. Starting engine without all hoses connected and water supplied will damage the pump.

- Uncoil the high pressure hose and attach one end of the hose to the base of the spray gun. (Figure 4). Tighten by hand.

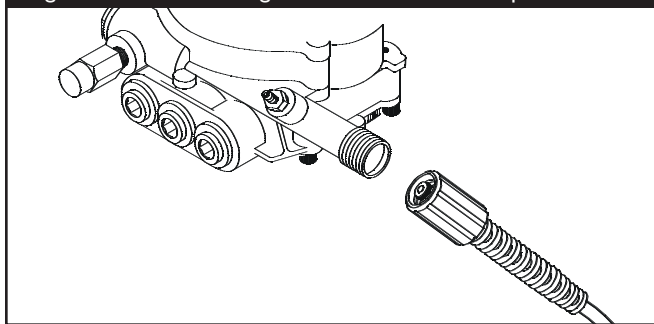
Figure 4 — Connect High Pressure Hose to Spray Gun





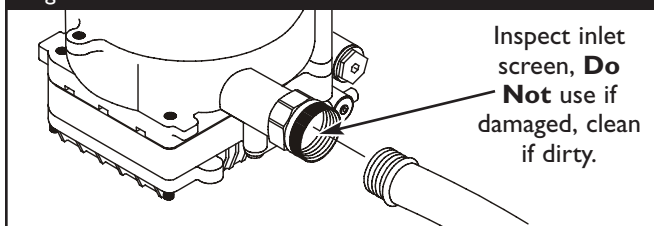
- Attach the other end of the high pressure hose to the high pressure outlet on the pump (Figure 5). Tighten by hand.

Figure 5 — Connect High Pressure Hose to Pump



- Before you connect your garden hose to the water inlet, inspect the inlet screen (Figure 6). Clean the screen if it contains debris, replace it if it is damaged. **DO NOT RUN THE PRESSURE WASHER IF THE SCREEN IS DAMAGED. NEVER SIPHON INLET WATER.**

Figure 6 — Connect Garden Hose to Water Inlet



- Run water through the garden hose for 30 seconds to clean out any debris. Turn off water.
- Connect the garden hose to the water inlet. Tighten by hand (Figure 6).

CAUTION! There MUST be at least ten feet of unrestricted garden hose between the pressure washer inlet and any flow shut off device, such as a 'Y' shut-off connector or other convenience-type water shut-off valve. Damage to pressure washer resulting from disregarding this warning will not be covered by the warranty.

- Turn ON the water and squeeze the trigger on the spray gun to purge the pump system of air and impurities.

CAUTION! Before starting the pressure washer, be sure you are wearing adequate eye protection.

CHECKLIST BEFORE STARTING ENGINE

Review the assembly to ensure you have performed all of the following.

- Check for properly tightened hose connections (high pressure and water supply) and for tight connections and that there are no kinks, cuts, or damage to the high pressure hose.
- Check that oil has been added to the proper level in the engine crankcase before trying to start the pressure washer.
- Add the proper gasoline to fuel tank.
- Provide a proper water supply (not to exceed 100° F) at an adequate flow.
- Be sure to read the "Safety Rules" and "Operation" sections before using the pressure washer.



HOW TO USE YOUR PRESSURE WASHER

If you have any problems operating your pressure washer, please call the pressure washer helpline at **1-800-270-1408**.

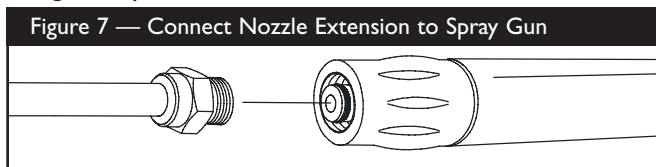
To Start Your Pressure Washer

To start your pressure washer for the first time, follow these instructions step-by-step. This starting information also applies if you have let the pressure washer sit idle for at least a day.

- Place the pressure washer in an area close enough to a water source capable of supplying water at a flow rate greater than 2.3 gallons per minute.
- Check that the high pressure hose is tightly connected to the spray gun and to the pump. See “Preparing Pressure Washer for Use” (page 5) for illustrations.
- Make sure unit is in a level position.
- Connect the garden hose to the water inlet on the pressure washer pump. **Turn ON the water.**

CAUTION! Do Not run the pump without the water supply connected and turned on. You must follow this caution or the pump will be damaged.

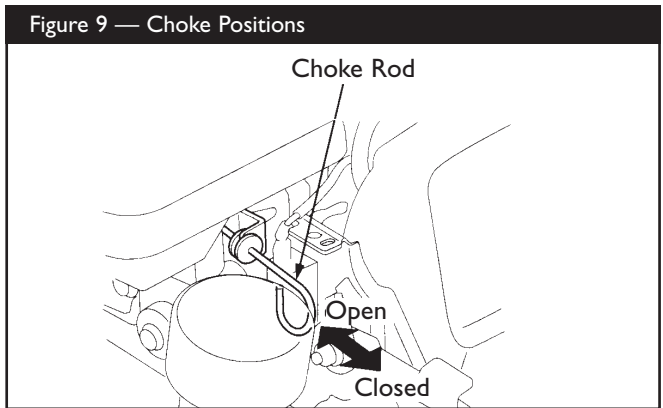
- Squeeze the trigger on the gun until you have a steady stream of water. This purges the pump of air and impurities.
- Attach the nozzle extension to the spray gun (Figure 7). Tighten by hand.



- Choose the nozzle you want to use and insert it into the nozzle extension. See “How to Use the Nozzles” on page 9.
- Engage the safety latch to the spray gun trigger (Figure 8).

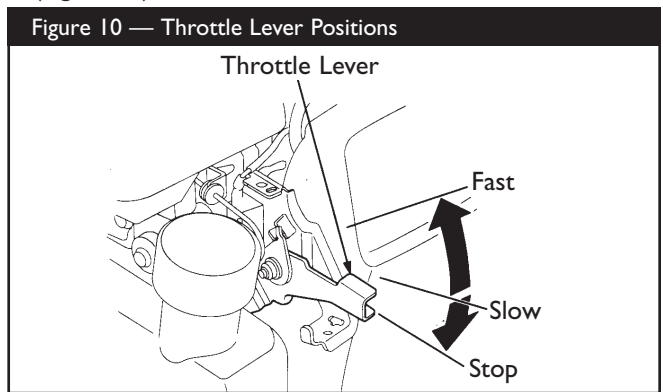


- Pull the Choke rod to the **CLOSED** position (all the way out, Figure 9).



NOTE: For a warm engine, be sure the choke is in the **OPEN** position (no choke).

- Move the Throttle Control lever to the “**Fast**” position (Figure 10).



- Grasp starter grip and pull slowly until you feel some resistance. Then pull cord out with rapid full arm stroke. Let rope return slowly. **Do Not** let rope “snap back” against starter.
- If the engine fails to start repeat above steps or refer to the engine owner’s manual.
- If the choke was pulled to the **CLOSED** position to start the engine, slowly push it to the **OPEN** position as the engine runs smoother.

NOTE: If the recoil starter is hard to pull, it may be necessary to squeeze the gun trigger to relieve internal pump pressure.

NOTE: Always keep the Throttle Control lever in the “**Fast**” position when operating the pressure washer.



How to Stop Pressure Washer

- Move Throttle Control lever to the “**Slow**” position.
- Wait for the engine to idle down.
- Move Throttle Control lever to the “**Stop**” position.
- Simply shutting off the engine will not release pressure in the system. **Squeeze trigger on the spray gun to relieve pressure in the hose.**

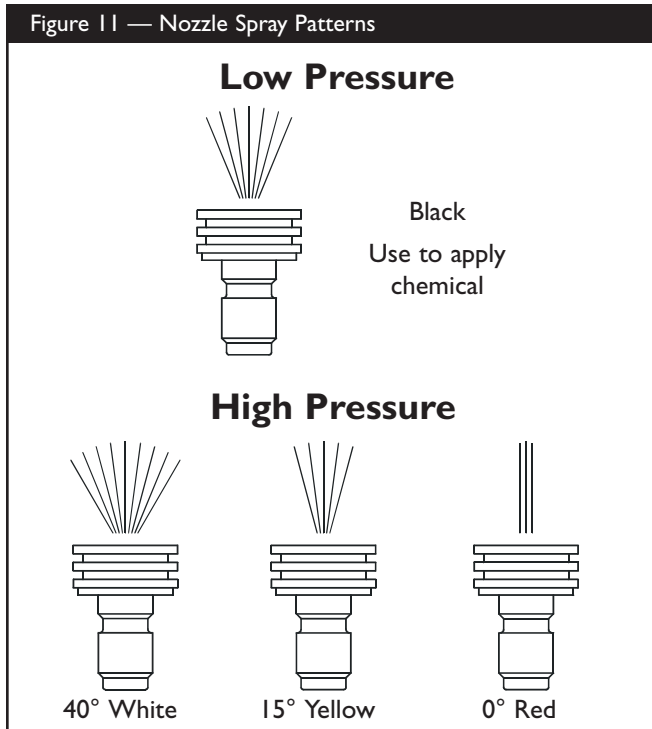
NOTE: A small amount of water will squirt out when you squeeze the trigger.

How to Use the Nozzles

If you have any problems operating your pressure washer, please call the pressure washer helpline at **1-800-270-1408**.

CAUTION! Never exchange nozzles without locking the safety latch on the trigger.

The quick-connect on the nozzle extension allows you to switch between four different nozzles. The nozzles vary the spray pattern, as shown in Figure 11.



Follow these instructions to change nozzles:

- Engage the safety latch on the spray gun.
- Pull back the collar on the quick-connect at the end of the nozzle extension and pull the current nozzle off. Store the nozzle in the space provided on the handle.

NOTE: For a more gentle rinse, select white 40° nozzle. To scour the surface, select yellow 15° or red 0° nozzle. To apply chemical, select black nozzle.

- Pull back on the collar, insert the new nozzle and release the collar. Pull on the nozzle to make sure it is securely in place.
- For most effective cleaning, keep the spray nozzle between 8 to 24 inches away from the cleaning surface. If you get the spray nozzle too close, you may damage the cleaning surface.

How to Use the Turbo Nozzle

The turbo nozzle rotates the high pressure stream in a rapid circular pattern. The high pressure spray is most effective when the tip of the nozzle extension is held between 8 to 24 inches from the surface being cleaned.

Always start the turbo nozzle at a distance, gradually getting closer to the surface until you get the cleaning force you want.

WARNING! The turbo nozzle produces an extremely high pressure spray which is capable of removing paint and cutting holes through surfaces if held too close. Always make sure the surface you will clean will not be damaged by the high pressure spray by testing in a hidden area.

NOTE: You cannot apply detergent with the turbo nozzle.

Cleaning and Applying Chemical

CAUTION! You must attach all hoses before you start the engine. Starting the engine without all the hoses connected and without the water turned ON will damage the pump.



IMPORTANT: Use soaps designed specifically for pressure washers. Household detergents could damage the pump.

To apply detergent, follow these steps:

- Review the use of the quick-connect nozzles.
- Prepare the detergent solution as required by the manufacturer.
- Hang the detergent solution container on the hook at the rear of the pressure washer.
- Place the small filter of the chemical injection tube into the detergent container.

CAUTION! Keep the chemical injection tube from coming in contact with the hot muffler. This will damage the chemical injection tube. When inserting the filter into a chemical bottle, route the tube so as to keep it from inadvertently contacting the hot muffler.

- Make sure the black nozzle is installed on the nozzle extension.

NOTE: Detergent cannot be applied with the high pressure nozzles (White, Yellow, or Red).

- Make sure the garden hose is connected to the water inlet. Check that high pressure hose is connected to spray gun and pump, then start engine.
- Apply the detergent to a dry surface, starting at lower portion of area to be washed and work upward, using long, even, overlapping strokes. **Do Not** allow the detergent to dry on to prevent streaking.
- Allow the detergent to soak between 3–5 minutes before washing and rinsing. Reapply detergent as needed to prevent surface from drying.

Pressure Washer Rinsing

WARNING! Be extremely careful if you must use the pressure washer from a ladder, scaffolding or any other relatively unstable location. Pressure in a running washer builds as you climb. When you press the trigger, the recoil from the initial spray could cause you to fall. The high pressure spray could also cause you to fall if you are too close to the cleaning surface.

After you have applied detergent, scour the surface and rinse it clean as follows:

- Apply safety latch to spray gun.
- Remove the black chemical nozzle from the nozzle extension.
- Select and install the desired high pressure nozzle following the instructions “How to Use the Nozzles” on page 9.
- Keep the spray gun a safe distance from the area you plan to spray.
- Use lower pressure to wash items such as a car or boat. Use higher pressure to strip paint and degrease driveways.
- Apply a high pressure spray to a small area and then check the surface for damage. If no damage is found, assume it is okay to continue cleaning.
- Start at the top of the area to be rinsed, working down with same overlapping strokes as you used for cleaning.

Automatic Cool Down System (Thermal Relief)

If you run the engine on your pressure washer for 3–5 minutes without pressing the trigger on the spray gun, circulating water in the pump can reach a temperature between 125°–155°F. When the water reaches this temperature, the automatic cool down system engages and cools the pump by **discharging the warm water onto the ground**. This system prevents internal damage to the pump.

SPECIFICATIONS

- Outlet Pressure** 2,400 psi
- Flow Rate** 2.2 gallons per minute (gpm)
- Detergent Mix** Use undiluted detergent approved for pressure washers
- Water Supply Temperature** Not to Exceed 100°F
- Automatic Cool Down System** Will cycle when water reaches 125°-155°F



GENERAL MAINTENANCE RECOMMENDATIONS

The pressure washer warranty does not cover items that have been subjected to operator abuse or negligence. To receive the full value from the warranty, the operator must maintain the pressure washer as instructed in this manual.

- Some adjustments will need to be made periodically to properly maintain your high pressure washer.
- All adjustments in the Maintenance section of this manual should be made at least once each season.
- Once each year you should clean or replace the spark plug and clean or replace the air filter and check the spray gun and nozzle extension assemblies for wear. A new spark plug and clean air filter assure proper fuel-air mixture and help your engine run better and last longer.

Before Each Use

- Check engine oil level.
- Check water inlet screen for damage.
- Check high pressure hose for leaks.
- Check chemical injection tube and filter for damage.
- Check spray gun and nozzle extension assemblies for leaks.
- Rinse out garden hose to flush out debris.

PRESSURE WASHER MAINTENANCE

Check and Clean Inlet Screen

Examine the screen on the water inlet. Clean it if the screen is clogged or replace it if screen is damaged.

Check High Pressure Hose

The high pressure hose can develop leaks from wear, kinking, or abuse. Inspect the hose each time before using it. Check for cuts, leaks, abrasions or bulging of cover, damage or movement of couplings. If any of these conditions exist, replace the hose immediately.



WARNING! Water spraying from a leak is capable of injecting material into skin. Inspect hose each time before using it. **Never** repair a high pressure hose. Replace it with another hose that exceeds the maximum pressure rating of your pressure washer.

Check Detergent Siphoning Tube

Examine the filter on the detergent tube and clean if clogged. The tube should fit tightly on the barbed fitting. Examine the tube for leaks or tears. Replace the filter or tube if either is damaged.

Cleaning Detergent Siphoning Tube

If you used the detergent siphoning tube, you must flush it with clean water before stopping the engine.

- Place the chemical injection siphon/filter in a bucket full of clean water.
- Attach the black low pressure nozzle.
- Flush for 1-2 minutes.
- Shut off the engine.

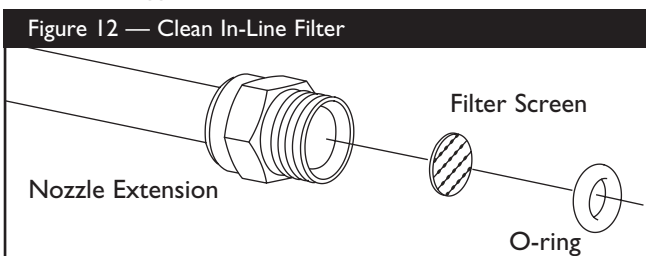
IMPORTANT: Simply shutting **OFF** engine will not release pressure in the system. **When the engine has shut down, squeeze the trigger on the spray gun to relieve the pressure in the hose.**

Check Gun and Nozzle Extension

Examine the hose connection to the spray gun and make sure it is secure. Test the trigger by pressing it and making sure it “springs back” into place when you release it. Put the safety latch in the ON position and test the trigger. You should not be able to press the trigger.

Check In-Line Filter

Refer to Figure 12 and service the in-line filter if it becomes clogged, as follows:





1. Detach spray gun from high pressure hose. Detach nozzle extension from spray gun and remove o-ring and screen from nozzle extension. Flush the screen, spray gun, and nozzle extension with clean water to clear debris.
2. If the screen is damaged, the o-ring kit contains a replacement in-line filter screen and an o-ring. If undamaged, reuse screen.
3. Place the in-line filter screen into the threaded end of the nozzle extension. Direction does not matter. Push the screen in with the eraser end of a pencil until it rests flat at the bottom of the opening. Take care to not bend the screen.
4. Place the o-ring into the recess. Push the o-ring snugly against the in-line filter screen.
5. Assemble the nozzle extension to the spray gun, as described earlier in this manual.

Purge Pump of Air and Contaminants

To remove air from the pump, follow these steps:

- Set up the pressure washer as described in “Preparing the Pressure Washer for Use” (page 5) and connect the water supply.
- Pull the trigger on the spray gun and hold.

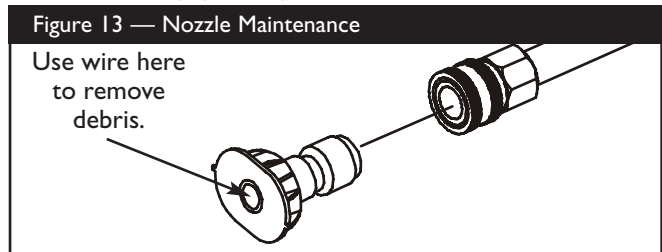
To remove contaminants from the pump, follow these steps:

- Set up the pressure washer as described in “Preparing the Pressure Washer for Use” (page 5) and connect the water supply.
- Start the engine as described in “How To Start Your Engine” on page 7.
- Squeeze the trigger on the spray gun and hold.
- When the water supply is steady and constant, engage the safety latch.

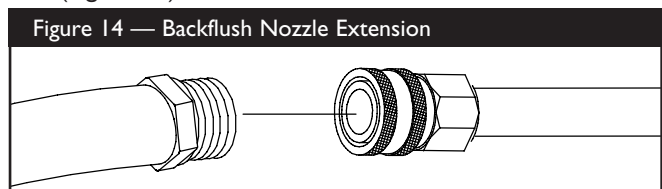
Nozzle Maintenance

A pulsing sensation felt while squeezing the spray gun trigger may be caused by excessive pump pressure. The principal cause of excessive pump pressure is a nozzle clogged or restricted with foreign materials, such as dirt, etc. To correct the problem, immediately clean the nozzle using the tools included with your pressure washer and follow these instructions:

1. Shut off the engine and turn off the water supply.
2. Separate the nozzle extension from the spray gun. Remove the nozzle from the end of the nozzle extension (Figure 13).



3. Remove the in-line filter from the other end of the nozzle extension.
4. Use the wire included in the kit (or a small paper clip) to free any foreign material clogging or restricting the nozzle (Figure 13).
5. Using a garden hose, remove additional debris by back flushing water through the nozzle extension (Figure 14). Back flush between 30 to 60 seconds.



6. Reinstall the nozzle and in-line filter into the nozzle extension.
7. Reconnect the nozzle extension to the spray gun.
8. Reconnect the water supply, turn on the water, and start the engine.
9. Test the pressure washer by operating with each of the Quick Connect nozzles.



O-Ring Maintenance

Through the normal operation of your pressure washer, o-rings, which keep the connections of the hoses and spray gun tight and leak-free, may become worn or damaged.

Provided with your pressure washer is an O-Ring Maintenance Kit which includes replacement o-rings, rubber washer and water inlet filter. Refer to the instruction sheet provided in the kit to service your unit's o-rings. Note that not all of the parts in the kit will be used on your unit.

To remove a worn or damaged o-ring:

- Use a small flathead screwdriver to get underneath the o-ring and pry it off.

ENGINE MAINTENANCE

See the engine owner's manual for instructions on how to properly maintain the engine.



CAUTION! Avoid prolonged or repeated skin contact with used motor oil. Used motor oil has been shown to cause skin cancer in certain laboratory animals. Thoroughly wash exposed areas with soap and water.

KEEP OUT OF REACH OF CHILDREN. DON'T POLLUTE. CONSERVE RESOURCES. RETURN USED OIL TO COLLECTION CENTERS.

PREPARING UNIT FOR STORAGE

Water should not remain in the unit for long periods of time. Sediments of minerals can deposit on pump parts and "freeze" pump action. If you do not plan to use the pressure washer for more than 30 days, follow this procedure:

1. Flush chemical injection tube by placing the filter into a pail of clean water while running pressure washer with the black chemical nozzle. Flush for one to two minutes.
2. Shut off the engine and let it cool, then remove high pressure and garden hoses. Disconnect spark plug wire from spark plug.

3. Empty the pump of liquids by pulling the engine recoil handle about 6 times. This should remove most of the liquid in the pump.
4. Use Generac brand pump saver to prevent corrosion build up and freezing of pump.
5. Store in a clean, dry area.

Protecting the Pump

To protect the pump from damage caused by mineral deposits or freezing, use the Generac PumpSaver to treat pump. This prevents freeze damage and lubricates pistons and seals.

NOTE: Generac PumpSaver, model number 01559, is available as an optional accessory. It is not included with the pressure washer.

CAUTION! You must protect your unit from freezing temperatures. Failure to do so will permanently damage your pump and render your unit inoperable. Freeze damage is not covered under warranty.



CAUTION! Read and follow all cautions and warnings on the PumpSaver can label. Always wear eye protection when using PumpSaver.

To use PumpSaver, make sure the pressure washer is turned off and disconnected from supply water. Read and follow all instructions and warnings given on the PumpSaver container.

NOTE: PumpSaver will drip from pump after treatment and will stain wood and concrete.

NOTE: If PumpSaver is not available, draw RV antifreeze (non-alcohol) into the pump by pouring the solution into a 3-foot section of garden hose connected to inlet adapter and pulling recoil handle twice.

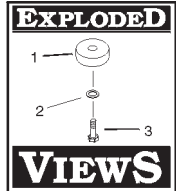
STORING THE ENGINE

See the engine owner's manual for instructions on how to properly store the engine.

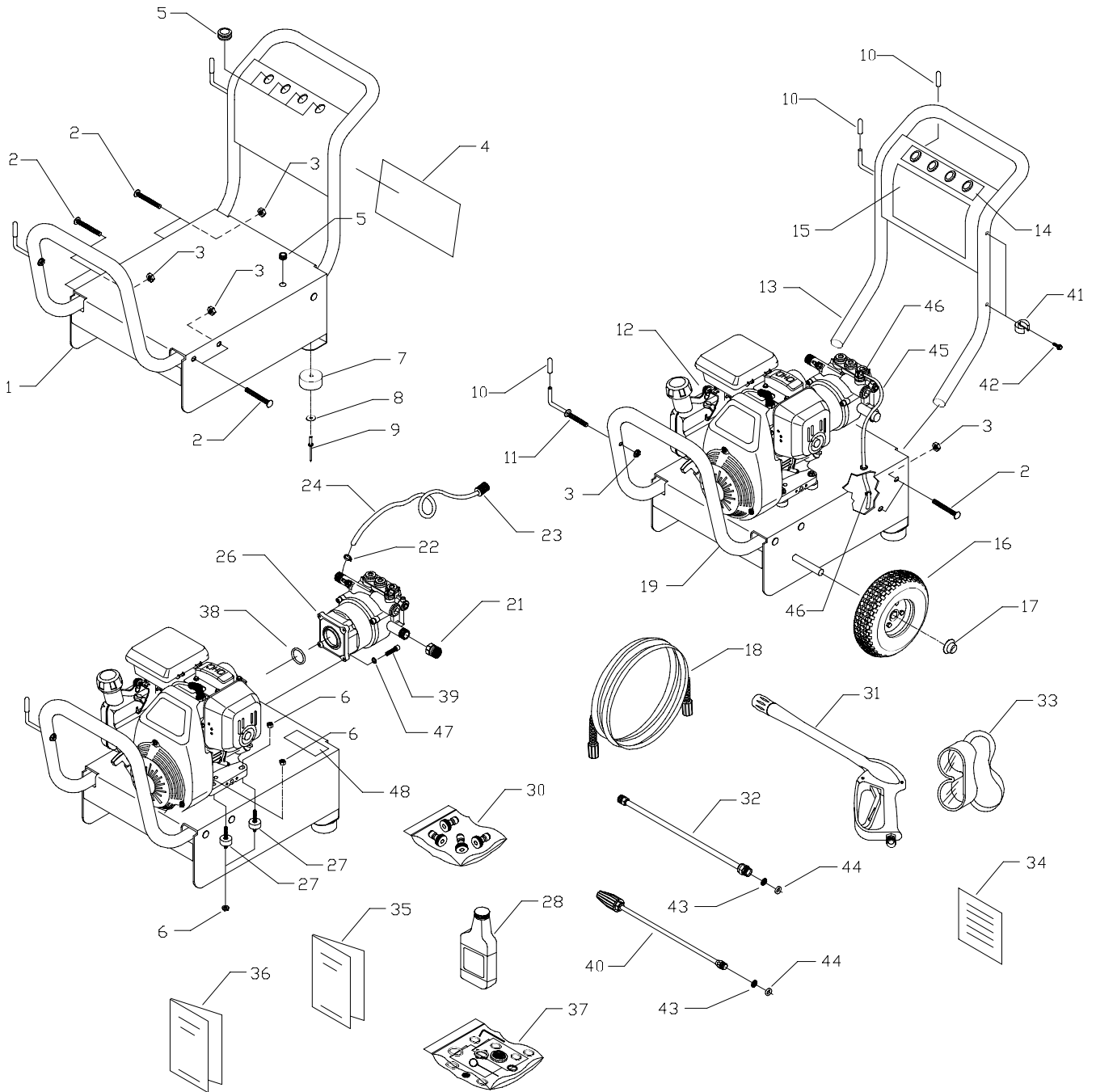


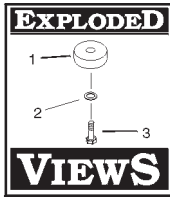
TROUBLESHOOTING

Problem	Cause	Correction
Pump has following problems: failure to produce pressure, erratic pressure, chattering, loss of pressure, low water volume.	<ol style="list-style-type: none"> 1. Low pressure nozzle (black) is being used. 2. Water inlet is blocked. 3. Inadequate water supply. 4. Inlet hose is kinked or leaking. 5. Clogged inlet hose strainer. 6. Water supply is over 100°F. 7. High pressure hose is blocked or leaks. 8. Gun leaks. 9. Nozzle is obstructed. 10. Pump is faulty. 	<ol style="list-style-type: none"> 1. Replace with any of the three high pressure nozzles. 2. Clear inlet. 3. Provide adequate water flow. 4. Replace hose. 5. Check and clean inlet hose strainer. 6. Provide cooler water supply. 7. Clear blocks in outlet hose. 8. Replace gun. 9. Clean nozzle. 10. Contact Generac service facility.
Detergent fails to mix with spray.	<ol style="list-style-type: none"> 1. Detergent siphoning tube is not submerged. 2. Chemical filter is clogged. 3. Dirty in-line filter. 4. A high pressure nozzle is being used. 	<ol style="list-style-type: none"> 1. Insert detergent siphoning tube into detergent. 2. Clean or replace filter/detergent siphoning tube. 3. See "Check In-Line Filter" on page 11. 4. Replace with low pressure (black) nozzle.
Engine runs good at no-load but "bogs" when load is added.	Engine speed is too slow.	Move throttle control to FAST position. If engine still "bogs down", contact Honda service facility.
Engine will not start; or starts and runs rough.	<ol style="list-style-type: none"> 1. Dirty air cleaner. 2. Out of gasoline. 3. Stale gasoline. 4. Spark plug wire not connected to spark plug. 5. Bad spark plug. 6. Water in gasoline. 7. Overchoking. 8. White smoke from exhaust. 9. Intake valve stuck open or closed. 10. Engine has lost compression. 	<ol style="list-style-type: none"> 1. Clean or replace air cleaner. 2. Fill fuel tank. 3. Drain gas tank; fill with fresh fuel. 4. Connect wire to spark plug. 5. Replace spark plug. 6. Drain gas tank; fill with fresh fuel. 7. Open choke fully and crank engine. 8. Contact Honda service facility. 9. Contact Honda service facility. 10. Contact Honda service facility.
Engine shuts down during operation.	Out of gasoline.	Fill fuel tank.
Engine lacks power.	Dirty air filter.	Replace air filter.
Engine "hunts" or falters.	Choke is opened too soon.	Move choke to halfway position until engine runs smoothly.



EXPLODED VIEW — UNIT

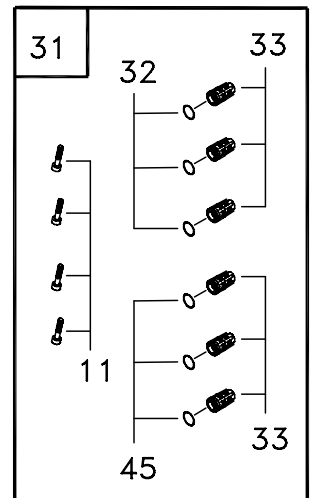
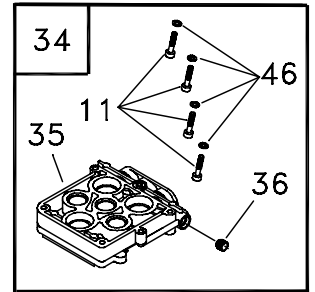
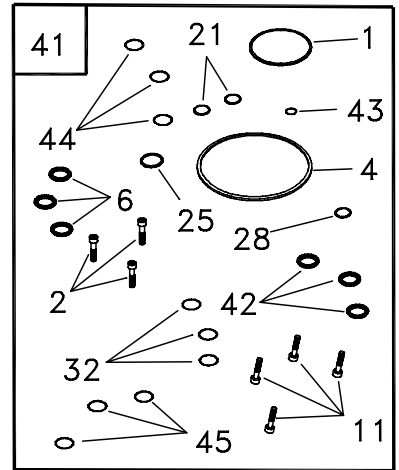
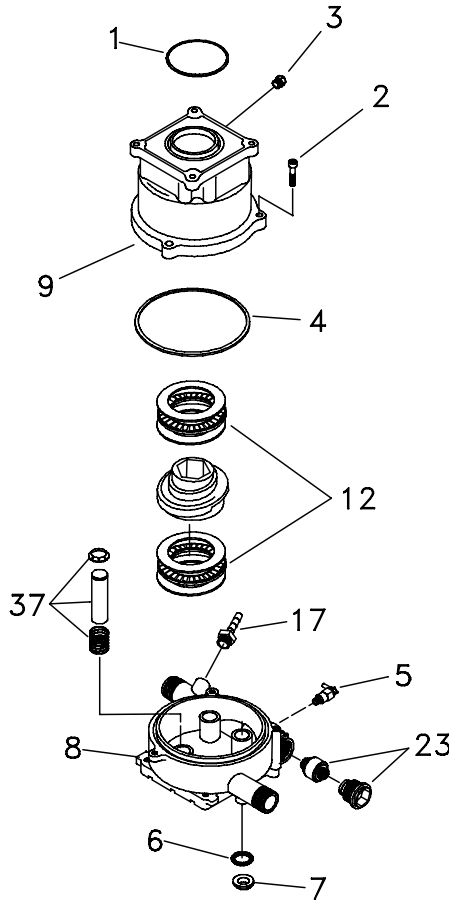
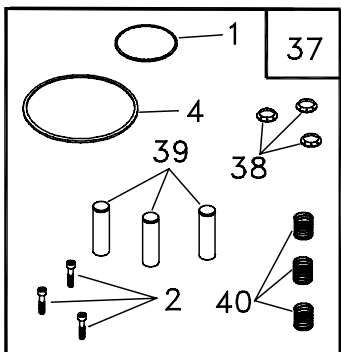
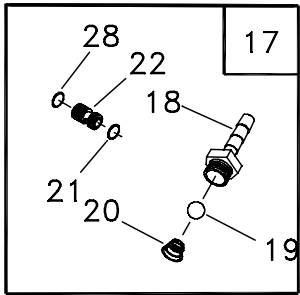
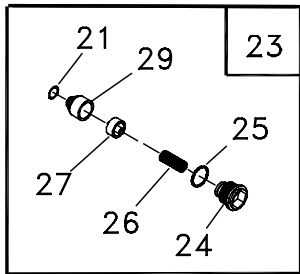
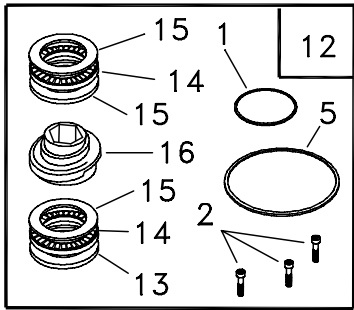


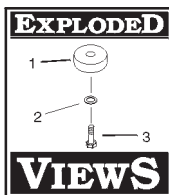


PARTS LIST — UNIT

Item	Part #	Qty	Description
1	B190506BGS	1	BASE
2	B2043GS	8	BOLT, Carriage
3	99583GS	9	NUT, Hex Flange
4	B4164GS	1	DECAL, Instructions
5	30809GS	5	GROMMET
6	67989GS	8	NUT, Flange Serrated
7	27007GS	2	VIB MOUNT, Donut Type
8	71693GS	2	WASHER, Flat
9	188194GS	2	BLIND RIVET
10	B2516GS	3	CAP, Black Vinyl
11	B2150GS	1	HOOK, Square Neck Gun
12	NSP	1	ENGINE
13	CB3861BGS	1	HANDLE
14	B4163GS	1	DECAL, 4 QD Nozzles
15	185697GS	1	DECAL, Unit 01450-0
16	B4966GS	2	ASSY, Wheel & Tire
17	190147GS	2	PUSHNUT
18	B5642GS	1	HOSE
19	CB3866GS	1	BUMPER
21	21424GS	1	CONNECTOR, Garden Hose
22	48031GS	1	CLAMP, Hose
23	A1041GS	1	FILTER, Chemical Hose
24	A1040DGS	1	HOSE, Chemical Inject
26	B4925BGS	1	ASSY, Pump (see pages 18-19)
27	21217GS	4	MOUNT, Rubber Shock
28	BB3061BGS	1	BOTTLE, Oil
30	B5646GS	1	KIT, Nozzles QD
31	B3263GS	1	GUN, Spray
32	B3858GS	1	ASSY, Wand Ext. with QD
33	87815GS	1	GOGGLES, Safety
34	88681GS	1	CARD, Owners Registration
35	185694GS	1	MANUAL, Owners 01450-0
36	B3294GS	1	MANUAL, Honda
37	190862GS	1	KIT, Maintenance
38	B2218GS	1	O-RING
39	23707GS	4	CAPSCREW, Socket Head
40	185859BGS	1	WAND, w/Turbo
41	65852AGS	2	CLIP, Spring
42	185954GS	2	SCREW
43	B4224GS	2	SCREEN, Gun Inlet
44	97837GS	2	O-RING, Hi Pressure Trans
45	B3107GS	1	HOSE, Thermal Drain
46	48031BGS	2	CLAMP, Hose
47	92479GS	4	WASHER, Conical Ribbed
48	187952GS	1	DECAL, Cool Down

EXPLODED VIEW — PUMP





PARTS LIST — PUMP

Item	Part #	Qty	Description	Item	Part #	Qty	Description
1	B2218	1	O-RING	31	185712	0	KIT, CHECK VALVES
2	97962	3	CAPSCREW, Socket Head	11	4	CAPSCREW, Socket Head
3	B5710	1	VALVE	32	3	O-RING, Check Valve
4	97835	1	O-RING, Housing Seal	33	6	ASSY, Check Valve
5	21783	1	VALVE, Thermal Relief	45	3	O-RING, Check Valve, White
6	93680	3	SEAL, Oil Piston	34	185531	0	KIT, HEAD BRASS EG
7	97831	3	SPACER, Pilot	11	4	CAPSCREW, Socket Head
8	B2702	1	HOUSING, Piston	35	1	HEAD, Pump
9	B4813	1	ADAPTER, Engine	36	1	PLUG
10	97841	3	CAP, Outlet Check Valve	46	4	WASHER, Flat
11	40946	4	CAPSCREW, Socket Head	37	185713	0	KIT, PISTON & SPRING
12	185715	0	KIT, AXIAL CAM	1	1	O-RING, Engine Seal
1	1	O-RING, Engine Seal	2	3	CAPSCREW, Socket Head
2	3	CAPSCREW, Socket Head	4	1	O-RING, Housing Seal
4	1	O-RING, Housing Seal	38	3	RETAINER, Piston Spring
13	1	WASHER, Brg.	39	3	PISTON
14	2	ASSY, Brg.	40	3	SPRING, Piston Return
15	3	WASHER, Brg.	41	185714	0	KIT, O-RING/SEAL 2300
16	1	CAM, Axial	1	1	O-RING, Engine Seal
17	185287	0	KIT, CHEM INJECT	2	3	CAPSCREW, Socket Head
18	1	FITTING, Chem Inject	4	1	O-RING, Housing Seal
19	1	BALL, Chem Inject	6	3	SEAL, Oil Piston
20	1	SPRING, Chem Inject	11	4	CAPSCREW, Socket Head
21	1	O-RING, Venturi & Seat, Black	21	2	O-RING, Venturi & Seat, Black
22	1	VENTURI, Chem Inject	25	1	O-RING, Unloader Cap
28	1	O-RING, Venturi, Yellow	28	1	O-RING, Venturi, Yellow
23	187879	0	KIT, UNLOADER	32	3	O-RING, Check Valve
21	1	O-RING, Venturi & Seat, Black	42	3	SEAL, Double-Lip
24	1	CAP, Unloader	43	1	O-RING, High Pressure Transfer
25	1	O-RING, Unloader Cap	44	3	O-RING, Outlet CV Cap
26	1	SPRING, Unloader	45	3	O-RING, Check Valve, White
27	1	PISTON ASSY, Unloader				
29	1	SEAT, Unloader				

NOTE: Item numbers 12, 17, 23, 31, 34, 37, and 41 are service kits and include all parts shown within the box.

LIMITED WARRANTY

GENERAC PORTABLE PRODUCTS OWNER WARRANTY POLICY Effective October 1, 2001

LIMITED WARRANTY

"Generac Portable Products, LLC will repair or replace, free of charge, any part, or parts of the equipment that are defective in material or workmanship or both. Transportation charges on parts submitted for repair or replacement under this Warranty must be borne by purchaser. This warranty is effective for the time periods and subject to the conditions provided for in this policy. For warranty service, find the nearest Authorized Service Dealer in our dealer locator map at www.generac-portables.com or call 1-877-544-0982. THERE IS NO OTHER EXPRESS WARRANTY. IMPLIED WARRANTIES, INCLUDING THOSE OF MERCHANTABILITY AND FITNESS FOR A PARTICULAR PURPOSE, ARE LIMITED TO THE TIME PERIOD SPECIFIED, OR TO THE EXTENT PERMITTED BY LAW ANY AND ALL IMPLIED WARRANTIES ARE EXCLUDED. LIABILITY FOR CONSEQUENTIAL DAMAGES UNDER ANY AND ALL WARRANTIES ARE EXCLUDED TO THE EXTENT EXCLUSION IS PERMITTED BY LAW. Some states do not allow limitations on how long an implied warranty lasts, and some states do not allow the exclusion or limitation of incidental or consequential damages, so the above limitation and exclusion may not apply to you. This warranty gives you specific legal rights and you may also have other rights which vary from state to state and country to country."

WARRANTY PERIOD*

PRODUCTS**	CONSUMER USE	COMMERCIAL USE
Portable Generator (Side Valve Engine Powered)	1 year	90 days
Portable Generator (Overhead Valve Engine Powered)	2 years (2nd year parts only)	1 year
Electric Powered Pressure Washer	1 year	None
Gasoline Powered Pressure Washer	1 year	90 days

* The warranty period begins on the date of purchase by the first retail consumer or commercial end user, and continues for the period of time stated in the table above. "Consumer use" means personal residential household use by a retail consumer. "Commercial use" means all other uses, including use for commercial, income producing or rental purposes. Once equipment has been used commercially, it shall thereafter be considered to be in commercial use for purposes of this warranty. Used equipment, demonstration equipment and equipment used for prime power in place of a utility are not warranted. Accessory parts such as guns, hoses, wands and nozzles are excluded from the product warranty.

** The gasoline engine and starting batteries are warranted solely by the manufacturers of those products.

WARRANTY REGISTRATION IS NOT NECESSARY TO OBTAIN WARRANTY ON GENERAC PORTABLE PRODUCTS EQUIPMENT. SAVE YOUR PROOF OF PURCHASE RECEIPT. IF YOU DO NOT PROVIDE PROOF OF THE INITIAL PURCHASE DATE AT THE TIME WARRANTY SERVICE IS REQUESTED, THE MANUFACTURING DATE OF THE EQUIPMENT WILL BE USED TO DETERMINE THE WARRANTY PERIOD.

About your equipment warranty:

Generac Portable Products welcomes warranty repair and apologizes to you for being inconvenienced. Any Authorized Service Dealer may perform warranty repairs. Most warranty repairs are handled routinely, but sometimes requests for warranty service may not be appropriate. For example, warranty would not apply if equipment damage occurred because of misuse, lack of routine maintenance, shipping, handling, warehousing or improper installation. Similarly, warranty is void if the serial number of the equipment has been removed or the equipment has been altered or modified.

If a customer differs with the decision of the Service Dealer, an investigation will be made to determine whether the warranty applies. Ask the Service Dealer to submit all supporting facts to its Distributor for review. If the Distributor decides that the claim is justified, the customer will be fully reimbursed for those items that are defective. To avoid misunderstandings that might occur between the customer and the Dealer, listed below are some of the causes of equipment failure that the warranty does not cover:

Normal wear:

Outdoor Power Equipment, like all mechanical devices, needs periodic parts, service and replacement to perform well. This warranty does not cover repair when normal use has exhausted the life of a part or the equipment.

Installation and Maintenance:

This warranty does not apply to equipment or parts that have been subjected to improper or unauthorized installation or alteration, misuse, negligence, accident, overloading, overspeeding, improper maintenance, repair or storage so as, in Generac Portable Products' judgment, to adversely affect its performance and reliability. This warranty also does not cover normal maintenance such as adjustments, fuel system cleaning and obstruction (due to chemical, dirt, carbon or lime, etc.).

Other Exclusions:

Also excluded from this warranty are wear items such as quick couplers, oil gauges, belts, o-rings, filters, pump packing, etc., pumps which have been run without water supplied or damage or malfunctions resulting from accidents, abuse, modifications, alterations, or improper servicing or freezing or chemical deterioration.

Warranty is available only through service dealers authorized by Generac Portable Products. This warranty does not apply to service by any other entity.

You may locate your nearest Authorized Generac Portable Product Service Dealer in our dealer locator map at www.generac-portables.com or call 1-877-544-0982.

Generac Portable Products Are Made Under One Or More Of The Following Patents: (Other Patents Pending)

5902094

5823752

5718255

5890413

Generac Portable Products, LLC
Jefferson, Wisconsin U.S.A.