

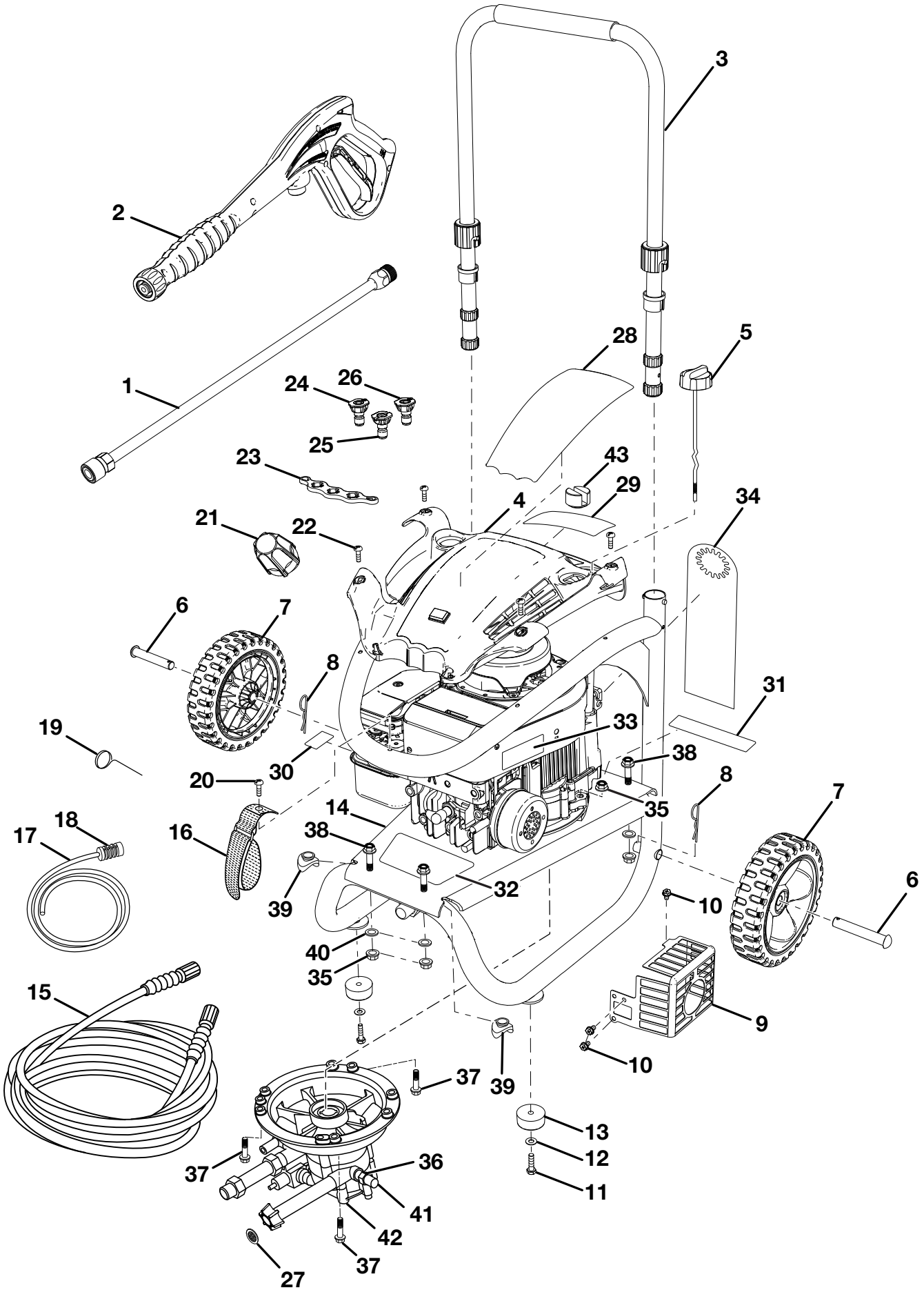


**PRESSURE WASHER
MODEL NO. HU80520
REPAIR SHEET**

TECHTRONIC INDUSTRIES NORTH AMERICA, INC.

P.O. Box 35, Hwy. 8
Pickens, SC 29671
Phone 1-866-340-3912

HUSKY PRESSURE WASHER – MODEL NO. HU80520



HUSKY PRESSURE WASHER – MODEL NO. HU80520

The model number will be found on a plate attached to frame. Always mention the model number in all correspondence regarding your **PRESSURE WASHER** or when ordering replacement parts.

PARTS LIST

KEY NO.	PART NUMBER	DESCRIPTION	QTY.
1	308494001	Spray Wand Extension.....	1
2	308413001	Spray Wand	1
3	308415001	Handle Assembly	1
4	308661001	Engine Shroud Assembly.....	1
5	308658001	Oil cap / Dipstick	1
6	620490001	Axle.....	2
7	308603001	Wheels	2
8	678238001	Hitch Pin	2
9	638323001	Muffler Cover	1
10	660991001	* Screw (M5 x 8 mm).....	3
11	660738001	Bolt (1/4-20 x 3/4 in. Hex Hd.).....	2
12	638128003	Washer, 1/4 in.	2
13	561454001	Rubber Foot.....	2
14	308471001	Frame.....	1
15	308414001	High Pressure Hose	1
16	308652002	Hook and Loop Strap	1
17	561399001	Injection Hose	1
18	518391001	Injection Hose Filter	1
19	678148002	Nozzle Cleaning Tool	1
20	660733003	* Screw (12-14).....	1
21	308728001	Fuel Cap	1
22	660956001	* Screw (12-14 x 15 mm).....	4
23	518384001	Nozzle Holder	1
24	678303001	Nozzle, 0° (Red)	1
25	678304001	Nozzle, 25° (Green)	1
26	678152001	Nozzle, Detergent (Black)	1
27	308662001	Filter Screen (not shown)	1
28	940719001	Logo Label.....	1
29	940617005	Quick Start Guide Label.....	1
30	940660008	Gas / Prime Label	1
31	940678002	Data Label.....	1
32	940660014	Danger Label.....	1
33	940680002	Hot Surface Warning Label.....	1
34	961030001	Hangtag Label	1
35	678189001	Nut (M8)	7
36	678169001	Thermal Relief Valve.....	1
37	660969001	Bolt (M8 X 50 mm)	3
38	660969002	Bolt (M8 X 52 mm)	4
39	561474001	Arc Isolator.....	4
40	638128002	Washer (5/16 Flat).....	4
41	518470001	Plastic TRV Spout	1
42	308653001	Pump	1
43	561386001	Wand Holder	1
44	678041002	3/16 in. Output Shaft Key (Not shown).....	1
45	308663001	O-Ring Kit (not shown).....	1
	983000868	Operator's Manual	
	983000868R	Repair sheet (Rev:01)	
	03-29-06		

* STANDARD HARDWARE ITEM — MAY BE PURCHASED LOCALLY