

For Parts Call 606-678-9623 or 606-561-4983



**PRESSURE WASHER  
MODEL NO. HU80531  
REPAIR SHEET**

**TECHTRONIC INDUSTRIES NORTH AMERICA, INC.**

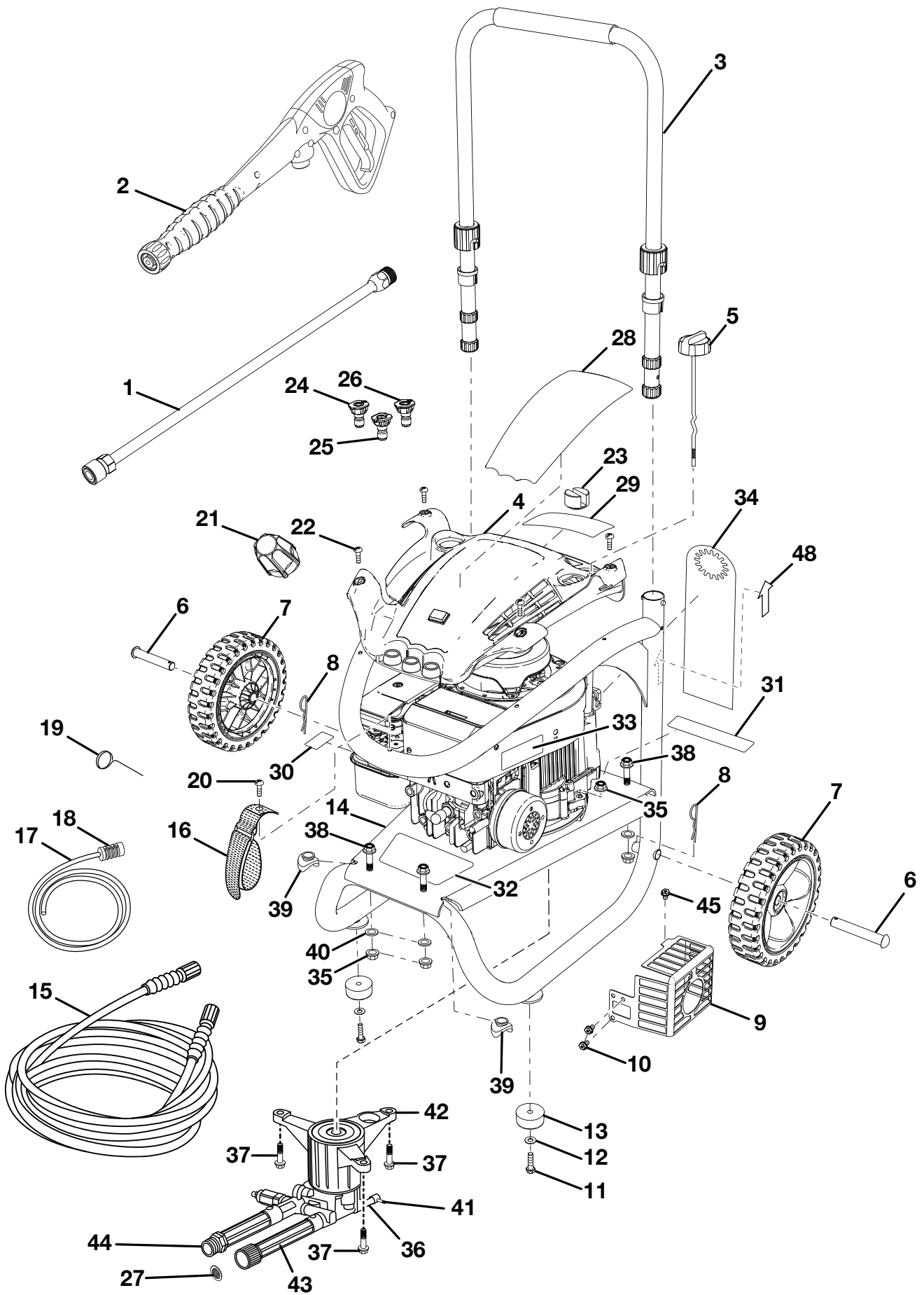
P.O. Box 35, Hwy. 8

Pickens, SC 29671

Phone 1-866-340-3912

[www.mymowerparts.com](http://www.mymowerparts.com)

HUSKY PRESSURE WASHER - MODEL NO. HU80531



The model number will be found on a plate attached to frame. Always mention the model number in all correspondence regarding your **PRESSURE WASHER** or when ordering replacement parts.

**PARTS LIST**

<b>KEY NO.</b>	<b>PART NUMBER</b>	<b>DESCRIPTION</b>	<b>QTY.</b>
1	308494004	Spray Wand Extension .....	1
2	308413005	Spray Wand .....	1
3	308415002	Handle Assembly .....	1
4	518383003	Engine Shroud Assembly .....	1
5	308658001	Oil Cap / Dipstick .....	1
6	120900011	Axle Assembly (Inc. Key No. 8) .....	2
7	308603001	Wheel Assembly .....	2
8	678238001	Hitch Pin .....	2
9	638323001	Muffler Guard .....	1
10	660991001	* Screw (M5 x 8 mm) .....	2
11	660945001	* Bolt (1/4-20 x 25 mm Hex Hd.) .....	2
12	638128003	* Washer, 1/4 in. ....	2
13	570554001	Rubber Foot .....	2
14	308471002	Frame .....	1
15	308414003	High Pressure Hose (20 ft.) .....	1
16	308652002	Hook and Loop Strap .....	1
17	561399003	Injection Hose .....	1
18	518391001	Injection Hose Filter .....	1
19	678148002	Nozzle Cleaning Tool .....	1
20	660733003	* Screw (12-14 x 13 mm) .....	1
21	308728002	Fuel Cap .....	1
22	660956001	* Screw (12-14 x 15 mm) .....	4
23	561386001	Wand Holder .....	1
24	678303001	Nozzle, 0° (Red) .....	1
25	678304001	Nozzle, 25° (Green) .....	1
26	678152001	Nozzle, Detergent (Black) .....	1
27	308662001	Filter Screen .....	1
28	940719004	Logo Label .....	1
29	940620006	Quick Start Guide Label .....	1
30	940721005	Gas / Prime Label .....	1
31	940678010	Data Label .....	1
32	940660014	Danger Label .....	1
33	940680002	Hot Surface Warning Label .....	1
34	960701001	Danger Label (Hang Tag) .....	1
35	678189001	Lock Nut (M8) .....	7
36	678169001	Thermal Relief Valve .....	1
37	660973005	* Bolt (M8 X 65 mm) .....	3
38	660969002	* Bolt (M8 X 52 mm) .....	4
39	561474001	Isolator .....	4
40	638128002	* Washer (5/16 in.) .....	4
41	518470001	Plastic TRV Spout .....	1
42	308653002	Pump (Inc. Key Nos. 43 and 44) .....	1
43	308861002	Inlet Tube .....	1
44	308862002	Outlet Tube .....	1
45	660959001	* Screw (M5 x 10 mm) .....	1
46	678041002	3/16 in. Output Shaft Key (Not Shown) .....	1
47	308663001	O-Ring Kit (not shown) .....	1
48	940758001	Press To Release Label .....	1
	987000088	Operator's Manual (960478003)	
	12-19-06		
	(Rev:00)		

\* STANDARD HARDWARE ITEM – MAY BE PURCHASED LOCALLY