



Spare parts list

(11071110) G 2600 PC

2010 03

98005020

www.kaercher.com

EN

CONTENTS LIST

1.0 Frame

2.0 Pump set

2.1 Cylinder head

VERSION 3

2.2 Piston

VERSION 3

3.0 Motor

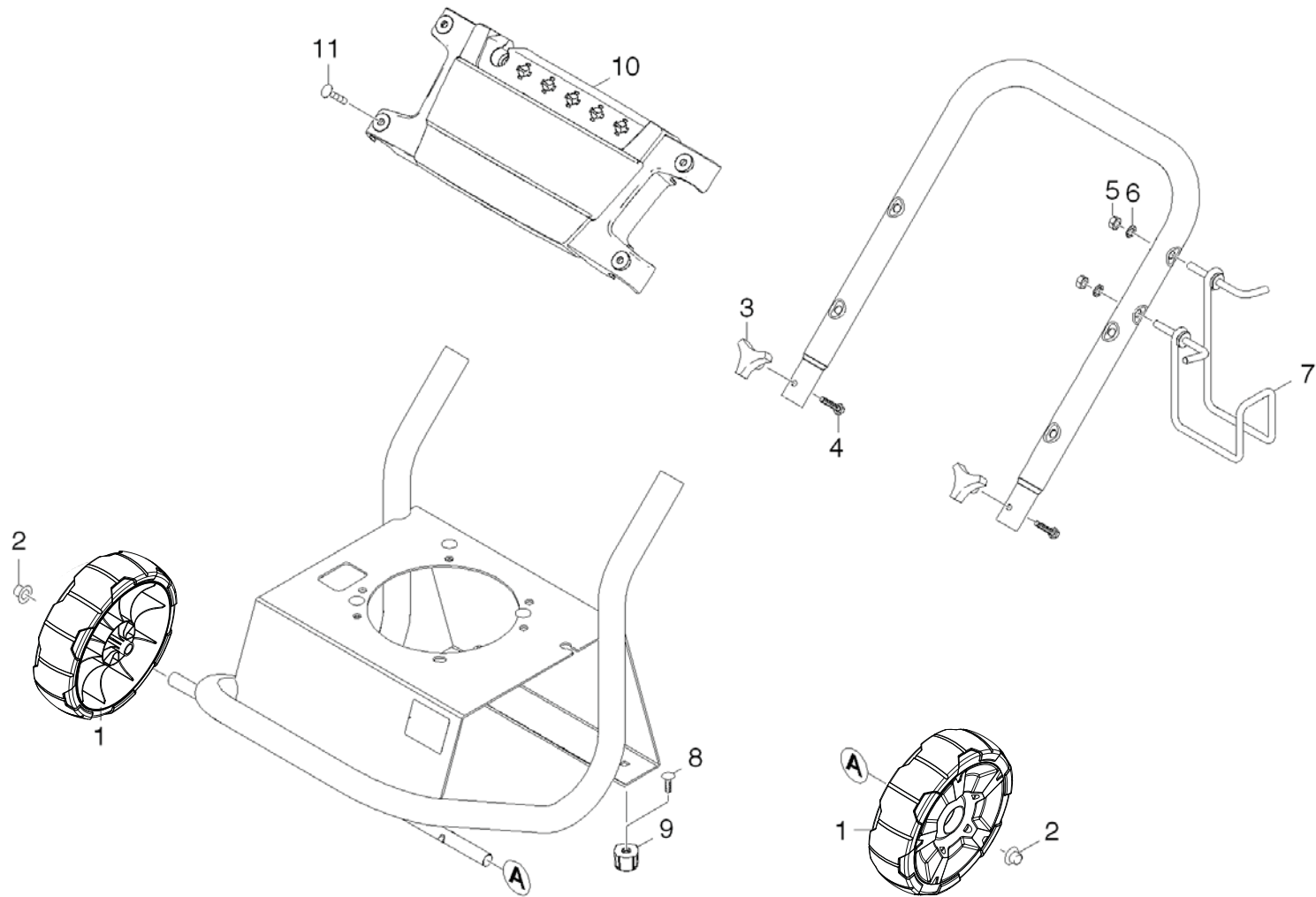
3.1 Motor

3.2 Transmission

VERSION 2

4.0 Accesories

1.0 Frame



1.0 Frame

POS	DESCRIPTION ADDITIONAL INFORMATIONS	PART NO	QTY.
1	PLASTIC WHEEL HUMMER	91890190	2
2	CAP BLACK PLASTIC, 5/8" FASTENER	91825060	2
3	KNOB 1/4"-20, 3PT. STAR	91823530	2
4	1/4-20 X 1-1/2" GR 2 HEX BOLT ZINC	91963070	2
5	5/16"-18 FINISHED HEX NUT ZINC	53101050	2
6	5/16" INTERNAL L/W .332 ID X .620 OD ZINC	91980030	2
7	HANGER LT SIDE	91420150	1
8	5/16-18 X 1/2 CARRIAGE BOLT A307 BLK	91963080	2
9	RUBBER DAMPENER 5/16"-18 FEMALE 2001	91834050	2
10	NAME PLATE	91340220	1
11	NYLON RIVET	91960490	4

2.0 Pump set

2.1 Cylinder head

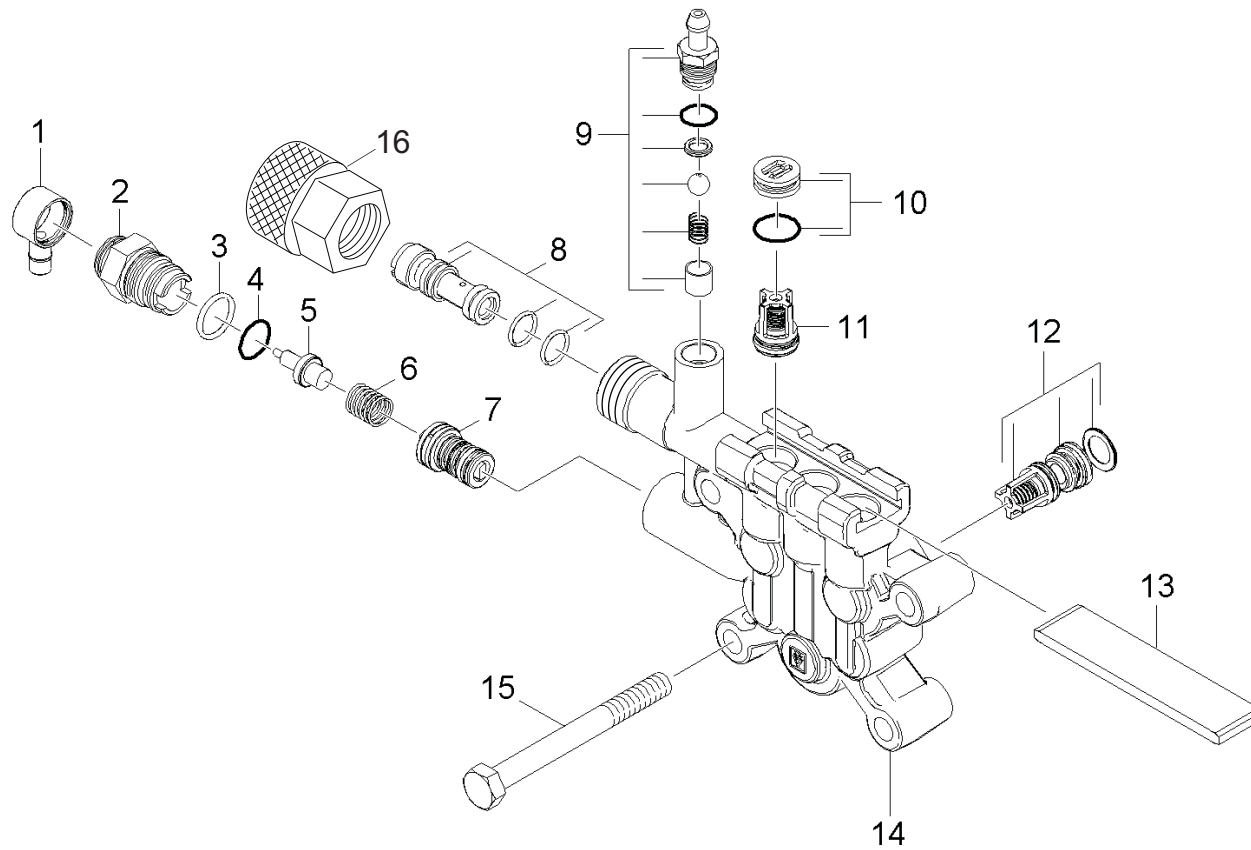
VERSION 3

2.2 Piston

VERSION 3



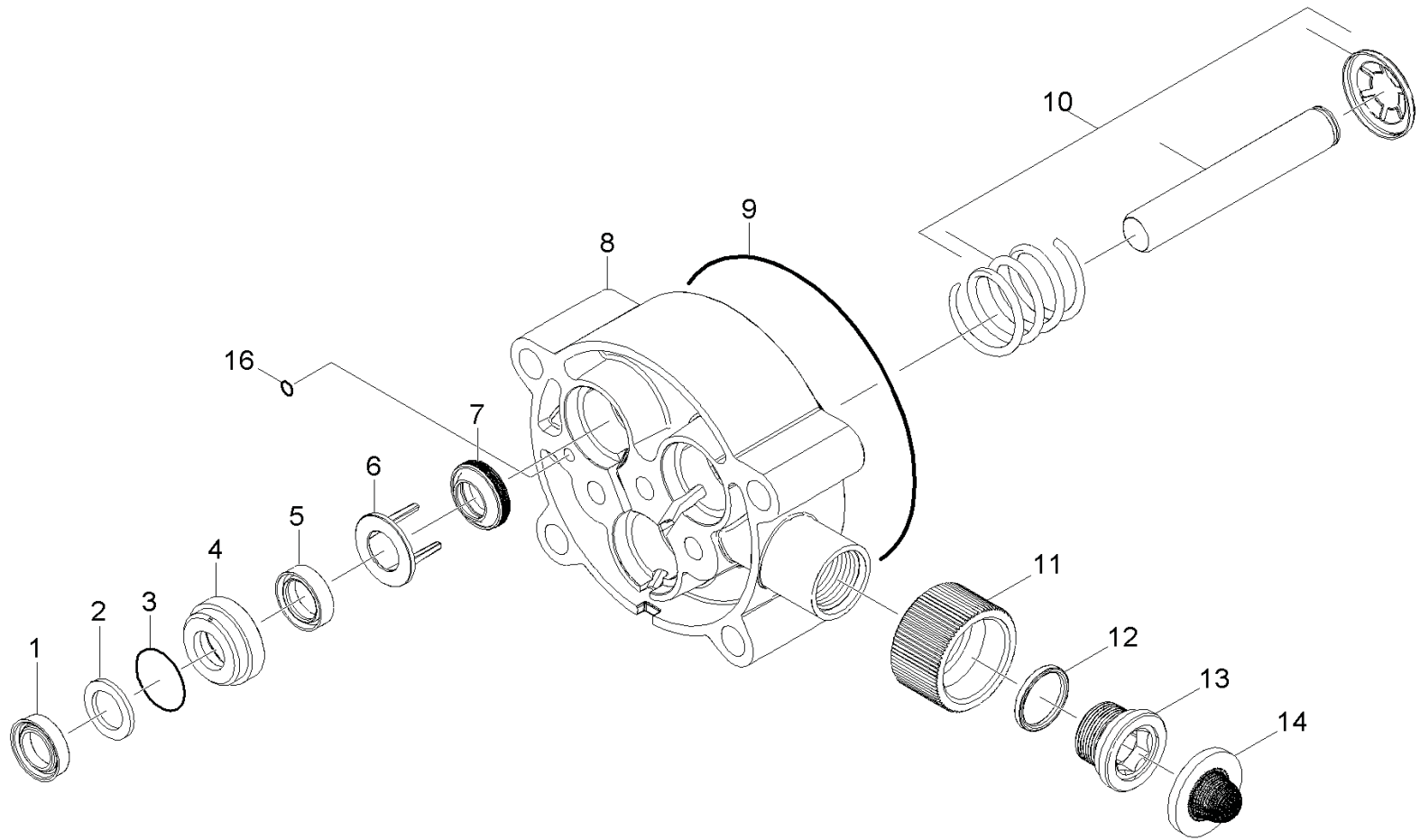
2.1 Cylinder head
VERSION 3



2.1 Cylinder Head
VERSION 3

POS	DESCRIPTION ADDITIONAL INFORMATIONS	PART NO	QTY.
1	THERMAL VALVE COVER-SHORT	91340210	1
2	VALVE SCREW	91840180	1
3	O-RING SEAL 12,42 X 1,78	63624800	1
4	O-RING SEAL 8 X 2-NBR 90 DIN 3770	73625070	1
5	TERMO VALVE TIN COATED	64134030	1
6	HELICAL SPRING	53322900	1
7	UNLOADER ASSEMBLY	91750050	1
8	SPARE PART LIST NOZZLE INS 020/021 PUMP	91393720	1
9	SPARE PART SET CHEMISTRY	28838620	1
10	DRAIN PLUG ONLY FOR REPLACEMENT	41320070	3
11	VALVE (3 STÜCK) SET CONSITSTS OF 3X VALVE	28849160	1
12	SPARE PART LIST VALVE COM 020/021 PUMP SET CONSITSTS OF 3X VALVE	91393710	1
13	PLATE	50030620	1
14	CYLINDER HEAD-MACHINED	91350150	1
15	HEXAGONAL HEAD SCREW M8X80-8.8-A2E ISO	73040980	4
16	QUICK CONNECT	91540450	1

2.2 Piston
VERSION 3



2.2 Piston**VERSION 3**

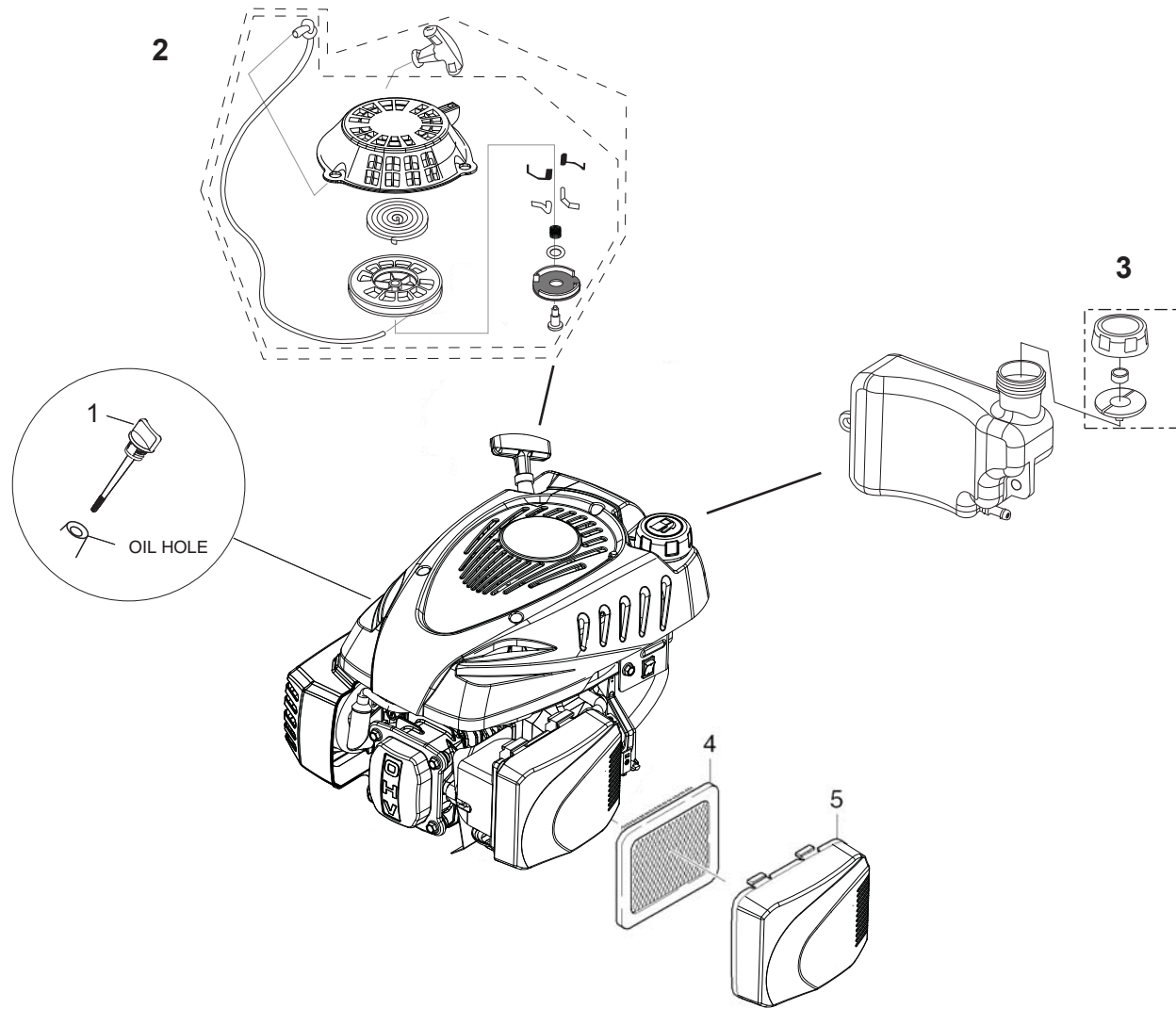
POS	DESCRIPTION ADDITIONAL INFORMATIONS	PART NO	QTY.
1	HIGH PRESSURE SEAL	91773010	3
2	BACK RING-HIGH PRESSURE SEAL	91773100	3
3	O-RING SEAL 21,5 X 1,78	63628330	3
4	HOUSING-LOW PRESSURE REAL	91550110	3
5	GROOVED RING	63630580	3
6	SPACER-OIL SEAL & SEAL HSG.	91340160	3
7	OIL SEALING 12X20X476	63653930	3
8	PISTON GUIDE-MACHINED	91330070	1
9	O-RING SEAL 80,0 X 3,0 -NBR 70	63624710	1
10	SPARE PART LIST PISTON 020/021 PUMP	91393700	3
11	FEMALE HOSE CONNECTOR	91550130	1
12	O-RING SEAL 15,6 X 1,78	63623900	1
13	MALE ADAPTER	91340190	1
14	FILTER SEAL-HOSE CONNECTOR	91800050	1
16	GASKET 4.47 X 1.78	63631900	1

3.0 Motor

3.1 Motor
3.2 Transmission
VERSION 2



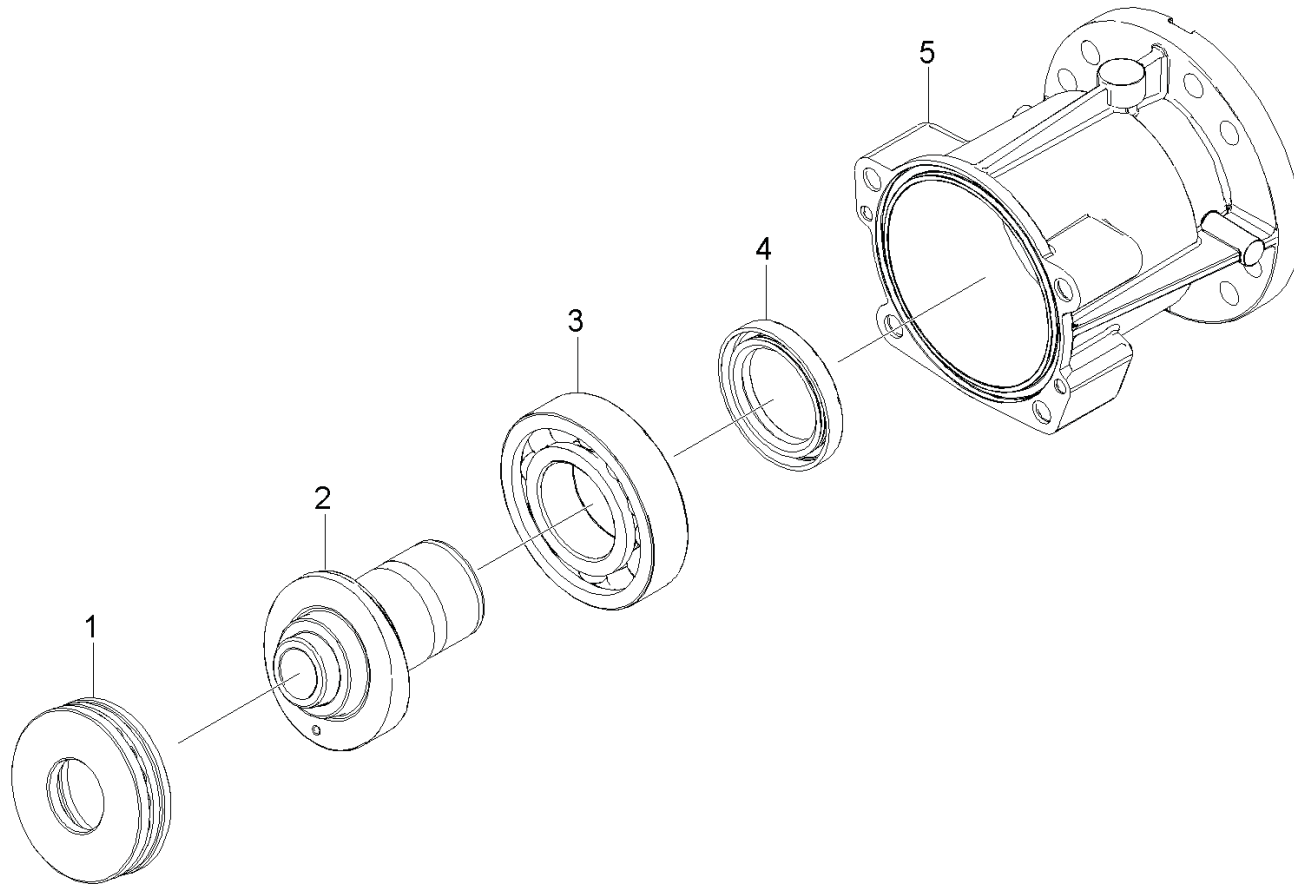
3.1 Motor



3.1 Motor

POS	DESCRIPTION ADDITIONAL INFORMATIONS	PART NO	QTY.
1	OIL DIP STICK ASSEMBLY	87503270	1
2	STARTER RECOIL	87503780	1
3	TANK, ASSEMBLY, FUEL	87504070	1
4	ELEMENT, AIR CLEANER	87503950	1
5	COVER, AIR CLEANER CASE	87503960	1

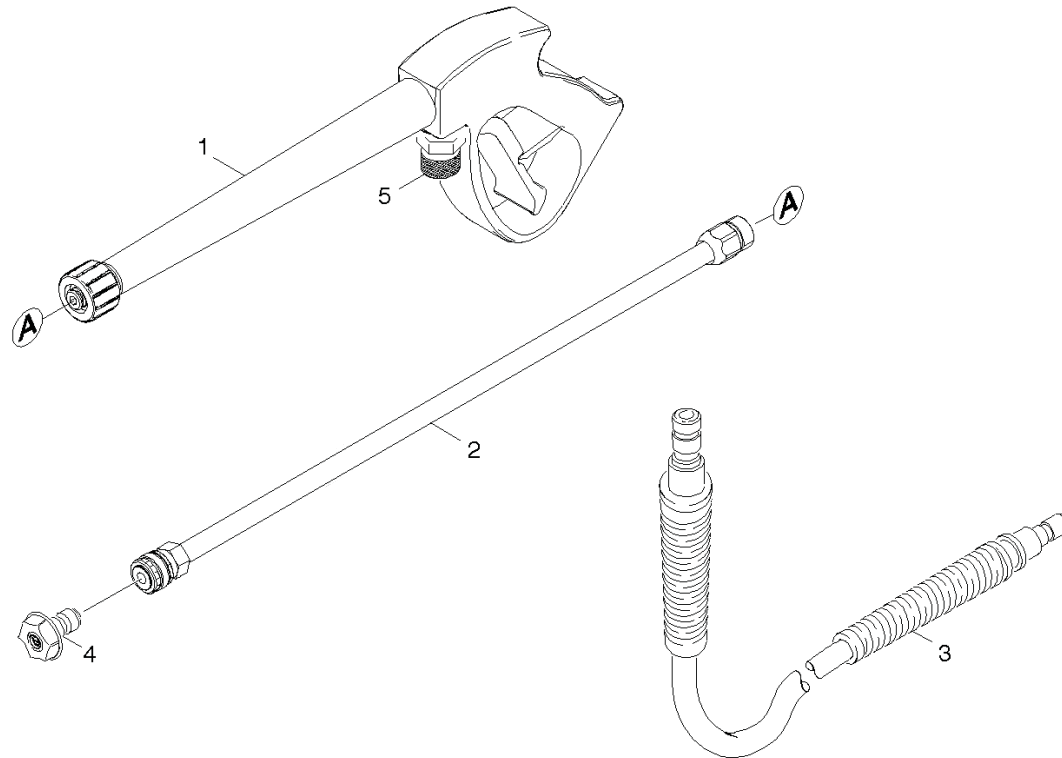
3.2 Transmission
VERSION 2



3.2 Transmission

POS	DESCRIPTION ADDITIONAL INFORMATIONS	PART NO	QTY.
1	GROOVED BALL BEARING	91653550	1
2	SWASH PLATE VERTIGAL-MACHINED	91350170	1
3	BALL BEARING NO. 6207	91653560	1
4	RADIAL SEAL, 35X52X7	91773140	1
5	OIL HOUSING VERTICAL MACHINED	91350160	1

4.0 Accessories



4.0 Accessories

POS	DESCRIPTION ADDITIONAL INFORMATIONS	PART NO	QTY.
1	AL BIT 101 TRIGGER GUN	91120120	1
2	LANCE-AL QUICK CONNECT MALE 3000 PSI	91125330	1
3	HOSE HP DNG 25FT 3000 PSI H&G	87259780	1
4	QUICK CONNECT NOZZLE KIT (0325)	91040160	1
5	QUICK CONNECT	91540450	1