

OPERATOR'S MANUAL

CRAFTSMAN®

**MAX 1700 PSI* @ 1.0 GPM
1000 PSI @ 1.3 GPM* MAX
ELECTRIC PRESSURE WASHER**

Model No. 580.750290



HOURS: Mon. - Fri. 8 a.m. to 5 p.m. (CT)



WARNING

Before using this product, read this manual and follow all Safety Rules and Operating Instructions.



ADVERTENCIA

Antes de utilizar el producto, lea este manual y siga todas las Reglas de Seguridad e Instrucciones de Uso.

- Safety
- Assembly
- Operation
- Maintenance
- Parts
- Español, p. 18

* This pressure washer is rated in accordance to the Pressure Washer Manufacturers Association (PWMA) standard PW101-2010 (Testing and Rating Performance of Pressure Washers).

* Esta limpiadora a presión está clasificada conforme a la norma PW101-2010 (comprobación y clasificación de rendimiento de limpiadoras a presión) de la Asociación de fabricantes de bombas a presión (Pressure Washer Manufacturers Association, PWMA).

Sears Brands Management Corporation, Hoffman Estates, IL 60179 U.S.A.
Visit our Craftsman website: www.craftsman.com

TABLE OF CONTENTS

WARRANTY	2	MAINTENANCE	11-13
SAFETY RULES	3-4	STORAGE	13
FEATURES AND CONTROLS	5	TROUBLESHOOTING	14
ASSEMBLY	6-8	REPLACEMENT PARTS	15
OPERATION	8-10	NOTES	16-17
SPECIFICATIONS	11	ESPAÑOL	18-31

WARRANTY

CRAFTSMAN ONE YEAR LIMITED WARRANTY

FOR ONE YEAR from the date of purchase, this product is warranted against defects in material or workmanship. With proof of purchase, a defective product will be replaced free of charge.

For warranty coverage details to obtain free replacement, visit the web page: www.craftsman.com/warranty

This warranty does not cover spray guns, hoses, nozzle extensions, nozzles, spray tips or filters, which are expendable parts that can wear out from normal use within the warranty period.

This warranty is void if this product is ever used while providing commercial services or if rented to another person.

This warranty gives you specific legal rights and you may also have other rights which vary from state to state.

Sears Brands Management Corporation, Hoffman Estates, IL 60179

SAFETY RULES

SAVE THESE INSTRUCTIONS



Read this manual carefully and become familiar with your pressure washer. Know its applications, its limitations, and any hazards involved.

Important Safety Information

Safety Symbols and Meanings



Read Manual



Electrical Shock



Fire



Slippery Surface



Fall



Fluid Injection



Projectile



Flying Objects



Chemical Burn

The safety alert symbol indicates a potential personal injury hazard. A signal word (DANGER, WARNING, or CAUTION) is used with the alert symbol to designate a degree or level of hazard seriousness. A safety symbol may be used to represent the type of hazard. The signal word *NOTICE* is used to address practices not related to personal injury.

DANGER indicates a hazard which, if not avoided, *will* result in death or serious injury.

WARNING indicates a hazard which, if not avoided, *could* result in death or serious injury.

CAUTION indicates a hazard which, if not avoided, *could* result in minor or moderate injury.

NOTICE address practices not related to personal injury.

For Servicing of a Double-Insulated Appliance, See Assembly Section.



WARNING Risk of electrocution. Use of an extension cord could cause electric shock or burn resulting in death or serious injury.

- DO NOT use an extension cord with this electric pressure washer. Your home's electrical circuit receptacle or extension cord may not provide lifesaving ground-fault circuit-interruption protection.



WARNING Risk of electrocution. Contacting both power conductors, at the same time could cause electric shock or burn resulting in death or serious injury.

- Inspect cord before each use, DO NOT use if cord is damaged.
- The product is equipped with a ground fault circuit interrupter (GFCI) built into the power cord plug. If replacement of the plug or cord is required, use only identical replacement parts.
- Keep all connections dry and off the ground.
- DO NOT touch plug with wet hands.
- DO NOT run cord through doorways, windows, holes in ceilings, walls, or floors.
- DO NOT walk on cord.
- DO NOT drive over, drag or place objects over cord.
- DO NOT spray near power source.




WARNING Use of electric pressure washer could create puddles and slippery surfaces. Risk of kickback. Spray gun could kickback causing you to fall resulting in death or serious injury.

- Operate the electric pressure washer from a stable surface.
- Do not overreach or stand on unstable support. Keep good footing and balance at all times.
- The cleaning area should have adequate slopes and drainage to reduce the possibility of a fall due to slippery surfaces.
- Be extremely careful if you must use the electric pressure washer from a ladder, scaffolding, or any other similar location.
- Firmly grasp spray gun with both hands when using power spray modes to avoid injury when spray gun kicks back.




WARNING Chemical Burn Hazard. Chemicals could cause burns resulting in death or serious injury.

- Always wear indirect vented (chemical splash) safety goggles marked to comply with ANSI Z87.1 when using chemicals.
- DO NOT substitute safety glasses or dry-condition goggles for indirect vented safety goggles.
- DO NOT use caustic liquid with electric pressure washer.
- Use ONLY pressure washer safe detergents/soaps. Follow all manufacturers instructions.


 **WARNING** Risk of eye or bodily injury. Spray could splash back, propel objects or cause internal harm resulting in serious injury.

- Always wear indirect vented (chemical splash) safety goggles marked to comply with ANSI Z87.1 when using or in vicinity of this equipment. NEVER substitute safety glasses or dry-condition goggles for indirect vented safety goggles.
- Know how to stop the pressure washer and bleed pressure quickly. Be thoroughly familiar with the controls.
- DO NOT allow CHILDREN to operate the electric pressure washer.
- Keep operating area clear of all persons.
- Inspect high pressure hose before each use. NEVER repair high pressure hose; replace it.
- DO NOT repair leaking connections with sealant of any kind; replace o-rings and gaskets.
- Keep hose connected to electric pressure washer and spray gun while system is pressurized.
- ALWAYS point spray gun in safe direction while system is pressurized and squeeze spray gun trigger to release high pressure, every time you turn off the unit.
- DO NOT aim spray gun at people or animals.
- DO NOT drink from hose connected accessories.
- DO NOT secure spray gun in open position.
- DO NOT leave spray gun unattended while the electric pressure washer is in ON (I) position.
- DO NOT use a spray gun which does not have a trigger lock or trigger guard in place and in working order.
- Always be certain spray gun and accessories are correctly attached.
- Stay alert – watch what you are doing.
- DO NOT operate the product when fatigued or under the influence of alcohol or drugs.
- Close supervision is necessary when this product is used near children.


 **WARNING** The high pressure stream of water that this equipment produces could cut through skin and its underlying tissues, resulting in serious injury and possible amputation.

Spray gun traps high water pressure, even when motor is stopped and water is disconnected, which could result in serious injury.

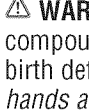
- NEVER aim spray gun at people, animals, or plants.
- ALWAYS point spray gun in safe direction, squeeze spray gun trigger to release high pressure, every time you turn off pressure washer.

 **WARNING** Risk of fire. Spraying flammable liquids could result in death or serious injury.

- DO NOT spray flammable liquids.

 **WARNING** Risk of fire. Overheated cord could result in death or serious injury.

- Uncoil cord completely prior to use.
- DO NOT cover cord with any material.

 **WARNING** This product contains lead and lead compounds, known to the State of California to cause birth defects or other reproductive harm. *Wash your hands after handling this product.*

NOTICE High pressure spray could damage fragile items including glass.

- DO NOT point spray gun at glass when using turbo spray tip.
- NEVER aim spray gun at plants.

NOTICE Improper treatment of electric pressure washer could damage it and shorten its life.

- If you have questions about intended use, ask dealer or contact authorized service center.
- DO NOT operate units with broken or missing parts, or without protective housing or covers.
- DO NOT by-pass any safety device on the electric pressure washer.
- DO NOT modify the electric pressure washer in any way.
- Before starting the electric pressure washer in cold weather, check all parts of the equipment to be sure ice has not formed there.
- DO NOT move the electric pressure washer by pulling on hoses. Move unit using the transport handle supplied.
- This equipment is designed to be used with Sears authorized parts **ONLY**. If equipment is used with parts that DO NOT comply with minimum specifications, user assumes all risks and liabilities.

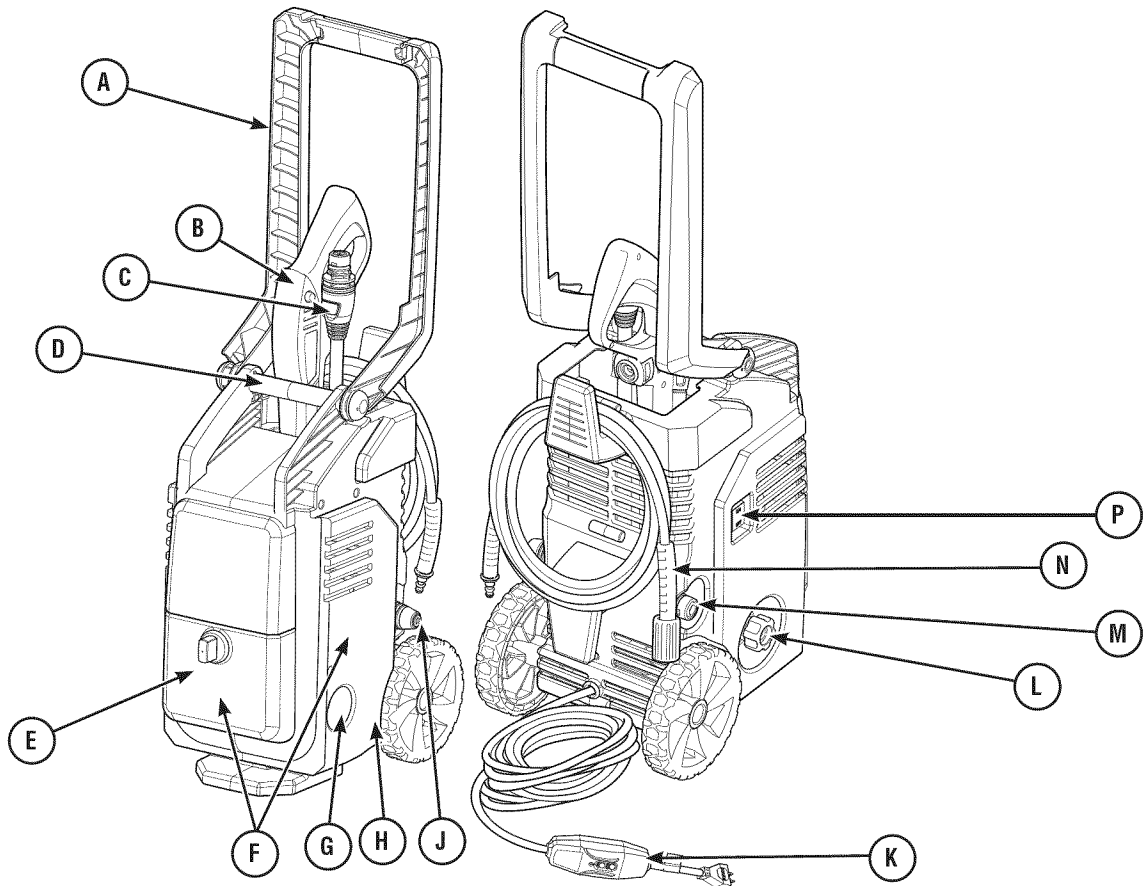
FEATURES AND CONTROLS

KNOW YOUR PRESSURE WASHER



Read the Operator's Manual and safety rules before operating your pressure washer.

Compare the illustrations with your pressure washer to familiarize yourself with the locations of various controls and adjustments. Save this manual for future reference.



- A - Fold Down Handle** — Handle folds down for space saving storage.
- B - Spray Gun** — Controls the application of water onto cleaning surface with trigger device. Includes trigger lock.
- C - Plastic Wand** — Allows you to switch between three different spray tips.
- D - Handle Lock Bar** — Slides side to side; to lock handle in place and unlock to fold handle down.
- E - Detergent Tank** — Use to hold up to one quart (0.95 l) of PerfectMix™ detergent in tank.
- F - Warning Labels** — Identifies hazards to be avoided when using your pressure washer.
- G - High Pressure Water Outlet** — Connection for high pressure hose.
- H - Identification Label** — Provides model and serial number of pressure washer. Please have these readily available if calling for assistance.

- J - Turbo Spray Tip** — Whirls a powerful pin-point jet of water for intense cleaning.
- K - Electric Cord with GFCI** — The electric pressure washer and operator is protected by a ground fault circuit interrupter (GFCI).
- L - Water Supply Inlet** — Connect to water supply using a 50 ft. (15.24 m) maximum garden hose.
- M - Spray Tips** — White tipped spray tip for general soap applications. Orange tipped spray tip is for various high pressure applications.
- N - High Pressure Hose** — Connect one end to high pressure water outlet and the other end to spray gun.
- P - Master ON/OFF Toggle Switch** — Push top of switch in (I) to turn pressure washer ON. Push bottom of switch in (O) to turn pressure washer OFF.

ASSEMBLY

Your electric pressure washer requires some assembly but is quickly ready for use.

If you have any problems with the assembly of your pressure washer, please call the pressure washer helpline at 1-800-222-3136.

UNPACK THE PRESSURE WASHER

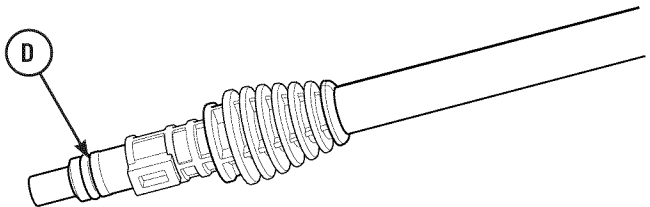
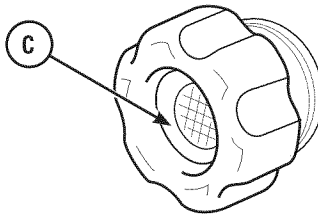
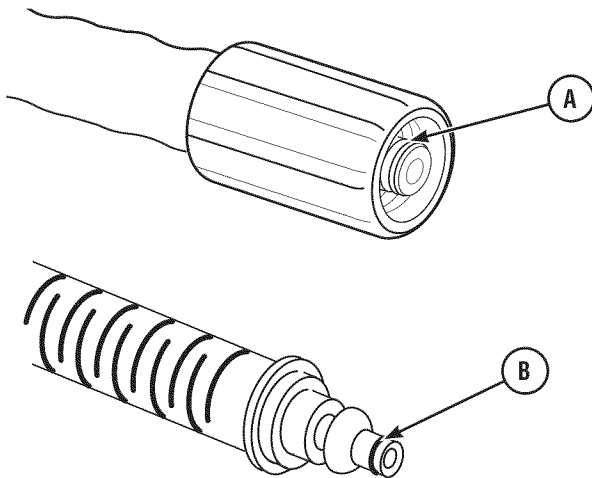
1. Remove everything from carton.
2. Ensure you have all included items prior to assembly.

CARTON CONTENTS

Check all contents. If any parts are missing or damaged, call the pressure washer helpline at **1-800-222-3136**.

- Main unit
- Spray gun
- High pressure hose
- Plastic wand
- Quick connect spray tips (3)
- Parts bag (which includes the following):
 - O-ring Kit
 - Operator's manual
 - Owner's registration card

Become familiar with each piece before assembling the pressure washer. Identify all contents with the illustration on page 5. If any parts are missing or damaged, call the pressure washer helpline at **1-800-222-3136**.



ASSEMBLING PRESSURE WASHER

Your Craftsman pressure washer will need assembly before operation:

1. Fill out and send in registration card.
2. Lubricate o-rings.
3. Connect pressure hose to spray gun and pump.
4. Connect water supply to pump.
5. Attach plastic wand to spray gun.
6. Attach quick connect spray tip to plastic wand.

Lubricate O-Rings

Lubrication of o-rings is extremely important for installation and operation. The use of a lubricant (petroleum or synthetic grease) during assembly helps seat o-rings properly and provides an improved seal. It also helps protect the o-ring from damage by abrasion, pinching or cutting and extends the life of the o-ring.

NOTICE ALWAYS apply a small amount of lubricant on o-rings prior to assembling the high pressure hose (pump end) **(A)**, high pressure hose (gun end) **(B)**, garden hose to the pump **(C)**, and plastic wand (gun end) **(D)**.

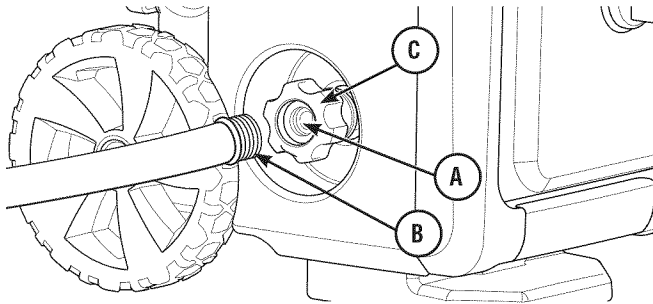
Lubricate all connections shown below, following these instructions:

1. Inspect and clean connecting surfaces prior to lubrication and assembly.
2. Use lubricants sparingly during assembly; a light film is all that is required.
3. Use a small brush or cotton swab to apply grease directly to o-rings where they are not accessible (QC fitting, M22 fitting).

Connect Hoses and Water Supply

NOTICE Use ONLY cold water (less than 100°F).

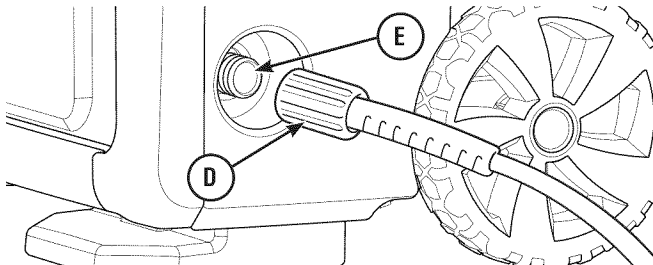
1. Attach garden hose (50 ft. / 15.24 m maximum) to water supply.
2. Run water through garden hose for 30 seconds to flush the hose of debris. Turn off water.
3. Confirm that water inlet screen (A) is installed in water inlet located on left side from front of unit; Do Not remove except for cleaning.



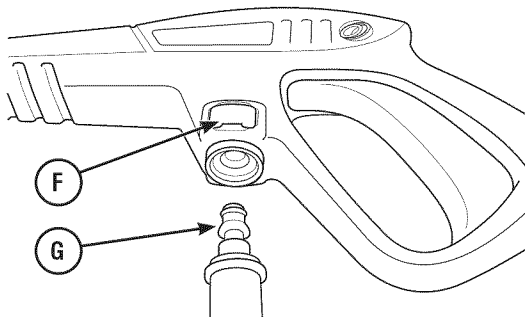
NOTICE If inlet screen is damaged or missing, DO NOT use electric pressure washer. Call 1-800-222-3136 for assistance.

NOTICE DO NOT run the pump without the water supply connected and turned on.

- Damage to equipment resulting from failure to follow this instruction will void warranty.
4. Attach opposite end of garden hose (B) to the water inlet coupling (C). Tighten by hand.
 5. Attach high pressure hose (D) to the unit's water outlet (E) located on right side from front of unit. Tighten by hand.

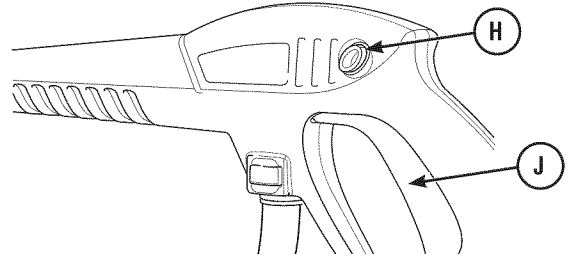


6. Attach opposite end of high pressure hose to the spray gun. Press red button (F) on spray gun, then insert end of high pressure hose (G) into gun until it SNAPS into place. Release the red button and make sure connection is secure.

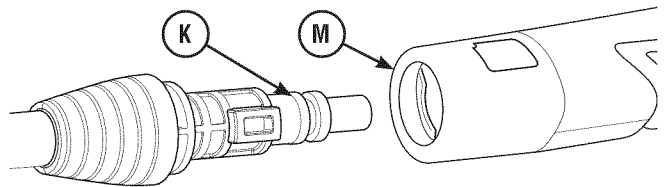


Connect Wand and Spray Tip

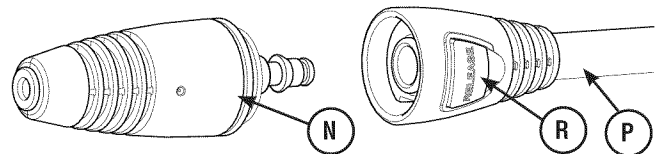
1. Turn ON water, point gun in a safe direction, press trigger lock button (H), then squeeze trigger (J) to purge pump system and spray gun of air and impurities.



2. Insert and twist plastic wand (K) into spray gun (M). Once wand slides into gun, apply further inward pressure to wand and twist 1/4 turn clockwise until securely in place.



3. Turn OFF water and release trigger. Point gun in a safe direction and make sure trigger cannot be squeezed.
4. Insert the spray tip (N) into plastic wand (P). Once spray tip slides into gun, apply further inward pressure until it SNAPS into place.



NOTICE To remove spray tip, press release button (R) on wand and pull it away from the wand.

Checklist Before Starting Pump Motor

Review the unit's assembly to ensure you have performed all of the following.

1. Be sure to read *Operator Safety* and *Operation* before using the electric pressure washer.
2. Check for properly tightened hose connections.
3. Check to make sure there are no kinks, cuts, or damage to hoses.
4. Provide a proper water supply at an adequate flow (not to exceed 100°F).
5. Plug electrical power cord into an electrical circuit rated for 120 Volts AC at 15 Amps that is properly installed in accordance with all local codes and ordinances.

Servicing Of A Double-Insulated Appliance

In a double-insulated product, two systems of insulation are provided instead of grounding. No grounding means is provided on a double-insulated product, nor should a means for grounding be added to the product. Servicing a double-insulated product requires extreme care and knowledge of the system, and should be done only by qualified service personnel. Replacement parts for a double-insulated product must be identical to the parts they replace. A double-insulated product is marked with the words "DOUBLE INSULATION" or "DOUBLE INSULATED."



The symbol  means DOUBLE-INSULATED APPLIANCE.

Ground Fault Circuit Interrupter Protection

This pressure washer is provided with a ground-fault circuit-interrupter (GFCI) built into the plug of the power supply cord. This device provides additional protection from the risk of electric shock. Should replacement of the plug or cord become necessary, use only identical replacement parts that include GFCI protection.

OPERATION

HOW TO USE YOUR PRESSURE WASHER

If you have any problems operating your pressure washer, please call the pressure washer helpline at **1-800-222-3136**.

How to Start Your Electric Pressure Washer

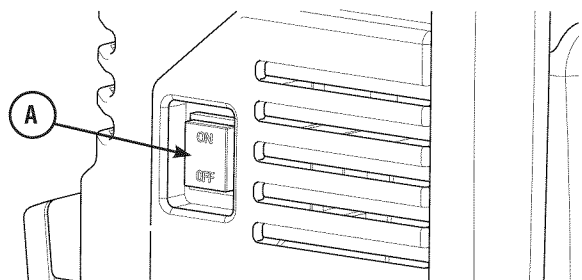


WARNING Risk of eye injury. Spray could splash back or propel objects resulting in serious injury. Always wear indirect vented (chemical splash) safety goggles marked to comply with ANSI Z87.1 when using or in vicinity of this equipment. NEVER substitute safety glasses or dry-condition goggles for indirect vented safety goggles.

1. Place the electric pressure washer near an outside water source capable of supplying water at a flow rate greater than 3 gallons per minute (11.4 l) and no less than 20 psi (1.38 bars) at the electric pressure washer end of garden hose. DO NOT siphon supply water.
2. Connect garden hose to water inlet.
3. Check that high pressure hose is tightly connected to spray gun. See *Connect Hoses and Water Supply* for illustrations.

NOTICE DO NOT run the pump without the water supply connected and turned on.

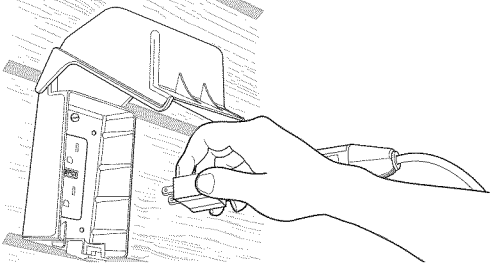
- Damage to equipment resulting from failure to follow this instruction will void warranty.
4. Turn ON water, point gun in a safe direction, press trigger lock button and squeeze trigger to purge pump system of air.
 5. Remove any dirt or foreign matter from spray tips. Install wand and spray tip onto spray gun. See *Connect Hoses and Water Supply* and *How to Use Spray Tips* for details.
 6. Press the master ON/OFF switch (**A**) to the OFF (O) position.



⚠ WARNING Risk of electrocution. Use of an extension cord could cause electric shock or burn resulting in death or serious injury.

- DO NOT use an extension cord with this electric pressure washer. Your home's electrical circuit receptacle or extension cord may not provide lifesaving ground-fault circuit-interruption protection.

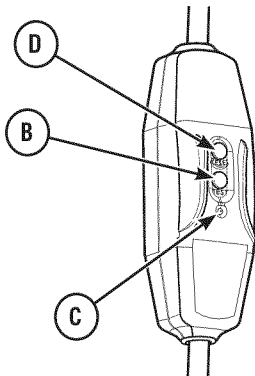
7. Plug electrical power cord into an electrical circuit rated for 120 Volts AC at 15 Amps that is properly installed in accordance with all local codes and ordinances. The indicator light on the GFCI should be ON.



NOTICE The indicator light must be ON for the electric pressure washer to operate.

⚠ WARNING Risk of electrocution. Non-operating ground fault circuit interrupter (GFCI) could result in death or serious injury. If indicator light does not stay ON after test and reset, do not use GFCI.

8. Press TEST button (B). The indicator light (C) should be OFF.



9. Press RESET button (D). The indicator light (C) should be ON.

NOTICE DO NOT use the electric pressure washer if above test fails.

10. Press the master ON/OFF switch to the ON (I) position.
11. Point gun in a safe direction, press trigger lock button and squeeze trigger. The electric pressure washer motor will start and stop as spray gun trigger is depressed and released.

The electric pressure washer is now ready for use. Instructions for use of the supplied accessories are given later in this section.

How to Stop Your Electric Pressure Washer

The electric pressure washer motor runs only when the trigger is engaged. To stop the electric pressure washer and turn off the motor:

1. Release spray gun trigger.
2. Press the master ON/OFF switch to the OFF (O) position.

NOTICE Releasing the trigger will shut off the motor but does not shut off electrical power to the unit.

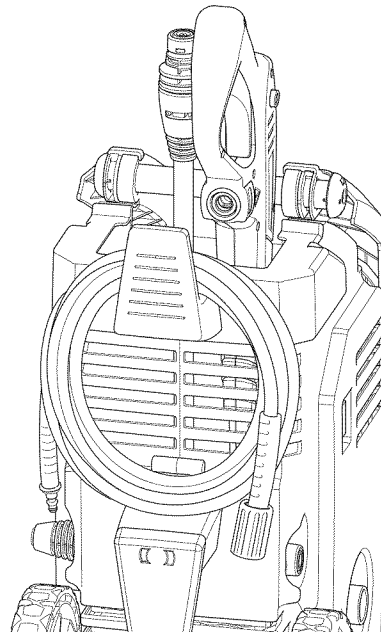
3. Turn off water supply.
4. ALWAYS point spray gun in a safe direction and squeeze spray gun trigger to relieve built up pressure in the unit.

⚠ WARNING The high pressure stream of water that this equipment produces could cut through skin and its underlying tissues, resulting in serious injury and possible amputation.

Spray gun traps high water pressure, even when motor is stopped and water is disconnected, which could result in serious injury.

- Keep high pressure hose connected to pump and spray gun while system is pressurized.
- ALWAYS point spray gun in safe direction, squeeze spray gun trigger to release high pressure, every time you turn off pressure washer.

5. Disconnect GFCI plug from outlet and coil power cord.
6. Coil and store high pressure hose, spray gun and accessories on the unit.



How to Use Spray Tips

You should now be familiar with how to START and STOP your electric pressure washer. If not, please refer to the previous section to familiarize yourself with STARTING and STOPPING the system before continuing.



There are three spray tips supplied with the pressure washer. The turbo spray tip whirls a powerful pin-point jet of water for intense cleaning. The white tipped spray tip is for general soap applications and the orange tipped spray tip is for various high pressure applications.

Usage Tips

- For most effective cleaning, keep spray tip from 8 to 24 inches away from cleaning surface.
- If you get spray tip too close, especially using a high pressure setting, you may damage surface being cleaned.
- Do Not get closer than 6 inches when cleaning tires.

Applying Detergent

⚠ WARNING Chemical Burn Hazard.

  Chemicals could cause burns resulting in death or serious injury.

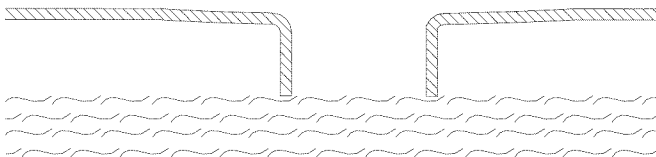
- Always wear indirect vented (chemical splash) safety goggles marked to comply with ANSI Z87.1 when using chemicals.
- DO NOT substitute safety glasses or dry-condition goggles for indirect vented safety goggles.
- DO NOT use caustic liquid with electric pressure washer.
- Use ONLY pressure washer safe detergents/soaps. Follow all manufacturers instructions.

To apply detergent, follow these steps:

1. Review use of spray tips in *How to Use Spray Tips*.
2. Tip unit back and remove detergent tank cap.
3. Fill tank with PerfectMix™ concentrate solution.

NOTICE USE ONLY PerfectMix™ concentrate with your pressure washer. Use of any other non-concentrated solutions will not give you the results you expect.

NOTICE Do not fill above bottom of filler tank neck or detergent will leak out of cap when tipped back upright.



4. Reinstall detergent tank cap and tip unit back upright.
5. Install white tipped spray tip.

NOTICE Detergent cannot be applied with turbo or orange spray tip.

6. Make sure garden hose is connected to water inlet. Check that high pressure hose is connected to spray gun and pump. Turn on water.


NOTICE You must attach all hoses before you start the pressure washer.

7. Start the pressure washer as instructed in *How to Start Your Electric Pressure Washer*.
8. Apply detergent to a dry surface, starting at lower portion of area to be washed and work upward using long, even, overlapping strokes.
9. Allow detergent to “soak in” for 3-5 minutes before washing and rinsing. Reapply as needed to prevent surface from drying. To prevent streaking, do not allow detergent to dry on surface.

Electric Pressure Washer Rinsing

1. Remove white tipped spray tip from wand.
2. Install orange tipped spray tip.
3. Keep spray gun a safe distance from area you plan to spray.

⚠ WARNING Risk of kickback.

 Spray gun could kickback causing you to fall resulting in death or serious injury.

- Operate the electric pressure washer from a stable surface.
- Be extremely careful if you must use the electric pressure washer from a ladder, scaffolding, or any other similar location.
- Firmly grasp spray gun with both hands when using power spray modes to avoid injury when spray gun kicks back.

4. Apply a high pressure spray to a small area and then check surface for damage. If no damage is found, you can assume it is okay to continue rinsing.
5. Start at top of area to be rinsed, working down with same overlapping strokes as you used for cleaning.

Other Cleaning Tips

- NEVER leave the electric pressure washer unattended while it is plugged into an electrical outlet and while water is supplied to the equipment.
- If you have the spray tip too far away from the surface being washed, the cleaning may not be as effective.

SPECIFICATIONS

PRODUCT SPECIFICATIONS

Pressure Washer Specifications

Max Outlet Pressure1700 PSI@1.0 GPM*
Max Flow Rate1000 PSI@1.3 GPM*
Detergent Mix See MFR's Instructions
Water Supply Temperature Not to exceed 100°F (38°C)
Motor Universal (brush) Type
Rated Voltage 120 Volts AC
Current12.5 Amps

* This pressure washer is rated in accordance to the Pressure Washer Manufacturers Association (PWMA) standard PW101-2010 (Testing and Rating Performance of Pressure Washers).

MAINTENANCE

OWNER'S RESPONSIBILITIES

General Recommendations

Regular maintenance will improve the performance and extend the life of the pressure washer.

The pressure washer warranty does not cover items that have been subjected to operator abuse or negligence. To receive full value from the warranty, the operator must maintain pressure washer as instructed in this manual including proper storage as detailed in *Storage*.

Before Each Use

1. Clean debris.
2. Check water inlet screen for debris or damage.
3. Check high pressure hose for leaks.
4. Check spray gun operation.

PRESSURE WASHER MAINTENANCE

Clean Debris

Daily or before use, clean accumulated debris from electric pressure washer. Inspect cooling air slots and openings on the front, rear and bottom of the electric pressure washer. These openings must be kept clean and unobstructed.

The electric pressure washer parts should be kept clean to reduce the risk of overheating and ignition of accumulated debris.

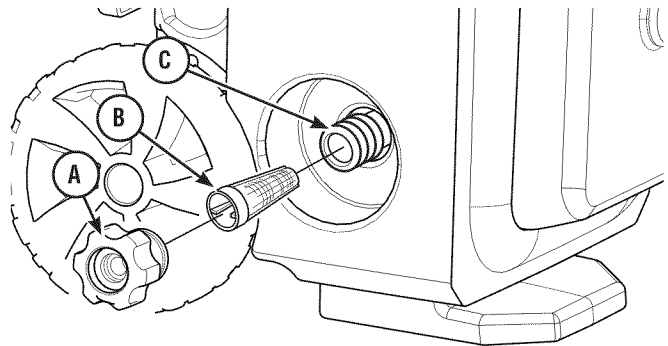
- Use a damp cloth to wipe exterior surfaces clean.

NOTICE Improper treatment of the electric pressure washer can damage it and/or shorten its life.

- DO NOT insert any objects through cooling slots.

Check and Clean Water Inlet Screen

Remove water inlet coupling (A). Then remove water inlet screen (B) from the unit's water inlet (C) using a needle nose pliers. Water inlet is located on left side from front of unit. Examine water inlet screen. If the screen is dirty, clean with a small brush and water. If the screen is damaged, replace it.



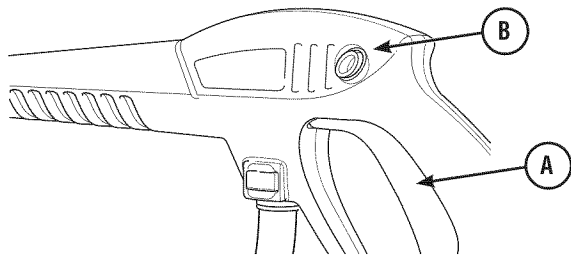
Check High Pressure Hose

The high pressure hose can develop leaks from wear, kinking, or abuse. Inspect the hose each time before using it. Check for cuts, leaks, abrasions or bulging of cover, damage or movement of couplings. If any of these conditions exist, replace the hose immediately.

- ⚠ WARNING** The high pressure stream of water that this equipment produces could cut through skin and its underlying tissues, resulting in serious injury and possible amputation.
- NEVER repair high pressure hose. Replace it.
 - Replacement hose rating MUST equal or exceed maximum pressure rating of unit.

Check Spray Gun

Examine the hose connection to the spray gun and make sure it is secure. Test the trigger (**A**) by pressing the trigger lock button (**B**) and making sure the trigger “springs back” into place when you release it. You should not be able to press the trigger without pressing the trigger lock button. Replace spray gun immediately if it fails any of these tests.



Spray Tip Maintenance

Excessive pump pressure can cause a pulsing sensation felt while squeezing the spray gun trigger. The principal cause of excessive pump pressure is a spray tip clogged or restricted with foreign materials such as dirt, etc. A clogged spray tip could lead to pump cycling ON/OFF or not turning on even when there is some flow.

To correct the problem, immediately clean the spray tip by following these instructions:

1. Press the master ON/OFF switch to the OFF (0) position. Remove power cord plug from electrical outlet.
2. Disconnect water supply at the electric pressure washer.

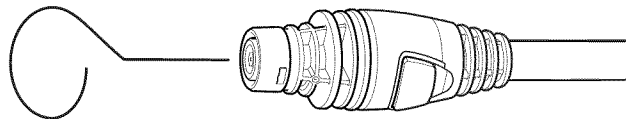
3. ALWAYS point spray gun in a safe direction, press trigger lock button and squeeze spray gun trigger to release retained high water pressure.

⚠ WARNING The high pressure stream of water that this equipment produces could cut through skin and its underlying tissues, resulting in serious injury and possible amputation.

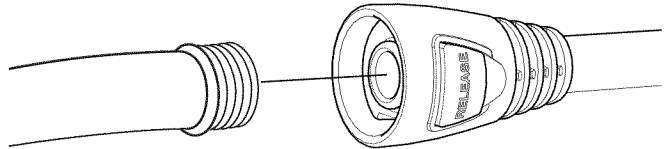
Spray gun traps high water pressure, even when motor is stopped and water is disconnected, which could result in serious injury.

- Keep high pressure hose connected to pump and spray gun while system is pressurized.
- ALWAYS point spray gun in safe direction, squeeze spray gun trigger to release high pressure, every time you turn off pressure washer.

4. Remove spray tip from end of plastic wand.
5. Use a small paper clip to free any foreign material clogging or restricting any of the spray tips.



6. Using a garden hose, remove additional debris by back flushing water through plastic wand. Back flush between 30 to 60 seconds.



7. Reinstall spray tip into plastic wand.
8. Reconnect plastic wand to spray gun.
9. Make sure garden hose is connected to water inlet. Check that high pressure hose is connected to spray gun. Turn on water.
10. Plug power cord into electrical outlet and press the master ON/OFF switch to the pressure washer ON (I) position.
11. Test the electric pressure washer by operating with each spray tip.

Pump and Motor Maintenance

The electric pressure washer does not require any maintenance to the pump or motor. Both assemblies are pre-lubricated and sealed, requiring no additional lubrication ever.

AFTER EACH USE

Water should not remain in the unit for long periods of time. Sediments or minerals can deposit on pump parts and “freeze” pump action. Follow these procedures after every use:

1. Press the master ON/OFF switch to the OFF (O) position. Remove power cord plug from electrical outlet.
2. Turn off water supply, point gun in a safe direction, press trigger lock button and squeeze trigger to relieve trapped pressure.
3. Disconnect garden hose from the water supply and the electric pressure washer.
4. Disconnect hose from spray gun and high pressure outlet on pump. Drain water from hose, gun, and wand. Use a rag to wipe off the hose.
5. Drain water from pump by tipping unit on its right side (water inlet facing down).
6. Coil power cord and store on back of unit.
7. Store unit in a clean, dry area.
8. If storing for more than 30 days see *Winter or Long Term Storage* on next page.

STORAGE

WINTER OR LONG TERM STORAGE

Water should not remain in the unit for long periods of time. Sediments or minerals can deposit on pump parts and “freeze” pump action.

Initial Storage Procedures

1. Drain detergent tank (if used) by tipping unit on its front side and pouring out all remaining solution.
2. Run the electric pressure washer with white tipped spray tip. Flush for one or two minutes.
3. Press the master ON/OFF switch to the OFF (O) position. Remove power cord plug from electrical outlet.
4. Turn off water supply. Point gun in a safe direction, press trigger lock button and squeeze trigger to relieve trapped pressure. After a few moments, release trigger on spray gun.
5. Disconnect garden hose from the water supply and the electric pressure washer. Disconnect pressure hose from the pump and the spray gun.
6. Drain water from hoses and spray gun, then use a cloth or equivalent to wipe off all exterior surfaces.
7. Ensure that inlet and outlet hoses are disconnected from the pump. Then drain water from pump by tipping unit on its right side (water inlet facing down).

NOTICE Water left in the pump could freeze and damage the pump.

Protecting the Pump

To protect the pump from damage caused by mineral deposits or freezing, use PumpSaver, Model 74403, to treat pump. This prevents freeze damage and lubricates plunger and seals.

NOTICE PumpSaver is available as an optional accessory. It is not included with the electric pressure washer. Contact the nearest authorized service center to purchase Pump Saver.

NOTICE You must protect your unit from freezing temperatures.

- Failure to do so will permanently damage your pump and render your unit inoperable.
- Freeze damage is not covered under warranty.

To use PumpSaver, make sure the electric pressure washer is turned off and inlet and outlet hoses are disconnected. Read and follow all instructions and warnings given on the PumpSaver container.

Final Storage Procedures

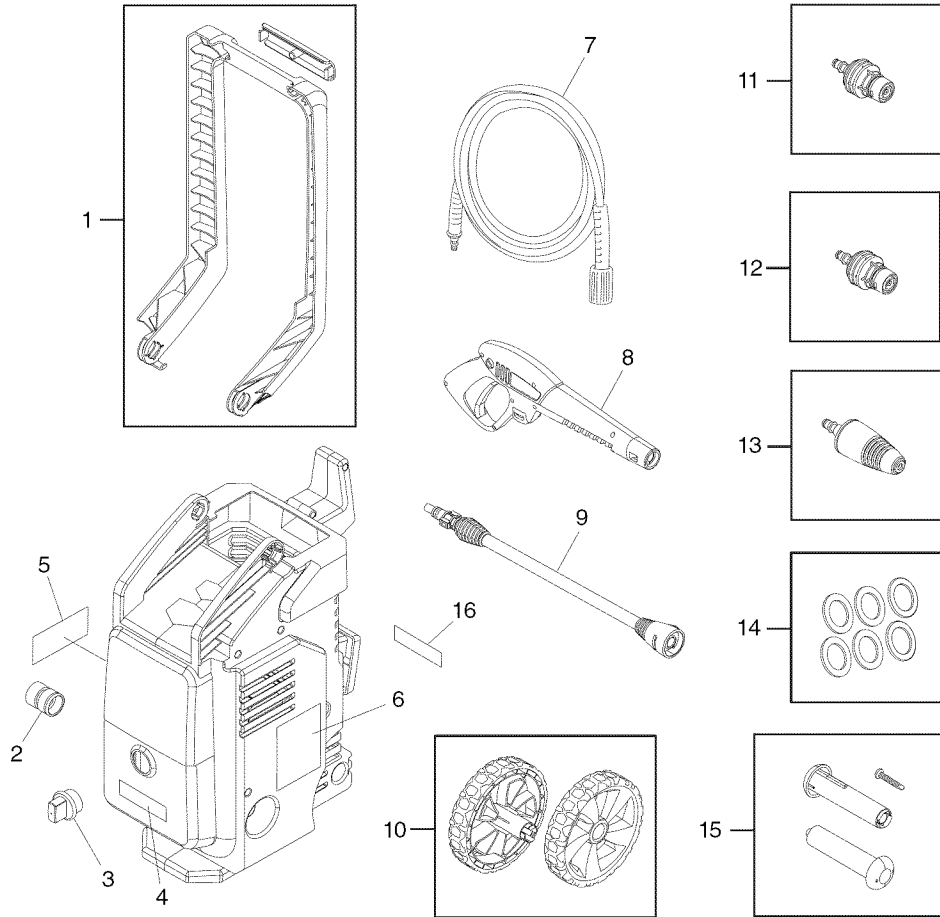
1. Coil power cord and store on back of unit.
2. Store spray gun and accessories on back of unit.
3. Store unit in a clean, dry area that is protected from freezing temperatures.
4. Cover unit with a suitable protective cover that does not retain moisture.

TROUBLESHOOTING

Problem	Cause	Correction
<p>Pump has following problems: failure to produce pressure, erratic pressure, chattering, loss of pressure, low water volume.</p>	<ol style="list-style-type: none"> 1. Water inlet is blocked. 2. Inadequate water supply. 3. Garden hose is kinked or leaking. 4. Clogged water inlet screen. 5. Water supply is over 100°F (38°C). 6. High pressure hose is blocked or leaks. 7. Spray tip is obstructed. 8. Pump is faulty. 	<ol style="list-style-type: none"> 1. Clear inlet. 2. Provide adequate water flow. 3. Straighten garden hose or replace if leaking. 4. Check and clean water inlet screen. 5. Provide cooler water supply. 6. Clear blocks in high pressure hose or replace hose. 7. Clean spray tip. 8. Contact Sears service facility.
<p>Unit fails to start when spray gun trigger is squeezed.</p>	<ol style="list-style-type: none"> 1. Water supply is not turned on. 2. Unit is not turned on. 3. Garden hose is too long. 	<ol style="list-style-type: none"> 1. Turn on water supply. 2. Press the master ON/OFF switch to the Pressure Washer ON position (I). Reset GFCI. 3. Use only 50 ft. (15.24 m) maximum garden hose.
<p>Detergent fails to mix with spray.</p>	<ol style="list-style-type: none"> 1. High pressure spray tip installed. 	<ol style="list-style-type: none"> 1. Replace with white tipped spray tip.

PARTS

CRAFTSMAN 1700 PSI Electric Pressure Washer 580.750290 Exploded View and Parts List



Item	Part #	Description
1	704354	HANDLE
2	315957GS	ADAPTER
3	704360	PLUG
4	316391GS	DECAL
5	704388	DECAL
6	704390	DECAL
7	316034GS	HOSE
8	316299GS	GUN
9	317422GS	WAND
10	704356	KIT-WHEEL
11	317423GS	NOZZLE
12	317425GS	NOZZLE-SOAP
13	317424GS	NOZZLE
14	315960GS	KIT-O RINGS
15	704358	KIT-PIN
16	704392	DECAL

Parts Not Illustrated

Part #	Description
317362GS	DECAL-WARNING, CORD
704389	DECAL-GUN, ENG

NOTES

NOTES

TABLA DE CONTENIDO

GARANTÍA	18	ESPECIFICACIONES	27
NORMAS DE SEGURIDAD	19-20	MANTENIMIENTO	27-29
CARACTERÍSTICAS Y CONTROLES	21	ALMACENAMIENTO	29
ENSAMBLAJE	22-24	RESOLUCIÓN DE PROBLEMAS	30
FUNCIONAMIENTO	24-26	NOTAS	31

GARANTÍA

GARANTÍA LIMITADO DE UN AÑO DE CRAFTSMAN

DURANTE UN AÑO a partir de la fecha de compra, este producto cuenta con una garantía contra cualquier defecto en el material o la mano de obra. Con el comprobante de la compra se sustituirá sin costo un producto defectuoso.

Para conocer los detalles de cobertura de la garantía sobre cómo solicitar la sustitución sin costo, visite la página web: www.craftsman.com/warranty

Esta garantía no cubre pistolas rociadoras, mangueras, prolongadores de boquilla, boquillas, puntas de rociado o filtros, ya que son recambios que pueden desgastarse con el uso normal dentro del período de garantía.

Esta garantía se invalida si este producto se utiliza alguna vez para prestar servicios comerciales o si se renta a otra persona.

Esta garantía le otorga determinados derechos legales y es posible que tenga otros derechos que pueden variar de un país o estado a otro.

Sears Brands Management Corporation, Hoffman Estates, IL 60179 EE. UU.

NORMAS DE SEGURIDAD

CONSERVE ESTAS INSTRUCCIONES



Lea este manual detenidamente y familiarícese con la limpiadora a presión eléctrica. Conozca sus aplicaciones, sus limitaciones y todo peligro asociado.

Información de seguridad importante

Símbolos de seguridad y significados



Manual del Operario



Descarga eléctrica



Fuego



Superficie resbaladiza



Caída



Inyección Líquida



Proyectil



Objetos propulsados



Quemadura química

⚠ El símbolo de alerta de seguridad indica un riesgo de lesiones personales. Se usan palabras de advertencia (PELIGRO, ADVERTENCIA o PRECAUCIÓN) como símbolos de alerta para designar el nivel de gravedad de los peligros. El símbolo de seguridad puede usarse para representar el tipo de peligro. La palabra **AVISO** se utiliza para hacer referencia a prácticas no relacionadas con lesiones personales.

⚠ **PELIGRO** indica un riesgo que, de no evitarse, *provocará* la muerte o lesiones de gravedad.

⚠ **ADVERTENCIA** indica un riesgo que, de no evitarse, *podría* provocar la muerte o lesiones de gravedad.

⚠ **PRECAUCIÓN** indica un riesgo que, de no evitarse, *podría* provocar lesiones leves o moderadas.

AVISO hace referencia a prácticas no relacionadas con lesiones personales.

Para conocer cómo reparar o realizar operaciones de mantenimiento en un aparato con doble aislamiento, consulte la sección de montaje.



⚠ **ADVERTENCIA** Riesgo de electrocución. El uso de un cable prolongador podría provocar electrocución y quemaduras, y tener como resultado lesiones graves o la muerte.

- NO utilice un cable prolongador con esta limpiadora a presión eléctrica. Es posible que la toma eléctrica residencial o el cable prolongador no le brinde protección con interrupción de circuito de fallo de conexión a tierra, crucial para la vida de una persona.

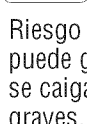


⚠ **ADVERTENCIA** Riesgo de electrocución. Poner en contacto al mismo tiempo ambos conductores de energía podría provocar una descarga eléctrica o incendio que causen muertes o lesiones graves.

- Compruebe que el cable esté en buenas condiciones antes de usar la unidad. NO la utilice si el cable está dañado.
- El producto cuenta con un interruptor del circuito de fallo a tierra (GFCI) que se encuentra en el cable del enchufe. Si es necesario reemplazar el enchufe o el cable, reemplácelos exclusivamente por piezas de repuesto idénticas.
- Mantenga todas las conexiones secas y lejos del suelo.
- NO toque el enchufe con las manos mojadas.
- NO pase el cable por entradas, ventanas, orificios en los techos, paredes o pisos.
- NO pise el cable.
- NO aplaste, arrastre o coloque objetos sobre el cable.
- NO moje el área cercana a la fuente de energía.



⚠ **ADVERTENCIA** Cuando se utiliza la limpiadora a presión, se pueden formar charcos de agua y las superficies pueden volverse resbaladizas.



Riesgo de sufrir contragolpe. La pistola pulverizadora puede generar un rebote y esto puede hacer que usted se caiga, lo cual podría provocarle la muerte o lesiones graves.

- Utilice la limpiadora a presión eléctrica desde una superficie estable.
- No la sobreexija ni la coloque en un lugar inestable. Manténgala siempre en equilibrio.
- El área de limpieza debe tener declives y drenajes apropiados para disminuir la posibilidad de una caída debido a las superficies resbaladizas.
- Tenga mucho cuidado en caso de que deba utilizar la limpiadora a presión eléctrica parado sobre una escalera, andamio o alguna ubicación similar.
- Agarre la pistola pulverizadora con ambas manos cuando utilice los distintos modos de pulverización para evitar lesiones cuando la pistola pulverizadora rebota.



⚠ **ADVERTENCIA** Riesgo de incendio. El sobrecalentamiento del cable puede ocasionar la muerte o heridas graves.

- Desenrosque el cable por completo antes de utilizarlo.
- NO cubra el cable con ningún material.



⚠ **ADVERTENCIA** Riesgo de incendio. Rociar líquidos inflamables puede ocasionar la muerte o heridas graves.

- NO rocíe líquidos inflamables.



ADVERTENCIA Riesgo de lesiones oculares o corporales. La pistola puede salpicar, empujar objetos o provocar daños internos que ocasionen una lesión grave.



- Cuando utilice o esté cerca de este dispositivo, colóquese gafas de seguridad con ventilación indirecta (salpicadura química) que cumplan con la disposición ANSI Z87.1. NUNCA reemplace las gafas de seguridad o las gafas para tareas secas por gafas de seguridad con ventilación indirecta.
- Saber cómo detener la limpiadora a presión y eliminar la presión rápidamente. Estar perfectamente familiarizado con los controles.
- NO permita a los NIÑOS utilizar la limpiadora a presión eléctrica.
- No permita la presencia de personas en el área de uso.
- Antes de cada uso, revise la manguera a alta presión. NUNCA repare la manguera a alta presión; cámbiela.
- NO repare pérdidas con ningún tipo de sellador; cambie las juntas tóricas y obturadoras.
- Mientras el sistema esté presurizado, mantenga la manguera conectada a la limpiadora y a la pistola pulverizadora.
- SIEMPRE apunte la pistola pulverizadora en una dirección segura mientras el sistema esté presurizado y apriete el gatillo de la pistola para liberar la presión alta cada vez que apague el dispositivo.
- NO apunte a personas o animales con la pistola pulverizadora.
- NO beba de los accesorios conectados a la manguera.
- NO fije la pistola pulverizadora en la posición de abierto.
- NO descuide la pistola pulverizadora mientras la limpiadora a presión se encuentra en la posición de encendido (I).
- NO utilice una pistola pulverizadora que no tenga una traba o un bloqueador de gatillo en su lugar y que funcione correctamente.
- Siempre asegúrese de que la pistola pulverizadora y los accesorios estén colocados correctamente.
- Manténgase alerta: preste atención a lo que hace.
- NO utilice el dispositivo si está cansado o bajo la influencia de alcohol o drogas.
- Cuando se usa este producto cerca de niños es necesario realizar una supervisión cercana.



ADVERTENCIA El chorro de agua de alta presión que produce esta unidad podría generar cortes en la piel y tejidos subcutáneos, lo cual provocaría lesiones graves o una posible amputación.



- La pistola pulverizadora contiene agua a alta presión incluso cuando el motor está detenido y el suministro de agua desconectado. Esto podría provocar lesiones graves.
- NUNCA apunte a personas, animales o plantas con la pistola pulverizadora.
 - SIEMPRE apunte la pistola pulverizadora en una dirección segura, apriete el gatillo de la pistola para liberar la presión alta cada vez que apague la limpiadora a presión.



ADVERTENCIA Peligro de quemaduras químicas. Los productos químicos pueden causar quemaduras que ocasionen la muerte o heridas graves.



- Cuando utilice productos químicos, colóquese gafas de seguridad con ventilación indirecta (salpicadura química) que cumplan con la disposición ANSI Z87.1.
- NO reemplace las gafas de seguridad o las gafas para tareas secas por gafas de seguridad con ventilación indirecta.
- NO utilice líquido cáustico con la limpiadora a presión eléctrica.
- SOLO utilice detergentes/jabones seguros para la limpiadora a presión. Siga todas las instrucciones del fabricante.



ADVERTENCIA Este producto contiene plomo y compuestos del plomo, que, como se ha estudiado en el estado de California, Estados Unidos, pueden provocar defectos a bebés u otros daños relacionados con la reproducción. *Lávese las manos después de manipular este producto.*

AVISO El pulverizador de alta presión puede dañar objetos frágiles, incluso cristales.

- NO dirija la pistola rociadora hacia cristales cuando utilice la punta de rociado turbo.
- NUNCA apunte a las plantas con la pistola pulverizadora.

AVISO Si maneja de manera incorrecta la limpiadora a presión eléctrica, podría dañarla y acortar su vida útil.

- Si tiene preguntas sobre el uso de la máquina, consulte a su vendedor o póngase en contacto con un centro de servicio autorizado.
- NO haga funcionar las unidades con piezas rotas o sin algunas piezas, o sin usar cubiertas de protección.
- NO omita usar ningún dispositivo de seguridad en la limpiadora a presión eléctrica.
- NO modifique la limpiadora a presión eléctrica.
- Antes de arrancar la limpiadora a presión eléctrica en climas muy fríos, revise todas las piezas del equipo para asegurarse de que no estén cubiertas de hielo.
- NO tire de las mangueras para mover la limpiadora a presión eléctrica. Mueva la unidad desde la manija de transporte provista.
- El equipo de alta presión está diseñado para ser utilizado **UNICAMENTE** con las partes autorizadas Sears. Si utiliza este equipo con partes que no cumplan con las especificaciones mínimas, el usuario asume todos los riesgos y responsabilidades.

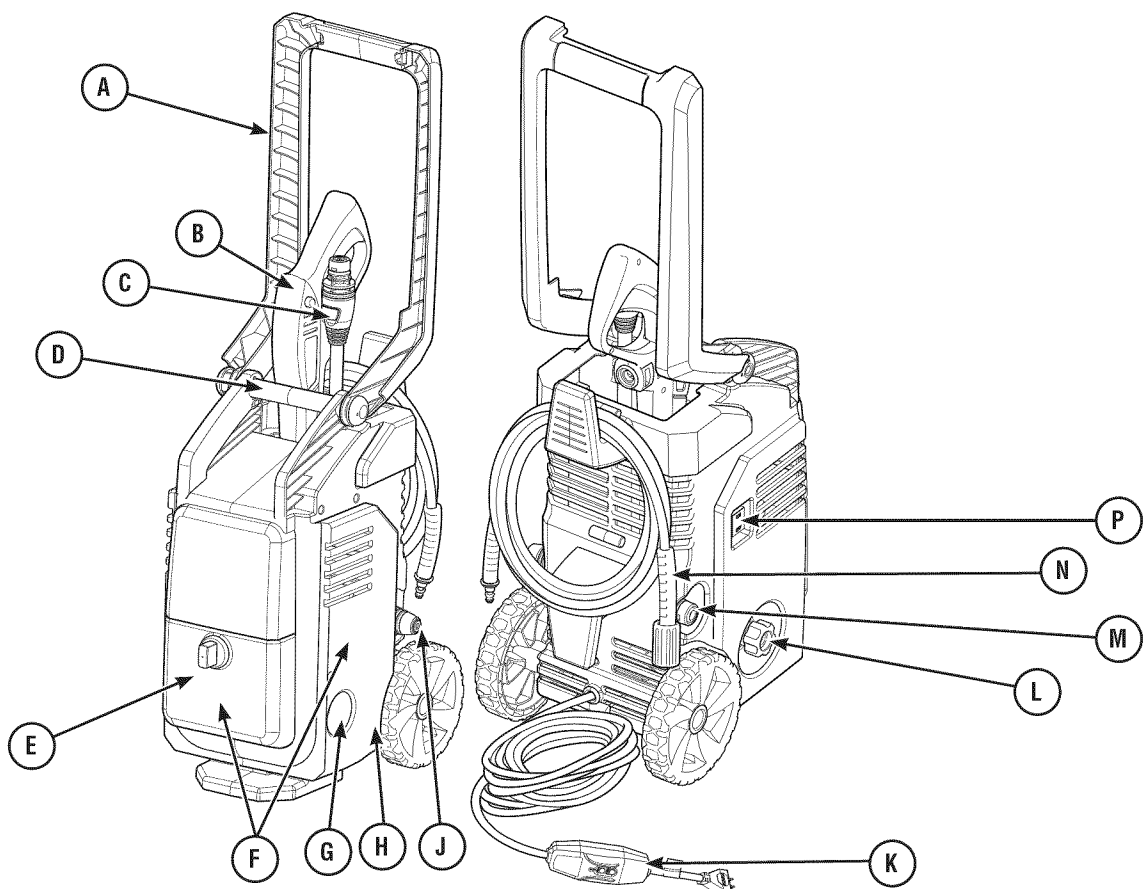
CARACTERÍSTICAS Y CONTROLES

CONOZCA SU LIMPIADORA A PRESIÓN



Lea el Manual del usuario y las normas de seguridad antes de utilizar la limpiadora a presión.

Compare los dibujos con la limpiadora a presión para familiarizarse con la ubicación de los distintos controles y ajustes. Guarde este manual para consultas futuras.



A - Manija plegable — La manija se dobla hacia abajo para ahorrar espacio cuando se almacena.

B - Pistola pulverizadora — Controla la aplicación de agua sobre la superficie por limpiar con un gatillo. Incluye traba de gatillo.

C - Varilla de plástico — Le permite cambiar entre tres puntas de rociado distintos.

D - Manija barra de bloqueo — Desliza de lado a lado; para trabar la manija en su lugar y desbloquear a doblar el mango hacia abajo.

E - Tanque de detergente — Permite almacenar hasta 0,95 litros (un cuarto) de detergente PerfectMix™ para la limpiadora a presión.

F - Etiquetas de advertencia — Identifique los peligros que deben evitarse cuando utiliza la limpiadora a presión.

G - Salida de agua a alta presión — Conexión de la manguera a alta presión.

H - Etiqueta de identificación — Proporciona el modelo y el número de serie de la limpiadora a presión. En caso de llamar y solicitar ayuda, tenga la etiqueta cerca.

J - Punta de rociado turbo — Hace girar un poderoso chorro de agua de precisión para una limpieza profunda.

K - Cable eléctrico con GFCI — La limpiadora a presión eléctrica y el operador están protegidos por un interruptor de circuito con fallos a tierra.

L - Entrada del suministro de agua — Conecte el suministro de agua utilizando una manguera para jardín de un máximo de 50 ft. (15,24 m).

M- Puntas de rociado — La punta de rociado con casquillo blanco es para aplicaciones generales con detergente. La punta de rociado con casquillo anaranjado es para diversas aplicaciones de alta presión.

N - Manguera a alta presión — Conecte un extremo a la salida de agua a alta presión y el otro a la pistola pulverizadora.

P - Interruptor principal de encendido/apagado — Presione el extremo superior del interruptor (I) para encender la limpiadora a presión. Presione la parte inferior (O) del interruptor para apagar la limpiadora.

ENSAMBLAJE

Será necesario que monte la limpiadora a presión, pero esto no le llevará mucho tiempo.

Si tiene algún problema para montar la limpiadora a presión, póngase en contacto con la línea de ayuda de limpiadoras a presión llamando al 1-800-222-3136.

DESEMBALE LA LIMPIADORA A PRESIÓN

1. Saque todos los elementos de la caja.
2. Asegúrese de tener todos los elementos que se incluyen antes de ensamblarla.

CONTENIDO DE LA CAJA

Revise todo el contenido. En caso de que falte o esté dañada alguna pieza, póngase en contacto con la línea de ayuda de la limpiadora a presión llamando al **1-800-222-3136**.

- Unidad principal
- Pistola pulverizadora
- Manguera a alta presión
- Varilla de plástico
- Puntas de rociado de conexión rápida (3)
- Bolsa de piezas (que incluye lo siguiente):
 - Juego de juntas tóricas
 - Manual del operario
 - Tarjeta de registro del propietario

Conozca cada pieza antes de montar la limpiadora a presión. Identifique todo el contenido de la caja con la imagen de la página 19. En caso de que falte o esté dañada alguna pieza, póngase en contacto con la línea de ayuda de la limpiadora a presión llamando al **1-800-222-3136**.

MONTAJE DE LA LIMPIADORA A PRESIÓN

Antes de utilizarla, tendrá que montar la limpiadora a presión Craftsman:

1. Llene y envíe la tarjeta de registro.
2. Lubrique las juntas tóricas.
3. Conecte la manguera de presión a la pistola rociadora y a la bomba.
4. Conecte el suministro de agua a la bomba.
5. Fije la varilla de plástico a la pistola rociadora.
6. Adapte la punta de rociado de conexión rápida a la varilla de plástico.

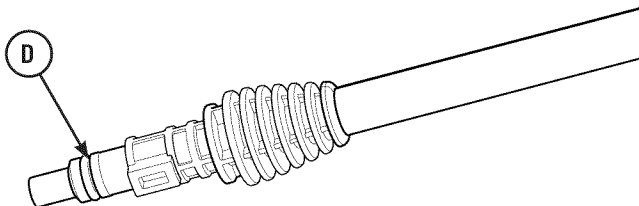
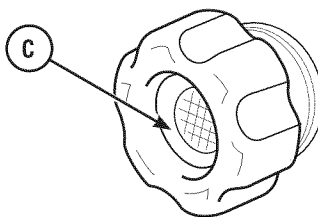
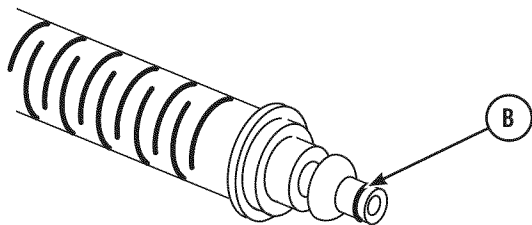
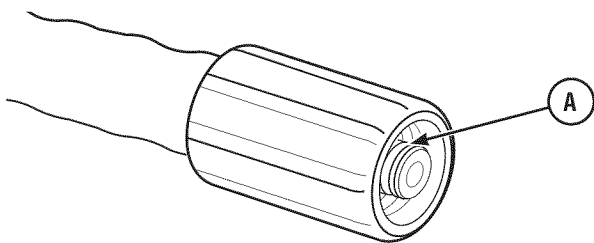
Lubrique las juntas tóricas

La lubricación de las juntas tóricas es extremadamente importante para la instalación y el funcionamiento. El uso de un lubricante (grasa lubricante o sintética) durante el montaje ayuda a que las juntas tóricas se asienten correctamente y ofrece un mejor sellado. También ayuda a evitar que la junta tórica resulte dañada por abrasión, pellizcado o cortes, y aumenta la vida útil de la junta tórica.

AVISO Aplique SIEMPRE una pequeña cantidad de lubricante a las juntas tóricas antes de montar la manguera de alta presión (extremo de la bomba) **(A)**, manguera de alta presión (extremo de la pistola) **(B)**, manguera de riego a la bomba **(C)** y varilla de plástico (extremo de la pistola) **(D)**.

Lubrique todas las conexiones mostradas debajo. Para ello, siga estas instrucciones:

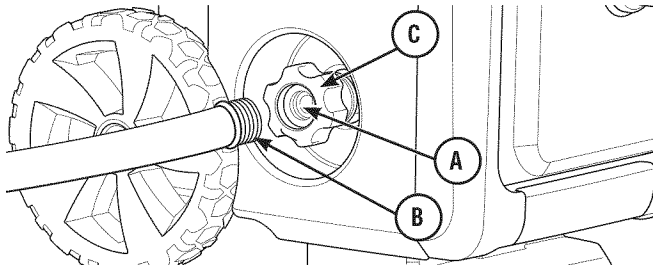
1. Revise y limpie las superficies de conexión antes de lubricar y armar.
2. Sea moderado en el uso de lubricantes durante el armado. Solo necesita una pequeña lubricación.
3. Use un cepillo pequeño o un bastoncillo de algodón para aplicar la grasa directamente a las juntas tóricas en los lugares donde no son accesibles (adaptador QC, adaptador M22).



Conecte las mangueras y el suministro de agua

AVISO SOLO use agua fría (menos de 100 °F/38 °C).

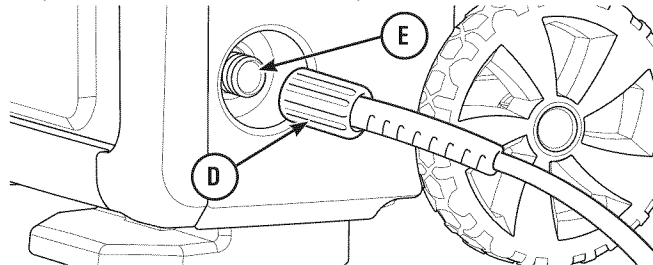
1. Conecte una manguera para jardín (máximo: 50 ft/15,24 m) al suministro de agua.
2. Deje correr agua por la manguera para jardín durante 30 segundos para limpiar la suciedad. Desconecte el agua.
3. Verifique que la pantalla de entrada de agua (A) esté instalada en la entrada de agua ubicada del lado izquierdo vista desde la parte delantera de la unidad. NO la retire a menos que vaya a limpiarla.



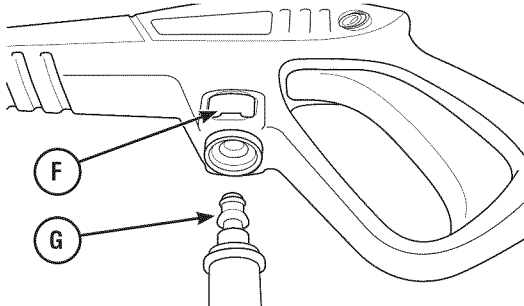
AVISO Si falta la pantalla de entrada o está dañada, NO use la limpiadora a presión eléctrica. Llame al **1-800-222-3136** para obtener ayuda.

AVISO NO use la bomba sin el suministro de agua conectado y funcionando.

- Si no se siguen estas instrucciones y se daña el equipo, quedará anulada la garantía.
4. Coloque el manguera para jardín (B) en el acoplamiento de entrada de agua (C). Apriete a mano.
 5. Conecte la manguera a alta presión (D) en la salida de agua de la unidad (E) ubicada del lado derecho vista desde la parte delantera de la unidad. Apriete a mano.

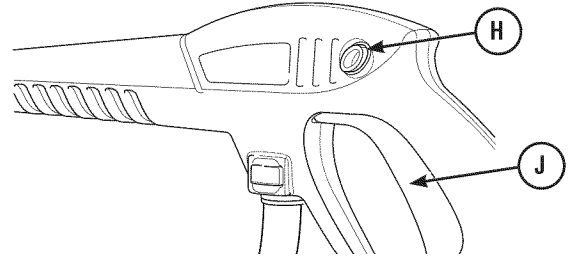


6. Coloque el extremo opuesto de la manguera a alta presión en la pistola pulverizadora. Presione el botón rojo (F) de la pistola pulverizadora. Luego, coloque el extremo de la manguera a alta presión (G) en la manguera hasta que quede colocada correctamente. Suelte el botón rojo y compruebe que la conexión esté segura.

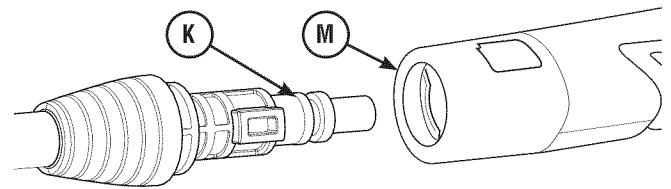


Conecte la varilla y punta de rociado

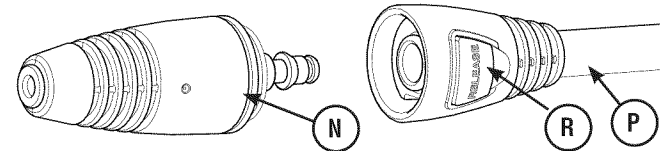
1. Encienda el agua, apunte la pistola hacia una dirección segura, libere el gatillo (H), luego apriételo (J) para purgar el sistema y la pistola pulverizadora de aire e impurezas.



2. Inserte y doble la varilla de plástico (K) en la pistola pulverizadora (M). Después de que la varilla haya entrado en la pistola, empujela hacia adentro un poco más y gírela 1/4 hacia la derecha hasta colocarla en su lugar.



3. Apague el agua y suelte el gatillo. Apunte la pistola hacia una dirección segura y compruebe que no se pueda apretar el gatillo.
4. Inserte la punta de rociado (N) dentro de la varilla de plástico (P). Una vez que haya deslizado la punta de rociado dentro de la pistola, aplique más presión hacia adentro hasta que se ENCAJE en su posición.



AVISO Para quitar la punta de rociado, oprima el botón de liberación (R) en la varilla y jálala para sacarla de la varilla.

Lista de verificación previa al arranque del motor de la bomba

Revise el montaje de la unidad para asegurarse de que haya realizado todas las siguientes acciones.

1. Asegúrese de leer *Seguridad del usuario y Funcionamiento* antes de usar la limpiadora a presión eléctrica.
2. Compruebe que las conexiones de manguera estén correctamente apretadas.
3. Asegúrese de que las mangueras no tengan nudos, cortes ni daños.
4. Coloque un suministro de agua adecuado con el flujo correcto (que no exceda los 38°C).
5. Enchufe el cable de energía en un circuito eléctrico de 120 VCA a 15 A que esté correctamente instalado de acuerdo con las normas y disposiciones locales.

Servicio a un aparato con doble aislamiento

En un producto con doble aislamiento, se proporcionan dos sistemas de aislamiento en lugar de la conexión a tierra. El producto con doble aislamiento no cuenta con ningún medio de conexión a tierra, ni se le debe añadir uno. El servicio a un producto con doble aislamiento requiere extrema atención y conocimiento del sistema, y sólo debe hacerlo el personal de servicio calificado. Los repuestos de un producto con doble aislamiento deben ser idénticos a las piezas que se reemplazan. Un producto con doble aislamiento está marcado con las palabras "DOUBLE INSULATION" (DOBLE AISLAMIENTO) o "DOUBLE INSULATED" (DOBLEMENTE AISLADO).

El símbolo  significa APARATO CON DOBLE AISLAMIENTO.

Circuitos protegidos con interruptores a tierra

Esta arandela de presión se proporciona con un circuito protegido con interruptores a tierra (GFCI) integrado en el enchufe del cable de alimentación. Este dispositivo aporta una mayor protección frente al riesgo de descarga eléctrica. En el caso de que sea necesario sustituir el enchufe o el cable, utilice piezas de repuestos exactamente idénticas que dispongan de protección GFCI.

FUNCIONAMIENTO

COMO USAR LA LIMPIADORA A PRESIÓN

Si tiene algún problema para usar la limpiadora a presión, póngase en contacto con la línea de ayuda de limpiadoras a presión llamando al **1-800-222-3136**.

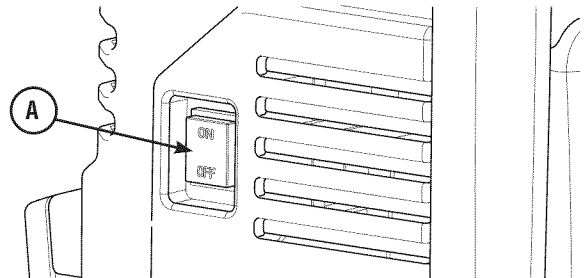
Cómo arrancar la limpiadora a presión eléctrica

⚠ ADVERTENCIA Riesgo de lesión ocular. El pulverizador podría salpicar o empujar objetos y esto podría causar lesiones graves. Cuando utilice o esté cerca de este dispositivo, colóquese gafas de seguridad con ventilación indirecta (salpicadura química) que cumplan con la disposición ANSI Z87.1. Jamás reemplace las gafas de seguridad o las gafas para tareas secas por gafas de seguridad con ventilación indirecta.

1. Coloque la limpiadora a presión eléctrica cerca de una fuente externa de agua que pueda suministrar agua a un flujo superior a 3 galones por minuto (11,4 L), no inferior a 20 psi (1,38 bares) en el extremo de la limpiadora a presión eléctrica de la manguera para jardín. NO trasvase el suministro de agua.
2. Conecte la manguera para jardín a la entrada de agua.
3. Verifique que la manguera a alta presión esté firmemente conectada a la pistola pulverizadora. Consulte *Conecte las mangueras y el suministro de agua* para ver los gráficos.

AVISO NO use la bomba sin el suministro de agua conectado y funcionando.

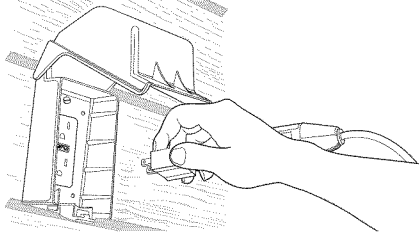
- Si no se siguen estas instrucciones y se daña el equipo, quedará anulada la garantía.
4. ENCIENDA el agua, apunte la pistola hacia una dirección segura, presione el botón de bloqueo del gatillo y apriete el gatillo para purgar de aire el sistema de la bomba.
 5. Quite la suciedad o elementos ajenos en las boquillas. Instale la varilla y punta de rociado en la pistola pulverizadora. Consulte *Conecte las mangueras y el suministro de agua* y *Cómo usar las puntas de rociado* para obtener más detalles.
 6. Presione el interruptor principal de encendido/apagado (A) y llévelo a la posición de apagado (0).



⚠ ADVERTENCIA Riesgo de electrocución. El uso de un cable prolongador podría provocar electrocución y quemaduras, y tener como resultado lesiones graves o la muerte.

- NO utilice un cable prolongador con esta limpiadora a presión eléctrica. Es posible que la toma eléctrica residencial o el cable prolongador no le brinde protección con interrupción de circuito de fallo de conexión a tierra, crucial para la vida de una persona.

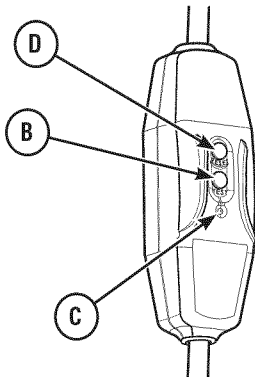
7. Enchufe el cable de energía en un circuito eléctrico de 120 VCA a 15 A que esté correctamente instalado de acuerdo con las normas y disposiciones locales. Debería encenderse la luz del indicador en el GFCI.



AVISO La luz del indicador debe estar visible para que la limpiadora a presión eléctrica pueda funcionar.

⚠ ADVERTENCIA Riesgo de electrocución. Si no se utiliza un interruptor con circuito de fallo de conexión a tierra (GFCI), se podría resultar lesiones graves o la muerte. Si el luz del indicador no se mantiene encendido después de la prueba y el rearme, no utilice al GFCI.

8. Presione el botón TEST (prueba) (B). Se debería apagar la luz del indicador (C).



9. Presione el botón RESET (reiniciar) (D). Se debería encender la luz del indicador (C).

AVISO NO use la limpiadora a presión eléctrica si falla la prueba mencionada anteriormente.

10. Coloque el interruptor principal de encendido/apagado en la posición de encendido (I).
11. Apunte la pistola hacia una dirección segura, presione el botón de bloqueo del gatillo y apriete el gatillo. El motor de la limpiadora a presión eléctrica arrancará y se detendrá mientras se presiona y se suelta el gatillo de la pistola pulverizadora.

Ahora la limpiadora a presión eléctrica está lista para ser usada. Más adelante, en esta sección, encontrará las instrucciones de uso de los accesorios provistos.

Cómo detener la limpiadora a presión eléctrica

El motor de la limpiadora a presión eléctrica solo funciona cuando está presionado el gatillo. Para detener la limpiadora a presión eléctrica y apagar el motor:

1. Suelte el gatillo de la pistola pulverizadora.
2. Presione el interruptor principal de encendido/apagado y llévelo a la posición de apagado (O).

AVISO Al soltar el gatillo, se apagará el motor, pero no se cortará el suministro de energía a la unidad.

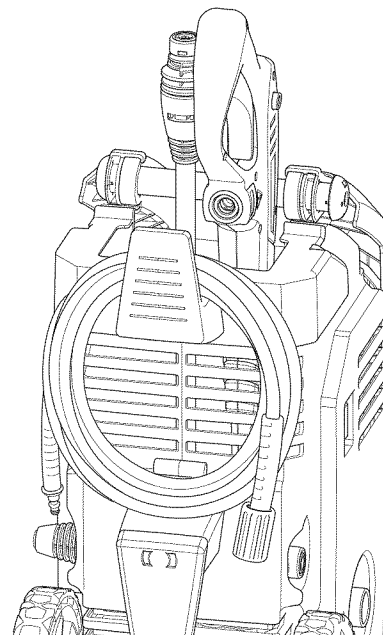
3. Desconecte el suministro de agua.
4. SIEMPRE apunte la pistola pulverizadora hacia una dirección segura y presione su gatillo para liberar la presión acumulada en la unidad.

⚠ ADVERTENCIA El chorro de agua de alta presión que produce esta unidad podría generar cortes en la piel y tejidos subcutáneos, lo cual provocaría lesiones graves o una posible amputación.

La pistola pulverizadora contiene agua a alta presión incluso cuando el motor está detenido y el suministro de agua desconectado. Esto podría provocar lesiones graves.

- Mientras el sistema esté presurizado, mantenga la manguera de alta presión conectada a la bomba y a la pistola pulverizadora.
- SIEMPRE apunte la pistola pulverizadora en una dirección segura, apriete el gatillo de la pistola para liberar la presión alta cada vez que apague la limpiadora a presión.

5. Desconecte el enchufe del GFCI de la salida y enrolle el cable de alimentación.
6. Enrolle y almacene la manguera de alta presión, la pistola rociadora y los accesorios en la unidad.



Cómo usar las puntas de rociado


Ya debería estar familiarizado con cómo arrancar y cómo detener la limpiadora a presión eléctrica. Si no es así, antes de continuar, consulte la sección anterior para familiarizarse con cómo arrancar y cómo detener el sistema.



La limpiadora a presión se suministra con tres puntas de rociado. La punta de rociado turbo hace girar un poderoso chorro de agua de precisión para una limpieza profunda. La punta de rociado con casquillo blanco es para aplicaciones generales con detergente y la punta de rociado con casquillo anaranjado es para diversas aplicaciones de alta presión.

Consejos de uso

- Para realizar una limpieza muy efectiva, mantenga la punta de rociado de 8 a 24 in (de 20 a 60 cm) alejada de la superficie de limpieza.
- Si acerca demasiado la punta de rociado, especialmente en el uso a alta presión, podría llegar a dañar la superficie que está limpiando.
- Al limpiar neumáticos, no se acerque a más de 6 in (15 cm).

Cómo aplicar detergente

 **ADVERTENCIA** Peligro de quemaduras químicas. Los productos químicos pueden causar quemaduras que ocasionen la muerte o heridas graves.

- Cuando utilice productos químicos, colóquese gafas de seguridad con ventilación indirecta (salpicadura química) que cumplan con la disposición ANSI Z87.1.
- NO reemplace las gafas de seguridad o las gafas para tareas secas por gafas de seguridad con ventilación indirecta.
- NO utilice líquido cáustico con la limpiadora a presión eléctrica.
- SOLO utilice detergentes/jabones seguros para la limpiadora a presión. Siga todas las instrucciones del fabricante.

Para aplicar detergente, siga estos pasos:

1. Revise el uso de las puntas de rociado que se muestra en *Cómo usar la punta de rociado*.
2. Inclíne la unidad hacia atrás y retire el tapón del depósito para detergente.
3. Llène el tanque con una solución concentrada de PerfectMix™.

AVISO USE SOLAMENTE solución concentrada PerfectMix™ con su limpiador a presión. Si utiliza cualquier otra solución no concentrada, ésta no le proporcionará los resultados esperados.

AVISO No llene por arriba de la boca de llenado del depósito o el detergente se filtrará por el tapón cuando regrese la unidad a su posición vertical.

4. Vuelva a colocar el tapón del depósito de detergente y regrese la unidad a su posición vertical.

5. Instale la punta de rociado con casquillo blanco.

AVISO El detergente no se puede aplicar con la punta de rociado turbo o anaranjada.


6. Asegúrese de que la manguera para jardín esté conectada a la entrada de agua. Verifique que la manguera a alta presión esté conectada a la pistola pulverizadora y a la bomba. Encienda el agua.


AVISO Debe conectar todas las mangueras antes de arrancar la limpiadora a presión eléctrica.

7. Arranque la limpiadora a presión eléctrica según las indicaciones de *Cómo arrancar la limpiadora a presión eléctrica*.
8. Aplique detergente a una superficie seca. Comience en una parte inferior de la zona que limpiará y vaya subiendo de forma amplia y pareja.
9. Deje que el detergente entre en "remojo" de 3 a 5 min antes de lavar y enjuagar. Vuelva a aplicar, según sea necesario, para evitar que la superficie se seque. Para evitar que queden vetas, NO DEJE que el detergente se seque en la superficie.

Enjuagar la limpiadora a presión eléctrica

1. Quite la punta de rociado con casquillo blanco de la varilla.
2. Instale la punta de rociado con casquillo anaranjado.
3. Mantenga la pistola pulverizadora a una distancia segura de la zona que va a limpiar.

 **ADVERTENCIA** Riesgo de rebote. La pistola pulverizadora puede generar un rebote y esto puede hacer que usted se caiga, lo cual podría provocar la muerte o lesiones graves.



- Utilice la limpiadora a presión eléctrica desde una superficie estable.
- Tenga mucho cuidado en caso de que deba utilizar la limpiadora a presión eléctrica parado sobre una escalera, andamio o alguna ubicación similar.
- Agarre la pistola pulverizadora con ambas manos cuando utilice los distintos modos de pulverización para evitar lesiones cuando la pistola pulverizadora rebota.

4. Rocíe a alta presión en una zona pequeña y luego compruebe que no haya daños en la superficie. Si no encontró daños, puede continuar con el enjuague.
5. Comience en la parte superior de la zona por enjuagar y baje con movimientos amplios y parejos, al igual que cuando limpió.

Otros consejos de limpieza

- NUNCA descuide la limpiadora a presión eléctrica mientras está enchufada a una salida eléctrica y mientras se está suministrando agua al equipo.
- Si la punta de rociado está muy lejos de la superficie que está lavando, la limpieza puede no ser tan efectiva.

ESPECIFICACIONES

ESPECIFICACIONES DEL PRODUCTO

Especificaciones de la limpiadora a presión

Presión de salida	1700 PSI (117,2 BARES)*
Velocidad de flujo	1,3 GPM (4,9 LPM)*
Mezcla de detergente	Ver las instrucciones de MFR
Temperatura del suministro de agua	No debe superar los 100 °F (38 °C)
Motor	De tipo universal (cepillo)
Rango de voltaje	120 VCA
Corriente	12,5 A

* Esta limpiadora a presión está clasificada conforme a la norma PW101-2010 (comprobación y clasificación de rendimiento de limpiadoras a presión) de la Asociación de fabricantes de bombas a presión (Pressure Washer Manufacturers Association, PWMA).

MANTENIMIENTO

RESPONSABILIDADES DEL PROPIETARIO

Recomendaciones Generales

Un mantenimiento regular mejorará el funcionamiento y extenderá la vida útil de la limpiadora a presión.

La garantía de la limpiadora a presión no cubre artículos que hayan sido sometidos a abusos o negligencia por parte del operador. Para poder gozar de la garantía en su totalidad, el operador debe mantener la limpiadora a presión según las indicaciones en el manual y guardarla en un lugar adecuado, tal como se indica en el capítulo *Almacenamiento*.

Antes de cada utilización

1. Limpie los desechos.
2. Verifique que la pantalla de entrada de agua no tenga suciedad y no esté dañada.
3. Verifique que la manguera a alta presión no tenga pérdidas.
4. Verifique el funcionamiento de la pistola pulverizadora.

MANTENIMIENTO DE LA LIMPIADORA A PRESIÓN

Limpieza de desechos

A diario, o antes de usarla, limpie los desechos acumulados en la limpiadora a presión eléctrica. Revise las ranuras y las entradas de aire de refrigeración adelante, atrás y abajo de la limpiadora a presión eléctrica. Estas aberturas deben estar limpias y sin obstrucciones.

Las piezas de la limpiadora a presión eléctrica deben mantenerse limpias para reducir el riesgo de sobrecalentamiento e incendio de desechos acumulados.

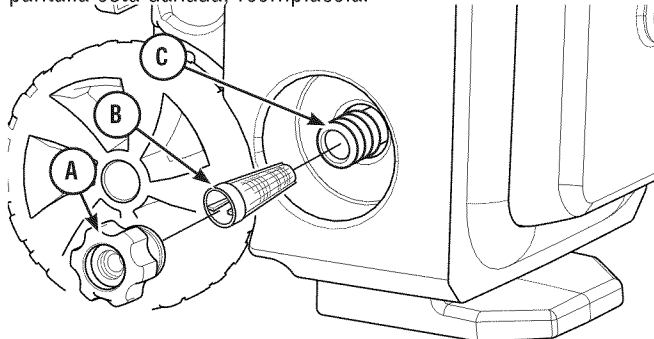
- Use un trapo húmedo para limpiar las superficies exteriores.

AVISO Si maneja inadecuadamente la limpiadora a presión eléctrica, podría dañarla y acortar su vida útil.

- NO inserte ningún objeto por las ranuras de enfriamiento.

Verificación y limpieza de la pantalla de entrada de agua

Quite el acoplamiento de la entrada de agua (A). Luego, retire la pantalla de entrada de agua (B) de la entrada de agua de la unidad (C) con alicates de punta aguja. La entrada de agua está ubicada del lado izquierdo vista desde la parte delantera de la unidad. Revise la pantalla de entrada de agua. Si está sucia, límpiela con un cepillo pequeño y con agua. Si la pantalla está dañada, reemplácela.



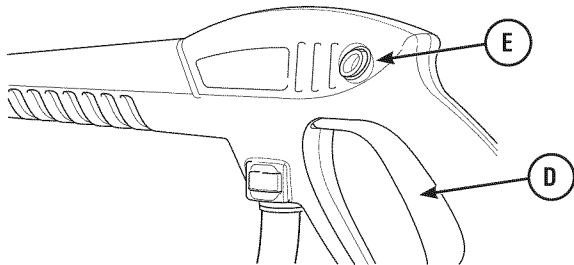
Revisión de la manguera a alta presión

La manguera a alta presión puede tener pérdidas a causa del desgaste, los nudos y el mal uso. Siempre revise la manguera antes de usarla. Compruebe que no haya cortes, fugas, abrasiones o bultos en la cubierta, y daños o movimientos de acopladores. Si ocurre algo de lo mencionado anteriormente, reemplace la manguera inmediatamente.

- ⚠ ADVERTENCIA** El chorro de agua de alta presión que produce esta unidad podría generar cortes en la piel y tejidos subcutáneos, lo cual provocaría lesiones graves o una posible amputación.
- NUNCA repare la manguera a alta presión. Cámbiela.
 - La potencia de la manguera reemplazada DEBE ser igual o superior a la presión máxima de la unidad.

Revisión de la pistola pulverizadora

Revise la conexión de la manguera a la pistola pulverizadora y asegúrese de que esté firme. Pruebe el gatillo (D). Para ello, presione el botón de bloqueo del gatillo (E) y asegúrese de que el gatillo vuelva a su posición, como si fuera un resorte, al soltarlo. No debería poder presionar el gatillo sin presionar antes el botón de bloqueo del gatillo. Si estas pruebas fallan, cambie inmediatamente la pistola pulverizadora.



Mantenimiento de la punta de rociado

Una presión excesiva en la bomba puede provocar una sensación de pulsación al apretar el gatillo de la pistola pulverizadora. El principal motivo de que haya presión excesiva en la bomba es que la punta de rociado esté tapada o limitada por materiales externos como la tierra. Una punta de rociado tapada podría hacer que la bomba se encienda y se apague, o que no se encienda, incluso cuando haya algo de flujo.

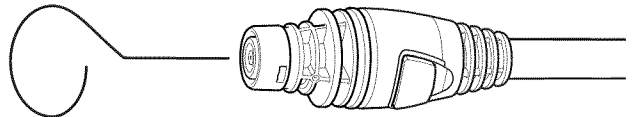
Para corregir el problema, use estas instrucciones para limpiar inmediatamente la punta de rociado:

1. Presione el interruptor principal de encendido/apagado y llévelo a la posición de apagado (0). Quite el enchufe del cable de alimentación de la salida eléctrica.
2. Desconecte el suministro de agua de la limpiadora a presión eléctrica.

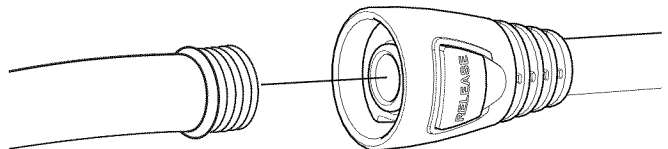
3. SIEMPRE apunte la pistola pulverizadora hacia una dirección segura. Presione el botón de bloqueo del gatillo y apriete el gatillo de la pistola pulverizadora para liberar el agua a alta presión retenida.

- ⚠ ADVERTENCIA** El chorro de agua de alta presión que produce esta unidad podría generar cortes en la piel y tejidos subcutáneos, lo cual provocaría lesiones graves o una posible amputación. La pistola pulverizadora contiene agua a alta presión incluso cuando el motor está detenido y el suministro de agua desconectado. Esto podría provocar lesiones graves.
- Mientras el sistema esté presurizado, mantenga la manguera de alta presión conectada a la bomba y a la pistola pulverizadora.
 - SIEMPRE apunte la pistola pulverizadora en una dirección segura, apriete el gatillo de la pistola para liberar la presión alta cada vez que apague la limpiadora a presión.

4. Remueva la punta de rocío del extremo de la varilla de plástico.
5. Utilice un pequeño clip para papel para eliminar el material extraño que obstruya alguna de las puntas de rociado.



6. Usando una manguera de jardín, remueva cualquier desecho adicional, poniendo agua en la varilla de plástico. Haga ésto de 30 a 60 segundos.



7. Instale de punta de rocío en la varilla de plástico.
8. Conecte de varilla de plástico a la pistola rociadora.
9. Asegúrese de que la manguera para jardín esté conectada a la entrada de agua. Verifique que la manguera a alta presión esté conectada a la pistola pulverizadora y a la bomba. Encienda el agua.
10. Enchufe el cable de alimentación en una salida eléctrica, presione el interruptor principal de encendido/apagado y llévelo a la posición de encendido (I).
11. Haga funcionar la limpiadora a presión eléctrica con la varilla para probarla.

Mantenimiento de la bomba y del motor

La bomba y el motor de la limpiadora a presión eléctrica no requieren mantenimiento. Ambos conjuntos están prelubricados y sellados, y no es necesario volver a lubricarlos.

DESPUÉS DE CADA USO

El agua no debería permanecer durante mucho tiempo en la unidad. Los sedimentos o los minerales pueden depositarse en las piezas de la bomba y "congelar" su funcionamiento. Después de cada uso, siga estos procedimientos:

1. Presione el interruptor principal de encendido/apagado y llévelo a la posición de apagado (0). Quite el enchufe del cable de alimentación de la salida eléctrica.
2. Corte el agua, apunte la pistola hacia una dirección segura, presione el botón de bloqueo del gatillo y apriete el gatillo para liberar la presión atrapada.
3. Desconecte la manguera para jardín del suministro de agua y de la limpiadora a presión eléctrica.
4. Desconecte la manguera de la pistola pulverizadora y de la salida de alta presión de la bomba. Drene el agua de la manguera, de la pistola y de la varilla. Utilice un trapo para limpiar la manguera.
5. Drene el agua de la bomba inclinando la unidad hacia la derecha (con la entrada de agua hacia abajo).
6. Enrolle el cable de alimentación eléctrica y almacénelo en la parte posterior de la unidad.
7. Guarde la unidad en una zona limpia y seca.
8. En caso de mantenerla guardada durante más de treinta días, lea la sección *Almacenamiento en invierno o durante largos períodos*, en la página siguiente.

ALMACENAMIENTO

ALMACENAMIENTO EN INVIERNO O DURANTE LARGOS PERÍODOS

El agua no debería permanecer durante mucho tiempo en la unidad. Los sedimentos o los minerales pueden depositarse en las piezas de la bomba y "congelar" su funcionamiento.

Procedimientos iniciales de almacenamiento

1. Drene el depósito de detergente (si lo usó) inclinando la unidad hacia el frente y dejando salir toda la solución restante.
2. Haga funcionar la limpiadora a presión eléctrica con la punta de rociado con casquillo blanco. Realice la limpieza uno o dos minutos.
3. Presione el interruptor principal de encendido/apagado y llévelo a la posición de apagado (0). Quite el enchufe del cable de alimentación de la salida eléctrica.
4. Desconecte el suministro de agua. Apunte la pistola hacia una dirección segura, presione el botón de bloqueo del gatillo y apriete el gatillo para liberar la presión atrapada. Espere un momento y suelte el gatillo de la pistola pulverizadora.
5. Desconecte la manguera para jardín del suministro de agua y de la limpiadora a presión eléctrica. Desconecte la manguera a presión de la bomba y de la pistola pulverizadora.

6. Drene el agua de las mangueras y la pistola pulverizadora; luego utilice un trapo o algo similar para limpiar las superficies externas.
7. Asegúrese de que las mangueras de entrada y salida estén desconectadas de la bomba. Drene el agua de la bomba inclinando la unidad hacia la derecha (con la entrada de agua hacia abajo).

AVISO Si quedara agua en la bomba, esta podría congelarse y dañar la bomba.

Protección de la bomba

Para proteger la bomba de daños provocados por depósitos de minerales o congelamiento, utilice la PumpSaver, modelo 74403, para tratar la bomba. Esto evita daños por congelamiento y lubrica el pistón y los cierres.

AVISO La PumpSaver está disponible como un accesorio opcional. No viene incluida con la limpiadora a presión eléctrica. Para comprar la PumpSaver, póngase en contacto con el centro de mantenimiento autorizado más cercano.

AVISO Debe proteger la unidad de temperaturas extremadamente bajas.

- Si no lo hace, le causará un daño permanente a la bomba y la unidad quedará inservible.
- La garantía no cubre daños por congelamiento.

Para utilizar la PumpSaver, asegúrese de que la limpiadora a presión eléctrica esté apagada y que las mangueras de entrada y salida estén desconectadas. Lea y siga todas las instrucciones y advertencias que aparecen en la caja de la PumpSaver.

Procedimientos para el almacenamiento final

1. Enrolle el cable de alimentación eléctrica y almacénelo en la parte posterior de la unidad.
2. Almacene la pistola rociadora y los accesorios en la parte posterior de la unidad.
3. Guarde la unidad en un área limpia y seca que esté protegida contra las bajas temperaturas.
4. Cubra la unidad con una manta protectora apropiada que no retenga la humedad.

RESOLUCIÓN DE PROBLEMAS

Problema	Causa	Solución
<p>La bomba tiene los siguientes problemas: no genera presión, presión errática, vibración, pérdida de presión, bajo volumen de agua.</p>	<ol style="list-style-type: none"> 1. La entrada de agua está bloqueada. 2. Suministro de agua inadecuado. 3. La manguera para jardín está enroscada o tiene pérdidas. 4. Revise la pantalla de entrada de agua. 5. El suministro de agua supera los 100 °F (38 °C). 6. La manguera a alta presión está obstruida o pierde. 7. La punta de rocío está tapada. 8. Falla la bomba. 	<ol style="list-style-type: none"> 1. Libere la entrada. 2. Proporcione un flujo de agua adecuado. 3. Estire la manguera para jardín o reemplácela si pierde. 4. Revise y limpie la pantalla de entrada de agua. 5. Proporcione un suministro de agua más fresca. 6. Libere las obstrucciones en la manguera a alta presión o reemplace la manguera. 7. Limpie la punta de rocío. 8. Póngase en contacto con el centro de servicio técnico de Sears.
<p>La unidad no se enciende cuando se aprieta el gatillo de la pistola pulverizadora.</p>	<ol style="list-style-type: none"> 1. El suministro de agua no está encendido. 2. La unidad no está encendida. 3. La manguera para jardín es demasiado larga. 	<ol style="list-style-type: none"> 1. Encienda el suministro de agua. 2. Coloque el interruptor principal de encendido/apagado de la limpiadora a presión en la posición de encendido (I). Reinicie el GFCI. 3. Utilice una manguera para jardín de 50 ft (15,24 m) como máximo.
<p>El detergente no se mezcla con el pulverizador.</p>	<ol style="list-style-type: none"> 1. Punta de rocío para alta presión instalado. 	<ol style="list-style-type: none"> 1. Reemplace con la punta de rociado con casquillo blanco.

NOTAS

CRAFTSMAN®

Product questions or problems?

1-888-331-4569

Customer Care Hot Line

**Get answers to questions, troubleshoot problems,
order parts, or schedule repair service.**

Para respuestas a preguntas o problemas, y ordenar
piezas o pedir servicio para la reparación de su equipo.

To help us help you, register your product at www.craftsman.com/registration

Para poderte ayudar mejor, registra tu producto en www.craftsman.com/registration

Join the Craftsman Club today!

CRAFTSMAN® CLUB

www.craftsman.com/signup

**Receive exclusive member benefits including special pricing and offers,
project sharing, expert advice, and SHOP YOUR WAY REWARDS!**

Como miembro exclusivo, recibe diversos beneficios como ofertas, precios especiales, proyectos nuevos, consejos de expertos y nuestro programa de puntos SHOP YOUR WAY REWARDS!