

Spare parts list

(1.187-117.0) HD 3101 DR

Table of contents

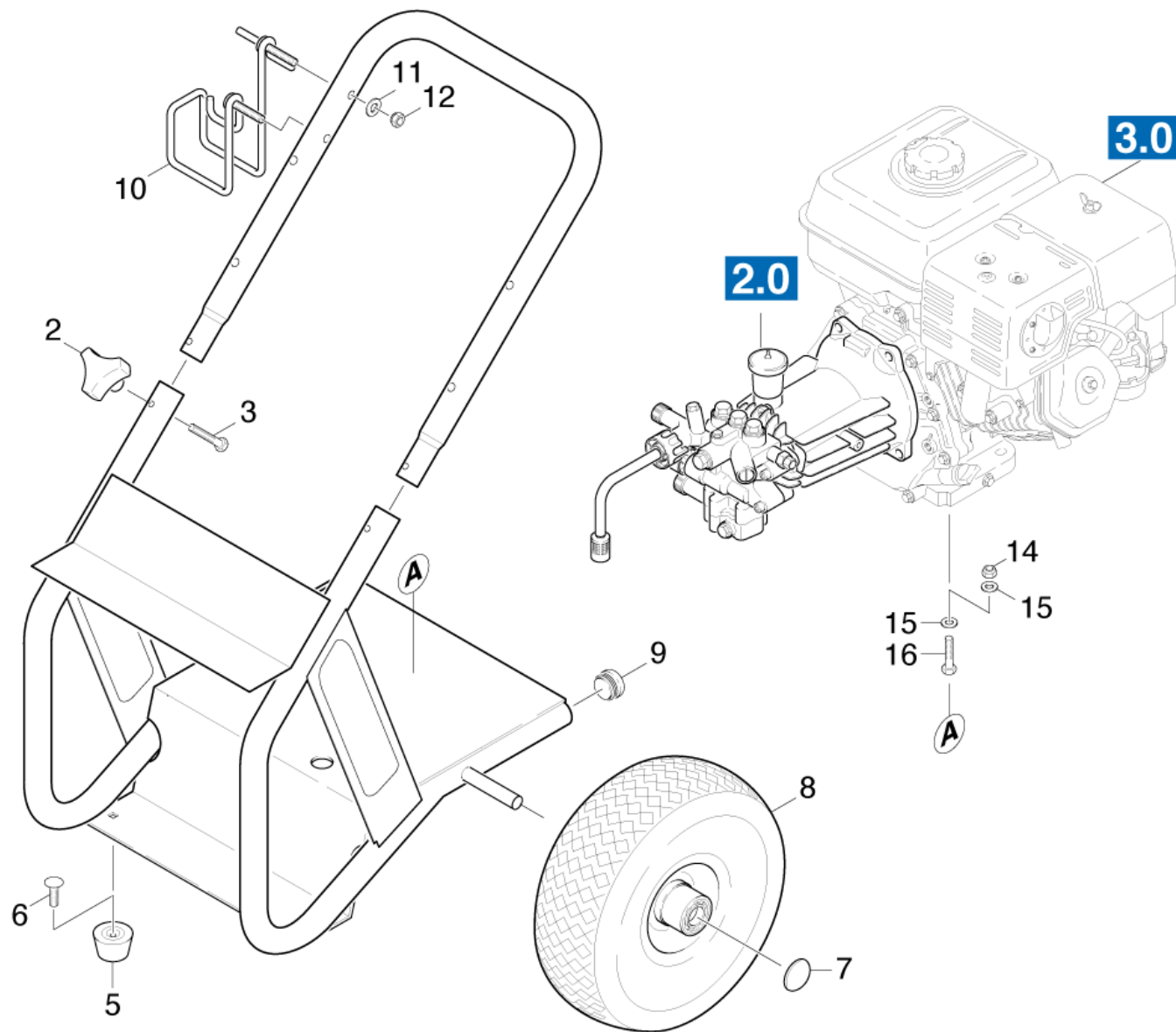
HD 3101 DR (1.187-117.0)	3
160 Spare parts list HD 3101 * (5.970-062.0)	4
10 Individual parts	5
20 Pump set	7
21 Chemistry	8
4 Screw connector part (4.401-079.0)	11
1 Spindle complete (4.291-014.0)	13
14 Valve pin complete (4.584-022.0)	15
32 Spare part set chemistry (2.883-862.0)	17
100 SPARE PARTS KIT fuer Pumpensatz (2.884-216.0)	19
10 Drain plug only for replacement (4.132-007.0)	20
20 Valve complete (4.580-331.0)	22
22 Cylinder head	23
10 Valve (3 Stück) (2.884-916.0)	25
13 Drain plug only for replacement (4.132-007.0)	27
23 Piston	29
30 Motor	31
31 Motor	32
32 Transmission	34
40 Accessories	36

HD 3101 DR (1.187-117.0)

POS	Article no.	Description	Quantity	Unit
160	5.970-062.0	Spare parts list HD 3101 *	1.000	ST
Item text2: 11871170				

160 Spare parts list HD 3101 * (5.970-062.0)

POS	Description	Quantity	Unit
10	Individual parts	1.000	ST
20	Pump set	1.000	ST
30	Motor	1.000	ST
40	Accessories	1.000	ST

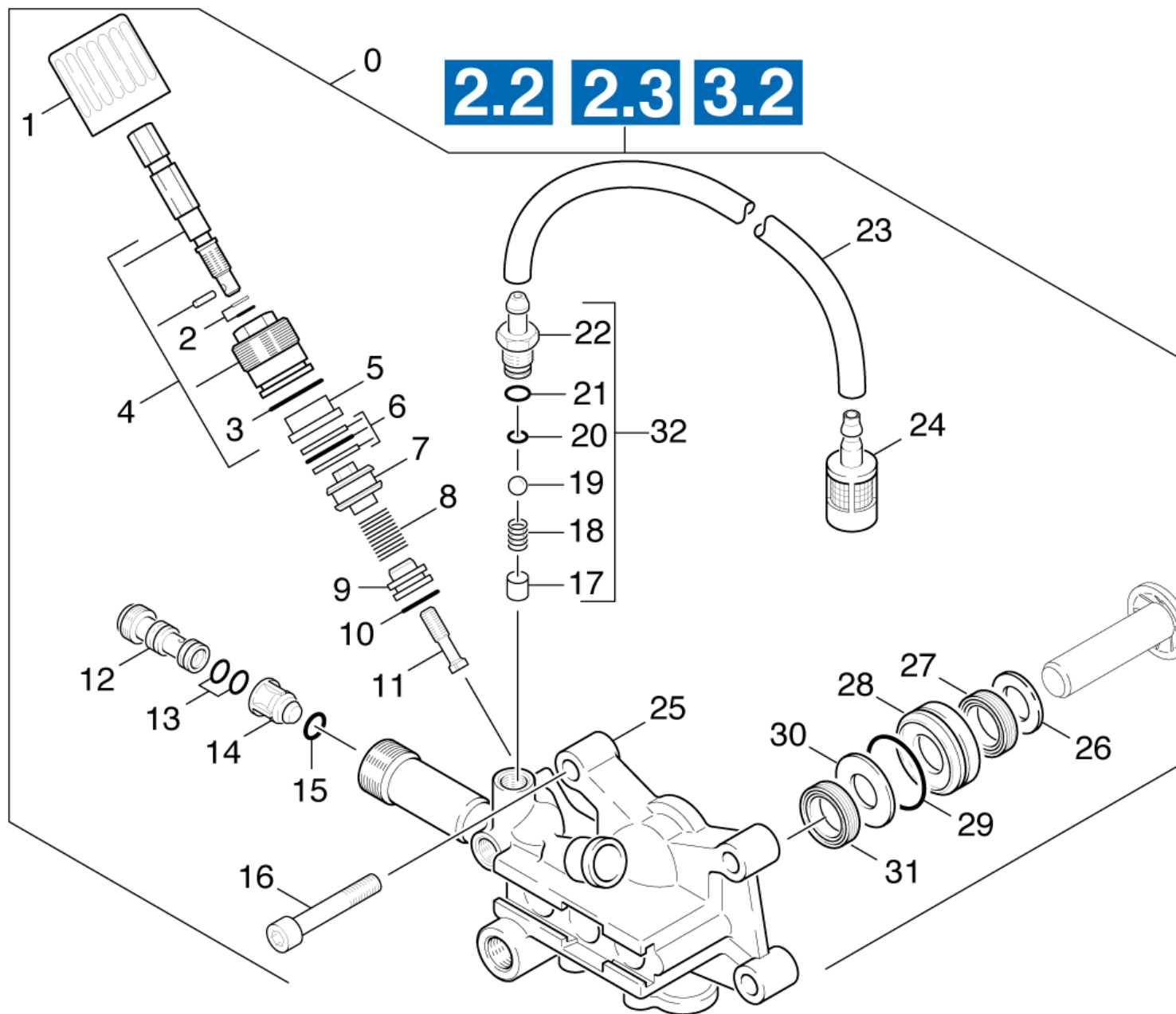


10 Individual parts

POS	Article no.	Description	Quantity	Unit
2	9.182-353.0	KNOB 1/4"-20,3PT. STAR	2.000	ST
3	9.196-307.0	1/4-20 x 1-1/2 GR 2 HEX BOLT ZINC	2.000	ST
5	9.183-405.0	RUBBER DAMPENER 5/16"-18FEMALE 2001	2.000	ST
6	9.196-308.0	5/16-18 X 1/2 CARRIAGE BOLT A307 BLK	2.000	ST
7	9.182-506.0	CAP BLACK PLASTIC,5/8"FASTENER	2.000	ST
8	9.189-007.0	WHEEL 10" X 3.50" PNEU	2.000	ST
9	9.183-001.0	BLACK,PLUG PLASTIC	2.000	ST
10	9.142-009.0	HANGER WELD ASSY 45DEG RIGHT (SOLO)	1.000	ST
11	9.198-003.0	5/16 INTERNAL L/W .332 ID X .620 OD ZINC	2.000	ST
12	5.310-105.0	5/16"-18 FINISHED HEX NUT ZINC	2.000	ST
14	7.777-999.0	Stockpiling discontinued	10.000	ST
15	7.777-999.0	Stockpiling discontinued	8.000	ST
16	7.777-999.0	Stockpiling discontinued	4.000	ST

20 Pump set

POS	Description	Quantity	Unit
21	Chemistry	1.000	ST
22	Cylinder head	1.000	ST
23	Piston	1.000	ST

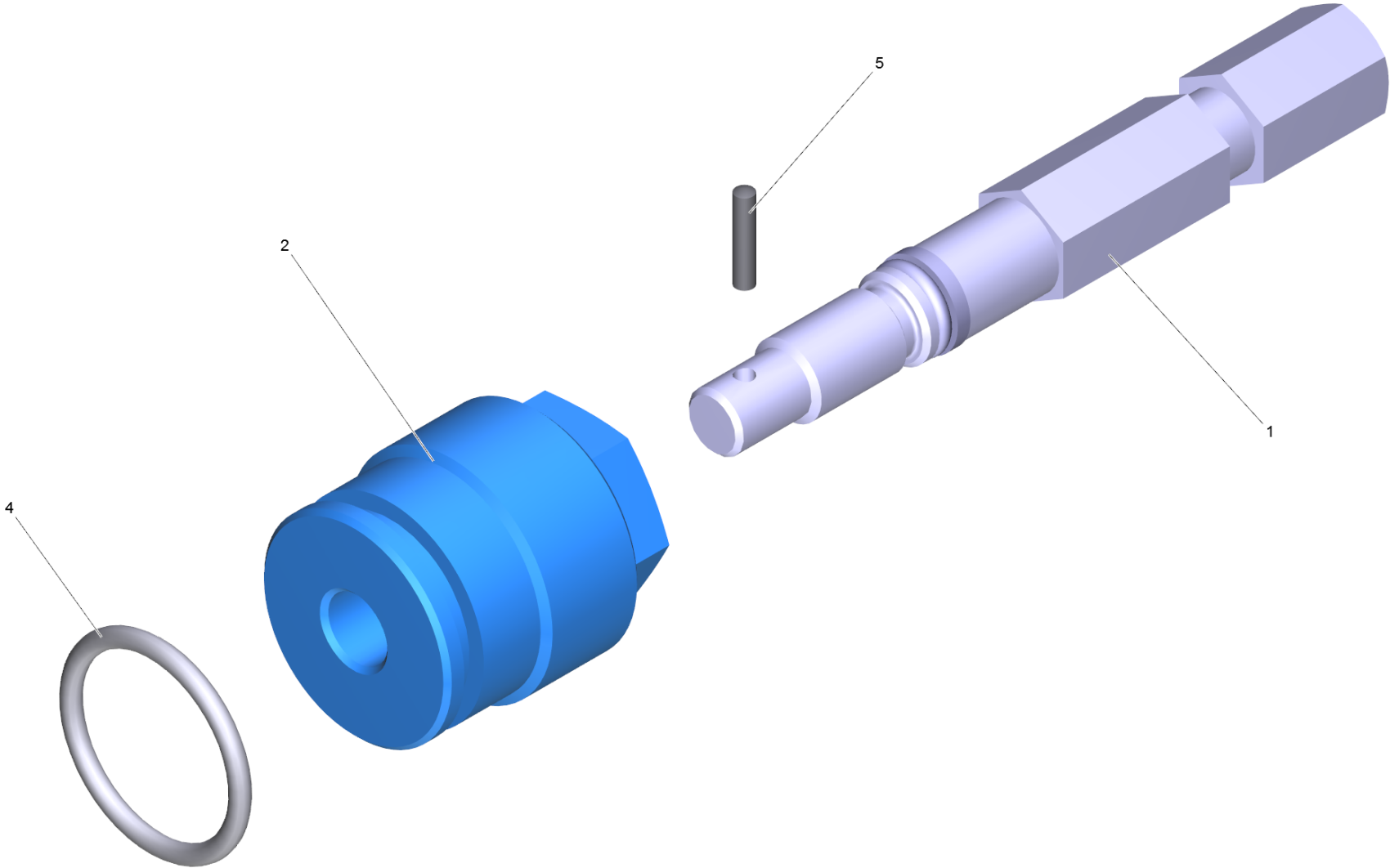


21 Chemistry

POS	Article no.	Description	Quantity	Unit	Foot note text
0	3.532-761.0	Pump set HD 690 B II	1.000	ST	
1	5.321-307.0	Handhold	1.000	ST	
2	6.362-468.0	O-Ring seal complete 1ST.-R.	1.000	ST	
3	6.362-989.0	O-Ring seal 18x2 - NBR 80	1.000	ST	
4	4.401-079.0	Screw connector part	1.000	ST	
5	5.110-630.0	Sleeve	1.000	ST	
6	6.362-454.0	O-Ring seal complete 2ST.-R.	1.000	ST	
7	5.553-363.0	Piston excess-current	1.000	ST	
8	5.332-425.0	Helical spring	1.000	ST	
9	5.581-242.0	Valve seat	1.000	ST	
10	6.362-169.0	O-Ring seal 12,0 X 2,0	1.000	ST	
11	5.305-274.0	Shaped screw	1.000	ST	
12	4.769-040.0	Nozzle insert	1.000	ST	
13	6.362-384.0	O-Ring seal 9x1,5 - NBR 70	2.000	ST	
14	4.584-022.0	Valve pin complete	1.000	ST	
15	6.363-613.0	O-Ring seal 4 x 2 -NBR90	1.000	ST	
16	7.306-047.0	Cylinder head screw M8x60 -8.8-A2E ISO4	4.000	ST	
17	5.110-714.0	Sleeve	1.000	ST	
18	5.332-258.0	Helical spring	1.000	ST	
19	7.401-908.0	Sphere 7 G300 -1.4301 DIN 5401	1.000	ST	
20	6.363-597.0	O-Ring seal 5,28 x 1,78	1.000	ST	
21	6.362-451.0	O-Ring seal 8,0 x 1,0	1.000	ST	
22	5.443-448.0	Nipple chemistry	1.000	ST	
23	6.388-216.0	Hose DN 5	1.000	M	TO ORDER AS CUT GOODS
24	4.862-032.0	Filter chemistry regulation	1.000	ST	
25	5.550-265.0	Cylinder head	1.000	ST	
26	5.115-744.0	Washer	3.000	ST	
27	6.365-438.0	Compact seal	3.000	ST	
28	5.112-576.3	Bush	3.000	ST	
29	6.362-376.0	O-Ring seal 24,0 X 1,5	3.000	ST	
30	5.115-859.0	Washer	3.000	ST	
31	6.365-432.0	Grooved ring 14x22x5.3	3.000	ST	
32	2.883-862.0	Spare part set chemistry	1.000	ST	

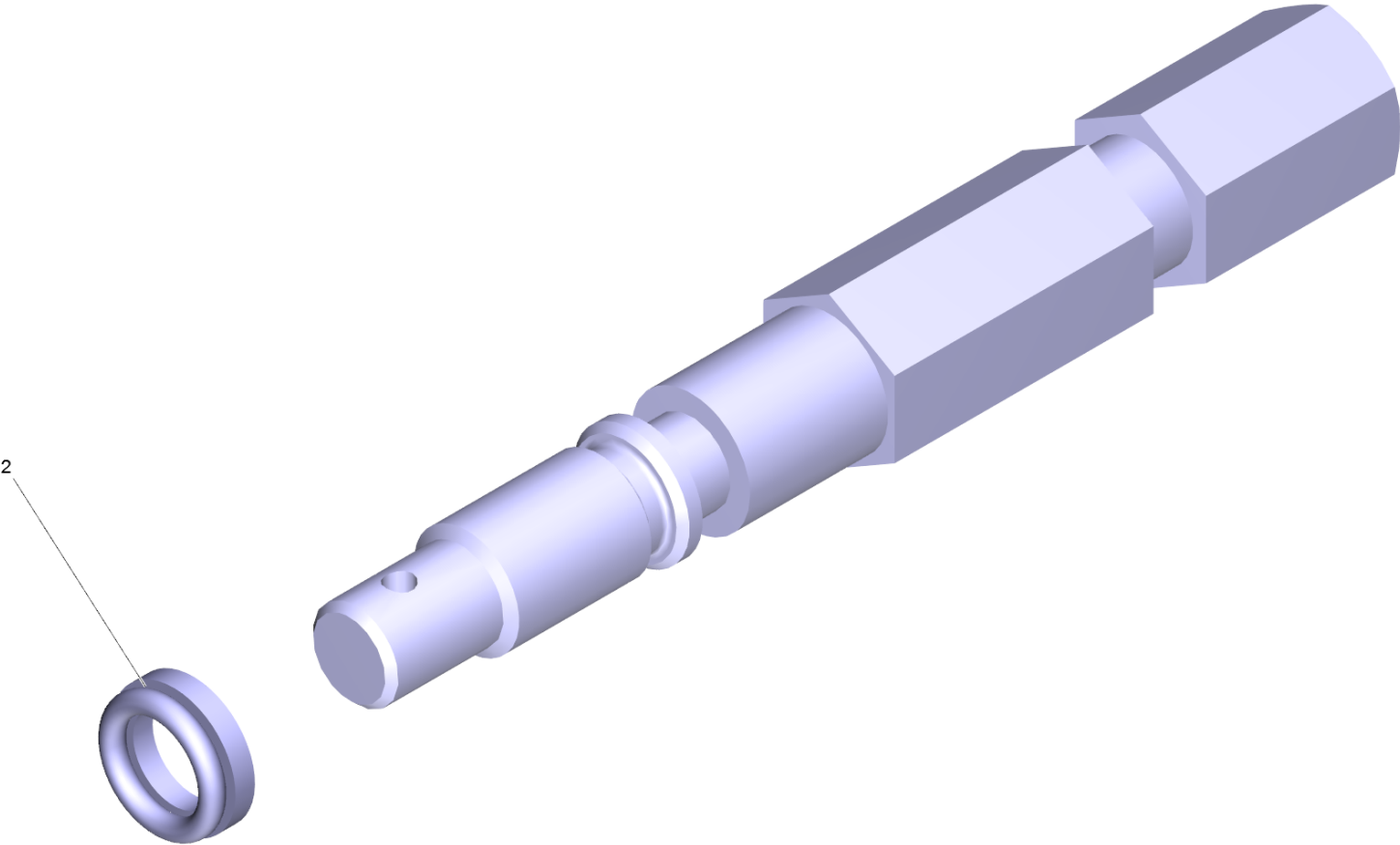
21 Chemistry

POS	Article no.	Description	Quantity	Unit	Foot note text
100	2.884-216.0	SPARE PARTS KIT fuer Pumpensatz	1.000	ST	



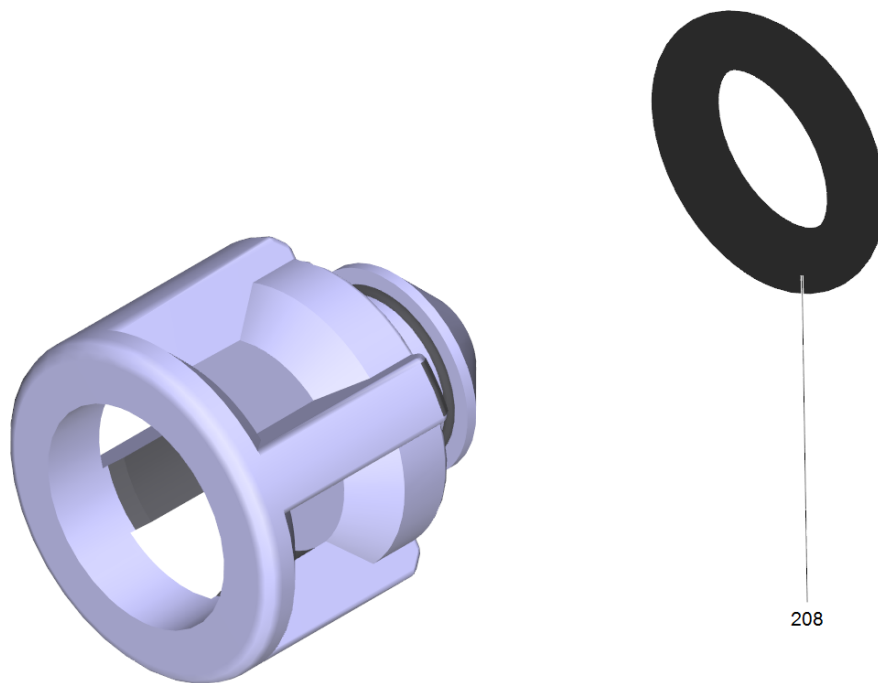
4 Screw connector part (4.401-079.0)

POS	Article no.	Description	Quantity	Unit
1	4.291-014.0	Spindle complete	1.000	ST
2	5.583-147.0	Valve screw	1.000	ST
4	6.362-989.0	O-Ring seal 18x2 - NBR 80	1.000	ST
5	7.314-629.0	Grooved pin 2x10 -A1 ISO 8742	1.000	ST
6	6.288-044.0	Silicon grease 100 G	1.000	ST



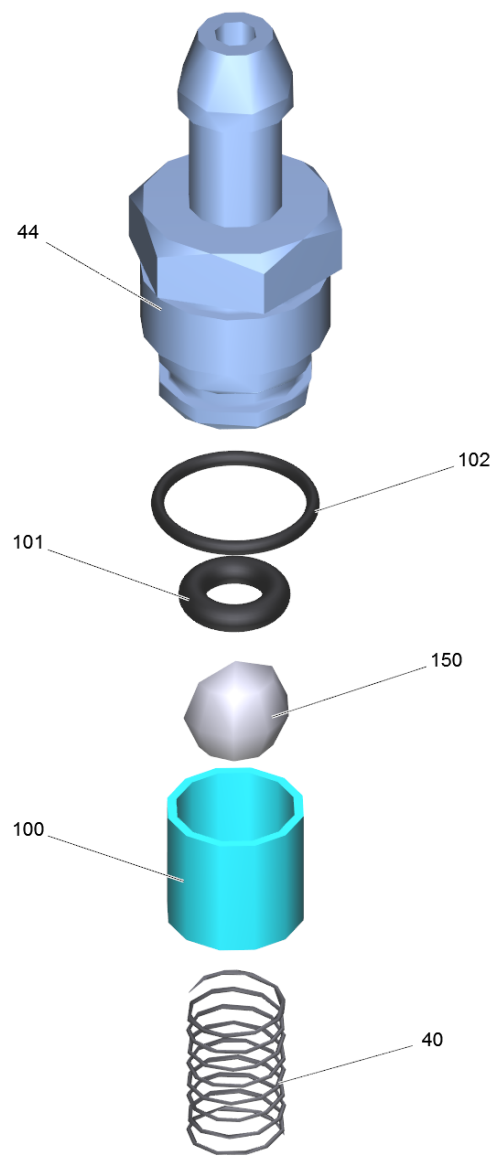
1 Spindle complete (4.291-014.0)

POS	Article no.	Description	Quantity	Unit
2	6.362-468.0	O-Ring seal complete 1ST.-R.	1.000	ST



14 Valve pin complete (4.584-022.0)

POS	Article no.	Description	Quantity	Unit
208	6.363-613.0	O-Ring seal 4 x 2 -NBR90	1.000	ST

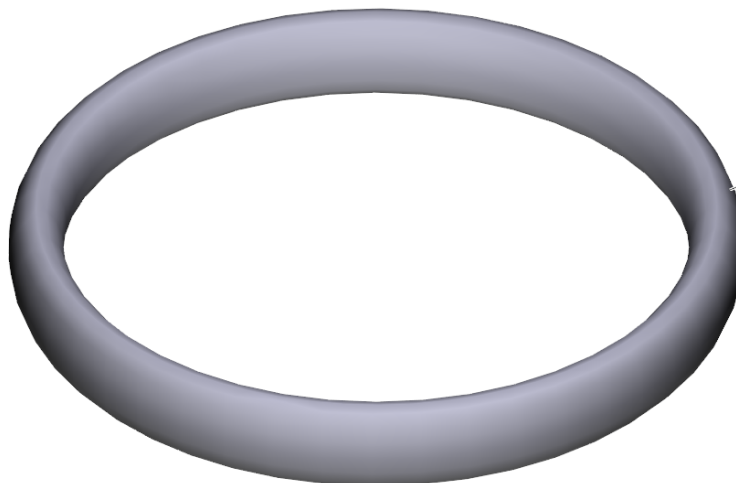
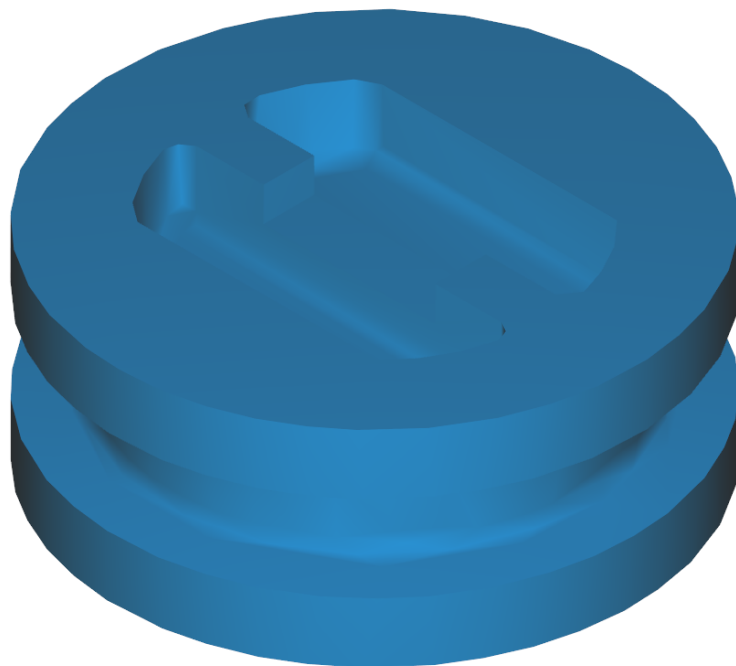


32 Spare part set chemistry (2.883-862.0)

POS	Article no.	Description	Quantity	Unit
40	5.332-258.0	Helical spring	1.000	ST
44	5.443-448.0	Nipple chemistry	1.000	ST
100	5.110-714.0	Sleeve	1.000	ST
101	6.363-597.0	O-Ring seal 5,28 x 1,78	1.000	ST
102	6.362-451.0	O-Ring seal 8,0 x 1,0	1.000	ST
110	6.376-036.0	Label spare parts neutrally 65x55 MM	1.000	ZST
130	6.590-355.0	Bag PE 130x140 mm neutral	1.000	ST
150	7.401-908.0	Sphere 7 G300 -1.4301 DIN 5401	1.000	ST

100 SPARE PARTS KIT fuer Pumpensatz (2.884-216.0)

POS	Article no.	Description	Quantity	Unit
10	4.132-007.0	Drain plug only for replacement	4.000	ST
20	4.580-331.0	Valve complete	6.000	ST
30	5.115-744.0	Washer	3.000	ST
40	5.115-859.0	Washer	3.000	ST
50	6.362-101.0	O-Ring seal 8 X 2	2.000	ST
60	6.362-169.0	O-Ring seal 12,0 X 2,0	2.000	ST
70	6.362-376.0	O-Ring seal 24,0 X 1,5	3.000	ST
80	6.362-384.0	O-Ring seal 9x1,5 - NBR 70	2.000	ST
90	6.362-432.0	O-Ring seal 75,0 X 3,0	3.000	ST
100	6.362-454.0	O-Ring seal complete 2ST.-R.	1.000	ST
110	6.362-458.0	O-Ring seal 11,0x2,0-NBR 70	1.000	ST
120	6.362-472.0	O-Ring seal 6,0 X 1,0-NBR 70	1.000	ST
130	6.362-498.0	O-Ring seal 6,75x1,78 NBR 70	1.000	ST
140	6.362-533.0	O-Ring seal 14,0 X 1,5-NBR 70	3.000	ST
150	6.363-613.0	O-Ring seal 4 x 2 -NBR90	1.000	ST
160	6.362-853.0	O-Ring seal 4,47x1,78	1.000	ST
170	6.363-067.0	O-Ring seal 92X2 NBR 70	1.000	ST
180	6.365-340.0	Grooved ring 14X22X5/7	3.000	ST
190	6.365-434.0	Grooved ring 14x20x4	3.000	ST



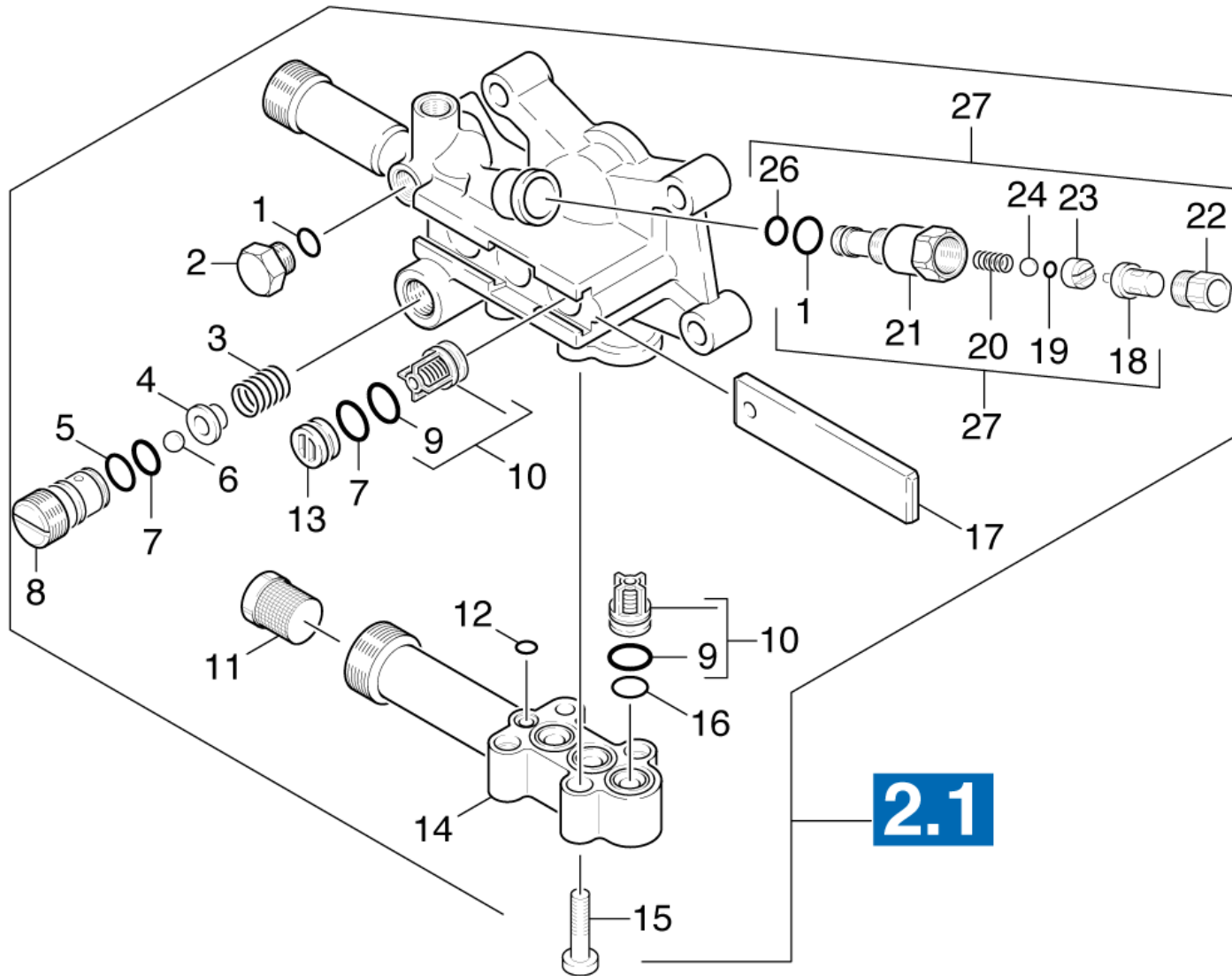
18

10 Drain plug only for replacement (4.132-007.0)

POS	Article no.	Description	Quantity	Unit
18	6.362-458.0	O-Ring seal 11,0x2,0-NBR 70	1.000	ST

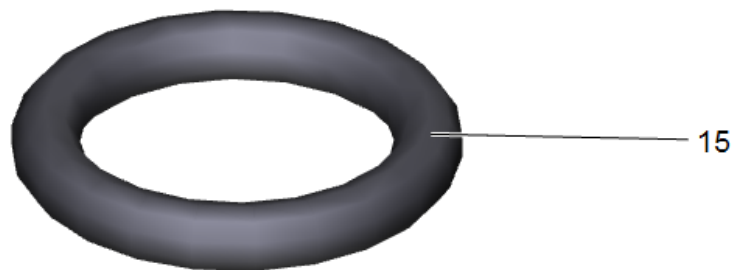
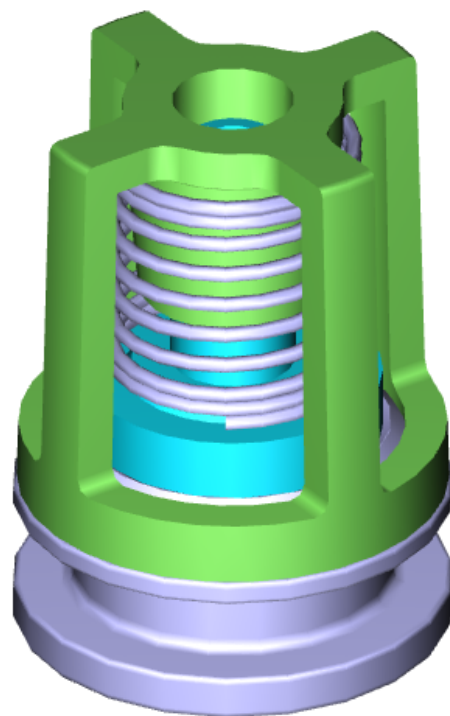
20 Valve complete (4.580-331.0)

POS	Article no.	Description	Quantity	Unit
15	6.362-077.0	O-Ring seal 10 x 2,2 NBR 70	1.000	ST
Item text2: 45803310				



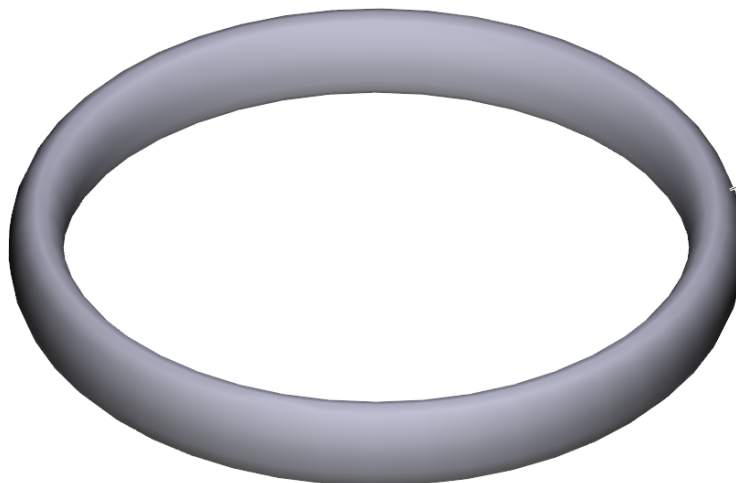
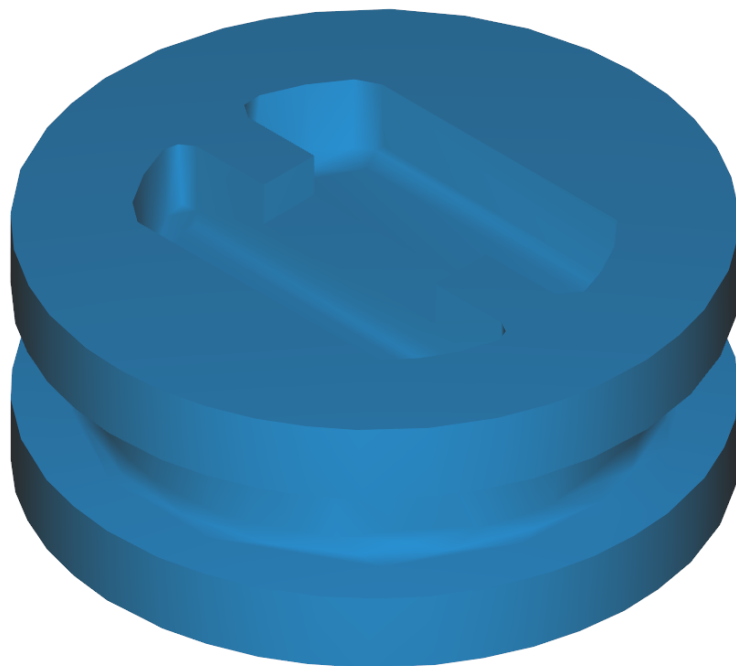
22 Cylinder head

POS	Article no.	Description	Quantity	Unit
1	6.362-101.0	O-Ring seal 8 X 2	2.000	ST
2	5.411-070.0	Screw plug	1.000	ST
3	5.332-203.0	Helical spring	1.000	ST
4	5.582-119.0	Valve disc	1.000	ST
5	6.362-169.0	O-Ring seal 12,0 X 2,0	1.000	ST
6	7.401-908.0	Sphere 7 G300 -1.4301 DIN 5401	1.000	ST
7	6.363-273.0	O-Ring seal 11,0 x 2,0	5.000	ST
8	5.583-164.0	Valve screw	1.000	ST
9	6.362-077.0	O-Ring seal 10 x 2,2 NBR 70	6.000	ST
10	2.884-916.0	Valve (3 Stück)	2.000	ST
11	6.414-252.0	Strainer	1.000	ST
12	6.362-472.0	O-Ring seal 6,0 X 1,0-NBR 70	1.000	ST
13	4.132-007.0	Drain plug only for replacement	4.000	ST
14	5.063-897.0	Suction cover	1.000	ST
15	7.306-105.0	Screw M6x30 -8.8-R3R (In6Rd)	4.000	ST
16	6.362-533.0	O-Ring seal 14,0 X 1,5-NBR 70	3.000	ST
17	5.003-062.0	Plate	1.000	ST
18	6.413-067.0	Therموالve	1.000	ST
19	6.362-853.0	O-Ring seal 4,47x1,78	1.000	ST
20	5.332-233.0	Helical spring	1.000	ST
21	5.402-640.0	Screw union	1.000	ST
22	5.411-150.0	Screw plug	1.000	ST
23	5.115-876.0	Washer	1.000	ST
24	7.401-009.0	Sphere 4,762 KL3-1.4301 DIN 5401	1.000	ST
26	6.362-498.0	O-Ring seal 6,75x1,78 NBR 70	1.000	ST
27	4.580-358.0	THERMOVALVE ASSEMBLY	1.000	ST



10 Valve (3 Stück) (2.884-916.0)

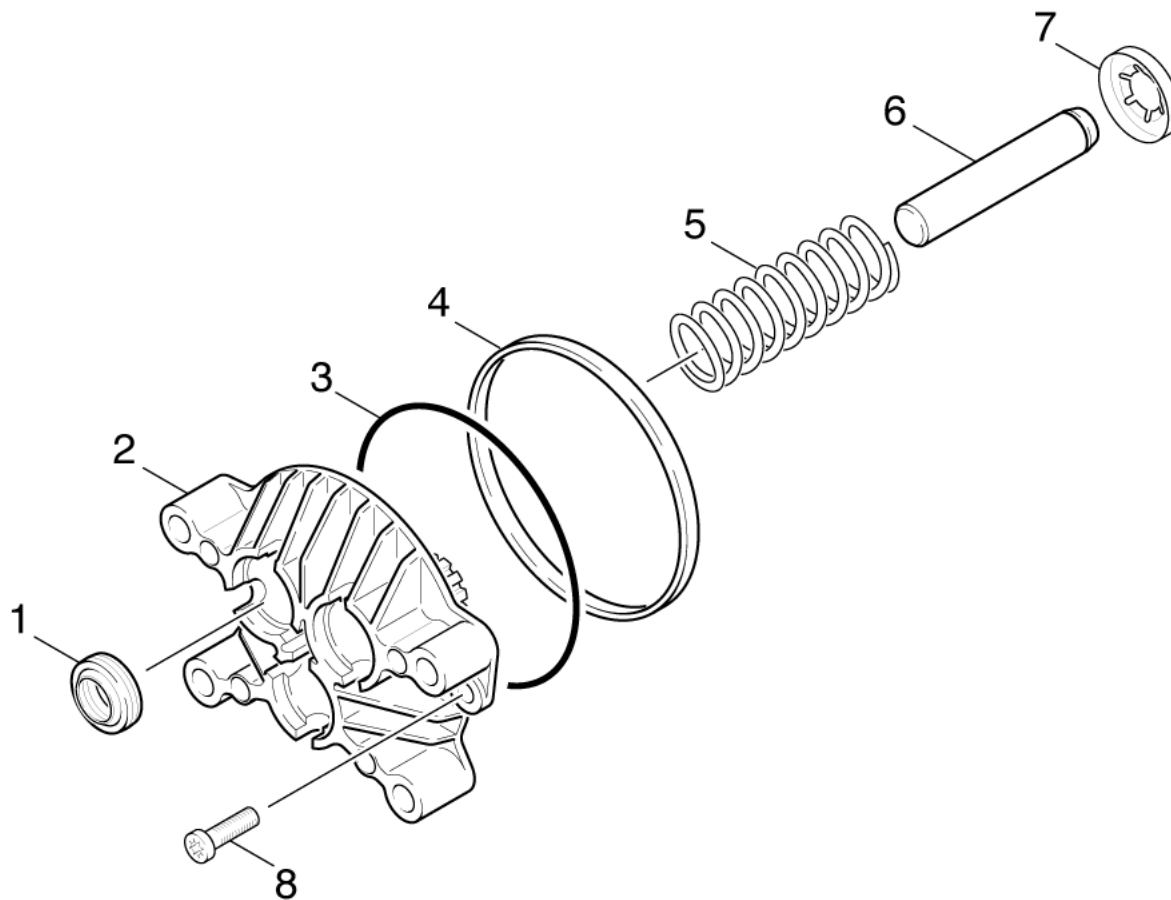
POS	Article no.	Description	Quantity	Unit
15	6.362-077.0	O-Ring seal 10 x 2,2 NBR 70	1.000	ST



18

13 Drain plug only for replacement (4.132-007.0)

POS	Article no.	Description	Quantity	Unit
18	6.362-458.0	O-Ring seal 11,0x2,0-NBR 70	1.000	ST

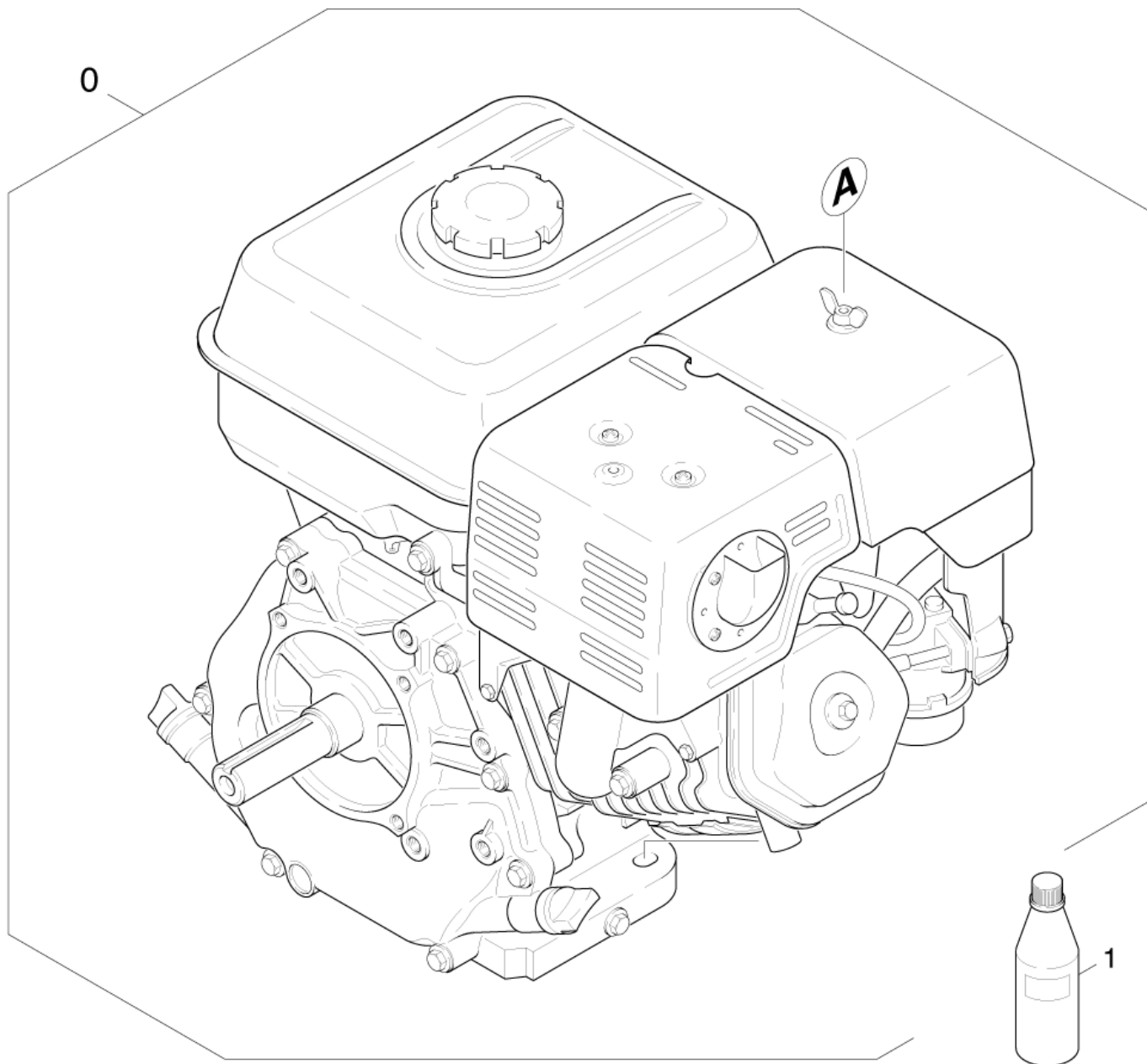


23 Piston

POS	Article no.	Description	Quantity	Unit
1	6.365-340.0	Grooved ring 14X22X5/7	3.000	ST
2	5.060-677.0	Thrust guidance	1.000	ST
3	6.363-067.0	O-Ring seal 92X2 NBR 70	1.000	ST
4	5.114-001.0	Ring	1.000	ST
5	5.332-427.0	Spring	3.000	ST
6	5.553-404.0	Piston	3.000	ST
7	5.030-625.0	Moulded part	3.000	ST
8	7.303-047.0	Screw M6x16 -St-R3R (In6Rd)	2.000	ST

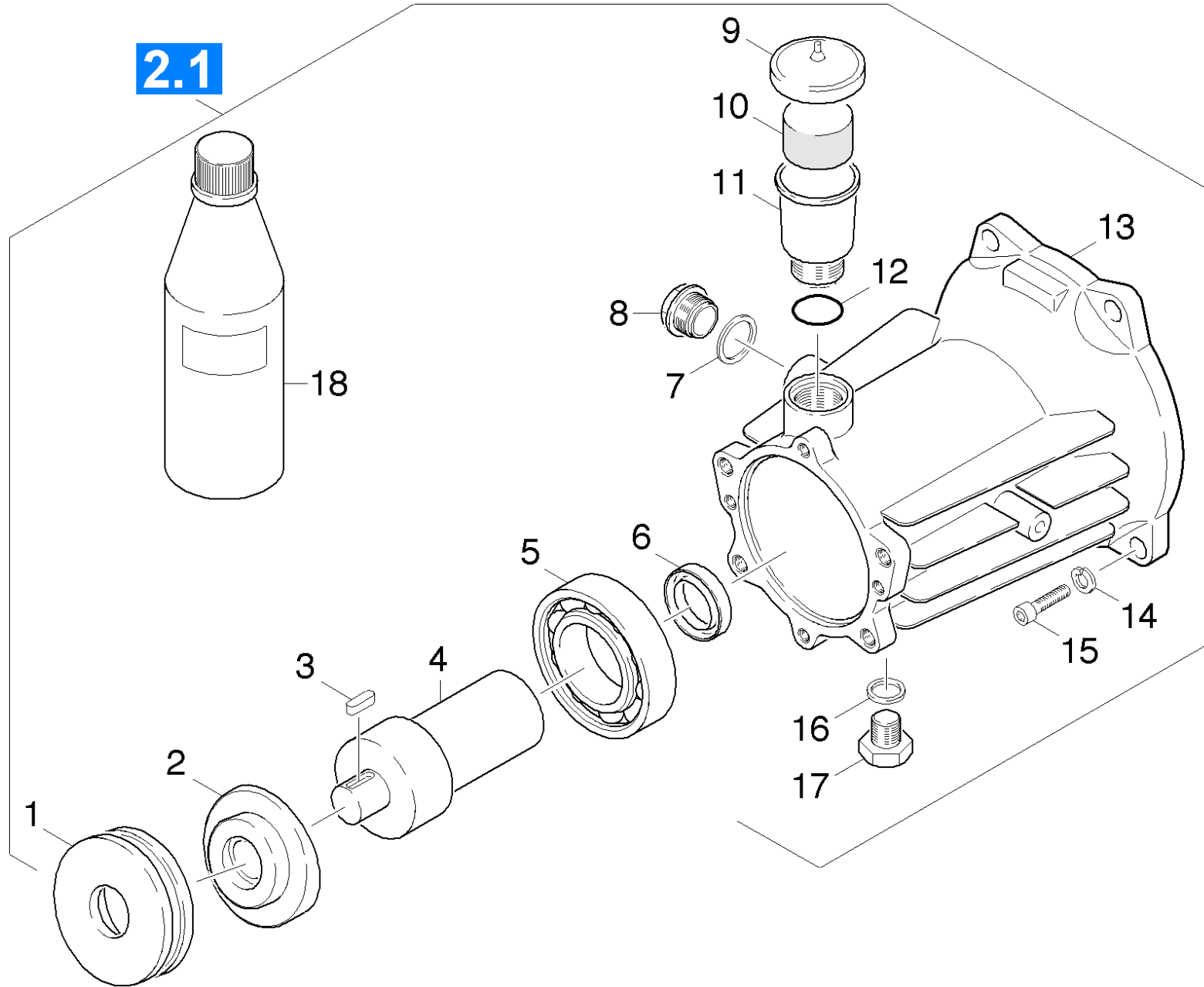
30 Motor

POS	Description	Quantity	Unit
31	Motor	1.000	ST
32	Transmission	1.000	ST



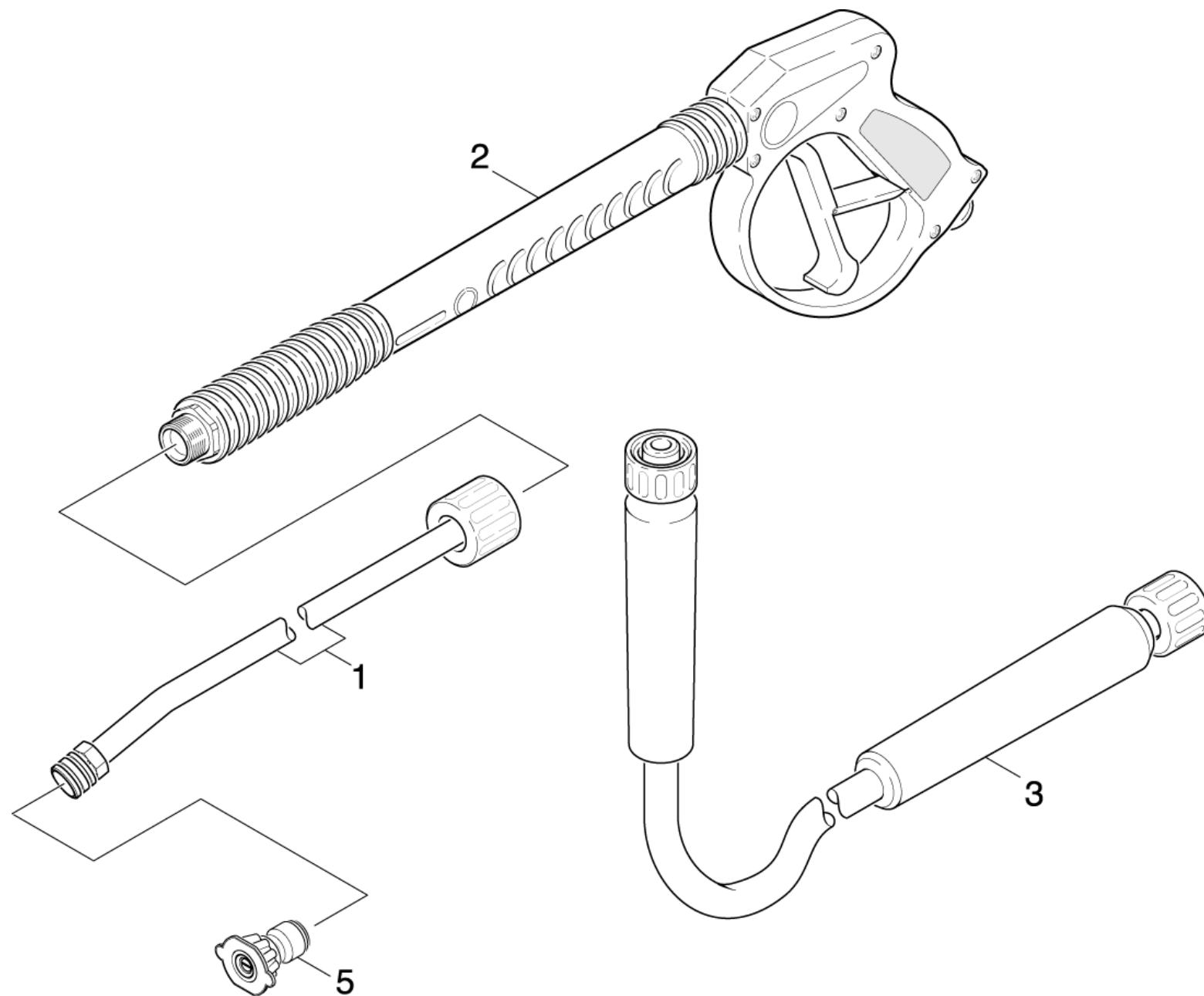
31 Motor

POS	Article no.	Description	Quantity	Unit
0		ENGINE, ROBIN 9HP	1.000	ST
1	6.288-050.0	Engine oil 1L	1.000	ST



32 Transmission

POS	Article no.	Description	Quantity	Unit
1	4.401-096.0	Deep groove ball thrust bearing only for	1.000	ST
2	5.120-315.0	Wobble plate lift 8mm	1.000	ST
3	7.318-002.0	Parallel key 5x5x16 -C45R DIN 6885-1	1.000	ST
4	5.471-099.0	Coupling element	1.000	ST
5	7.401-302.0	Roller bearing 30208-Wae.St. DIN 720	1.000	ST
6	7.367-011.0	Radial shaft seal ring A40x52x7-NBR DIN	1.000	ST
7	6.362-585.0	Seal	1.000	ST
8	5.411-062.0	Screw plug	1.000	ST
9	5.064-454.0	Cover qusty grey	1.000	ST
10	5.132-107.0	Plug	1.000	ST
11	5.070-194.0	Tank	1.000	ST
12	6.362-168.0	O-Ring seal 22,3 X 2,4-NBR 70	1.000	ST
13	5.060-825.0	Housing HD 690 B I	1.000	ST
14	6.312-066.0	Washer	4.000	ST
15	7.777-999.0	Stockpiling discontinued	4.000	ST
16	7.362-005.0	Joint ring A14x18 -Cu DIN 7603	1.000	ST
17	7.382-233.0	Screw plug M14x1,5-A-CuZn DIN 7604	1.000	ST
18	6.288-050.0	Engine oil 1L	1.000	ST



40 Accessories

POS	Article no.	Description	Quantity	Unit
1	9.112-508.0	LANCE -Q/C FEMALE	1.000	ST
2	9.112-009.0	TRIGGER GUN SK2 M22x1.5 MALE/MALE	1.000	ST
3	9.162-323.0	HP HOSE DN8/50'/4000/NOLOGO/BLK/RBR	1.000	ST
5	9.104-017.0	Q/C NOZZZLES 037 KIT	1.000	ST