

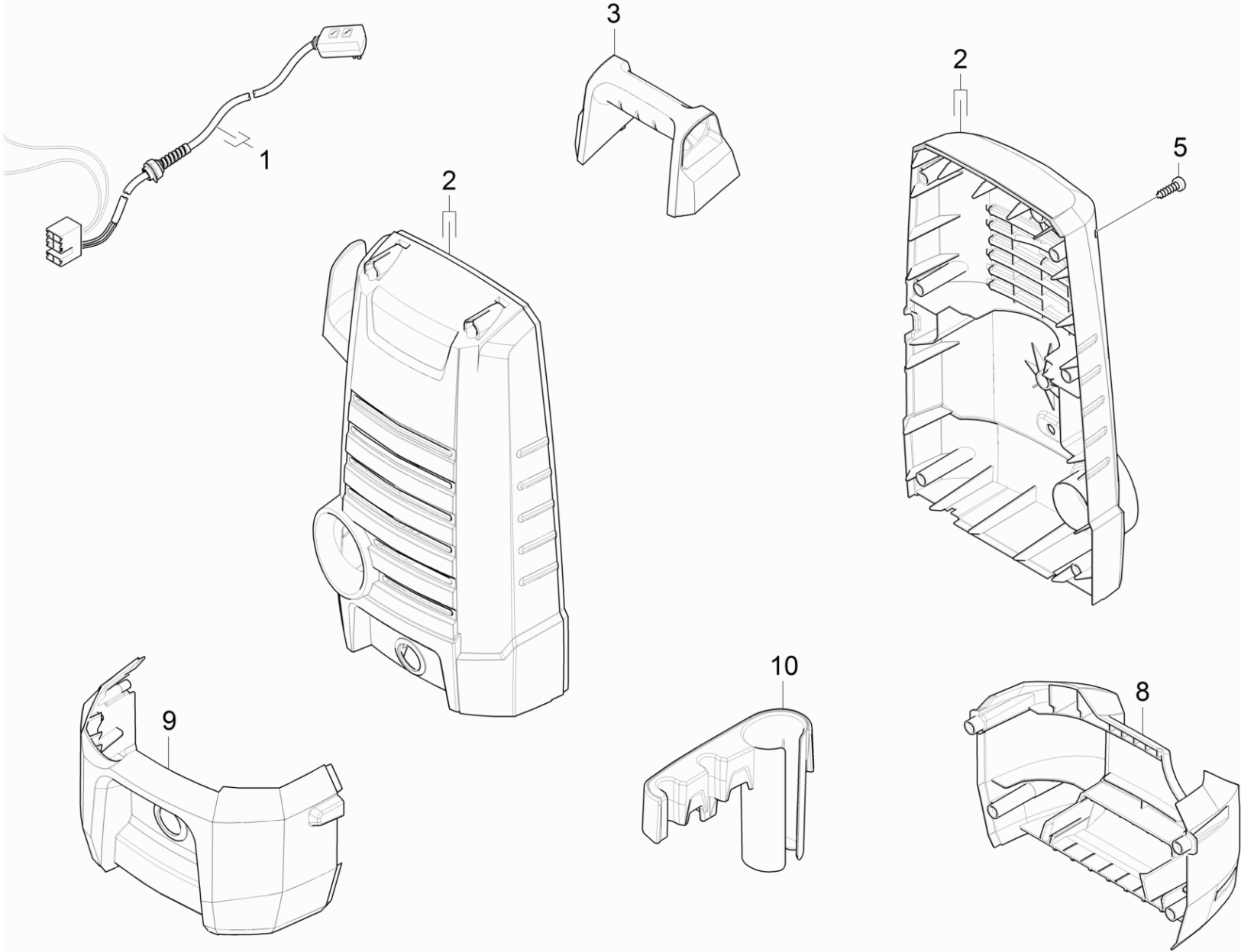
Spare parts list
(5.971-119.0) Spare parts list K2.050 */CA + EU (K2-fa

Table of contents

Spare parts list K2.050 */CA + EU (K2-fa (5.971-119.0))	6
10 Housing	7
20 Pump set	9
21 Housing	10
22 Thrust guidance	12
30 Motor	14
40 Accessories	16
41 Hand trigger gun	17
4 HK 7.5 high pressure hose set (2.641-828.0)	19
0 G 160 Q pistol Quick Connect (2.642-172.0)	21
42 Hand trigger gun	23
0 G 160 Q pistol Quick Connect (2.642-172.0)	25
43 Hand trigger gun	27
0 G 160 Q pistol Quick Connect (2.642-172.0)	29
44 Hand trigger gun	31
1 Pistol Entry (4.775-830.0)	33
45 Jet pipe	35
2 VPS K2 0287 (4.760-723.0)	37

Spare parts list K2.050 */CA + EU (K2-fa (5.971-119.0))

Pos	Name	Qty.	Unit
10	Housing	1.000	ST
20	Pump set	1.000	ST
30	Motor	1.000	ST
40	Accessories	1.000	ST

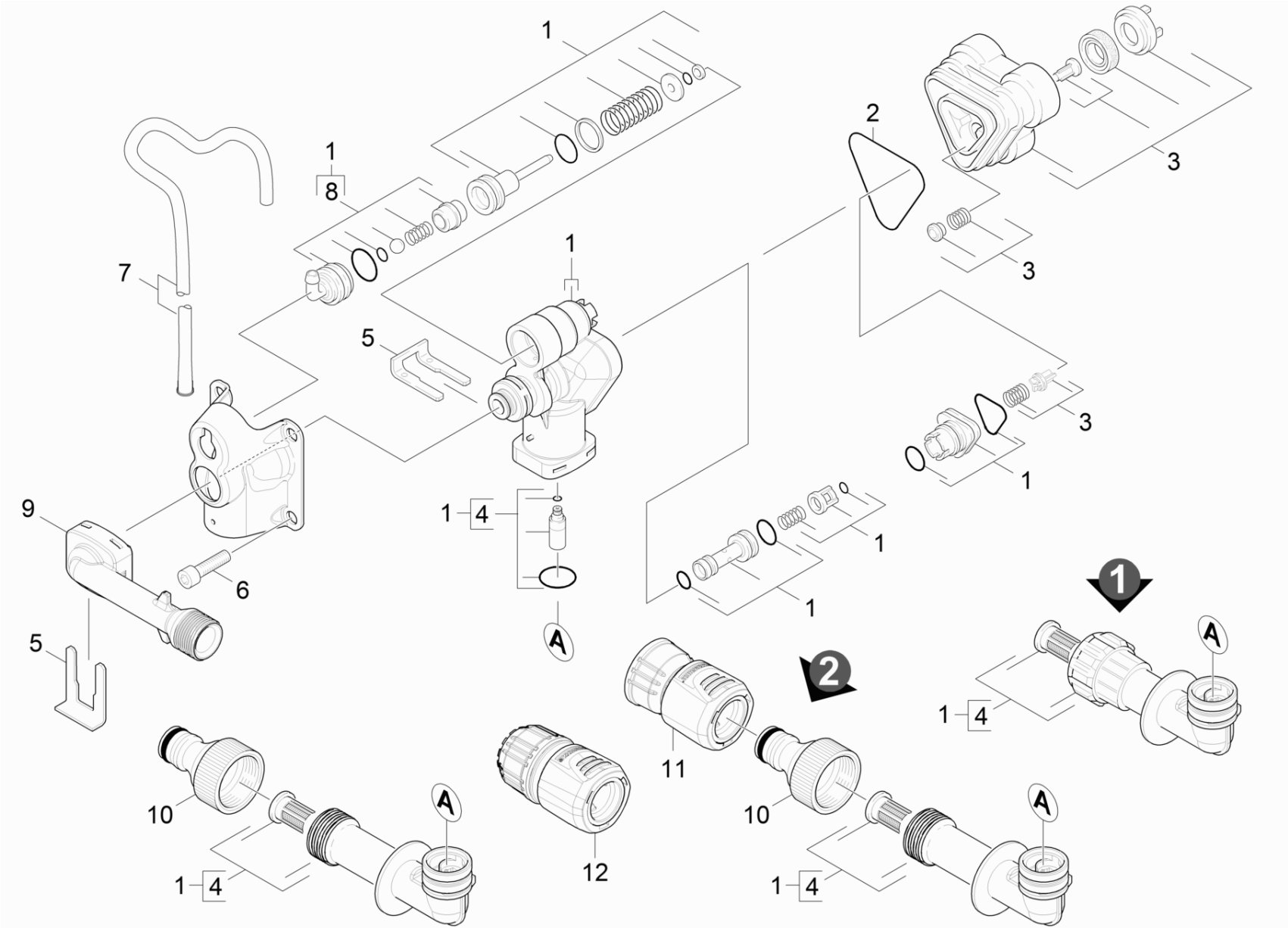


10 Housing

ET/VT (spare/wear parts)	Pos	Material #	Name	Qty.	Unit
	1	9.755-185.0	Cable complete replacement	1.000	ST
Position text: 1.601-650.0 /-651.0 /-660.0					
	1	9.755-186.0	Cable complete replacement *EU	1.000	ST
Position text: 1.601-652.0					
	2	9.755-434.0	Housing pair K2 family spare part	1.000	ST
Position text: 1.601-650.0 /-652.0					
	2	9.755-435.0	Housing pair K2 family with holder spare	1.000	ST
Position text: 1.601-660.0					
	3	9.755-212.0	Hand grip small spare part K2 Family	1.000	ST
X-X	5	9.086-173.0	Screw Hi-Lo d.4x22 Torx-d.7,5	10.000	ST
	8	9.755-233.0	Bumper rear without wheels sparepart K2	1.000	ST
Position text: 1.601-660.0					
	9	9.755-248.0	Bumper front	1.000	ST
Position text: 1.601-660.0					
	10	9.760-538.0	Holder accessories	1.000	ST
Position text: 1.601-660.0					

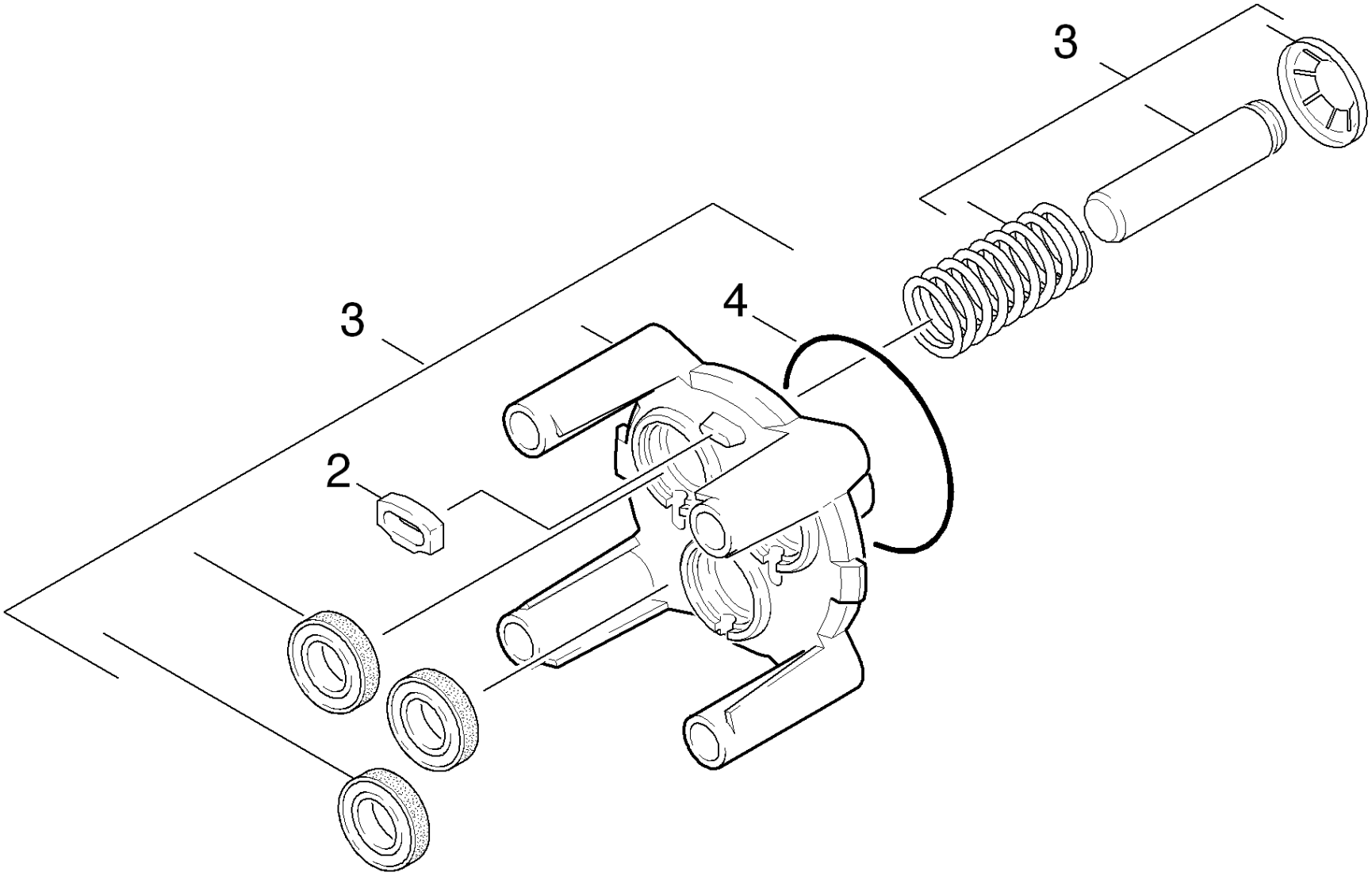
20 Pump set

Pos	Name	Qty.	Unit
21	Housing	1.000	ST
22	Thrust guidance	1.000	ST



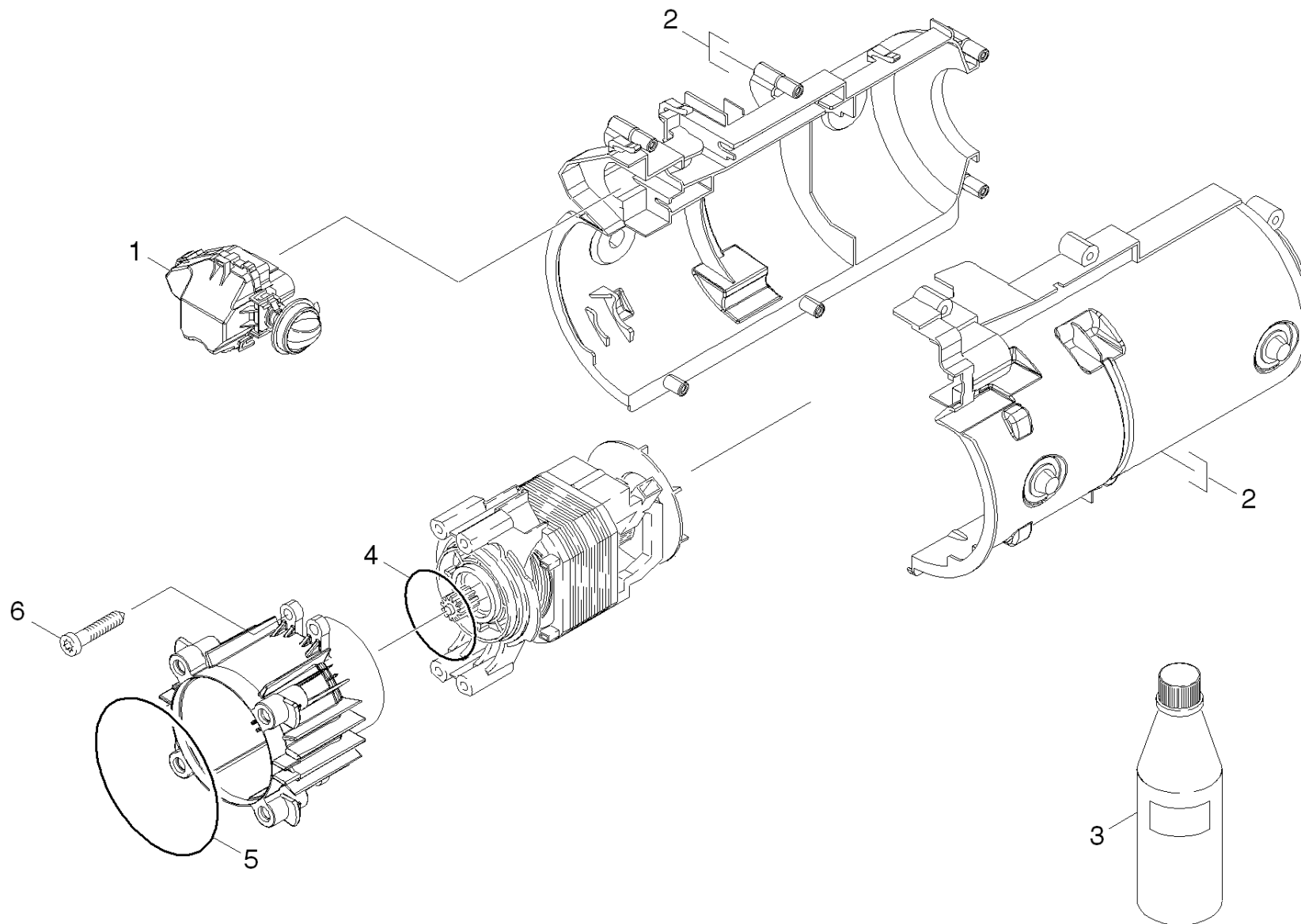
21 Housing

ET/VT (spare/wear parts)	Pos	Material #	Name	Qty.	Unit	var. information
	1	9.755-062.0	Housing complete replacement K2 Family	1.000	ST	VERSION 1
Position text: 1.601-650.0 /-651.0 /-660.0						
X-X	1	9.755-084.0	Housing complete replacement K2-fam.*BR/	1.000	ST	VERSION 2
Position text: 1.601-650.0 /-660.0						
X-X	1	9.755-072.0	Housing complete replacement K2 Family *	1.000	ST	
Position text: 1.601-652.0						
X-X	2	9.081-422.0	Form seal	1.000	ST	
X-X	3	9.755-020.0	H.P. head complete Spare Part	1.000	ST	
	4	9.755-384.0	Suction connection complete replacement	1.000	ST	VERSION 2
Position text: 1.601-660.0/-652.0						
X	4	9.755-383.0	Suction connection complete replacement	1.000	ST	
Position text: 1.601-652.0						
	4	9.755-083.0	Suction connection complete replacement	1.000	ST	VERSION 2
Position text: 1.601-650.0						
	4	9.755-061.0	Suction connection complete replacement	1.000	ST	VERSION 1
Position text: 1.601-650.0 /-651.0 /-660.0						
	5	9.039-148.0	Metal fork	2.000	ST	
	6	7.306-151.0	Cylinder head screw M8x65 -8.8-A2E ISO4	4.000	ST	
	7	9.011-911.0	Filter cleaning agents W107/207	1.000	ST	
X-X	8	9.001-741.0	FRONT HOUSING MODULAR COMPACT	1.000	ST	
X-X	9	9.755-172.0	Connection delivery side	1.000	ST	
X-X	10	6.465-031.0	Connection 3/4	1.000	ST	
	11	4.645-365.0	Coupler with label complete	1.000	ST	VERSION 2
Position text: 1.601-650.0 /-660.0						
	12	4.645-332.0	HOSE CONNECTOR 1/2" / 5/8" OPP	1.000	ST	
Position text: 1.601-652.0						



22 Thrust guidance

Pos	Material #	Name	Qty.	Unit	from ser.nr.	up to ser.nr.
2	9.048-071.0	Spacer - Seal	1.000	ST	0000000000	0000000000
3	9.755-018.0	Piston guidance complete replacement	1.000	ST	0000000000	0000000000
4	6.363-339.0	O-Ring seal 60x2,5 -NBR 80	1.000	ST	0000000000	0000000000

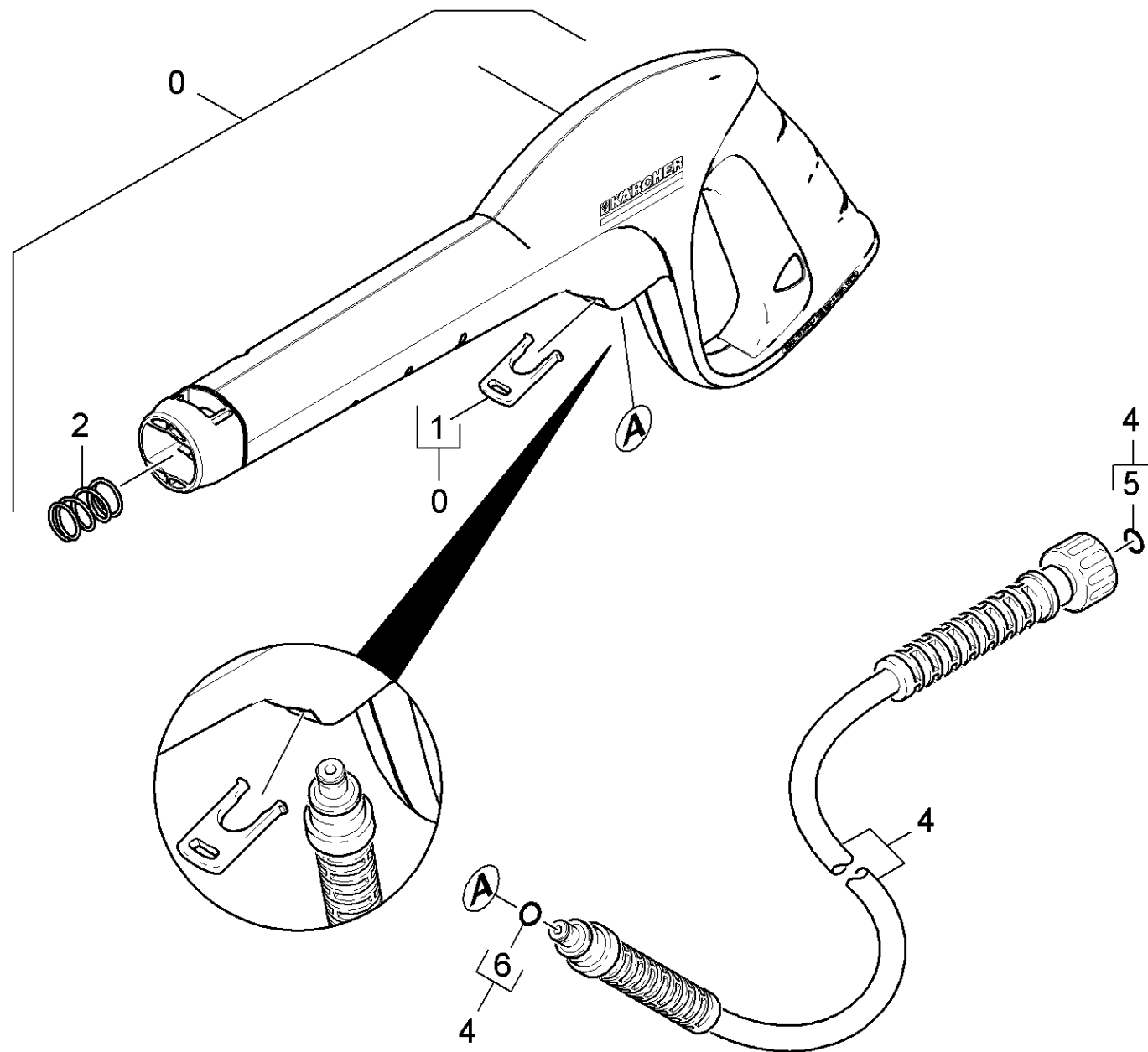


30 Motor

Pos	Material #	Name	Qty.	Unit	from ser.nr.	up to ser.nr.
1	9.755-347.0	Electric box	1.000	ST		
Position text: 1.601-652.0						
1	9.755-342.0	Electric box complete replacement K 2.26	1.000	ST	0000000000	0000000000
Position text: 1.601-650.0 /-651.0 /-660.0						
2	9.755-059.0	Housing motor	1.000	ST		
Position text: 1.601-652.0						
2	9.755-030.0	Housing motor replacement V0 (CEN)	1.000	ST	0000000000	0000000000
Position text: 1.601-650.0 /-651.0 /-660.0						
3	6.288-112.0	Engine oil 1L	1.000	ST	0000000000	0000000000
4	6.363-340.0	O-Ring 50 x 2,2 NBR 80	1.000	ST	0000000000	0000000000
5	6.363-339.0	O-Ring seal 60x2,5 -NBR 80	1.000	ST	0000000000	0000000000
6	6.303-260.0	Screw 5x26,4	4.000	ST	0000000000	0000000000

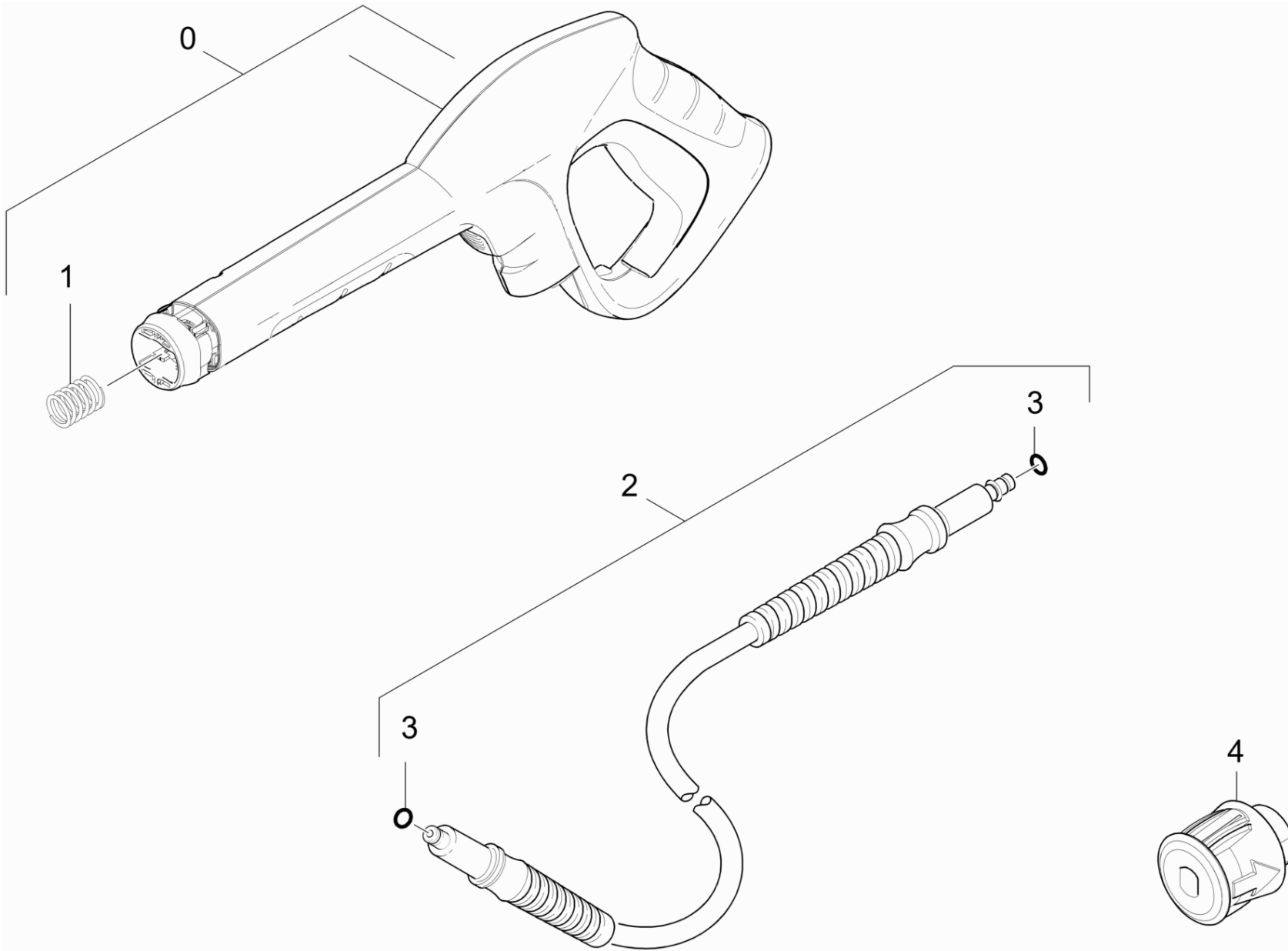
40 Accessories

Pos	Name	Qty.	Unit	var. information	Footnote text
41	Hand trigger gun	1.000	ST	VERSION 1	
42	Hand trigger gun	1.000	ST	VERSION 2	
43	Hand trigger gun	1.000	ST	VERSION 3	
44	Hand trigger gun	1.000	ST		VERSION 4
45	Jet pipe	1.000	ST		



41 Hand trigger gun

ET/VT (spare/wear parts)	Pos	Material #	Name	Qty.	Unit
X-X	0	2.641-959.0	G 160 pistol	1.000	ST
X-X	1	5.037-185.0	Clamp	1.000	ST
	2	5.332-464.0	Pressure spring	1.000	ST
X-X	4	2.641-828.0	HK 7.5 high pressure hose set	1.000	ST
X-X	5	2.880-990.0	Spare part set O-Ring 5x -Kaercher	1.000	ST
X-X	6	6.362-498.0	O-Ring seal 6,75x1,78 NBR 70	1.000	ST



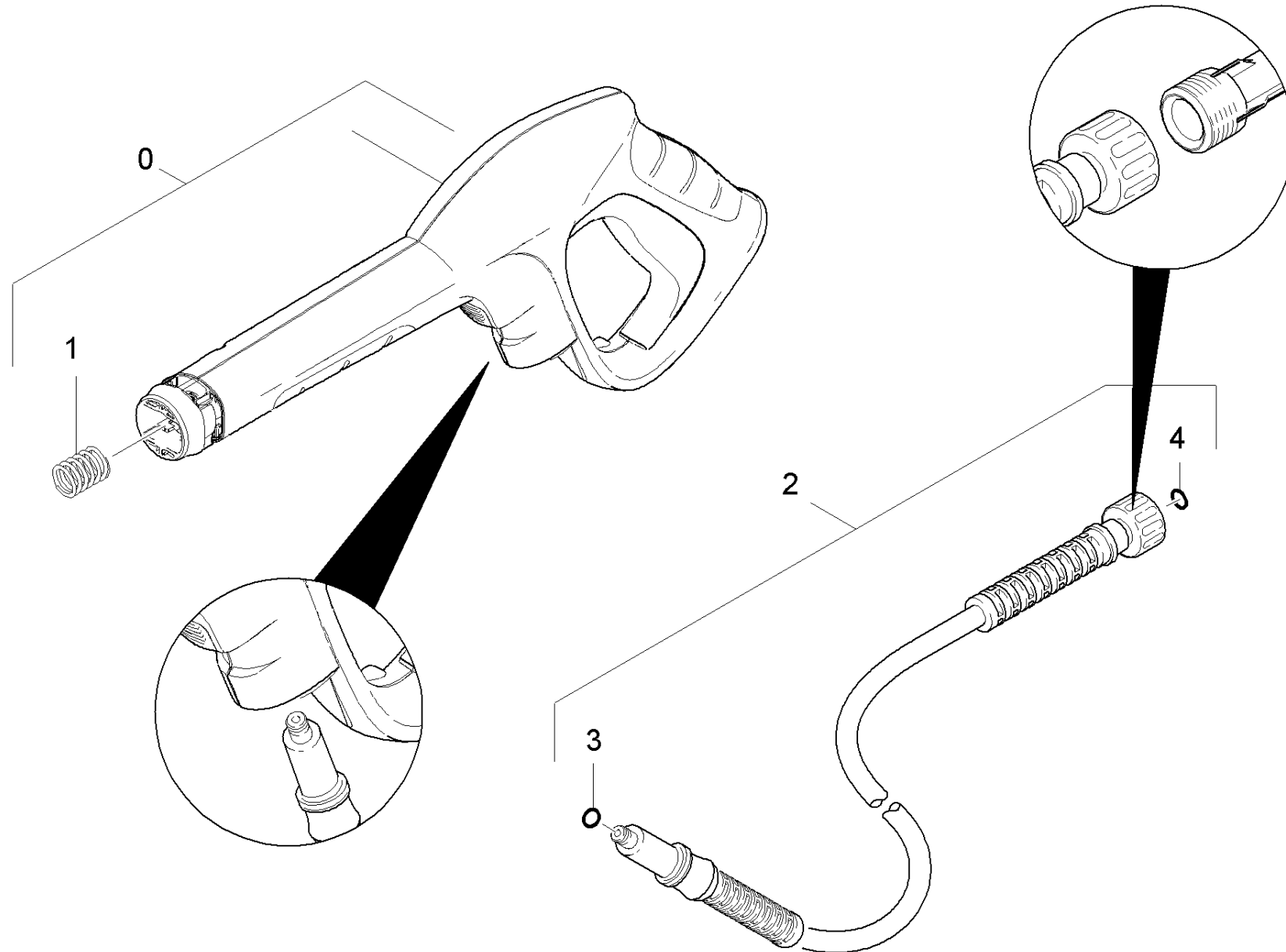
4 HK 7.5 high pressure hose set (2.641-828.0)

ET/VT (spare/wear parts)	Pos	Material #	Name	Qty.	Unit
X-X	0	2.642-172.0	G 160 Q pistol Quick Connect	1.000	ST
	1	5.332-464.0	Pressure spring	1.000	ST
X-X	2	2.641-721.0	H 9 Q high pressure hose Quick Connect	1.000	ST
X-X	3	6.363-410.0	O-Ring seal 5,7x1,78 NBR 90Shore	2.000	ST
X-X	4	4.470-041.0	High pressure quick-fitting pipe union A	1.000	ST



0 G 160 Q pistol Quick Connect (2.642-172.0)

Pos	Material #	Name	Qty.	Unit
1	5.332-464.0	Pressure spring	1.000	ST



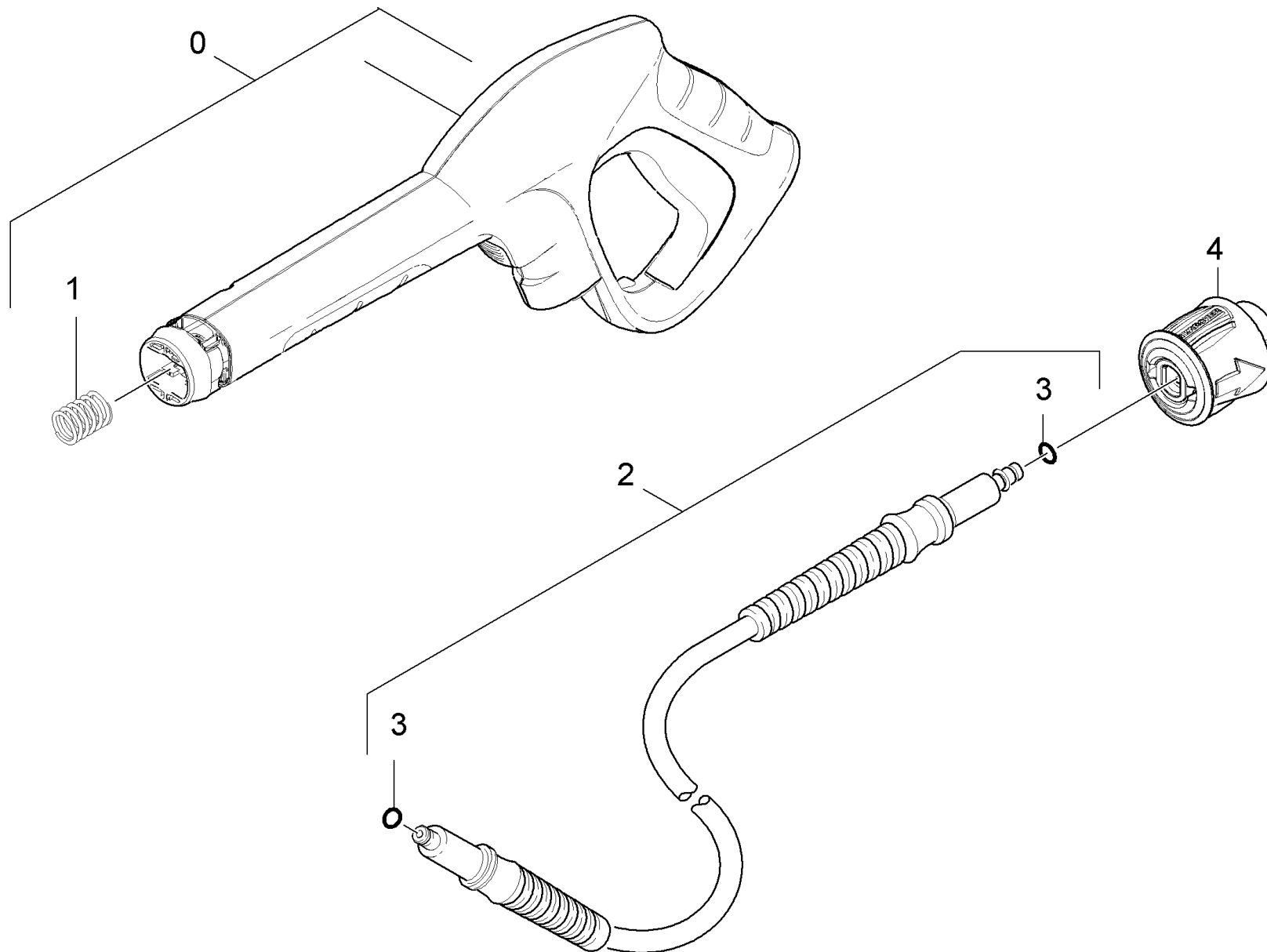
42 Hand trigger gun

ET/VT (spare/wear parts)	Pos	Material #	Name	Qty.	Unit
X-X	0	2.642-172.0	G 160 Q pistol Quick Connect	1.000	ST
	1	5.332-464.0	Pressure spring	1.000	ST
	2	6.392-352.0	High pressure hose 12MPa/7.5 40°C NQC B	1.000	ST
X-X	3	6.363-410.0	O-Ring seal 5,7x1,78 NBR 90Shore	1.000	ST
X-X	4	2.880-990.0	Spare part set O-Ring 5x -Kaercher	1.000	ST



0 G 160 Q pistol Quick Connect (2.642-172.0)

Pos	Material #	Name	Qty.	Unit
1	5.332-464.0	Pressure spring	1.000	ST



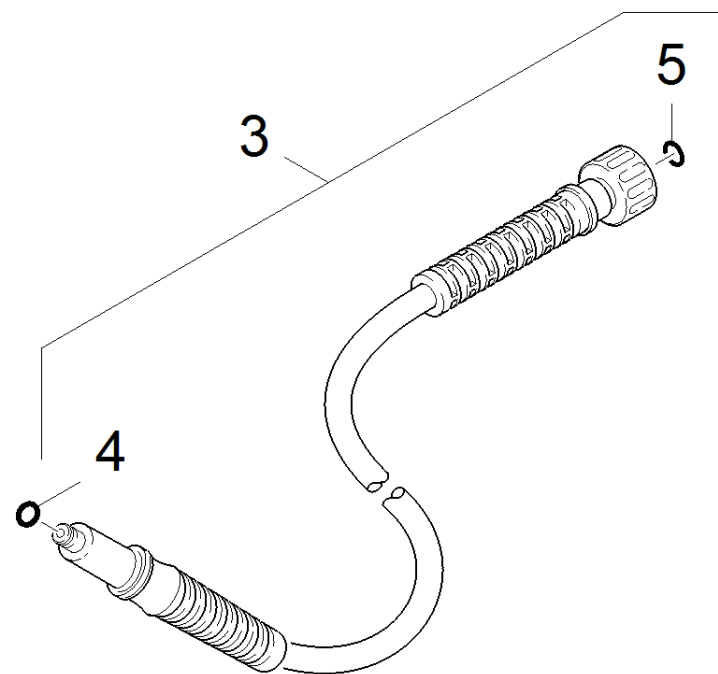
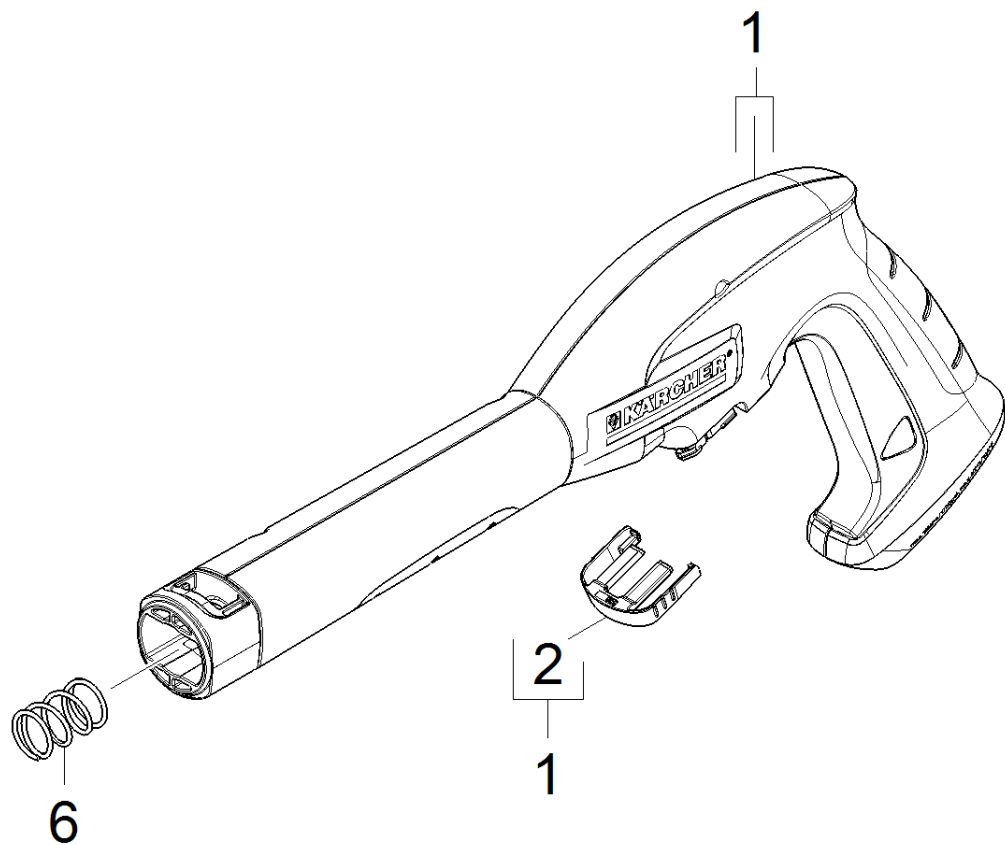
43 Hand trigger gun

ET/VT (spare/wear parts)	Pos	Material #	Name	Qty.	Unit
X-X	0	2.642-172.0	G 160 Q pistol Quick Connect	1.000	ST
	1	5.332-464.0	Pressure spring	1.000	ST
	2	6.392-966.0	High pressure hose 12MPa/10 40°C QC B	1.000	ST
X-X	3	6.363-410.0	O-Ring seal 5,7x1,78 NBR 90Shore	2.000	ST
X-X	4	4.470-041.0	High pressure quick-fitting pipe union A	1.000	ST



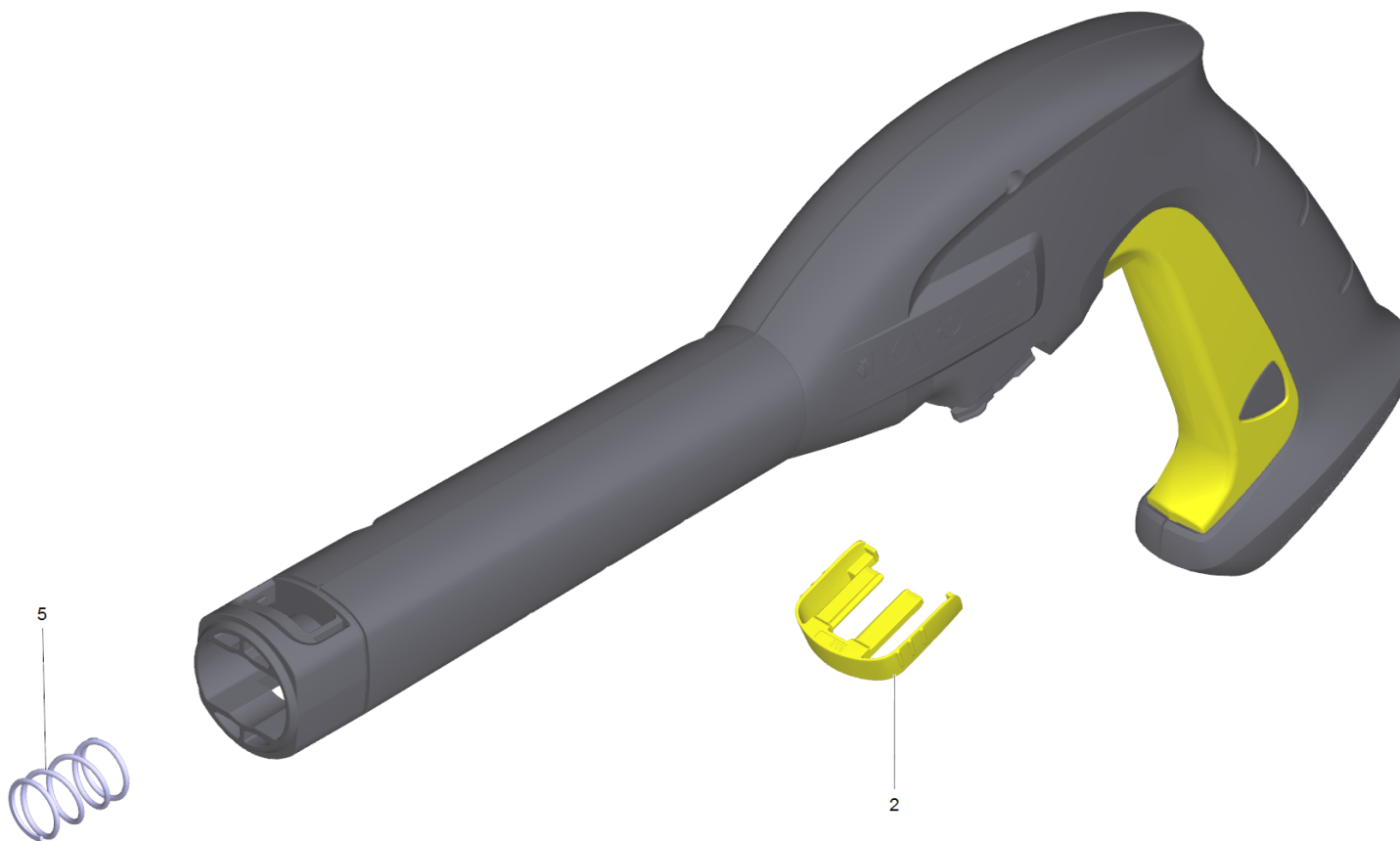
0 G 160 Q pistol Quick Connect (2.642-172.0)

Pos	Material #	Name	Qty.	Unit
1	5.332-464.0	Pressure spring	1.000	ST



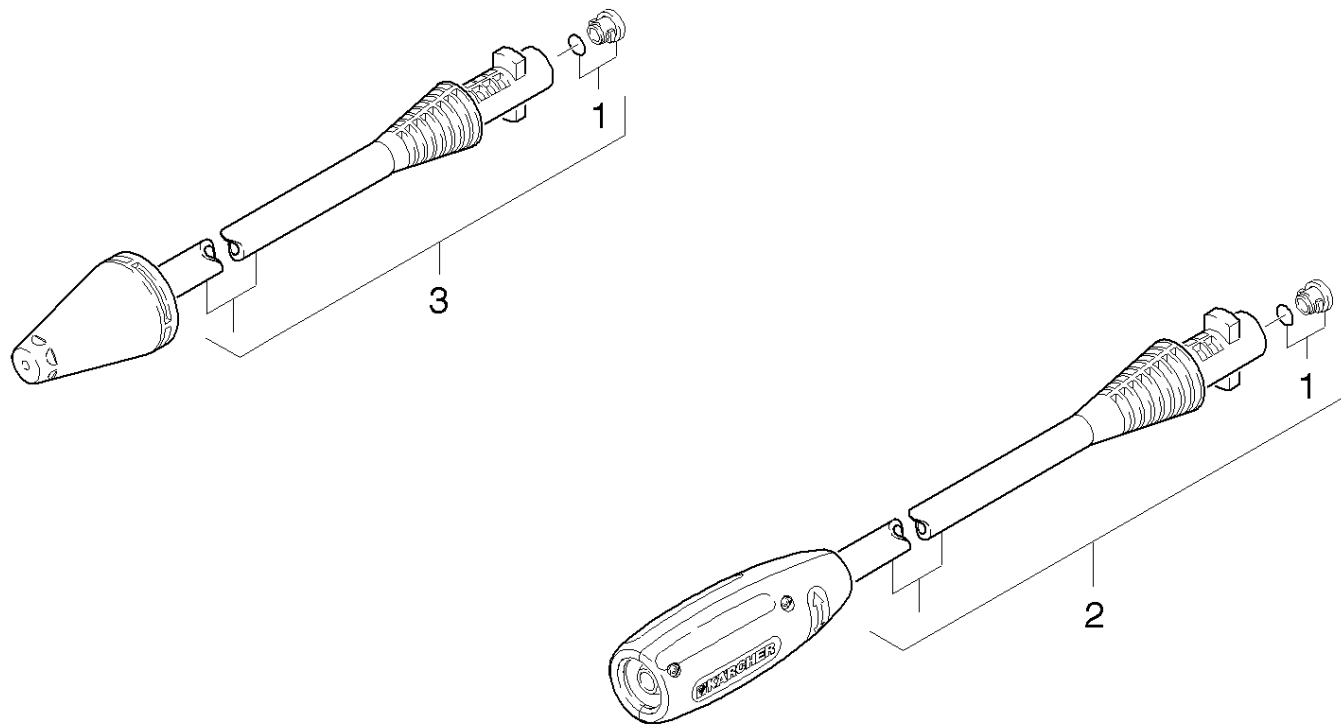
44 Hand trigger gun

ET/VT (spare/wear parts)	Pos	Material #	Name	Qty.	Unit
	1	4.775-830.0	Pistol Entry	1.000	ST
X	2	5.037-333.0	Clamp pistol Entry	1.000	ST
X	3	6.396-228.0	High pressure hose 12MPa/10 40°C NQC B	1.000	ST
X-X	4	6.363-410.0	O-Ring seal 5,7x1,78 NBR 90Shore	1.000	ST
X-X	5	2.880-990.0	Spare part set O-Ring 5x -Kaercher	1.000	ST
	6	5.332-464.0	Pressure spring	1.000	ST



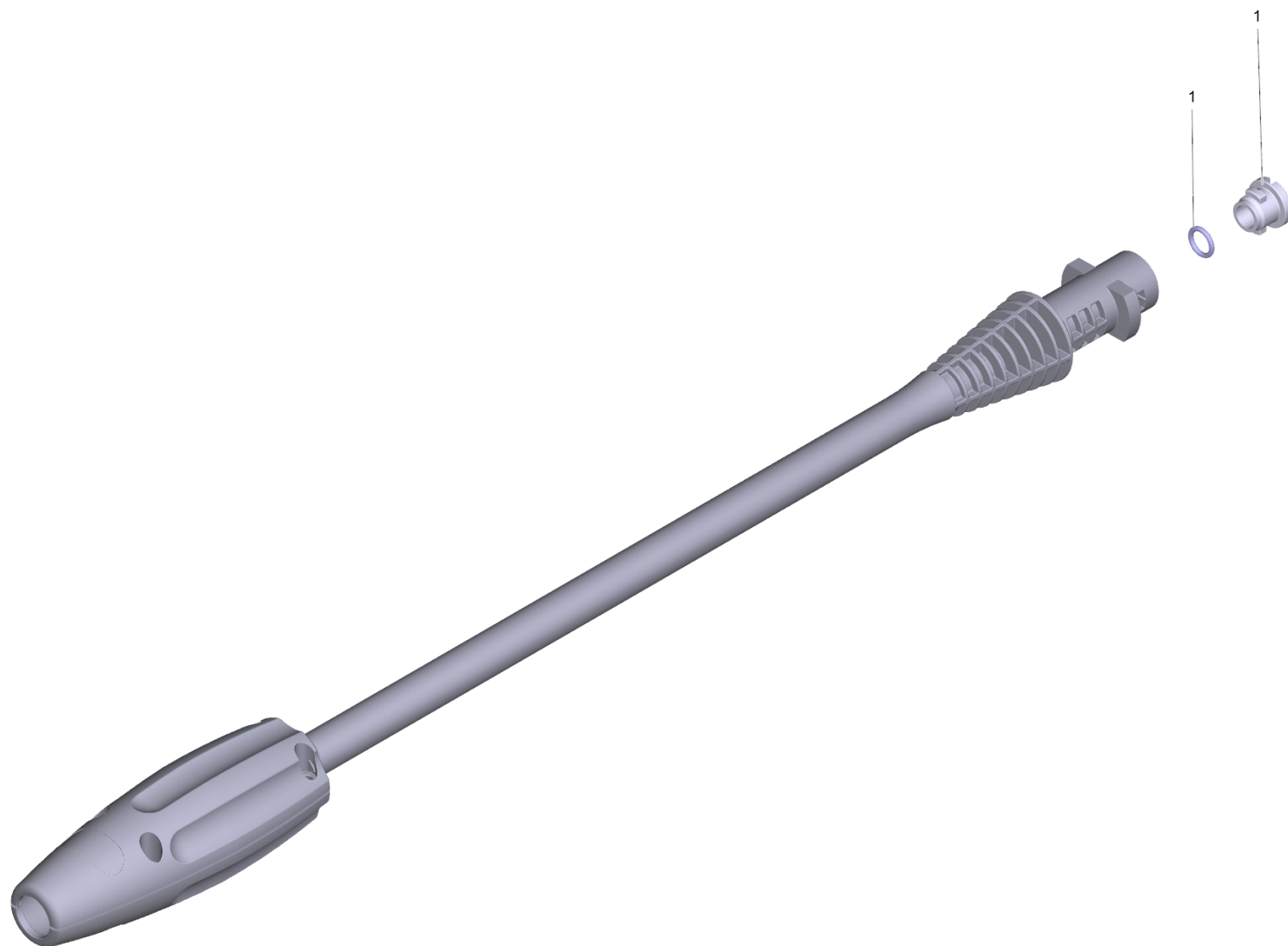
1 Pistol Entry (4.775-830.0)

ET/VT (spare/wear parts)	Pos	Material #	Name	Qty.	Unit
X	2	5.037-333.0	Clamp pistol Entry	1.000	ST
	5	5.332-464.0	Pressure spring	1.000	ST



45 Jet pipe

ET/VT (spare/wear parts)	Pos	Material #	Name	Qty.	Unit
X-X	1	2.640-729.0	O-Ring seal set	1.000	ST
	2	4.760-723.0	VPS K2 0287	1.000	ST
Position text: 1.601-652.0					
X	2	4.760-601.0	VPS K2 021 K	1.000	ST
Position text: 1.601-650.0 /-651.0 /-660.0					
X	3	9.750-674.0	Dirt blaster 024 CEN-St (14MPa)	1.000	ST
Position text: 1.601-660.0					
X	3	4.764-193.0	Dirt blaster 027St	1.000	ST
Position text: 1.601-652.0					
X-X	3	4.764-243.0	Dirt blaster K2 027 St	1.000	ST
Position text: 1.601-650.0 /-651.0					



2 VPS K2 0287 (4.760-723.0)

ET/VT (spare/wear parts)	Pos	Material #	Name	Qty.	Unit
X-X	1	2.640-729.0	O-Ring seal set	1.000	ST
