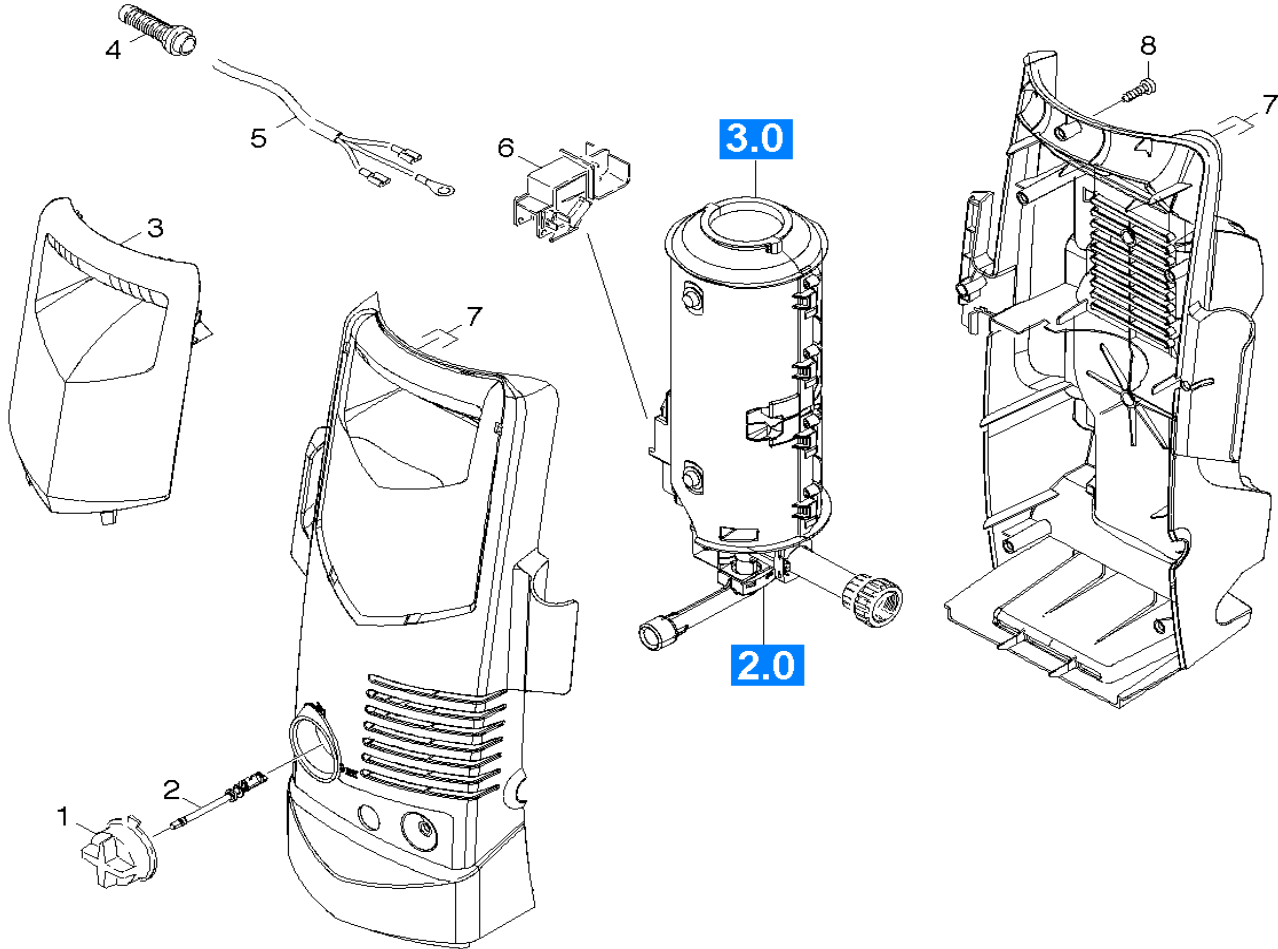


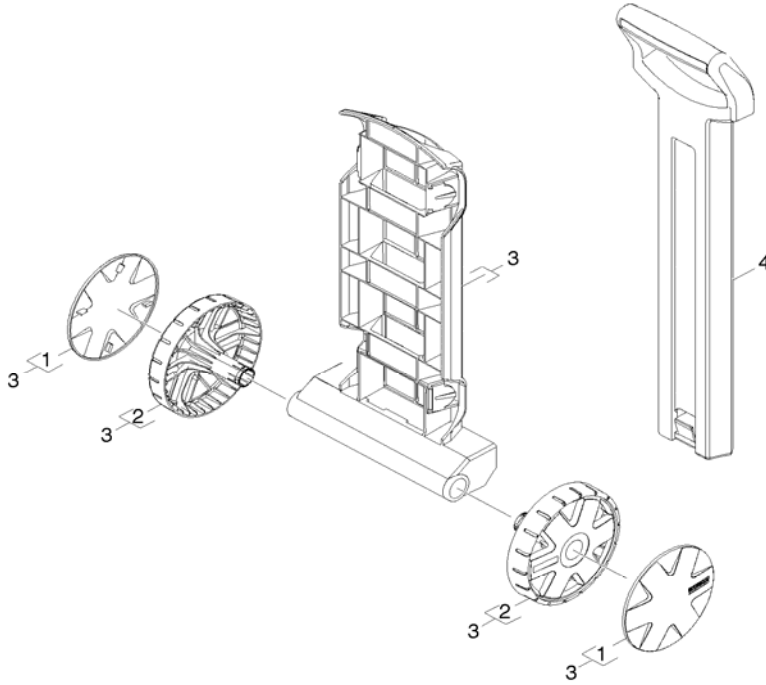
PARTS BREAKDOWN FOR K2.900 TV (1.671-343.0)

Location	PN	DESCRIPTION	QTY	SERIAL #	
				FROM	TO
HOUSING					
1	53217400	HANDLE SCHALTER K2.90	1		
2	51052960	Axle long black	1		
3	51310690	Screen housing pair K2.900	1		
4	58200700	Strain relief d 6,0 - d 8,5	1		
5	66488610	Cable with plug	1		
6	66303570	Switch complete UL/CSA+Ers. (ohne Fluege	1		
7	50674550	Housing pair replacement K2.900	1		
8	73030960	Screw 4x22 -ST-10.9-R2R (IN6RD)	7		



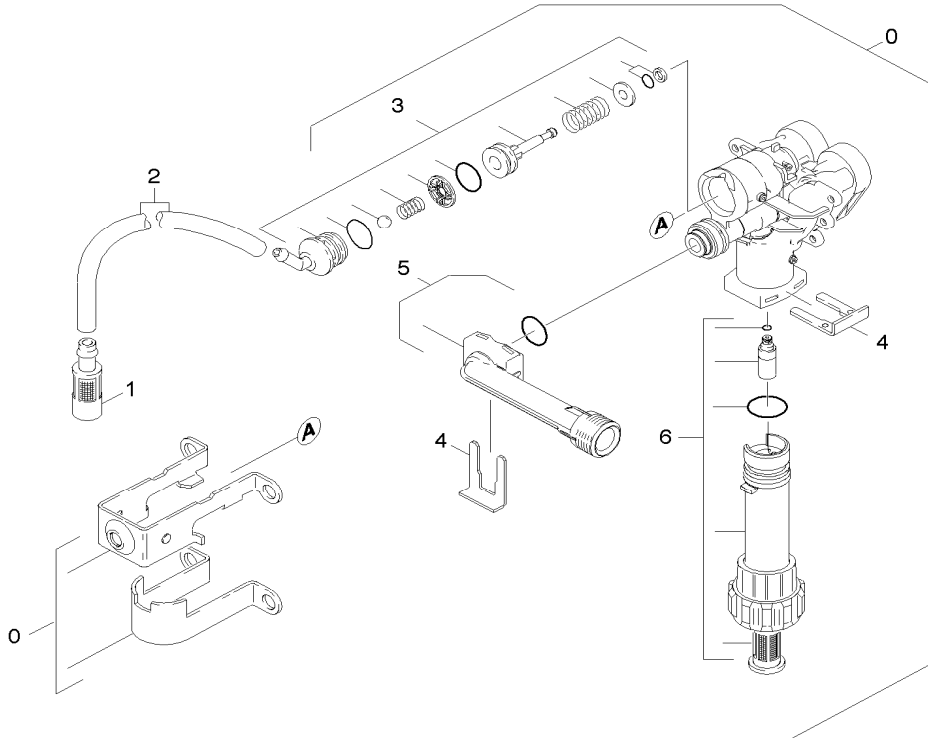
PARTS BREAKDOWN FOR K2.900 TV (1.671-343.0)

Location	PN	DESCRIPTION	QTY	SERIAL #	
				FROM	TO
TROLLEY					
1	51310700	Screen wheel K2.900	2		
2	55152730	Wheel K2.900	2		
3	45201600	Chassis replacement K2.900	1		
4	90363610	Handhold chassis	1		



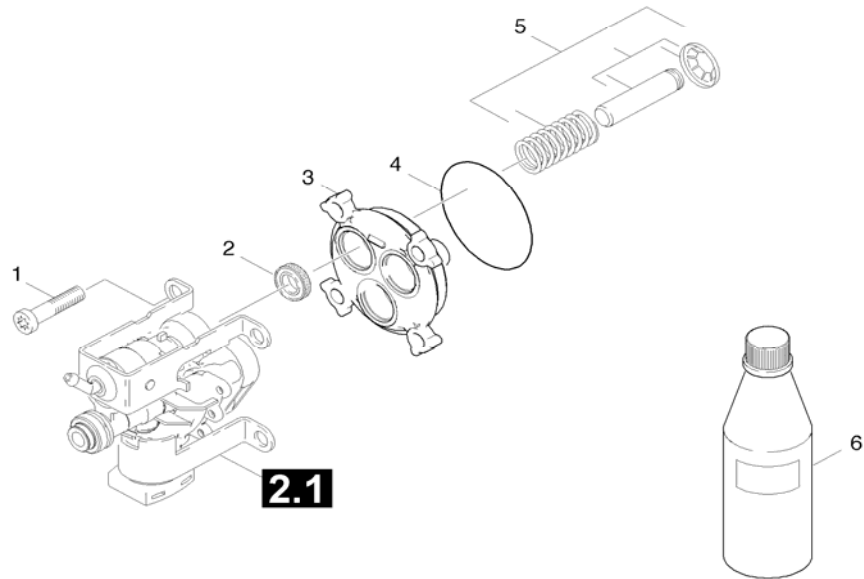
PARTS BREAKDOWN FOR K2.900 TV (1.671-343.0)

Location	PN	DESCRIPTION	QTY	SERIAL #	
				FROM	TO
PUMP HOUSING					
0	45507340	Cylinder head replacement *USA K2.900	1		
1	57316090	Filter with weight	1		
2	63882160	Hose DN 5	1		
3	28841330	Spare part set control piston chemistry	1		
4	50484060	Clamp	2		
5	40637830	Outlet high-pressure with O-Ring seal	1		
6	40638200	Suction cover *USA +SV Ersatz	1		



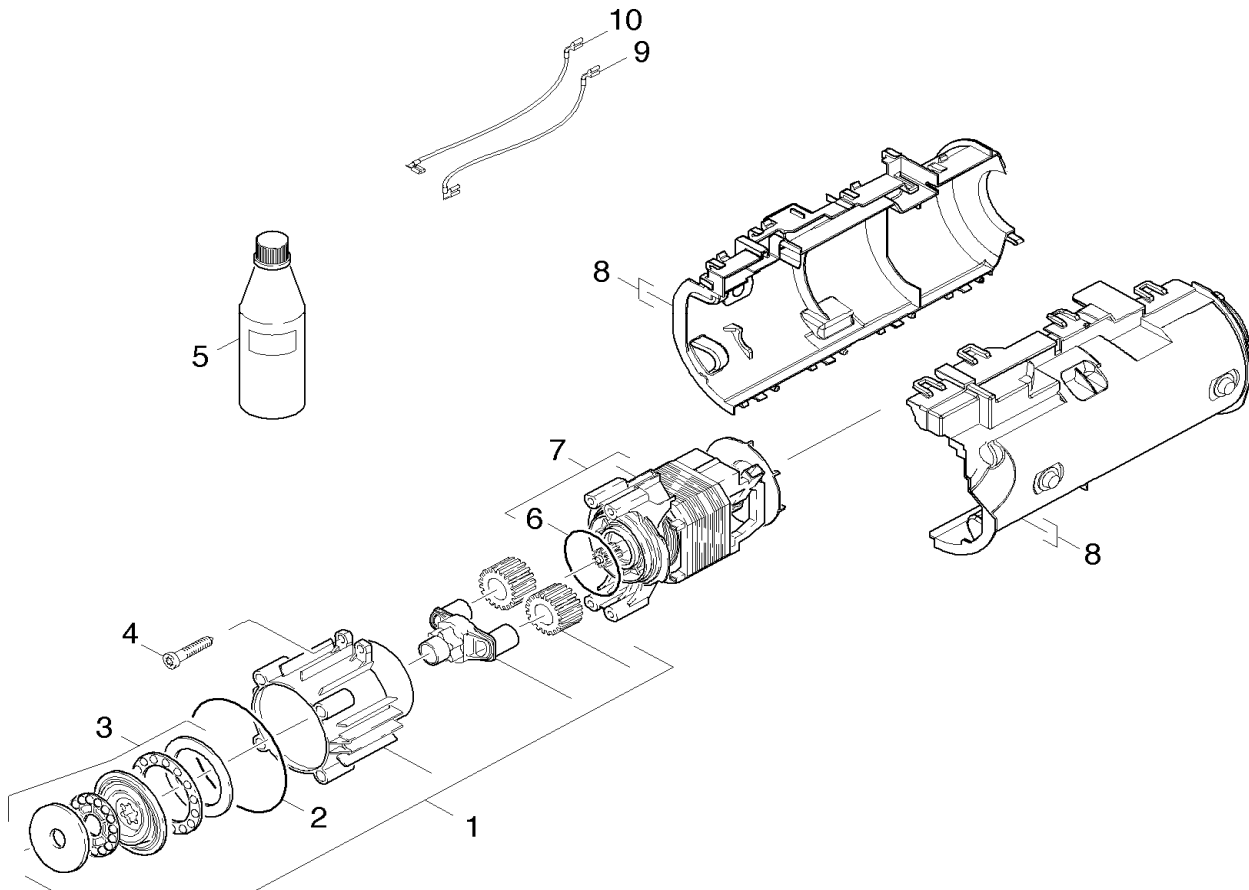
PARTS BREAKDOWN FOR K2.900 TV (1.671-343.0)

Location	PN	DESCRIPTION	QTY	SERIAL #	
				FROM	TO
THRUST GUIDANCE					
1	63031440	Screw St-A2E (In6Rd)	4		
2	63653930	Oil sealing 12x20x4/6	3		
3	50608530	Thrust guidance PA6.6	1		
4	63629020	O-Ring 60x2,5 NBR 70	1		
5	28848590	Spare parts set piston GSF	3		
6	62881120	Engine oil 1L	1		



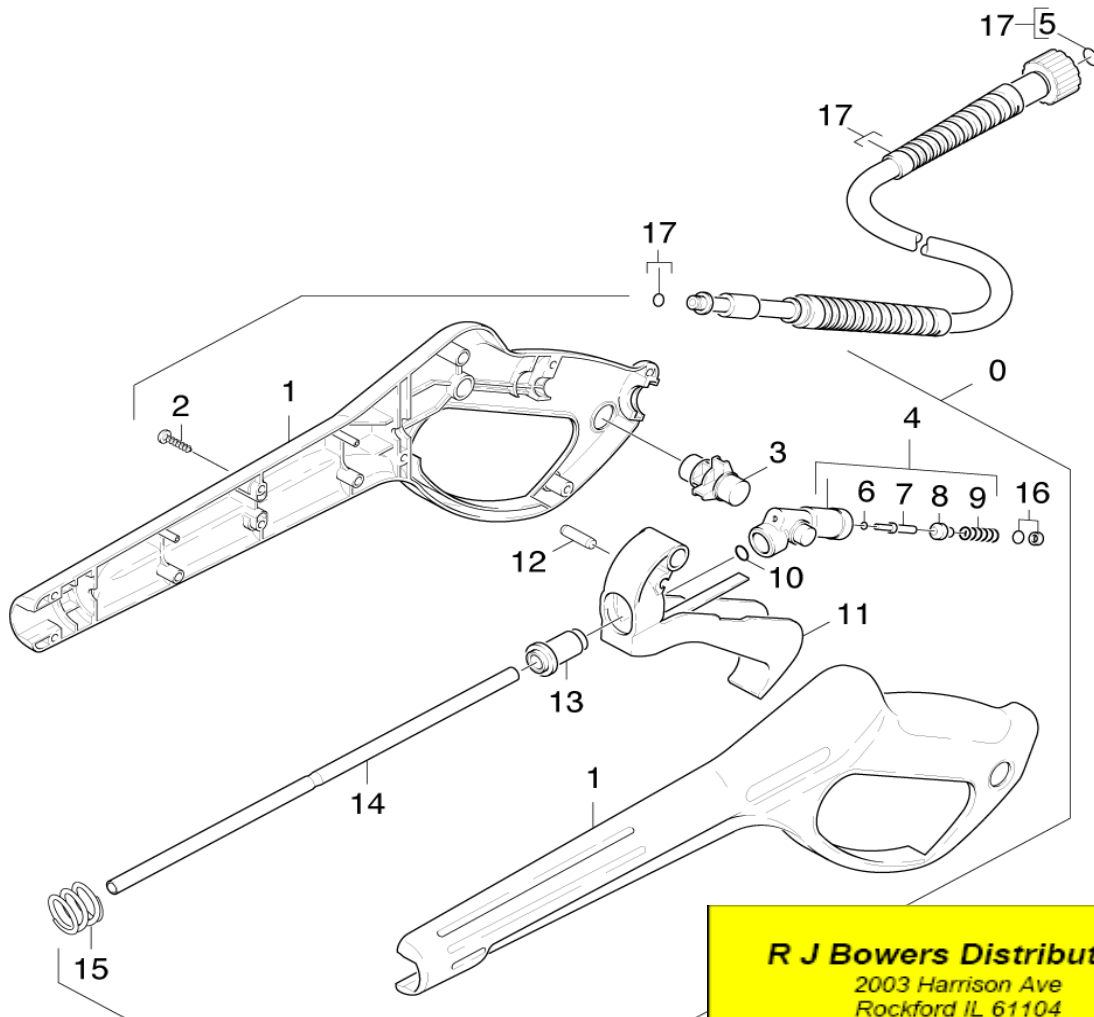
PARTS BREAKDOWN FOR K2.900 TV (1.671-343.0)

Location	PN	DESCRIPTION	QTY	SERIAL #	
				FROM	TO
MOTOR					
1	40606290	Gear complete replacement K2.900	1		
2	63629020	O-Ring 60x2,5 NBR 70	1		
3	41201960	Swash plate lift 4,09	1		
4	63032600	Screw 5x26,4	4		
5	62881120	Engine oil 1L	1		
6	63629790	O-Ring 50x2,2 NBR 70	1		
7	46235110	MOTOR KPL. *	1		
8	40670490	Housing motor replacement K2.900	1		
9	66485870	Cable motor 225mm */EPC	1		
10	66485860	Cable brown AWG18x270mm	1		



PARTS BREAKDOWN FOR K2.900 TV (1.671-343.0)

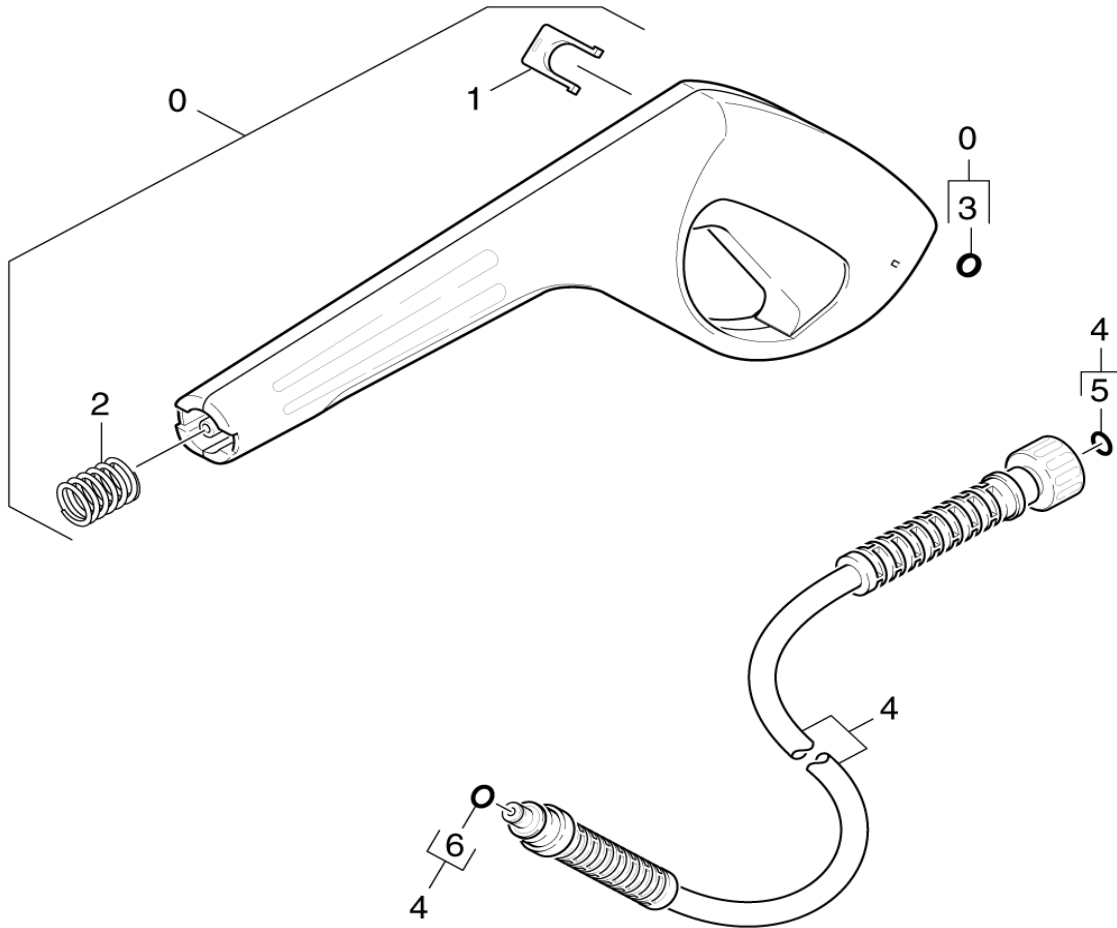
Location	PN	DESCRIPTION	QTY	SERIAL #	
				FROM	TO
ACCESSORIES - Trigger Gun & Hose					
0	4775-2640	Trigger Gun	1		
1	5321-5120	Handhold few	1		
2	6303-1220	M4.2x13 Torx T-15	9		
3	5481-1890	Lever	1		
4	4427-1780	Manifolds	1		
5	2880-2960	O-Ring Seal (5 Pack)	1		
6	7362-5020	O-Ring Seal 2.8x1.6	1		
7	5107-1470	Bar	1		
8	5582-0580	Valve Disk	1		
9	5332-1570	Helical Spring	1		
10	6362-4790	O-Ring Seal 7.59x2.62	1		
11	4481-1050	Lever	1		
12	5314-0820	Pin	1		
13	5110-5390	Sleeve	1		
14	5028-9050	Pipe	1		
15	5332-3490	Pressure Spring	1		
16	6362-4980	O-Ring Seal 6.75x1.78	1		
17	6389-5550	High Pressure Hose	1		



R J Bowers Distributors
 2003 Harrison Ave
 Rockford IL 61104
 E-mail: service@rjbowers.com
 Web: www.rjbowers.com
 (815) 399-8839 (800) 383-6584

PARTS BREAKDOWN FOR K2.900 TV (1.671-343.0)

Location	PN	DESCRIPTION	QTY	SERIAL #	
				FROM	TO
ACCESSORIES - TRIGGER GUN & HOSE					
0	47753890	PISTOL	1		
1	50371370	CLAMP	1		
2	53324640	Pressure spring	1		
3	63631980	GASKET	1		
4	63908710	High pressure hose 6/11MPa	1		
5	28802960	Spare part set O-Ring seal 5x-Kaercher	1		
6	63624980	O-Ring seal 6,75x1,78 NBR 70	1		



INTERNAL PARTS ARE NOT AVAILABLE FOR THIS TRIGGER GUN

PARTS BREAKDOWN FOR K2.900 TV (1.671-343.0)

Location	PN	DESCRIPTION	QTY	SERIAL #	
				FROM	TO
ACCESSORIES - SPRAY WANDS					
1	26407290	O-Ring seal set	1		
2	47605200	VPS K2 026	1		
3	47639910	ROTARY NOZZLE	1		

