

**Ersatzteilliste  
Spare Parts List  
Liste des pièces de rechange**

# **K 370**

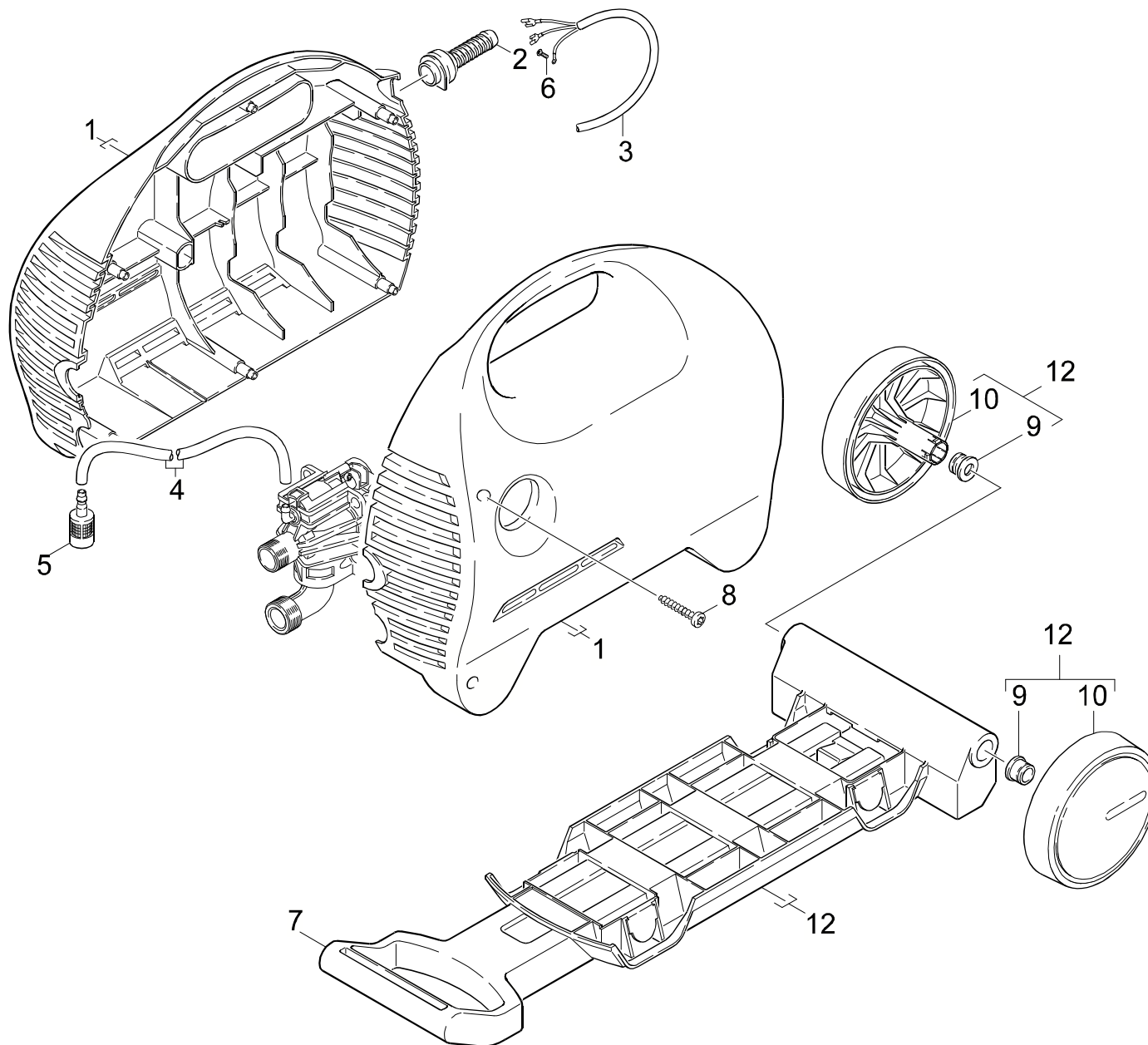
1.141-256.0 K 3.70M \*CDN

GRUPPE: 1.0 EINZELTEILE  
GROUP: 1.0 PIECE PARTS  
GRUPPE: 1.0 PIECES CONSTITUANTES

**A1**

**K 370**

**GRUPPE: 1.0 EINZELTEILE**  
**GROUP: 1.0 PIECE PARTS**  
**GRUPPE: 1.0 PIECES CONSTITUANTES**



Symbolbeschreibung siehe M16 / symbol description see M16 / désignation de système voir M16 /

GRUPPE: 1.0 EINZELTEILE  
GROUP: 1.0 PIECE PARTS  
GRUPPE: 1.0 PIECES CONSTITUANTES

C1

K 370

| POS.<br>ITM.<br>POS. | BENNENUNG<br>DESCRIPTION<br>DESIGNATION  | TEILE-NR.<br>PART-NO.<br>NO.PIECE | STCK<br>QTY.<br>NBR. |
|----------------------|--|-----------------------------------|----------------------|
| 1                    | GEHAEUSEPAAR NEUTR. / HOUSING / BOITIER  | 9.036-414.0                       | 1                    |
| 2                    | KABELTUELLE Z8,5 / CABLE BUSHING / PASSE CABLE   | 6.903-429.0                       | 1                    |
| 3                    | KABEL MIT STECKER / CABLE / CABLE  | 9.084-056.0                       | 1                    |
| 4                    | SCHLAUCH DN 5 / HOSE / TUYAU FLEXIBLE  | 6.388-216.0                       | 1                    |
|                      | <b>ALS METERWARE BESTELLEN/TO ORDER AS CUT<br/>GOODS/COMMANDE COMME MARCHANDISE AU METRE</b> |                                   |                      |
| 5                    | FILTER MIT GEWICHT / FILTER / FILTRE   | 5.731-609.0                       | 1                    |
| 6                    | SCHRAUBE M 4X 10 / SCREW / VIS   | 7.303-031.0                       | 1                    |
| 7                    | GRIFF FAHRGESTELL / HANDLE / POIGNEE   | 9.036-361.0                       | 1                    |
| 8                    | SCHRAUBE (4 STUECK) / SCREW / VIS  | 9.011-460.0                       | 1                    |
| 9                    | HUELSE RAD / SLEEVE / DOUILLE  | 9.036-141.0                       | 2                    |
| 10                   | RAD D 120 / HAUBE / WHEEL / ROUE   | 9.036-115.0                       | 2                    |
| 12                   | BASIS+RAEDER / BASIS+RAEDER / BASIS+RAEDER   | 9.011-381.0                       | 1                    |

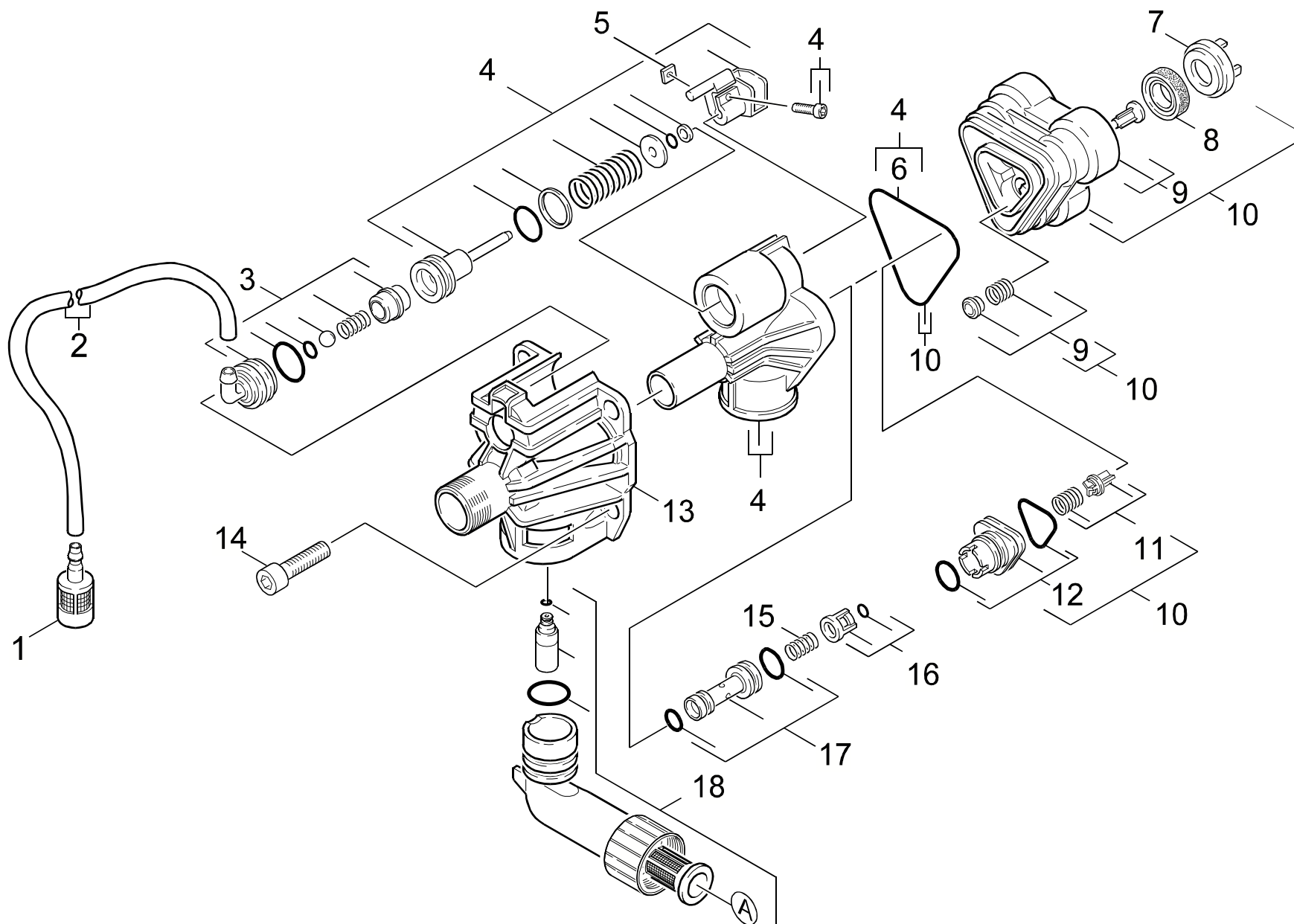
"=> xxxxxx" = bis Werknummer / up to serial No. / jusqu' au No. de fabr. / "xxxxxx =>" = ab Werknummer / from serial No. / a partir du No. de fabr. /

GRUPPE: 2.0 PUMPENSATZ  
GROUP: 2.0 PUMP SET  
GRUPPE: 2.0 JEU (ENSEMBLE) DE POMPE

**A2**

**K 370**

**GRUPPE: 2.0 PUMPENSATZ**  
**GROUP: 2.0 PUMP SET**  
**GRUPPE: 2.0 JEU (ENSEMBLE) DE POMPE**



Symbolbeschreibung siehe M16 / symbol description see M16 / désignation de système voir M16 /

GRUPPE: 2.1 ZYLINDERKOPF  
GROUP: 2.1 CYLINDER HEAD  
GROUPE: 2.1 CULASSE

C2

K 370

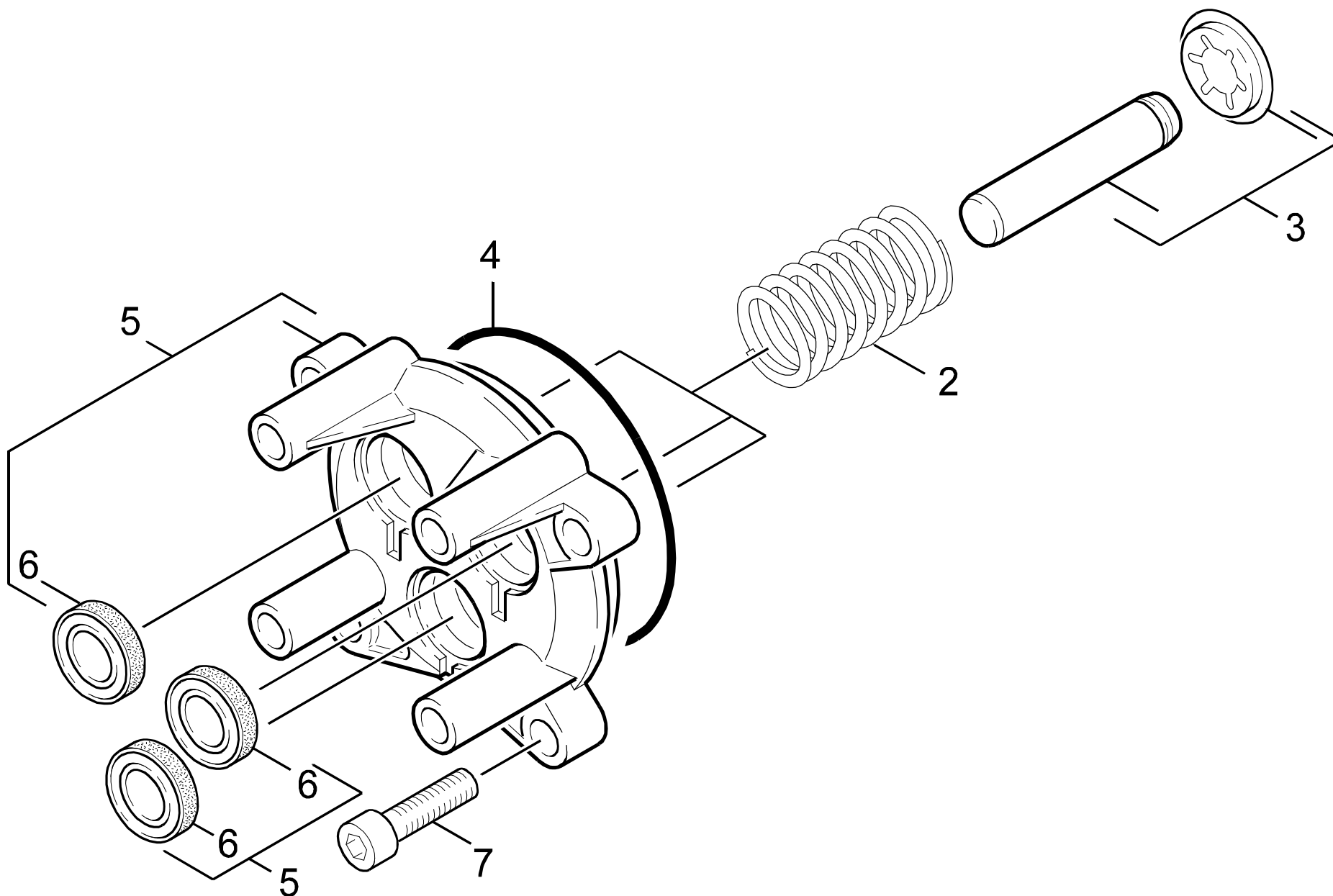
| POS.<br>ITM.<br>POS. | BENNENUNG<br>DESCRIPTION<br>DESIGNATION  | TEILE-NR.<br>PART-NO.<br>NO.PIECE | STCK<br>QTY.<br>NBR. |
|----------------------|--|-----------------------------------|----------------------|
| 1                    | FILTER MIT GEWICHT / FILTER / FILTRE   | 5.731-609.0                       | 1                    |
| 2                    | SCHLAUCH DN 5 / HOSE / TUYAU FLEXIBLE  | 6.388-216.0                       | 1                    |
|                      | <b>ALS METERWARE BESTELLEN/TO ORDER AS CUT<br/>GOODS/COMMANDE COMME MARCHANDISE AU METRE</b> |                                   |                      |
| 3                    | ET-SET CHEMIENIPPEL / SPARE PARTS SET / JEU DE PIECES<br>DECHANGE                            | 9.001-103.0                       | 1                    |
| 4                    | ET-SET STEUERKOPF / SPARE PARTS SET / JEU DE PIECES<br>DECHANGE                              | 9.001-104.0                       | 1                    |
| 5                    | 4KT-MUTTER M 4 / SQUARE NUT / ECROU CARRE  | 7.311-569.0                       | 1                    |
| 6                    | FORMDICHRING / SEAL RING / ANNEAU D'ETANCH.  | 9.081-404.0                       | 1                    |
| 7                    | STUETZSCHEIBE / SUPPORTING DISK / RONDELLE P.BAGUE<br>DE FREIN                               | 9.036-322.0                       | 3                    |
| 8                    | NUTRING / GROOVED RING / JOINT A LEVRES  | 6.362-875.0                       | 3                    |
| 9                    | FORMTEIL KPL. / MOULDED PART / PREFORME  | 9.001-110.0                       | 3                    |
| 10                   | ZYLINDERKOPFSET / ZYLINDERKOPFSET /<br>ZYLINDERKOPFSET                                       | 9.001-105.0                       | 1                    |
| 11                   | VENTILSET / VENTILSET / VENTILSET  | 9.001-149.0                       | 3                    |
| 12                   | VERBINDUNGSSTUECK / JOINING PIECE / PIECE DE<br>JUNCTION                                     | 9.001-106.0                       | 1                    |
| 13                   | DRUCKDECKEL / LID / COUVERCLE  | 9.042-018.0                       | 1                    |
| 14                   | ZYL.SCHR. M 8X 25 / CHEESE HEAD SCREW / VIS A TETE<br>CYLINDR.                               | 7.306-042.0                       | 4                    |
| 15                   | FEDER / SPRING / RESSORT   | 9.047-026.0                       | 1                    |
| 16                   | KAEFIG KPL. / CAGE / CAGE  | 9.001-107.0                       | 1                    |
| 17                   | INJEKTOR KPL. / INJECTOR / INJECTEUR   | 9.001-108.0                       | 1                    |
| 18                   | ET-SET / SPARE PARTS SET / JEU DE PIECES DECHANGE  | 9.001-187.0                       | 1                    |
| 18                   | ET-SET / SPARE PARTS SET / JEU DE PIECES DECHANGE  | 9.001-188.0                       | 1                    |
| 19                   | ANSCHLUSS 3/4" / CONNECTION / RACCORD  | 6.389-870.0                       | 1                    |
| 20                   | SCHLAUCHKUPPLUNG / HOSE COUPLING / RACCORD<br>POMPIERS                                       | 6.389-716.0                       | 1                    |

"=> xxxxxx" = bis Werknummer / up to serial No. / jusqu' au No. de fabr. / "xxxxxx =>" = ab Werknummer / from serial No. / a partir du No. de fabr. /

GRUPPE: 2.2 KOLBEN  
GROUP: 2.2 PISTON  
GRUPPE: 2.2 PISTON

D2

K 370



Symbolbeschreibung siehe M16 / symbol description see M16 / désignation de système voir M16 /



GRUPPE: 2.2 KOLBEN  
GROUP: 2.2 PISTON  
GRUPPE: 2.2 PISTON

E2

K 370

| POS. | BENNENUNG  | TEILE-NR.   | STCK |
|------|--|-------------|------|
| ITM. | DESCRIPTION  | PART-NO.    | QTY. |
| POS. | DESIGNATION  | NO.PIECE    | NBR. |
| 2    | FJŽDER / FJŽDER / FJŽDER                                       | 9.047-023.0 | 3    |
| 3    | KOLBEN KPL. / PISTON / PISTON                                  | 9.001-102.0 | 3    |
| 4    | O-RING 72X2 NBR70 / GASKET / BAQUE D'ETANCHEITE                | 9.081-373.0 | 1    |
| 5    | GERADSCHUBFUEHRUNG / HOUSING / BOITIER                         | 9.001-101.0 | 1    |
| 6    | NUTRING / GROOVED RING / JOINT A LEVRES                        | 6.964-026.0 | 1    |
| 7    | ZYL.SCHR. M 8X 25 / CHEESE HEAD SCREW / VIS A TETE<br>CYLINDR. | 7.306-042.0 | 4    |

"=> xxxxxx" = bis Werknummer / up to serial No. / jusqu' au No. de fabr. / "xxxxxx =>" = ab Werknummer / from serial No. / a partir du No. de fabr. /

GRUPPE: 3.0 MOTOR  
GROUP: 3.0 MOTOR  
GRUPPE: 3.0 MOTEUR

**A3**

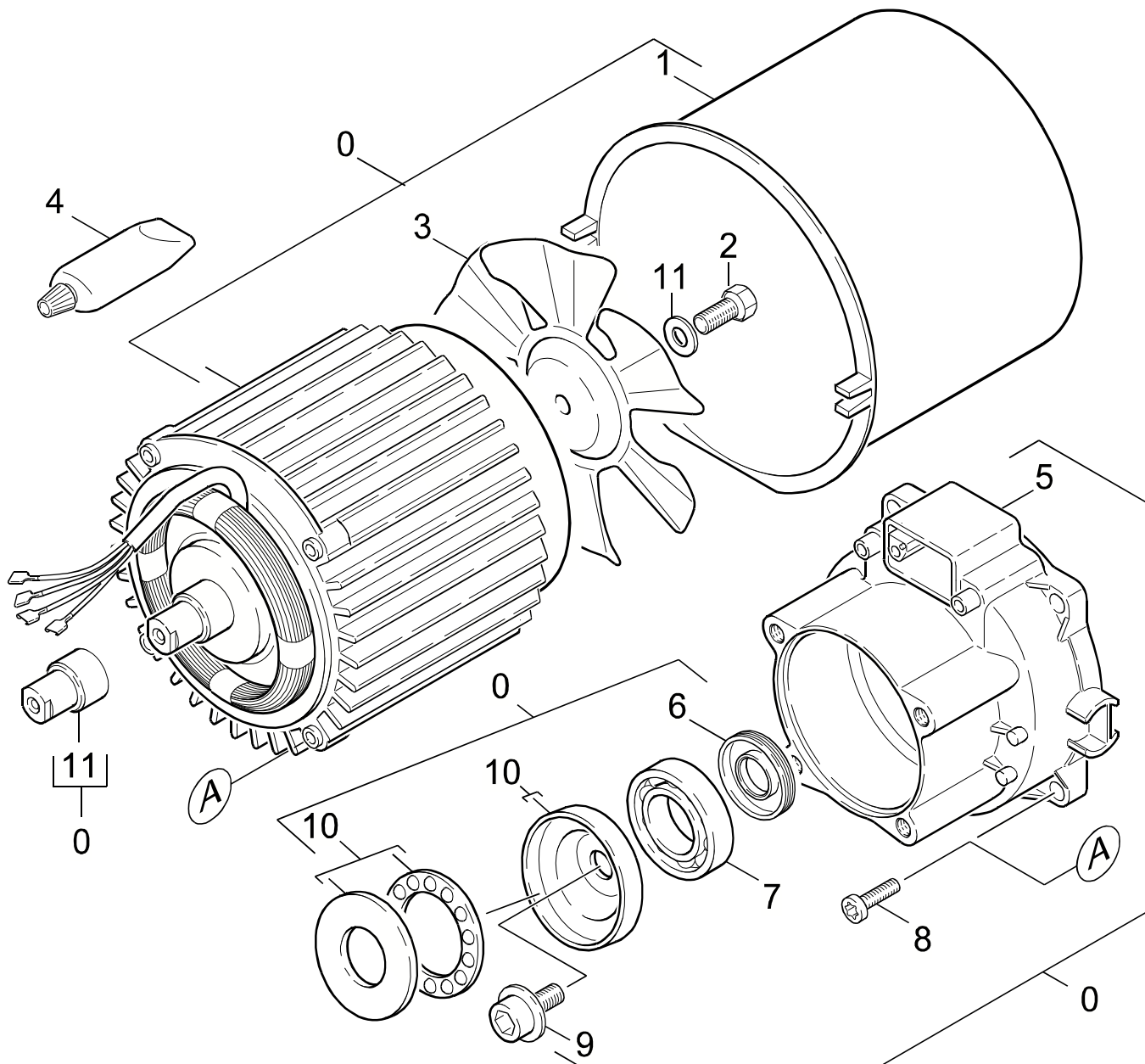
**K 370**

**GRUPPE: 3.0 MOTOR**  
**GROUP: 3.0 MOTOR**  
**GRUPPE: 3.0 MOTEUR**

GRUPPE: 3.0 MOTOR  
GROUP: 3.0 MOTOR  
GRUPPE: 3.0 MOTEUR

B3

K 370



Symbolbeschreibung siehe M16 / symbol description see M16 / désignation de système voir M16 /

GRUPPE: 3.0 MOTOR  
GROUP: 3.0 MOTOR  
GROUPE: 3.0 MOTEUR

C3

K 370

| POS.<br>ITM.<br>POS. | BENNENUNG<br>DESCRIPTION<br>DESIGNATION                   | TEILE-NR.<br>PART-NO.<br>NO.PIECE | STCK<br>QTY.<br>NBR. |
|----------------------|---|-----------------------------------|----------------------|
| 0                    | MOTOR 1300PSI / MOTOR / MOTEUR                            | 9.001-154.0                       | 1                    |
| 1                    | LUEFTERGEHAEUSE / FAN HOUSING / ENVELOPPE DE VENTILATEUR  | 6.964-090.0                       | 1                    |
| 2                    | 6KT-SCHRAUBE M8X16 / HEXAGONAL HEAD SCREW / VIS HEXAGONAL | 9.086-170.0                       | 1                    |
| 3                    | LUEFTERRAD / BLOWER WHEEL / ROUE DE VENTILATEUR           | 9.039-102.0                       | 1                    |
| 4                    | FLIESSFETT 50ML / FAT / GRAISSE                           | 6.964-092.0                       | 1                    |
| 5                    | LAGERSCHILD A / END PLATE / FLASQUE                       | 6.964-096.0                       | 1                    |
| 6                    | WELLENDICHTRING / ROTARY SHAFT SEAL / JOINT (ARBRE)       | 9.078-004.0                       | 1                    |
| 7                    | KUGELLAGER 6204 / BALL BEARING / ROULEMENT A BILLE        | 7.401-122.0                       | 1                    |
| 8                    | LINSENSCHR. M 5X20 / OVAL HEAD SCREW / VIS A TETE BOMBEE  | 9.086-153.0                       | 4                    |
| 9                    | SCHRAUBE M 8X 16 / SCREW / VIS                            | 9.086-169.0                       | 1                    |
| 10                   | TAUMELSCHIEBE / SWASH PLATE / DISQUE EN NUTATION          | 9.039-099.0                       | 1                    |
| 11                   | BUCHSE / BUSH / DOUILLE                                   | 9.036-387.0                       | 1                    |

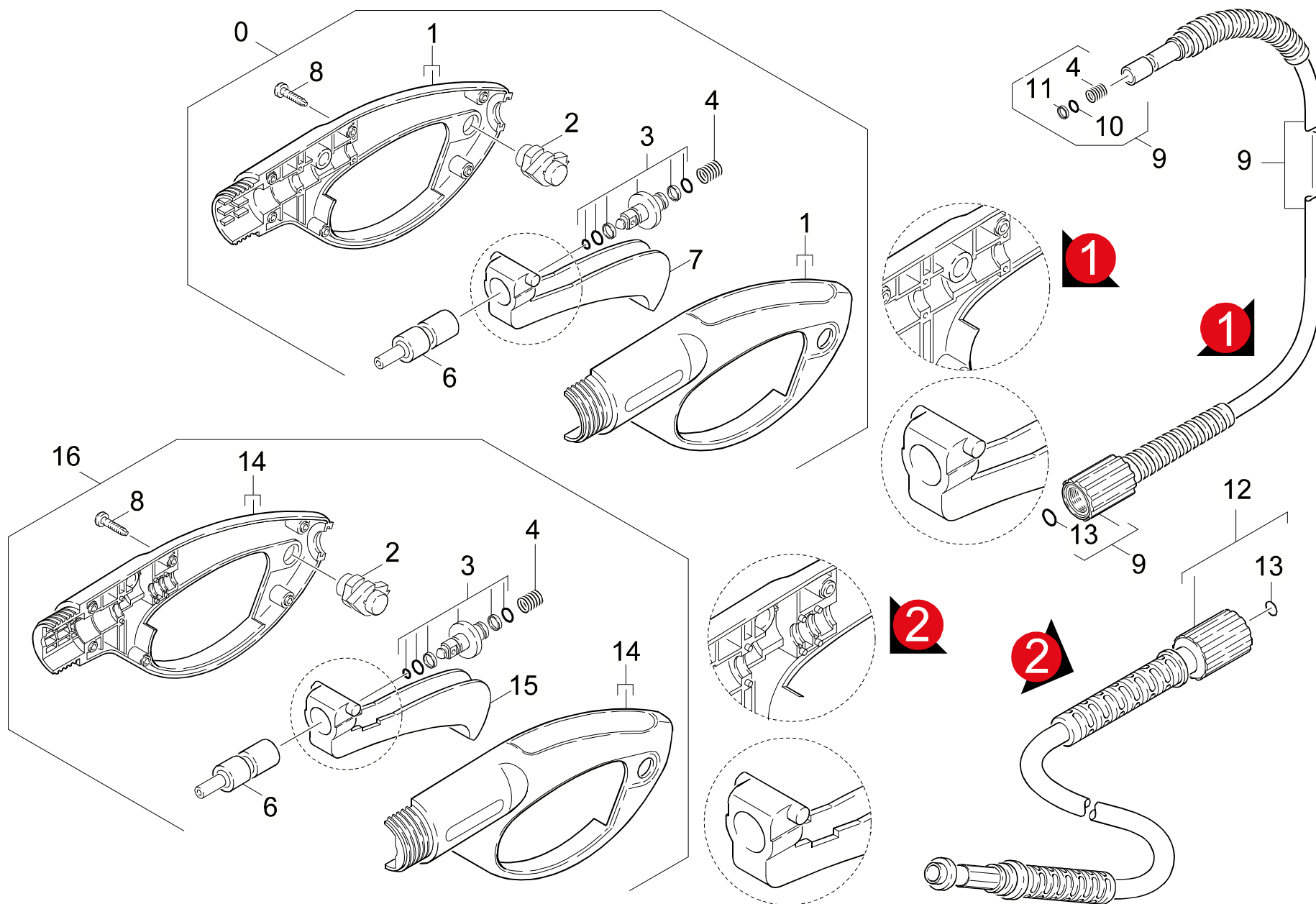
"=> xxxxxx" = bis Werknummer / up to serial No. / jusqu' au No. de fabr. / "xxxxxx =>" = ab Werknummer / from serial No. / a partir du No. de fabr. /

GRUPPE: 4.0 ZUBEHOER  
GROUP: 4.0 ACCESSORIES  
GRUPPE: 4.0 ACCESSOIRES

**A4**

**K 370**

**GRUPPE: 4.0 ZUBEHOER**  
**GROUP: 4.0 ACCESSORIES**  
**GRUPPE: 4.0 ACCESSOIRES**



Symbolbeschreibung siehe M16 / symbol description see M16 / désignation de système voir M16 /

GRUPPE: 4.1 HANDSPRITZPISTOLE  
GROUP: 4.1 TRIGGER GUN  
GROUPE: 4.1 POIGNEE PISTOLET

C4

K 370

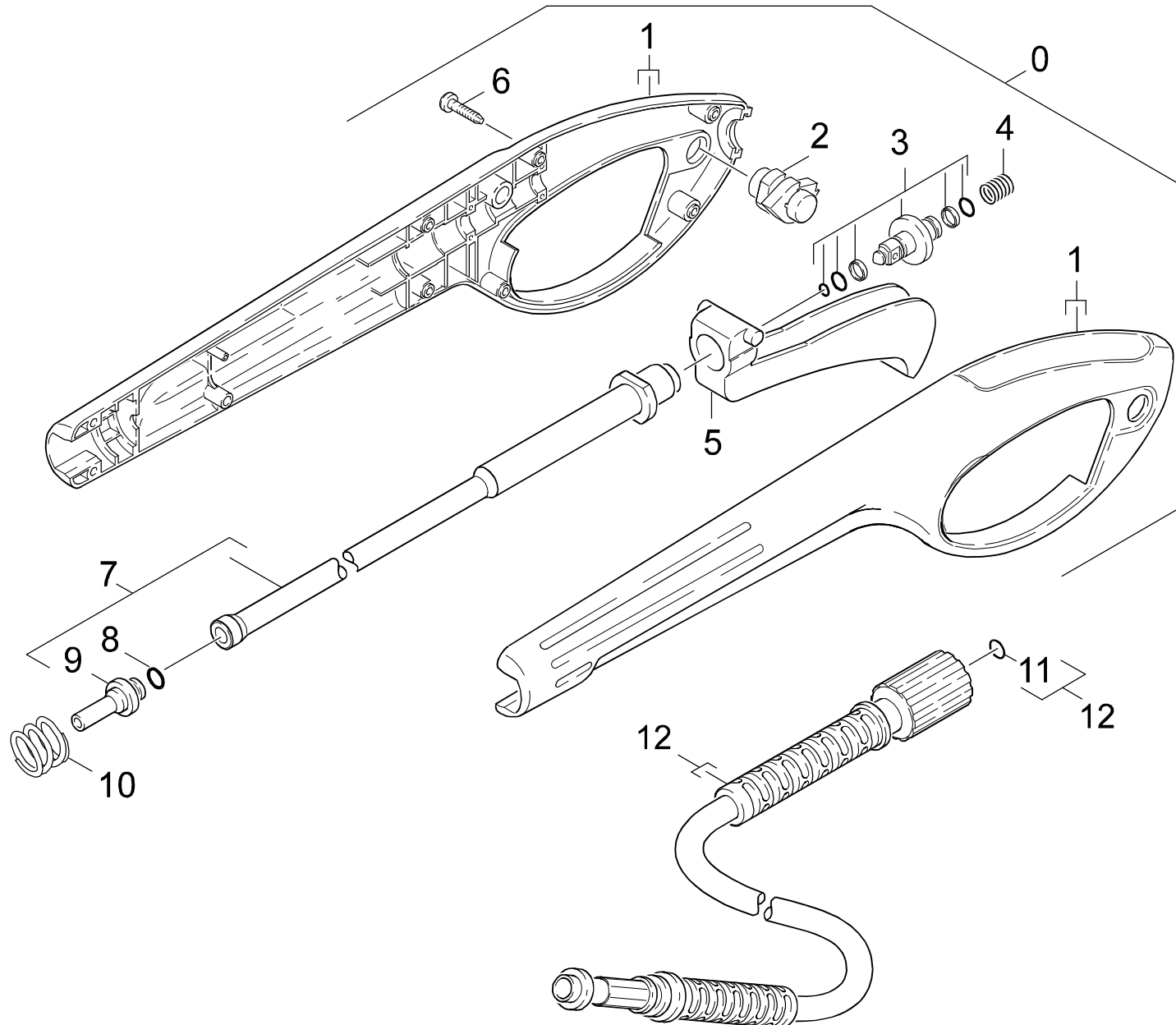
| POS.<br>ITM.<br>POS. | BENNENUNG<br>DESCRIPTION<br>DESIGNATION  | TEILE-NR.<br>PART-NO.<br>NO.PIECE | STCK<br>QTY.<br>NBR. |
|----------------------|--|-----------------------------------|----------------------|
| 0                    | PISTOLE 95 ERSATZ / PISTOL / PISTOLET<br><b>VERSION 1</b>                                | 4.775-271.0                       | 1                    |
| 1                    | GEHAEUSEPAAR PISTOL / HOUSING / BOITIER  | 9.036-120.0                       | 1                    |
| 2                    | FORMTEIL / MOULDED PART / PREFORME   | 6.964-044.0                       | 1                    |
| 3                    | BUECHSE KPL. / BUSH / DOUILLE  | 9.011-030.0                       | 1                    |
| 4                    | FEDER / SPRING / RESSORT   | 6.964-002.0                       | 1                    |
| 6                    | FORMTEIL / MOULDED PART / PREFORME   | 6.964-047.0                       | 1                    |
| 7                    | HEBEL / LEVER / LEVIER   | 6.964-048.0                       | 1                    |
| 8                    | LINSENSCHR. 4,2X 13 / OVAL HEAD SCREW / VIS A TETE BOMBEE                                | 6.303-122.0                       | 6                    |
| 9                    | HD-SCHLAUCH 7,5/140 / HIGH PRESSURE HOSE / TUYAU FLEXIBLE HAUTE PRE.<br><b>VERSION 1</b> | 9.005-002.0                       | 1                    |
| 10                   | O-RING 7,65X 1,78 / GASKET / BAQUE D'ETANCHEITE  | 9.080-014.0                       | 1                    |
| 11                   | STUETZRING / SUPPORTRING / BAGUE D'APPUI   | 9.079-004.0                       | 1                    |
| 12                   | HD-SCHLAUCH 7,5/130 / HIGH PRESSURE HOSE / TUYAU FLEXIBLE HAUTE PRE.<br><b>VERSION 2</b> | 9.082-057.0                       | 1                    |
| 13                   | ERSATZTEILSET / SPARE PARTS KIT / KIT DE PIECES  | 2.880-296.0                       | 1                    |
| 14                   | GEHAEUSEPAAR PI 95N / HOUSING / BOITIER  | 9.036-452.0                       | 1                    |
| 15                   | HEBEL / LEVER / LEVIER   | 5.481-159.0                       | 1                    |
| 16                   | PISTOLE 95 NEU ERSA / PISTOL / PISTOLET<br><b>VERSION 2</b>                              | 4.775-391.0                       | 1                    |

"=> xxxxxx" = bis Werknummer / up to serial No. / jusqu' au No. de fabr. / "xxxxxx =>" = ab Werknummer / from serial No. / a partir du No. de fabr. /

GRUPPE: 4.2 HANDSPRITZPISTOLE  
GROUP: 4.2 TRIGGER GUN  
GRUPPE: 4.2 POIGNEE PISTOLET

D4

K 370



Symbolbeschreibung siehe M16 / symbol description see M16 / désignation de système voir M16 /



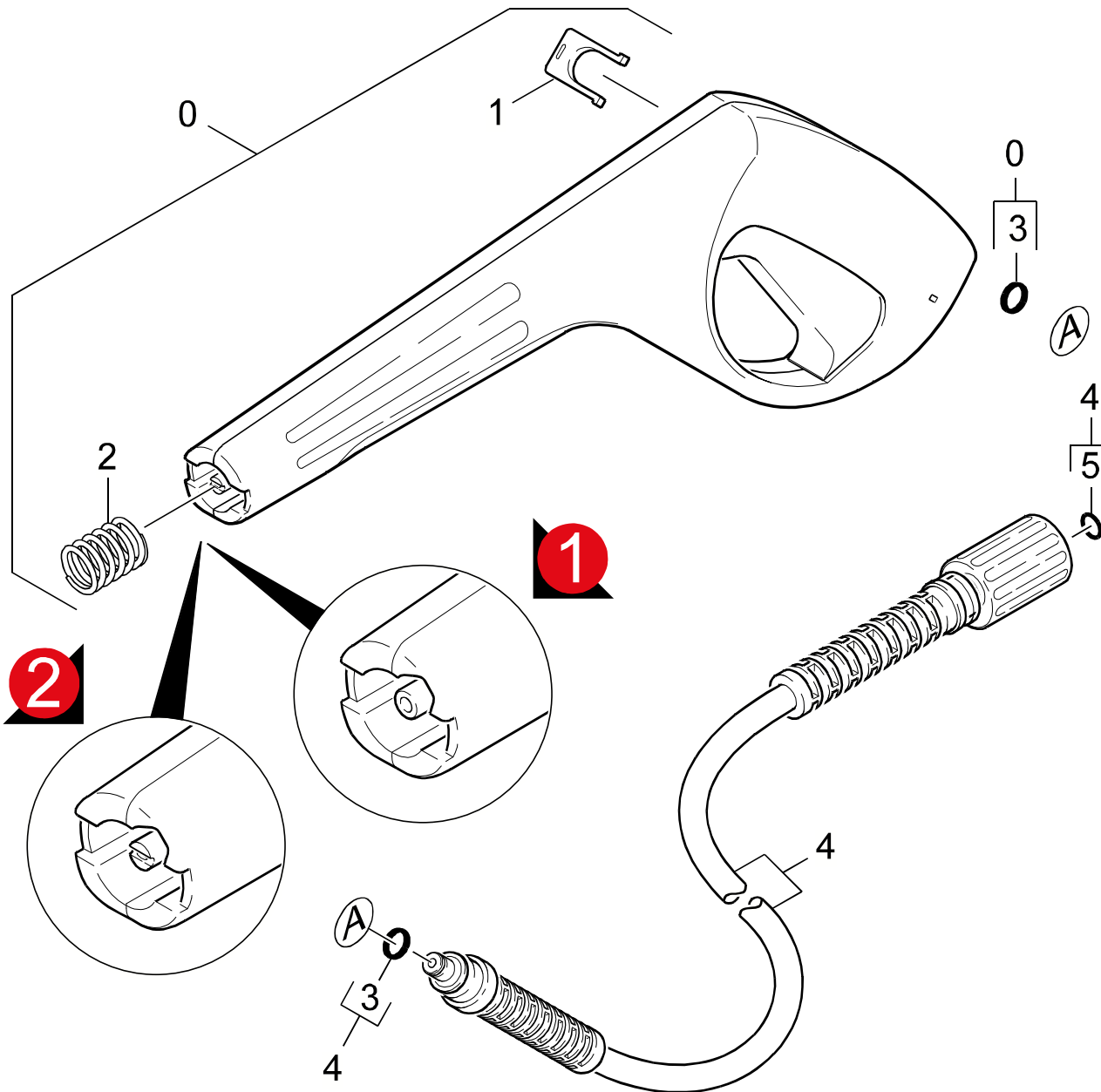
GRUPPE: 4.2 HANDSPRITZPISTOLE  
GROUP: 4.2 TRIGGER GUN  
GROUPE: 4.2 POIGNEE PISTOLET

E4

K 370

| POS.<br>ITM.<br>POS. | BENNENUNG<br>DESCRIPTION<br>DESIGNATION                                 | TEILE-NR.<br>PART-NO.<br>NO.PIECE | STCK<br>QTY.<br>NBR. |
|----------------------|---|-----------------------------------|----------------------|
| 0                    | PISTOLE 99 ERSATZ / PISTOL / PISTOLET                                   | 9.001-125.0                       | 1                    |
| 1                    | GRIFFSCHALE PAAR / HANDLE PART / POIGNEE                                | 9.036-408.0                       | 1                    |
| 2                    | FORMTEIL / MOULDED PART / PREFORME                                      | 6.964-044.0                       | 1                    |
| 3                    | BUCHSE KOMPLETT / BUSH / DOUILLE  | 9.011-402.0                       | 1                    |
| 4                    | FEDER / SPRING / RESSORT  | 6.964-002.0                       | 1                    |
| 5                    | HEBEL / LEVER / LEVIER  | 6.964-048.0                       | 1                    |
| 6                    | LINSENSCHR. 4,2X 13 / OVAL HEAD SCREW / VIS A TETE<br>BOMBEE            | 6.303-122.0                       | 8                    |
| 7                    | ROHR / PIPE / TUYAU   | 9.011-397.0                       | 1                    |
| 8                    | O-RING 7X2 NBR90 / GASKET / BAQUE D'ETANCHEITE                          | 6.362-898.0                       | 1                    |
| 9                    | VERBINDUNGSSTUECK / JOINING PIECE / PIECE DE<br>JONCTION                | 5.031-068.0                       | 1                    |
| 10                   | DRUCKFEDER / PRESSURE SPRING / RESSORT A PRESSION                       | 5.332-349.0                       | 1                    |
| 11                   | ERSATZTEILSET / SPARE PARTS KIT / KIT DE PIECES                         | 2.880-296.0                       | 1                    |
| 12                   | HD-SCHLAUCH 7,5/130 / HIGH PRESSURE HOSE / TUYAU<br>FLEXIBLE HAUTE PRE. | 9.082-057.0                       | 1                    |

"=> xxxxxx" = bis Werknummer / up to serial No. / jusqu' au No. de fabr. / "xxxxxx =>" = ab Werknummer / from serial No. / a partir du No. de fabr. /



Symbolbeschreibung siehe M16 / symbol description see M16 / désignation de système voir M16 /

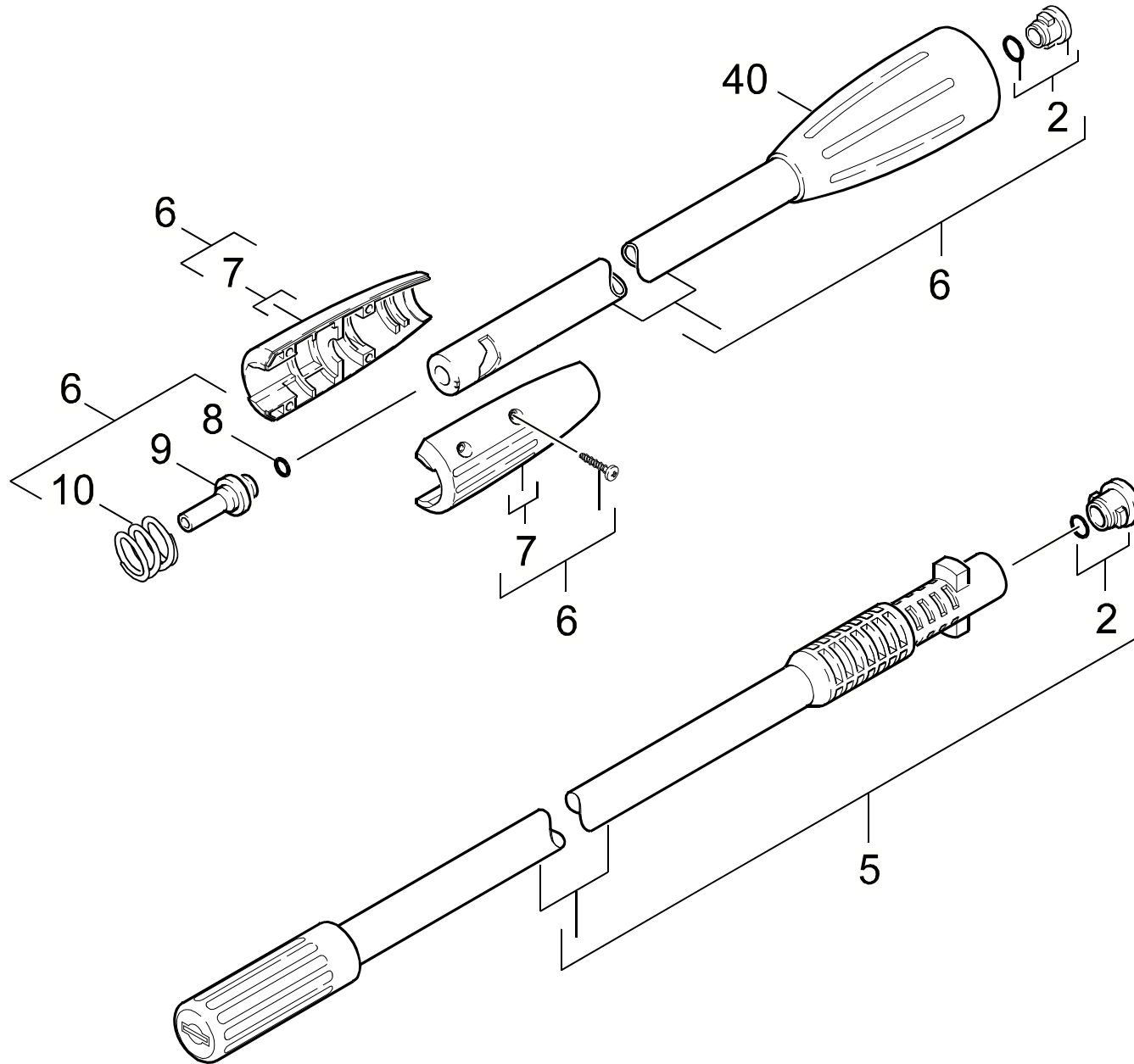
GRUPPE: 4.3 HANDSPRITZPISTOLE  
GROUP: 4.3 TRIGGER GUN  
GROUPE: 4.3 POIGNEE PISTOLET

G4

K 370

| POS. | BENNENUNG   | TEILE-NR.   | STCK |
|------|---|-------------|------|
| ITM. | DESCRIPTION   | PART-NO.    | QTY. |
| POS. | DESIGNATION   | NO.PIECE    | NBR. |
| 0    | PISTOLE-M V1 ERSATZ / PISTOLE-M V1 ERSATZ / PISTOLE-M V1 ERSATZ | 4.775-389.0 | 1    |
|      | <b>VERSION 1</b>  |             |      |
| 0    | PISTOLE-M V1 RM ERS / PISTOLE-M V1 RM ERS / PISTOLE-M V1 RM ERS | 4.775-423.0 | 1    |
|      | <b>VERSION 2</b>  |             |      |
| 1    | KLAMMER / CLAMP / BRIDE DE FIXATION                             | 5.037-137.0 | 1    |
| 2    | DRUCKFEDER / PRESSURE SPRING / RESSORT A PRESSION               | 5.332-464.0 | 1    |
| 3    | O-RING 6X2 / GASKET / BAQUE D'ETANCHEITE                        | 6.363-198.0 | 1    |
| 4    | HD-M-SCHL.7,5/14MPA / HD-M-SCHL.7,5/14MPA / HD-M-SCHL.7,5/14MPA | 6.390-499.0 | 1    |
| 5    | ERSATZTEILSET / SPARE PARTS KIT / KIT DE PIECES                 | 2.880-296.0 | 1    |

"=> xxxxxx" = bis Werknummer / up to serial No. / jusqu' au No. de fabr. / "xxxxxx =>" = ab Werknummer / from serial No. / a partir du No. de fabr. /



Symbolbeschreibung siehe M16 / symbol description see M16 / désignation de système voir M16 /

GRUPPE: 4.4 STRAHLROHR  
GROUP: 4.4 JET PIPE  
GROUPE: 4.4 LANCE D'INCENDIE

I4

K 370

| POS.<br>ITM.<br>POS. | BENNENUNG<br>DESCRIPTION<br>DESIGNATION                    | TEILE-NR.<br>PART-NO.<br>NO.PIECE | STCK<br>QTY.<br>NBR. |
|----------------------|--|-----------------------------------|----------------------|
| 2                    | ERSATZTEILSET / SPARE PARTS KIT / KIT DE PIECES            | 2.883-111.0                       | 4                    |
| 5                    | STRAHLROHR M.D.0287 / JET PIPE / LANCE D'INCENDIE          | 9.011-383.0                       | 1                    |
|                      | <b>VERSION 2 =&gt;</b>                                     |                                   |                      |
| 5                    | STRAHLROHR M.D.033 / JET PIPE / LANCE D'INCENDIE           | 9.011-435.0                       | 1                    |
|                      | <b>/ =&gt; VERSION 1</b>                                   |                                   |                      |
| 6                    | STRAHLROHRVERLAENG. / JET PIPE-LENGTHENING / LANCE-ALLONGE | 9.011-099.0                       | 1                    |
|                      | <b>/ =&gt; VERSION 1</b>                                   |                                   |                      |
| 7                    | GRIFFPAAR KPL. / HANDLES / BRANCHES POIGNEE                | 9.036-101.0                       | 1                    |
| 8                    | O-RING 7,0 X 2,0 / GASKET / BAQUE D'ETANCHEITE             | 6.362-690.0                       | 1                    |
| 9                    | VERBINDUNGSSTUECK / JOINING PIECE / PIECE DE JONCTION      | 5.031-068.0                       | 1                    |
| 10                   | DRUCKFEDER / PRESSURE SPRING / RESSORT A PRESSION          | 5.332-349.0                       | 1                    |
| 40                   | UEBERWURFMUTTER / UNION NUT / ECROU RACCORD                | 9.036-438.0                       | 1                    |

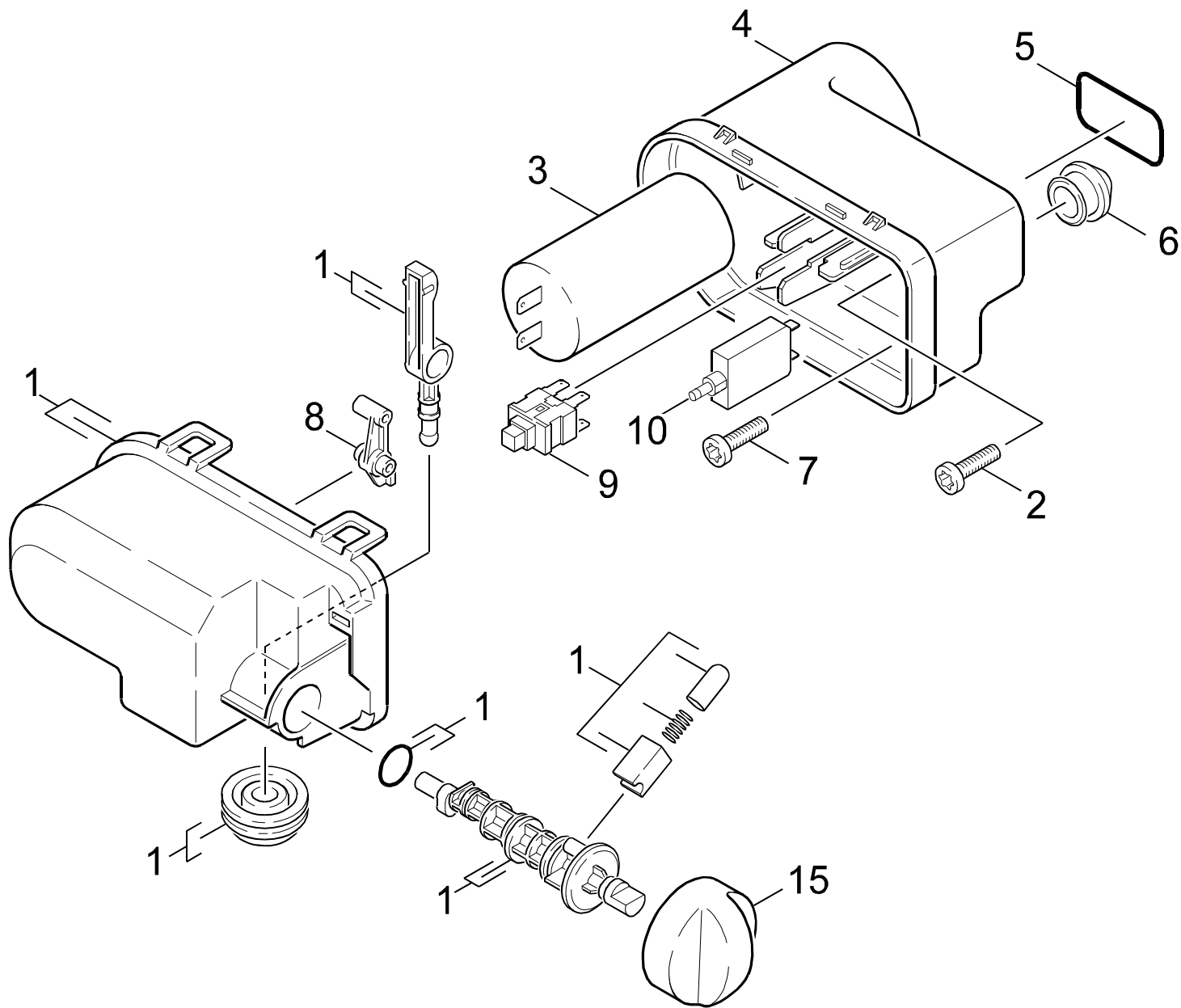
"=> xxxxxx" = bis Werknummer / up to serial No. / jusqu' au No. de fabr. / "xxxxxx =>" = ab Werknummer / from serial No. / a partir du No. de fabr. /

GRUPPE: 5.0 E-GERAETESCHRANK  
GROUP: 5.0 ELECTRIC CONTROL BOX  
GRUPPE: 5.0 COFFRET ELECTRIQUE

**A5**

**K 370**

**GRUPPE: 5.0 E-GERAETESCHRANK**  
**GROUP: 5.0 ELECTRIC CONTROL BOX**  
**GRUPPE: 5.0 COFFRET ELECTRIQUE**



Symbolbeschreibung siehe M16 / symbol description see M16 / désignation de système voir M16 /

GRUPPE: 5.0 E-GERAETESCHRANK  
GROUP: 5.0 ELECTRIC CONTROL BOX  
GROUPE: 5.0 COFFRET ELECTRIQUE

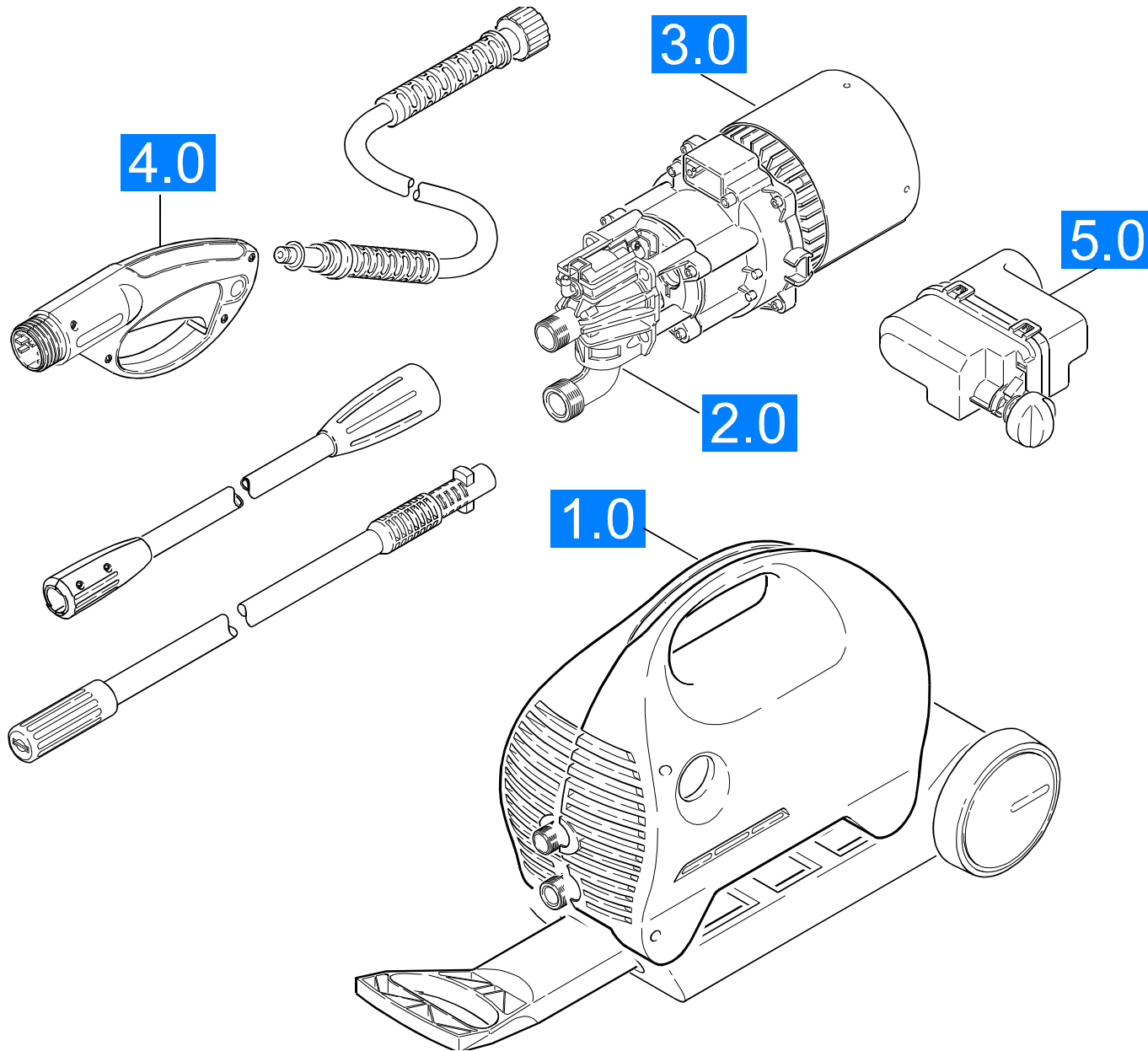
C5

K 370

| POS.<br>ITM.<br>POS. | BENNENNUNG<br>DESCRIPTION<br>DESIGNATION                   | TEILE-NR.<br>PART-NO.<br>NO.PIECE | STCK<br>QTY.<br>NBR. |
|----------------------|--|-----------------------------------|----------------------|
| 1                    | DECKEL E-KASTEN / COVER / COUVERCLE                        | 9.011-382.0                       | 1                    |
| 2                    | SCHRAUBE M 4X 10 / SCREW / VIS                             | 7.303-031.0                       | 1                    |
| 3                    | KONDENSATOR 60MUEF / CAPACITOR / CONDENSATEUR              | 6.661-196.0                       | 1                    |
| 4                    | GEHAEUSE E-KASTEN / HOUSING / BOITIER                      | 9.036-426.0                       | 1                    |
| 5                    | O-RING 33X2,62NBR70 / GASKET / BAQUE D'ETANCHEITE          | 6.362-870.0                       | 1                    |
| 6                    | DURCHFUEHR.TUELLE / BUSH / DOUILLE DE TRAVERSEE            | 9.048-011.0                       | 1                    |
| 7                    | LINSENSCHR. M 5X20 / OVAL HEAD SCREW / VIS A TETE BOMBEE   | 9.086-153.0                       | 2                    |
| 8                    | SCHALTER / SWITCH / INTERRUPTEUR                           | 9.036-381.0                       | 1                    |
| 9                    | SCHALTER 16A 3/4HF / SWITCH / INTERRUPTEUR                 | 9.085-034.0                       | 1                    |
| 10                   | MOTORSCHUTZSCHALTER / MOTOR PROT. SWITCH / RELAIS (MOTEUR) | 9.085-032.0                       | 1                    |
| 15                   | SCHALTKNOPF / SWITCH KNOB / BOUTON DE COMMANDE             | 9.036-351.0                       | 1                    |

"=> xxxxxx" = bis Werknummer / up to serial No. / jusqu' au No. de fabr. / "xxxxxx =>" = ab Werknummer / from serial No. / a partir du No. de fabr. /

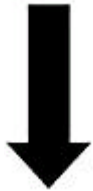




## Bestellhinweis

Bei Ihrer Bestellung sind unbedingt anzugeben :

| 1.   | 2.   | 3.                                      | 4.                                 | 5.                                 |
|--|--|---|------------------------------------|------------------------------------|
| Gerätetyp<br>Machine model<br>Type d'appareils | Herstell-Nr.<br>Serial-No.<br>No. de série | Benennung<br>Description<br>Désignation | Teile-Nr.<br>Part No.<br>Référence | Stückzahl<br>Piece No.<br>Quantité |



**siehe Typenschild  
see name-plate  
voir plaque signalétique**



**siehe Ersatzteilliste  
see spare parts list  
voir liste des pièces de rechange**

- Die Ersatzteile, welche als Meterware geliefert werden, sind auf Einbaulänge selbst zu kürzen. Ebenso sind die Stückzahlen in den jeweiligen Gruppen als Mindestbestellmengen = 1m angegeben und können je nach Bedarf auf weitere volle Meterzahlen erhöht und bestellt werden.
- Spare Parts which are delivered as cut goods have to be shortened to installation length. The quotation of quantity in each group refers to the minimum order quantity = 1m and may be ordered and raised to further full metre-values according to demand
- Les pièces de rechange qui sont livrées comme marchandise au mètre sont à raccourcir selon la longueur d'installation. Les indications de quantité dans chaque group se réfèrent à des valeurs de mètre de plus.
- Diese Ersatzteilliste erscheint in gedruckter Form sowie als Mikrofiche. Bei Querverweisen bezieht sich die Angabe "Seitenzahl" auf die gedruckte Ersatzteilliste und die Angabe "Bildtafel" auf die Mikrofichenausgabe.
- This spare parts list is published both in printed form and as a microfiche. In the cross-references, "page number" refers to the printed spare parts list and "display table" to the microfilm edition.
- Cette liste de pièces de rechange est aussi bien imprimée que publiée sous forme de microfiche. Les indications transversales renvoient au "numéro de page" sur la liste imprimée des pièces de rechange et à la "planche" sur la microfiche.

Bitte beachten Sie, daß der Teileumfang dieser Ersatzteilliste nicht unbedingt dem Lieferumfang Ihres Gerätes entspricht.

For your information: It could be that certain parts quoted in this spare parts list were not included with the machine delivery.

Pour votre information: il se peut que certaines pièces détachées mentionnées sur la liste ne vous aient pas été livrées avec l'appareil.

Die in dieser Ersatzteilliste nicht aufgeführten Einzelteile, bestellen Sie bitte direkt beim Vertragskundendienst des jeweiligen Herstellers.

Please order the individual parts not included in this assembly directly with the contract aftersales service of the manufacturer in question.

Veillez s'il vous plaît, commander les pièces détachées qui ne sont indiquées dans notre liste des pièces détachées, directement auprès du service après-vente des fabricants en question.

Bei Bestellung von lackierten Teilen, welche in der Ersatzteilliste nicht in verschiedenen Farben ausgewiesen sind, ist zusätzlich die Farbnummer oder Farbe mit anzugeben. Diese finden Sie auf dem Typenschild oder Farbschild Ihres Gerätes.

Upon ordering of varnished parts which are not mentioned in the spare parts list as parts with different colors, kindly additionally mention the number of the color. It can be seen on the type plate of the color plate of your machine.

Commandant des parts vernissés qui ne sont pas mentionnés comme parts avec une couleur différente dans la liste des pièces détachées, veuillez mentionner de plus le numéro de la couleur. Il se trouve sur la plaque signalétique ou la plaque de couleur de votre machine.

Auflistungen von Einzelteilen bei Ersatzteil - u. Pumpensets sind in der Reihe "16" einzusehen, bzw. direkt unter dem entsprechenden Set aufgelistet.

Listings of single parts upon spare parts kits and pump kits can be seen in row "16" or directly listed below the corresponding kit.  
Des établissements des pièces détachées en ce qui concerne les kits des pièces de rechange et les kits de pompes, peuvent être vus à la ligne "16" ou ils sont répertoriés directement au-dessous du jeu correspondant.

Technische Änderungen im Rahmen der Weiterentwicklung sowie das Recht der ausschließlichen Auswertung unseres geistigen Eigentums behalten wir uns vor. Vervielfältigung und Nachdruck nur mit Genehmigung und Urheberhinweis möglich.

We reserve the right to make technical changes in the course of development work and the right to make exclusive use of our intellectual property. This spare parts list may be duplicated or reprinted only with our approval and with acknowledgement of our copyright.

Nous nous réservons le droit de toutes modifications techniques dans le cadre du perfectionnement des mises au point ainsi que le droit de la mise en valeur exclusive de notre propriété intellectuelle. Polycopie et reproduction exclusivement après accord et avec mention de l'auteur.

|         |                             |       |
|---------|-----------------------------|-------|
| GRUPPE: | 1.0 EINZELTEILE             | A1-C1 |
| GROUP:  | 1.0 PIECE PARTS             |       |
| GRUPPE: | 1.0 PIECES CONSTITUANTES    |       |
| GRUPPE: | 2.0 PUMPENSATZ              | A2-E2 |
| GROUP:  | 2.0 PUMP SET                |       |
| GRUPPE: | 2.0 JEU (ENSEMBLE) DE POMPE |       |
| GRUPPE: | 3.0 MOTOR                   | A3-C3 |
| GROUP:  | 3.0 MOTOR                   |       |
| GRUPPE: | 3.0 MOTEUR                  |       |
| GRUPPE: | 4.0 ZUBEHOER                | A4-I4 |
| GROUP:  | 4.0 ACCESSORIES             |       |
| GRUPPE: | 4.0 ACCESSOIRES             |       |
| GRUPPE: | 5.0 E-GERAETESCHRANK        | A5-C5 |
| GROUP:  | 5.0 ELECTRIC CONTROL BOX    |       |
| GRUPPE: | 5.0 COFFRET ELECTRIQUE      |       |



BEISPIEL: VERSION 1  
EXAMPLE: VERSION 1  
EXEMPLE: VERSION 1

**3.0**

BEISPIEL: SIEHE IN GRUPPE 3  
EXAMPLE: SEE IN GROUP 3  
EXEMPLE: VOIR EN GROUPE 3



WICHTIGER HINWEIS  
IMPORTANT REMARK  
REMARCAQUAGE IMPORTANT

BESTELLHINWEIS SIEHE M15  
EXAMPLE ORDER SEE M15  
EXEMPLE DE COMMANDE VOIR M15

VARIANTENÜBERSICHT SIEHE L16  
VARIANTS SURVEY SEE L16  
VUE D'ENSEMBLE DE VARIANTS VOIR L16