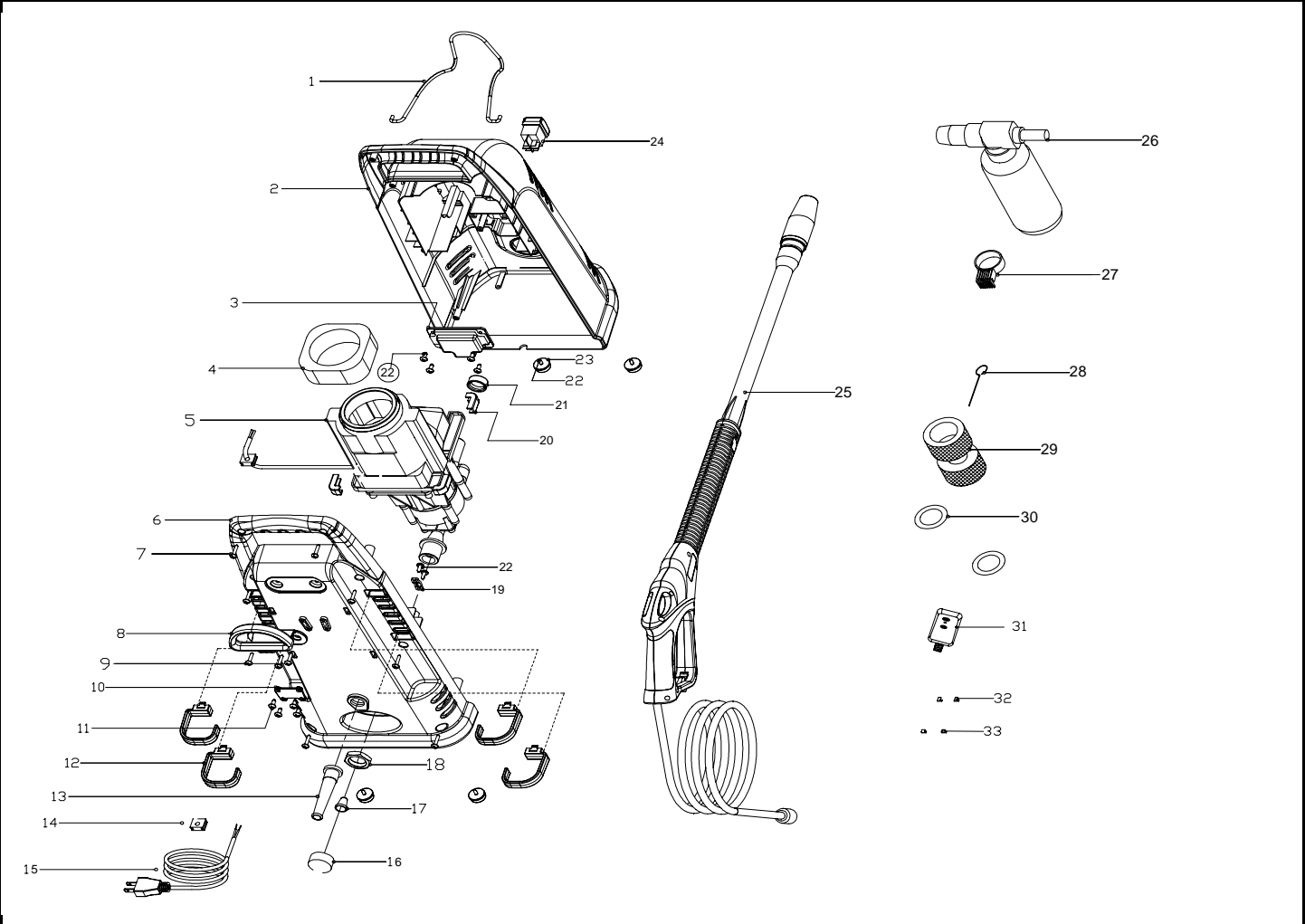




## SERVICE SPARE PARTS LIST

SPECIFY MODEL NO. WHEN ORDERING PARTS	DATE	
ELECTRIC HIGH PRESSURE WASHER		REVISED DATE
JENN FENG MODEL NO. FH140A MCCULLOCH MODEL NO. FH140A00UD	<b>30-Jan-07</b>	



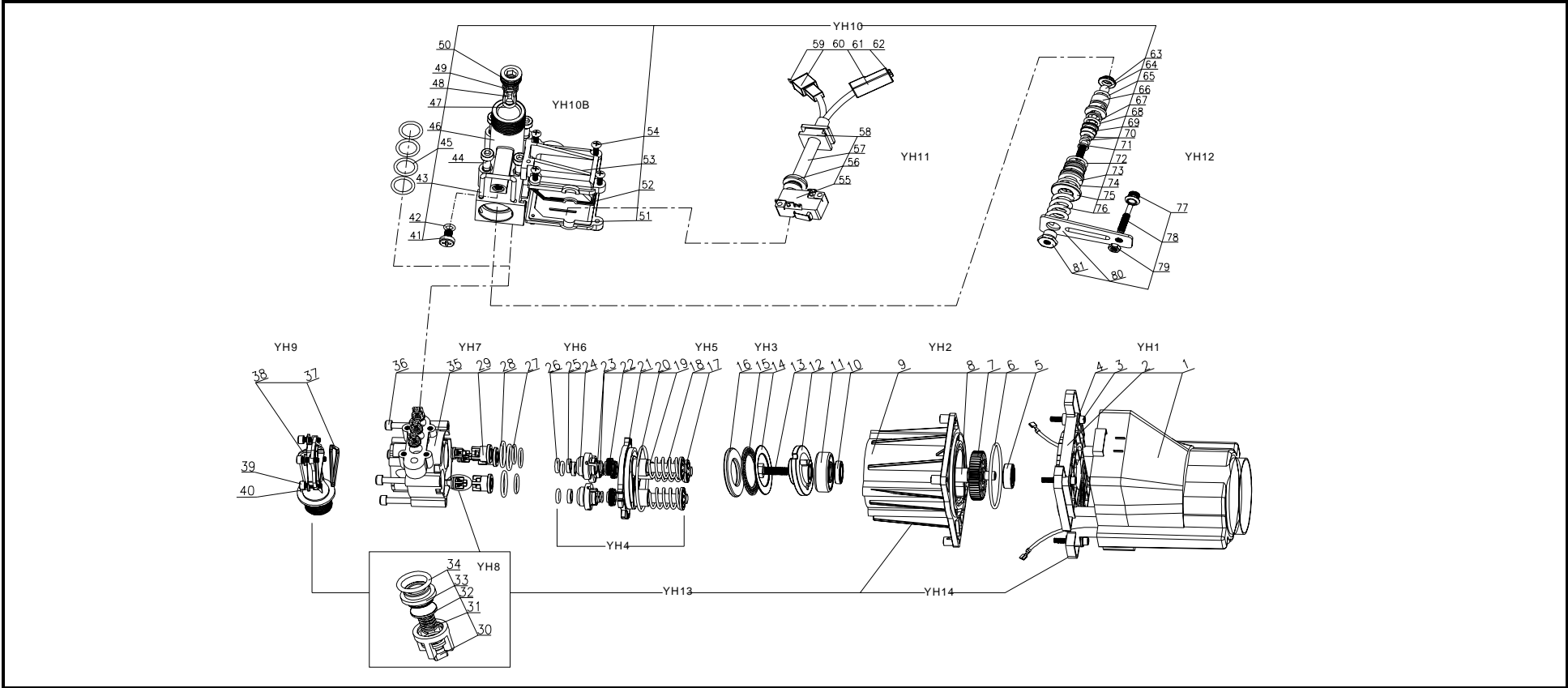
No.	Parts No.	Description	Q	No.	Parts No.	Description	Q
1	7004-140A02	IRON FRAME	1	18	7236-170A01	NUT	1
2	7003-140A01	REAR HOUSING	1	19	7043-140A01	CORD CLAMP	1
3	7017-140A01	PROTECTING COVER	1	20	7014-140A01	RUBBER PAD	4
4	7183-140A01	FILTER	1	21	7067-140A05	OUTLET CAP	1
5	A 7228-140D03	MOTOR & HIGH-PRESSURE PUMP ASS'Y	1	22	7SLABB04-12	SCREW	4
6	7003-140A02	FRONT HOUSING	1	23	7027-140A01	RUBBER FOOT	4
7	7SLABB04-20	SCREW	8	24	A 7022-140A02	SWITCH	1
8	A 7161-140A01	HOOK	1	25	A 7228-140B05	WASH MACHINE HAND ASS'Y	1
9	7SLABB04-16	SCREW	2	26	7228-140C03	WASHING JAR ASS'Y	1
10	7023-140A01	HOOK	1	27	7132-140A01	HOOK	1
11	7SDABB04-10	SCREW	10	28	A 6197-160A02	CLEANING PROBE	1
12	A 7004-140A01	FRAME	4	29	A 7154-180A01	CONNECTOR	1
13	6059-855001	CORD GUARD	1	30	A 7076-180001	WASHER	2
14	7059-140A03	WIRE PROTECTOR	1	31	A 7247-140A02	G.F.C.I.	1
15	7011-140A01	POWER CORD	1	32	6059-187-01	SLEEVE	2
16	7154-140A04	INLET CAP	1	33	7041-AT1401	Terminal	2
17	7183-140A02	FILTER	1				

A: SUGGESTED MAJOR PART FOR MAINTENANCE      B: NONRETAIL PART



# SERVICE SPARE PARTS LIST

SPECIFY MODEL NO. WHEN ORDERING PARTS		DATE	REVISED DATE
MOTOR & HIGH PRESSURE PUMP ASS'Y		30-Jan-07	N/A
MODEL NO.	7228-140D03		





**SERVICE SPARE PARTS LIST**

SPECIFY MODEL NO. WHEN ORDERING PARTS		30-Jan-07	REVISED DATE
MOTOR & HIGH PRESSURE PUMP ASS'Y			N/A
MODEL NO.	<b>7228-140D03</b>		

**CAN'T BUY NO. 1 ~ 81 SOLELY. (PLS. PURCHASE 7228-140D03 )**

No.	Parts No.	Description	Q	No.	Parts No.	Description	Q
1	7200-140001	MOTOR COVER	1	41	7200-140039	BLOT	1
2	<b>7200-140D01</b>	<b>MOTOR</b>	<b>1</b>	42	7200-140040	O RING	1
3	7200-140002	SCREW	4	<b>43</b>	<b>7200-140041</b>	<b>U-PIN</b>	<b>1</b>
4	<b>7200-140003</b>	<b>WASHER</b>	<b>4</b>	44	7200-140042	BOLT	4
5	7200-140004	BEARING	1	<b>45</b>	<b>7200-140043</b>	<b>O RING</b>	<b>4</b>
6	<b>7200-140005</b>	<b>GASKET</b>	<b>1</b>	46	7200-140044	OUTLET	1
7	7200-140006	GEAR	1	<b>47</b>	<b>7200-140045</b>	<b>O RING, VALVE WAND</b>	<b>1</b>
8	<b>7200-140007</b>	<b>GEAR SHAFT</b>	<b>1</b>	48	7200-140046	VALVE WAND	1
9	7200-140008	BASE, PUMP	1	<b>49</b>	<b>7200-140047</b>	<b>SPRING, VALVE WAND</b>	<b>1</b>
10	<b>7200-140009</b>	<b>SEAL</b>	<b>1</b>	50	7200-140048	PLUG SCREW, VALVE WAND	1
11	7200-140010	BEARING	1	<b>51</b>	<b>7200-140049</b>	<b>COVER, PLUG SEAT</b>	<b>1</b>
12	<b>7200-140011</b>	<b>CAM</b>	<b>1</b>	52	7200-140050	GASKET	1
13	7200-140012	SCREW	1	<b>53</b>	<b>7200-140051</b>	<b>PLUG SEAT, MICRO SWITCH</b>	<b>1</b>
<b>14-A</b>	<b>7200-140106</b>	<b>BEARING ASS'Y</b>	<b>1</b>	54	7200-140052	SCREW	4
<b>CAN'T BUY NO. 14 ~ 16 SOLELY. (PLS. PURCHASE NO.14-A )</b>				<b>55</b>	<b>7200-140B03</b>	<b>MICRO SWITCH</b>	<b>1</b>
<b>14</b>	<b>7200-140013</b>	<b>BEARING PLATE</b>	<b>1</b>	56	7200-140053	WIRE PROTECTOR	1
<b>15</b>	<b>7200-140014</b>	<b>ROLLER BEARING</b>	<b>1</b>	<b>57</b>	<b>7200-140054</b>	<b>WIRE, MICRO SWITCH</b>	<b>1</b>
<b>16</b>	<b>7200-140015</b>	<b>BEARING GASKET</b>	<b>1</b>	58	7200-140055	WIRE PROTECTOR	1
17	7200-140016	SPRING BASE, PLUNGER	3	<b>59</b>	<b>7200-140056</b>	<b>CONDUCTIVE PLATE</b>	<b>1</b>
<b>18</b>	<b>7200-140017</b>	<b>PLUNGER</b>	<b>3</b>	60	7200-140057	PROTECTOR	1
19	7200-140018	SPRING	3	<b>61</b>	<b>7200-140058</b>	<b>PROTECTOR</b>	<b>1</b>
<b>20</b>	<b>7200-140019</b>	<b>O RING</b>	<b>1</b>	62	7200-140059	TERMINAL	1
21	7200-140020	PLUNGER BASE	1	<b>63</b>	<b>7200-140060</b>	<b>COVER, STEEL BALL</b>	<b>1</b>
<b>22</b>	<b>7200-140021</b>	<b>SEAL</b>	<b>3</b>	64	7200-140061	STEEL BALL	1
23	7200-140022	O RING	6	<b>65</b>	<b>7200-140062</b>	<b>O RING</b>	<b>1</b>
<b>24</b>	<b>7200-140023</b>	<b>GUIDES SLEEVE</b>	<b>3</b>	66	7200-140063	COVER, OVERFLOW VALVE	1
25	7200-140024	WASHER	3	<b>67</b>	<b>7200-140064</b>	<b>GASKET, VALVE WAND</b>	<b>1</b>
<b>26</b>	<b>7200-140025</b>	<b>O RING</b>	<b>3</b>	68	7200-140065	O RING, OVERFLOW VALVE	1
27	7200-140026	O RING	3	<b>69</b>	<b>7200-140066</b>	<b>VALVE WAND</b>	<b>1</b>
<b>28</b>	<b>7200-140027</b>	<b>O RING</b>	<b>3</b>	70	7200-140067	O RING	2
29	7200-140028	CHECK VALVE DECK	3	<b>71</b>	<b>7200-140068</b>	<b>GASKET, VALVE POCKET</b>	<b>1</b>
<b>30</b>	<b>7200-140029</b>	<b>CHECK VALVE BRACKET</b>	<b>6</b>	72	7200-140069	O RING, VALVE POCKET	1
31	7200-140030	SPRING, CHECK VALVE	6	<b>73</b>	<b>7200-140070</b>	<b>VALVE POCKET, OVERFLOW VALVE</b>	<b>1</b>
<b>32</b>	<b>7200-140031</b>	<b>CHECK VALVE LEAD</b>	<b>6</b>	74	7200-140080	O RING, VALVE POCKET	1
33	7200-140032	CHECK VALVE CAP	6	<b>75</b>	<b>7200-140081</b>	<b>GASKET, VALVE POCKET</b>	<b>1</b>
<b>34</b>	<b>7200-140033</b>	<b>O RING, CHECK VALVE</b>	<b>6</b>	76	7200-140082	SPRING, OVERFLOW VALVE	1
35	7200-140034	PUMP	1	<b>77</b>	<b>7200-140083</b>	<b>CAP, SCREW ARBOR</b>	<b>1</b>
<b>36</b>	<b>7200-140035</b>	<b>SCREW, PUMP</b>	<b>4</b>	78	7200-140084	SCREW ARBOR	1
37	7200-140036	GASKET	1	<b>79</b>	<b>7200-140085</b>	<b>NUT, SCREW ARBOR</b>	<b>1</b>
<b>38</b>	<b>7200-140B02</b>	<b>PIPE</b>	<b>1</b>	80	7200-140086	ROD	1
39	7200-140037	BOLT	4	<b>81</b>	<b>7200-140087</b>	<b>NUT, ROD</b>	<b>1</b>
<b>40</b>	<b>7200-140038</b>	<b>WASHER</b>	<b>4</b>				

A: SUGGESTED MAJOR PART FOR MAINTENANCE      B: NONRETAIL PART

3/3