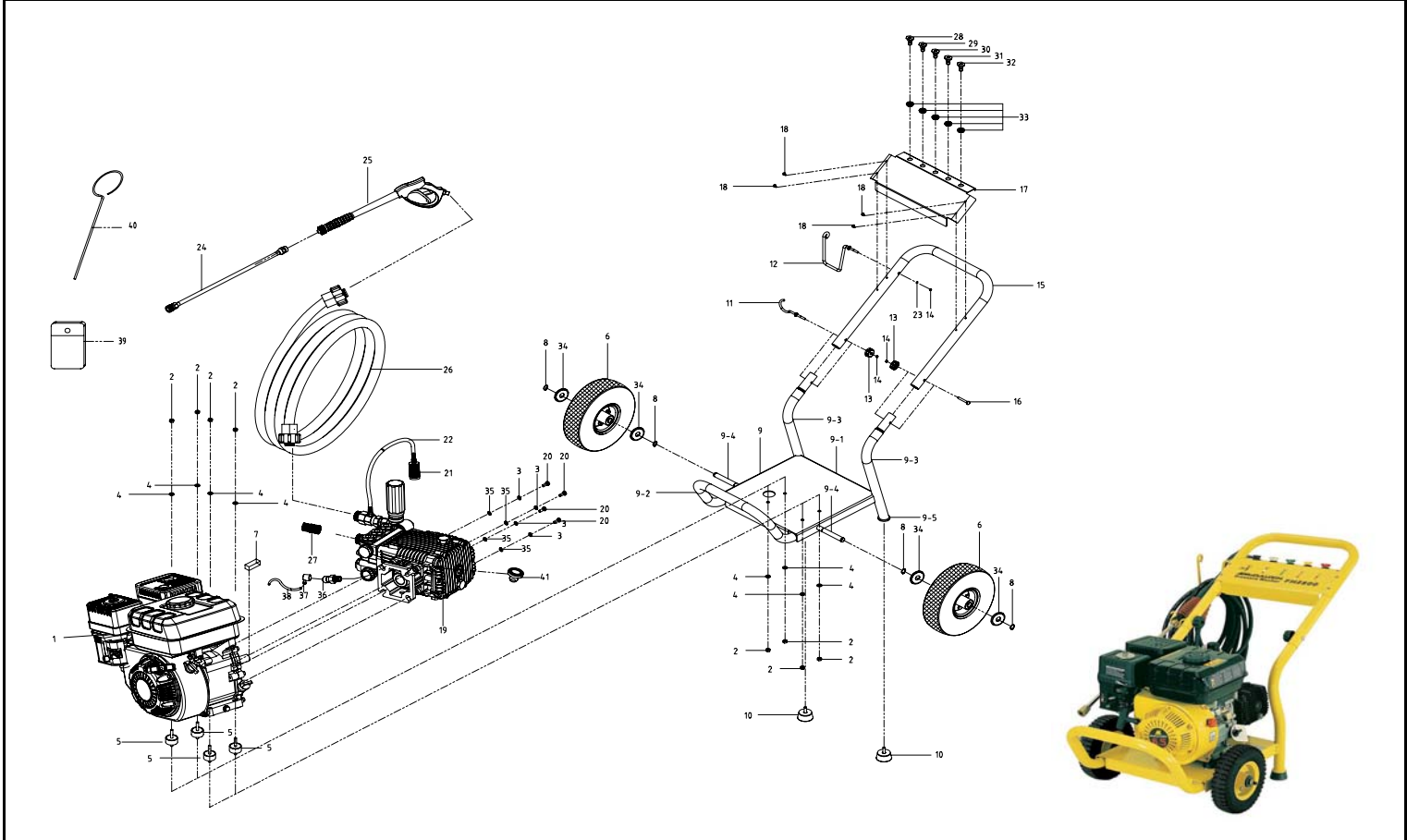




SERVICE SPARE PARTS LIST

SPECIFY MODEL NO. WHEN ORDERING PARTS GAS HIGH PRESSURE WASHER	DATE 7-Apr-06	REVISED DATE
JENN FENG MODEL NO. FH28000UD MCCULLOCH MODEL NO. FH2800 (NEW MODEL)		



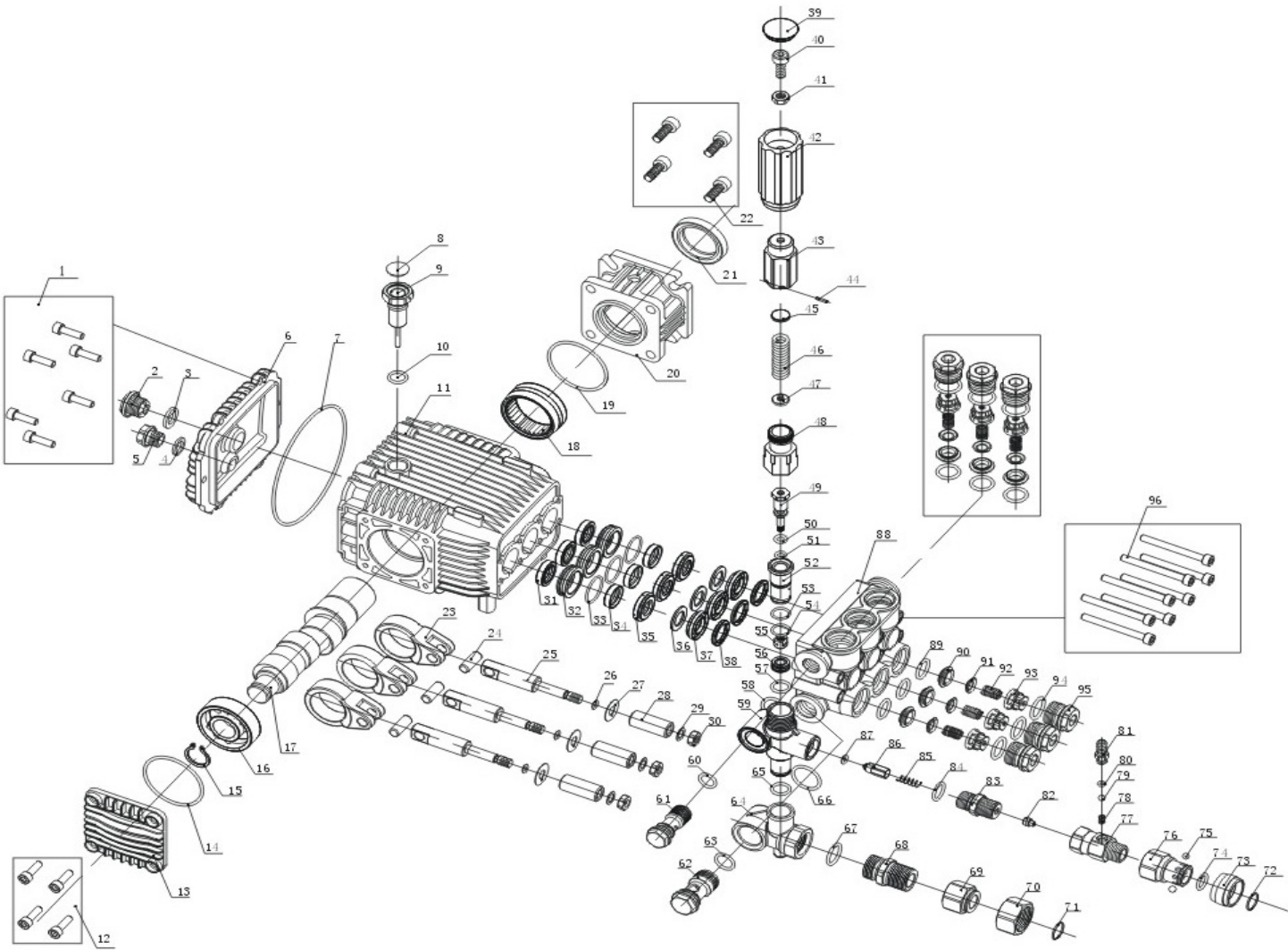
No.		Parts No.	Description	Q	No.		Parts No.	Description	Q
1		7099-270001	ENGINE ASS'Y	1	19		7297-270002	PUMP	1
2		7NGZ-08	NUT	8	20		7SXDZ-08-25	SCREW	4
3		7WSZ-08	SPRING WASHER	4	21	A	7182-250001	CLEANER FILTER	1
4		7WFZ-08-16	WASHER	8	22	A	7129-280005	TRANSPARENT HOSE	1
5		7027-250001	REDUCTION RUBBER	4	23		7WFZ-06-12	WASHER	1
6		7137-250001	WHEEL	2	24	A	7129-280001	HEAD GUN PIPE	1
7		7221-250001	KEY	1	25	A	7129-250006	HIGH PRESSURE GUN	1
8		7CC-16	C RING	4	26	A	7129-280006	HIGH PRESSURE HOSE	1
9		7269-250001	FRAME ASS'Y	1	27		7228-250001	WATER INLET	1
9-1	B	7072-250001	ENGINE PLANK	1	28	A	7126-250001	NOZZLE (BLACK)	1
9-2	B	7087-250001	FRONT FIX PIPE	1	29	A	7126-250002	NOZZLE (RED)	1
9-3	B	7087-250002	BACK FIX PIPE	2	30	A	7126-250003	NOZZLE (YELLOW)	1
9-4	B	7173-250001	WHEEL SHAFT	2	31	A	7126-250004	NOZZLE (GREEN)	1
9-5	B	7040-250002	PIPE FIX	2	32	A	7126-250005	NOZZLE (WHITE)	1
10		7040-250001	FRAME GASKET	2	33		7012-250001	RUBBER	5
11		7005-250003	GUN FIX FRAME (SMALL)	1	34		7014-250001	WHEEL SHAFT GASKET	4
12		7005-250002	GUN FIX FRAME (BIG)	1	35		7WFZ-08-24	WASHER	4
13		6056-230302	KNOB	2	36	A	7247-P22001	THERMAL VALVE	1
14		7NGZ-06	NUT	3	37		7059-270001	PROTECTOR, THERMAL VALVE	1
15		7068-250001	HANDLE	1	38		7129-270001	PIPE, THERMAL VALVE	1
16		7219-250A01	BOLT	1	39		7228-270001	SADDLEBAG	1
17		7072-250002	COVER PLANK	1	40		6197-160A02	PIN	1
18		7SGAZA5.5-19	SELF SCREW	4	41		6013-830001	HANDLE THREAD PROTECTOR	1

A: SUGGESTED MAJOR PART FOR MAINTENANCE B: NONRETAIL PART



SERVICE SPARE PARTS LIST

SPECIFY MODEL NO. WHEN ORDERING PARTS		DATE	REVISED DATE
PUMP		7-Apr-06	
MODEL NO.	7297-270002		





SERVICE SPARE PARTS LIST

SPECIFY MODEL NO. WHEN ORDERING PARTS		DATE	REVISED DATE
PUMP			
MODEL NO.	7297-270002	7-Apr-06	

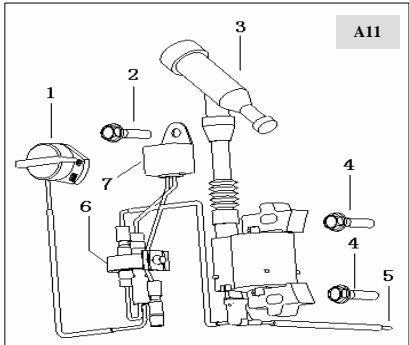
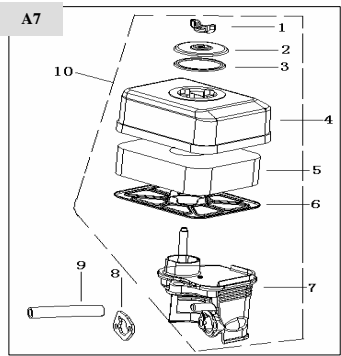
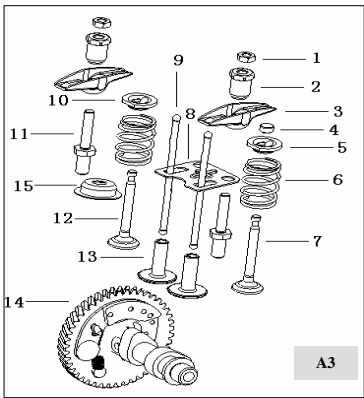
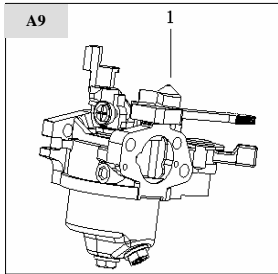
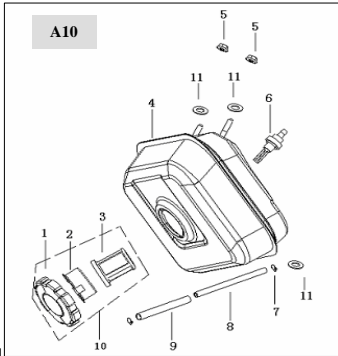
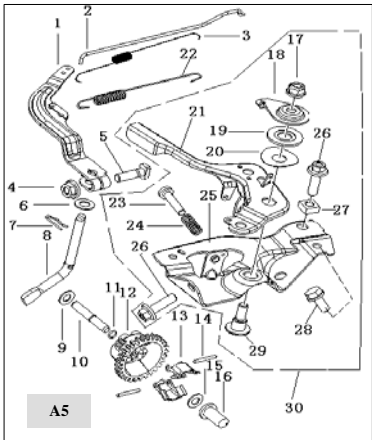
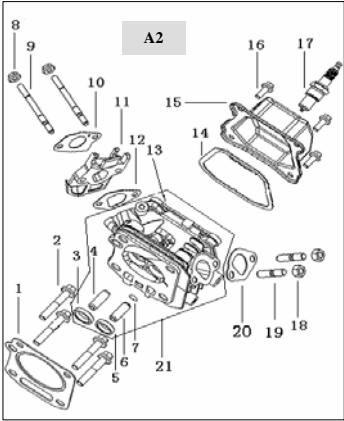
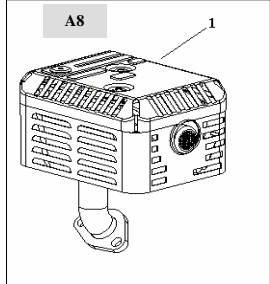
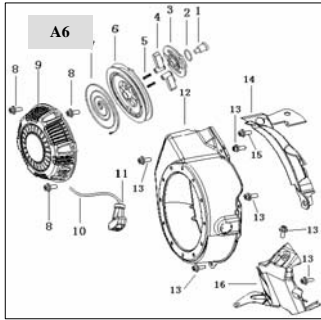
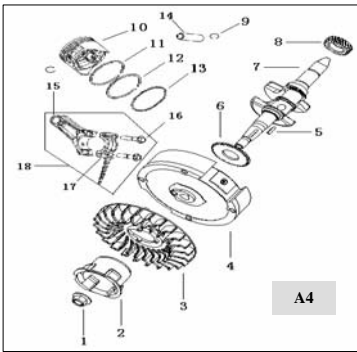
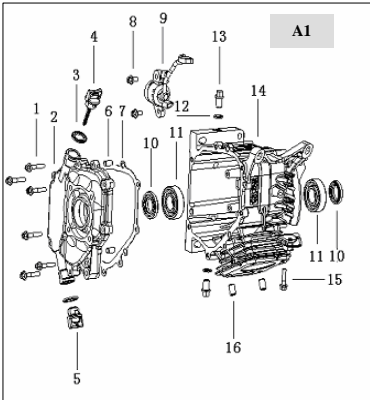
No.		Parts No.	Description	Q	No.		Parts No.	Description	Q
1		7125-280001	BOLT, COVER OF CRANK CASE	6	57	A	7125-280057	GASKET, VALVE SEAT	4
2		7125-280002	OIL GAUGE	1	58	A	7125-280058	GASKET, OUTLET TEE CONNECTOR	4
3		7125-280003	GASKET, OIL GAUGE	1	59	A	7125-280059	WATER OUTLET TEE CONNECTOR	1
4		7125-280004	GASKET, OIL DRAIN PLUG	1	60	A	7125-280060	GASKET, FIX BOLT	1
5		7125-280005	OIL DRAIN PLUG	1	61	A	7125-280061	FIX BOLT, OUTLET TEE CONNECTOR	1
6		7125-280006	CRANK CASE COVER	1	62	A	7125-280062	FIX BOLT, INLET TEE CONNECTOR	1
7		7125-280007	GASKET, COVER OF CRANK CASE	1	63	A	7125-280063	GASKET, INLET TEE CONNECTOR	1
8		7125-280008	COVER, OIL INLET PLUG	1	64	A	7125-280064	EATER INLET TEE CONNECTOR	1
9		7125-280009	CRANK CASE	1	65	A	7125-280065	GASKET, TWO TEE CONNECTOR	1
10		7125-280010	GASKET, OIL INLET PLUG	1	66	A	7125-280066	GASKET, INLET TEE CONNECTOR	1
11		7125-280011	CRANK CASE	1	67	A	7125-280067	GASKET, WATER INLET CONNECTOR	1
12		7125-280012	BOLT, CRANK SHAFT COVER	4	68	A	7125-280068	WATER INLET CONNECTOR	1
13		7125-280013	CRANK SHAFT COVER	1	69	A	7125-280069	SCREW CAP	1
14		7125-280014	GASKET, BEARING COVER	1	70	A	7125-280070	NUT	1
15		7125-280015	BEARING CLIP	1	71	A	7125-280071	CLIP	1
16		7125-280016	BALL BEARING	1	72	A	7125-280072	GASKET, 3/8 QUICK DISCONNECTION	1
17		7125-280017	CRANK SHAFT	1	73	A	7125-280073	COMPACTION CAP, QUICK DISCONNECTION	1
18		7125-280018	NEEDLE ROLLER BEARING	1	74	A	7125-280074	CLIP, QUICK DISCONNECTION	1
19		7125-280019	GASKET, BEARING COVER	1	75	A	7125-280075	STEEL BALL, QUICK DISCONNECTION	8
20		7125-280020	FLANGE	1	76	A	7125-280076	3/8 QUICK DISCONNECTION BODY	1
21		7125-280021	OIL SEAL, FLANGE	1	77	A	7125-280077	WASHING LIQUID SUCTION BODY	1
22		7125-280022	BOLT, FLANGE	4	78	A	7125-280078	SPRING, SUCTION BODY	1
23		7125-280023	CONNECTING ROD	3	79	A	7125-280079	BALL, SUCTION BODY	1
24		7125-280024	PLUNGER PIN	3	80	A	7125-280080	GASKET, SUCTION NOZZLE	1
25		7125-280025	PLUNGER ROD	3	81	A	7125-280081	SUCTION NOZZLE	1
26		7125-280026	GASKET, PLUNGER ROD	3	82	A	7125-280082	WATER SHOOTING TUBE	1
27		7125-280027	WATER CHECKING FLAKE	3	83	A	7125-280083	WATER OUTLET JOINT	1
28		7125-280028	CERAMIC PLUNGER	3	84	A	7125-280084	GASKET, WATER OUTLET JOINT	1
29		7125-280029	WASHER, PLUNGER FIX NUT	3	85	A	7125-280085	SPRING, WATER OUTLET CONE VALVE	1
30		7125-280030	PLUNGER FIX NUT	3	86	A	7125-280086	WATER OUTLET CONE VALVE	1
39	A	7125-280039	PRESSURE ADJUSTING HANDLE COVER	1	87	A	7125-280087	GASKET, WATER OUTLET CONE VALVE	1
40	A	7125-280040	PRESSURE ADJUSTING SCREW	1	31	A	7125-280031	PLUNGER OIL SEAL	3
41	A	7125-280041	FIX NUT, ADJUSTING SCREW	1	32	A	7125-280032	LOCATING RING	3
42	A	7125-280042	PRESSURE ADJUSTING HANDLE	1	33	A	7125-280033	GASKET, LOCATING RING	3
43	A	7125-280043	PRESSURE ADJUSTING SEAT	1	34	A	7125-280034	LOCATING RING WATER SEAL	3
44	A	7125-280044	FIX PIN	1	35	A	7125-280035	COMPACTION RING, WATER SEAL	3
45	A	7125-280045	UNDER WASHER, SPRING	1	36	A	7125-280036	COMPACTION FLAKE, WATER SEAL	3
46	A	7125-280046	PRESSURE ADJUSTING SPRING	1	37	A	7125-280037	U-PACKING	3
47	A	7125-280047	UPPER WASHER, SPRING	1	38	A	7125-280038	U-PACKING SEAT	3
48	A	7125-280048	PRESSURE ADJUSTING NUT	1	88	A	7125-280088	CYLINDER	1
49	A	7125-280049	WATER RETURN VALVE ROD	1	89	A	7125-280089	GASKET, CHOKE VALVE	6
50	A	7125-280050	GASKET, VALVE ROD	1	90	A	7125-280090	WASHER, CHOKE VALVE	6
51	A	7125-280051	INNER GASKET, VALVE JACKET	1	91	A	7125-280091	CHOKE VALVE STOPPER	6
52	A	7125-280052	WATER RETURN VALVE JACKET	1	92	A	7125-280092	SPRING, CHOKE VALVE	6
53	A	7125-280053	OUTER GASKET, VALVE JACKET	1	93	A	7125-280093	CHOKE VALVE BOX	6
54	A	7125-280054	OUTER GASKET, VALVE JACKET	1	94	A	7125-280094	GASKET, COMPACTION CAP	6
55	A	7125-280055	WATER RETURN VALVE CORE	1	95	A	7125-280095	CHOKE VALVE COMPACTION CAP	6
56	A	7125-280056	WATER RETURN VALVE SEAT	4	96	A	7125-280096	BOLT, CYLINDER	8

A: SUGGESTED MAJOR PART FOR MAINTENANCE B: NONRETAIL PART



SERVICE SPARE PARTS LIST

SPECIFY MODEL NO. WHEN ORDERING PARTS	DATE	REVISED DATE
ENGINE	7-Apr-06	
MODEL NO.	7099-270001	

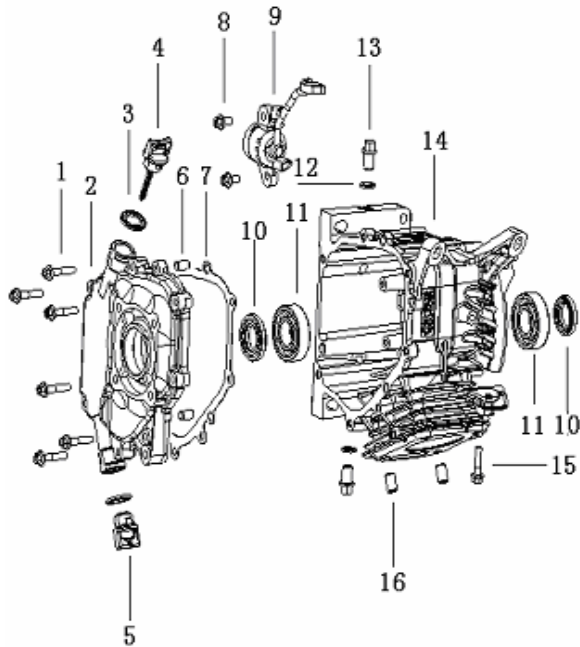


No.	Parts No.	Description	Q	No.	Parts No.	Description	Q
A1		CRANKCASE ASSY	1	A7		AIR CLEANER ASSY	1
A2		CYLINDER HEAD ASS'Y	1	A8		MUFFLER ASSY	1
A3		INTAKE & EXHAUST MECHANISM ASSY	1	A9		CARBURETOR ASSY	1
A4		BRACE & FLYING WHEEL ASS'Y	1	A10		FUEL TANK ASSY	1
A5		CENTRIFUGAL ADJUSTMENT ASSY	1	A11		IGNITION SYSTEM ASSY	1
A6		STARTING SET ASSY	1				

A: SUGGESTED MAJOR PART FOR MAINTENANCE B: NONRETAIL PART

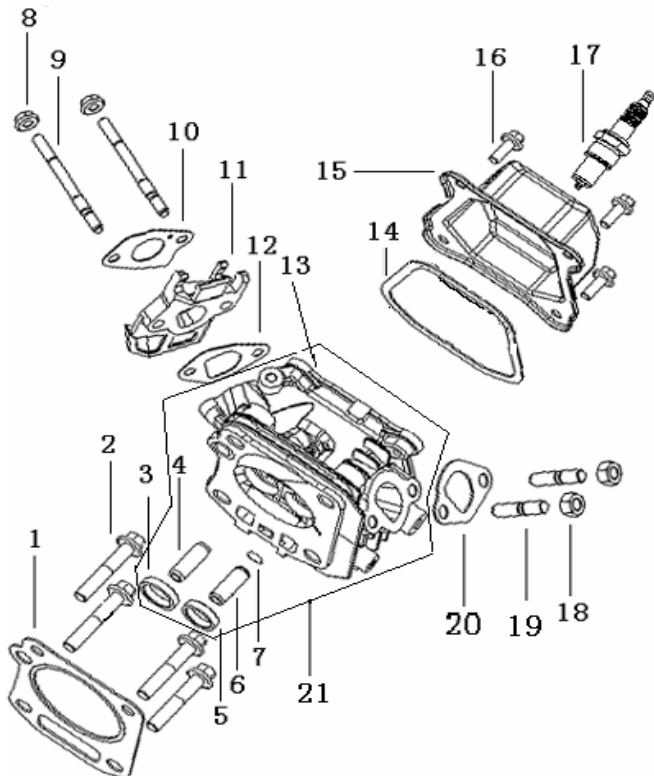


SPARE PARTS LIST



A1		CRANKCASE ASS'Y	
No.	Parts No.	Description	Q
1	0B01070803064	BOLT	6
2 & 11	014132K14F000	COVER, CRANKCASE	1
	0B12016620553	BEARING	2
3	A 026132K07F000	WASHER, SEAL	2
4	014216K07F000	GAUGE, ENGINE OIL	1
5	026131K07F000	COVER, SUPPLY OIL MOUTH	1
6	026218J01F000	GUIDE, DOWEL	2
7	A 026201K07F000	SPACER, CRANKCASE	1
8	0B01070601264	BOLT	2
9	A 026350K14F000	SENSOR ASSY, FUEL LEVEL	1
10	A 026133K07F000	OIL SEAL ASSY	2
11 & 14	0B12016620553	BEARING	2
	026001M05F001	CRANKCASE ASSY	1
12	026204L01F000	SPACER, DRAIN PLUG	2
13	026202L01F000	DRAIN PLUG	2
15	0B01090602564	BOLT	1
16	026208J01F000	GUIDE, DOWEL	2

A: SUGGESTED MAJOR PART FOR MAINTENANCE B: NONRETAIL PART



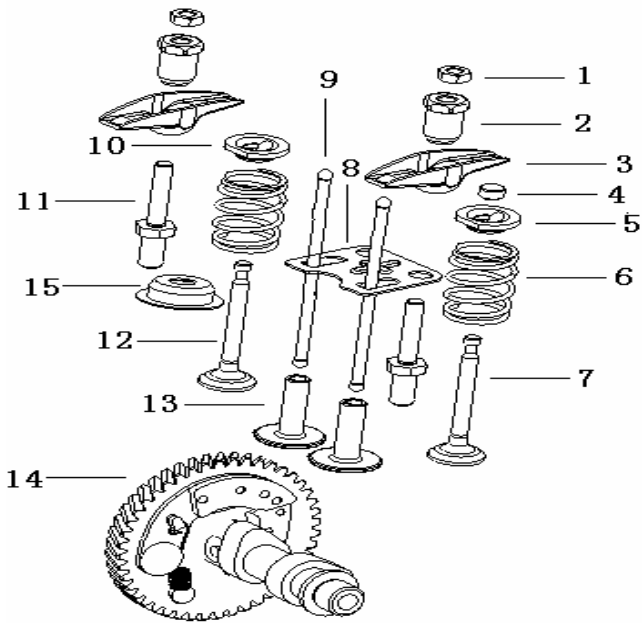
A2		CYLINDER HEAD ASS'Y	
No.	Parts No.	Description	Q
1	A 030707M02F000	SPACER ASSY, CYLINDER HEAD	1
2	0B01070806064	BOLT, CYLINDER HEAD	4
3	B 030110K07F000	RING, INTAKE VALVE	1
4	B 030109K07F000	CANAL, INTAKE VALVE	1
5	B 030206K07F000	RING, EXHAUST VALVE	1
6	B 030207K07F000	CANAL, EXHAUST VALVE	1
7	B 030216K07F000	WASHER, STOPPER	1
13	B 030501M02F000	CYLINDER HEAD	1
CAN'T BUY NO. 3-7, 13 SOLELY. (PLS PURCHASE NO. 21)			
21	030730M02F000	CYLINDER HEAD	1
8	0B04070610064	NUT	2
9	030520K07F000	BOLT, INTAKE PIPE	2
10	A 030715K07F000	SPACER	1
11	A 030516K07F000	MATTRESS, HEAT INSULATING	1
12	A 030715K07F001	SPACER	1
14	A 030702K07F000	SPACER, SEAL	1
15	A 030700K07F000	CLAPBOARD	1
16	0B01090601464	BOLT	4
17	A 030506G15F910	SPARK PLUG	1
18	0B04000812564	NUT	2
19	030521K07F000	BOLT, EXHAUST PIPE	2
20	A 036101K07F000	SPACER, EXHAUST PIPE	1

A: SUGGESTED MAJOR PART FOR MAINTENANCE B: NONRETAIL PART

REVISION	DATE
	7-Apr-06

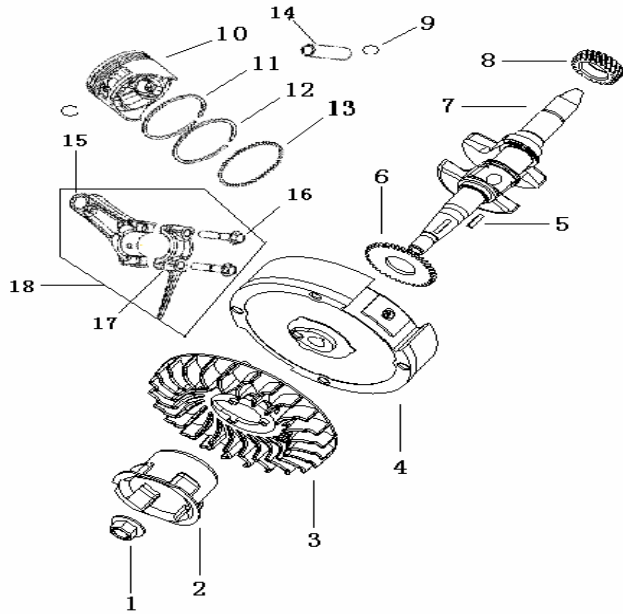


SPARE PARTS LIST



A3		INTAKE & EXHAUST MECHANISM ASS'Y	
No.	Parts No.	Description	Q
1	030302L01F000	ADJUSTING NUT, VALVE CLEARANCE	2
2	030313Q01F000	BUTTON, HEAD, ARM	2
3	030301K07F000	ARM	2
4	030214K07F000	CAP, EXHAUST DOOR ROD	1
5	030203K07F000	UPPER RETAINER, EXHAUST DOOR SPRING	1
6	030101K07F930	SPRING, VALVE	2
7	030201K07F000	VALVE, EXHAUST	1
8	030231K07F000	GUIDE PLATE, CONNECTING STUD	1
9	A 030230K07F000	ROD, CONNECTING	2
10	030106K07F000	UPPER RETAINER, INTAKE DOOR SPRING	1
11	030303Q01F930	ADJUSTING STUD, VALVE CLEARANCE	2
12	030103K07F000	VALVE, INTAKE	1
13	030312M02F000	STUD, CONNECTING	2
14	A 030400M02F000	CAMSHAFT	1
15	0151181C03000	OIL SEAL, VALVE	1

A: SUGGESTED MAJOR PART FOR MAINTENANCE B: NONRETAIL PART



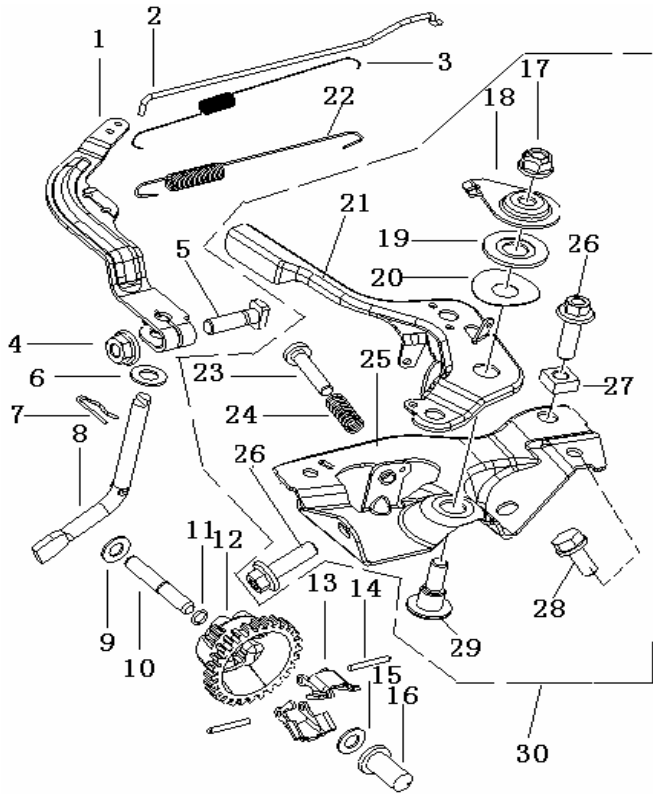
A4		BRACE & FLYING WHEEL ASS'Y	
No.	Parts No.	Description	Q
1	015230K07F000	NUT, CLAMP	1
2	017403K07F000	RATCHET WHEEL	1
3	034381K07F000	FAN	1
4	034309K07F000	FLYING WHEEL	1
5	A 015116Q01F000	KEY	1
6	015250K07F000	DRIVEN GEAR, ADJUSTING	1
7	015200M02FC00	BRACE	1
8	015232K07F000	GEAR, CRANKSHAFT TIMING	1
9	A 015106K07F000	CIRCLIP, PISTON PIN	2
10	A 015100M02F000	PISTON	1
11	B 015103K07F000	RING, FIRST	1
12	B 015104K07F000	RING, SECOND	1
CANT BUY NO. 11-12 SOLELY. (PLS PURCHASE NO. 13)			
13	A 015300K07F000	OIL RING ASSY	1
14	A 015105K07FF10	PIN, PISTON	1
15	B 015131K07F000	ROD, CONNECTING	1
16	B 015133L01F000	BOLT, CONNECTING ROD	2
17	B 015132K07F000	COVER, CONNECTING ROD	1
CANT BUY NO. 15-17 SOLELY. (PLS PURCHASE NO. 18)			
18	015130K07F000	CONNECTING ROD ASSY	1

A: SUGGESTED MAJOR PART FOR MAINTENANCE B: NONRETAIL PART

REVISION	DATE
	7-Apr-06

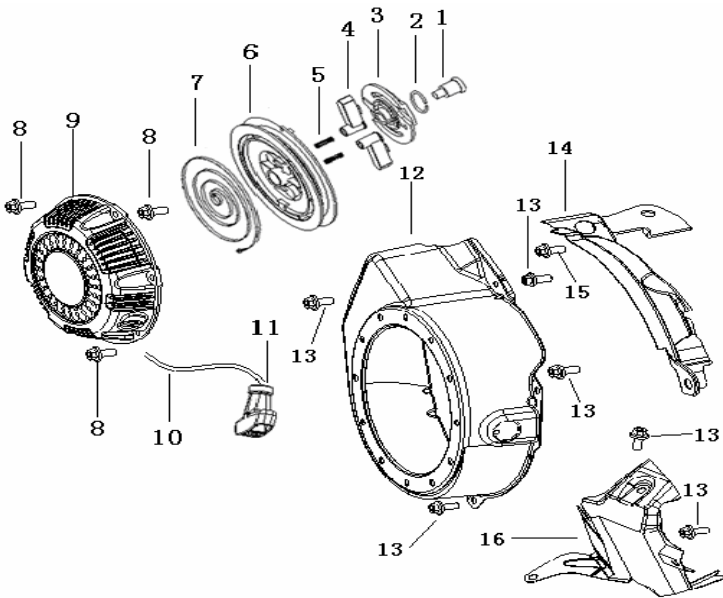


SPARE PARTS LIST



A5		CENTRIFUGAL ADJUSTMENT ASS'Y	
No.	Parts No.	Description	Q
1	017581K07F000	ARM	1
2	017594K07F000	ROD, TENSION	1
3	A 017593K07F000	SPRING 2, TENSION	1
4	0B04070610064	NUT	1
5	A 017589Q01F920	BOLT, SQUARE	1
6	017585K07F000	SPACER 2	1
7	017590Q01F000	CIRCLIP	1
8	017582K07F000	FORK	1
9	017584L01F000	SPACER 1	1
10	017627K07F000	PIN	1
11	026146L01F000	CIRCLIP	1
12-16	017587K07F000	ADJUSTMENT, CENTRIFUGAL	1
	017588K07F000	BLOCK, CENTRIFUGAL	2
	017591K07F000	PIN	2
	017586K07F000	SPACER 3	1
	017583K07F000	COVER, PUSH ROD	1
17-21 & 23-25 & 27-30	017507K07F000	NUT	1
	017575K07F000	CLAMP, ARM	1
	017562K07F000	SPACER, NYLON	1
	017521K07F000	SPACER, SPRING	1
	017520K07F000	HANDLE, OPERATION	1
	0B02010502562	SCREW	1
	017555K07F000	PRESS SPRING, ADJUST	1
	017552K07F000	PLATE, BACK	1
	0B01090602064	BOLT	2
	017523K07F000	SEAT, BOLT	1
	0B01090601064	BOLT	2
	017556K07F000	SPINDLE, HANDLE	1
017550K07F000	HANDLE ASSY	1	
22	017592K07F000	SPRING 1, TENSION	1
26	0B01090602064	BOLT	2

A: SUGGESTED MAJOR PART FOR MAINTENANCE B: NONRETAIL PART



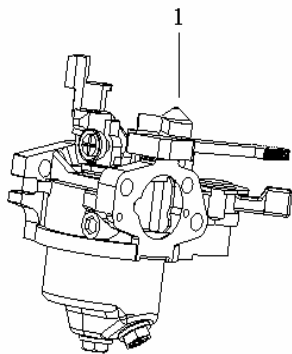
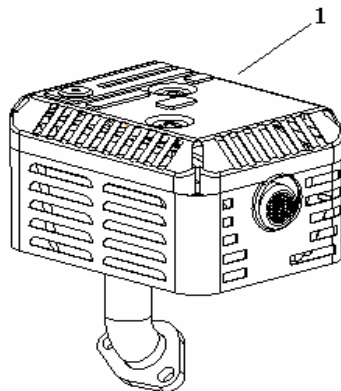
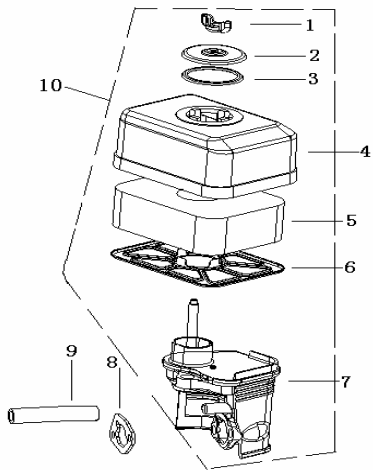
A6		STARTING SET ASSY	
No.	Parts No.	Description	Q
1-11	017180K07F000	SCREW	1
	017156K07F000	CIRCLIP	1
	017157K07F000	PLATE, GUIDE	1
	017158K07F000	BLOCK, CLUTCH	2
	017162K07F000	SPRING, PRESSURE	2
	017155K07F000	TABLE, ROTARY	1
	020801K04F000	CLOCKWORK SPRING	1
	0B01090608064	BOLT	3
	017170K14F001	COVER, STARTING	1
	017160K07F000	ROPE, STARTING	1
	017159K07F000	HANDLE	1
12	017187K07F000	COWLING	1
13	0B01090601064	BOLT	6
14	017176K07F000	PLATE 1, DIVERSION	1
15	0B01090601464	BOLT	1
16	017178K07F001	PLATE 2, DIVERSION	1

A: SUGGESTED MAJOR PART FOR MAINTENANCE B: NONRETAIL PART

REVISION	DATE
	7-Apr-06



SPARE PARTS LIST



A7		AIR CLEANER ASS'Y		
No.		Parts No.	Description	Q
1	B	037203 K07F000	NUT	1
2	B	037201 K07F000	CLAMP	1
3	B	037202 K07F000	SEAL, CLAMP	1
4	B	037101K17F000	COVER, AIR CLEANER	1
5	B	037102 K07F000	CORE, FILTERING	1
6	B	037103K07F000	PLATE, HOLE	1
7	B	037300 K07F000	COVER, UPPER BODY	1
CANT BUY NO. 1-7 SOLELY. (PLS PURCHASE NO. 10)				
10	A	037000 K17F000	AIR CLEANER	1
8	A	037113K07F000	SEAL, AIR CLEANER	1
9	A	026400K07F000	COLLOID PIPE	1

A: SUGGESTED MAJOR PART FOR MAINTENANCE B: NONRETAIL PART

A8		MUFFLER ASSY		
No.		Parts No.	Description	Q
1	A	036000M13F000	MUFFLER ASSY	1

A: SUGGESTED MAJOR PART FOR MAINTENANCE B: NONRETAIL PART

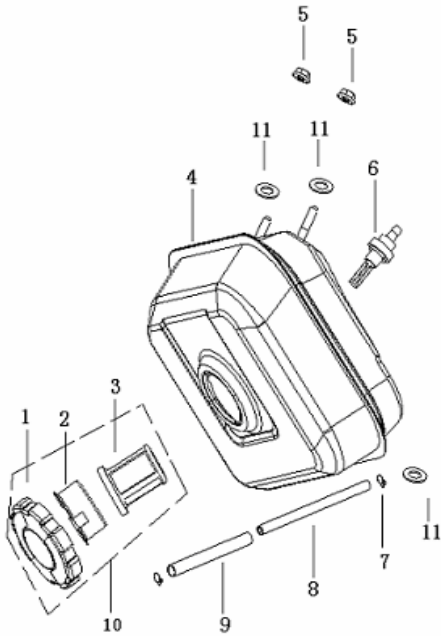
A9		CARBURETOR ASS'Y		
No.		Parts No.	Description	Q
1	A	032500M02F000	CARBURETOR ASSY	1

A: SUGGESTED MAJOR PART FOR MAINTENANCE B: NONRETAIL PART

REVISION	DATE
	7-Apr-06

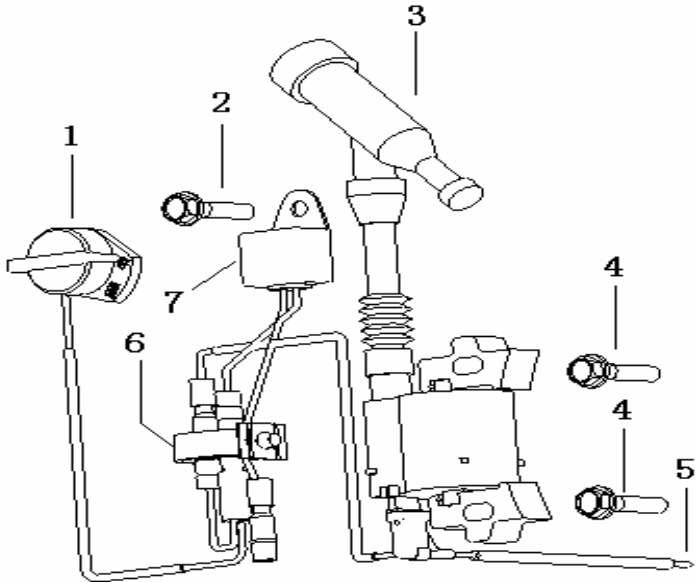


**SPARE PARTS
LIST**



A10		FUEL TANK ASSY		
No.		Parts No.	Description	Q
1	B	032137K07F000	PLASTIC COVER	1
2	B	032138K07F000	BRACKET	1
3	B	032139K07F000	FILTER NET	1
CANT BUY NO. 1-3 SOLELY. (PLS PURCHASE NO. 10)				
10	A	032133K07F000	COVER ASSY, FUEL TANK	1
4	A	032104K17F000	FUEL TANK ASSY	1
5		0B04000612564	NUT	2
6	A	032145K07F000	VITTA TIE-IN ASSY	1
7		032134H03F000	CIRCLIP	2
8	A	032135K07F000	HOSE, OIL	1
9		032238K07F000	JACKET	1
11	A	036002B00Y000	SILENT BLOCK	3

A: SUGGESTED MAJOR PART FOR MAINTENANCE B: NONRETAIL PART



A11		IGNITION SYSTEM ASSY		
No.		Parts No.	Description	Q
1	A	034500K14F000	SWITCH ASSY, IGNITION	1
2		0B01070600864	BOLT	1
3 & 5	A	034350K07F000	WINDING ASSY, IGNITION	1
		034509K07F000	CONNECTING WIRE ASSY	1
4		0B01090602563	BOLT	2
6		017558K14F000	CLIP	1
7	A	026450Q01F000	ELECTRONIC SWITCH	1

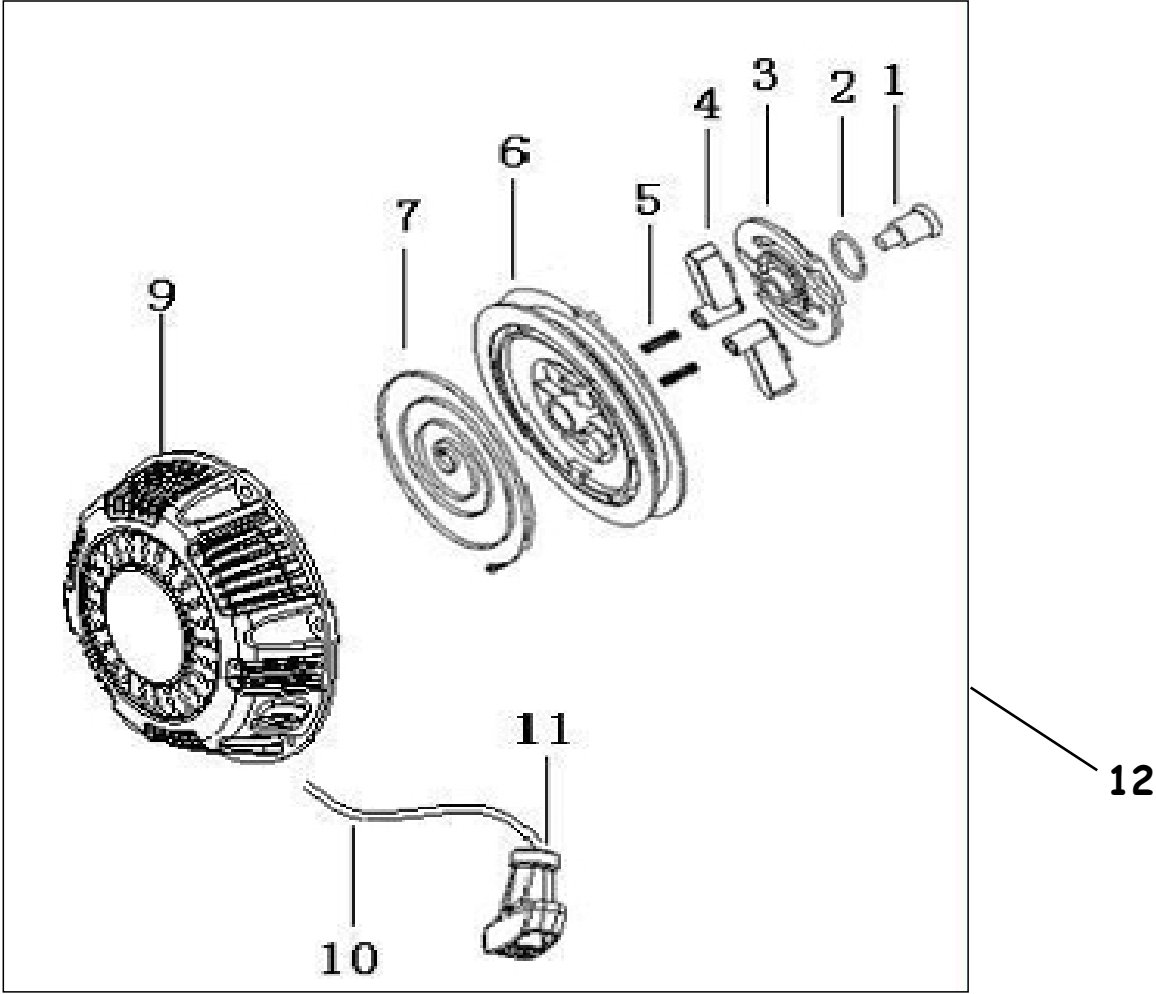
A: SUGGESTED MAJOR PART FOR MAINTENANCE B: NONRETAIL PART

REVISION	DATE
	7-Apr-06



SERVICE SPARE PARTS LIST

SPECIFY MODEL NO. WHEN ORDERING PARTS		DATE	REVISED DATE
STARTER COIL ASS'Y		7-Apr-06	
MODEL NO.	7228-EG3003		



No.		Parts No.	Description	Q	No.		Parts No.	Description	Q
1	B	017180K07F000	SCREW	1	8	B	0B01090608064	BOLT	3
2	B	017156K07F000	CIRCLIP	1	9	B	017170K14F001	COVER, STARTING	1
3	B	017157K07F000	PLATE, GUIDE	1	10	B	017160K07F000	ROPE, STARTING	1
4	B	017158K07F000	BLOCK, CLUTCH	2	11	B	017159K07F000	HANDLE	1
5	B	017162K07F000	SPRING, PRESSURE	2	CAN'T BUY NO. 1-11 SOLELY. (PLS PURCHASE NO. 12)				
6	B	017155K07F000	TABLE, ROTARY	1	12	A	7228-EG3003	STARTER ASSY	1
7	B	017152K07F000	CLOCKWORK SPRING	1					

A: SUGGESTED MAJOR PART FOR MAINTENANCE B: NONRETAIL PART