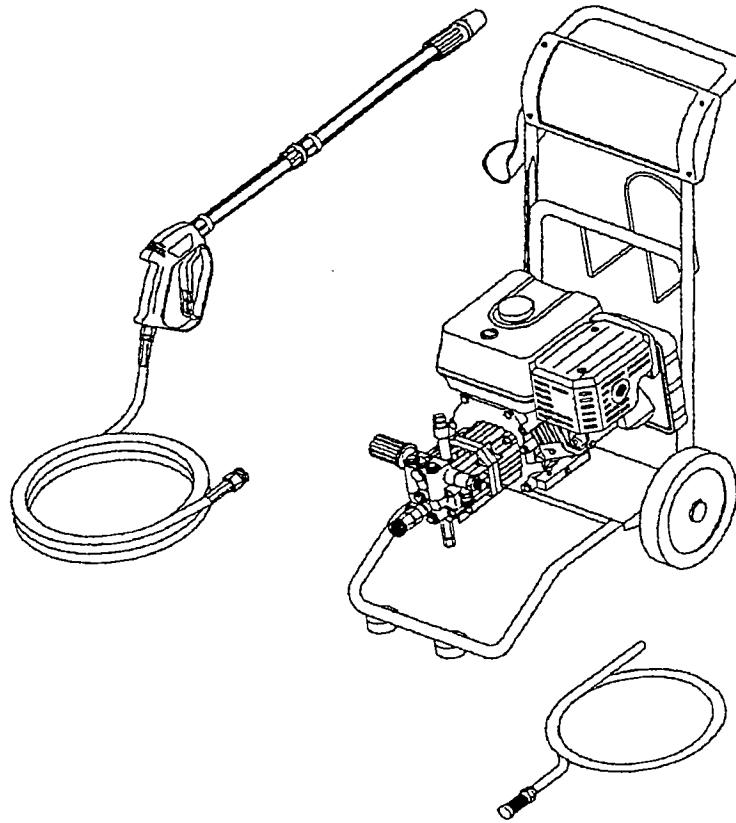


Mi-T-M[®] CORPORATION

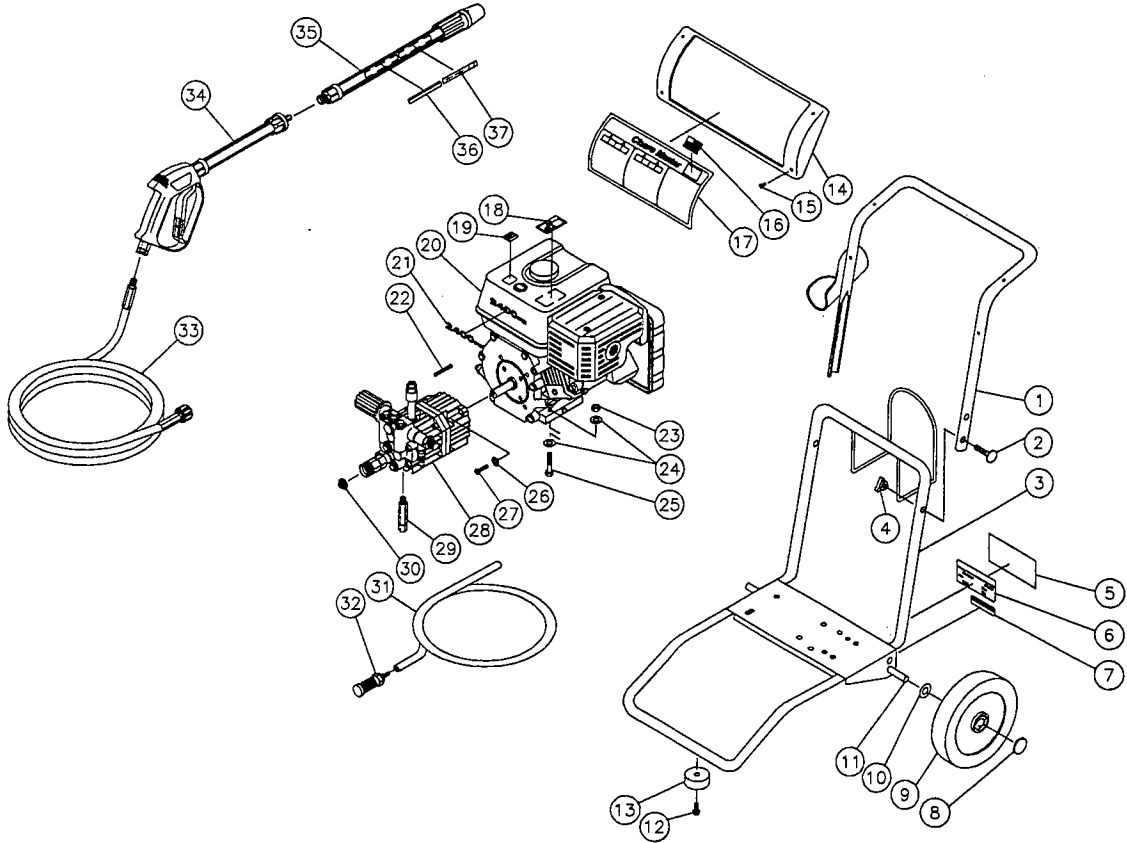
8650 Enterprise Drive, Peosta, IA 52068
319-556-7484 / Fax 319-556-1235



CM-2400 PARTS LISTING

Engine Oil Grade:	30W SE/SF/SG
Engine Oil Capacity:	24 oz.
Pump Oil Grade:	SAE 30W Non-Detergent
Pump Oil Capacity:	6.5 oz.
Nozzle Size:	1.2 mm

CM-2400 FRAME ASSEMBLY

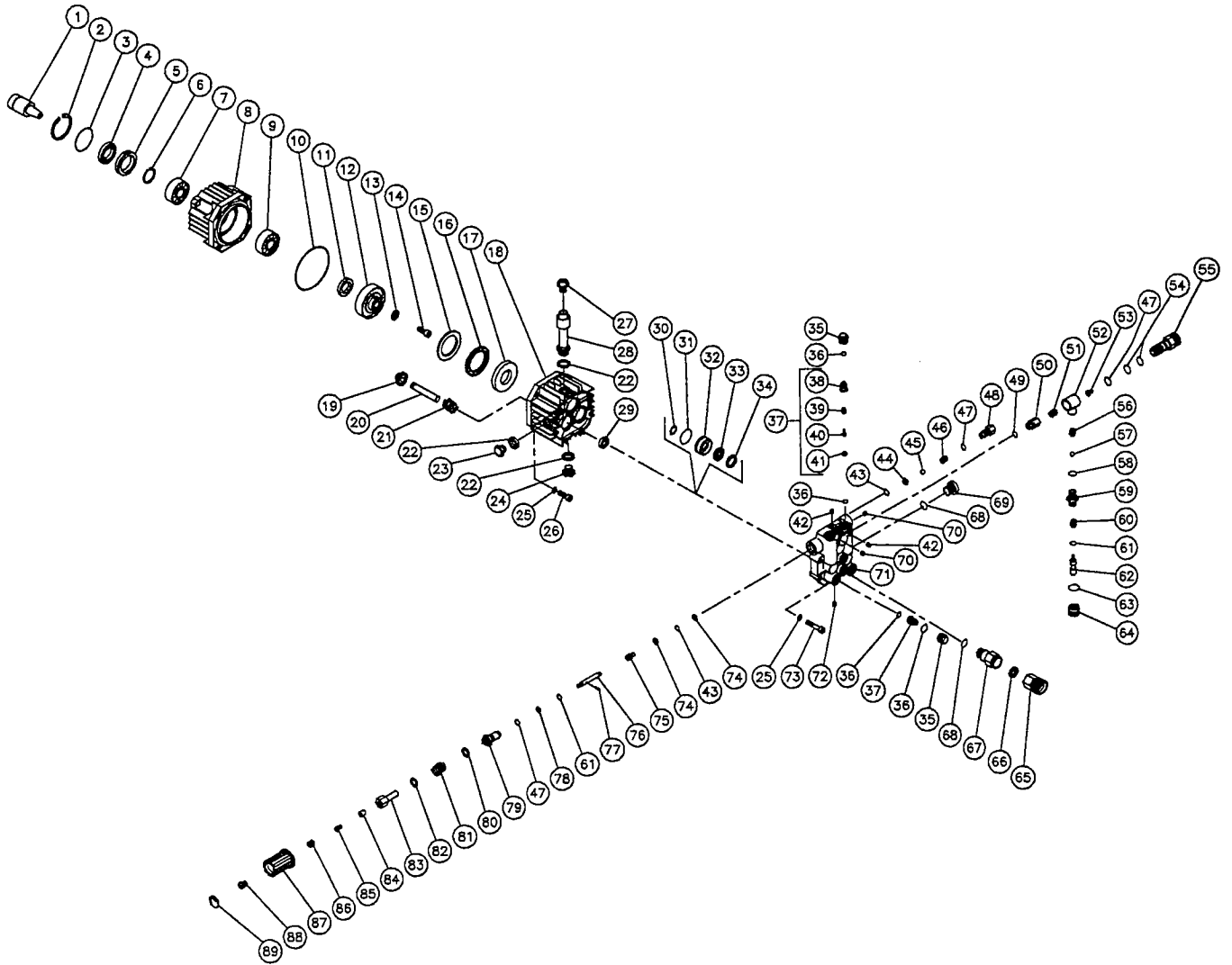


CM-2400 FRAME ASSEMBLY								
Ref. #	Description	Part #	Qty.		Ref. #	Description	Part #	Qty.
1	Handle	7-0106	1		20	Engine-5.5 HP Vanguard	1-0069	1
2	Carriage bolt	31-0051	2		21	Decal-2400 PSI/Orange Die Cut	34-0561	1
3	Frame	5-0102	1		22	Key	43-0073	1
4	Knob	7-0107	2		23	Locknut	30-0157	4
5	Decal-Clear laminate	34-0210	1		24	Washer	28-0003	8
6	Decal-Silver I.D. sticker	34-0486	1		25	Bolt	27-0070	4
7	Decal-Serial number	N/A	1		26	Lockwasher	29-0007	4
8	Hub cap	33-0055	2		27	Bolt	27-0847	4
9	Wheel	14-0052	2		28	Pump-Axial piston	3-0106	1
10	Washer	28-0006	4		29	Heat dump valve	22-0208	1
11	Axle	20-0343	1		30	Filter	19-0001	1
12	Screw	27-3064	2		31	Detergent hose	15-0021	4 ft
13	Isolator	14-0007	2		32	Detergent strainer	19-0050	1
14	Name plate	62-0084	1		33	High pressure hose	15-0133	1
15	Screw	27-3049	4		34	Gun assembly	16-0218	1
16	Decal-American Flag	34-0521	1		35	Variable nozzle assembly 1.20mm	16-0219	1
17	Decal-Warning/Caution Pictoral	34-0471	1		36	Decal-Warning Risk of Injection	34-0572	1
18	Decal-Warning Muffler Hot	34-0130	1		37	Decal-Adjustable Nozzle-High/Low	34-0457	1
19	Decal-Caution: Allow to Cool	34-0588	1					

PUMP ASSEMBLY (3-0106)

REF #	DESCRIPTION	PART #	QTY	REF #	DESCRIPTION	PART #	QTY
21	Piston Spring	49-0081	3	60	Injector Spring	49-0088	1
22	Gasket	26-0168	3	61	O-ring (See Kit 852-0056)	N/A Sep.	2
23	Oil Sight Glass	46-0582	1	62	Injector Piston	46-0418	1
24	Oil Drain Plug	39-0065	1	63	Flexible Ring	25-0277	1
25	Lockwasher	29-0154	8	64	Injector Regulation Knob	46-0469	1
26	Bolt	27-8194	4	65	Garden Hose Connection	23-0162	1
27	Oil Cap	39-0066	1	66	Gasket	26-0166	1
28	Oil Tube Extension	46-0351	1	67	Inlet Connector	23-0188	1
29	Oil Seal (See Kit 70-0001)	N/A Sep.	3	68	O-ring	25-0273	2
30	O-ring (See Kit 70-0002)	N/A Sep.	3	69	Manifold Plug	39-0072	1
31	O-ring (See Kit 70-0002)	N/A Sep.	3	70	Screw	27-8822	2
32	Packing Retainer	9-0060	3	71	Manifold	46-0629	1
33	V-Packing (See Kit 70-0002)	N/A Sep.	3	72	Screw	27-8198	1
34	Packing Ring (See Kit 70-0002)	N/A Sep.	3	73	Bolt	27-8857	4
35	Valve Plug	46-0628	6	74	Back-up Ring	25-0247	2
36	O-ring	25-0335	12	75	By-pass Piston (See Kit 70-0120)	N/A Sep.	1
37	Valve Complete (See Kit 70-0003)	N/A Sep.	6	76	Pressure Regulator Pin (See Kit 70-0120)	N/A Sep.	1
38	Valve Cage (See Kit 70-0003)	N/A Sep.	6	77	Roll Pin	46-0421	1
39	Valve Spring (See Kit 70-0003)	N/A Sep.	6	78	Back-up Ring	25-0246	1
40	Valve Plate (See Kit 70-0003)	N/A Sep.	6	79	Plug	25-0242	1
41	Valve Seat (See Kit 70-0003)	N/A Sep.	6	80	Washer	46-0624	1
42	Screw	27-8821	2	81	Pressure Regulation Spring	49-0109	1
43	O-ring	25-0230	2	82	Washer	46-0648	1
44	Valve Seat	46-0409	1	83	Pressure Regulation Screw	46-0623	1
45	Ball	46-0394	1	84	Screw Support	27-8853	1
46	Valve Spring	46-0411	1	85	Bolt	27-8810	1
47	O-ring	25-0255	3	86	Internal Screw	27-8852	1
48	Plug	46-0412	1	87	Pressure Regulation Knob	7-0091	1
49	O-ring	25-0334	1	88	Screw	27-8086	1
50	No-return Valve	46-0626	1	89	Cap	7-0088	1
51	Spring	49-0110	1		Oil Seal Kit (Includes 3 each 29)	70-0001	
52	Injector Body	46-0620	1		Packing Kit (Inc. 3 each 30, 31, 33 & 34)	70-0002	
53	Injector Nozzle	46-0415	1		Valve Kit (Inc. 6 each 36 & 37)	70-0003	
54	O-ring	25-0263	2		Unloader Seat (Includes 43-48)	70-0110	
55	Pressure Outlet	46-0627	1		Unloader Stem (Includes 43, 47, 61, 74-89)	70-0120	
56	Spring (See Kit 852-0056)	N/A Sep.	1		Injector Assembly (Includes 47, 49-64)	70-0005	
57	Ball (See Kit 852-0056)	N/A Sep.	1		Injector Repair Kit (Includes 56-58 & 61)	852-0056	
58	O-ring (See Kit 852-0056)	N/A Sep.	1		Manifold Assembly (Includes 30-64, 67-72, 74-89)	70-0006	
59	Injector Nipple	46-0417	1				

PUMP ASSEMBLY (3-0106)



PUMP ASSEMBLY (3-0106)							
REF #	DESCRIPTION	PART #	QTY	REF #	DESCRIPTION	PART #	QTY
1	Pump Shaft	46-0427	1	11	Washer	46-0468	1
2	Circle Clip	46-0405	1	12	Wobble Plate	46-0625	1
3	O-ring	25-0272	1	13	Washer	28-0133	1
4	Oil Seal	46-0425	1	14	Bolt	27-8432	1
5	Spacer	46-0407	1	15	Bearing Disc-Rear	48-0047	1
6	Circle Clip	46-0406	1	16	Bearing	48-0048	1
7	Bearing-Rear	48-0036	1	17	Bearing Disc-Front	48-0049	1
8	Flange	52-0028	1	18	Pump Housing	46-0426	1
9	Bearing-Front	48-0037	1	19	Piston Spring Retainer	46-0362	3
10	O-ring	25-0243	1	20	Piston-Ceramic	46-0578	3