

# Mi-T-M<sup>®</sup> CORPORATION

8650 Enterprise Drive, Peosta IA 52068

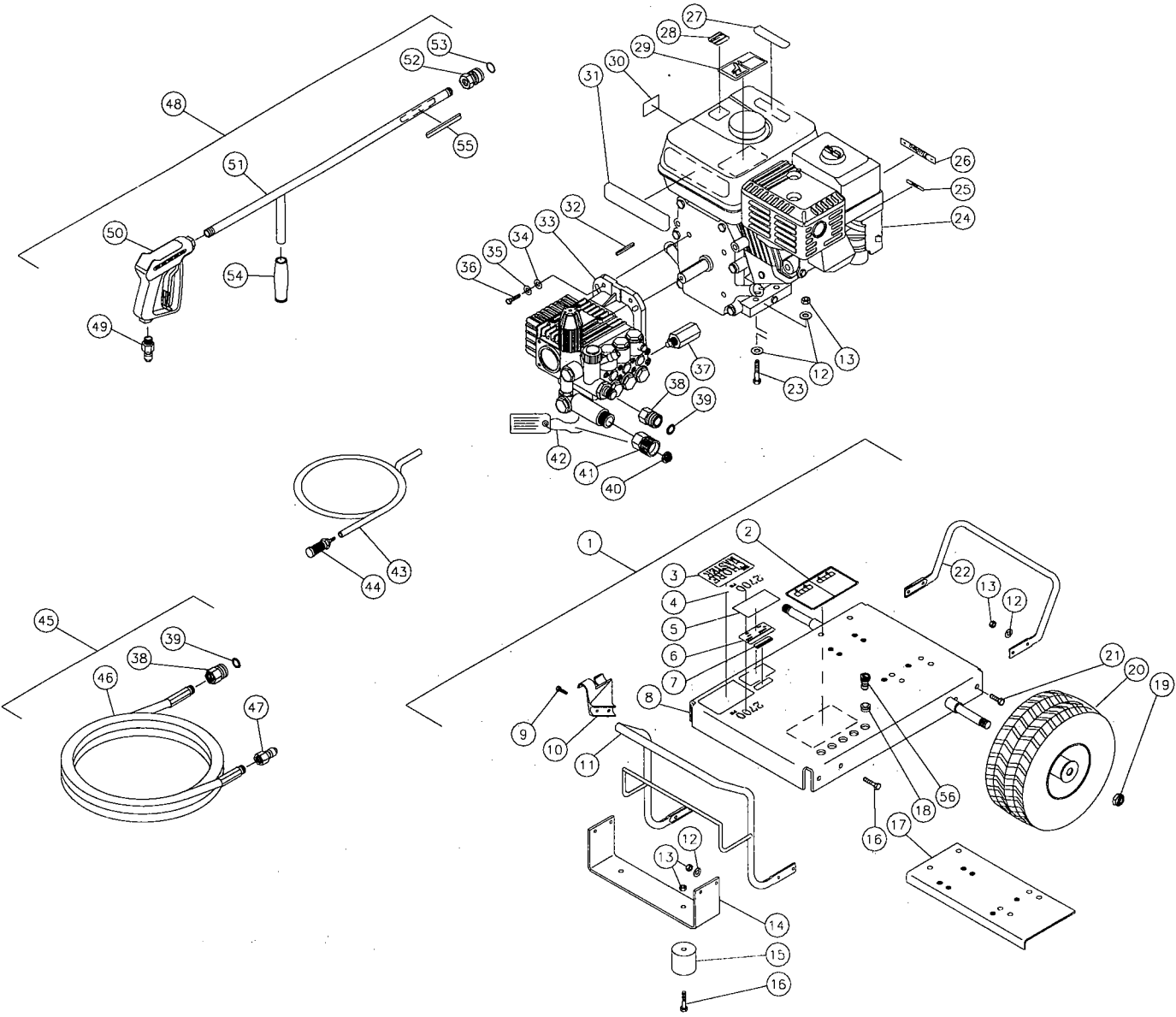
319-556-7484 / Fax 319-556-1235

## CM-2703-0MHB PARTS LIST

Engine Oil Grade:  
Honda Oil Capacity:  
Pump Oil Grade:  
Pump Oil Capacity:  
Nozzle Size:

30W SE/SF/SG  
20 oz.  
Mi-T-M #AW-4085-0016  
18 oz.  
3.0

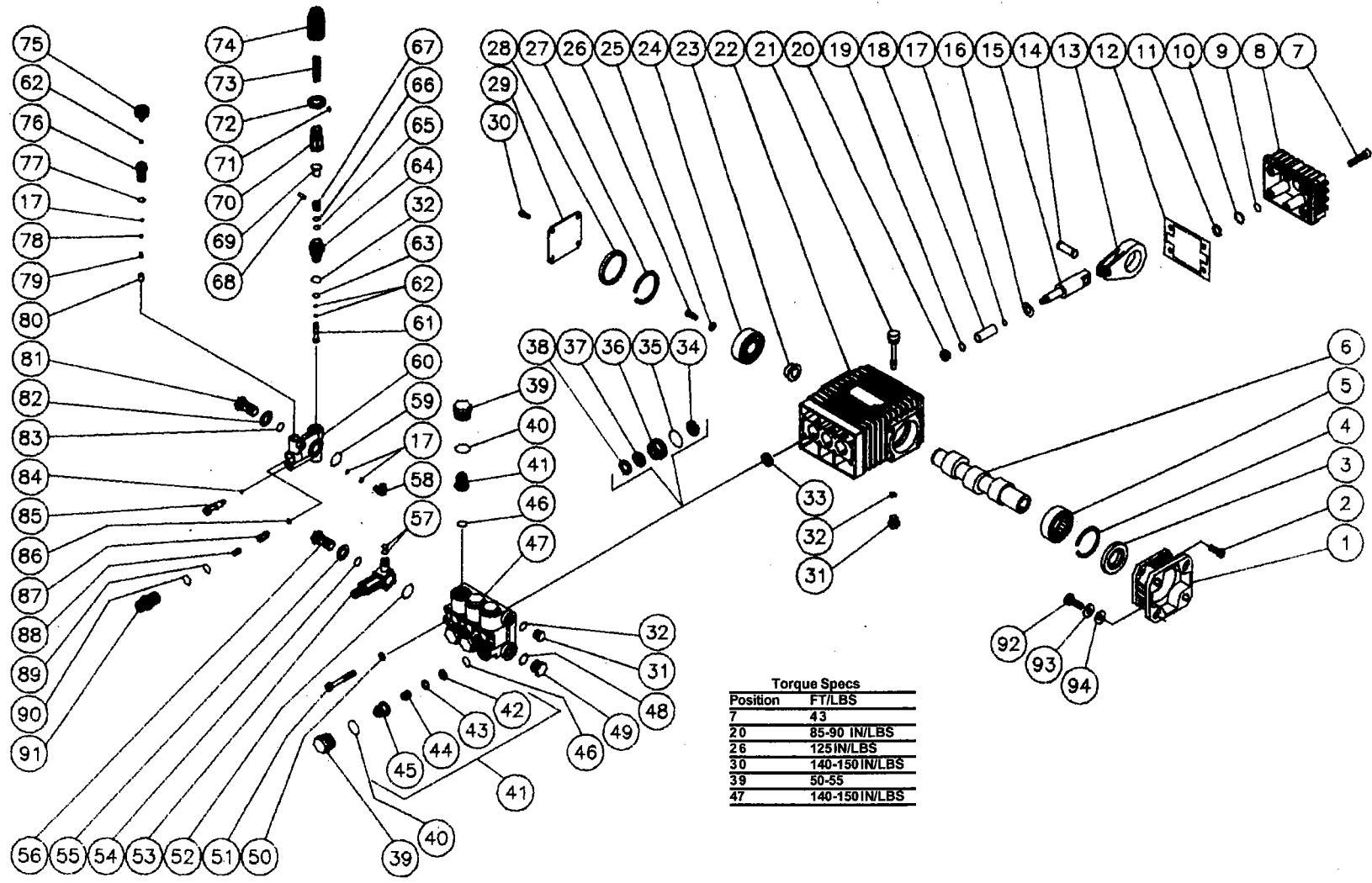
# FRAME ASSEMBLY FOR CM-2703-0MHB



OMCH038 / 050996DCE



# PUMP ASSEMBLY (3-0140)



Torque Specs	
Position	FT/LBS
7	43
20	85-90 IN/LBS
26	125IN/LBS
30	140-150IN/LBS
39	50-55
47	140-150IN/LBS

OMPMP034 / 050795JTR

PUMP ASSEMBLY (3-0140)

REF #	DESCRIPTION	PART #	QTY	REF #	DESCRIPTION	PART #	QTY	REF #	DESCRIPTION	PART #	QTY
1	Flange	38-0047	1	34	Vacuum Cup (See 70-0163)	N/A Sep.	3	67	Poppet	8-0415	1
2	Bolt	27-8872	4	35	O-ring (See 70-0163)	N/A Sep.	3	68	Poppet Pin	43-0087	1
3	Oil Seal (See 70-0162)	N/A Sep.	1	36	Packing Retainer	46-0678	3	69	Spring Button	8-0416	1
4	Retaining Ring	46-0667	1	37	V-packing (See 70-0163)	N/A Sep.	3	70	Guide Spring	8-0417	1
5	Needle Bearing	48-0059	1	38	Head Ring (See 70-0163)	N/A Sep.	3	71	Set Screw	27-8878	1
6	Crankshaft	46-0668	1	39	Valve Cap	39-0087	6	72	Locknut	30-6015	1
7	Bolt	27-8873	6	40	O-ring	25-0180	6	73	Spring	49-0119	1
8	Crankcase Cover	46-0669	1	41	Valve Assy. (42-45) (See 70-0161)	N/A Sep.	6	74	Unloader Knob	7-0137	1
9	O-ring	25-0370	1	42	Valve Seat (See 70-0161)	N/A Sep.	6	75	Adjustable Detergent Knob	7-0138	1
10	Oil Sight Glass	46-0670	1	43	Valve Plate (See 70-0161)	N/A Sep.	6	76	Injector Body	8-0418	1
11	Spring Retainer	46-0671	1	44	Valve Spring (See 70-0161)	N/A Sep.	6	77	O-ring (See 70-0165)	N/A Sep.	1
12	Gasket (See 70-0162)	N/A Sep.	1	45	Valve Cage (See 70-0161)	N/A Sep.	6	78	Ball (See 70-0165)	N/A Sep.	1
13	Connecting Rod	46-0672	3	46	O-ring (See 70-0161)	N/A Sep.	6	79	Spring (See 70-0165)	N/A Sep.	1
14	Wrist Pin	43-0086	3	47	Manifold	46-0679	1	80	Valve Cage (See 70-0165)	N/A Sep.	1
15	Plunger Guide	46-0673	3	48	O-ring	25-0372	1	81	Port Adapter	8-0419	1
16	Slinger Washer	28-1027	3	49	Valve Port Plug	39-0088	1	82	Washer	28-1024	1
17	O-ring	25-0371	4	50	Washer	29-0014	8	83	O-ring (See 70-0165)	N/A Sep.	2
18	Plunger	46-0674	3	51	Bolt	27-8875	8	84	O-ring (See 70-0165)	N/A Sep.	1
19	Seal	26-0187	3	52	O-ring (See 70-0164)	N/A Sep.	1	85	Plug	39-0089	1
20	Nut	30-6016	3	53	Inlet By-pass Adapter	51-0018	1	86	O-ring (See 70-0165)	N/A Sep.	1
21	Oil Dipstick	39-0090	1	54	O-ring (See 70-0164)	N/A Sep.	1	87	Check Valve (See 70-0165)	N/A Sep.	1
22	Crankcase	46-0675	1	55	Washer	28-1023	1	88	Spring (See 70-0165)	N/A Sep.	1
23	Shaft Retainer	9-0062	1	56	Inlet Port Adapter	8-0410	1	89	O-ring (See 70-0165)	N/A Sep.	1
24	Ball Bearing	48-0060	1	57	O-ring (See 70-0164)	N/A Sep.	2	90	O-ring (See 70-0165)	N/A Sep.	1
25	Washer	28-1025	1	58	Detergent Injector	8-0411	1	91	Port Adapter	8-0420	1
26	Bolt	27-8405	1	59	O-ring (See 70-0164)	N/A Sep.	1	92	Bolt	27-0092	4
27	Retaining Ring	46-0676	1	60	Unloader Body	8-0412	1	93	Lockwasher	29-0007	4
28	Plug	46-0677	1	61	Piston	8-0413	1	94	Flatwasher	28-0022	
29	Cover	20-0375	1	62	O-ring (See 70-0164)	N/A Sep.	3		Valve Kit (Includes 42-46)	70-0161	
30	Bolt	27-8874	4	63	O-ring (See 70-0164)	N/A Sep.	1		Oil Seal Kit (Includes 3, 12, 33)	70-0162	
31	Drain Plug	39-0086	1	64	Piston Guide	8-0414	1		Packing Kit (Includes 34, 35, 37, 38)	70-0163	
32	O-ring	25-0325	1	65	O-ring (See 70-0164)	N/A Sep.	1		Unloader Repair Kit (17, 32, 52, 54, 57, 59, 62, 63, 65, 66, 77, 78, 79, 83, 84, 86-90)	70-0164	
33	Oil Seal (See 70-0162)	N/A Sep.	3	66	Back-up Ring (See 70-0164)	N/A Sep.	1		Injector Repair Kit (17, 77-80)	70-0165	