

The **Chore Master**[®] by Mi-T-M[®]

PARTS LIST FOR CV-1750-1MBC (AFTER SERIAL #101630161)

Engine Oil Grade:	Above 40°F=SAE 30 Below 40°F=SAE10W-30
Engine Oil Capacity:	20 oz.
Pump Oil Grade:	Mi-T-M Pump Oil #AW-4085-0016
Pump Oil Capacity:	4.5 oz.
Nozzle Size:	1.20 mm

This Parts Listing has been compiled for your benefit. You can be assured your Mi-T-M Cold Water Pressure Washer was constructed and designed with quality and performance in mind using over 25 years experience in the pressure washer business. Each component has been rigorously tested to insure the highest level of acceptance.

The contents of this Parts Listing are based on the latest product information available at the time of publication. Mi-T-M reserves the right to make changes in price, color, materials, equipment, specifications or models at any time without notice.

WARNING

THIS IS A PROFESSIONAL HIGH PRESSURE, COLD WATER PRESSURE WASHER. CAUTION SHOULD BE OBSERVED WHEN USING OR REPAIRING THIS UNIT! READ AND FOLLOW THE SAFETY WARNINGS LISTED BELOW BEFORE ATTEMPTING ANY REPAIRS ON THIS PRESSURE WASHER!

SAFETY WARNINGS

1. NEVER alter or modify the equipment. Be sure any accessory items and system components being used will withstand the pressure developed. Use only genuine Mi-T-M parts for repair of your pressure washer. Failure to do so can cause hazardous operating conditions and will VOID warranty.
2. NEVER make adjustments on machinery while the unit is connected to the power source. Turning over the machinery by hand during adjustment or cleaning might start the machinery, causing serious injury to the operator.
3. Know how to stop and bleed pressures quickly. Be thoroughly familiar with controls.
4. Before servicing the unit, turn unit off, relieve the water pressure and allow the unit to cool down. Do not make repairs while the unit is running. Service in a clean, dry, flat area.
5. After testing the machine, DO NOT leave the pressurized unit unattended. Shut off the unit and release trapped pressure before leaving.

Table of Contents

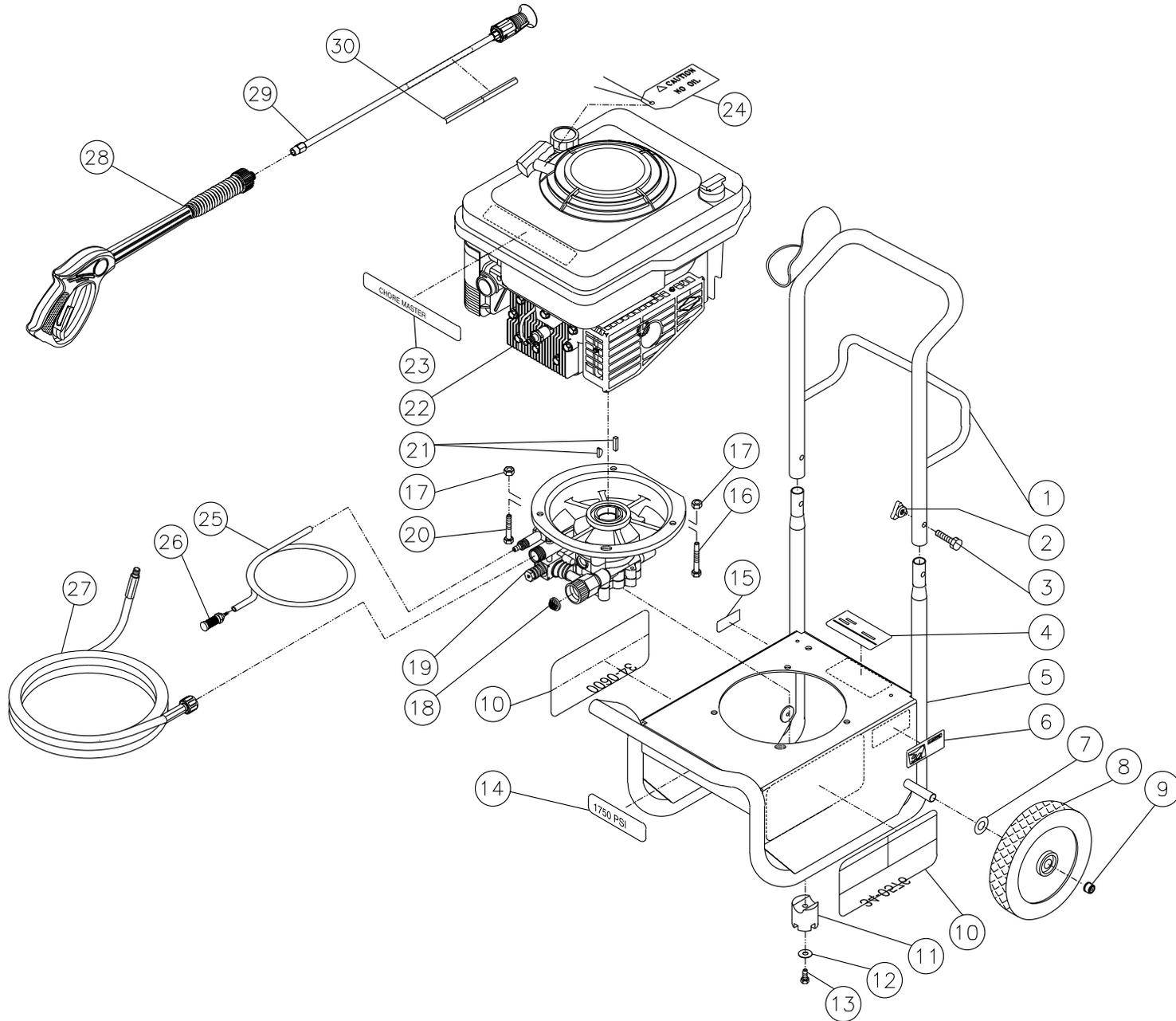
SPECIFICATIONS	3
FRAME ASSEMBLY FOR CV-1750-1MBC	4
PUMP ASSEMBLY (3-0151)	6
GUN/WAND ASSEMBLY (16-0365)	8
LANCE ASSEMBLY (16-0388)	10

SPECIFICATIONS

CV-1750-1MBC

MODEL NUMBER	CV-1750-1MBC
Operating Pressure (PSI/Bar):	1750/120.6
High Pressure Nozzle:	1.20 mm
Water Volume (GPM/lpm):	1.9/7.2
Engine:	Briggs & Stratton
Horsepower	5.0
Engine Type	Four Stroke, Side Valve, Single Cylinder
Oil Type	Above 40 F=SAE 30/Below 40 F=SAE10W-30
Oil Capacity (oz./liter)	20/.6
Fuel Type	Unleaded Gasoline 86 Octane Minimum
Fuel Capacity (Qt./liter)	.38/1.42
Starting	Recoil Rope
Maximum No Load RPM	3600 (+/- 100)
Pump:	Direct Driven, Oil Bath, Triplex Axial Piston
Oil Type	Mi-T-M Pump Oil #AW-4085-0016
Oil Capacity (oz./liters)	4.5/.13
Plungers	Stainless Steel
Manifold	Aluminum
Valves	Plastic and Stainless Steel
Unloader	Fixed
Detergent Injector	Low pressure down stream from pump
Unit Net Weight (lbs/Kg)	57/26
Unit Shipping Weight (lbs/Kg)	72/33
Unit Net Dimension (cm)	19.5Lx14.5Wx19.5H/ 49.5Lx37Wx49.5H
Unit Shipping Dimension (cm)	23.5Lx14.5Wx22H/ 60Lx37Wx56.5H

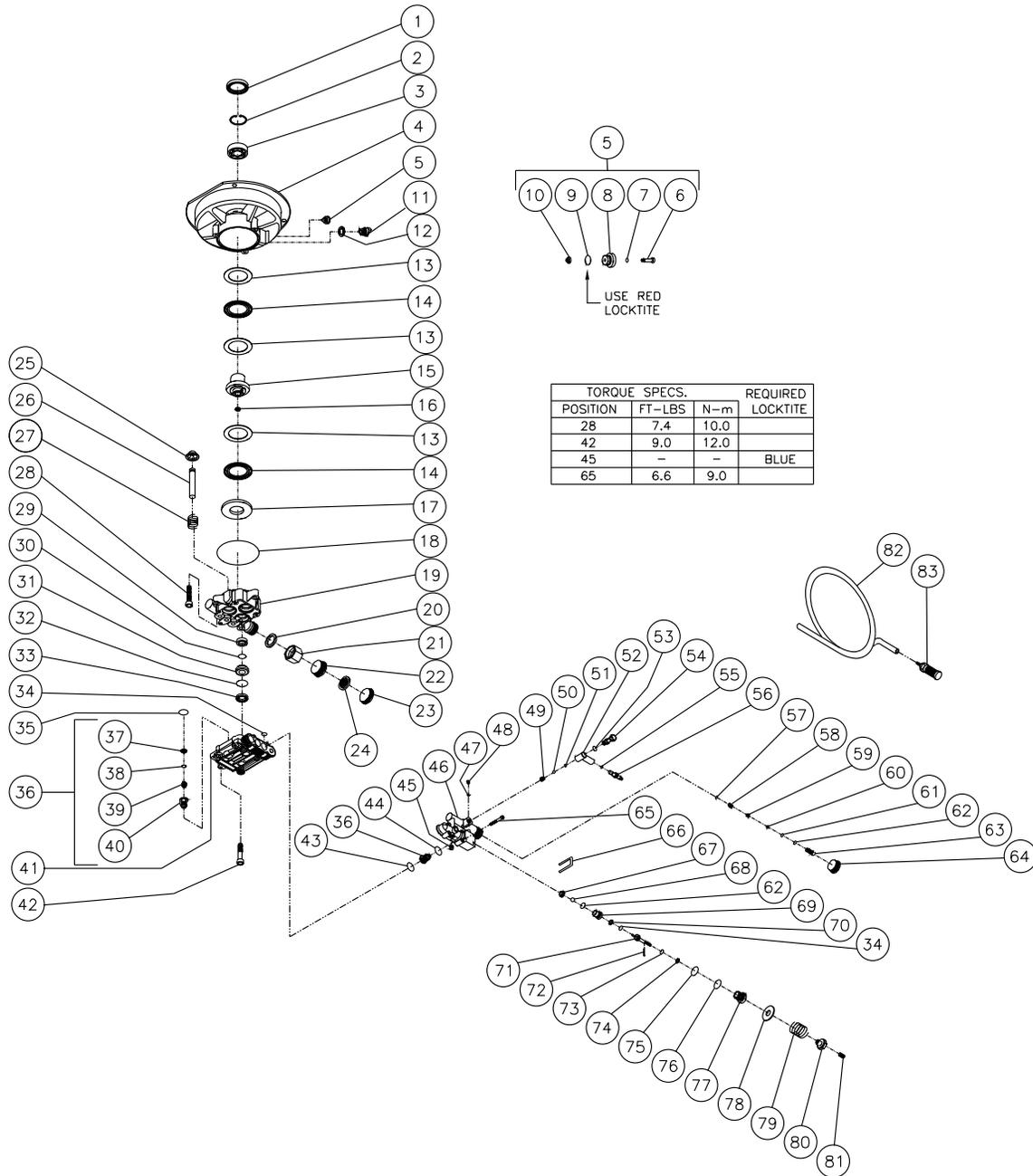
FRAME ASSEMBLY FOR CV-1750-1MBC



CV-1750-1MBC-111601-RD

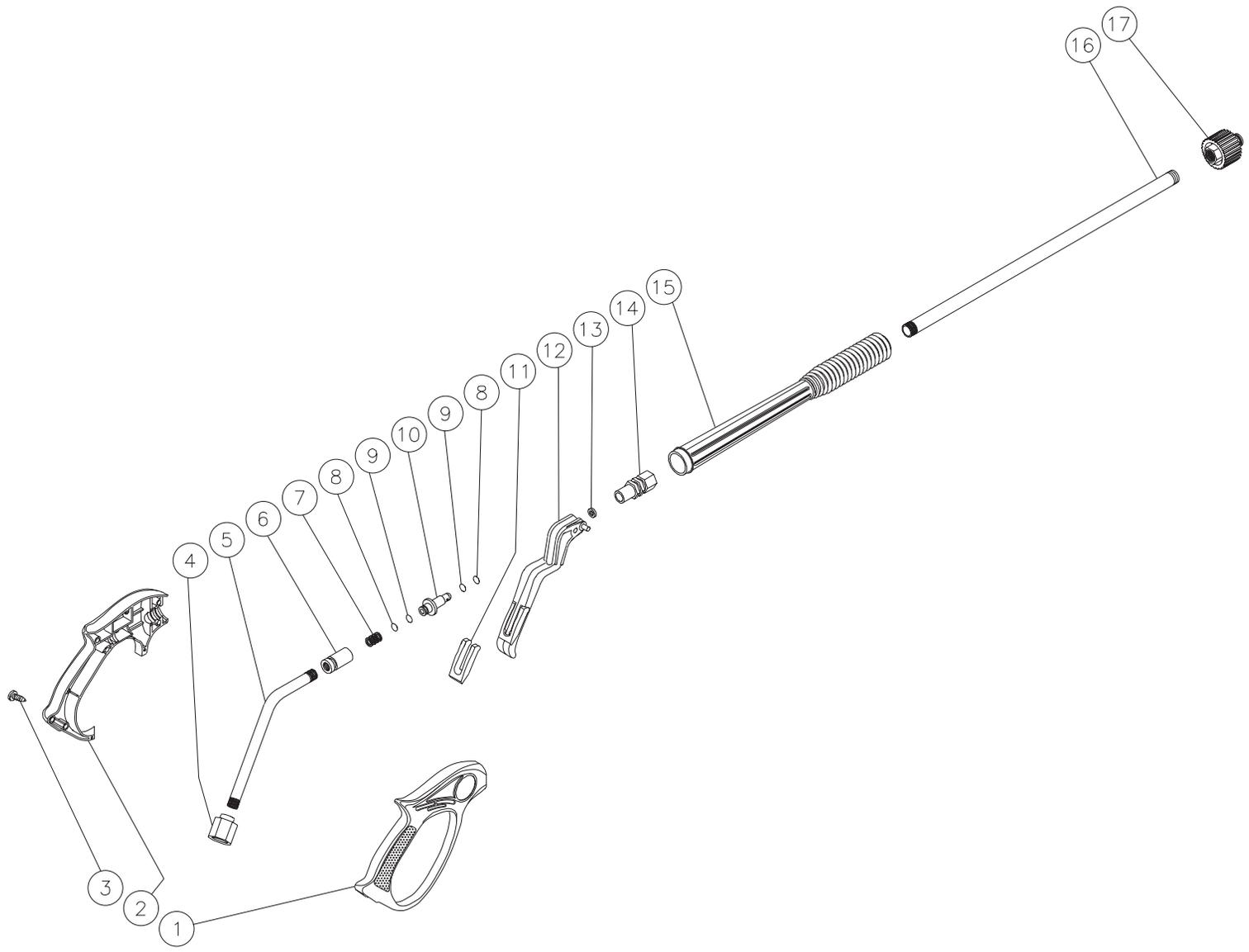
FRAME ASSEMBLY FOR CV-1750-1MBC								
REF. #	DESCRIPTION	PART #	QTY.		REF. #	DESCRIPTION	PART #	QTY.
1	Handle	7-0116A01	1		17	Locknut	30-0157	3
2	Knob	7-0115	2		18	Filter	19-0001	1
3	Bolt	27-0017	2		19	Pump	3-0151	1
4	Decal- Data Plate	N/A	1		20	Bolt	27-0070	2
5	Frame	5-0161A01	1		21	Key- Woodruff	43-0081	1
6	Decal- Warning: Muffler Hot (E/S)	34-0598	1		-	Key- Square	43-0085	1
7	Washer	28-0006	5		22	Engine- 5.0 HP Briggs & Stratton	1-0118	1
8	Wheel	14-0051	2		23	Decal- Chore Master	34-0590	1
9	Hub Cap	33-0055	2		24	Tag- Shipped Without Oil	34-0732	1
10	Decal- Warning/Caution/Oper. (English)	34-0576	1		25	Detergent Hose *(Four Feet Required)	15-0021	1
-	Decal- Warning/Caution/Oper. (Spanish)	34-0600	1		26	Detergent Strainer	19-0050	1
11	Isolator	14-0063	2		27	Pressure Hose	15-0167	1
12	Washer	28-0021	2		28	Gun and Wand Assembly	16-0365	1
13	Screw	27-3096	2		29	Lance Assembly w/Variable Nozzle 1.2 mm	16-0388	1
14	Decal- Die Cut: 1750 PSI	34-0595	1		30	Decal- Risk of Injection (E/S)	34-1253	1
15	Decal- Caution: Allow to Cool (E/S)	34-0599	1		*Must Order in One Foot Lengths.			
16	Bolt	27-0074	1					

PUMP ASSEMBLY (3-0151)



PUMP ASSEMBLY (3-0151)											
REF #	DESCRIPTION	PART #	QTY	REF #	DESCRIPTION	PART #	QTY	REF #	DESCRIPTION	PART #	QTY
1	Oil Seal	26-0244	1	32	O-ring	25-0399	3	63	Injector Body	46-0360	1
2	Snap Ring	46-0940	1	33	Pressure Seal	46-0738	3	64	Plug (For Shipping Only)	N/A	1
3	Bearing	48-0074	1	34	O-ring	25-0343	2	65	Bolt	27-8893	4
4	Flange	38-0061	1	35	O-ring	25-0359	3	66	U-Clip	46-0741	1
5	Oil Vent Assembly (Inc. 6-10)	22-0223	1	36	Valve Complete (Inc. 37-40) (See 70-0191)	N/A Sep.	6	67	Valve Seat Plate	70-0192	1
6	Oil Vent (See 22-0223)	N/A Sep.	1	37	Valve Seat (See 70-0191)	N/A Sep.	6	68	Ball	46-0685	1
7	O-ring	25-0253	1	38	Valve Plate (See 70-0191)	N/A Sep.	6	69	Unloader Seat	46-0352	1
8	Oil Vent (See 22-0223)	N/A Sep.	1	39	Valve Spring (See 70-0191)	N/A Sep.	6	70	Backup Ring	25-0247	1
9	O-ring (See 22-0223)	N/A Sep.	1	40	Valve Cage-Plastic (See 70-0191)	N/A Sep.	6	71	Piston Bypass Valve (See 70-0193)	N/A Sep.	1
10	Oil Vent-Spring (See 22-0223)	N/A Sep.	1	41	Pump Head	46-0946	1	72	Roll Pin	46-0364	1
11	Oil Sight Glass	39-0117	1	42	Bolt	27-8892	5	73	O-ring	25-0242	1
12	O-ring	25-0477	1	43	O-ring	25-0360	3	74	Backup Ring	25-0246	1
13	Thrust Washer	48-0056	3	44	O-ring	25-0238	4	75	O-ring	25-0231	1
14	Thrust Needle Roller Bearing	48-0057	2	45	Plug	27-8197	1	76	O-ring	25-0263	1
15	Wobble Plate	46-0945	1	46	Pump Manifold	46-0740	1	77	Body Bypass Valve	8-0472	1
16	Plug	39-0082	1	47	O-ring	25-0357	1	78	Washer	28-0295	1
17	Thrust Washer	48-0064	1	48	Bolt	27-8894	1	79	Pressure Regulating Spring - 2000 PSI	49-0131	1
18	O-ring	25-0358	1	49	Detergent Injector Spring (See 70-0102)	N/A Sep.	1	80	Pressure Regulating Nut	8-0471	1
19	Pump Housing w/Heat Dump Port	46-0736	1	50	Detergent Injector Ball (See 70-0102)	N/A Sep.	1	81	Set Screw	27-8895	1
20	Washer	28-1002	1	51	O-ring (See 70-0102)	N/A Sep.	1	82	Detergent Hose	15-0022	1
21	Garden Hose Connection	23-0304	1	52	Detergent Injector Adapter	46-0636	1	83	Filter	19-0067	1
22	Garden Hose Adapter	23-0305	1	53	O-ring (See 70-0102)	N/A Sep.	1		Piston Assembly (Includes 25-26)	70-0190	
23	Plug (For Shipping Only)	N/A	1	54	Banjo Fitting	46-0637	1		Packing Kit (Includes 32, 33)	70-0155	
24	Washer	19-0001	1	55	O-ring	25-0341	1		Valve Kit (Inc. 35, 36, 43)	70-0191	
25	Retainer	46-0663	3	56	Detergent Injector Hose Barb	46-0638	1		Injector Repair Kit (Inc. 49-51, 53)	70-0102	
26	Piston	46-0664	3	57	O-ring	25-0334	1		Unloader Check Valve Kit (Inc. 57-63)	70-0108	
27	Spring	49-0129	3	58	Check Valve	22-0158	1		Unloader Seat Kit (Includes 62, 67-69)	70-0192	
28	Bolt	27-8404	3	59	Check Valve Spring	49-0130	1		Unloader Stem Kit (Inc. 34, 70-80)	70-0193	
29	Oil Seal	26-0195	3	60	Injector Nozzle	46-0356	1		Manifold Assy. (Inc. 34, 44-54, 57-80)	70-0194	
30	O-ring	25-0255	3	61	O-ring	25-0362	1				
31	Packing Retainer	46-0737	3	62	O-ring	25-0248	2				

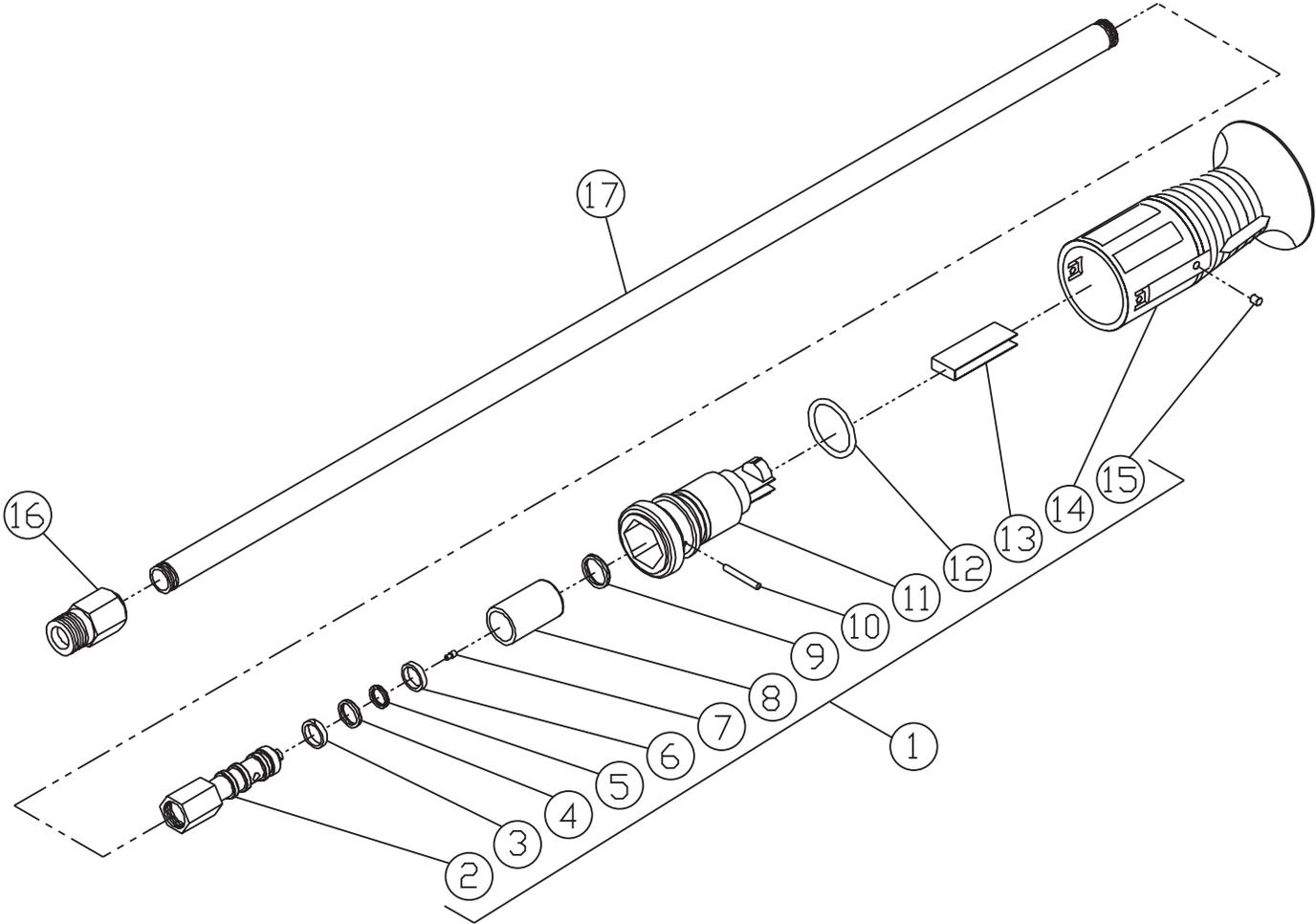
GUN/WAND ASSEMBLY (16-0365)



16-0364-103101-RD

GUN/WAND ASSEMBLY (16-0365)								
REF. #	DESCRIPTION	PART #	QTY.		REF. #	DESCRIPTION	PART #	QTY.
1	Gun Body (Right Side)	16-0367	1		11	Trigger Lock	16-0372	1
2	Gun Body (Left Side)	16-0368	1		12	Trigger	16-0373	1
3	Screw	27-8862	6		13	Seat	26-0238	1
4	Adapter	23-0385	1		14	Brass Body Outlet	16-0374	1
5	Pipe (See 70-0287)	N/A Sep.	1		15	Gripping Area (Plastic)	16-0375	1
6	Brass Body Inlet	16-0370	1		16	Pipe	16-0376	1
7	Spring	49-0141	1		17	Screw Connnect Coupling	16-0377	1
8	O-ring	25-0363	2			Shutter Valve Kit (Includes 7-10)	70-0289	
9	Back-up Ring	25-0416	2			Complete Gun/Wand Assembly (Inc. 1-17)	16-0365	
10	Valve	16-0371	1					

LANCE ASSEMBLY (16-0388)



16-0388-073102-RD

LANCE ASSEMBLY (16-0388)

REF. #	DESCRIPTION	PART #	QTY.	REF. #	DESCRIPTION	PART #	QTY.
1	Nozzle Assembly (Inc. 2-15)	18-0274	1	11	Plastic Housing (See 16-0388)	N/A Sep.	1
2	Nozzle Body	18-0284	1	12	O-ring	25-0342	1
3	Back-up Ring	25-0346	1	13	Angle Plate	18-0283	1
4	O-ring	25-0345	1	14	Nozzle Protector	18-0353	1
5	O-ring	25-0343	1	15	I.D. Pin	18-0286	1
6	Back-up Ring	25-0344	1	16	Coupling	16-0378	1
7	Nozzle- 1.20mm	18-0237	1	17	Pipe	16-0379	1
8	Sleeve (See 16-0388)	N/A Sep.	1		Repair Kit (Inc. 4-6, 13)	70-0303	
9	O-ring	25-0419	1		Complete Lance Assembly (Inc. 1-17)	16-0388	
10	Pin	43-0083	1				

