

The Clean MasterTM

by Mi-T-M[®]

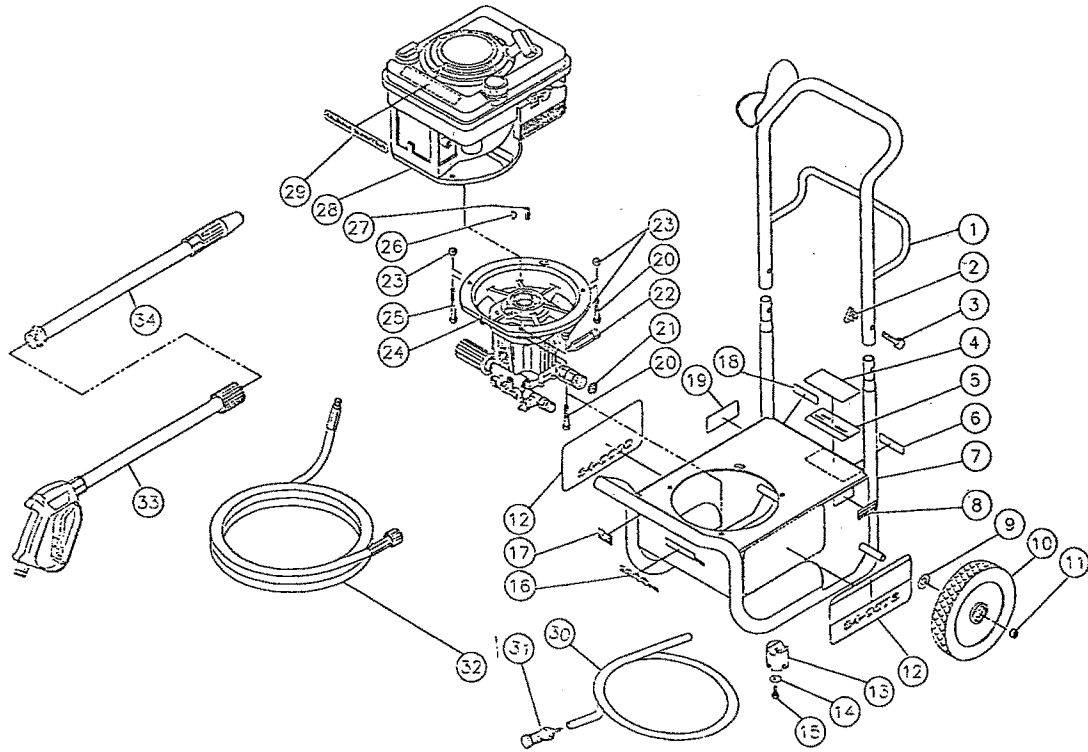
8650 Enterprise Drive, Peosta IA 52068-0050

319-556-7484 / Fax 319-556-1235

CV-2200

Engine Oil Grade:	30W SE/SF/SG
Engine Oil Capacity:	19 oz.
Pump Oil Grade:	SAE 30W Non-Detergent
Pump Oil Capacity (Sealed):	8 oz.
Nozzle Size:	1.1 mm

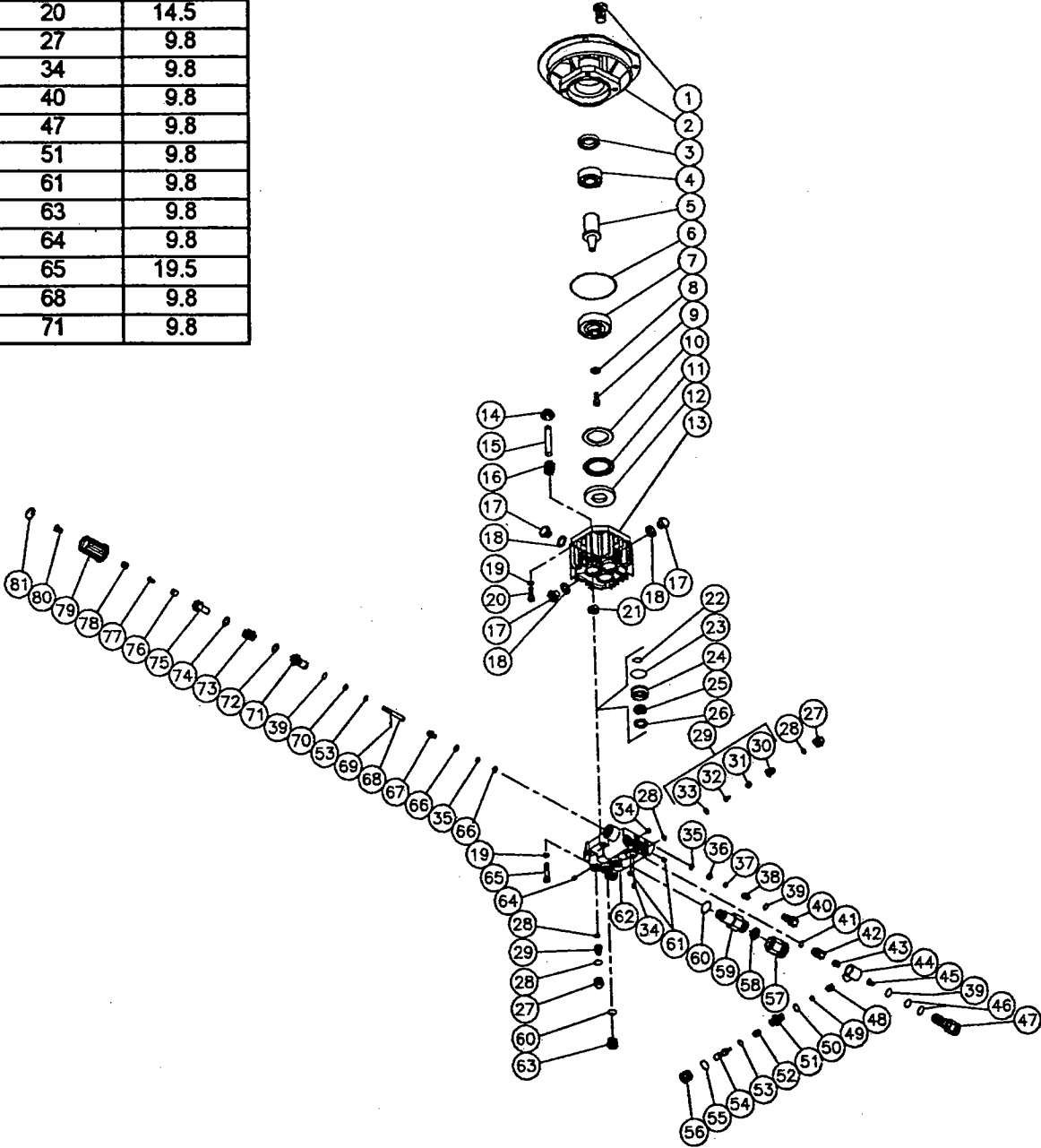
FRAME ASSEMBLY FOR CV-2200



CV-1750 & CV-2000 FRAME ASSEMBLY								
REF. #	DESCRIPTION	PART #	QTY.	REF. #	DESCRIPTION	PART #	QTY.	
1	Handle	7-0116	1	19	Decal-Warning: Muffler Hot	34-0598	1	
2	Knob	7-0115	2	20	Bolt (for CV-1750)	27-0069	3	
3	Bolt	27-0017	2		Bolt (for CV-2000)	27-0069	2	
4	Decal-Clear Laminate	34-0210	1	21	Filter	19-0001	1	
5	Decal-Silver Sticker	34-0486	1	22	Heat Dump Valve	22-0208	1	
6	Decal-Serial Number	N/A	1	23	Locknut	30-0157	3	
7	Frame	5-0111	1	24	Pump	3-0108	1	
8	Decal-Caution: Allow to Cool	34-0599	1	25	Bolt (for CV-2000 only)	27-0074	1	
9	Washer	28-0006	2	26	Key-Woodruff	43-0081	1	
10	Wheel	14-0051	2	27	Key-Square	43-0082	1	
11	Hub Cap	33-0055	2	28	Engine-4.0 HP B&S (for CV-1750)	1-0076	1	
12	Decal-Warn/Caution/Operate English	34-0576	1		Engine-5.0 HP B&S (for CV-2000)	1-0075	1	
	Decal-Warn/Caut./Operate Spanish	34-0600	1	29	Decal-Clean Master Logo (CV-1750)	34-0591	1	
13	Isolator	14-0063	2		Decal-Clean Master Logo (CV-2000)	34-0590	1	
14	Washer	28-0021	2	30	Detergent Hose (4 feet required)	15-0021	1	
15	Screw	27-3096	2	31	Detergent Strainer	19-0050	1	
16	Decal-1750 PSI	34-0595	1	32	Pressure Hose	15-0148	1	
	Decal-2000 PSI	34-0592	1	33	Gun Assembly	851-0245	1	
17	Decal-American Flag	34-0521	1	34	Variable Nozzle Assembly 1.2mm	851-0246	1	
18	Decal-Technical Service Number	34-0603	1					

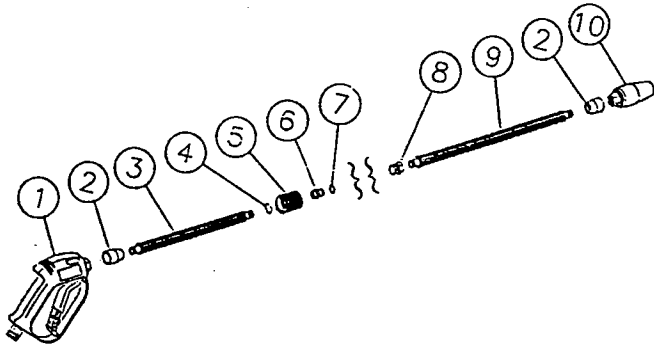
PUMP ASSEMBLY (3-0109) FOR CV-2200

TORQUE SPECS	
POSITION	FT/LBS
9	19.5
17	9.8
20	14.5
27	9.8
34	9.8
40	9.8
47	9.8
51	9.8
61	9.8
63	9.8
64	9.8
65	19.5
68	9.8
71	9.8

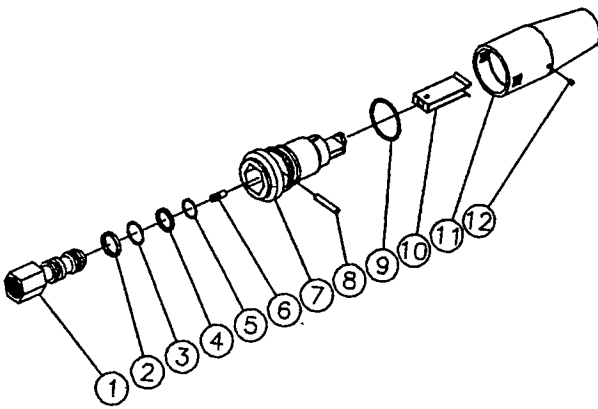


PUMP ASSEMBLY (3-0109) FOR CV-2200							
REF #	DESCRIPTION	PART #	QTY	REF #	DESCRIPTION	PART #	QTY
1	Vent	46-0634	1	45	Injector Nozzle	46-0470	1
2	Flange	38-0042	1	46	O-ring	25-0263	2
3	Oil Seal	46-0425	1	47	Pressure Outlet	46-0627	1
4	Bearing	48-0037	1	48	Spring (See 852-0056)	N/A Sep.	1
5	Shaft	33-0406	1	49	Ball (See 852-0056)	N/A Sep.	1
6	O-ring	25-0243	1	50	O-ring (See 852-0056)	N/A Sep.	1
7	Wobble Plate	46-0635	1	51	Injector Nipple	46-0417	1
8	Washer	28-0133	1	52	Injector Spring	49-0088	1
9	Bolt	27-8432	1	53	O-ring (See 852-0056)	N/A Sep.	2
10	Bearing Disc	48-0047	1	54	Injector Piston	46-0418	1
11	Bearing	48-0048	1	55	Flexible Ring	25-0277	1
12	Bearing Disc	48-0049	1	56	Injector Regulation Knob	46-0469	1
13	Pump Housing	46-0426	1	57	Garden Hose Connection	23-0162	1
14	Piston Spring Retainer	46-0362	3	58	Gasket	26-0166	1
15	Piston	46-0578	3	59	Inlet Connector	23-0188	1
16	Piston Spring	49-0081	3	60	O-ring	25-0273	2
17	Oil Drain Plug	39-0065	3	61	Screw	27-8822	2
18	Gasket	26-0168	3	62	Manifold	46-0629	1
19	Lockwasher	29-0154	8	63	Manifold Plug	39-0072	1
20	Bolt	27-8194	4	64	Screw	27-8198	1
21	Oil Seal (See 70-0001)	N/A Sep.	3	65	Bolt	27-8857	4
22	O-ring (See 70-0002)	N/A Sep.	3	66	Back-up Ring	25-0247	2
23	O-ring (See 70-0002)	N/A Sep.	3	67	Piston By-pass (See 70-0120)	N/A Sep.	1
24	V-Packing Retainer	9-0060	3	68	Pressure Regulator (See 70-0120)	N/A Sep.	1
25	V-Packing (See 70-0002)	N/A Sep.	3	69	Roll Pin	46-0421	1
26	Pack Ring (See 70-0002)	N/A Sep.	3	70	Back-up Ring (See 70-0120)	N/A Sep.	1
27	Valve Plug	46-0628	6	71	Plug (See 70-0120)	N/A Sep.	1
28	O-ring	25-0335	12	72	Washer	46-0624	1
29	Valve Complete (See 70-0003)	N/A Sep.	6	73	Pressure Regulation Spring	49-0109	1
30	Valve Cage (See 70-0003)	N/A Sep.	6	74	Washer	46-0648	1
31	Valve Spring (See 70-0003)	N/A Sep.	6	75	Pressure Regulation Screw	46-0623	1
32	Valve Plate (See 70-0003)	N/A Sep.	6	76	Screw Support	27-8853	1
33	Valve Seat (See 70-0003)	N/A Sep.	6	77	Bolt	27-8810	1
34	Screw	27-8821	2	78	Internal Screw	27-8852	1
35	O-ring	25-0230	2	79	Pressure Regulation Knob	7-0091	1
36	Valve Seat	46-0409	1	80	Screw	27-8086	1
37	Ball	46-0394	1	81	Cap	7-0088	1
38	Valve Spring	46-0411	1		Oil Seal Kit (3 each of 21)	70-0001	
39	O-ring	25-0255	3		V-Packing Kit (3 each of 22, 23, 25, 26)	70-0002	
40	Plug	46-0412	1		Valve Kit (6 each of 28 & 29)	70-0003	
41	O-ring	25-0334	1		Unloader Seat (1 each 35-40)	70-0110	
42	No Return Valve	46-0626	1		Unloader Stem Kit (1 each of 35, 39, 53, 66-81)	70-0120	
43	Spring	49-0110	1		Injector Repair Kit (1 ea. 48-50, 53)	852-0056	
44	Injector Body	46-0620	1		Manifold Assy. (1 each 22-56, 59-64, 66-81)	70-0136	

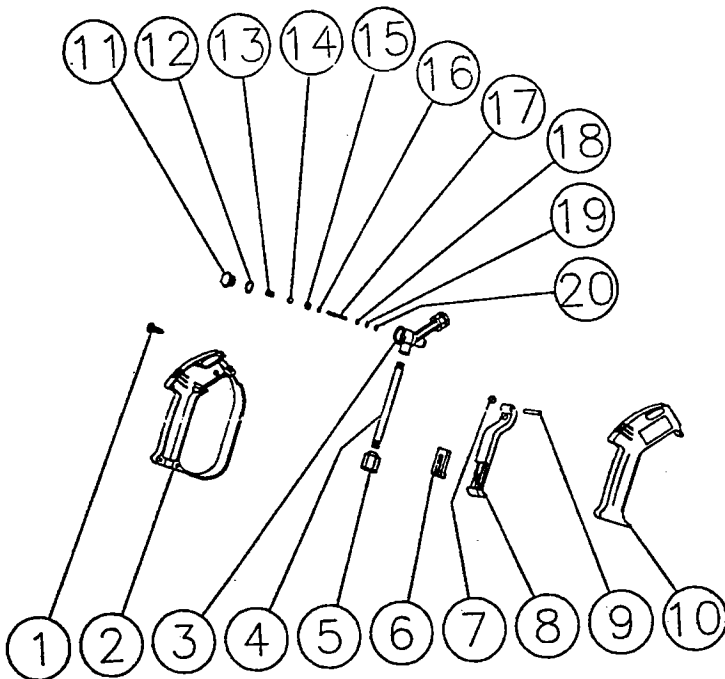
GUN & LANCE ASSEMBLY FOR CV-2200



GUN (851-0245) & LANCE (851-0254) ASSEMBLY			
Ref. #	Description	Part #	Qty.
1	Gun Assembly	16-0190	1
2	Protective Cover	62-0091	2
3	Insulated Lance	16-9001	1
4	Retaining Ring	33-0235	1
5	Hand Wheel	16-0303	1
6	Plug/Screw Connect	23-0267	1
7	O-ring	25-0291	1
8	Adapter	23-0266	1
9	Insulated Lance	16-9002	1
10	Variable Nozzle (1.1mm)	18-0273	1
	Gun Assembly (Includes 1-7)	851-0245	
	Variable Nozzle Assy. (Inc. 2, 8-10)	851-0254	



VARIABLE NOZZLE (18-0273) ASSEMBLY			
REF. #	DESCRIPTION	PART #	QTY.
1	Nozzle Body	18-0284	1
2	Back-up Ring	25-0346	1
3	O-ring	25-0345	1
4	Back-up Ring	25-0344	1
5	O-ring	25-0343	1
6	Nozzle 1.1mm	18-0281	1
7	Plastic Housing	N/A	1
8	Pin	43-0083	1
9	O-ring	25-0342	1
10	Angle Plate	18-0283	1
11	Nozzle Protector	18-0282	1
12	Identification Pin (1.1mm / Red)	18-0285	1
	Variable Nozzle Assembly Complete	18-0274	



GUN (16-0190) ASSEMBLY			
REF. #	DESCRIPTION	PART #	QTY.
1	Screw	27-8382	13
2	Plastic Housing (Left Side)	16-0189	1
3	Housing	23-0183	1
4	Pipe	21-0095	1
5	Nipple	23-0173	1
6	Trigger Safety Lock	16-0188	1
7	Trigger Rest	16-0186	1
8	Trigger	16-0187	1
9	Trigger Pin	43-0069	1
10	Plastic Housing (Right Side)	16-0185	1
11	Plug (See 70-0057)	N/A Sep.	1
12	O-ring (See 70-0057)	N/A Sep.	1
13	Spring (See 70-0057)	N/A Sep.	1
14	Ball (See 70-0057)	N/A Sep.	1
15	Seat (See 70-0057)	N/A Sep.	1
16	O-ring (See 70-0057)	N/A Sep.	1
17	Pin (See 70-0057)	N/A Sep.	1
18	Washer (See 70-0057)	N/A Sep.	1
19	O-ring (See 70-0057)	N/A Sep.	1
20	Back-up Ring (See 70-0057)	N/A Sep.	1
	Gun Repair Kit (Includes 11-20)	70-0057	
	Gun Assembly Complete	16-0190	

