

Mi-T-M® CORPORATION ■ Peosta, IA 52068

ILLUSTRATED PARTS LIST

FOR PRESSURE WASHER MODEL:

CW-2004-0ME3

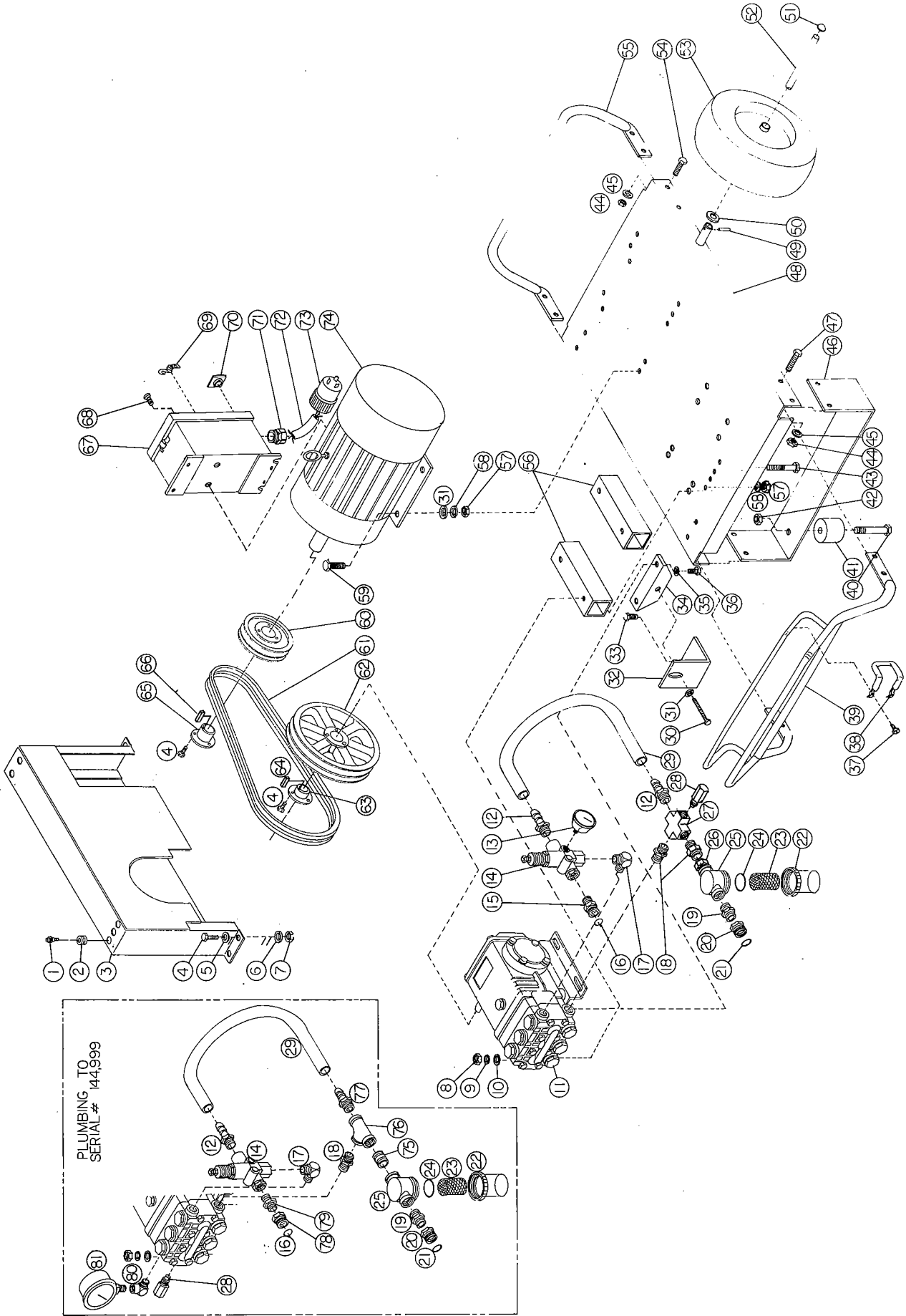
(SERIAL #000001-)

| CW-2004-0ME3 PARTS LISTING KEY | |
|---------------------------------------|----------|
| PUMP PART#: | 3-0008 |
| GEAR REDUCTION PART#: | NA |
| UNLOADER PART #: | 8-0031 |
| GUN/WAND ASSEMBLY PART #: | 851-0095 |
| GUN PART #: | 16-0001 |

SPECIFICATIONS:

MAXIMUM PRESSURE 20000 PSI
 MAXIMUM FLOW 3.8 GPM
 NOZZLE SIZE #5.5
 PUMP OIL CAPACITY 33.8 OZ.
 PUMP OIL GRADE SAE #30W NON-DET

MODEL CW-2004-0ME3



MODEL CW-2004-0ME3

| Ref. No. | Description | Part No. | Ref. No. | Description | Part No. |
|----------|-----------------------------------------------|----------|----------|---------------------------------------|----------|
| 1 | Nozzle, 00055..... | 18-0035 | 40 | Bolt..... | 27-0068 |
| 1 | Nozzle, 15055..... | 18-0041 | 41 | Isolator..... | 14-0008 |
| 1 | Nozzle, 25055..... | 18-0062 | 42 | Hex locknut..... | 30-0157 |
| 1 | Nozzle, 40055..... | 18-0132 | 43 | Bolt..... | 27-0173 |
| 2 | Grommet..... | 33-0001 | 44 | Hex nut..... | 30-0004 |
| 3 | Beltguard..... | 6-0002 | 45 | Lockwasher..... | 29-0007 |
| 4 | Bolt..... | 27-0015 | 46 | Underbracket..... | 13-0042 |
| 5 | Flatwasher..... | 28-0002 | 47 | Bolt..... | 27-0067 |
| 6 | Lockwasher..... | 29-0006 | 48 | Base plate..... | 5-0061 |
| 7 | Hex nut..... | 30-0002 | 49 | Roll pin..... | 43-0002 |
| 8 | Hex nut..... | 30-0008 | 50 | Flatwasher..... | 28-0008 |
| 9 | Lockwasher..... | 29-0009 | 51 | Hub cap..... | 33-0018 |
| 10 | Flatwasher..... | 28-0005 | 52 | Axle..... | 20-0008 |
| 11 | Pump..... | 3-0007 | 53 | Wheel..... | 14-0006 |
| 12 | Hose barb..... | 23-0007 | 54 | Bolt..... | 27-0066 |
| 13 | Pressure gauge..... | 22-0106 | 55 | Rear handle..... | 7-0011 |
| 14 | Unloader valve complete..... | 8-0031 | 56 | Pump mounts..... | 13-0028 |
| 15 | Quick connect socket..... | 17-0029 | 57 | Hex nut..... | 30-0006 |
| 16 | O-ring..... | 25-0123 | 58 | Lockwasher..... | 29-0008 |
| 17 | Elbow..... | 24-0003 | 59 | Bolt..... | 27-0118 |
| 18 | Hex nipple..... | 23-0012 | 60 | Motor sheave..... | 10-0042 |
| 19 | Hex nipple..... | 23-0026 | 61 | Belt..... | 11-0028 |
| 20 | Garden hose swivel..... | 23-0021 | 62 | Pump sheave..... | 10-0026 |
| 21 | Garden hose gasket..... | 26-0001 | 63 | Pump bushing shaft..... | 9-0017 |
| 22 | Strainer bowl..... | 19-0025 | 64 | Key-pump shaft..... | 43-0028 |
| 23 | Stainless steel screen..... | 19-0015 | 65 | Bushing-motor shaft..... | 9-0010 |
| 24 | Strainer gasket..... | 26-0072 | 66 | Key-motor shaft..... | 43-0039 |
| 25 | Strainer cap..... | 19-0024 | 67 | Starter box..... | 32-0036 |
| 25 | Strainer complete (includes items 22-25)..... | 19-0004 | 68 | Screw..... | 37-2120 |
| 26 | Hex bushing..... | 23-0023 | 69 | Heater coil..... | 32-0018 |
| 27 | Cross-all female..... | 23-0071 | 70 | Starter switch (Included in box)..... | 32-0036 |
| 28 | Heat dump valve..... | 22-0005 | 71 | Cord connector..... | 32-0040 |
| 29 | Bypass hose..... | 15-0035 | 72 | Power cord (10 feet required)*..... | 32-0025 |
| 30 | Bolt..... | 27-0576 | 73 | Plug..... | 32-0118 |
| 31 | Flatwasher..... | 28-0023 | 74 | Electric motor..... | 2-0012 |
| 32 | Tightener brace angle..... | 13-0003 | 75 | Close nipple..... | 23-0003 |
| 33 | Bolt..... | 27-0117 | 76 | Tee..... | 23-0009 |
| 34 | Tightener angle with nut..... | 13-0050 | 77 | Hose barb..... | 23-0008 |
| 35 | Lockwasher..... | 29-0055 | 78 | Quick connect socket..... | 17-0004 |
| 36 | Bolt..... | 27-8471 | 79 | Hex nipple..... | 23-0018 |
| 37 | Screw..... | 27-3061 | 80 | Elbow..... | 24-0004 |
| 38 | Wand holder..... | 20-0181 | 81 | Pressure gauge..... | 22-0007 |
| 39 | Front handle..... | 7-0010 | | *Order in 1 foot lengths. | |