



Mi-T-M[®] CORPORATION

8545 Kapp Dr., Peosta, IA 52068
319-556-7484 / Fax 319-556-1235

(Serial #188023 -)

PARTS LISTING

MODEL
CW-6106-1MDK

COLD WATER
PRESSURE WASHER

CONTENTS

	Page
INTRODUCTION.....	3
FRAME ASSEMBLY.....	4-5
PLUMBING ASSEMBLY.....	6-7
PUMP ASSEMBLY.....	8-9
SAFETY VALVE ASSEMBLY.....	10
UNLOADER ASSEMBLY.....	11
HOSE/GUN/WAND ASSEMBLY.....	12
GUN ASSEMBLY.....	13

In a continued commitment to improve quality, Mi-T-M® Corporation reserves the right
to make component or design changes when necessary.

INTRODUCTION

This Parts Listing has been compiled for your benefit. You can be assured your Mi-T-M® pressure washer was constructed and designed with quality in mind using over 21 years experience in the pressure washer business. Each component has been tested to insure the highest level of acceptance.

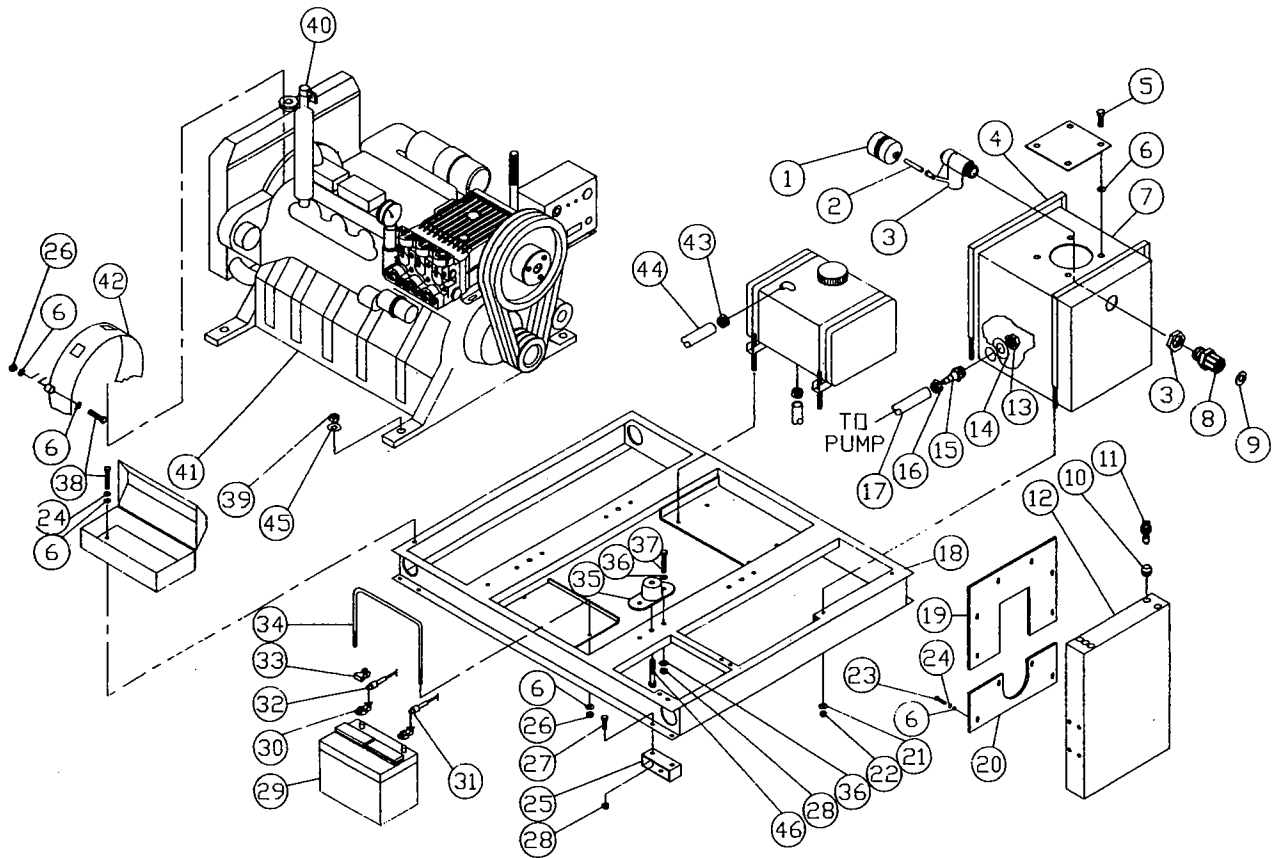


THIS IS A PROFESSIONAL HIGH PRESSURE WASHER PRODUCING 6.3 GPM AT 6100 PSI. EXTREME CAUTION SHOULD BE OBSERVED WHEN USING OR REPAIRING THIS MACHINE! IT IS IMPERATIVE THAT YOU READ AND FOLLOW THE SAFETY WARNINGS LISTED BELOW BEFORE ATTEMPTING ANY REPAIRS ON THIS MACHINE!

SAFETY WARNINGS

1. **NEVER** make adjustments on machinery while it is connected to the engine without first removing the positive cable from the battery. Turning over the machinery by hand during adjustment or cleaning might start the engine and machinery with it, causing serious injury to the operator.
2. **NEVER** alter or modify equipment - your personal safety as well as the function of the equipment is at stake.
3. Use **ONLY** genuine Mi-T-M parts for repair of your pressure washer. Failure to do so can cause hazardous operating conditions and will void warranty.
4. Be sure any accessory items and system components being used will withstand the pressure developed.
5. When servicing this machine, be especially careful to properly dispose of any flammable materials.

ILLUSTRATION 1
CW-6106-1MDK FRAME ASSEMBLY EXPLODED VIEW

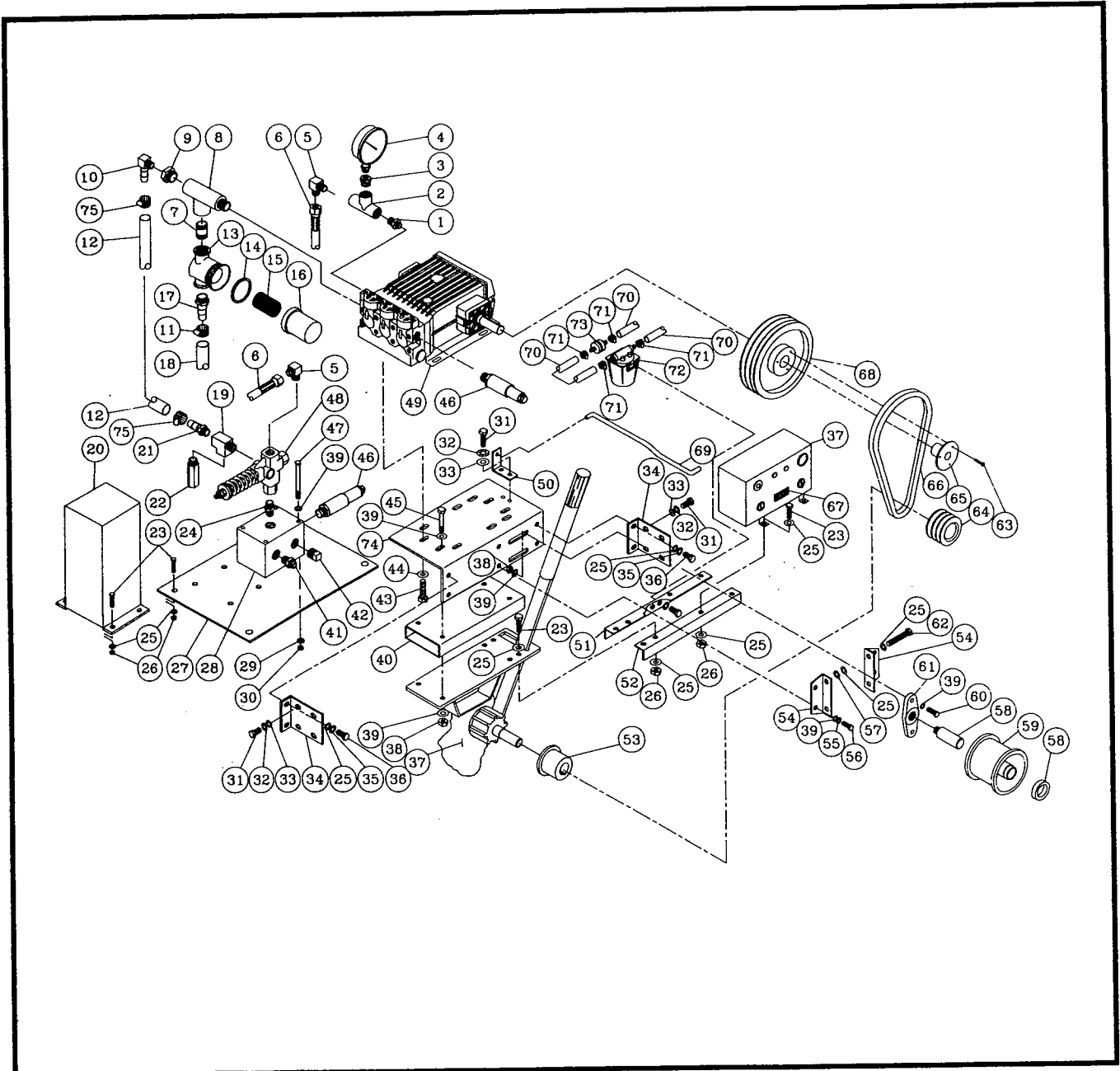


CW-6106-1MDK FRAME ASSEMBLY PARTS LISTING

Ref. No.	Description	Part No.
1	Float ball	22-0059
2	Stud-float ball.....	31-3318
3	Float valve.....	22-0058
4	Bracket-float tank	20-0049
5	Screw	27-2930
6	Flatwasher.....	28-0002
7	Float tank.....	12-0003
8	Garden hose swivel.....	23-0001
9	Garden hose gasket.....	26-0001
10	Grommet.....	33-0001
11	Nozzle-0005	851-0039
11	Nozzle-1505	851-0042
11	Nozzle-2505	851-0040
11	Nozzle-4005	851-0017
12	Belt guard	6-0029
13	Jam nut.....	30-9507
14	Washer-rubber gasket.....	26-0115
15	Hose barb.....	23-0090
16	Worm clamp.....	42-0018
17	Hose (3 feet required)*	15-0050
18	Base frame.....	5-0043
19	Plate-belt guard top	20-0036
20	Plate-belt guard bottom.....	20-0037
21	Washer	28-0003
22	Hex locknut.....	30-0157
23	Hex bolt	27-0015
24	Lockwasher.....	29-0006
25	Skid foot.....	20-0048
26	Hex locknut.....	30-0155
27	Hex bolt	27-0166
28	Hex locknut.....	30-0161
29	Battery, 575 CCA.....	32-0177
30	Battery terminals	32-0066
31	Terminals	32-0099
32	Cable (Provided with engine)	N/A
33	Battery cable end cover.....	33-0036
34	Bracket-battery hold down	13-0066
35	Isolator	14-0024
36	Flatwasher.....	28-0024
37	Hex bolt	27-0167
38	Hex bolt	27-0015
39	Hex nut	30-0163
40	Raincap.....	33-0050
41	Engine-Kubota.....	1-0040
42	Fan guard	6-0030
43	Worm clamp.....	42-0004
44	Fuel line hose (2 feet required)*	15-0032
45	Flatwasher.....	28-0008
46	Bolt.....	27-0230

*Order in 1 foot lengths.

ILLUSTRATION 2
CW-6106-1MDK PLUMBING ASSEMBLY EXPLODED VIEW



CW-6106-1MDK PLUMBING ASSEMBLY PARTS LISTING

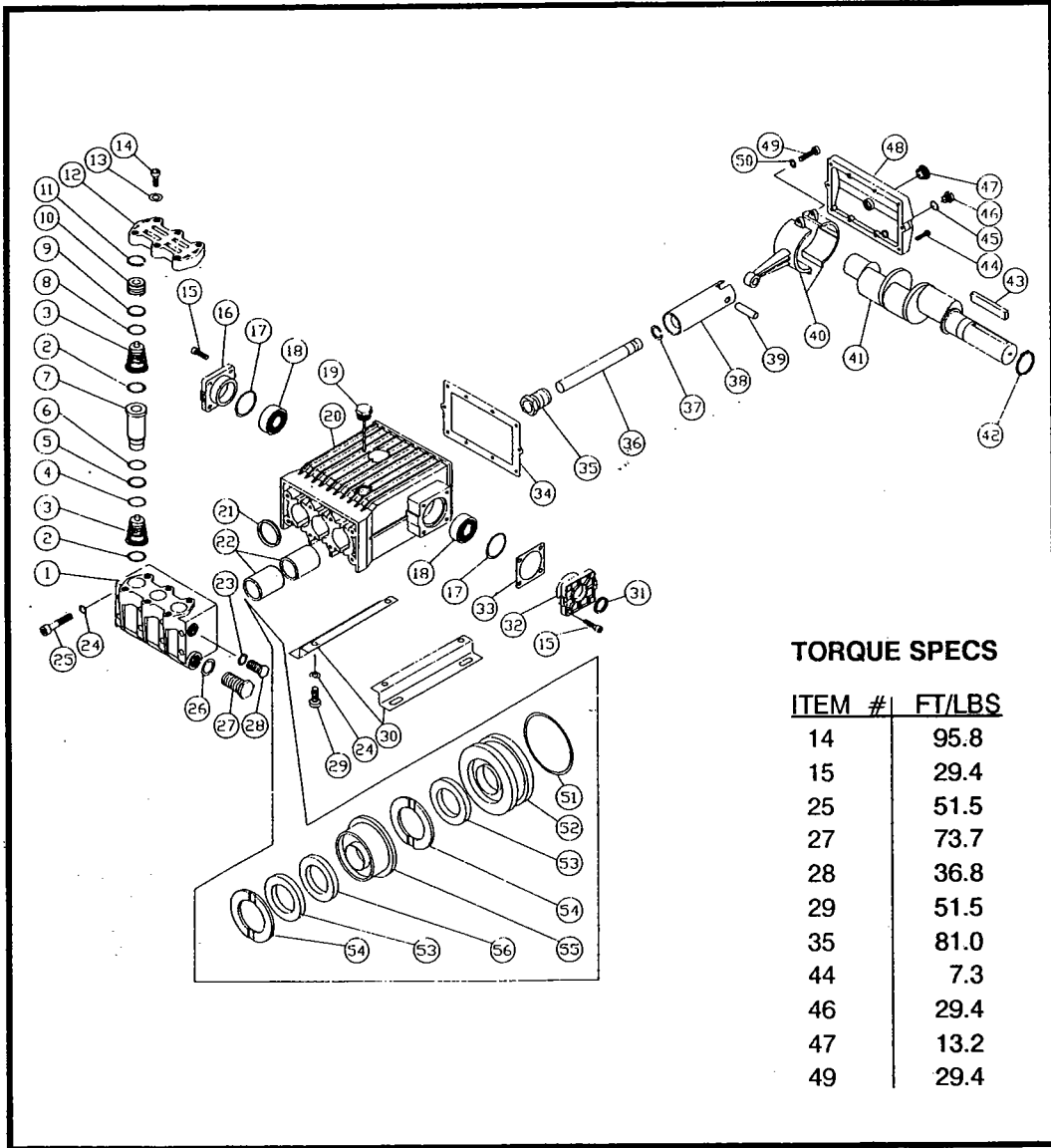
Ref. No.	Description	Part No.
1	Hex nipple.....	24-0031
2	Tee	24-0055
3	Hex reducer.....	24-0053
4	Pressure gauge	22-0079
5	Elbow, 90°.....	24-0074
6	High pressure hose	15-0132
7	Close nipple.....	23-0092
8	Street tee	24-0117
9	Hex reducer.....	23-0226
10	Hose barb, 90°.....	23-0037

(CW-6106-1MDK PLUMBING ASSEMBLY PARTS LISTING, CONT'D)

Ref. No.	Description	Part No.
11	Worm clamp	42-0018
12	By-pass hose (2 feet required)*	15-0033
13	Strainer cap	19-0047
14	Strainer gasket	19-0048
15	Stainless steel screen	19-0037
16	Strainer bowl.....	19-0046
	Strainer complete (Includes items 13-16).....	19-0035
17	Hose barb.....	23-0091
18	Hose (3 feet required)*	15-0050
19	Street tee	23-0124
20	Unloader cover.....	20-0341
21	Hose barb.....	23-0036
22	Heat dump valve	22-0005
23	Bolt.....	27-0067
24	Hex nipple.....	24-0031
25	Flatwasher.....	28-0003
26	Locknut	30-0157
27	Mounting plate.....	20-0342
28	Manifold block	51-0014
29	Flatwasher.....	28-0022
30	Locknut	30-0159
31	Bolt.....	27-0015
32	Lockwasher.....	29-0006
33	Flatwasher.....	28-0002
34	Angle-beltguard support	20-0040
35	Lockwasher.....	29-0007
36	Bolt.....	27-0066
37	Engine (Clutch included)	1-0040
38	Locknut	30-0159
39	Flatwasher.....	28-0022
40	Pump riser	20-0039
41	Connector	24-0054
42	Plug.....	39-0016
43	Bolt.....	27-8301
44	Lockwasher.....	29-0159
45	Bolt.....	27-0127
46	Safety relief valve	22-0078
47	Bolt	27-0133
48	Unloader	8-0373
49	Pump complete	3-0048
50	Bracket-engine kill lever.....	20-0047
51	Panel bracket-right hand	20-0044
52	Panel bracket-left hand	20-0043
53	Bushing-clutch shaft.....	9-0038
54	Angle tightener	20-0041
55	Lockwasher.....	29-0010
56	Bolt.....	27-0117
57	Lockwasher.....	30-0107
58	Shaft-idler flange	10-0055
59	Idler pulley	10-0053
60	Bolt.....	27-0119
61	Flange-idler tightener	10-0054
62	Bolt.....	27-0532
63	Bolt.....	27-0121
64	Sheave-engine clutch.....	10-0051
65	Bushing.....	9-0039
66	Belt	11-0025
67	Hour meter.....	32-0183
68	Sheave-pump	10-0052
69	Engine kill lever	20-0046
70	Hose-fuel line (2 feet required)*	15-0020
71	Worm clamp	42-0004
72	Fuel pump.....	3-0017
73	Fuel filter	19-0036
74	Pump support.....	20-0038
75	Worm clamp	42-0004

*Order in 1 foot lengths.

**ILLUSTRATION 3
PUMP ASSEMBLY (3-0048) EXPLODED VIEW**



TORQUE SPECS

ITEM #	FT/LBS
14	95.8
15	29.4
25	51.5
27	73.7
28	36.8
29	51.5
35	81.0
44	7.3
46	29.4
47	13.2
49	29.4

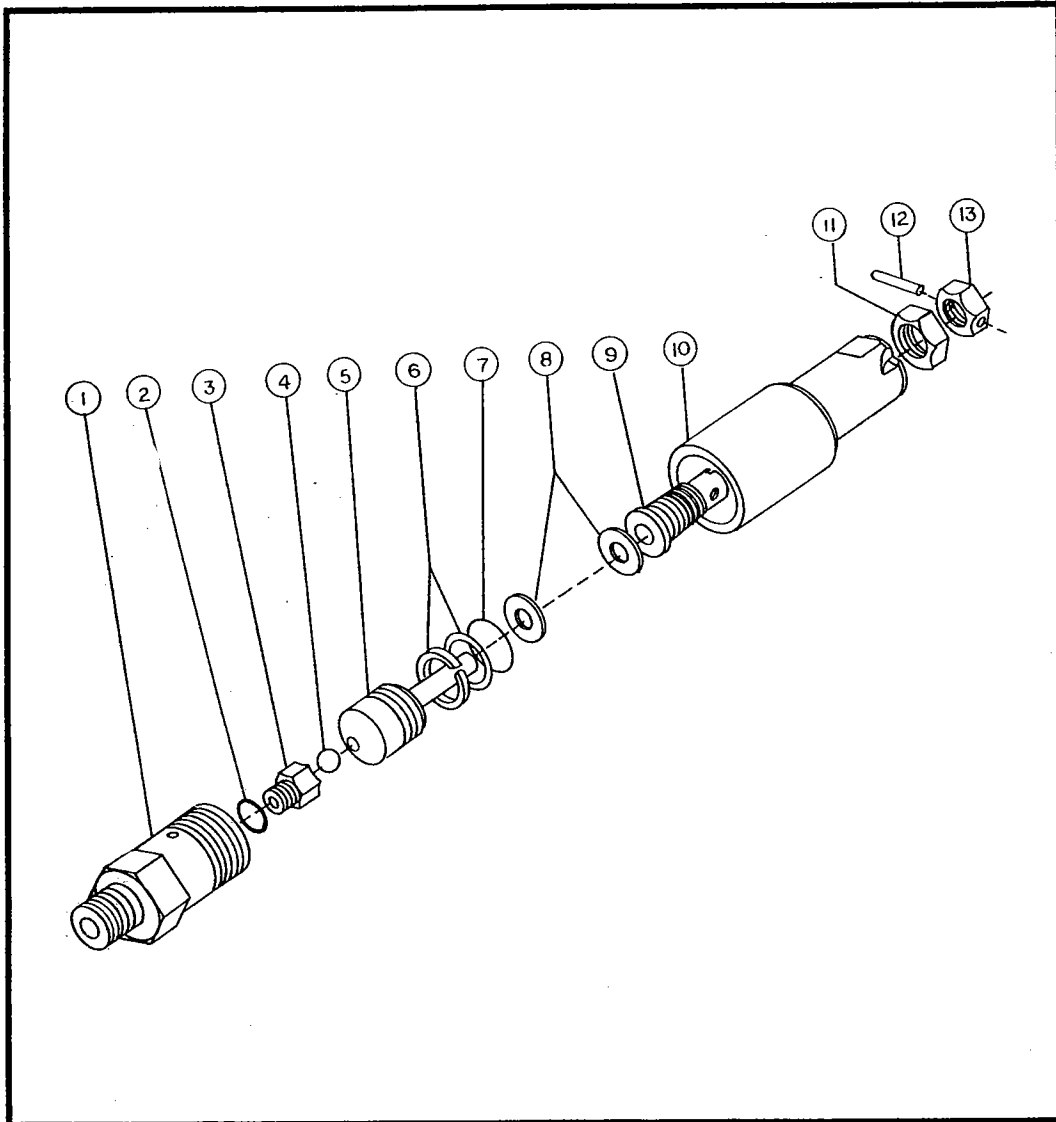
PUMP ASSEMBLY (3-0048) PARTS LISTING

Ref. No.	Description	Part No.
1	Manifold	46-0556
2	O-ring (Included with item 3).....	N/A
3	Valve assembly kit (Includes 6 ea. item 2)	46-0560
4	Anti-extrusion ring	25-0300
5	O-ring	25-0301
6	O-ring	25-0302
7	Valve guide	46-0559
8	O-ring	25-0303
9	Anti-extrusion ring	25-0304
10	Valve cap	39-0069
11	Circle clip	46-0557
12	Side cover.....	46-0558

(PUMP ASSEMBLY (3-0048) PARTS LISTING, CONT'D)

Ref. No.	Description	Part No.
13	Washer.....	28-0206
14	Screw.....	27-8180
15	Screw.....	27-8461
16	Side cover.....	48-0390
17	O-ring.....	25-0062
18	Crankshaft bearing.....	48-0020
19	Oil dipstick.....	46-0174
20	Crankcase.....	46-0173
21	Oil seal (Plunger).....	26-0108
22	Bushing.....	9-0040
23	Washer.....	28-0601
24	Washer.....	29-0156
25	Screw.....	27-8387
26	Washer.....	26-0603
27	Plug.....	39-0036
28	Plug.....	39-0037
29	Screw.....	27-8301
30	Foot.....	46-0185
31	Oil seal (Crankshaft).....	26-0051
32	Crankshaft cover.....	46-0392
33	Shim/Gasket.....	46-0184
34	Crankcase cover gasket.....	46-0175
35	Piston screw.....	46-0182
36	Piston.....	46-0181
37	Circle clip.....	46-0180
38	Piston guide.....	46-0179
39	Piston pin.....	43-0046
40	Connecting rod.....	46-0178
41	Crankshaft.....	46-0176
42	Circle clip.....	46-0105
43	Key.....	43-0045
44	Screw.....	27-8403
45	O-ring.....	25-0052
46	Plug.....	39-0018
47	Oil level indicator.....	46-0114
48	Crankcase cover.....	46-0391
49	Screw.....	27-8466
50	Washer.....	29-0155
51	O-ring.....	25-0147
52	Packing retainer.....	46-0186
53	Packing.....	26-0098
54	Head ring.....	46-0059
55	Intermediate ring.....	46-0188
56	Restop ring.....	25-0148
	Pump complete.....	3-0048
	Packing kit (Includes 3 ea. item 56 and 6 ea. item 53).....	46-0194

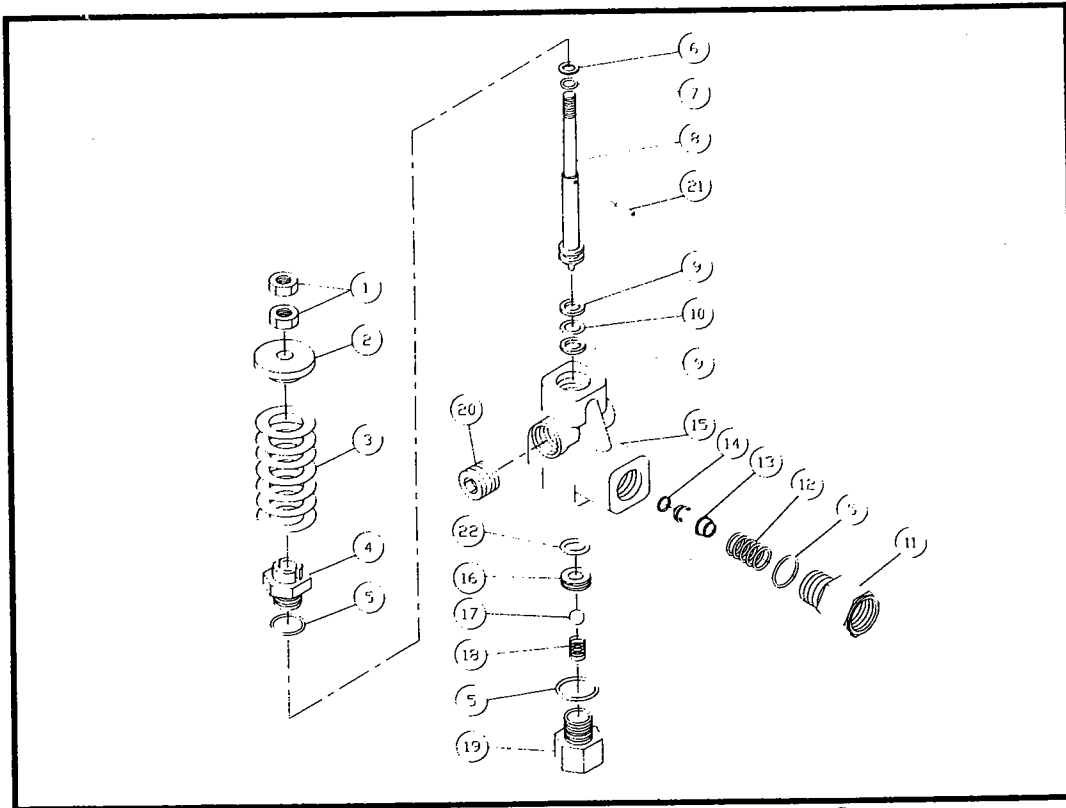
ILLUSTRATION 4
SAFETY VALVE COMPONENT (22-0078) EXPLODED VIEW



SAFETY VALVE COMPONENT (22-0078) PARTS LISTING

Ref. No.	Description	Part No.
1	Valve seat.....	8-0199
2	O-ring	25-0120
3	Seat insert.....	8-0200
4	Ball	8-0201
5	Piston assembly	8-0202
6	Compression ring.....	8-0209
7	O-ring	25-0149
8	Spring washer (19 included)	28-0604
9	Regulator adjusting screw	8-0203
10	Valve body	8-0204
11	Nut.....	30-3010
12	Pin	43-0035
13	Nut.....	8-0205

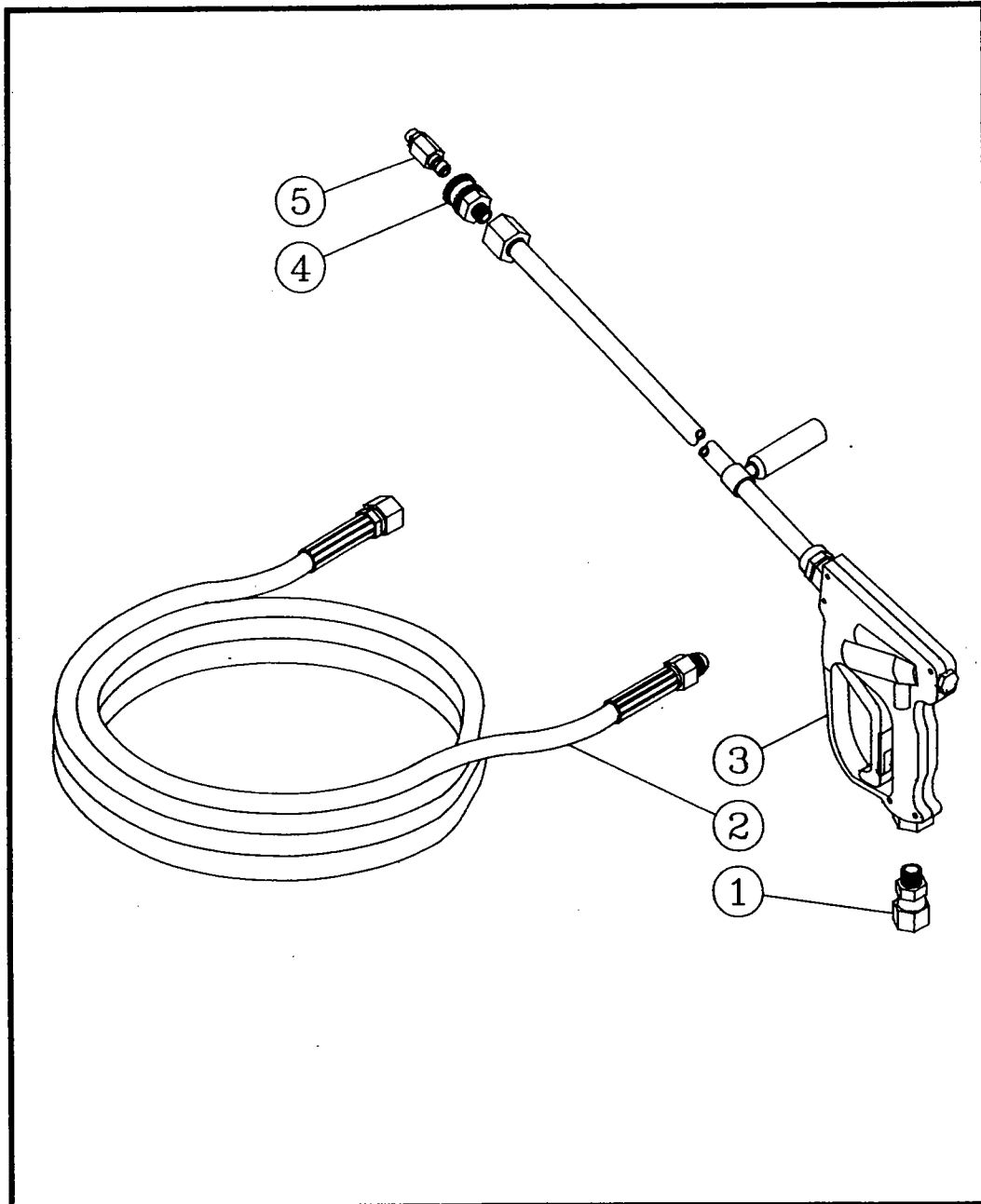
ILLUSTRATION 5
UNLOADER ASSEMBLY (8-0373) EXPLODED VIEW



UNLOADER ASSEMBLY(8-0373) PARTS LISTING

Ref. No.	Description	Part No.
1	Hex nut	30-7203
2	Spring guide	8-0278
3	Spring	49-0098
4	Piston housing	8-0374
5	O-ring	25-0189
6	Back-up ring	8-0277
7	O-ring	25-0313
8	Piston	8-0375
9	Back-up ring	8-0276
10	O-ring	25-0314
11	Outlet connection	8-0376
12	Check valve spring	49-0058
13	Check valve	22-0202
14	O-ring	25-0193
15	Unloader body	8-0377
16	Seat	8-0378
17	Stainless steel ball	8-0273
18	Spring	49-0059
19	Inlet connection	8-0379
20	Plug	39-0070
21	Pin	43-0059
22	O-ring	25-0190
	Unloader repair kit (Includes items 5-7, 9, 10, 14, 16 and 17)	8-0380

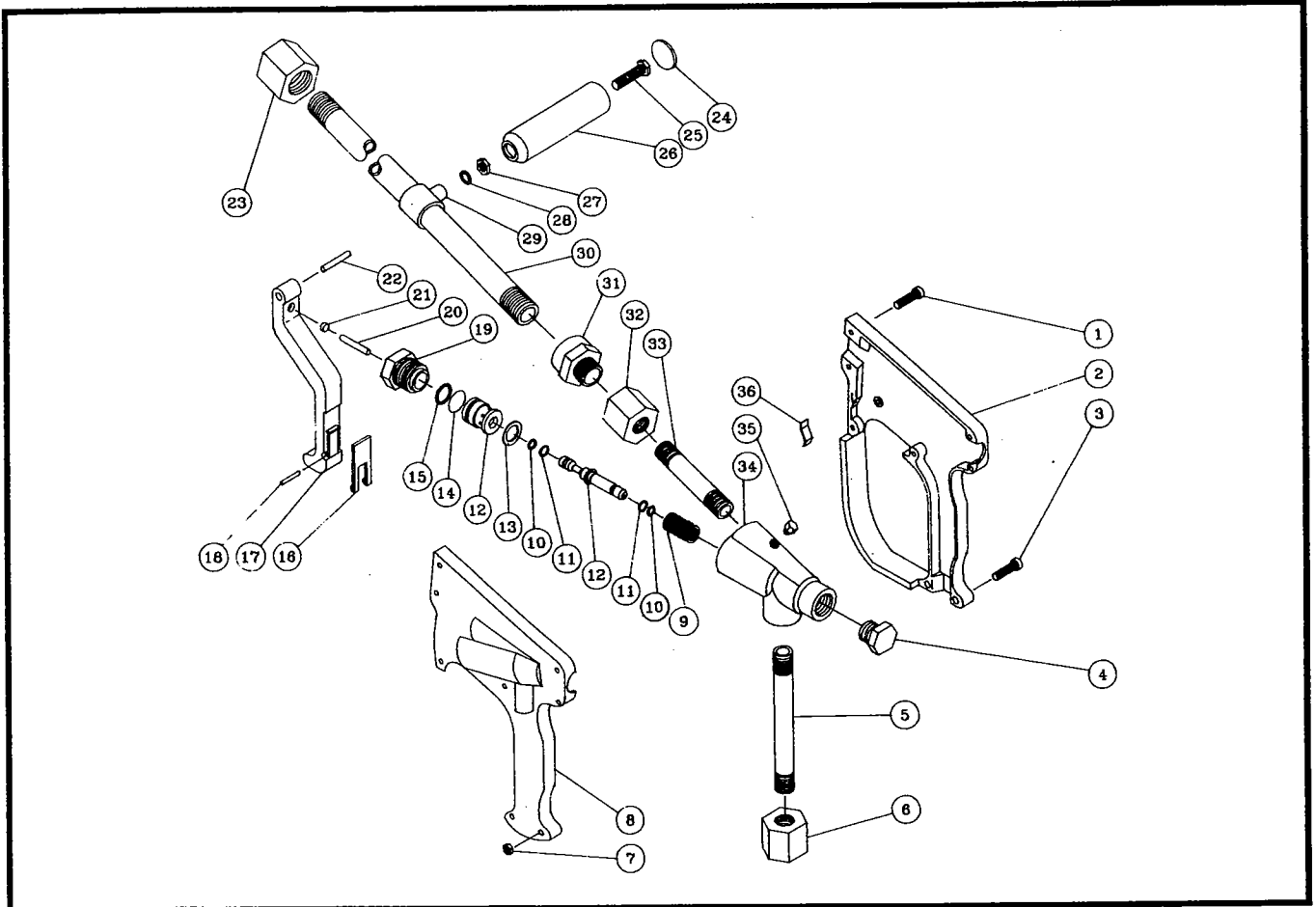
ILLUSTRATION 6
HOSE/GUN/WAND ASSEMBLY EXPLODED VIEW



HOSE/GUN/WAND ASSEMBLY PARTS LISTING

Ref. No.	Description	Part No.
1	Connector.....	24-0115
2	Hose assembly.....	15-0131
3	Gun assembly.....	16-0107
4	Quick connect.....	17-0020
5	0° nozzle.....	851-0039
5	15° nozzle.....	851-0042
5	25° nozzle.....	851-0040
5	40° nozzle.....	851-0017

ILLUSTRATION 7
TRIGGER CONTROL GUN ASSEMBLY (16-0107) EXPLODED VIEW



TRIGGER CONTROL GUN ASSEMBLY (16-0107) PARTS LISTING

Ref. No.	Description	Part No.	Ref. No.	Description	Part No.
1	Screw	27-8834	20	Rod	43-0075
2	Housing-right side	16-0210	21	Striker	43-0077
3	Screw	27-8835	22	Pin	43-0074
4	Plug	23-0228	23	Connector	24-0116
5	Inlet tubing	16-0211	24	Plug for grip	16-0208
6	Inlet connector	23-0231	25	Screw	27-8832
7	Nut	30-6010	26	Grip handle	62-0082
8	Housing-left side	16-0207	27	Nut	30-6011
9	Spring	49-0097	28	Washer	28-1016
10	Ring	25-0309	29	Grip handle frame	33-1092
11	O-ring	25-0310	30	Lance (4 ft. long)	16-0215
12	Piston	46-0561	31	Adapter	23-0229
13	Washer	28-1016	32	Outlet connector	23-0231
14	O-ring	25-0311	33	Outlet tubing	16-0209
15	Back-up ring	25-0312	34	Gun body	23-0230
16	Trigger lock	62-0083	35	Screw	27-8833
17	Trigger	16-0212	36	Spring	49-0096
18	Pin	43-0076		Gun repair kit (Includes items 9-15)	16-0213
19	Plug	23-0227			