



Performance Under Pressure

PARTS LIST FOR
CWC-3008-2MGH

| | |
|----------------------|----------------------|
| ENGINE OIL GRADE: | SAE10W-30 |
| ENGINE OIL CAPACITY: | 54 oz. |
| PUMP OIL GRADE: | Mi-T-M #AW-4085-0016 |
| PUMP OIL CAPACITY: | 31 oz. |
| PRESSURE NOZZLE: | 9.0 |

This Parts Listing has been compiled for your benefit. You can be assured your Mi-T-M Cold Water Pressure Washer was constructed and designed with quality and performance in mind using over 25 years experience in the pressure washer business. Each component has been rigorously tested to insure the highest level of acceptance.

The contents of this Parts Listing are based on the latest product information available at the time of publication. Mi-T-M reserves the right to make changes in price, color, materials, equipment, specifications or models at any time without notice.

WARNING

THIS IS A PROFESSIONAL HIGH PRESSURE, COLD WATER PRESSURE WASHER. CAUTION SHOULD BE OBSERVED WHEN USING OR REPAIRING THIS UNIT! READ AND FOLLOW THE SAFETY WARNINGS LISTED BELOW BEFORE ATTEMPTING ANY REPAIRS ON THIS PRESSURE WASHER!

SAFETY WARNINGS

1. NEVER alter or modify the equipment. Be sure any accessory items and system components being used will withstand the pressure developed. Use only genuine Mi-T-M parts for repair of your pressure washer. Failure to do so can cause hazardous operating conditions and will VOID warranty.
2. NEVER make adjustments on machinery while the unit is connected to the power source. Turning over the machinery by hand during adjustment or cleaning might start the machinery, causing serious injury to the operator.
3. Know how to stop and bleed pressures quickly. Be thoroughly familiar with controls.
4. Before servicing the unit, turn unit off, relieve the water pressure and allow the unit to cool down. Do not make repairs while the unit is running. Service in a clean, dry, flat area.
5. After testing the machine, DO NOT leave the pressurized unit unattended. Shut off the unit and release trapped pressure before leaving.

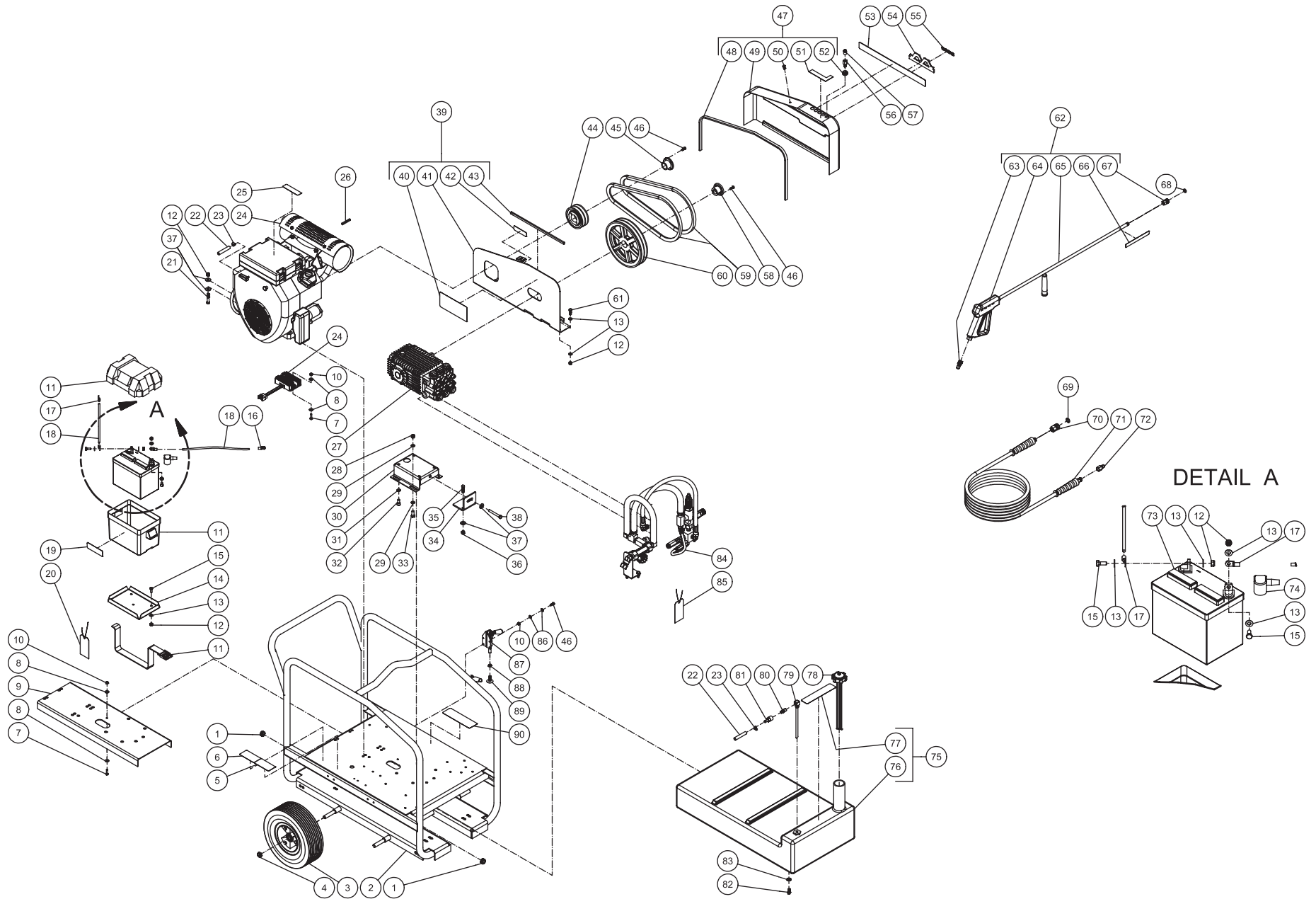
Table of Contents

| | |
|--|-----------|
| SPECIFICATIONS..... | 3 |
| FRAME ASSEMBLY (CWC-3008-2MGH) | 4 |
| PLUMBING ASSEMBLY (CWC-3008-2MGH) | 6 |
| PUMP ASSEMBLY (3-0279) | 8 |
| UNLOADER ASSEMBLY (8-0032) | 10 |
| GUN ASSEMBLY (16-0001) | 12 |
| HONDA ENGINE ASSEMBLY (851-0357)..... | 14 |

SPECIFICATIONS

| MODEL NUMBER | CWC-3008-2MGH |
|--|--|
| Operating Pressure (PSI/Bar): | 3000/206.8 |
| High Pressure Nozzle: | 9.0 |
| Water Volume (GPM/lpm): | 7.8/29.5 |
| Engine: | Honda |
| Horsepower | 24.0 |
| Engine Type | 4 Stroke, Overhead Valve, V-Twin |
| Oil Type | SAE 10W-30 |
| Oil Capacity (oz./liter) | 54/1.6 |
| Low Oil Protection | Oil Alert™ |
| Fuel Type | Unleaded Gasoline 86 Octane Minimum |
| Fuel Capacity (gal./liter) | 11.5/43.5 |
| Starting | Electric Start |
| Maximum No Load RPM | 3600 (+/- 100) RPM |
| Pump: | Belt Driven, Oil Bath, Triplex Piston |
| Oil Type | Mi-T-M Pump Oil #AW-4085-0016 |
| Oil Capacity (oz./liters) | 31/0.91 |
| Plungers | Ceramic |
| Manifold | Forged Brass |
| Valves | Stainless Steel |
| Unloader | Pre-set |
| Thermal Relief Valve | Relieves heated water during unloader bypass stage |
| Unit Net Weight (lbs/Kg) | 388/176 |
| Unit Shipping Weight (lbs/Kg) | 511/231.5 |
| Unit Net Dimension (in/cm) | 43Lx27.75Wx36H/109Lx70Wx91.5H |
| Unit Shipping Dimension (in/cm) | 46.5Lx31.5Wx48.5H/118Lx80Wx123H |

FRAME ASSEMBLY (CWC-3008-2MGH)



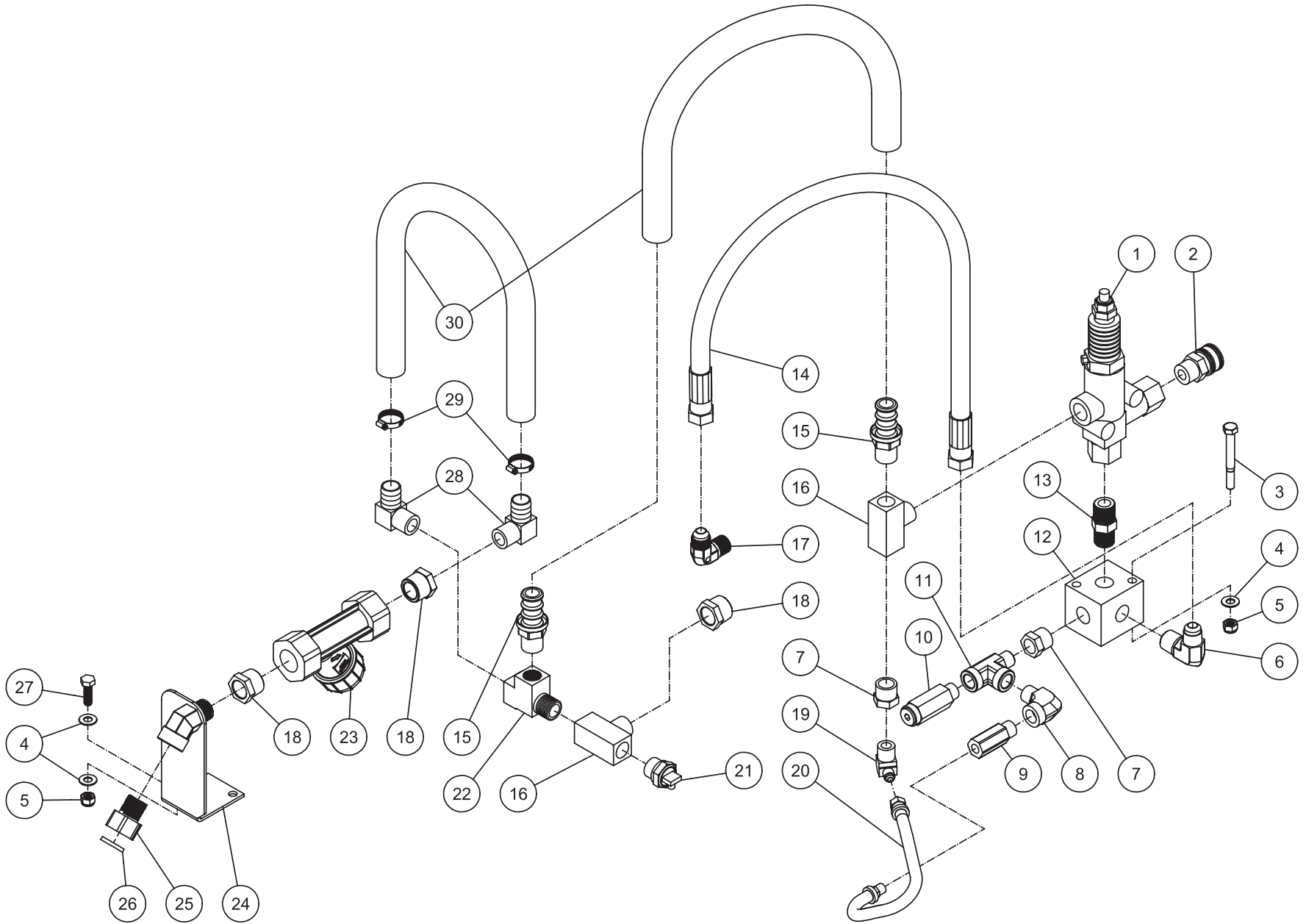
CWC-3008-2MGH-051906-JJT

FRAME ASSEMBLY (CWC-3008-2MGH)

| REF. # | DESCRIPTION | PART # | QTY. | REF. # | DESCRIPTION | PART # | QTY. | REF. # | DESCRIPTION | PART # | QTY. |
|--------|--|------------|------|--------|---|------------|------|--------|--|----------|------|
| 1 | Grommet | 33-0002 | 2 | 32 | Bolt | 27-8471 | 4 | 61 | Bolt | 27-0067 | 4 |
| 2 | Frame Assembly | 5-0136A42 | 1 | 33 | Bolt | 27-0167 | 4 | 62 | Gun/Lance Assembly (Inc. 63-67) | 851-0309 | 1 |
| 3 | Wheel | 14-0092 | 4 | 34 | Brace Tightener | 13-0003A01 | 1 | 63 | Quick Connect Plug | 17-0005 | 1 |
| 4 | Jamnut | 30-0117 | 4 | 35 | Bolt | 27-0118 | 2 | 64 | Gun | 16-0001 | 1 |
| 5 | Decal- Data Plate | N/A | 1 | 36 | Locknut | 30-0159 | 6 | 65 | Wand w/Handle | 16-0418 | 1 |
| 6 | Decal- California Emission | 34-1817 | 1 | 37 | Washer | 28-0023 | 11 | 66 | Decal- Warning: Risk of Injection (See 34-9017) | N/A Sep. | 1 |
| 7 | Bolt | 27-0016 | 3 | 38 | Bolt | 27-0576 | 1 | 67 | Quick Connect Socket | 17-0036 | 1 |
| 8 | Washer | 28-0021 | 6 | 39 | Beltguard Back Assembly (Inc. 40-43) | 851-0310 | 1 | 68 | O-ring (Replacement Only) | 25-0122 | 1 |
| 9 | Support Bracket | 13-0120A01 | 1 | 40 | Decal- Warning/Caution (See 34-9017) | N/A Sep. | 1 | 69 | O-ring (Replacement Only) | 25-0123 | 1 |
| 10 | Nut | 30-0155 | 5 | 41 | Beltguard Back (See 851-0310) | N/A Sep. | 1 | 70 | Quick Connect Socket | 17-0041 | 1 |
| 11 | Battery Box | 33-0092 | 1 | 42 | Decal- Warning: Beltguard (See 34-9017) | N/A Sep. | 1 | 71 | Hose | 15-0056 | 1 |
| 12 | Locknut | 30-0157 | 8 | 43 | Edging *(Two Feet Required) | 33-0020 | 1 | 72 | Quick Connect Plug | 17-0006 | 1 |
| 13 | Washer | 28-0003 | 14 | 44 | Sheave | 10-0043 | 1 | 73 | Battery | 32-0058 | 1 |
| 14 | Battery Retainer | 20-0264A01 | 1 | 45 | Bushing | 9-0010 | 1 | 74 | Battery Cable Cover | 33-0004 | 1 |
| 15 | Bolt | 27-0066 | 4 | 46 | Bolt | 27-0015 | 6 | 75 | Fuel Tank Assembly (Inc. 76-77) | 851-0319 | 1 |
| 16 | Terminal Ring | 32-0744 | 1 | 47 | Beltguard Cover Assembly (Inc. 48-52) | 851-0348 | 1 | 76 | Fuel Tank (See 851-0319) | N/A Sep. | 1 |
| 17 | Terminal Ring | 32-0097 | 3 | 48 | Edging *(Four Feet Required) | 33-0020 | 1 | 77 | Decal- Caution: Risk of Fire (See 34-9017) | N/A Sep. | 1 |
| 18 | Battery Cable *(Four Feet Required) Pos.=22" | 32-0065 | 1 | 49 | Beltguard Cover (See 851-0348) | N/A Sep. | 1 | 78 | Fuel Cap w/Gauge | 12-0061 | 1 |
| - | Battery Cable *(Four Feet Required) Neg.=16" | 32-0065 | 1 | 50 | Fastener | 33-0197 | 1 | 79 | Fuel Pickup | 33-0271 | 1 |
| 19 | Decal- Caution: Risk of Injury (See 34-9017) | N/A Sep. | 1 | 51 | Decal- Nozzles 0, 15, 25, 40 | 34-0500 | 1 | 80 | Quick Connect Plug | 17-0038 | 1 |
| 20 | Tag- Important Battery | 34-0096 | 1 | 52 | Grommet | 33-0001 | 5 | 81 | Quick Connect Socket | 17-0018 | 1 |
| 21 | Bolt | 27-0121 | 4 | 53 | Decal-Mi-T-M Stripe Large | 34-0501 | 1 | 82 | Bolt | 27-9524 | 4 |
| 22 | Fuel Line *(Three Feet Required) | 15-0008 | 1 | 54 | Mi-TM Logo | 62-0086 | 1 | 83 | Washer | 28-0022 | 4 |
| 23 | Hose Clamp | 42-0004 | 2 | 55 | Decal-White Die Cut 3008 | N/A | 1 | 84 | Plumbing Assembly (See Exploded Drawing) | N/A Sep. | 1 |
| 24 | Motor Assembly | 851-0357 | 1 | 56 | Quick Connect Plug | 17-0017 | 4 | 85 | Tag- Water Supply Inlet | 34-0097 | 1 |
| 25 | Decal- Warning: Risk of Burns (See 34-9017) | N/A Sep. | 1 | 57 | Spray Nozzle-0009 | 18-0172 | 1 | 86 | Washer | 28-0002 | 4 |
| 26 | Key | 43-0078 | 1 | - | Spray Nozzle-1509 | 18-0147 | 1 | 87 | Push/Pull Toggle Clamp | 33-0400 | 1 |
| 27 | Pump | 3-0279 | 1 | - | Spray Nozzle-2509 | 18-0173 | 1 | 88 | Hex Nut | 30-0004 | 1 |
| 28 | Locknut | 30-0161 | 4 | - | Spray Nozzle-4009 | 18-0174 | 1 | 89 | Elevator Bolt | 27-9550 | 1 |
| 29 | Washer | 28-0030 | 8 | 58 | Bushing | 9-0017 | 1 | 90 | Decal- Operation (See 34-9017) | N/A Sep. | 1 |
| 30 | Pump Bracket | 5-0101A01 | 1 | 59 | Belt | 11-0054 | 2 | | Safety Decal Kit (Inc. 19, 25, 40, 42, 66, 77, 90) | 34-9017 | |
| 31 | Washer | 29-0055 | 4 | 60 | Sheave | 10-0037 | 1 | | | | |

*Must Order in One Foot Lengths

PLUMBING ASSEMBLY (CWC-3008-2MGH)



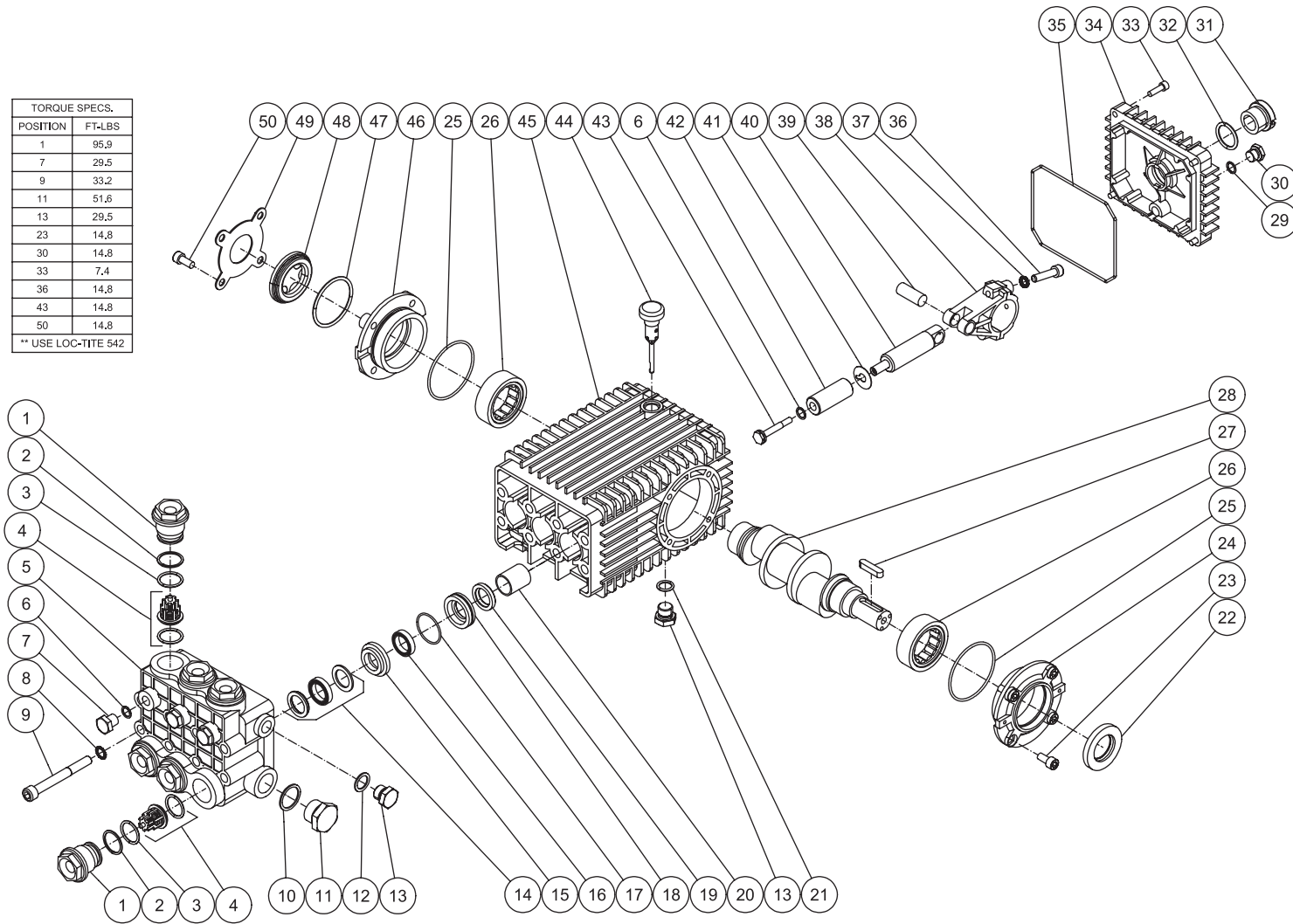
851-0365-080106-JJT

| PLUMBING ASSEMBLY (CWC-3008-2MGH) | | | | | | | |
|-----------------------------------|-----------------------------|---------|------|--------|----------------------|------------|------|
| REF. # | DESCRIPTION | PART # | QTY. | REF. # | DESCRIPTION | PART # | QTY. |
| 1 | Unloader Valve | 8-0032 | 1 | 16 | Tee | 23-0235 | 2 |
| 2 | Quick Connect Socket | 170029 | 1 | 17 | Elbow | 24-0092 | 1 |
| 3 | Bolt | 27-0074 | 2 | 18 | Bushing | 23-0023 | 3 |
| 4 | Washer | 28-0003 | 6 | 19 | Elbow | 23-0324 | 1 |
| 5 | Locknut | 30-0157 | 4 | 20 | Hose | 15-0140 | 1 |
| 6 | Elbow | 24-0074 | 1 | 21 | Thermal Relief Valve | 22-0005 | 1 |
| 7 | Bushing | 23-0016 | 2 | 22 | Street Tee | 23-0124 | 1 |
| 8 | Elbow | 24-0105 | 1 | 23 | Inlet Filter | 19-0238 | 1 |
| 9 | Easy Start Valve | 22-0242 | 1 | 24 | Inlet Bracket | 20-0428A01 | 1 |
| 10 | Safety Valve | 22-0376 | 1 | 25 | Garden Hose Swivel | 23-0095 | 1 |
| 11 | Street Tee | 23-0058 | 1 | 26 | Garden Hose Gasket | 26-0001 | 1 |
| 12 | Manifold Block | 51-0034 | 1 | 27 | Bolt | 27-0067 | 2 |
| 13 | Nipple | 24-0031 | 1 | 28 | Elbow | 23-0037 | 2 |
| 14 | High Pressure Hose Assembly | 15-0221 | 1 | 29 | Hose Clamp | 42-0003 | 2 |
| 15 | Hose Barb | 23-0007 | 2 | 30 | Hose | 15-0035 | 2 |

PUMP ASSEMBLY (3-0279)

| TORQUE SPECS. | |
|---------------|--------|
| POSITION | FT-LBS |
| 1 | 95.9 |
| 7 | 29.5 |
| 9 | 33.2 |
| 11 | 51.6 |
| 13 | 29.5 |
| 23 | 14.8 |
| 30 | 14.8 |
| 33 | 7.4 |
| 36 | 14.8 |
| 43 | 14.8 |
| 50 | 14.8 |

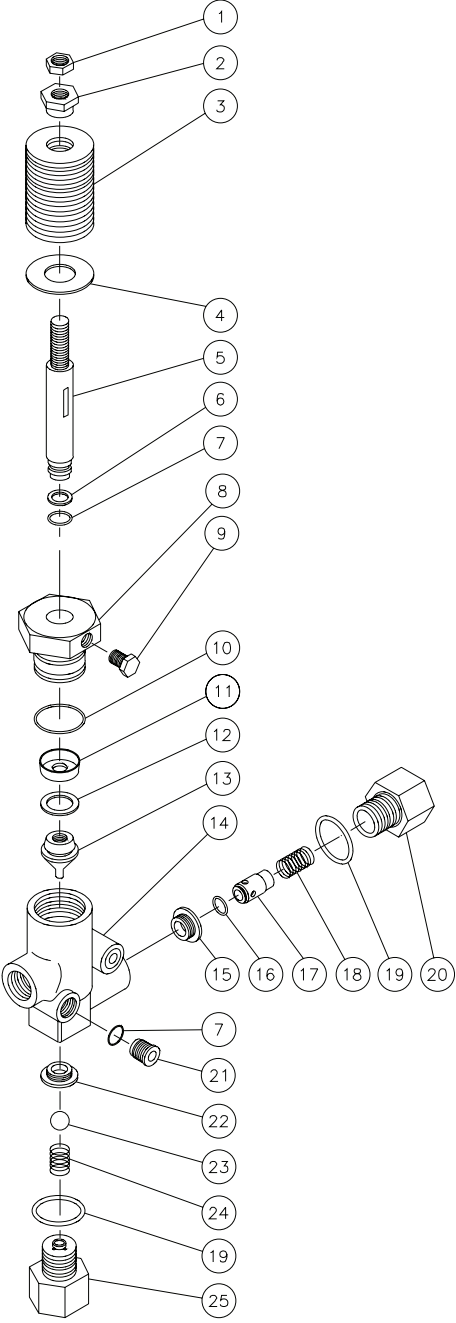
** USE LOC-TITE 542



3-0279-062706-CAW

| PUMP ASSEMBLY (3-0279) | | | | | | | |
|------------------------|--|----------|------|--------|---|---------|------|
| REF. # | DESCRIPTION | PART # | QTY. | REF. # | DESCRIPTION | PART # | QTY. |
| 1 | Valve Cap | 46-1222 | 6 | 28 | Crankshaft | 46-1210 | 1 |
| 2 | Backup Ring | 25-0592 | 6 | 29 | O-ring | 25-0014 | 1 |
| 3 | O-ring | 25-0139 | 6 | 30 | Plug | 39-0017 | 1 |
| 4 | Valve Assembly (See 70-0439) | N/A Sep. | 6 | 31 | Sight Glass | 46-1163 | 1 |
| 5 | Manifold | 46-1220 | 1 | 32 | O-ring | 25-0059 | 1 |
| 6 | O-ring | 25-0310 | 6 | 33 | Bolt | 27-8812 | 4 |
| 7 | Plug | 39-0222 | 3 | 34 | Crankcase Cover | 46-1212 | 1 |
| 8 | Lockwasher | 29-0155 | 8 | 35 | O-ring | 25-0339 | 1 |
| 9 | Bolt | 27-9595 | 8 | 36 | Bolt | 27-8435 | 6 |
| 10 | Gasket | 28-1051 | 1 | 37 | Lockwasher | 29-1014 | 6 |
| 11 | Plug | 39-0221 | 1 | 38 | Connecting Rod | 46-1211 | 3 |
| 12 | Washer | 28-1002 | 1 | 39 | Connecting Rod Pin | 43-0118 | 3 |
| 13 | Plug | 29-0018 | 2 | 40 | Piston Rod | 46-1213 | 3 |
| 14 | High Pressure Seal Assembly (See 70-0440 or 70-0441) | N/A Sep. | 3 | 41 | Slinger Washer | 46-1214 | 3 |
| 15 | High Pressure Intermediate Ring (See 70-0441) | N/A Sep. | 3 | 42 | Plunger | 46-1221 | 3 |
| 16 | Low Pressure Seal Assembly (See 70-0440 or 70-0441) | N/A Sep. | 3 | 43 | Piston | 46-1216 | 3 |
| 17 | O-ring | 25-0015 | 3 | 44 | Oil Dipstick | 46-0144 | 1 |
| 18 | Low Pressure Seal Retainer (See 70-0441) | N/A Sep. | 3 | 45 | Crankcase | 46-1209 | 1 |
| 19 | Oil Seal | 26-0047 | 3 | 46 | Crankcase Sight Glass Cover | 46-1208 | 1 |
| 20 | Bushing | 9-0029 | 3 | 47 | O-ring | 25-0060 | 1 |
| 21 | O-ring | 25-0052 | 1 | 48 | Oil Level Indicator | 46-0574 | 1 |
| 22 | Oil Seal | 26-0049 | 1 | 49 | Sight Glass Cover | 46-1207 | 1 |
| 23 | Bolt | 27-8431 | 4 | 50 | Bolt | 27-8433 | 4 |
| 24 | Crankcase Cover | 46-1217 | 1 | | Oil Seal Kit (Inc. 3 each 19) | 70-0432 | |
| 25 | O-ring | 25-0590 | 2 | | Valve Kit (Inc. 6 each 4) | 70-0439 | |
| 26 | Bearing | 48-0085 | 2 | | Low/High Pressure Seal Kit (Inc. 3 each 14, 16) | 70-0440 | |
| 27 | Key | 46-0602 | 1 | | Packing Kit (Inc. 14-18) | 70-0441 | |

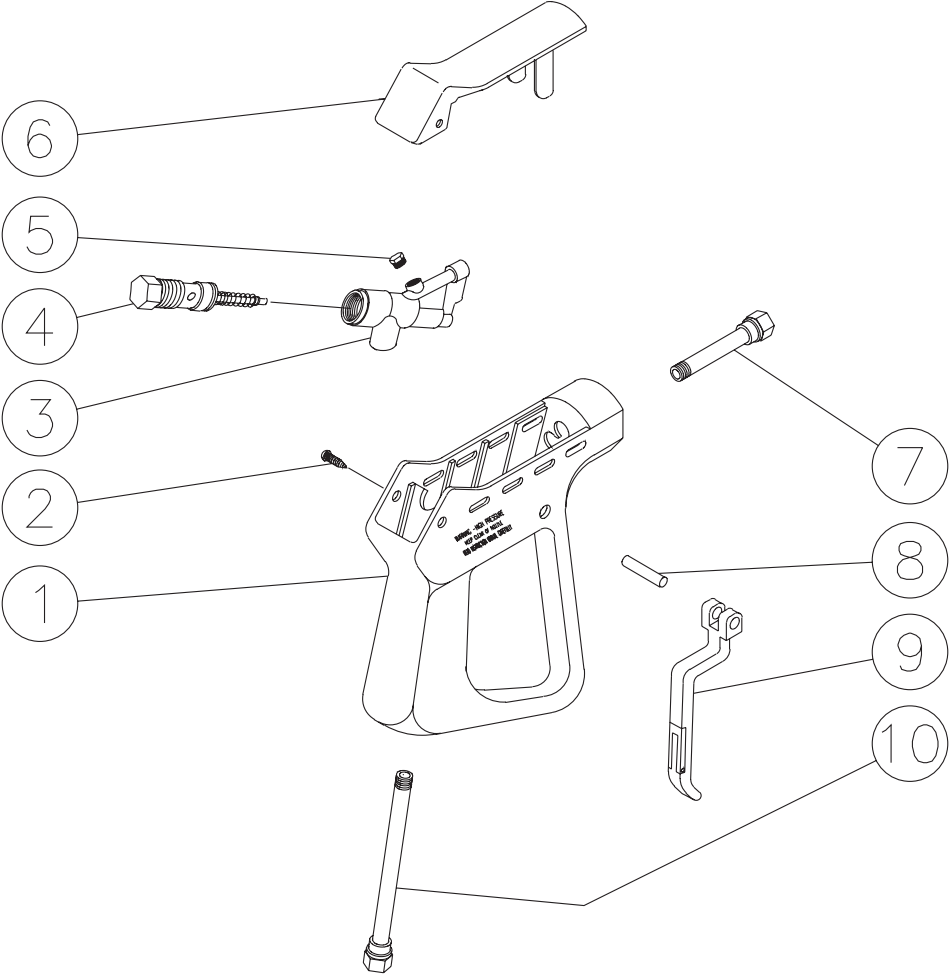
UNLOADER ASSEMBLY (8-0032)



OMGEN074-083004-BAR

| UNLOADER ASSEMBLY (8-0032) | | | |
|----------------------------|---|---------|------|
| REF.# | DESCRIPTION | PART # | QTY. |
| 1 | Locknut | 30-3058 | 1 |
| 2 | Adjusting Nut | 8-0089 | 1 |
| 3 | Spring Washers - Orange | 8-0009 | 15 |
| 4 | Washer | 28-0250 | 1 |
| 5 | Valve Stem | 8-0037 | 1 |
| 6 | Backup Ring | 8-0038 | 1 |
| 7 | O-ring | 25-0009 | 5 |
| 8 | Valve Cap | 8-0036 | 1 |
| 9 | Set Screw | 8-0084 | 1 |
| 10 | O-ring | 25-0008 | 1 |
| 11 | Cup | 8-0034 | 1 |
| 12 | Back-up Ring | 8-0040 | 1 |
| 13 | Piston | 8-0039 | 1 |
| 14 | Valve Body | 8-0164 | 1 |
| 15 | Outlet Seat | 8-0006 | 1 |
| 16 | O-ring | 25-0011 | 1 |
| 17 | Outlet Valve | 8-0004 | 1 |
| 18 | Spring | 49-0016 | 1 |
| 19 | O-ring | 25-0010 | 2 |
| 20 | Outlet Retainer | 8-0003 | 1 |
| 21 | Brass Plug | 8-0011 | 4 |
| 22 | Valve Seat | 8-0005 | 1 |
| 23 | Ball | 8-0041 | 1 |
| 24 | Spring | 49-0015 | 1 |
| 25 | Inlet Retainer | 8-0165 | 1 |
| | Unloader Repair Kit (Inc. 6, 7, 10-12, 16 and 19) | 70-0044 | |

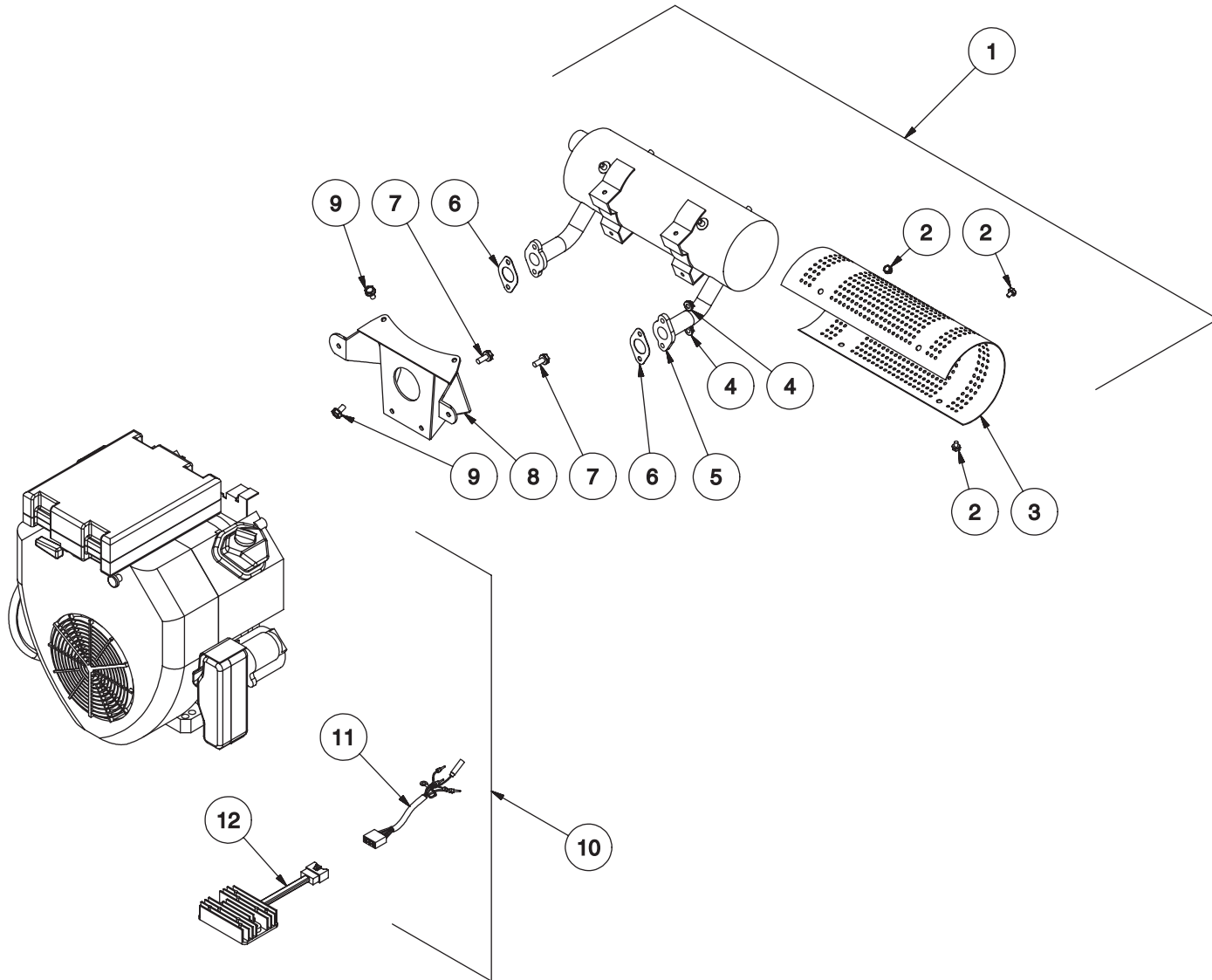
GUN ASSEMBLY (16-0001)



16-0001-110399-RD

| GUN ASSEMBLY (16-0001) | | | |
|-------------------------------|-------------------------|---------------|-------------|
| REF. # | DESCRIPTION | PART # | QTY. |
| 1 | Plastic Housing | 16-0008 | 1 |
| 2 | Screw | 27-3230 | 2 |
| 3 | Brass Housing | 16-0012 | 1 |
| 4 | Gun Repair Kit | 70-0055 | 1 |
| 5 | Brass Plug | 39-0024 | 1 |
| 6 | Plastic Cover | 16-0009 | 1 |
| 7 | Pipe Assembly | 16-0013 | 1 |
| 8 | Trigger Pin | 16-0063 | 1 |
| 9 | Trigger/Safety Lock-off | 16-0010 | 1 |
| 10 | Pipe Assembly- Inlet | 16-0016 | 1 |
| | Complete Gun Assembly | 16-0001 | 1 |

HONDA ENGINE ASSEMBLY (851-0357)



851-0357-060705-JJT

| HONDA ENGINE ASSEMBLY (851-0357) | | | |
|---|---|---------------|-------------|
| REF. # | DESCRIPTION | PART # | QTY. |
| 1 | Muffler Assembly (Inc. 2, 3, 5, 7-9) | 45-0109 | 1 |
| 2 | Flange Nut (See 45-0109) | N/A Sep. | 6 |
| 3 | Muffler Protector (See 45-0109) | N/A Sep. | 1 |
| 4 | Flange Nut (See 1-0160) | N/A Sep. | 4 |
| 5 | High Mount Muffler (See 45-0109) | N/A Sep. | 1 |
| 6 | Exhaust Gasket (See 1-0160) | N/A Sep. | 2 |
| 7 | Flange Bolt (See 45-0109) | N/A Sep. | 4 |
| 8 | Muffler Stay (See 45-0109) | N/A Sep. | 1 |
| 9 | Flange Bolt (See 45-0109) | N/A Sep. | 4 |
| 10 | Engine- 24 HP Honda (Inc. 4, 6, 11, 12) | 1-0160 | 1 |
| 11 | Wire Harness (See 1-0160) | N/A Sep. | 1 |
| 12 | Voltage Rectifier Assembly (See 1-0160) | N/A Sep. | 1 |

Manufactured by Mi-T-M
8650 Enterprise Drive, Peosta IA 52068
563-556-7484/ Fax 563-556-1235