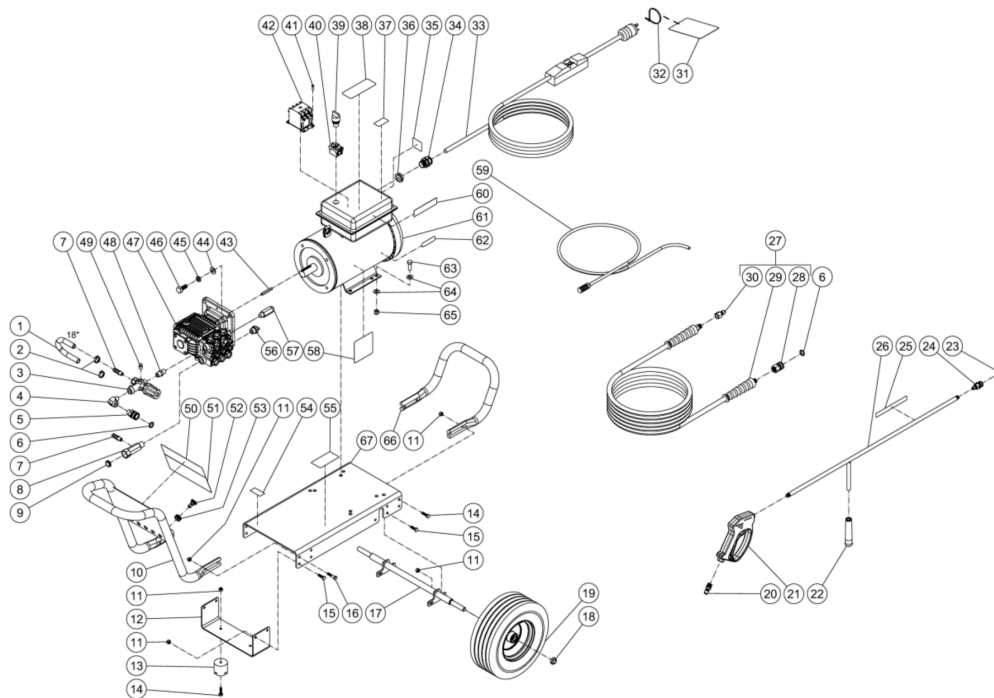




Search by Model - DC-2503-A0E2G / DC-2503-A0E2G (sn:0-99999999)

FRAME ASSEMBLY



<https://mitm.smartequip.net/mitm/#/library/tree/supplier?key=cb766808ac49ee6ec89bd33e92b6083637dbd3e2&printnow=true>

Id	Item #	Description	Quantity	Rev	Comments
1	15-0007	HOSE *(TWO FEET REQUIRED)	1		
2	42-0011	HOSE CLAMP	2		
3	8-0361	UNLOADER	1		
4	24-0105	ELBOW	1		
5	17-0007	QUICK CONNECT SOCKET	1		
6	25-0123	O-RING	1		
7	23-0120	HOSE BARB	2		
8	23-0516	INLET FITTING	1		
9	19-0001	FILTER	1		
10	7-0265	FRONT HANDLE	1		
11	30-0157	LOCKNUT	18		

Id	Item #	Description	Quantity	Rev	Comments
12	56-0085	UNDERBRACKET	1		
13	14-0008	ISOLATOR	2		
14	27-0068	BOLT	6		
15	27-0067	BOLT	8		
16	27-0069	BOLT	4		
17	5-0361A53	AXLE	1		
18	30-0117	LOCKNUT	2		
19	14-0150	WHEEL	2		
20	17-0005	QUICK CONNECT	1		
21	16-0483	GUN	1		
22	7-0002	GRIP	1		
23	25-0122	O-RING	1		
24	17-0001	QUICK CONNECT	1		
25	N/A	DECAL - RISK OF INJECTION (SEE 71-1064)	1		
26	16-0418	WAND (INCLUDES GRIP & QUICK CONNECT)	1		
27	851-0338	HOSE ASSEMBLY	1		
28	17-0004	QC SOCKET	1		
29	15-0209	HOSE	1		
30	17-0006	QUICK CONNECT	1		
31	34-1035	TAG - WARNING RISK OF ELECTROCUTION	1		
32	33-0022	CABLE TIE	1		
33	32-0334	ELECTRIC CORD	1		
34	9-0046	CORD RELIEF	1		
35	N/A	DECAL-CONNECT CIRCUIT BR. (SEE 71-1064)	1		
36	32-0292	ELECTRICAL LOCKNUT	1		
37	N/A	DECAL - ON/OFF (SEE 71-1064)	1		
38	N/A	DECAL - WARNING RISK OF INJECTION/EXPLOSION (SEE 71-1064)	1		
39	32-0808	SWITCH - ON/OFF	1		
40	32-0809	SWITCH	1		
41	27-8912	SCREW	1		
42	32-0563	Contactoer	1		
43	43-0078	KEY	1		
44	28-0006	WASHER	4		
45	29-0010	LOCKWASHER	4		
46	27-0217	BOLT	4		

Id	Item #	Description	Quantity	Rev	Comments
47	3-0409	PUMP	1		
48	24-0010	NIPPLE	1		
49	23-0238	PLUG	1		
50	N/A	DECAL - PLACARD SEE DX OPTION	1		
51	N/A	DECAL-WARN RISK OF ELECTRO E/S	1		
52	18-0397	NOZZLE	1		
53	33-0001	GROMMET	5		
54	34-3553	DECAL - MADE IN USA	1		
55	N/A	DECAL- SILVER STICKER	1		
56	22-0005	RELIEF VALVE	1		
57	22-0376	SAFETY VALVE	1		
58	N/A	DECAL - CAUTION/IMPORTANT (E/S) (SEE 71-1064)	1		
59	19-0233	DETERGENT HOSE	1		
60	34-2897	DECAL - 2500PSI	1		
61	2-0114	Motor	1		
62	N/A	DECAL - WARNING POTABLE WATER (E/S) (SEE 71-1064)	1		
63	27-0167	BOLT	4		
64	28-0005	WASHER	8		
65	30-0161	LOCKNUT	4		
67	5-0360	BASEPLATE	1		
66	7-0266	HANDLE	1		
66	18-0399	NOZZLE	1		
66	18-0400	NOZZLE	1		
66	18-0401	NOZZLE	1		
66	71-1064	DECAL SET	1		

*MUST ORDER IN ONE FOOT LENGTHS

Copyright © 2024 - SmartEquip Inc. and Mi-T-M Corporation

Any redistribution or reproduction of part or all of the contents in any form is prohibited other than print or download to a local hard disk for your individual and non-commercial use. You may send the content to individual third parties for their personal use, but only if you acknowledge the website as the source of the material. You may not, except with our express written permission, distribute or commercially exploit the content. Nor may you transmit it or store it in any other website or other form of electronic retrieval system.