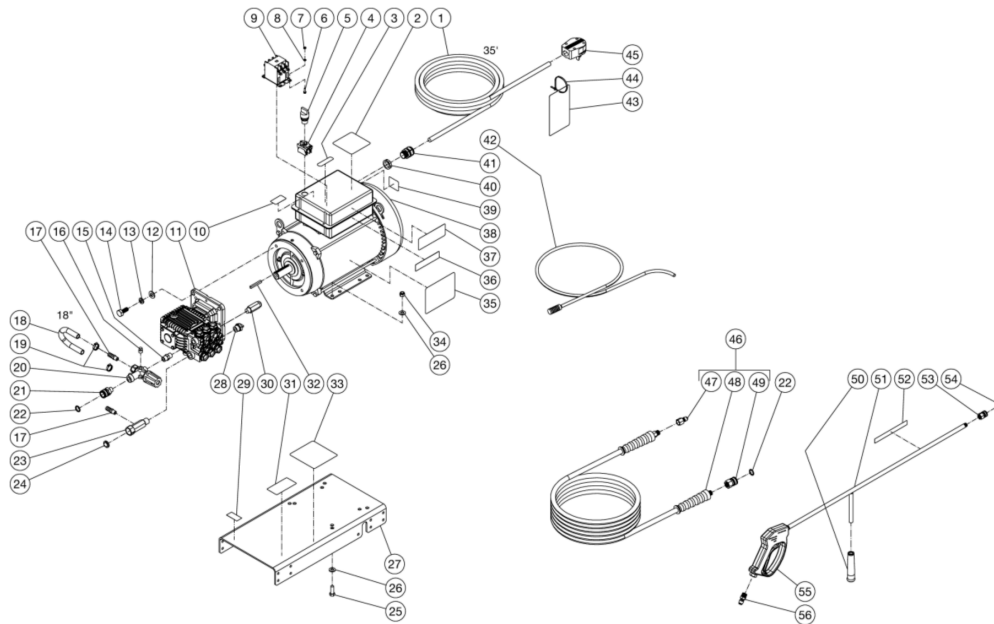




Search by Model - DC-3004-A0E2G / DC-3004-A0E2G-W (sn:0-11404204)

FRAME ASSEMBLY



<https://mitm.smartequip.net/mitm/#/library/tree/supplier?key=ed8e701347ad156847fd34d6688035ea857579bd&printnow=true>

Id	Item #	Description	Quantity	Rev	Comments
1	32-0021	CORD *(THIRTY FIVE FEET REQUIRED)	1		
2	N/A	DECAL - CAUTION/IMPORTANT (E/S)	1		
3	34-1477	DECAL - WARNING POTABLE WATER (E/S)	1		
4	32-0809	SWITCH	1		
5	32-0808	SWITCH - ON/OFF	1		
6	27-9526	Bolt	1		
7	30-6001	NUT	1		
8	28-1009	STAR WASHER	1		
9	32-0811	CONTACTOR	1		
10	N/A	DECAL - ON/OFF	1		
11	3-0410	PUMP	1		
12	28-0006	WASHER	4		
13	29-0010	LOCKWASHER	4		

Id	Item #	Description	Quantity	Rev	Comments
14	27-0217	BOLT	4		
15	24-0010	NIPPLE	1		
16	23-0238	PLUG	1		
17	23-0120	HOSE BARB	2		
18	15-0007	HOSE *(TWO FEET REQUIRED)	1		
19	42-0011	HOSE CLAMP	2		
20	8-0361	UNLOADER	1		
21	17-0007	QUICK CONNECT SOCKET	1		
22	25-0123	O-RING	1		
23	23-0516	INLET FITTING	1		
24	19-0001	FILTER	1		
25	27-0167	BOLT	4		
26	28-0005	WASHER	8		
27	5-0360	BASEPLATE	1		
28	22-0005	RELIEF VALVE	1		
29	34-3553	DECAL - MADE IN USA	1		
30	22-0376	SAFETY VALVE	1		
31	N/A	DECAL- SILVER STICKER	1		
32	43-0078	KEY	1		
33	N/A	DECAL - WARNING RISK OF ELE. (E/S)	1		
34	30-0161	LOCKNUT	4		
35	N/A	DECAL - SEE DX OPTION	1		
36	34-2899	DECAL-3000 PSI (SEE 71-0068)	1		
37	N/A	DECAL - WARNING RISK OF INJECTION/EXPLOSION (SEE 71-0068)	1		
38	2-0115	MOTOR	1		
39	N/A	DECAL-CONNECT CIRCUIT BR. (SEE 71-0068)	1		
40	32-0292	ELECTRICAL LOCKNUT	1		
41	9-0046	CORD RELIEF	1		
42	19-0233	DETERGENT HOSE	1		
43	34-1035	TAG - WARNING RISK OF ELECTROCUTION	1		
44	33-0022	CABLE TIE	1		
45	32-0012	PLUG	1		
46	851-0338	HOSE ASSEMBLY	1		
47	17-0006	QUICK CONNECT	1		
48	15-0209	HOSE	1		

Id	Item #	Description	Quantity	Rev	Comments
49	17-0004	QC SOCKET	1		
50	7-0002	GRIP	1		
51	16-0418	WAND (INCLUDES GRIP & QUICK CONNECT)	1		
52	N/A	DECAL - RISK OF INJECTION (SEE 71-0068)	1		
53	17-0001	QUICK CONNECT	1		
54	25-0122	O-RING	1		
55	16-0483	GUN	1		
56	17-0005	QUICK CONNECT	1		
	71-0068	DECAL SET	1		

*MUST ORDER IN ONE FOOT LENGTHS

Copyright © 2024 - SmartEquip Inc. and Mi-T-M Corporation

Any redistribution or reproduction of part or all of the contents in any form is prohibited other than print or download to a local hard disk for your individual and non-commercial use. You may send the content to individual third parties for their personal use, but only if you acknowledge the website as the source of the material. You may not, except with our express written permission, distribute or commercially exploit the content. Nor may you transmit it or store it in any other website or other form of electronic retrieval system.