

Mi-T-M[®] CORPORATION

8650 Enterprise Drive, Peosta IA 52068

563-556-7484 / Fax 563-556-1235

www.mitm.com

PARTS LIST FOR *HHM SERIES*

FUEL NOZZLE:

HHM-3506: 2.25 80°B Delavan

BTU INPUT:

HHM-3506: 386,400

This Parts Listing has been compiled for your benefit. You can be assured your hot water pressure washer was constructed and designed with quality and performance in mind. Each component has been rigorously tested to insure the highest level of acceptance.

The contents of this Parts Listing are based on the latest product information available at the time of publication. The manufacturer reserves the right to make changes in price, color, materials, equipment, specifications or models at any time without notice.

WARNING

THIS IS A PROFESSIONAL HIGH PRESSURE, HOT WATER PRESSURE WASHER. CAUTION SHOULD BE OBSERVED WHEN USING OR REPAIRING THIS UNIT! READ AND FOLLOW THE SAFETY WARNINGS LISTED BELOW BEFORE ATTEMPTING ANY REPAIRS ON THIS PRESSURE WASHER!

SAFETY WARNINGS

1. NEVER alter or modify the equipment. Be sure any accessory items and system components being used will withstand the pressure developed. Use only genuine manufacturer parts for repair of your pressure washer. Failure to do so can cause hazardous operating conditions and will VOID warranty.
2. This unit has multiple safety devices which should never be altered, modified, removed or made inoperable. If a device fails, replace immediately with only genuine manufacturer replacement parts.
3. Electrical System: The unit must be connected to a properly grounded electrical source which provides the correct voltage and adequate fuse protection. Disconnect from power source when making repairs. Never assume the pressure washer is safe to work on just because it is not operating. It could restart at any time. Never operate the pressure washer with electrical enclosures open, removed or damaged. Do not allow metal components of the pressure washer to come in contact with live electrical components.
4. Do not operate the unit without all protective covers in place. Know how to stop and bleed pressures quickly. Be thoroughly familiar with controls.
5. Before servicing the unit, turn unit off, and trigger the gun to release trapped pressure. Do not make repairs while the unit is running. Service in a clean, dry, flat area.
6. After testing the machine, DO NOT leave the pressurized unit unattended. Shut off the unit and release trapped pressure before leaving.

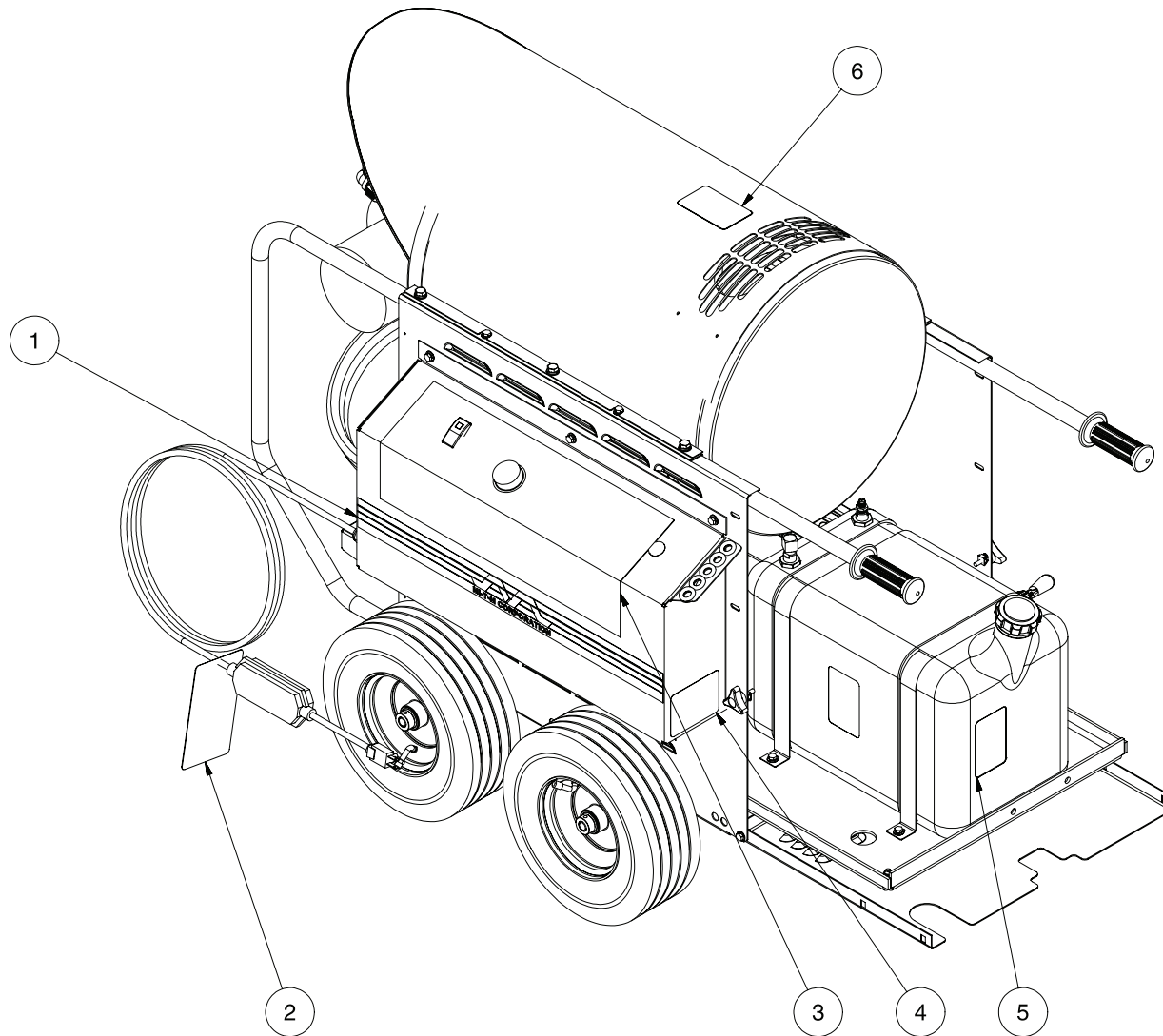
Table of Contents

SPECIFICATIONS FOR HHM-3506-0E10	3
SAFETY DECAL PLACEMENT	4
HHM UNIT ASSEMBLY	6
HHM CHASSIS ASSY.....	8
ELECTRICAL BOX FOR HHM	10
HEAT EXCHANGER ASSEMBLY.....	12
BURNER ASSEMBLY (4-0017 AFTER SERIAL #15008085 & 4-0018 AFTER SERIAL #15008463)	14
FUEL TANK ASSEMBLY (850-0303)	16
WIRE SCHEMATIC FOR HHM	18
WIRE DIAGRAM FOR HHM	19

SPECIFICATIONS FOR HHM-3506-0E10

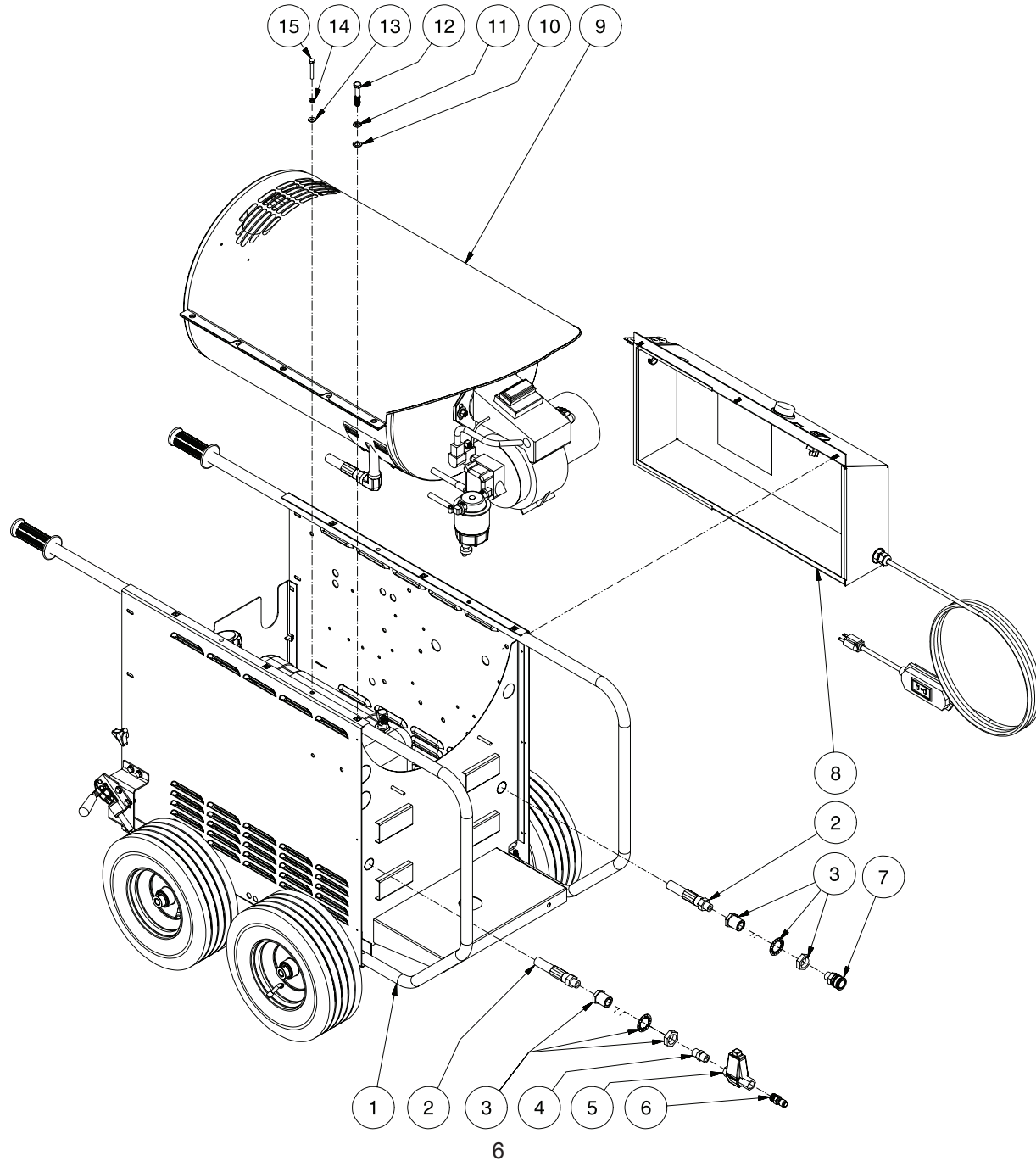
MODEL NUMBER	HHM-3506-0E10
Operating Pressure (PSI/Bar):	3500 max
Water Volume (GPM/lpm):	6.0 max
Outlet Water Temperature (F/C):	250°F max (150°F Temp Rise at 4 GPM)
Electrical System:	
Phase	Single
Hz	60
Voltage	115
Total System Amperage	3.2
On/ Off Switch	Rocker Switch
Water System:	
Inlet Water Strainer	Removable Thimble for inspection and cleaning of Stainless Steel Screen
Float Tank Strainer	Removable Strainer for inspection and cleaning of Stainless Steel Screen
Float Tank Capacity (Gal. / Liters)	4.75/18.0
Burner Fuel System:	
Fuel Type	No.1 or No.2 Fuel Oil, Diesel or Kerosene
Fuel Capacity (Gal. / liters)	10/37.8
Fuel Filter/ Water Separator	Spin on (10 micron) filter/ E-Z water drain
Fuel Pump	Two Line, Single Stage
Fuel Pressure (PSI / BAR)	150/10.4
Fuel Nozzle	2.25 80° B Delavan
Fuel Consumption (GPH / LPH)	2.76
Burner Electrical System:	
Voltage	115
Amps	3.0
Heat Exchanger:	
BTU Input	386,400
Efficiency	75% with #2 Fuel Oil/ Diesel
Smoke Density	0-3 per ASTM D2156
Safety Relief:	
Flow Switch	Shuts off burner fuel supply upon trigger release
Fuel Solenoid Valve	115 Volt, controls fuel supply to burner
Safety Relief	Relieves excess system pressure
Unit Net Weight (lbs/kg)	423/192
Unit Shipping Weight (lbs/kg)	543/247
Unit Net Dimension (in/cm)	56.5Lx30Wx41.5H/143.5Lx76Wx105.5H
Unit Shipping Dimension (in/cm)	57.5Lx35.5Wx59.5H/146Lx90Wx151H
Warranty:	
Unit	(2) Two Year Limited Warranty
Coil	(5) Five Year Limited Warranty

SAFETY DECAL PLACEMENT



SAFETY DECAL PLACEMENT			
REF. #	DESCRIPTION	PART #	QTY.
1	Decal Mi-T-M Stripe with Logo	34-0725	2
2	Hang Tag: Warning: Risk of Electrocution (E/F/S)	34-1035	1
3	Decal- Warning/Caution/Operation (E/F/S)	N/A Sep.	1
4	Decal- Data Plate	N/A	1
5	Decal- Caution: Risk of Fire (E/F/S)	N/A Sep.	1
6	Decal- Warning: Hot Surface (E/F/S)	N/A Sep.	1
7	Decal Set	34-9006	1

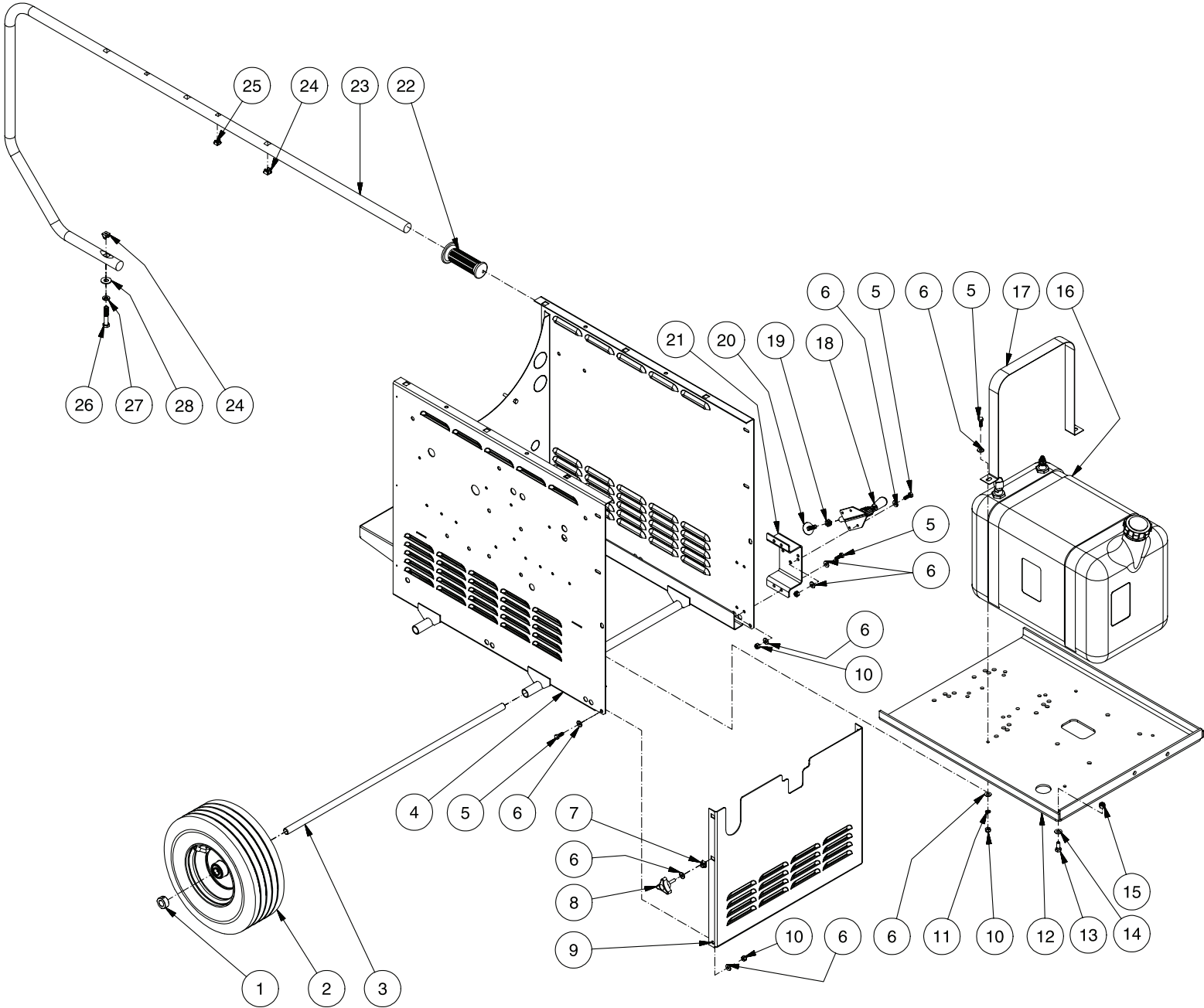
HHM UNIT ASSEMBLY



HHM-UNIT ASSY-080706-PO

UNIT ASSEMBLY			
REF. #	DESCRIPTION	PART #	QTY.
1	Chassis Assy	-	1
2	Hose	15-0194	2
3	Bulkhead Fitting	24-0274	2
4	Nipple	24-0010	1
5	Flow Switch	22-0348	1
6	Quick Connect Plug	17-0005	1
7	Quick Connect Socket	17-0007	1
8	Electric Box Assy	-	1
9	Heat Exchanger Assy	-	1
10	Washer	28-0030	6
11	Lockwasher	29-0008	6
12	Bolt	27-0121	6
13	Washer	28-0002	4
14	Lockwasher	29-0006	4
15	Bolt	27-0019	4

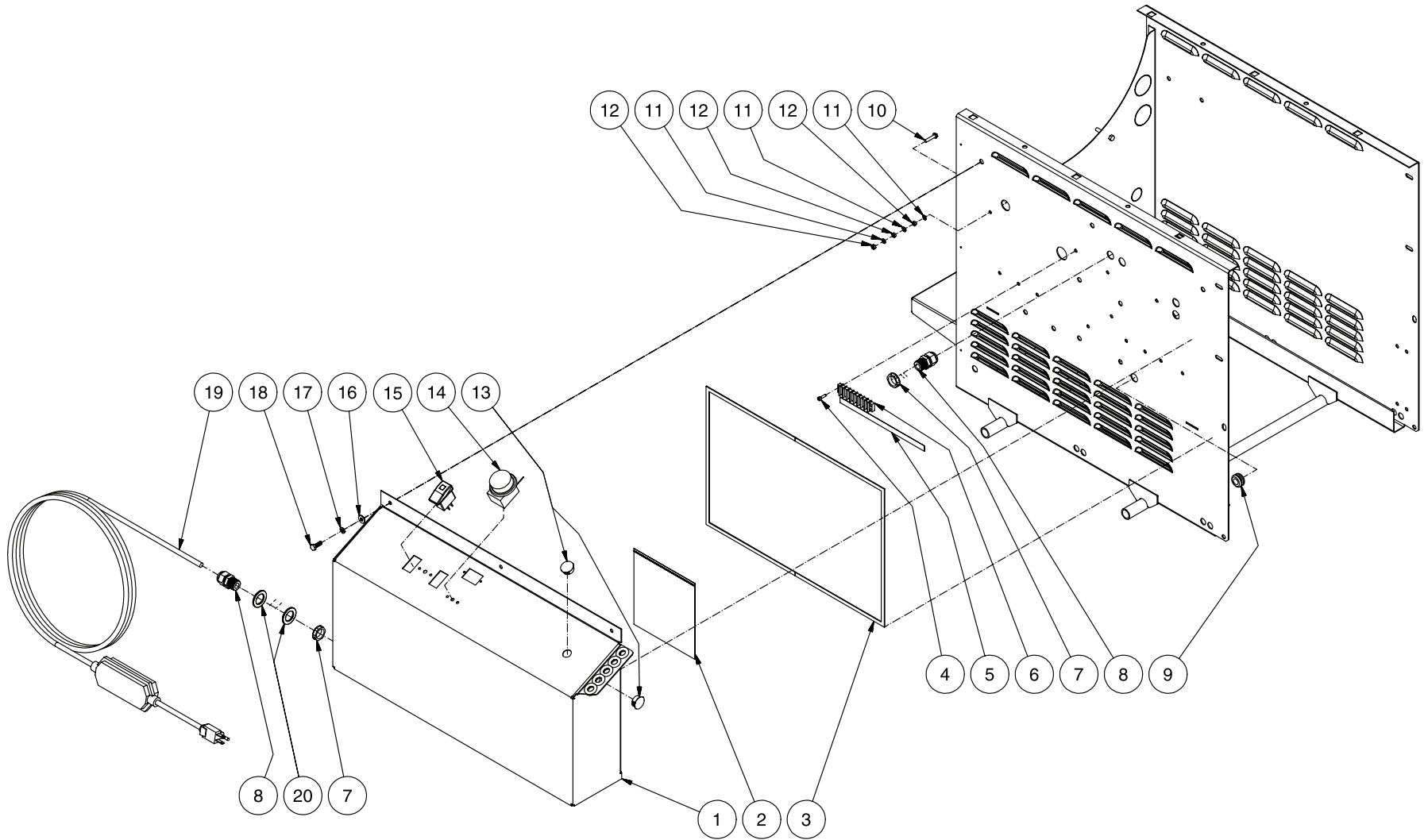
HHM CHASSIS ASSY



HHM-CHASSIS ASSY-080406-PO

CHASSIS ASSEMBLY								
REF. #	DESCRIPTION	PART #	QTY.		REF. #	DESCRIPTION	PART #	QTY.
1	Collar	33-0351	4		16	Fuel Tank Assy	850-0303	1
2	Wheel	14-0006	4		17	Fuel Tank	20-0579A01	2
3	Axle	20-0524	2		18	Toggle Clamp	33-0400	1
4	Chassis Assembly	5-0230A18	1		19	Bolt	30-0004	1
5	Bolt	27-0015	14		20	Elevator Bolt	27-9550	1
6	Washer	28-0002	30		21	Bracket	20-0825A18	1
7	Clip Nut	30-6026	2		22	Handle Grip	7-0167	2
8	Knob	07-0168	2		23	Handle	7-0166A18	2
9	Access Door	20-0525A18	1		24	Clip Nut	30-6025	8
10	Locknut	30-0155	14		25	Clip Nut	30-6027	4
11	Lockwasher	29-0006	8		26	Bolt	27-0121	2
12	Baseplate-Motor Pump	05-0152A18	1		27	Lockwasher	29-0008	2
13	Bolt	27-0066	1		28	Flatwasher	28-0023	2
14	Washer	28-0003	1					
15	Locknut	30-0157	1					

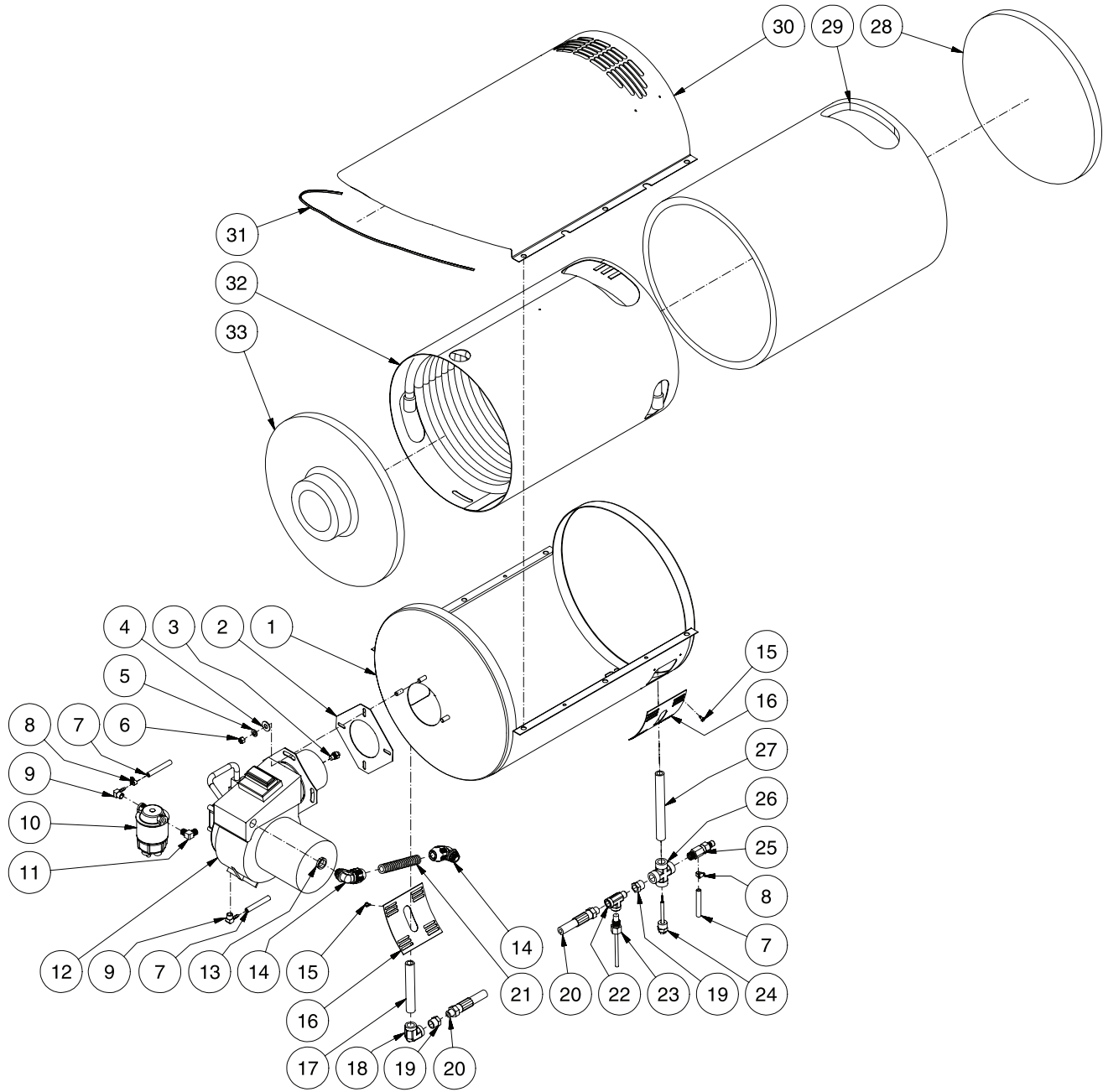
ELECTRICAL BOX FOR HHM



HHM-ELECTRIC BOX ASSY-080706-PO

ELECTRIC BOX FOR HHM									
REF. #	DESCRIPTION	PART #	QTY.		REF. #	DESCRIPTION	PART #	QTY.	
1	Electric Box Assy	20-0824A18	1		12	Nut	30-6001	3	
2	Envelope Zip Lock	41-0184	1		13	Plug	39-0014	2	
3	Gasket	26-0240	1		14	Thermostat	32-0734	1	
4	Bolt	27-8835	2		15	Switch	32-0731	1	
5	Decal- Terminal Strip	34-0867	1		16	Washer	28-0002	3	
6	Terminal Strip	32-0436	1		17	Lockwasher	29-0006	3	
7	Locknut	32-0108	2		18	Bolt	27-0015	3	
8	Strain Relief	32-0437	2		19	Cord	32-0268	1	
9	Grommet	33-0001	1		20	Washer	28-0051	2	
10	Bolt	37-8807	1			Decal Kit (Inc. 12)	34-9037		
11	Lockwasher	28-1009	3						
*Must Order in One Foot Lengths									

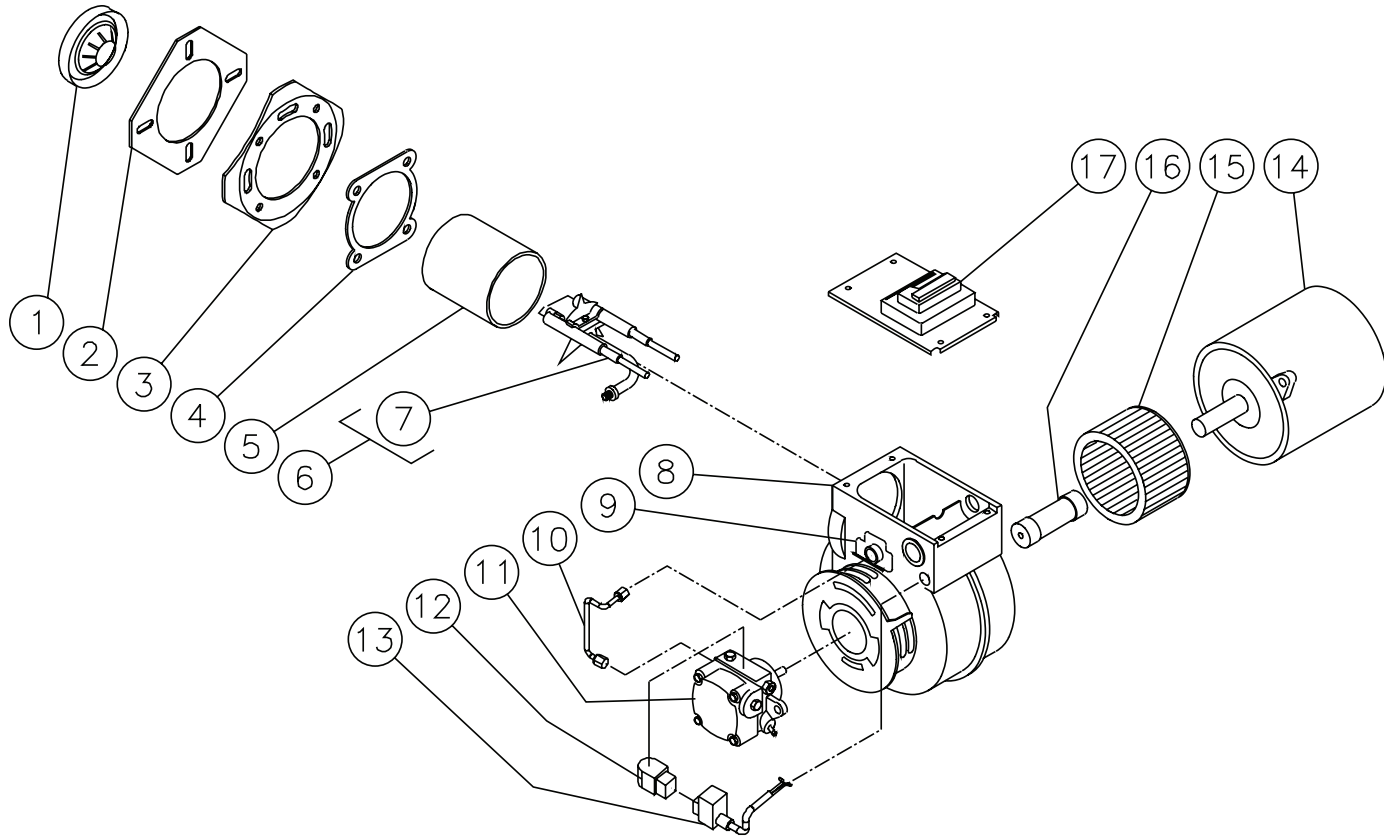
HEAT EXCHANGER ASSEMBLY



HHM HEAT EXCHANGER ASSY-092106-PO

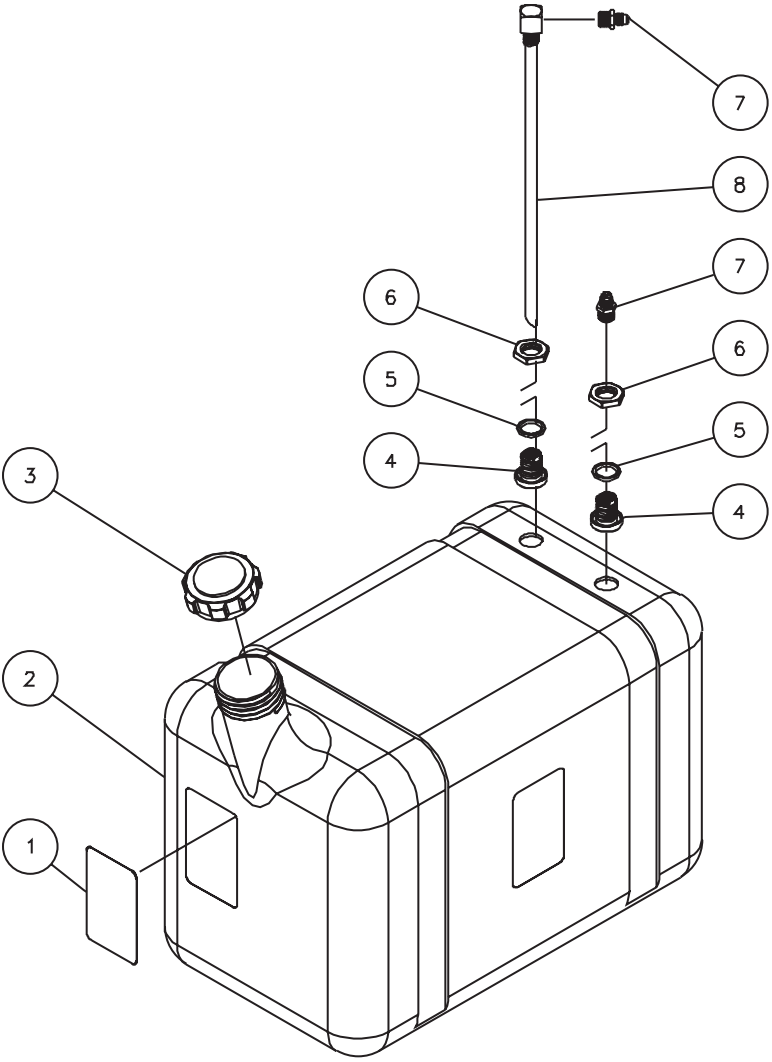
HEAT EXCHANGER ASSEMBLY								
REF. #	DESCRIPTION	PART #	QTY.		REF. #	DESCRIPTION	PART #	QTY.
1	Bottom Wrap Assy	20-0527A18	1		18	Elbow	24-0078	1
2	Gasket	44-0108	1		19	Bushing	23-0016	2
3	Fuel Nozzle	18-0090	1		20	Hose	15-0194	2
4	Flatwasher	28-0023	3		21	Conduit *(Two Feet Required)	32-0253	1
5	Lockwasher	29-0008	3		22	Tee	23-0058	1
6	Nut	30-0006	3		23	Switch- Hi Limit	32-0798	1
7	Fuel Hose *(Eight Feet Required)	15-0008	3		24	Thermostat	32-0734	1
8	Clamp	42-0004	2		25	Safety Relief Valve	22-0309	1
9	Elbow	23-0054	2		26	Cross	24-0241	1
10	Filter	19-0070	1		27	Pipe	24-0255	1
11	Elbow	23-0130	1		28	Insulation Disc	33-0346	1
12	Burner	4-0017	1		29	Insulation Blanket	850-0279	1
13	Locknut	32-0108	1		30	Shell	21-0129	1
14	Conduit	32-0254	2		31	Edging *(Three Feet Required)	33-0423	1
15	Bolt	27-3062	8		32	Coil Assy	66-0014	1
16	Patch Plate	20-0537A18	2		33	Insulation Drum Head	33-0345	1
17	Pipe	24-0246	1					
*Must Order in One Foot Lengths								

BURNER ASSEMBLY (4-0017 AFTER SERIAL #15008085 & 4-0018 AFTER SERIAL #15008463)



BURNER ASSEMBLY (4-0017 AFTER SERIAL #15008085 & 4-0018 AFTER SERIAL #15008463)								
REF.	DESCRIPTION	PART #	QTY.		REF.	DESCRIPTION	PART #	QTY.
1	Burner Head	44-0011	1		12	Fuel Solenoid	46-1020	1
2	Mounting Gasket	44-0108	1		13	Cord Set	44-0122	1
3	Flange	44-0109	1		14	Motor (4-0017)	2-0068	1
4	Gasket	26-0138	1		-	Motor (4-0018)	2-0067	1
5	Air Tube	44-0110	1		15	Blower Wheel	44-0071	1
6	Nozzle Line Assembly (Inc. 7)	44-0113	1		16	Coupler	44-0014	1
7	Electrode Kit	44-0114	1		17	Ignition Transformer (4-0017)	44-0017	1
8	Burner Housing	44-0033	1		-	Ignition Transformer (4-0018)	44-0015	1
9	Escutcheon Plate	44-0031	1			Complete Burner (Includes 1-17)	4-0017	
10	Fuel Line	44-0026	1			Complete Burner (Includes 1-17)	4-0018	
11	Fuel Pump	3-0236	1					

FUEL TANK ASSEMBLY (850-0303)

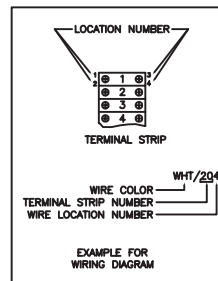
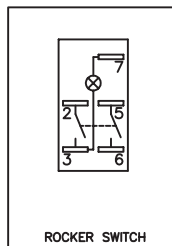
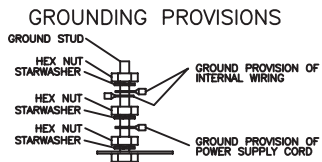
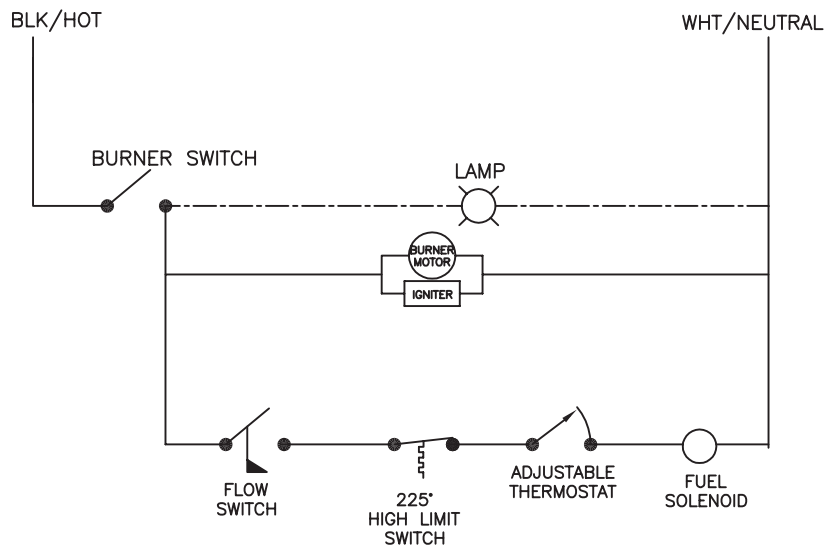


850-0303-032101-BAR

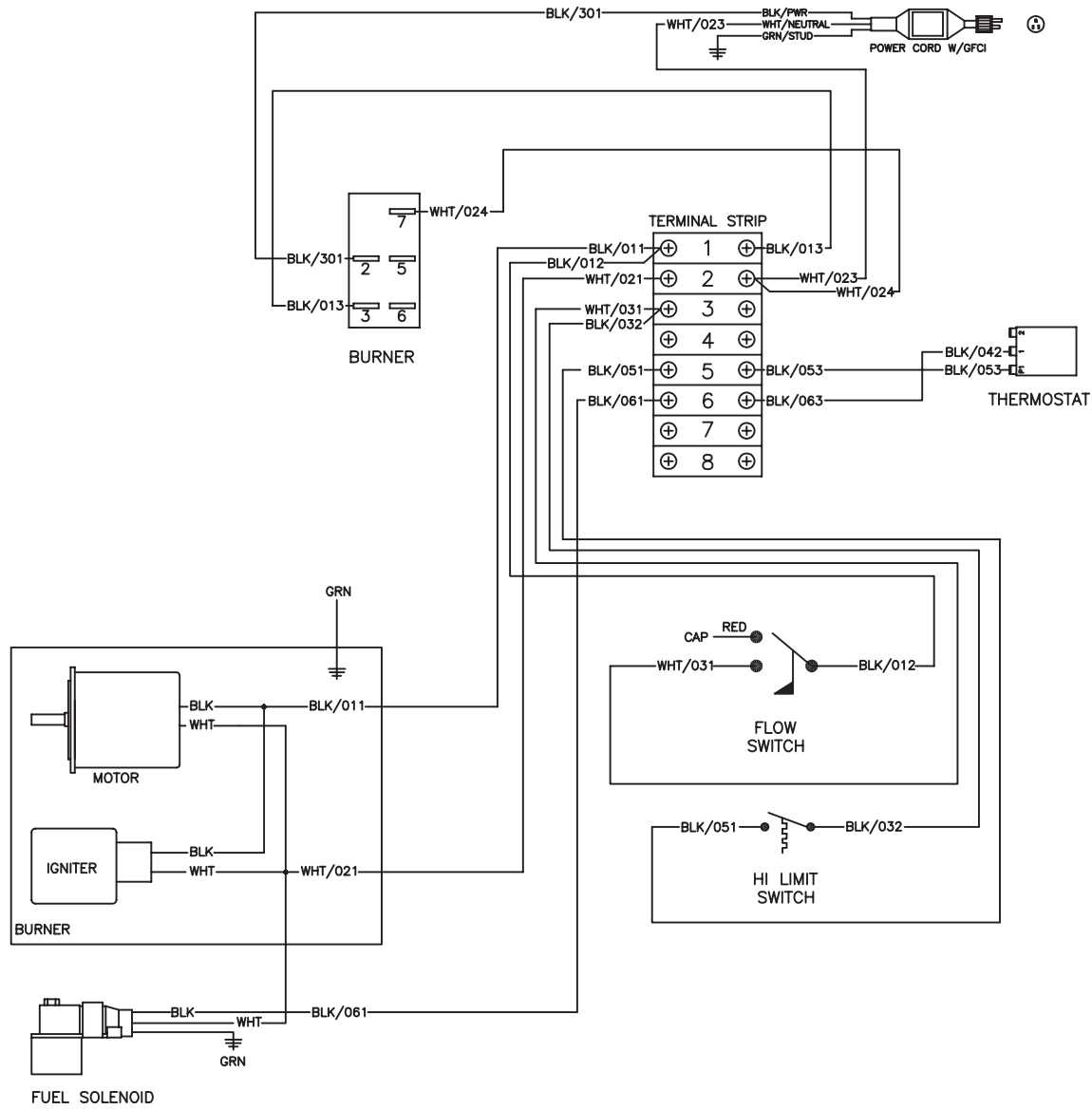
850-0303-34-9037-032101-BAR

FUEL TANK ASSEMBLY (850-0303)			
REF. #	DESCRIPTION	PART #	QTY.
1	Decal- Caution: Risk of Fire (E/S) (See 34-9008)	N/A Sep.	1
2	Fuel Tank	12-0126	1
3	Vented Fuel Cap	12-0033	1
4	Bulkhead Fitting	23-0408	2
5	O-ring	25-0427	2
6	Nut	23-0409	2
7	Flare Fitting	23-0247	2
8	Fuel Pick-up	33-0352	1
	Safety Decal Kit (Inc. 1)	34-9037	

WIRE SCHEMATIC FOR HHM



WIRE DIAGRAM FOR HHM



WIRE DIAGRAM SCHEMATIC HHM-3506-0E10

WIRE DIAGRAM HHS-HHM-092106-PO

