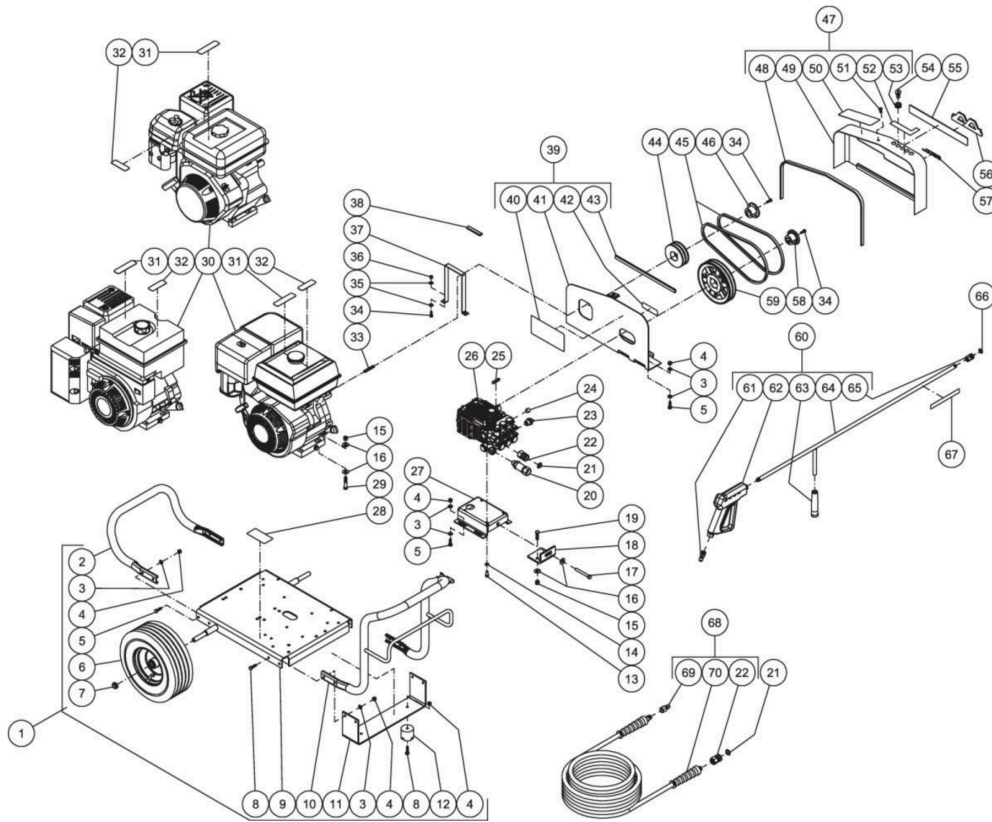




Search by Model - JCW-3504-0MRB / JCW-3504-0MRB (sn:0-11176225)

# FRAME ASSEMBLY



<https://mitm.smartequip.net/mitm/#/library/tree/supplier?key=65b044fe3b919e048eecd8a2e96f385827bf4ad3&printnow=true>

Id	Item #	Description	Quantity	Rev	Comments
1	851-0329	Base Assembly (Inc. 2-12)	1		
2	7-0175A01	Rear Handle	1		
3	28-0003	WASHER	24		
4	30-0157	LOCKNUT	18		
5	27-0067	BOLT	12		
6	14-0006	WHEEL	2		
7	30-0117	Nut	2		
8	27-0068	BOLT	6		
9	5-0185A01	BASEPLATE	1		

Id	Item #	Description	Quantity	Rev	Comments
10	7-0174A01	Front Handle	1		
11	13-0137A01	UNDERBRACKET	1		
12	14-0008	ISOLATOR	2		
13	27-8884	BOLT	4		
14	29-0054	LOCKWASHER	4		
15	30-0159	LOCKNUT	6		
16	28-0023	Flatwasher	11		
17	27-0576	BOLT	1		
18	13-0005A01	Angle Tightener Bracket	1		
19	27-0118	BOLT	2		
20	19-0206	Inlet Filter	1		
21	25-0123	O-RING	2		
22	17-0004	Socket	2		
23	22-0005	Thermal Relief Valve	1		
24	23-0244	PLUG	1		
25	43-0091	Key w/ Pump	1		
26	3-0268	PUMP	1		
27	5-0130A01	PUMP BRACKET	1		
28	N/A	Decal- Data Plate	1		
29	27-0121	BOLT	4		
30	1-0086	Engine- Honda 13 HP (JCW-3504-0MHB)	1		
30	1-0090	Engine- Vanguard 13 HP (JCW-3504-0MVB)	1		
30	1-0056	Engine- Subaru 13.5 HP (JCW-3504-0MRB)	1		
31	N/A Sep.	Decal- Caution: Risk of Fire (See 34-9017)	1		
32	N/A Sep.	Decal- Warning: Risk of Burns (See 34-9017)	1		
33	43-0078	KEY	1		
34	27-0015	BOLT	6		
35	28-0002	WASHER	4		
36	30-0155	LOCKNUT	2		
37	6-0054A01	FINGER GUARD	1		
38	33-0020	EDGING *(FIVE FEET REQUIRED)	1		
39	851-0213	Beltguard Back Assembly (Inc. 40-43)	1		
40	N/A Sep.	Decal- Warning/Caution (See 34-9017)	1		
41	N/A Sep.	Beltguard Back Assembly (See 851-0213)	1		
42	N/A Sep.	Decal- Warning: Beltguard (See 34-9017)	1		

Id	Item #	Description	Quantity	Rev	Comments
43	33-0020	EDGING *(TWO FEET REQUIRED)	1		
44	10-0067	SHEAVE	1		
45	11-0023	BELT	2		
46	9-0005	BUSHING	1		
47	851-0313	Beltguard Cover Assembly (Inc. 48-53)	1		
48	33-0020	EDGING *(THREE FEET REQUIRED)	1		
49	N/A Sep.	Beltguard Cover (See 851-0313)	1		
50	N/A Sep.	Decal- Operation (See 34-9017)	1		
51	33-0197	FASTENER	1		
52	34-0500	Decal- Nozzles 0, 15, 25, 40	1		
53	33-0001	GROMMET	5		
54	18-0028	Nozzle- 0004	1		
54	18-0029	Nozzle- 1504	1		
54	18-0030	Nozzle- 2504	1		
54	18-0031	Nozzle- 4004	1		
55	34-0502	Decal- Mi-T-M Stripe	1		
56	62-0086	Decal- Mi-T-M Small Logo	1		
57	34-0909	Decal- White Die Cut 3500PSI	1		
58	9-0017	BUSHING	1		
59	10-0035	SHEAVE	1		
60	851-0371	Gun/Wand Assembly (Inc. 61-65)	1		
61	17-0005	Quick Connect Plug	1		
62	16-0001	Trigger Gun	1		
63	7-0002	Wand Grip	1		
64	16-0439	WAND	1		
65	17-0001	Quick Connect Socket	1		
66	25-0122	O-RING	1		
67	N/A Sep.	Decal- Warning: Risk of Injection (See 34-9017)	1		
68	851-0338	Hose Assembly (Inc. 22, 69-70)	1		
69	17-0006	QUICK CONNECT PLUG	1		
70	15-0209	HOSE	1		
	34-9017	Safety Decal Kit (Inc. 31-32, 40, 42, 50, 67)			

\*Must Order in One Foot Lengths

Any redistribution or reproduction of part or all of the contents in any form is prohibited other than print or download to a local hard disk for your individual and non-commercial use. You may send the content to individual third parties for their personal use, but only if you acknowledge the website as the source of the material. You may not, except with our express written permission, distribute or commercially exploit the content. Nor may you transmit it or store it in any other website or other form of electronic retrieval system.