

THE **JOB PRO**[®] by **Mi-T-M**[®]

8650 Enterprise Drive, Peosta IA 52068
563-556-7484 / Fax 563-556-1235
www.mitm.com

PARTS LIST FOR ***JP-3003-0MIB*** ***(AFTER SERIAL #10173072)***

Engine Oil Grade:	Above 40°F = SAE30 Below 40°F = SAE10W-30
Engine Oil Capacity:	24 oz.
Pump Oil Grade:	Mi-T-M Pump Oil #AW-4085-0016
Pump Oil Capacity:	14 oz.
Nozzle Size:	3.5

This Parts Listing has been compiled for your benefit. You can be assured your Mi-T-M Cold Water Pressure Washer was constructed and designed with quality and performance in mind using over 25 years experience in the pressure washer business. Each component has been rigorously tested to insure the highest level of acceptance.

The contents of this Parts Listing are based on the latest product information available at the time of publication. Mi-T-M reserves the right to make changes in price, color, materials, equipment, specifications or models at any time without notice.

WARNING

THIS IS A PROFESSIONAL HIGH PRESSURE, COLD WATER PRESSURE WASHER. CAUTION SHOULD BE OBSERVED WHEN USING OR REPAIRING THIS UNIT! READ AND FOLLOW THE SAFETY WARNINGS LISTED BELOW BEFORE ATTEMPTING ANY REPAIRS ON THIS PRESSURE WASHER!

SAFETY WARNINGS

1. NEVER alter or modify the equipment. Be sure any accessory items and system components being used will withstand the pressure developed. Use only genuine Mi-T-M parts for repair of your pressure washer. Failure to do so can cause hazardous operating conditions and will VOID warranty.
2. NEVER make adjustments on machinery while the unit is connected to the engine without first removing the ignition cable from the spark plug. Turning over the machinery by hand during adjustment or cleaning might start the engine and machinery with it, causing serious injury to the operator.
3. Know how to stop and bleed pressures quickly. Be thoroughly familiar with controls.
4. Before servicing the unit, turn unit off, relieve the water pressure and allow the unit to cool down. Do not make repairs while the unit is running. Service in a clean, dry, flat area. Block the wheels to prevent the unit from moving. Be especially careful to properly dispose of any flammable materials.
5. After testing the machine, DO NOT leave the pressurized unit unattended. Shut off the unit and release trapped pressure before leaving.

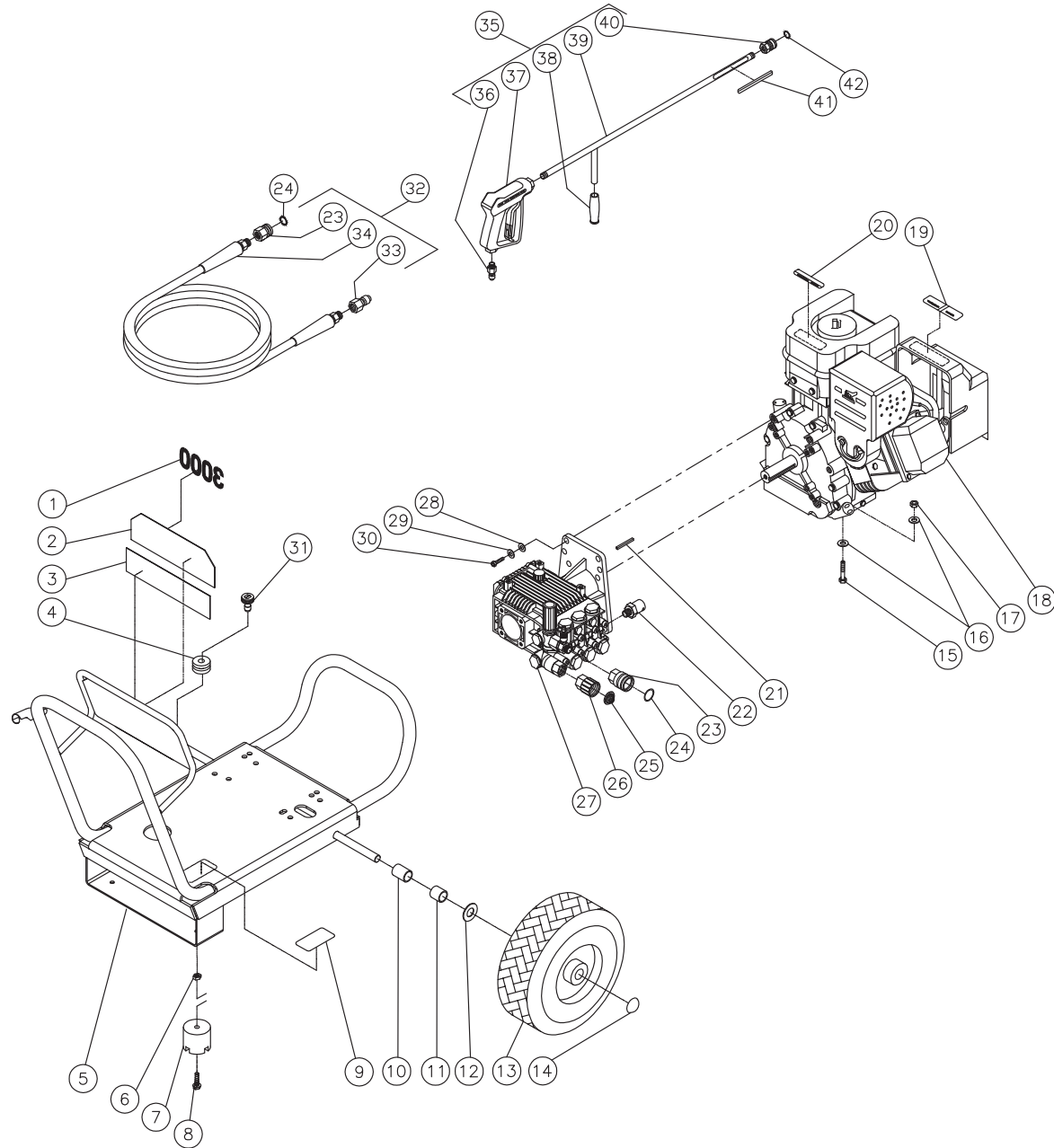
Table of Contents

SPECIFICATIONS	3
FRAME ASSEMBLY FOR JP-3003-0MIB (AFTER SERIAL #10173072)	4
PUMP ASSEMBLY (3-0270)	6
UNLOADER ASSEMBLY (8-0456)	8
GUN ASSEMBLY (16-0001)	10

SPECIFICATIONS

MODEL NUMBER	JP-3003-0MIB
Operating Pressure (PSI/Bar):	3000/206.8
High Pressure Nozzle:	3.5
Water Volume (GPM/lpm):	3.0/11
Engine:	B & S Intek I/C
Horsepower	10.0
Engine Type	4 Stroke, Overhead Valve, Single Cylinder
Oil Type	Above 40°F = SAE30/Below 40°F = SAE10W-30
Oil Capacity (oz./liters)	24/.7
Low Oil Protection	Oil Guard™
Fuel Type	Unleaded Gasoline 86 Octane Minimum
Fuel Capacity (gallon/ liters)	1.0/3.8
Starting	Recoil
Maximum No Load RPM	3600 (+/- 100) RPM
Pump:	Direct Driven, Oil Bath, Triplex Piston
Oil Type	Mi-T-M Pump Oil #AW-4085-0016
Oil Capacity (oz./liters)	14/.4
Plungers	Ceramic
Manifold	Forged Brass
Valves	Stainless Steel
Unloader	Adjustable
Thermal Relief Valve	Relieves heated water during unloader bypass stage
Unit Net Weight (lbs/Kg)	121/55
Unit Shipping Weight (lbs/Kg)	171/78
Unit Net Dimension (in/cm)	35Lx22.5Wx26H/89Lx57Wx66H
Unit Shipping Dimension (in/cm)	39.5Hx25Wx31.5H/100.5Lx63.5Wx80H

FRAME ASSEMBLY FOR JP-3003-0MIB (AFTER SERIAL #10173072)

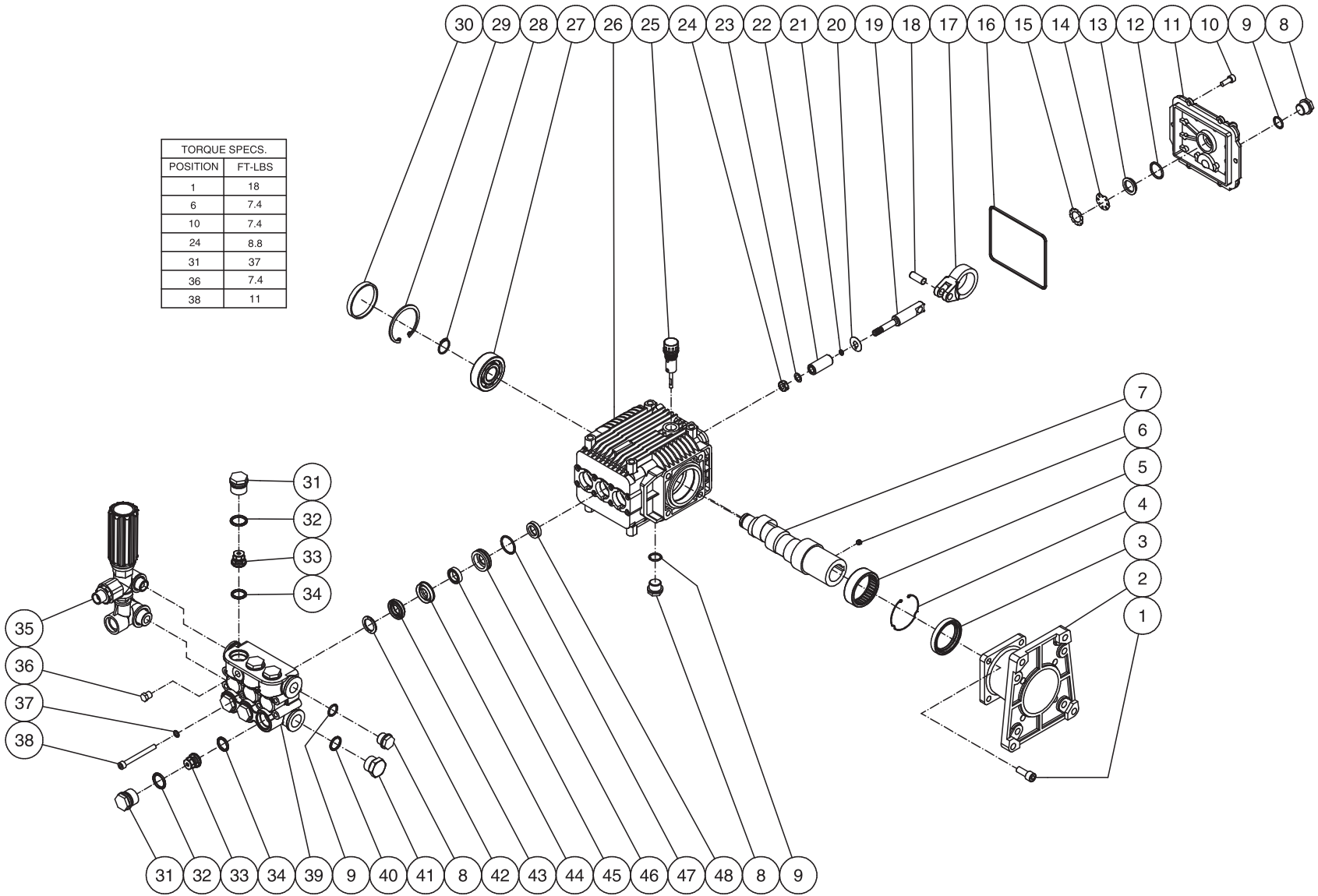


JP-3003-0MIB-020305-JJF

FRAME ASSEMBLY FOR JP-3003-0MIB (AFTER SERIAL #10173072)							
REF. #	DESCRIPTION	PART #	QTY.	REF. #	DESCRIPTION	PART #	QTY.
1	Decal- 3000 Die Cut	34-0775	1	24	O-ring (Replacement Only)	25-0123	-
2	Decal- Job Pro Placard	34-0778	1	25	Filter	19-0001	1
3	Decal- Warning/Caution/Operating (See 34-9005)	N/A Sep.	1	26	Garden Hose Swivel	23-0095	1
4	Grommet	33-0001	5	27	Pump	3-0270	1
5	Frame	5-0179A01	1	28	Washer	28-0022	4
6	Locknut	30-0157	2	29	Lockwasher	29-0008	4
7	Isolator	14-0008	2	30	Bolt	27-0118	4
8	Bolt	27-0068	2	31	Nozzle- 0003.5	18-0257	1
9	Decal- Data Plate	N/A	1	-	Nozzle- 1503.5	18-0258	1
10	Axle Spacer	20-0313A01	2	-	Nozzle- 2503.5	18-0259	1
11	Axle Spacer	20-0314A01	2	32	Pressure Hose Assembly (Inc. 23, 33-34)	851-0007	1
12	Washer	28-0008	5	33	Quick Connect Plug	17-0006	1
13	Wheel	14-0017	2	34	Pressure Hose	15-0003	1
14	Hubcap	33-0018	2	35	Gun & Wand Assembly (Inc. 36-40)	851-0095	1
15	Bolt	27-0070	4	36	Quick Connect Plug	17-0005	1
16	Washer	28-0003	8	37	Gun	16-0001	1
17	Locknut	30-0157	4	38	Grip Handle	7-0002	1
18	Engine- 10.0 HP Intek	1-0116	1	39	Wand	16-0120A01	1
19	Decal-Warning: Muffler Hot (See 34-9005)	N/A Sep.	1	40	Quick Connect Socket	17-0001	1
20	Decal-Caution: Allow to Cool (See 34-9005)	N/A Sep.	1	41	Decal-Warning: Risk of Injection (See 34-9005)	N/A Sep.	1
21	Key	43-0078	1	42	O-ring (Replacement Only)	25-0122	-
22	Thermal Relief Valve	22-0005	1		Safety Decal Kit (Inc. 3, 19-20, 41)	34-9005	
23	Quick Connect Socket	17-0004	2	*Must Order in One Foot Lengths			

PUMP ASSEMBLY (3-0270)

TORQUE SPECS.	
POSITION	FT-LBS
1	18
6	7.4
10	7.4
24	8.8
31	37
36	7.4
38	11



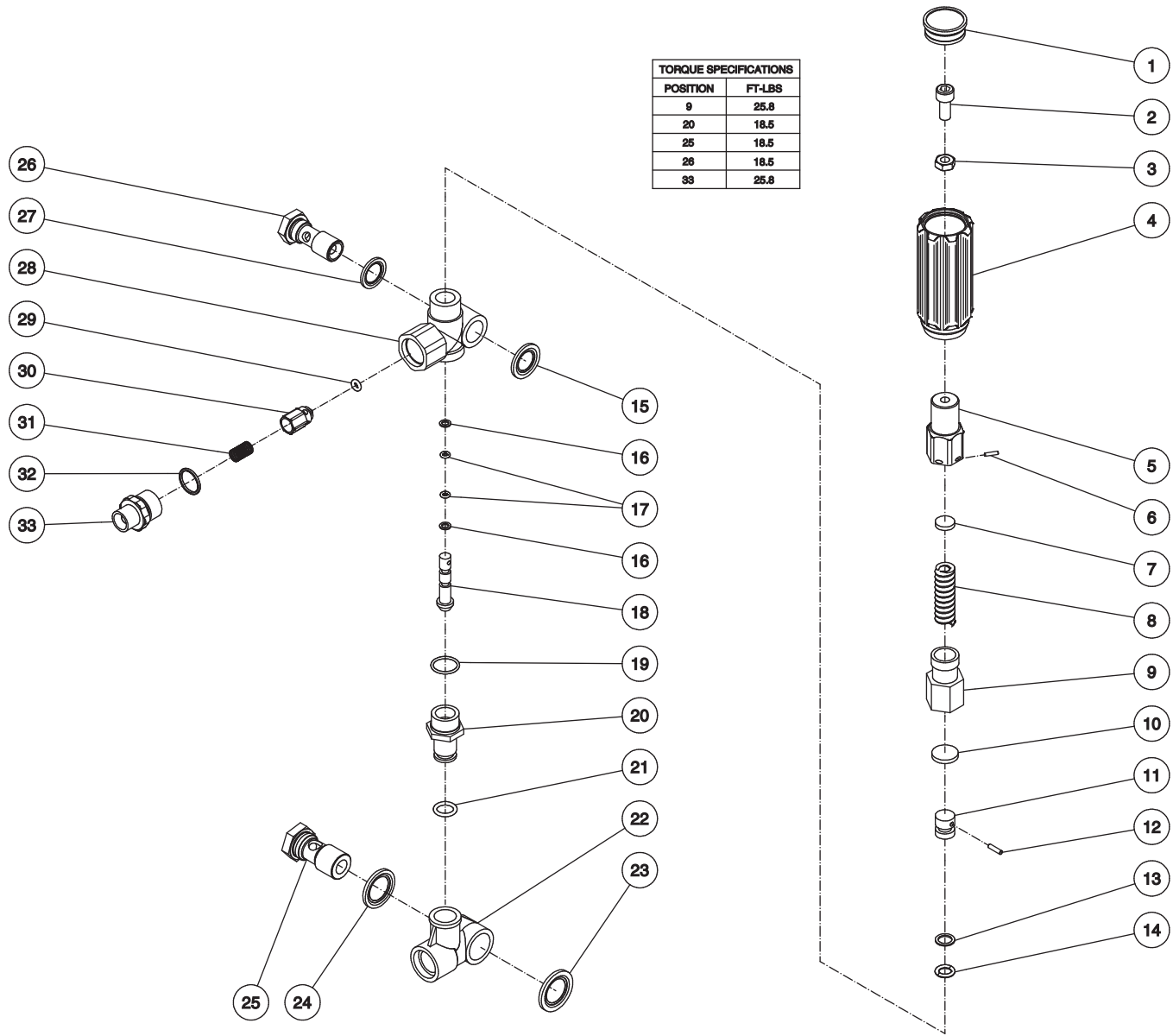
3-0270-020305-JJF

PUMP ASSEMBLY (3-0270)

REF. #	DESCRIPTION	PART #	QTY.	REF. #	DESCRIPTION	PART #	QTY.	REF. #	DESCRIPTION	PART #	QTY.
1	Screw	27-8432	4	18	Piston Pin	46-0721	3	35	Unloader Assembly	8-0456	1
2	Pump Flange	46-0714	1	19	Plunger Rod	46-0722	3	36	Plug	39-0097	1
3	Oil Seal	26-0192	1	20	Washer	28-1027	3	37	Lockwasher	29-0153	8
4	Retaining Ring	46-0667	1	21	O-ring	25-0371	3	38	Screw	27-8875	8
5	Bearing	48-0059	1	22	Piston	46-0723	3	39	Manifold	46-0730	1
6	Screw	27-8886	1	23	Washer / Gasket	26-0187	3	40	O-ring	25-0372	1
7	Crankshaft	46-0717	1	24	Nut	30-6016	3	41	Plug	39-0088	1
8	Plug	39-0086	3	25	Oil Dipstick	39-0090	1	42	Support Ring (See 70-0182)	N/A Sep.	3
9	O-ring	25-0325	3	26	Pump Crankcase	46-0724	1	43	V-Packing (See 70-0181)	N/A Sep.	3
10	Screw	27-8888	6	27	Bearing	48-0063	1	44	Packing Retainer	46-0728	3
11	Pump	46-0719	1	28	Snap Ring - External	46-0732	1	45	Low Pressure Seal	46-0727	3
12	O-ring	25-0370	1	29	Snap Ring - Internal	46-0676	1	46	Low Pressure Retainer	46-0726	3
13	Oil Sight Glass	46-0670	1	30	Bearing Cap	46-0725	1	47	O-ring	25-0399	3
14	Oil Reflector	46-0824	1	31	Valve Cap	39-0087	6	48	Low Pressure Seal	N/A	3
15	Spring Retainer	46-0671	1	32	O-ring	25-0160	6		High Pressure Seals Kit (Inc. 3 each 43, 45, 47)	70-0181	
16	O-ring	25-0398	1	33	Single Valve Assembly (See 70-0161)	N/A Sep.	6		Support Ring Kit (Inc. 3 each 42)	70-0182	
17	Connecting Rod	46-0720	3	34	O-ring	25-0386	6		Valve Kit (Inc. 6 each 33-34)	70-0161	

UNLOADER ASSEMBLY (8-0456)

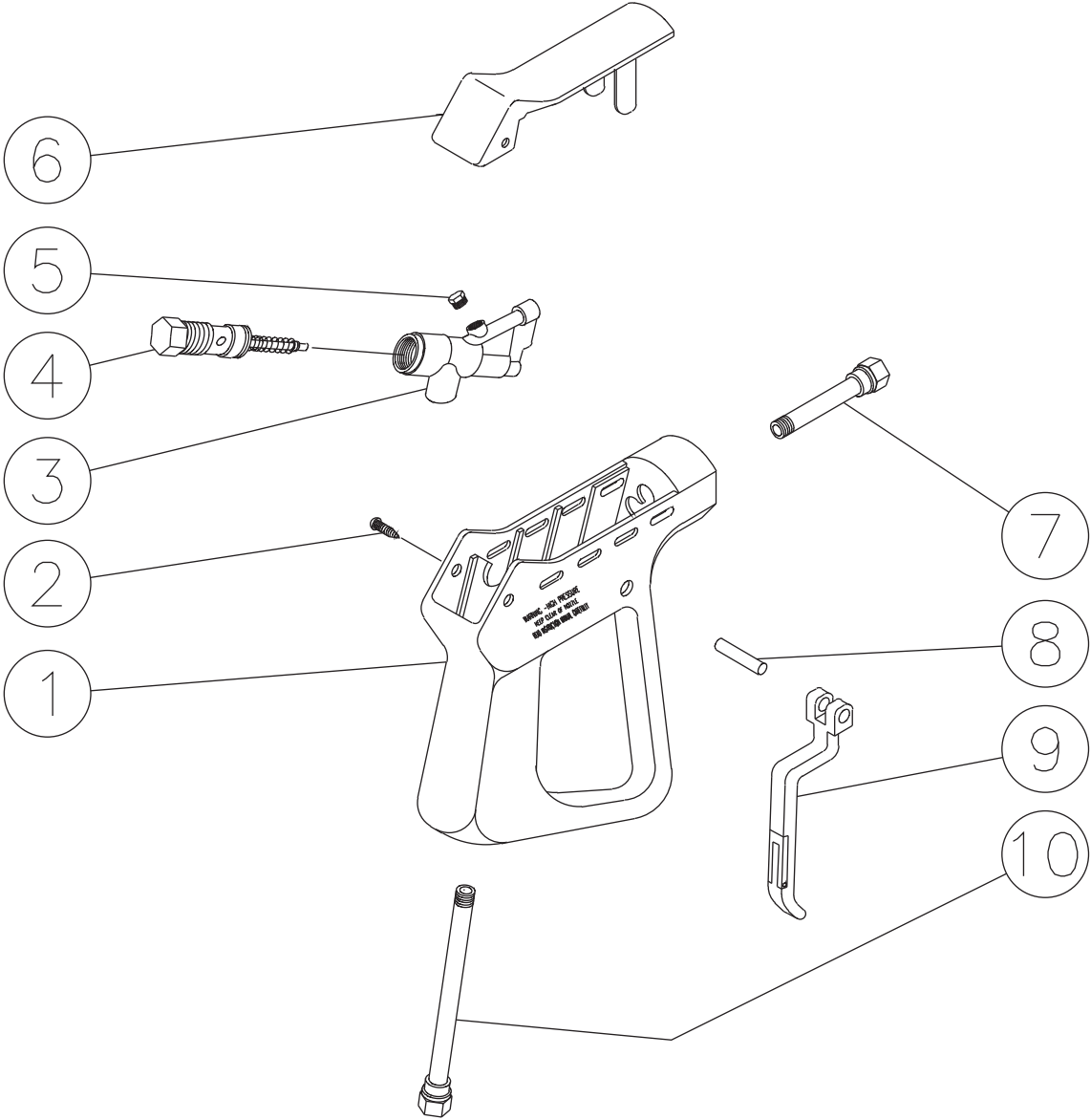
TORQUE SPECIFICATIONS	
POSITION	FT-LBS
9	25.8
20	18.5
25	18.5
28	18.5
33	25.8



UNLOADER ASSEMBLY (8-0456)

REF. #	DESCRIPTION	PART #	QTY.	REF. #	DESCRIPTION	PART #	QTY.
1	Unloader Cap	7-0142	1	18	Piston	8-0442	1
2	Bolt	27-8433	1	19	O-ring	25-0389	1
3	Nut	30-3025	1	20	Nipple	8-0441	1
4	Unloader Knob	7-0141	1	21	O-ring	25-0388	1
5	Adjustment Barrel	8-0476	1	22	Inlet Bypass Adapter	8-0437	1
6	Pin	8-0477	1	23	Washer	8-0439	1
7	Spring Button	8-0475	1	24	Washer	8-0440	1
8	Spring	49-0132	1	25	Adapter	8-0438	1
9	Spring Guide	8-0474	1	26	Adapter	8-0448	1
10	Spring Button	8-0445	1	27	Washer	8-0449	1
11	Poppet	8-0443	1	28	Unloader Body	8-0451	1
12	Pin	8-0444	1	29	O-ring	25-0391	1
13	Back-up Ring	25-0396	1	30	Check Valve	8-0454	1
14	O-ring	25-0390	1	31	Check Valve Spring	49-0123	1
15	Washer	8-0450	1	32	O-ring	25-0372	1
16	Back-up Ring	25-0395	2	33	Adapter Nipple	24-0159	1
17	O-ring	25-0371	2		Unloader Repair Kit (Inc. 13, 14, 16, 17, 19, 21, 29)	70-0180	

GUN ASSEMBLY (16-0001)



GUN ASSEMBLY (16-0001)			
REF. #	DESCRIPTION	PART #	QTY.
1	Plastic Housing	16-0008	1
2	Screw	27-3230	2
3	Brass Housing	16-0012	1
4	Gun Repair Kit	70-0055	1
5	Brass Plug	39-0024	1
6	Plastic Cover	16-0009	1
7	Pipe Assembly	16-0013	1
8	Trigger Pin	16-0063	1
9	Trigger/Safety Lock-off	16-0010	1
10	Pipe Assembly- Inlet	16-0016	1
	Complete Gun Assembly	16-0001	1

