

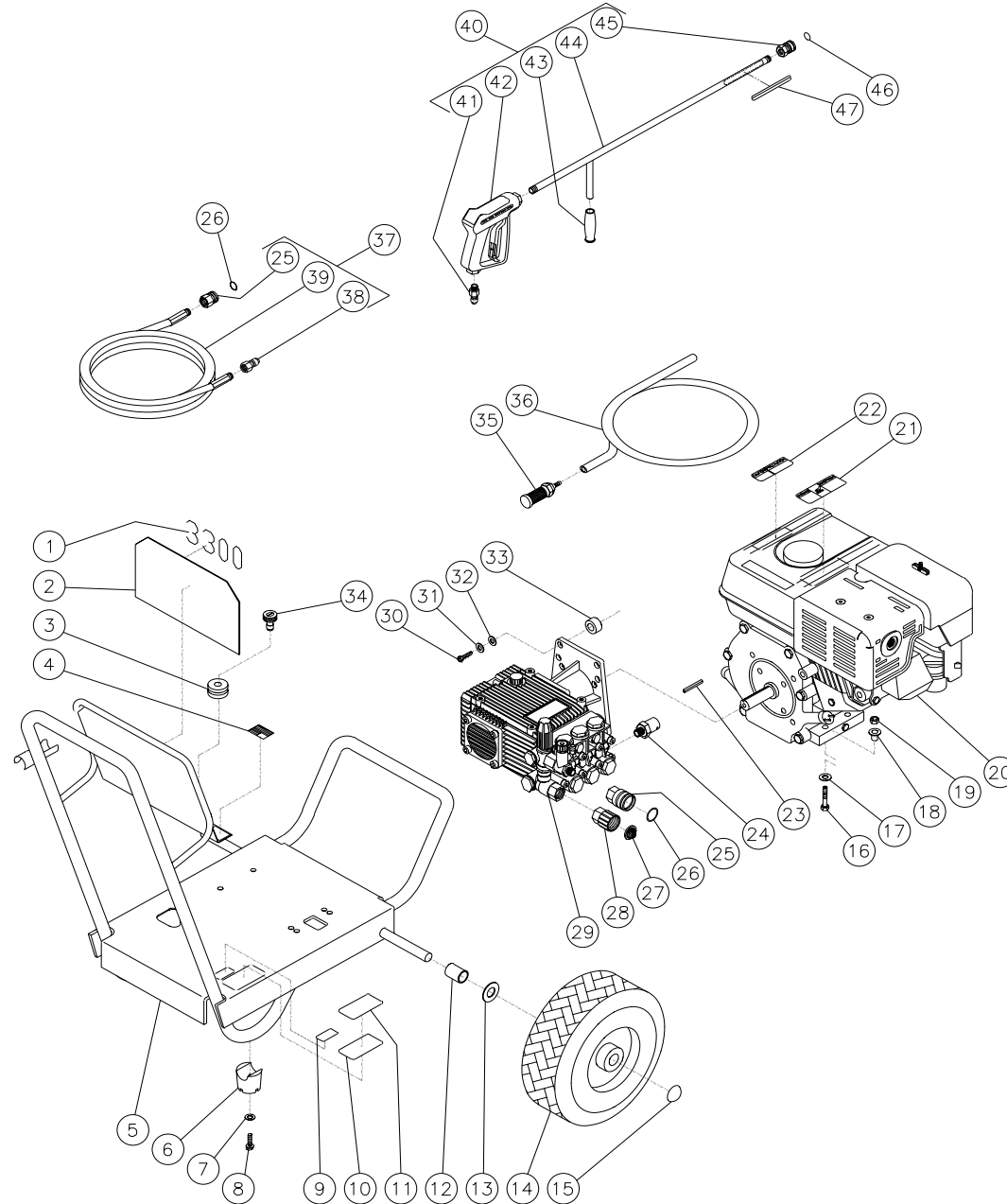
**THE**  
**JOB PRO™** by **Mi-T-M®**

**8650 ENTERPRISE DRIVE  
PEOSTA, IA 52068-0050  
800-553-9053 / Fax 319-556-1235**

**JP-3304-0MHB  
PARTS LIST**

|                             |                                      |
|-----------------------------|--------------------------------------|
| <b>Engine Oil Grade:</b>    | <b>SAE 10 W/30</b>                   |
| <b>Engine Oil Capacity:</b> | <b>34.5 oz.</b>                      |
| <b>Pump Oil Grade:</b>      | <b>Mi-T-M Pump Oil #AW-4085-0016</b> |
| <b>Pump Oil Capacity:</b>   | <b>18.5 oz.</b>                      |
| <b>Nozzle Size:</b>         | <b>3.5</b>                           |

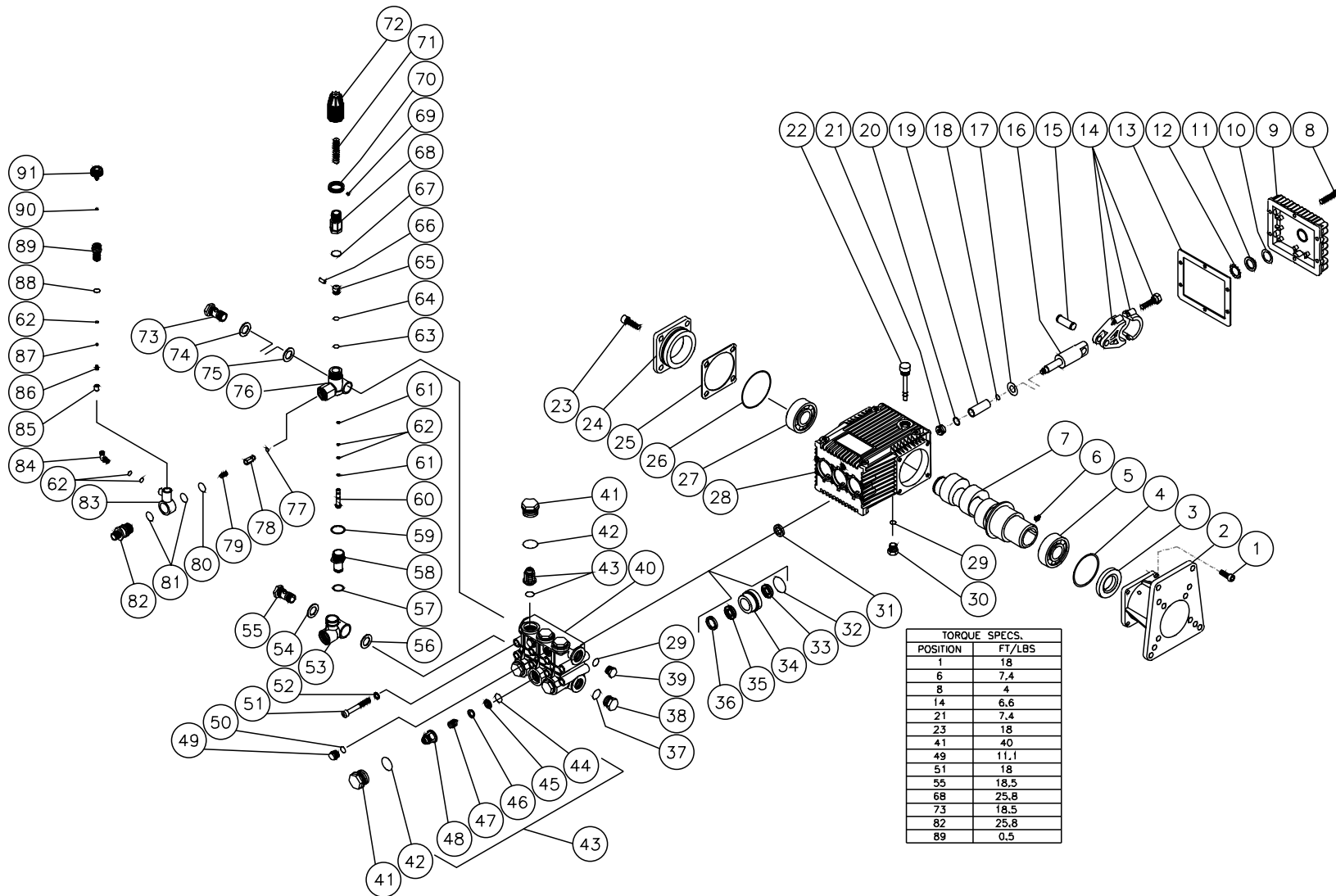
# FRAME ASSEMBLY FOR JP-3304-0MHB



PDJP003/010397/JTR

| FRAME ASSEMBLY FOR JP-3304-0MHB  |   |           |      |  |        |                                       |             |
|----------------------------------|---|-----------|------|--|--------|---------------------------------------|-------------|
| REF. #                           | DESCRIPTION                               | PART #    | QTY. |  | REF. # | DESCRIPTION                           | PART # QTY. |
| 1                                | Decal-3300 Die Cut                        | 34-0776   | 1    |  | 26     | O-ring                                | 25-0123 2   |
| 2                                | Decal-Warning/Caution/Operating Bilingual | 34-0778   | 1    |  | 27     | Filter                                | 19-0001 1   |
| 3                                | Grommet                                   | 33-0001   | 5    |  | 28     | Garden Hose Swivel                    | 23-0095 1   |
| 4                                | Decal-American Flag                       | 34-0521   | 1    |  | 29     | Pump                                  | 3-0148 1    |
| 5                                | Frame                                     | 5-0124A01 | 1    |  | 30     | Bolt                                  | 27-0118 4   |
| 6                                | Isolator                                  | 14-0066   | 2    |  | 31     | Lockwasher                            | 29-0008 4   |
| 7                                | Washer                                    | 28-0021   | 2    |  | 32     | Washer                                | 28-0022 4   |
| 8                                | Screw                                     | 27-3096   | 2    |  | 33     | Shim (when needed)                    | 33-0205 4   |
| 9                                | Decal-Cold Water Serial Number            | N/A       | 1    |  | 34     | Nozzle-0003.5                         | 18-0257 1   |
| 10                               | Decal-Silver Sticker                      | 34-0075   | 1    |  |        | Nozzle-1503.5                         | 18-0258 1   |
| 11                               | Decal-Clear Laminate                      | 34-0210   | 1    |  |        | Nozzle-2503.5                         | 18-0259 1   |
| 12                               | Axle Spacer                               | 20-0313   | 2    |  |        | Nozzle-6540                           | 18-0148 1   |
| 13                               | Washer                                    | 28-0008   | 5    |  | 35     | Detergent Strainer                    | 19-0050 1   |
| 14                               | Wheel                                     | 14-0017   | 2    |  | 36     | Detergent Hose *(4 feet total)        | 15-0021 1   |
| 15                               | Hubcap                                    | 33-0018   | 2    |  | 37     | Pressure Hose Assy. (Inc. 25, 38, 39) | 851-0006 1  |
| 16                               | Bolt                                      | 27-0071   | 4    |  | 38     | Quick Connect Plug                    | 17-0006 1   |
| 17                               | Washer                                    | 28-0003   | 4    |  | 39     | Pressure Hose                         | 15-0004 1   |
| 18                               | Shim-Engine                               | 33-0169   | 4    |  | 40     | Gun & Wand Assy. (Inc. 41-45)         | 851-0095 1  |
| 19                               | Locknut                                   | 30-0157   | 4    |  | 41     | Quick Connect Plug                    | 17-0005 1   |
| 20                               | Engine-Honda 11.0 HP                      | 1-0039    | 1    |  | 42     | Gun                                   | 16-0001 1   |
| 21                               | Decal-Warning: Muffler Hot Bilingual      | 34-0598   | 1    |  | 43     | Grip Handle                           | 7-0002 1    |
| 22                               | Decal-Caution: Allow to Cool Bilingual    | 34-0599   | 1    |  | 44     | Wand-36" w/Handle                     | 16-0120 1   |
| 23                               | Key                                       | 43-0078   | 1    |  | 45     | Quick Connect Socket                  | 17-0001 1   |
| 24                               | Heat Dump Valve                           | 22-0005   | 1    |  | 46     | O-ring                                | 25-0122 1   |
| 25                               | Quick Connect Socket                      | 17-0004   | 2    |  | 47     | Decal-Warning: Risk of Injection      | 34-0572 1   |
| *Must order in one foot lengths. |   |           |      |  |        |                                       |             |

# PUMP ASSEMBLY (3-0148)

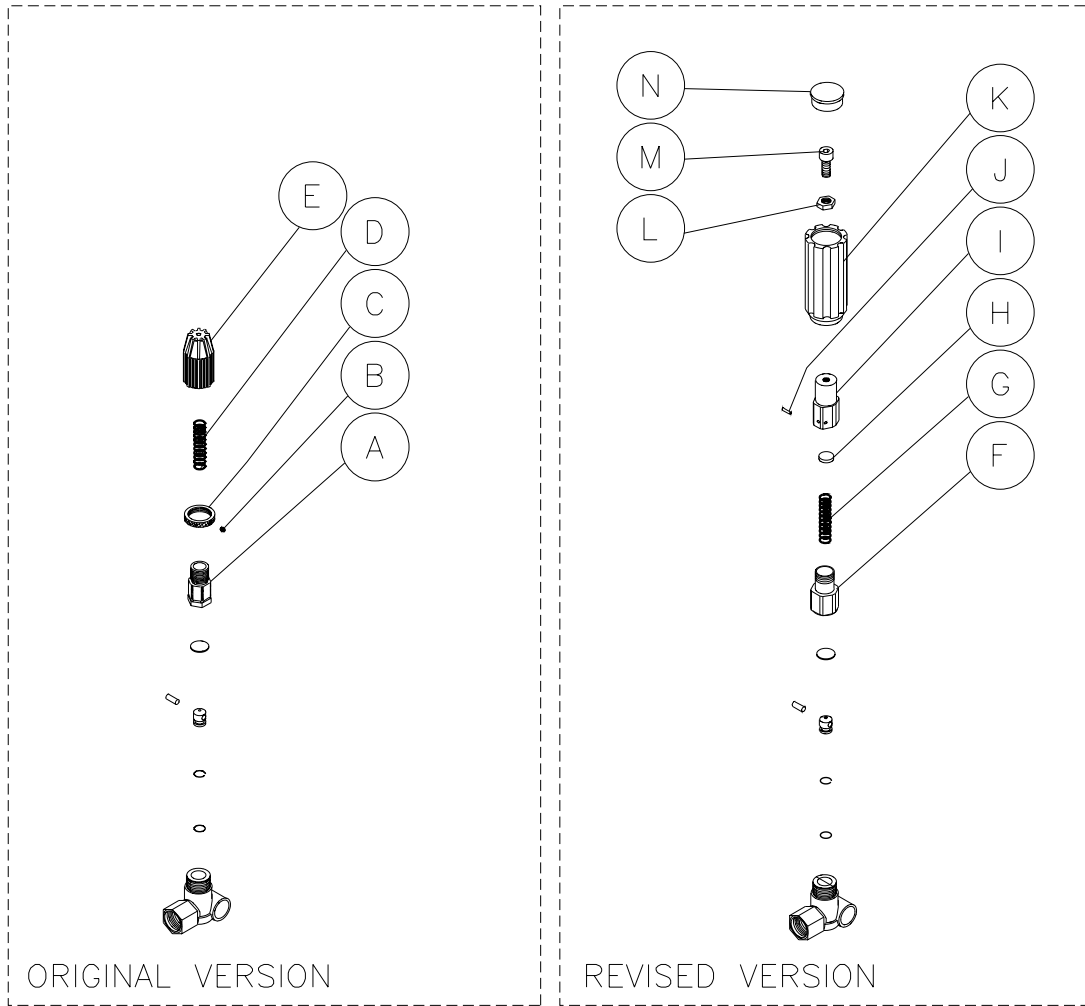


| TORQUE SPECS. |        |
|---------------|--------|
| POSITION      | FT/LBS |
| 1             | 18     |
| 6             | 7,4    |
| 8             | 4      |
| 14            | 6,6    |
| 21            | 7,4    |
| 23            | 18     |
| 41            | 40     |
| 49            | 11,1   |
| 51            | 18     |
| 55            | 18,5   |
| 68            | 25,8   |
| 73            | 18,5   |
| 82            | 25,8   |
| 89            | 0,5    |

OMPMP039-010397-JTR

| PUMP ASSEMBLY (3-0148) |                                  |         |      |        |   |          |      |        |   |          |      |
|------------------------|----------------------------------|---------|------|--------|---|----------|------|--------|---|----------|------|
| REF. #                 | DESCRIPTION                      | PART #  | QTY. | REF. # | DESCRIPTION                                   | PART #   | QTY. | REF. # | DESCRIPTION                                     | PART #   | QTY. |
| 1                      | Bolt                             | 27-8432 | 4    | 33     | Low Pressure Seal (See 70-0177)               | N/A Sep. | 3    | 66     | Pin   | 8-0444   | 1    |
| 2                      | Flange                           | 46-0714 | 1    | 34     | Packing Retainer                              | 46-0708  | 3    | 67     | Spring Button                                   | 8-0445   | 1    |
| 3                      | Oil Seal                         | 26-0194 | 1    | 35     | V-Packing (See 70-0177)                       | N/A Sep. | 3    | 68     | Guide Spring                                    | 8-0447   | 1    |
| 4                      | O-Ring                           | 25-0397 | 1    | 36     | Support Ring (See 70-0178)                    | N/A Sep. | 3    | 69     | Set Screw                                       | 27-8876  | 1    |
| 5                      | Roller Bearing                   | 48-0062 | 1    | 37     | O-ring  | 25-0372  | 1    | 70     | Lock Nut  | 8-0446   | 1    |
| 6                      | Set Screw                        | 27-8886 | 1    | 38     | Plug  | 39-0088  | 1    | 71     | Spring  | 49-0122  | 1    |
| 7                      | Crankshaft                       | 46-0734 | 1    | 39     | Plug  | 39-0086  | 1    | 72     | Unloader Knob                                   | 7-0139   | 1    |
| 8                      | Bolt                             | 27-8885 | 6    | 40     | Manifold                                      | 46-0711  | 1    | 73     | Adapter   | 8-0448   | 1    |
| 9                      | Crankcase Cover                  | 46-0693 | 1    | 41     | Valve Cap                                     | 39-0095  | 6    | 74     | Washer  | 8-0449   | 1    |
| 10                     | O-ring                           | 25-0370 | 1    | 42     | O-ring  | 25-0160  | 6    | 75     | Washer  | 8-0450   | 1    |
| 11                     | Oil Sight Glass                  | 46-0670 | 1    | 43     | Single Valve Assy. (Inc. 44-48) (See 70-0179) | N/A Sep. | 6    | 76     | Unloader Body                                   | 8-0451   | 1    |
| 12                     | Retainer                         | 46-0671 | 1    | 44     | O-ring  | 25-0386  | 6    | 77     | O-ring  | 25-0391  | 1    |
| 13                     | Gasket                           | 26-0189 | 1    | 45     | Valve Seat (See 70-0179)                      | N/A Sep. | 6    | 78     | Check Valve                                     | 8-0454   | 1    |
| 14                     | Connecting Rod                   | 46-0696 | 3    | 46     | Valve Plate (See 70-0179)                     | N/A Sep. | 6    | 79     | Spring  | 49-0123  | 1    |
| 15                     | Piston Pin                       | 46-0698 | 3    | 47     | Valve Spring (See 70-0179)                    | N/A Sep. | 6    | 80     | O-ring  | 25-0372  | 1    |
| 16                     | Plunger Rod                      | 46-0699 | 3    | 48     | Valve Cage (See 70-0179)                      | N/A Sep. | 6    | 81     | O-ring  | 25-0392  | 1    |
| 17                     | Slinger Washer                   | 46-0700 | 3    | 49     | Plug  | 39-0096  | 2    | 82     | Injector Adapter                                | 8-0457   | 1    |
| 18                     | O-ring                           | 25-0382 | 6    | 50     | O-ring  | 25-0387  | 2    | 83     | Detergent Injector Body                         | 8-0453   | 1    |
| 19                     | Ceramic Piston                   | 46-0701 | 3    | 51     | Bolt  | 27-8440  | 8    | 84     | Detergent Injector Elbow                        | 8-0411   | 1    |
| 20                     | Washer                           | 26-0191 | 3    | 52     | Lockwasher                                    | 29-0154  | 8    | 85     | Valve Cage (See 70-0165)                        | N/A Sep. | 1    |
| 21                     | Nut                              | 30-6020 | 3    | 53     | Inlet Bypass Adapter                          | 8-0437   | 1    | 86     | Spring (See 70-0165)                            | N/A Sep. | 1    |
| 22                     | Oil Dipstick                     | 39-0090 | 1    | 54     | Washer  | 8-0440   | 1    | 87     | Ball (See 70-0165)                              | N/A Sep. | 1    |
| 23                     | Bolt                             | 27-8884 | 4    | 55     | Adaptor                                       | 8-0438   | 1    | 88     | O-ring (See 70-0165)                            | N/A Sep. | 1    |
| 24                     | Bearing Cap                      | 46-0703 | 1    | 56     | Washer  | 8-0439   | 1    | 89     | Injector Body                                   | 8-0418   | 1    |
| 25                     | Shim 0.1mm (Quantity varies 1-3) | 46-0704 | --   | 57     | O-ring (See 70-0180)                          | N/A Sep. | 1    | 90     | O-ring  | 25-0253  | 1    |
|                        | Shim 0.2mm (Quantity varies 1-3) | 46-0705 | --   | 58     | Nipple  | 8-0441   | 1    | 91     | Adjustable Detergent Knob                       | 7-0138   | 1    |
| 26                     | O-ring                           | 25-0380 | 1    | 59     | O-ring (See 70-0180)                          | N/A Sep. | 1    |        | High Pressure Seal Kit (Inc. 3 each 32, 33, 35) | 70-0177  |      |
| 27                     | Bearing                          | 48-0061 | 1    | 60     | Piston  | 8-0442   | 1    |        | Support Ring Kit (Includes 3 each 36)           | 70-0178  |      |
| 28                     | Crankcase                        | 46-0706 | 1    | 61     | Back-up Ring (See 70-0180)                    | N/A Sep. | 2    |        | Valve Kit (Includes 6 each 44-48)               | 70-0179  |      |
| 29                     | O-ring                           | 25-0325 | 2    | 62     | O-ring  | 25-0371  | 5    |        | Unloader Repair Kit (Inc. 57, 59, 61-64, 77)    | 70-0180  |      |
| 30                     | Plug                             | 39-0086 | 2    | 63     | O-ring (See 70-0180)                          | N/A Sep. | 1    |        | Injector Repair Kit (Inc. 62, 85-88)            | 70-0185  |      |
| 31                     | Oil Seal                         | 26-0190 | 3    | 64     | Back-up Ring (See 70-0180)                    | N/A Sep. | 1    |        | Unloader Complete                               | 8-0456   |      |
| 32                     | O-ring                           | 25-0384 | 3    | 65     | Poppet  | 8-0443   | 1    |        | Detergent Injector Complete                     | 70-0196  |      |

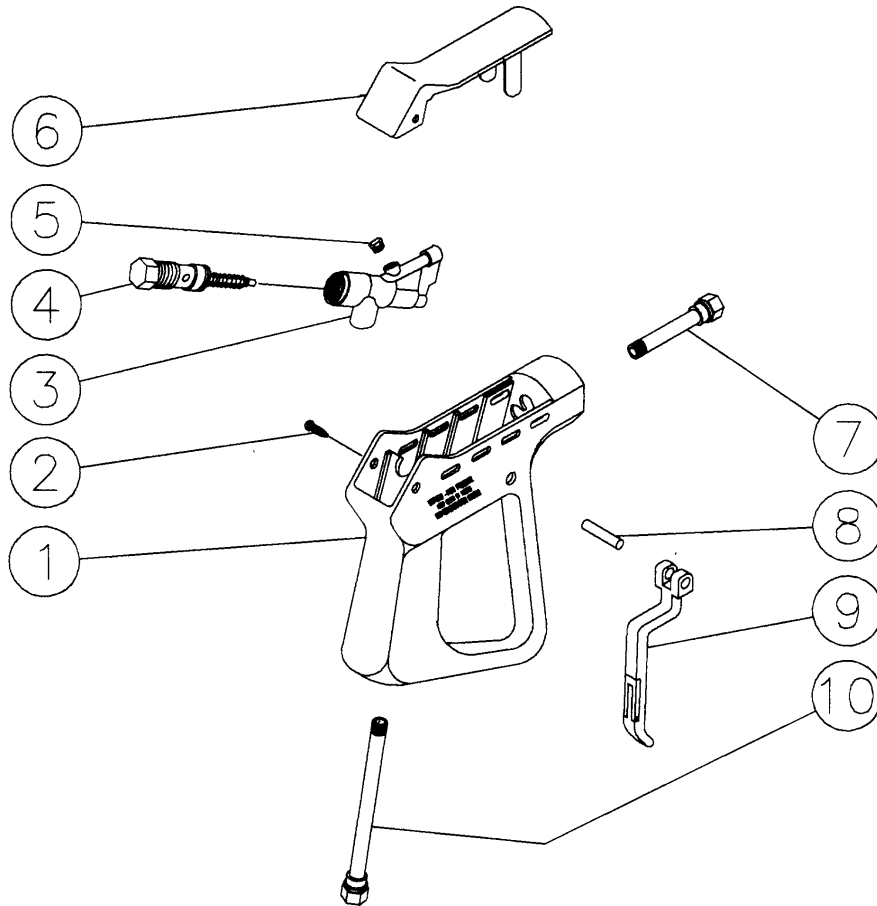
## UNLOADER KNOB UPDATE



0MGEN250-031797-JTR

| UNLOADER ASSEMBLY (8-0456) |                   |         |                   |                   |
|----------------------------|-------------------|---------|-------------------|-------------------|
| REF. #                     | DESCRIPTION       | PART #  | Original Quantity | Revision Quantity |
| A                          | Guide Spring      | 8-0447  | 1                 | -                 |
| B                          | Set Screw         | 27-8876 | 1                 | -                 |
| C                          | Locknut           | 8-0446  | 1                 | -                 |
| D                          | Spring            | 49-0122 | 1                 | -                 |
| E                          | Unloader Knob     | 7-0139  | 1                 | -                 |
| F                          | Guide Spring      | 8-0474  | -                 | 1                 |
| G                          | Spring            | 49-0132 | -                 | 1                 |
| H                          | Spring Button     | 8-0475  | -                 | 1                 |
| I                          | Adjustment Barrel | 8-0476  | -                 | 1                 |
| J                          | Pin               | 8-0477  | -                 | 1                 |
| K                          | Unloader Knob     | 7-0141  | -                 | 1                 |
| L                          | Nut               | 30-3025 | -                 | 1                 |
| M                          | Bolt              | 27-8433 | -                 | 1                 |
| N                          | Cap               | 7-0142  | -                 | 1                 |

## GUN & WAND ASSEMBLY



OMGEN013-080294-BAR

| <b>GUN ASSEMBLY (16-0001)</b> |                         |         |      |
|-------------------------------|-------------------------|---------|------|
| Ref. #                        | Description             | Part #  | Qty. |
| 1                             | Plastic Housing         | 16-0008 | 1    |
| 2                             | Screw                   | 27-3230 | 2    |
| 3                             | Brass Housing           | 16-0012 | 1    |
| 4                             | Gun Repair Kit          | 70-0055 | 1    |
| 5                             | Brass Plug              | 39-0024 | 1    |
| 6                             | Plastic Cover           | 16-0009 | 1    |
| 7                             | Pipe Assembly           | 16-0013 | 1    |
| 8                             | Trigger Pin             | 16-0063 | 1    |
| 9                             | Trigger Safety Lock-off | 16-0010 | 1    |
| 10                            | Pipe Assembly-Inlet     | 16-0016 | 1    |
|                               | Gun Assembly Complete   | 16-0001 | 1    |

