

# **THE WORK PRO<sup>®</sup>**

**by Mi-T-M<sup>®</sup>**

8650 Enterprise Drive, Peosta IA 52068  
319-556-7484 / Fax 319-556-1235

## **PARTS LIST FOR WP-2000-0MTB**

<b>Engine Oil Grade:</b>	<b>ABOVE 40°F=SAE30 BELOW 40°F=SAE10W-30</b>
<b>Engine Oil Capacity:</b>	<b>20 oz.</b>
<b>Pump Oil Grade:</b>	<b>Mi-T-M Pump Oil #AW-4085-0016</b>
<b>Pump Oil Capacity (Sealed):</b>	<b>3.53 oz.</b>
<b>Nozzle Size:</b>	<b>3.5</b>

This Parts Listing has been compiled for your benefit. You can be assured your Mi-T-M Cold Water Pressure Washer was constructed and designed with quality and performance in mind using over 25 years experience in the pressure washer business. Each component has been rigorously tested to insure the highest level of acceptance.

The contents of this Parts Listing are based on the latest product information available at the time of publication. Mi-T-M reserves the right to make changes in price, color, materials, equipment, specifications or models at any time without notice.

**WARNING**

THIS IS A PROFESSIONAL HIGH PRESSURE, COLD WATER PRESSURE WASHER. CAUTION SHOULD BE OBSERVED WHEN USING OR REPAIRING THIS UNIT! READ AND FOLLOW THE SAFETY WARNINGS LISTED BELOW BEFORE ATTEMPTING ANY REPAIRS ON THIS PRESSURE WASHER!

**SAFETY WARNINGS**

1. NEVER alter or modify the equipment. Be sure any accessory items and system components being used will withstand the pressure developed. Use only genuine Mi-T-M parts for repair of your pressure washer. Failure to do so can cause hazardous operating conditions and will VOID warranty.
2. NEVER make adjustments on machinery while the unit is connected to the engine without first removing the ignition cable from the spark plug. Turning over the machinery by hand during adjustment or cleaning might start the engine and machinery with it, causing serious injury to the operator.
3. Know how to stop and bleed pressures quickly. Be thoroughly familiar with controls.
4. Before servicing the unit, turn unit off, relieve the water pressure and allow the unit to cool down. Do not make repairs while the unit is running. Service in a clean, dry, flat area. Block the wheels to prevent the unit from moving. Be especially careful to properly dispose of any flammable materials.
5. After testing the machine, DO NOT leave the pressurized unit unattended. Shut off the unit and release trapped pressure before leaving.

**Table of Contents**

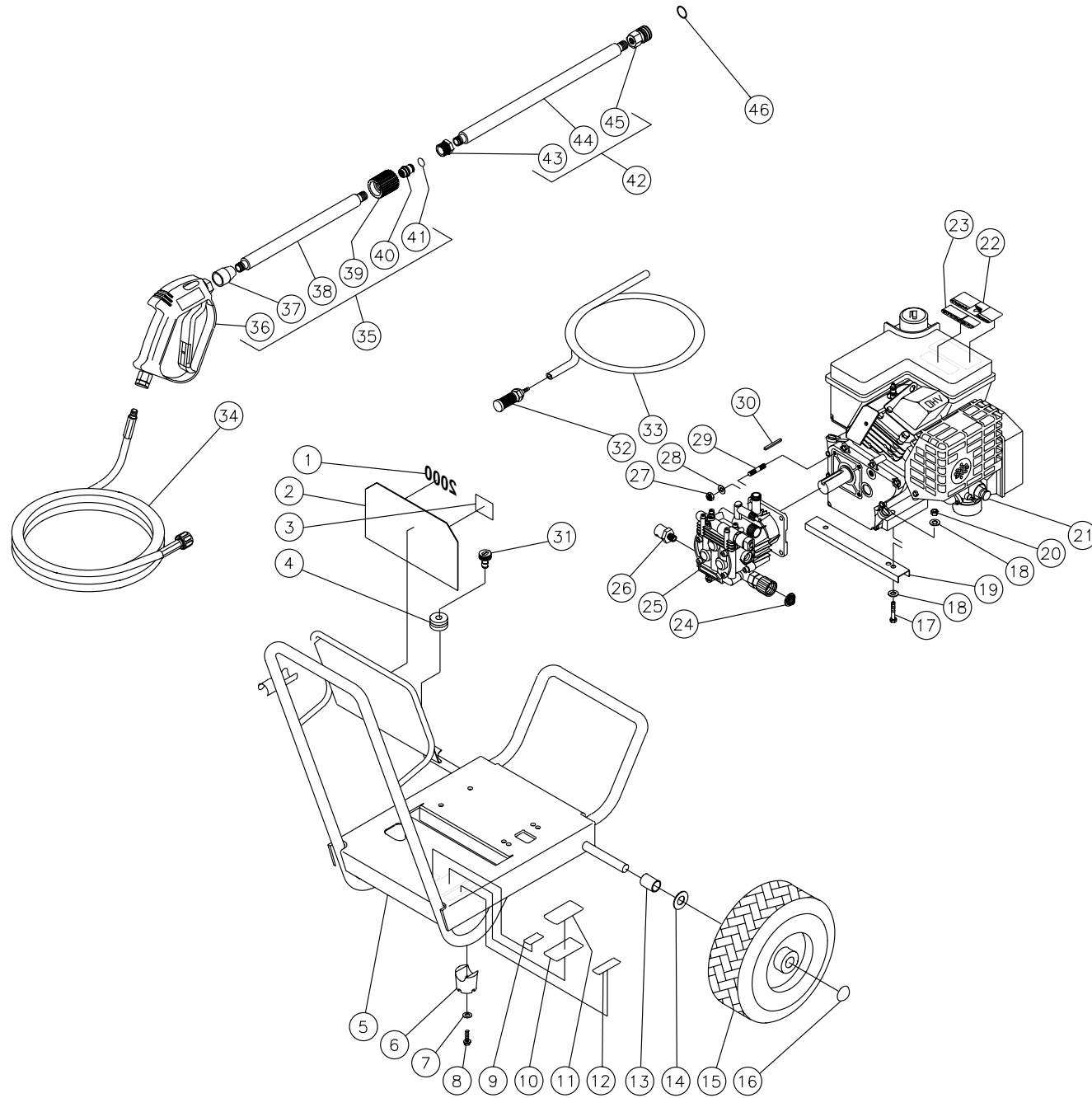
<b>SPECIFICATIONS .....</b>	<b>3</b>
<b>FRAME ASSEMBLY FOR WP-2000-0MTB .....</b>	<b>4</b>
<b>PUMP ASSEMBLY (3-0153) .....</b>	<b>6</b>
<b>GUN ASSEMBLY (16-0190) .....</b>	<b>8</b>
<b>NOTES .....</b>	<b>10</b>

## SPECIFICATIONS

WP-2000-OMTB

MODEL NUMBER	WP-2000-OMTB
<b>Operating Pressure (PSI/Bar):</b>	2000/137.9
<b>High Pressure Nozzle:</b>	3.5
<b>Water Volume (GPM/lpm):</b>	2.5/9.5
<b>Engine:</b>	Tecumseh
Horsepower	5.0
Engine Type	4 Stroke, Overhead Valve, Single Cylinder
Oil Type	Above 40 F=SAE30/Below 40 F=SAE10W-30
Oil Capacity (oz./liters)	20/.6
Fuel Type	Unleaded Gasoline 86 Octane Minimum
Fuel Capacity (gallon/ liters)	.75/2.9
Starting	Recoil
Maximum No Load RPM	3600 (+/- 100) RPM
<b>Pump:</b>	Direct Driven, Oil Bath, Triplex Piston
Oil Type	Mi-T-M Pump Oil #AW-4085-0016
Oil Capacity (oz./liters)	3.53/.10
Plungers	Stainless Steel
Manifold	Forged Brass
Valves	Stainless Steel
Unloader	Adjustable
Heat Dump Valve	Relieves heated water during unloader bypass stage
Detergent Injector	Adjustable low pressure down stream from pump
<b>Unit Net Weight (lbs/Kg)</b>	72/32.5
<b>Unit Shipping Weight (lbs/Kg)</b>	84/38
<b>Unit Net Dimension (in/cm)</b>	30Lx21Wx26H/ 76Lx53.5Wx66H
<b>Unit Shipping Dimension (in/cm)</b>	30.5Lx21.5Wx26.5H/77.5Lx54.5Wx67.5H

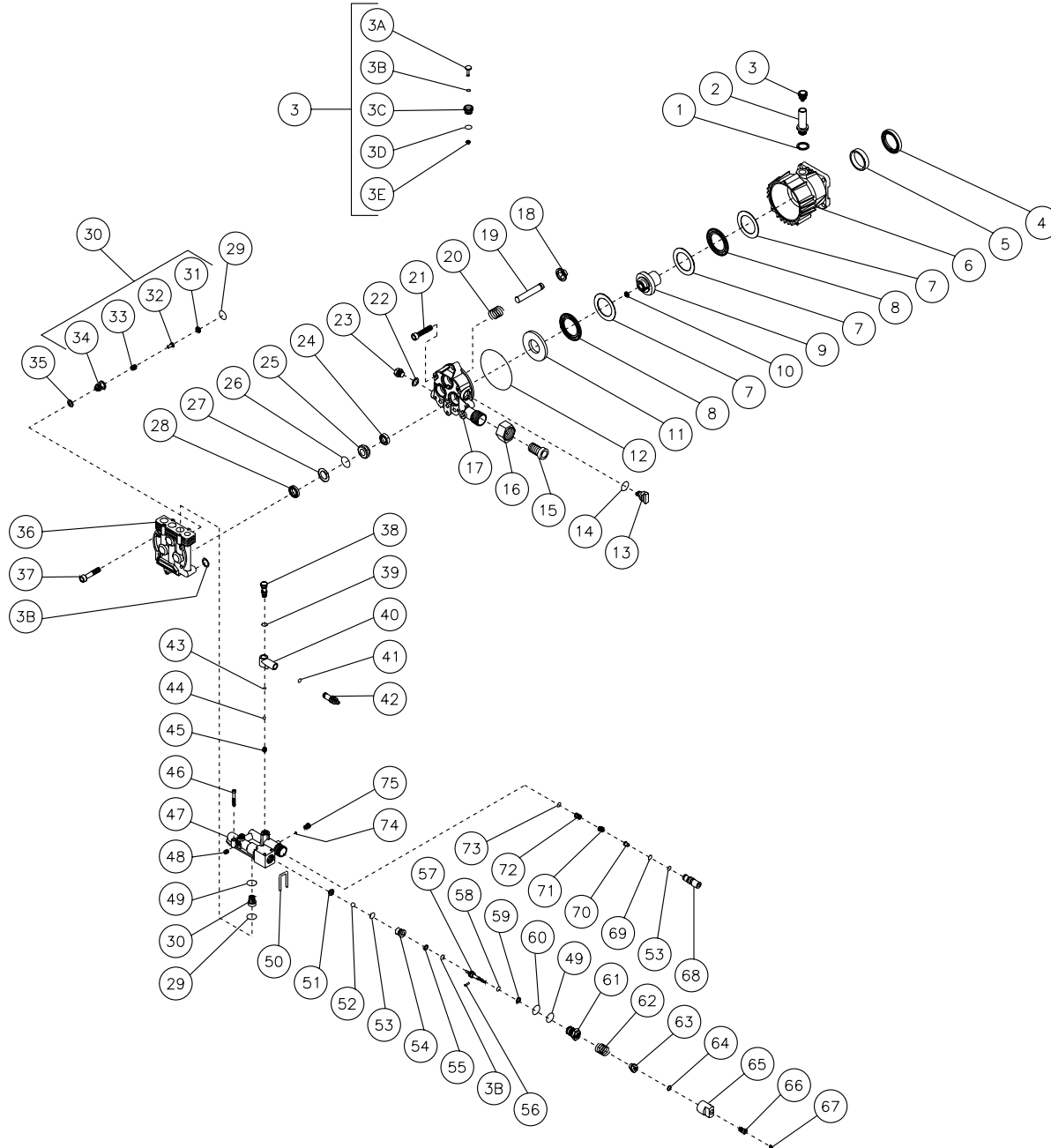
# FRAME ASSEMBLY FOR WP-2000-0MTB



WP-2000-0MTB-052200-RD

FRAME ASSEMBLY FOR WP-2000-0MTB							
REF. #	DESCRIPTION	PART #	QTY.	REF. #	DESCRIPTION	PART #	QTY.
1	Decal- Die Cut 2000	34-0771	1	26	Heat Dump Valve	22-0114	1
2	Decal- Warning/Caution/Operation (E/S)	34-0737	1	27	Nut	30-0004	4
3	Decal- American Flag	34-0521	1	28	Lockwasher	29-0007	4
4	Grommet	33-0001	5	29	Stud	27-8889	4
5	Frame	5-0123A20	1	30	Key	43-0073	1
6	Isolator	14-0066	2	31	Nozzle- 1503.5	18-0258	1
7	Washer	28-0021	2	-	Nozzle- 2503.5	18-0259	1
8	Screw	27-3096	2	-	Nozzle- 6540	18-0148	1
9	Decal- Serial Number	N/A	1	32	Detergent Strainer	19-0050	1
10	Decal- Data Plate	N/A	1	33	Detergent Hose *(Four Feet Required)	15-0021	1
11	Decal- Clear Laminate	N/A	1	34	Pressure Hose	15-0169	1
12	Decal- Technical Service Number	34-0603	1	35	Gun/Wand Assembly (Inc. 37-42)	851-0245	1
13	Axle Spacer	20-0313A01	2	36	Gun Assembly	16-0190	1
14	Washer	28-0008	5	37	Protective Cover	62-0091	1
15	Wheel	14-0080	2	38	Insulated Lance	16-9001	1
16	Hubcap	33-0018	2	39	Hand Wheel	16-0303	1
17	Bolt	27-0070	4	40	Plug	23-0267	1
18	Washer	28-0003	8	41	O-ring	25-0291	1
19	Support Brace	13-0119A20	1	42	Lance Assembly (Inc. 44-46)	851-0292	1
20	Locknut	30-0157	4	43	Adapter	23-0266	1
21	Engine- 5.0 H.P. Tecumseh	1-0097	1	44	Insulated Lance	16-9003	1
22	Decal- Warning: Muffler Hot (E/S)	34-0598	1	45	Quick Connect Socket	17-0001	1
23	Decal- Caution: Allow to Cool (E/S)	34-0599	1	46	O-ring (Replacement)	25-0122	-
24	Filter	19-0001	1	*Must Order in One Foot Lengths			
25	Pump	3-0153	1				

# PUMP ASSEMBLY (3-0153)

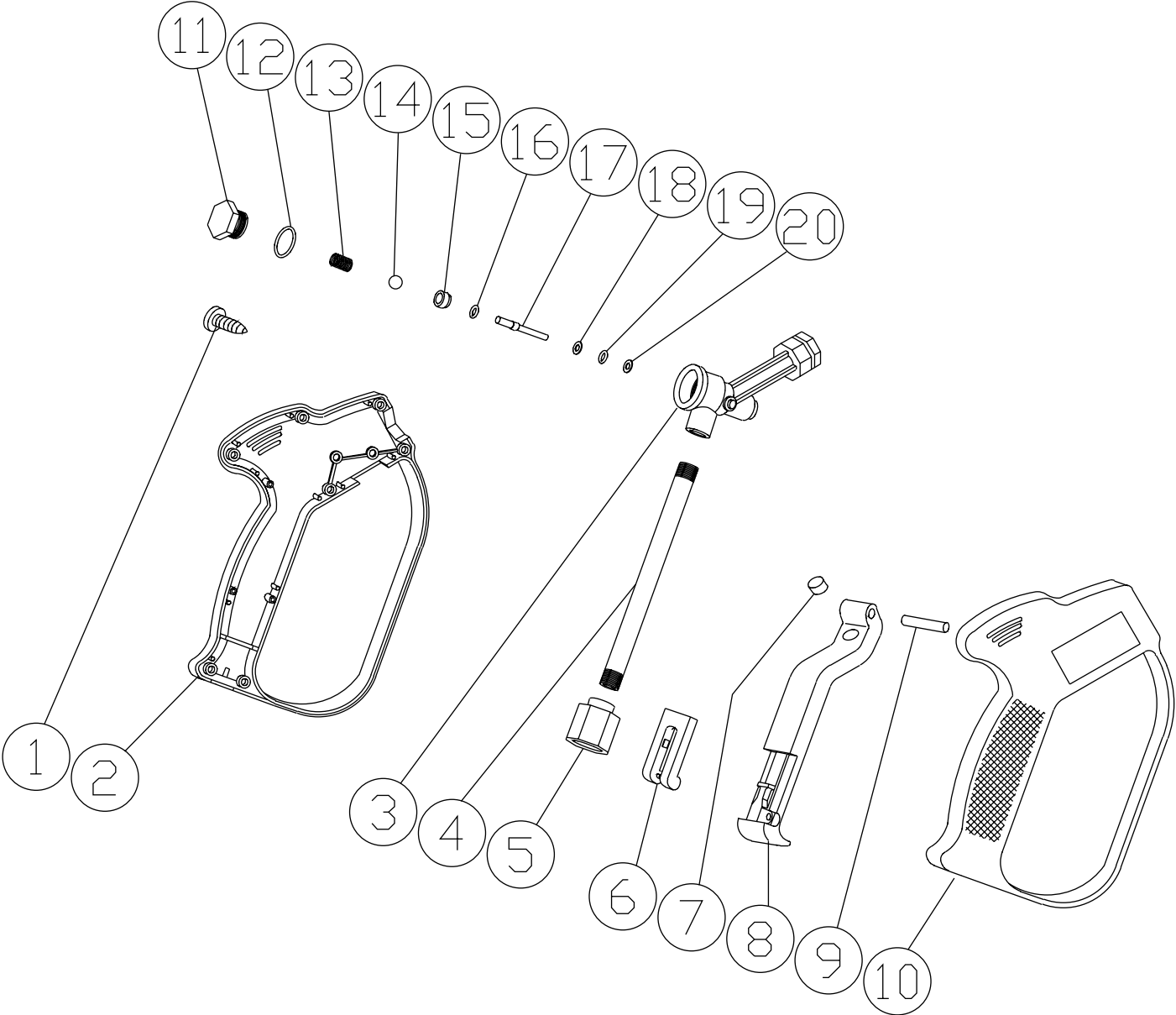


3-0153-062700-RD

## PUMP ASSEMBLY (3-0153)

REF #	DESCRIPTION	PART #	QTY	REF #	DESCRIPTION	PART #	QTY	REF #	DESCRIPTION	PART #	QTY
1	Gasket	46-0779	1	26	O-ring (See 70-0190)	N/A Sep.	3	56	O-ring	25-0230	1
2	Vent Extension	46-0748	1	27	Back-up Ring (See 70-0190)	N/A Sep.	3	57	Roll Pin	46-0364	1
3	Oil Vent Assembly (Includes 3A-3E)	46-0634	1	28	Pressure Seal (See 70-0190)	N/A Sep.	3	58	Piston By-pass Valve (See 70-0215)	N/A Sep.	1
3A	Oil Vent Piston	N/A Sep.	1	29	O-ring	25-0359	6	59	O-ring	25-0242	1
3B	O-ring	25-0230	1	30	Valve Complete (See 70-0191 Inc. 26-29)	N/A Sep.	6	60	Back-up Ring	25-0246	1
3C	Oil Vent Cage	N/A Sep.	1	31	Valve Seat - Plastic	N/A Sep.	6	61	O-ring	25-0231	1
3D	O-ring	N/A Sep.	1	32	Valve Plate - Stainless Steel	N/A Sep.	6	62	Body Bypass Valve	8-0470	1
3E	Oil Vent Spring	N/A Sep.	1	33	Valve Spring - Stainless Steel	N/A Sep.	6	63	Pressure Regulating Spring-2000 PSI	49-0131	1
4	Oil Seal (See 70-0214)	N/A Sep.	1	34	Valve Cage - Plastic	N/A Sep.	6	64	Pressure Regulating Screw	8-0471	1
5	Flange Bushing (See 70-0214)	N/A Sep.	1	35	Washer Shim	46-0745	3	65	Spring Clip	25-0245	1
6	Flange	46-0777	1	36	Pump Head - Brass	46-0658	1	66	Pressure Regulating Knob	7-0133	1
7	Thrust Washer	48-0056	3	37	Screw	27-8892	5	67	Screw	27-8859	1
8	Thrust Needle Roller Bearing	48-0057	2	38	Banjo Fitting - Brass	46-0637	1	68	Screw	27-8860	1
9	Wobble Plate - 10	46-0778	1	39	O-ring (See 70-0102)	N/A Sep.	1	69	Injector Body - Plastic	46-0360	1
10	Wobble Plate Plug	39-0082	1	40	Detergent Injector Body	46-0636	1	70	O-ring	25-0362	1
11	Thrust Washer	48-0064	1	41	O-ring	25-0341	1	71	Injector Nozzle - Brass	46-0356	1
12	O-ring	25-0358	1	42	Detergent Injector Hose Barb	46-0638	1	72	Check Valve Spring	49-0130	1
13	Oil Sight Glass	46-0735	1	43	O-ring (See 70-0102)	N/A Sep.	2	73	Check Valve - Plastic	22-0158	1
14	O-ring	25-0420	1	44	Detergent Injector Ball (See 70-0102)	N/A Sep.	1	74	O-ring	25-0334	1
15	Garden Hose Adapter	23-0305	1	45	Detergent Injector Spring (See 70-0102)	N/A Sep.	1	75	O-ring	25-0357	1
16	Garden Hose Connection	23-0304	1	46	Bolt	27-8893	4	76	Screw	27-8894	1
17	Pump Housing	46-0746	1	47	Pump Manifold - Brass	46-0743	1		Flange Assembly (Includes 4-6)	70-0214	
18	Piston Spring Retainer	46-0663	3	48	Screw	27-8868	1		Packing Kit (Includes 3 ea. 26-28)	70-0195	
19	Piston-Stainless Steel	46-0664	3	49	O-ring	25-0263	5		Valve Kit (Includes 29, 30)	70-0191	
20	Piston Spring	49-0129	3	50	U-Clip	46-0741	1		Unloader Check Valve Kit (Inc. 53, 68-73)	70-0108	
21	Bolt	27-8870	3	51	Valve Seat Plate	46-0686	1		Unloader Seat Kit (Includes 51-54)	70-0192	
22	Gasket	26-0168	1	52	Ball - Stainless Steel	46-0685	1		Unloader Stem Kit (Inc. 39, 49, 55-64, 67)	70-0215	
23	Plug	39-0098	1	53	O-ring	25-0248	2		Injector Repair Kit (Inc. 39, 43-45)	70-0102	
24	Oil Seal	26-0195	3	54	Ball Seat	46-0352	1		Manifold Assy. (Inc. 3B, 38-40, 43-45, 47-75)	70-0216	
25	Packing Retainer - Brass	46-0737	3	55	Back-up Ring	25-0247	1				

**GUN ASSEMBLY (16-0190)**



16-0190-110399-RD



<b>GUN ASSEMBLY (16-0190)</b>			
<b>REF. #</b>	<b>DESCRIPTION</b>	<b>PART #</b>	<b>QTY.</b>
1	Screw	27-8382	7
2	Plastic Housing (Left Side)	16-0336	1
3	Housing-Brass	23-0295	1
4	Pipe	21-0095	1
5	Nipple	23-0173	1
6	Trigger Safety Lock	16-0332	1
7	Trigger Rest	16-0333	1
8	Trigger	16-0335	1
9	Trigger Pin	43-0069	1
10	Plastic Housing (Right Side)	16-0334	1
11	Plug (See 70-0057)	N/A Sep.	1
12	O-ring (See 70-0057)	N/A Sep.	1
13	Spring (See 70-0057)	N/A Sep.	1
14	Ball (See 70-0057)	N/A Sep.	1
15	Seat (See 70-0057)	N/A Sep.	1
16	O-ring (See 70-0057)	N/A Sep.	1
17	Pin (See 70-0057)	N/A Sep.	1
18	Washer (See 70-0057)	N/A Sep.	1
19	O-ring (See 70-0057)	N/A Sep.	1
20	Back-up Ring (See 70-0057)	N/A Sep.	1
	Repair Kit (Includes 11-20)	70-0057	

---

NOTES

---

**NOTES**

