

# Mi-T-M<sup>®</sup> CORPORATION

8650 Enterprise Drive, Peosta IA 52068

563-556-7484 / Fax 563-556-1235

[www.mitm.com](http://www.mitm.com)

## PARTS LIST FOR ***WP-2400-4MHB***

ENGINE OIL GRADE:	SAE10W-30
ENGINE OIL CAPACITY:	20 oz.
PUMP OIL GRADE:	75W90 Synthetic
PUMP OIL CAPACITY:	4.5 oz.
NOZZLE SIZE:	3.0

This Parts Listing has been compiled for your benefit. You can be assured your Mi-T-M Cold Water Pressure Washer was constructed and designed with quality and performance in mind using over 25 years experience in the pressure washer business. Each component has been rigorously tested to insure the highest level of acceptance.

The contents of this Parts Listing are based on the latest product information available at the time of publication. Mi-T-M reserves the right to make changes in price, color, materials, equipment, specifications or models at any time without notice.

### **WARNING**

THIS IS A HIGH PRESSURE, COLD WATER PRESSURE WASHER. CAUTION SHOULD BE OBSERVED WHEN USING OR REPAIRING THIS UNIT! READ AND FOLLOW THE SAFETY WARNINGS LISTED BELOW BEFORE ATTEMPTING ANY REPAIRS ON THIS PRESSURE WASHER!

### **SAFETY WARNINGS**

1. NEVER alter or modify the equipment. Be sure any accessory items and system components being used will withstand the pressure developed. Use only genuine Mi-T-M parts for repair of your pressure washer. Failure to do so can cause hazardous operating conditions and will VOID warranty.
2. NEVER make adjustments on machinery while the unit is connected to the engine without first removing the ignition cable from the spark plug. Turning over the machinery by hand during adjustment or cleaning might start the engine and machinery with it, causing serious injury to the operator.
3. Know how to stop and bleed pressures quickly. Be thoroughly familiar with controls.
4. Before servicing the unit, turn unit off, relieve the water pressure and allow the unit to cool down. Do not make repairs while the unit is running. Service in a clean, dry, flat area. Be especially careful to properly dispose of any flammable materials.
5. After testing the machine, DO NOT leave the pressurized unit unattended. Shut off the unit and release trapped pressure before leaving.

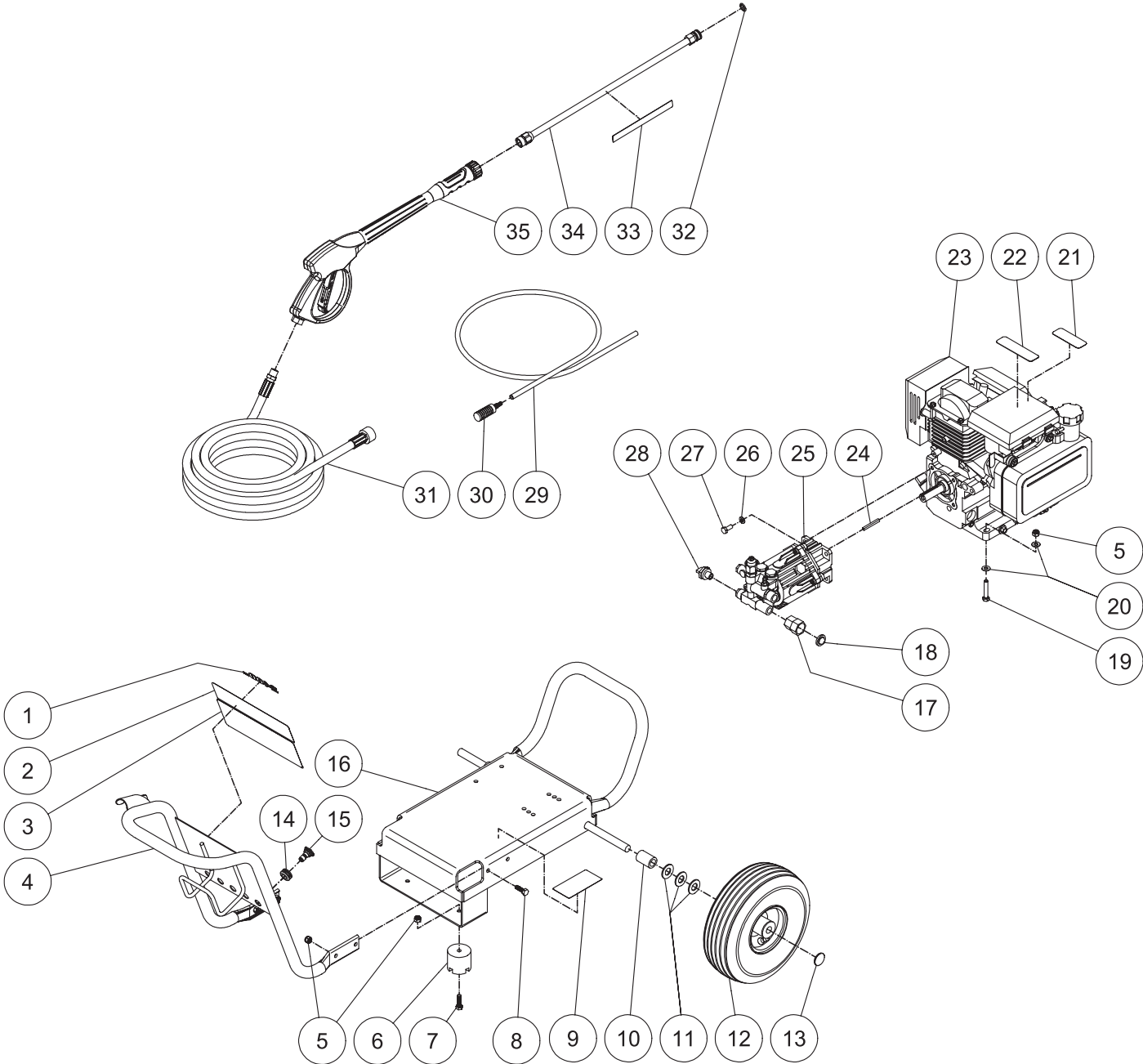
### **Table of Contents**

<b>SPECIFICATIONS</b> .....	<b>3</b>
<b>FRAME ASSEMBLY FOR WP-2400-4MHB</b> .....	<b>4</b>
<b>PUMP ASSEMBLY (3-0260)</b> .....	<b>6</b>
<b>UNLOADER ASSEMBLY (8-0550)</b> .....	<b>8</b>
<b>LANCE ASSEMBLY (16-0366)</b> .....	<b>10</b>
<b>NOTES</b> .....	<b>11</b>

## SPECIFICATIONS

MODEL NUMBER	WP-2400-4MHB
<b>Operating Pressure (PSI/Bar):</b>	2400/166
<b>Water Volume (GPM/lpm):</b>	2.3/8.7
<b>High Pressure Nozzle:</b>	3.0
<b>Engine:</b>	Honda
Horsepower	5.0
Engine Type	4 Stroke, Overhead Cam, Single Cylinder
Oil Type	SAE10W-30
Oil Capacity (oz./liter)	20/6
Fuel Type	Unleaded Gasoline 86 Octane Minimum
Fuel Capacity (gallon/liter)	.5/2
Starting	Recoil
Maximum No Load RPM	3600
<b>Pump:</b>	Direct Driven, Oil Bath, Triplex Piston
Oil Type	75W-90 Synthetic
Oil Capacity (oz./liters)	4.5 / .13
Plungers	Stainless Steel
Manifold	Forged Brass
Valves	Stainless Steel
Unloader	Fixed
Thermal Relief Valve	Relieves heated water during unloader bypass stage
Detergent Injector	Low pressure down stream from pump
<b>Unit Net Weight (Lbs/kg):</b>	75/34
<b>Unit Shipping Weight (Lbs/kg):</b>	87/39.5
<b>Unit Net Dimension (In/cm):</b>	30Lx21Wx26H/76Lx53.5Wx66H
<b>Unit Shipping Dimension (In/cm):</b>	30.5Lx21.5Wx26.5H/77.5Lx54.5Wx67.5H

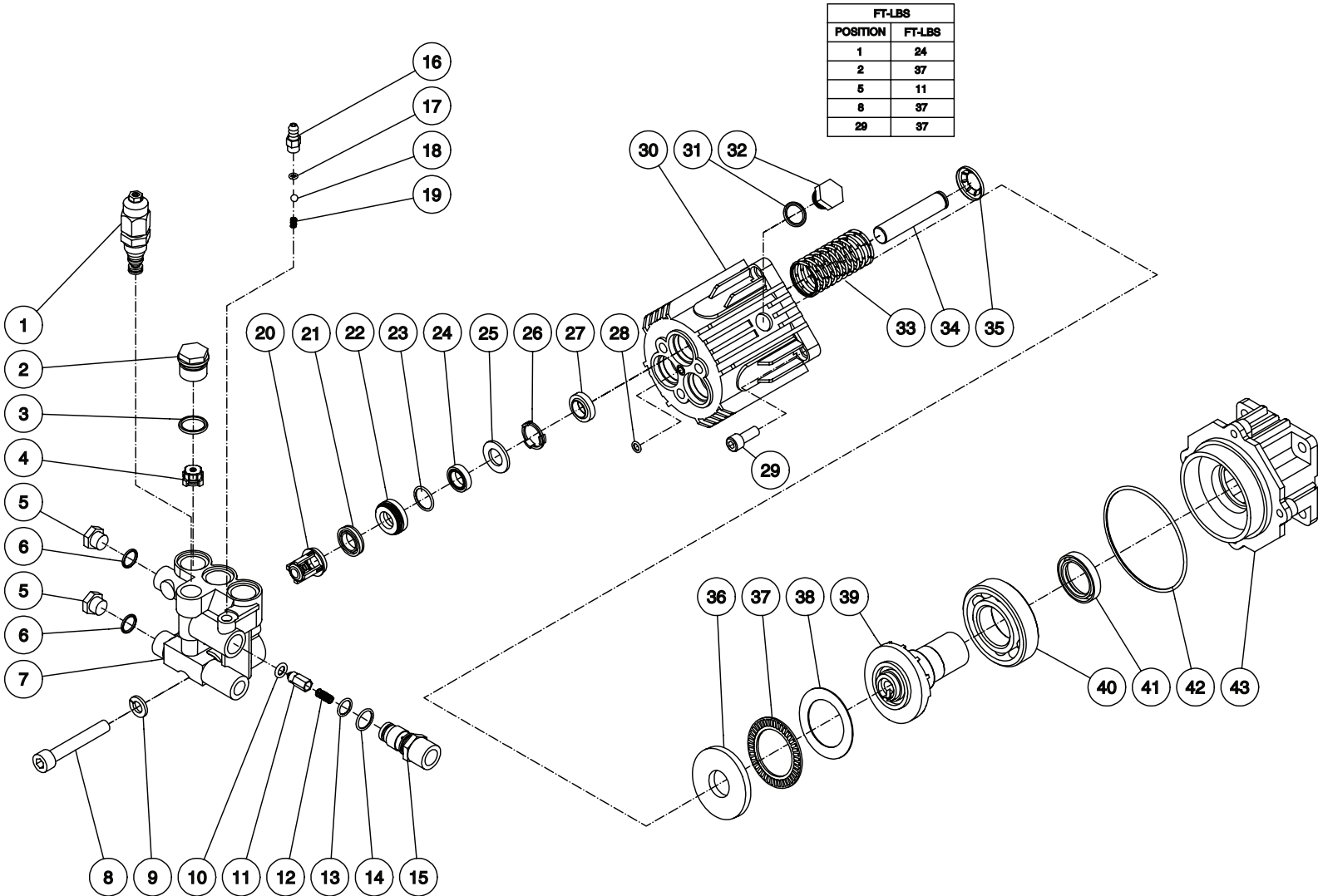
# FRAME ASSEMBLY FOR WP-2400-4MHB



WP-2400-4MHB-071907-RSW

FRAME ASSEMBLY FOR WP-2400-4MHB							
REF. #	DESCRIPTION	PART #	QTY.	REF. #	DESCRIPTION	PART #	QTY.
1	Decal- Die Cut 2000	34-0772	1	18	Filter	19-0001	1
2	Decal- Work Pro Placard	34-0737	1	19	Bolt	27-0070	4
3	Decal- Warning/Caution/Operation (See 34-9014)	N/A Sep.	1	20	Washer	28-0003	8
4	Front Handle Assy	7-0194A01	1	21	Decal- Caution: Risk of Fire(See 34-9014)	N/A Sep.	1
5	Locknut	30-0157	10	22	Decal- Warning: Risk of Burns (See 34-9014)	N/A Sep.	1
6	Isolator	14-0008	2	23	Engine- 5.0 H.P. Honda	1-0104	1
7	Bolt	27-0068	2	24	Key	43-0073	1
8	Bolt	27-0067	4	25	Pump	3-0260	1
9	Decal- Data Plate	N/A	1	26	Lockwasher	29-0007	4
10	Axle Spacer	62-0176	2	27	Bolt	27-0846	4
11	Washer	28-0008	5	28	Thermal Relief Valve	22-0208	1
12	Wheel	14-0017	2	29	Detergent Hose *(Four Feet Required)	15-0021	1
13	Hubcap	33-0018	2	30	Detergent Strainer	19-0050	1
14	Grommet	33-0001	5	31	Pressure Hose	15-0249	1
15	Nozzle- 1503.5	18-0150	1	32	O-ring (Replacement Only)	25-0122	-
-	Nozzle- 2503.5	18-0303	1	33	Decal- Warning: Risk of Injection (See 34-9014)	N/A Sep.	1
-	Nozzle- 6540	18-0148	1	34	Lance Assembly	16-0366	1
16	Small JP Frame	5-0253A01	1	35	Gun/Wand Assembly	16-0441	1
17	Garden Hose Swivel	23-0001	1		Safety Decal Kit (Inc. 3, 9, 22-23, 35)	34-9014	
*Must Order in One Foot Lengths							

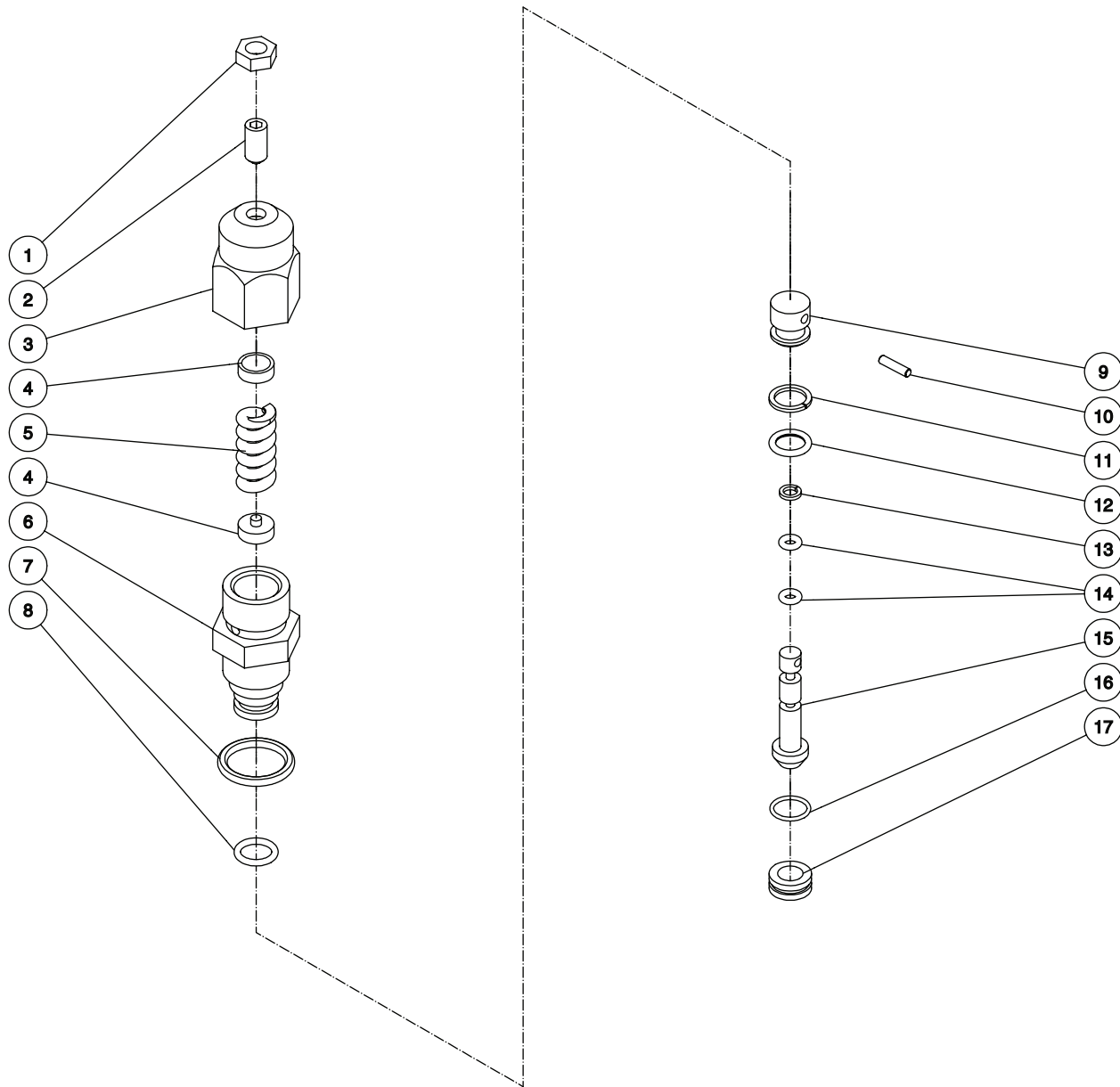
# PUMP ASSEMBLY (3-0260)



3-0260-051404-DLG

PUMP ASSEMBLY (3-0260)								
REF. #	DESCRIPTION	PART #	QTY.		REF. #	DESCRIPTION	PART #	QTY.
1	Unloader Stack Assembly	8-0550	1		24	Low Pressure Seal	46-0727	3
2	Valve Cap	39-0087	3		25	Retainer Ring	46-0872	3
3	O-ring	25-0160	3		26	Spacer	46-0892	3
4	Single Valve Assembly (See 70-0383)	N/A Sep.	3		27	Seal	26-0239	3
5	Plug	39-0096	2		28	O-ring	25-0502	1
6	O-ring	25-0387	2		29	Screw	27-8432	4
7	Manifold	46-1126	1		30	Case	*CF	1
8	Bolt	27-8960	3		31	O-ring	25-0386	1
9	Lockwasher	29-0055	3		32	Plug	39-0203	1
10	O-ring	25-0406	1		33	Spring	49-0142	3
11	Check Valve	8-0518	1		34	Piston	46-0897	3
12	Spring	49-0124	1		35	Spring Retainer	46-0875	3
13	O-ring	25-0407	1		36	Washer	46-0876	1
14	O-ring	25-0159	1		37	Bearing	48-0057	1
15	Detergent Injector	46-1127	1		38	Washer	48-0056	1
16	Hose Barb	46-0869	1		39	Shaft	46-1106	1
17	O-ring	25-0371	1		40	Bearing	48-0083	1
18	Ball (See 70-0293)	N/A Sep.	1		41	Oil Seal	26-0279	1
19	Spring (See 70-0293)	N/A Sep.	1		42	O-ring	25-0503	1
20	Single Valve Assembly (See 70-0383)	N/A Sep.	3		43	Flange	38-0064	1
21	High Pressure Seal (See 70-0384)	N/A Sep.	3			Valve Kit (Inc. 3 each 4, 20)	70-0383	
22	Packing Retainer	46-1128	3			High Pressure Seals Kit (Inc. 3 each 21, 23-26)	70-0384	
23	O-ring	25-0501	3			Injector Repair Kit (Inc. 17-19)	70-0293	
*Consult Factory								

# UNLOADER ASSEMBLY (8-0550)

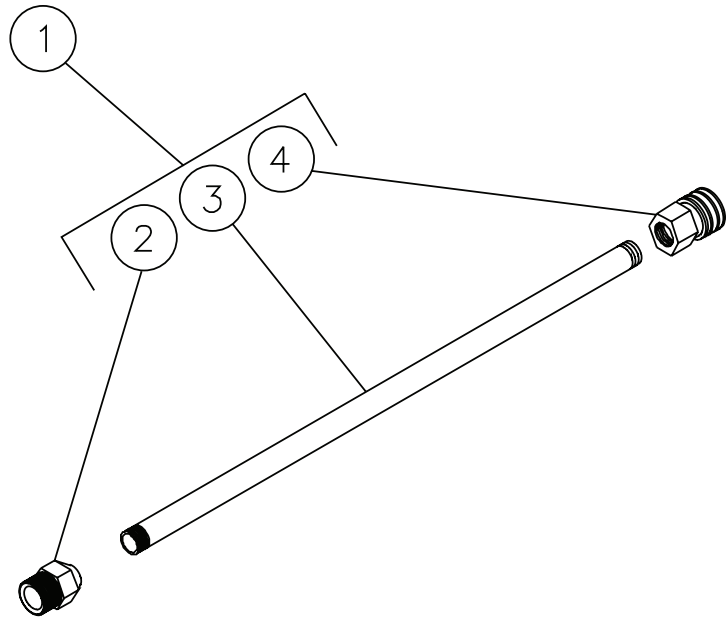


8-0550-051804-DLG



<b>UNLOADER ASSEMBLY (8-0550)</b>			
<b>REF. #</b>	<b>DESCRIPTION</b>	<b>PART #</b>	<b>QTY.</b>
1	Nut	30-6024	1
2	Set Screw	27-8000	1
3	Adjustment Barrel	8-0551	1
4	Spring Button	8-0501	2
5	Unloader Spring	49-0154	1
6	Piston Guide	8-0552	1
7	O-ring	25-0386	1
8	O-ring	25-0403	1
9	Poppet	8-0415	1
10	Unloader Pin	8-0477	1
11	Back-up Ring	25-0404	1
12	O-ring	25-0319	1
13	Back-up Ring	25-0408	1
14	O-ring	25-0253	2
15	Piston	8-0413	1
16	O-ring	25-0500	1
17	Valve Seat	8-0503	1
	Unloader Kit (Inc. 1-17)	8-0550	1

## LANCE ASSEMBLY (16-0366)



16-0366-102700-RD

LANCE ASSEMBLY (16-0366)			
REF. #	DESCRIPTION	PART #	QTY.
1	Complete Lance (Inc. 2-4)	16-0366	1
2	Coupling	16-0378	1
3	Pipe	16-0379	1
4	Quick Connect	17-0001	1

16-0366-102700-RD

---

NOTES

