

Operator's Manual



3800 PSI

4.0 GPM

PRESSURE WASHER

Model No. 580.752300



**PRESSURE WASHER
CUSTOMER HELPLINE
1-800-222-3136**

HOURS: Mon. - Fri. 8 a.m. to 5 p.m. (CT)

 **WARNING**
Before using this product, read this manual and follow all Safety Rules and Operating Instructions.

 **ADVERTENCIA**
Antes de utilizar el producto, lea este manual y siga todas las Reglas de Seguridad e Instrucciones de Uso.

- Safety
- Assembly
- Operation
- Maintenance
- Parts
- Español, p. 34

Sears, Roebuck and Co., Hoffman Estates, IL 60179 U.S.A.
Visit our Craftsman website: www.craftsman.com

Part No. 205732GS Draft A (01/10/2008)



TABLE OF CONTENTS

WARRANTY	2	STORAGE	21-22
SAFETY RULES	2-4	TROUBLESHOOTING	23
FEATURES AND CONTROLS	5	REPLACEMENT PARTS	24-31
ASSEMBLY	6-8	EMISSION CONTROL WARRANTY	32-33
OPERATION	9-13	ESPAÑOL	34-59
SPECIFICATIONS	14	HOW TO ORDER PARTS	BACK PAGE
MAINTENANCE	14-20		

WARRANTY

TWO-YEAR FULL WARRANTY ON CRAFTSMAN PRESSURE WASHER

If this pressure washer fails due to a defect in material or workmanship within two years from the date of purchase, return it to any Sears store, other Craftsman outlet, or Sears Parts & Repair Center in the United States or Canada for free repair (or replacement if repair proves impossible).

All warranty coverage applies for only 90 days from date of purchase if this pressure washer is ever used for commercial or rental purposes.

This warranty gives you specific legal rights, and you may also have other rights which vary from state to state.

Sears, Roebuck and Co., Hoffman Estates, IL 60179
Sears Canada Inc., Toronto, Ontario, Canada M5B 2B8

SAFETY RULES



This is the safety alert symbol. It is used to alert you to potential personal injury hazards. Obey all safety messages that follow this symbol to avoid possible injury or death.



Read this manual carefully and become familiar with your pressure washer. Know its applications, its limitations, and any hazards involved.

The safety alert symbol (▲) is used with a signal word (DANGER, CAUTION, WARNING), a pictorial and/or a safety message to alert you to hazards. **DANGER** indicates a hazard which, if not avoided, *will* result in death or serious injury. **WARNING** indicates a hazard which, if not avoided, *could* result in death or serious injury. **CAUTION** indicates a hazard which, if not avoided, *might* result in minor or moderate injury. **NOTICE** indicates a situation that could result in equipment damage. Follow safety messages to avoid or reduce the risk of injury or death.

Hazard Symbols and Meanings

 Toxic Fumes	 Kickback	 Electrical Shock
 Slippery Surface	 Fall	 Fluid Injection
 Fire	 Explosion	 Operator's Manual
 Moving Parts	 Flying Objects	 Hot Surface

⚠ WARNING

The engine exhaust from this product contains chemicals known to the State of California to cause cancer, birth defects, or other reproductive harm.

⚠ WARNING



Running engine gives off carbon monoxide, an odorless, colorless, poison gas. Breathing carbon monoxide can cause headache, fatigue, dizziness, vomiting, confusion, seizures, nausea, fainting or death. Some chemicals or detergents may be harmful if inhaled or ingested, causing severe nausea, fainting, or poisoning.

- Operate pressure washer ONLY outdoors.
- Keep exhaust gas from entering a confined area through windows, doors, ventilation intakes, or other openings.
- DO NOT start or run engine indoors or in an enclosed area, even if windows and doors are open.
- Use a respirator or mask whenever there is a chance that vapors may be inhaled.
- Read all instructions with mask so you are certain the mask will provide the necessary protection against inhaling harmful vapors.

⚠ WARNING



Risk of electrocution. Contact with power source can cause electric shock or burn.

- NEVER spray near power source.

⚠ WARNING



Contact with muffler area can result in serious burns.



Exhaust heat/gases can ignite combustibles, structures or damage fuel tank causing a fire.

- DO NOT touch hot parts and AVOID hot exhaust gases.
- Allow equipment to cool before touching.
- Keep at least 5 feet (152 cm) of clearance on all sides of pressure washer including overhead.
- Code of Federal Regulation (CFR) Title 36 Parks, Forests, and Public Property require equipment powered by an internal combustion engine to have a spark arrester, maintained in effective working order, complying to USDA Forest service standard 5100-1C or later revision. In the State of California a spark arrester is required under section 4442 of the California Public resources code. Other states may have similar laws.

⚠ WARNING



Fuel and its vapors are extremely flammable and explosive.



Fire or explosion can cause severe burns or death.

WHEN ADDING OR DRAINING FUEL

- Turn pressure washer OFF and let it cool at least 2 minutes before removing fuel cap. Loosen cap slowly to relieve pressure in tank.
- Fill or drain fuel tank outdoors.
- DO NOT overfill tank. Allow space for fuel expansion.
- If fuel spills, wait until it evaporates before starting engine.
- Keep fuel away from sparks, open flames, pilot lights, heat, and other ignition sources.
- DO NOT light a cigarette or smoke.

WHEN STARTING EQUIPMENT

- Ensure spark plug, muffler, fuel cap, and air cleaner are in place.
- DO NOT crank engine with spark plug removed.

WHEN OPERATING EQUIPMENT

- DO NOT tip engine or equipment at angle which causes fuel to spill.
- DO NOT spray flammable liquids.

WHEN TRANSPORTING OR REPAIRING EQUIPMENT

- Transport/repair with fuel tank EMPTY or with fuel shutoff valve OFF.
- Disconnect spark plug wire.

WHEN STORING FUEL OR EQUIPMENT WITH FUEL IN TANK

- Store away from furnaces, stoves, water heaters, clothes dryers, or other appliances that have pilot light or other ignition source because they can ignite fuel vapors.



⚠ WARNING






Starter cord kickback (rapid retraction) can result in bodily injury. Kickback will pull hand and arm toward engine faster than you can let go.


Broken bones, fractures, bruises, or sprains could result.



- NEVER pull starter cord without first relieving spray gun pressure.
- When starting engine, pull cord slowly until resistance is felt and then pull rapidly to avoid kickback.
- After each starting attempt, where engine fails to run, always point spray gun in safe direction, press red button and squeeze spray gun trigger to release high pressure.
- Firmly grasp spray gun with both hands when using high pressure spray to avoid injury when spray gun kicks back.

 WARNING	
	<p>The high pressure stream of water that this equipment produces can cut through skin and its underlying tissues, leading to serious injury and possible amputation.</p> <p>Spray gun traps high water pressure, even when engine is stopped and water is disconnected, which can cause injury.</p>
<ul style="list-style-type: none"> • DO NOT allow CHILDREN to operate pressure washer. • NEVER repair high pressure hose. Replace it. • NEVER repair leaking connections with sealant of any kind. Replace o-ring or seal. • NEVER connect high pressure hose to nozzle extension. • Keep high pressure hose connected to pump and spray gun while system is pressurized. • ALWAYS point spray gun in safe direction, press red button and squeeze spray gun trigger to release high pressure, every time you stop engine. • NEVER aim spray gun at people, animals, or plants. • DO NOT secure spray gun in open position. • DO NOT leave spray gun unattended while machine is running. • NEVER use a spray gun which does not have a trigger lock or trigger guard in place and in working order. • Always be certain spray gun, spray tips and accessories are correctly attached. 	

 WARNING	
	<p>Use of pressure washer can create puddles and slippery surfaces.</p> <p>Kickback from spray gun can cause you to fall.</p>
<ul style="list-style-type: none"> • Operate pressure washer from a stable surface. • The cleaning area should have adequate slopes and drainage to reduce the possibility of a fall due to slippery surfaces. • Be extremely careful if you must use the pressure washer from a ladder, scaffolding, or any other similar location. • Firmly grasp spray gun with both hands when using high pressure spray to avoid injury when spray gun kicks back. 	

 WARNING	
	<p>Unintentional sparking can result in fire or electric shock.</p>
<p>WHEN ADJUSTING OR MAKING REPAIRS TO YOUR PRESSURE WASHER</p> <ul style="list-style-type: none"> • Disconnect the spark plug wire from the spark plug and place the wire where it cannot contact spark plug. <p>WHEN TESTING FOR ENGINE SPARK</p> <ul style="list-style-type: none"> • Use approved spark plug tester. • DO NOT check for spark with spark plug removed. 	

 WARNING	
	<p>Starter and other rotating parts can entangle hands, hair, clothing, or accessories.</p>
<ul style="list-style-type: none"> • NEVER operate pressure washer without protective housing or covers. • DO NOT wear loose clothing, jewelry or anything that may be caught in the starter or other rotating parts. • Tie up long hair and remove jewelry. 	

 WARNING	
	<p>Risk of eye injury.</p> <p>Spray can splash back or propel objects.</p>
<ul style="list-style-type: none"> • Always wear safety goggles when using this equipment or in vicinity of where equipment is in use. • Before starting the pressure washer, be sure you are wearing adequate safety goggles. • NEVER substitute safety glasses for safety goggles. 	

NOTICE	
<p>High pressure spray may damage fragile items including glass.</p>	
<ul style="list-style-type: none"> • DO NOT point spray gun at glass when using red (0°) spray tip. • NEVER aim spray gun at plants. 	

NOTICE	
<p>Improper treatment of pressure washer can damage it and shorten its life.</p>	
<ul style="list-style-type: none"> • If you have questions about intended use, ask dealer or contact Sears. • NEVER operate units with broken or missing parts, or without protective housing or covers. • DO NOT by-pass any safety device on this machine. • DO NOT tamper with governed speed. • DO NOT operate pressure washer above rated pressure. • DO NOT modify pressure washer in any way. • Before starting pressure washer in cold weather, check all parts of the equipment to be sure ice has not formed there. • NEVER move machine by pulling on hoses. Use handle provided on unit. • Check fuel system for leaks or signs of deterioration, such as chafed or spongy hose, loose or missing clamps, or damaged tank or cap. Correct all defects before operating pressure washer. • This equipment is designed to be used with Sears authorized parts ONLY. If equipment is used with parts that DO NOT comply with minimum specifications, user assumes all risks and liabilities. 	

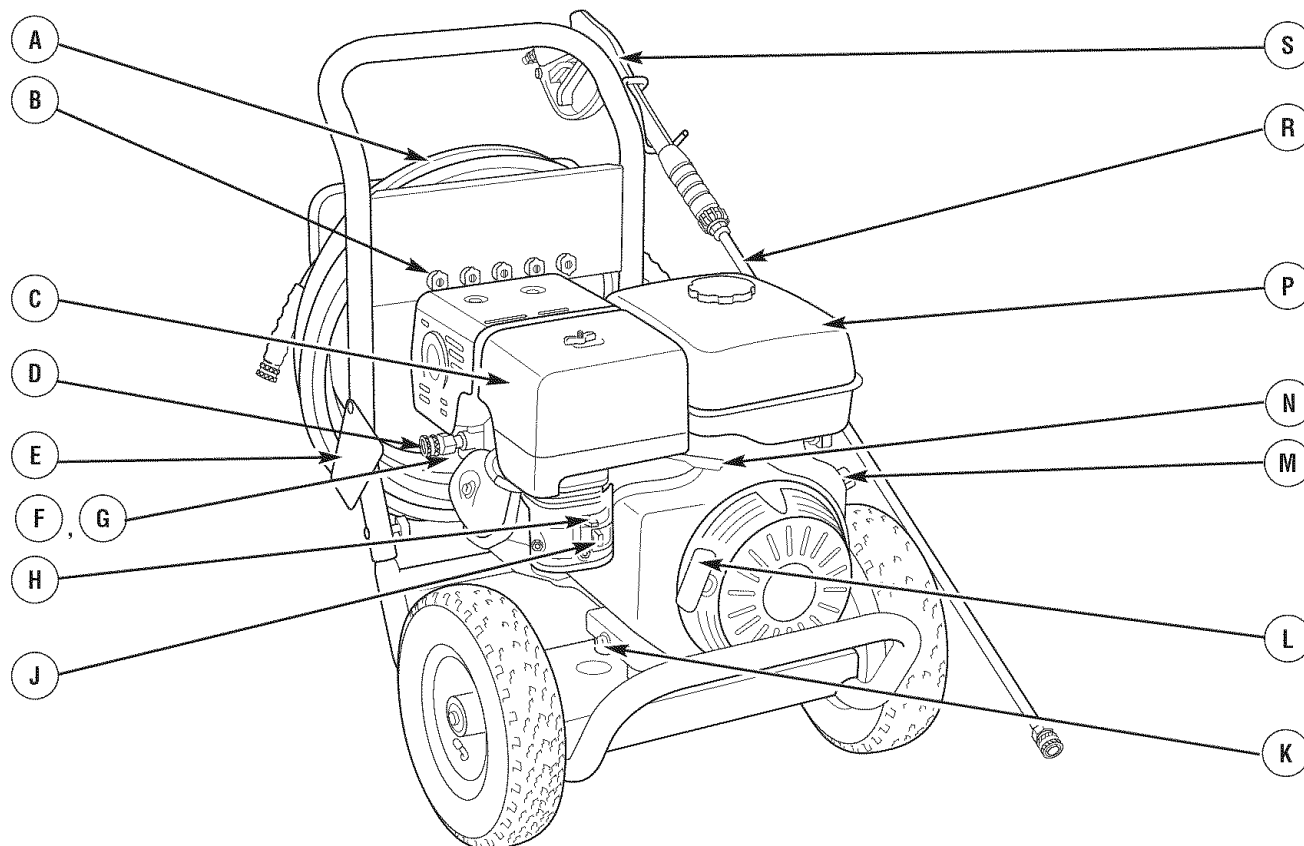
FEATURES AND CONTROLS

KNOW YOUR PRESSURE WASHER



Read the Operator's Manual and safety rules before operating your pressure washer.

Compare the illustrations with your pressure washer to familiarize yourself with the locations of various controls and adjustments. Save this manual for future reference.



A - High Pressure Hose — Connect one end to water pump and the other end to spray gun.

B - Spray Tips — Detergent, 0°, 15°, 25° and 40°: for various high pressure cleaning applications.

C - Air Filter — Protects engine by filtering dust and debris out of intake air.

D - High Pressure Outlet — Connection for high pressure hose.

E - Warning/Operating Instructions Tag — Identifies hazards and proper procedure to start/stop pressure washer.

F - Pump — Develops high pressure.

G - Automatic Cool Down System — Cycles water through pump when water reaches 125°-155°F. Warm water will discharge from pump onto ground. This system prevents internal pump damage.

H - Choke Lever — Prepares a cold engine for starting.

J - Fuel Valve — Used to turn fuel supply on and off to engine.

K - Oil Drain Plug — Drain engine oil here.

L - Recoil Starter — Used for starting the engine manually.

M - Engine Switch — Set switch to "On" for recoil starting. Set switch to "Off" to stop a running engine.

N - Throttle Lever — Sets engine in starting mode for recoil start.

P - Fuel Tank — Fill tank with regular unleaded fuel. Always leave room for fuel expansion.

R - Nozzle Extension with Quick Connect — Allows you to switch between five different spray tips.

S - Spray Gun with Quick Connect — Controls the application of water onto cleaning surface with trigger device. Includes automatic trigger lock.

Items Not Shown:

Data Tag (near rear of base plate) — Provides model and serial number of pressure washer. Please have these numbers readily available if calling for assistance.

Detergent Siphoning Tube/Filter — Use to siphon pressure washer safe detergent into the low pressure stream.

Oil Fill/Dipstick — Check and add engine oil here.

Pressure Control Knob — Varies pressure of high pressure spray.

Safety Goggles — Always use the supplied safety goggles when running your pressure washer.

Water Inlet — Connection for garden hose.

ASSEMBLY

Your pressure washer requires some assembly and is ready for use only after it has been properly serviced with the recommended oil and fuel.

If you have any problems with the assembly of your pressure washer, please call the pressure washer helpline at 1-800-222-3136.

IMPORTANT: Any attempt to run the engine before it has been serviced with the recommended oil will result in an engine failure.

Unpack the Pressure Washer

1. Remove everything from carton except pressure washer.
2. Open carton completely by cutting each corner from top to bottom.
3. Remove pressure washer from carton.

Carton Contents

Check all contents. If any parts are missing or damaged, call the pressure washer helpline at **1-800-222-3136**.

- The main unit
- Handle
- Spray gun
- High pressure hose
- Nozzle extension with quick connect fitting
- Engine oil
- Parts bag (which includes items listed below)
 - Owner's manual
 - Registration card
 - Bag containing 5 multi-colored quick connect spray tips
 - Handle Fastening Hardware Kit (which includes):
 - Carriage Bolt (2)
 - Plastic Knobs (2)

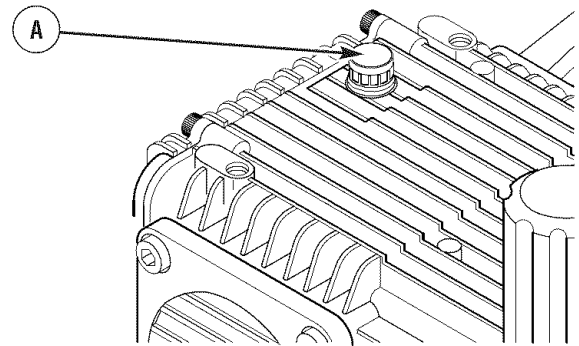
Become familiar with each piece before assembling the pressure washer. Check all contents against the illustration on page 5. If any parts are missing or damaged, call the pressure washer helpline at **1-800-222-3136**.

Assembling Your Pressure Washer

Your Craftsman pressure washer will need assembly before operation:

1. Fill out and send in registration card.
2. Attach handle.
3. Add oil to engine crankcase.
4. Add fuel to fuel tank.

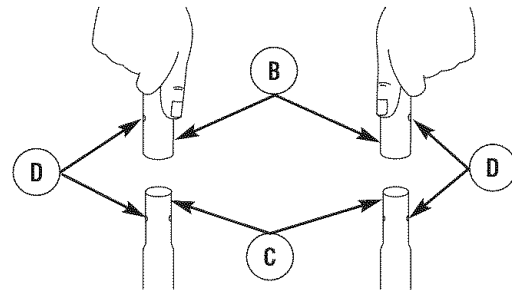
5. Verify pump oil dipstick (A) has been installed into pump.



6. Connect pressure hose to spray gun and pump.
7. Connect water supply to pump.
8. Attach nozzle extension to spray gun.
9. Select/attach quick connect spray tip to nozzle extension.

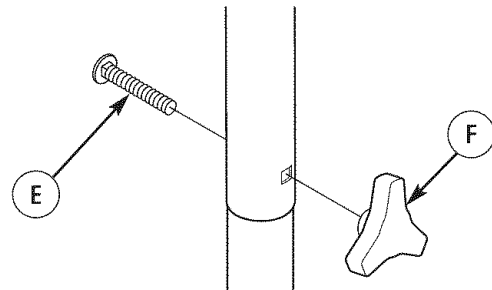
Attach Handle

1. Place handle (B) onto handle supports (C) connected to main unit. Make sure holes (D) in handle align with holes (D) on handle supports.



NOTE: It may be necessary to move the handle supports from side to side in order to align the handle so it will slide over the handle supports.

2. Insert carriage bolts (E) through holes from outside of unit and attach a plastic knob (F) from inside of unit. Tighten by hand.



3. Insert multi-colored spray tips in spaces provided in handle.

Add Engine Oil

1. Place pressure washer on a flat, level surface.
2. Clean area around oil fill and remove oil fill cap/dipstick.

NOTE: See *Oil Recommendations* in *Maintenance* section. Verify provided oil bottle is the correct viscosity for current ambient temperature.

3. Using oil funnel (optional), slowly pour contents of both provided oil bottles into oil fill opening to the point of overflowing.

NOTICE

Improper treatment of pressure washer can damage it and shorten its life.

- DO NOT attempt to crank or start the engine before it has been properly serviced with the recommended oil. This may result in an engine failure.

4. Replace oil fill cap/dipstick and fully tighten.

Add Fuel

WARNING



Fuel and its vapors are extremely flammable and explosive.

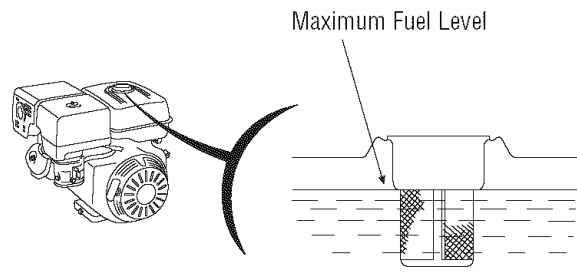


Fire or explosion can cause severe burns or death.

WHEN ADDING FUEL

- Turn pressure washer OFF and let it cool at least 2 minutes before removing fuel cap. Loosen cap slowly to relieve pressure in tank.
- Fill fuel tank outdoors.
- DO NOT overfill tank. Allow space for fuel expansion.
- If fuel spills, wait until it evaporates before starting engine.
- Keep fuel away from sparks, open flames, pilot lights, heat, and other ignition sources.
- DO NOT light a cigarette or smoke.

1. Use clean, fresh, regular UNLEADED fuel with a minimum of 86 octane with equipment. DO NOT mix oil with fuel.
2. Place pressure washer on a level surface. Clean area around fuel fill cap, remove cap.
3. Slowly add regular unleaded fuel to fuel tank. Be careful not to overfill. Allow about 1" of tank space for fuel expansion, as shown here.



4. Install fuel cap and wait for any spilled fuel to evaporate.

CAUTION! Alcohol-blended fuels (called gasohol, ethanol or methanol) can attract moisture, which leads to separation and formation of acids during storage. Acidic gas can damage the fuel system of an engine while in storage.

To avoid engine problems, the fuel system should be treated with a fuel preserver or emptied before storage of 30 days or longer. If adding a fuel preserver, fill the fuel tank with fresh fuel. If only partially filled, air in the tank will promote fuel deterioration during storage. If fuel preserver is not used, drain the fuel tank, start the engine and let it run until the fuel lines and carburetor are empty. Use fresh fuel next season. See *Storage* for additional information.

NEVER use engine or carburetor cleaner products in the fuel tank as permanent damage may occur.

Connect Hose and Water Supply to Pump

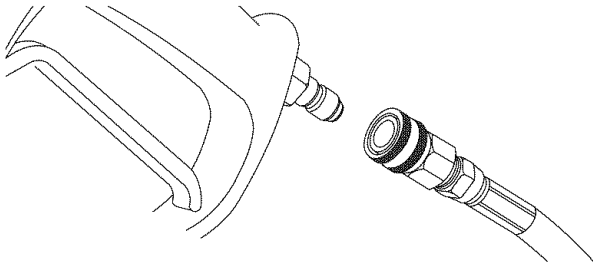
NOTE: Remove and discard the shipping caps from the pump's high pressure outlet and water inlet before attaching hoses.

NOTICE

DO NOT run the pump without the water supply connected and turned on.

- Damage to equipment resulting from failure to follow this instruction will void warranty.

1. Uncoil high pressure hose and attach quick connect end of hose to base of spray gun. Pull down on collar of quick connect, slide onto spray gun and let go of collar. Tug on hose to be sure of tight connection.



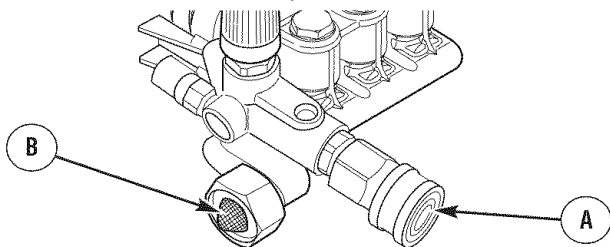
WARNING



The high pressure stream of water that this equipment produces can cut through skin and its underlying tissues, leading to serious injury and possible amputation.

- NEVER connect high pressure hose to spray tip extension.
- Keep high pressure hose connected to pump and spray gun while system is pressurized.
- Always be certain spray gun, spray tips and accessories are correctly attached.

2. Similarly, attach other end of high pressure hose to high pressure outlet (A) on pump. Pull down on collar of quick connect, slide onto pump and let go of collar. Pull on hose to be sure of tight connection.



3. Before connecting garden hose to water inlet, inspect inlet screen (B). Clean screen if it contains debris or have it replaced if damaged. **DO NOT run pressure washer if inlet screen is damaged or missing.**

4. Run water through garden hose for 30 seconds to clean out any debris. Turn off water.

IMPORTANT: DO NOT siphon standing water for the water supply. Use ONLY cold water (less than 100°F).

NOTICE

Using a One Way Valve (vacuum breaker or check valve) at pump inlet can cause pump or inlet connector damage.

- There MUST be at least ten feet of unrestricted garden hose between the pressure washer inlet and any device, such as a vacuum breaker or check valve.
- Damage to equipment resulting from failure to follow this instruction will void warranty.

5. Connect garden hose (not to exceed 50 feet in length) to water inlet. Tighten by hand.

WARNING

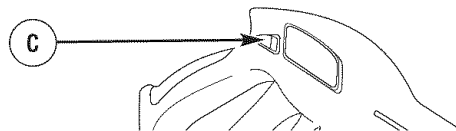


Risk of eye injury.

Spray can splash back or propel objects.

- Always wear safety goggles when using this equipment or in vicinity of where equipment is in use.
- Before starting the pressure washer, be sure you are wearing adequate safety goggles.
- NEVER substitute safety glasses for safety goggles.

6. Turn ON the water, press red button (C) on the gun and squeeze the trigger to purge the pump system of air and impurities.



Checklist Before Starting Engine

Review the assembled unit to ensure you have performed all of the following:

1. Be sure to read *Safety Rules* and *How To Use Pressure Washer* before using pressure washer.
2. Make sure handle is in place and secure.
3. Make sure shipping cap was removed and oil dipstick was installed in pump.
4. Check that oil has been added to proper level in engine crankcase.
5. Add proper fuel to fuel tank.
6. Check for properly attached hose connections.
7. Check to make sure there are no kinks, cuts, or damage to high pressure hose.
8. Provide a proper water supply at an adequate flow.



OPERATION

HOW TO USE YOUR PRESSURE WASHER



If you have any problems operating your pressure washer, please call the pressure washer helpline at **1-800-222-3136**.

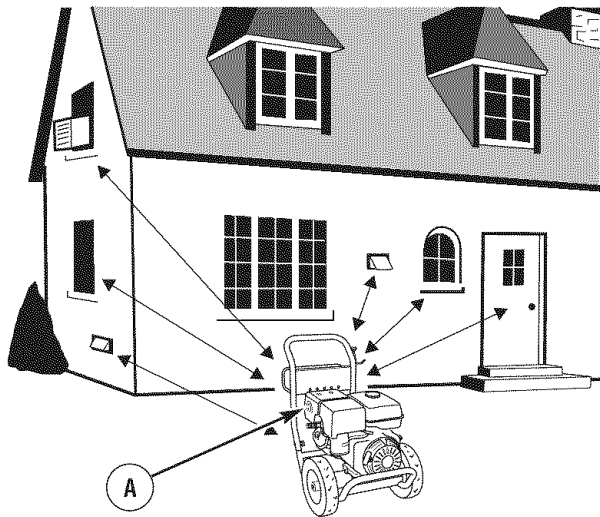
Pressure Washer Location

Pressure Washer Clearance

 WARNING	
	Exhaust heat/gases can ignite combustibles, structures or damage fuel tank causing a fire.
<ul style="list-style-type: none">• Keep at least 5 ft. (152 cm) clearance on all sides of pressure washer including overhead.	

Place pressure washer outdoors in an area that will not accumulate deadly exhaust gas. DO NOT place pressure washer where exhaust gas (A) could accumulate and enter inside or be drawn into a potentially occupied building. Ensure exhaust gas is kept away from any windows, doors, ventilation intakes, or other openings that can allow exhaust gas to collect in a confined area. Prevailing winds and air currents should be taken into consideration when positioning pressure washer.

 WARNING	
	Running engine gives off carbon monoxide, an odorless, colorless, poison gas. Breathing carbon monoxide can cause headache, fatigue, dizziness, vomiting, confusion, seizures, nausea, fainting or death.
<ul style="list-style-type: none">• Operate pressure washer ONLY outdoors.• Keep exhaust gas from entering a confined area through windows, doors, ventilation intakes, or other openings.• DO NOT start or run engine indoors or in an enclosed area, even if windows and doors are open.	



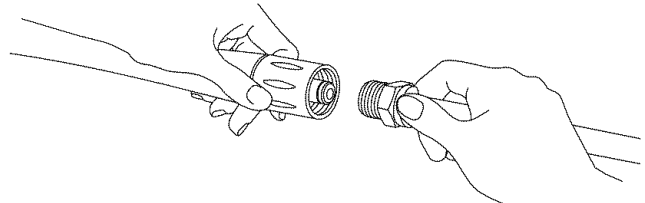
To Start Your Pressure Washer

To start your engine-powered pressure washer for the first time, follow these instructions step-by-step. This starting information also applies whenever you start the engine after you have let the pressure washer sit idle for at least a day.

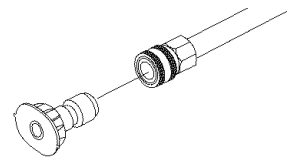
1. Place pressure washer near an outside water source capable of supplying water at a flow rate greater than 5.0 gallons per minute and no less than 20 PSI at pressure washer end of garden hose.
2. Check that high pressure hose is tightly connected to spray gun and pump. See *Assembly* for illustrations.
3. Make sure unit is in a level position.
4. Connect garden hose to water inlet on pressure washer pump.

NOTICE	
DO NOT run the pump without the water supply connected and turned on.	
<ul style="list-style-type: none">• Damage to equipment resulting from failure to follow this instruction will void warranty.	

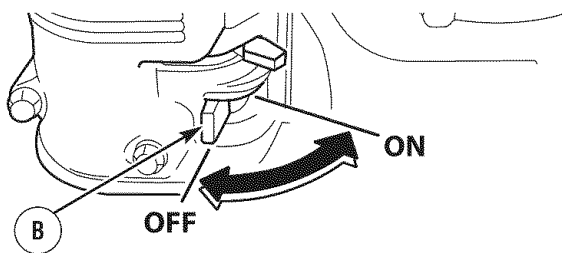
5. Turn ON the water, press red button on the gun and squeeze the trigger to purge the pump system of air and impurities.
6. Attach nozzle extension to spray gun. Tighten by hand.



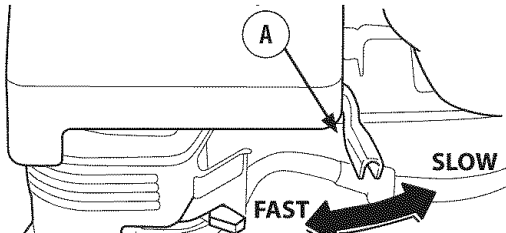
7. Choose spray tip you want to use, pull back on collar of nozzle extension, insert spray tip and release collar. Tug on spray tip to make sure it is securely in place. See *How to Use Spray Tips*.



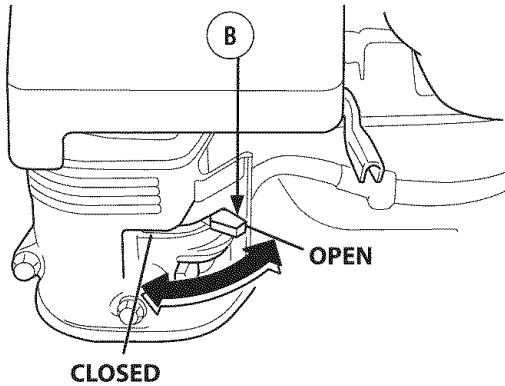
8. Move fuel valve lever (B) to "On" position.



9. Move throttle lever (A) to “Fast” position, shown as a rabbit.

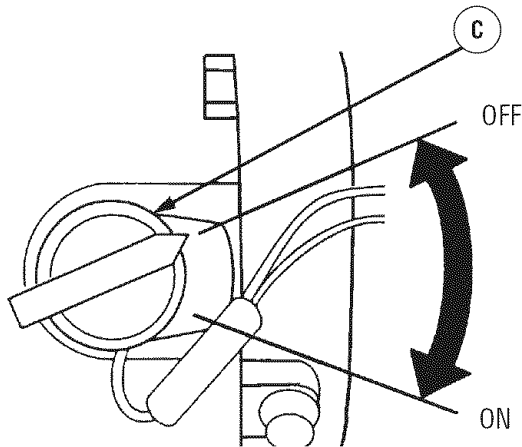


10. Move choke lever (B) to “Closed” position.



NOTE: For a warm engine, be sure the choke lever is in the “Open” position.

11. Move engine switch (C) to “On” position.



IMPORTANT: Before starting the pressure washer, be sure you are wearing adequate safety goggles.

⚠ WARNING	
	Risk of eye injury. Spray can splash back or propel objects.
<ul style="list-style-type: none"> • Always wear safety goggles when using this equipment or in vicinity of where equipment is in use. • Before starting the pressure washer, be sure you are wearing adequate safety goggles. • NEVER substitute safety glasses for safety goggles. 	



12. When starting engine, position yourself as recommended and grasp starter grip handle and pull slowly until you feel some resistance. Then pull rapidly to start engine.






⚠ WARNING	
	Starter cord kickback (rapid retraction) can result in bodily injury. Kickback will pull hand and arm toward engine faster than you can let go. Broken bones, fractures, bruises, or sprains could result.
<ul style="list-style-type: none"> • NEVER pull starter cord without first relieving spray gun pressure. • When starting engine, pull cord slowly until resistance is felt and then pull rapidly to avoid kickback. • After each starting attempt, where engine fails to run, always point spray gun in safe direction, press red button and squeeze spray gun trigger to release high pressure. • Firmly grasp spray gun with both hands when using high pressure spray to avoid injury when spray gun kicks back. 	

13. Return recoil starter slowly. DO NOT let rope “snap back” against starter.
14. When engine starts, slowly move choke lever to “Open” position as engine warms. If engine falters, move choke lever to “Closed” position, then to “Open” position.
15. If engine fires, but does not continue to run, always point gun in safe direction, press red button and squeeze spray gun trigger to release high pressure. Move choke lever to “Open” position, and repeat steps 12 through 14.
16. If engine fails to start after six pulls, move choke lever to “Open” position, and repeat steps 12 through 14.



NOTE: Always keep the throttle lever in the “Fast” position when operating the pressure washer.

 WARNING	
	<p>The high pressure stream of water that this equipment produces can cut through skin and its underlying tissues, leading to serious injury and possible amputation.</p> <p>Spray gun traps high water pressure, even when engine is stopped and water is disconnected, which can cause injury.</p>
<ul style="list-style-type: none"> • DO NOT allow CHILDREN to operate pressure washer. • Keep high pressure hose connected to pump and spray gun while system is pressurized. • NEVER aim spray gun at people, animals, or plants. • DO NOT secure spray gun in open position. • DO NOT leave spray gun unattended while machine is running. • NEVER use a spray gun which does not have a trigger lock or trigger guard in place and in working order. • Always be certain spray gun, nozzles and accessories are correctly attached. 	

 WARNING	
 	<p>Contact with muffler area can result in serious burns.</p> <p>Exhaust heat/gases can ignite combustibles, structures or damage fuel tank causing a fire.</p>
<ul style="list-style-type: none"> • DO NOT touch hot parts and AVOID hot exhaust gases. • Allow equipment to cool before touching. • Keep at least 5 feet (152 cm) of clearance on all sides of pressure washer including overhead. • Code of Federal Regulation (CFR) Title 36 Parks, Forests, and Public Property require equipment powered by an internal combustion engine to have a spark arrester, maintained in effective working order, complying to USDA Forest service standard 5100-1C or later revision. In the State of California a spark arrester is required under section 4442 of the California Public resources code. Other states may have similar laws. 	



How to Stop Your Pressure Washer

1. Release spray gun trigger and let engine idle for two minutes.
2. Move throttle lever to “**Slow**” position, shown as a turtle.

 WARNING	
	Backfire, fire or engine damage could occur.
<ul style="list-style-type: none"> • DO NOT stop engine by moving choke lever to “Closed” position. 	

3. Move engine switch to “**Off**” position.
4. Move fuel valve lever to “**Off**” position.
5. ALWAYS point spray gun in a safe direction, push red button and squeeze spray gun trigger to release retained high water pressure.

IMPORTANT: Spray gun traps high water pressure, even when engine is stopped and water is disconnected.



 WARNING	
	<p>The high pressure stream of water that this equipment produces can cut through skin and its underlying tissues, leading to serious injury and possible amputation.</p> <p>Spray gun traps high water pressure, even when engine is stopped and water is disconnected, which can cause injury.</p>
<ul style="list-style-type: none"> • Keep high pressure hose connected to pump and spray gun while system is pressurized. • ALWAYS point spray gun in safe direction, press red button and squeeze spray gun trigger, to release high pressure, every time you stop engine. 	

How to Use Spray Tips

The quick-connect on the nozzle extension allows you to switch between four different quick connect spray tips. Spray tips can be changed while pressure washer is running once spray gun trigger lock is engaged. The spray tips vary the spray pattern as shown below.

Follow these instructions to change spray tips:

1. Pull back collar on quick-connect and pull current spray tip off. Store spray tips in holes provided in the handle.


 WARNING	
	The high pressure stream of water that this equipment produces can cut through skin and its underlying tissues, leading to serious injury and possible amputation.
<ul style="list-style-type: none"> • NEVER exchange spray tips without engaging the trigger lock on the spray gun. • DO NOT twist spray tips while spraying. 	

2. Select desired spray tip:
 - For gentle rinse, select white 40° or green 25° spray tip.
 - To scour surface, select yellow 15° or red 0° spray tip.
 - To apply detergent, select black spray tip.
3. Pull back on collar, insert new spray tip and release collar. Tug on spray tip to make sure it is securely in place.

Usage Tips

- For most effective cleaning, keep spray tip from 8 to 24 inches (20 to 61 cm) away from cleaning surface.
- If you get spray tip too close, especially using a high pressure spray tip, you may damage surface being cleaned.
- DO NOT get closer than 6 inches (15 cm) when cleaning tires.

Cleaning and Applying Detergent

 CAUTION
Chemicals can cause bodily injury, and/or property damage.
<ul style="list-style-type: none"> • NEVER use caustic liquid with pressure washer. • Use ONLY pressure washer safe detergents/soaps. Follow all manufacturers instructions.

To apply detergent, follow these steps:

1. Pull back on collar, insert black detergent nozzle and release collar. Tug on nozzle to make sure it is securely in place.

NOTE: Detergent cannot be applied with the high pressure spray tips (White, Green, Yellow, or Red).

2. Prepare detergent solution as required by job.
3. Place small filter end of detergent siphoning tube into detergent container.

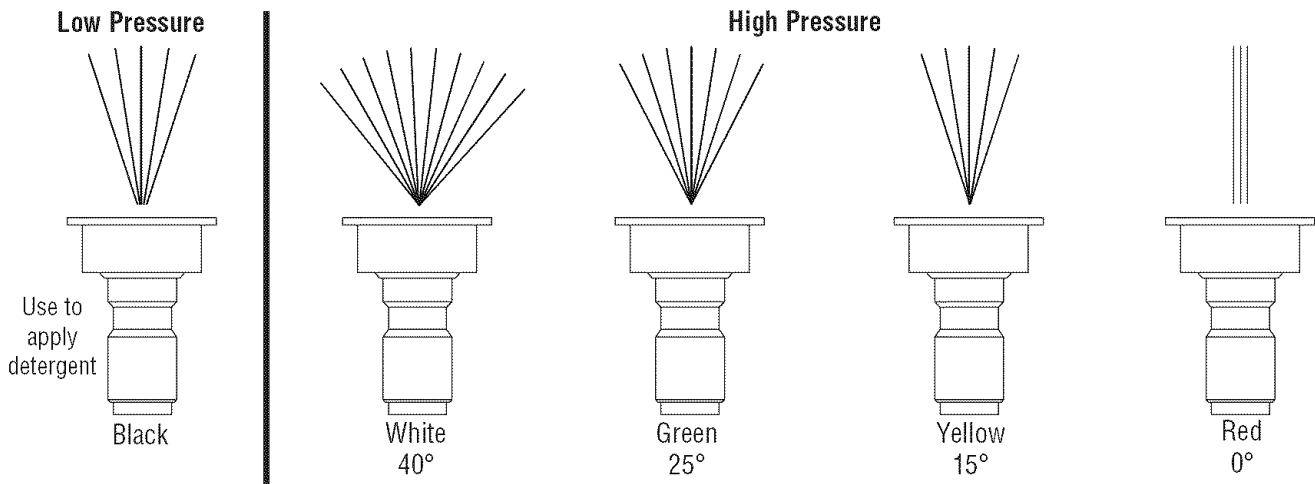
NOTE: Make sure the filter is fully submerged in detergent while applying detergent.

NOTICE
Contact with the hot muffler can damage detergent siphoning tube.
<ul style="list-style-type: none"> • When inserting filter into a detergent solution bottle, route tube so as to keep it from inadvertently contacting hot muffler.

4. Make sure garden hose is connected to water inlet. Check that high pressure hose is connected to spray gun and pump. Turn on water.

NOTICE
You must attach all hoses before you start the engine.
<ul style="list-style-type: none"> • Starting the engine without all the hoses connected and without the water turned ON will damage the pump. • Damage to equipment resulting from failure to follow this instruction will void warranty.

5. Start engine following instructions *How to Start Your Pressure Washer*.





- Apply detergent to a dry surface, starting at lower portion of area to be washed and work upward, using long, even, overlapping strokes.
- Allow detergent to "soak in" for 3-5 minutes before washing and rinsing. Reapply as needed to prevent surface from drying. **DO NOT** allow detergent to dry on (prevents streaking).

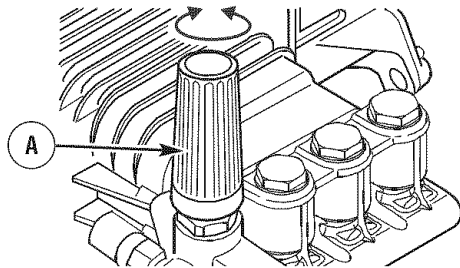
IMPORTANT: You must flush the detergent siphoning system after each use by placing the filter into a bucket of clean water, then run the pressure washer with black detergent nozzle for 1-2 minutes.

Pressure Washer Rinsing

- Remove black detergent nozzle from nozzle extension.
- Select and install desired high pressure spray tip following instructions *How to Use Spray Tips*.
- Keep spray gun a safe distance from area you plan to spray.

 WARNING	
	Kickback from spray gun can cause you to fall.
<ul style="list-style-type: none"> Operate pressure washer from a stable surface. Be extremely careful if you must use the pressure washer from a ladder, scaffolding, or any other similar location. Firmly grasp spray gun with both hands when using high pressure spray to avoid injury when spray gun kicks back. 	

- Increase (decrease) spray pressure by turning pressure control knob (A) clockwise (counterclockwise). Use lower pressure to wash items such as a car or boat. Use higher pressure to strip paint and degrease driveways.





- Apply a high pressure spray to a small area and then check the surface for damage. If no damage is found, you can assume it is okay to continue rinsing.
- Start at top of area to be rinsed, working down with same overlapping strokes as you used for cleaning.

Cleaning Detergent Siphoning Tube

If you used the detergent siphoning tube, you must flush it with clean water before stopping the engine.

- Remove high pressure spray tip from nozzle extension.
- Select and install black detergent nozzle.
- Place detergent siphoning tube/filter in a bucket full of clean water.
- Flush for 1-2 minutes.
- Shut off engine following instructions *How to Stop Pressure Washer* and turn off water supply.
- ALWAYS** point spray gun in a safe direction, press red button and squeeze spray gun trigger to release retained high water pressure.

IMPORTANT: Spray gun traps high water pressure, even when engine is stopped and water is disconnected.

 WARNING	
	<p>The high pressure stream of water that this equipment produces can cut through skin and its underlying tissues, leading to serious injury and possible amputation.</p> <p>Spray gun traps high water pressure, even when engine is stopped and water is disconnected, which can cause injury.</p>
<ul style="list-style-type: none"> Keep high pressure hose connected to pump and spray gun while system is pressurized. ALWAYS point spray gun in safe direction, press red button and squeeze spray gun trigger, to release high pressure, every time you stop engine. 	

Automatic Cool Down System (Thermal Relief)

If you run the engine on your pressure washer for 3-5 minutes without pressing the trigger on the spray gun, circulating water in the pump can reach temperatures above 125°F. The system engages to cool the pump by **discharging the warm water onto the ground.**

MAINTENANCE

PRODUCT SPECIFICATIONS

Pressure Washer Specifications

Pressure	3,800 PSI
Flow Rate	4.0 GPM
Detergent Mix	Use as directed
Water Supply Temperature	Not to exceed 100°F
Pump Oil Capacity	12 fl. oz. (0.35 l)

Engine Specifications

Rated Horsepower	13 at 3600 rpm
Bore	3.5 in. (88 mm)
Stroke	2.5 in. (64 mm)
Displacement	23.7 in. (389 cc)
Spark Plug	
Resistor	NGK BPR6ES
Set Gap To:	0.028-0.031 in (0.70-0.80 mm)
Intake Valve Clearance	0.15 ± 0.02 mm (cold)
Exhaust Valve Clearance	0.20 ± 0.02 mm (cold)
Fuel Capacity	1.72 Gallons
Oil Type	SAE 10W-30

This pressure washer is rated in accordance to the Pressure Washer Manufacture Association (PWMA) standard PW101 (Testing and Rating Performance of Pressure Washers).

OWNER'S RESPONSIBILITIES

Follow the hourly or calendar intervals, whichever occurs first. More frequent service is required when operating in adverse conditions noted below.

Maintenance Schedule

First 20 Hours
• Change engine oil
Every 8 Hours or Daily
• Check/clean water inlet screen ¹
• Check high pressure hose
• Check detergent siphoning hose
• Check spray gun and assembly for leaks
• Clean debris
• Check air filter
• Check engine oil level
Every 50 Hours or 3 Months
• Clean air filter ²
Every 100 Hours or 6 Months
• Change engine oil
• Clean sediment cup
• Check/adjust spark plug
• Service spark arrester ¹
• Clean fuel tank and filter
Every 200 Hours or 3 Months
• Change pump oil ⁵
Every 300 Hours or Yearly
• Replace air filter ³
• Replace spark plug
• Check adjust idle speed ⁴
• Check adjust valve clearance ⁴
Every 500 Hours
• Clean combustion chamber ⁴
Every 2 Years
• Check fuel tube (replace if necessary) ⁴

¹ Clean if clogged. Replace if perforated or torn.

² Service more often under dirty or dusty conditions.

³ Replace paper element only.

⁴ These items should be serviced by your servicing dealer.

⁵ Change after first 50 hours of operation and then every 200 hours or 3 months, whichever occurs first.

General Recommendations

Regular maintenance will improve the performance and extend the life of the pressure washer. See any Sears or other qualified service dealer for service.

The pressure washer warranty does not cover items that have been subjected to operator abuse or negligence. To receive full value from the warranty, the operator must maintain pressure washer as instructed in this manual including proper storage as detailed in *Storage*.

Some adjustments will need to be made periodically to properly maintain your pressure washer.

All service and adjustments should be made at least once each season. Follow the requirements in the Maintenance Schedule chart.

NOTE: Once a year you should clean or replace the spark plug and replace the air filter. A new spark plug and clean air filter assure proper fuel-air mixture and help your engine run better and last longer.

Emissions Control

Maintenance, replacement, or repair of the emissions control devices and systems may be performed by any non-road engine repair establishment or individual. However, to obtain "no charge" emissions control service, the work must be performed by a factory authorized dealer. See the *Emissions Warranty*.

Before Each Use

1. Check engine oil level.
2. Clean debris.
3. Check water inlet screen for damage.
4. Check high pressure hose for leaks.
5. Check gun and nozzle extension assembly for leaks.
6. Purge pump of air and contaminants.

PRESSURE WASHER MAINTENANCE

Clean Debris

Daily or before use, clean accumulated debris from pressure washer. Keep linkage, spring and controls clean. Keep area around and behind muffler free from any combustible debris. Inspect cooling air slots and openings on the pressure washer. These openings must be kept clean and unobstructed.

Pressure washer parts should be kept clean to reduce the risk of overheating and ignition of accumulated debris.

- Use a damp cloth to wipe exterior surfaces clean.

NOTICE

Improper treatment of pressure washer can damage it and shorten its life.

- DO NOT insert any objects through cooling slots.

- Use a soft bristle brush to loosen caked on dirt, oil, etc.
- Use a vacuum cleaner to pick up loose dirt and debris.

Check and Clean Inlet Screen

Examine garden hose inlet screen. Clean if it is clogged or replace if it is torn.

Check High Pressure Hose

High pressure hoses can develop leaks from wear, kinking, or abuse. Inspect hose before each use. Check for cuts, leaks, abrasions, bulging of cover, or damage or movement of couplings. If any of these conditions exist, replace hose immediately.

WARNING



The high pressure stream of water that this equipment produces can cut through skin and its underlying tissues, leading to serious injury and possible amputation.

- NEVER repair high pressure hose. Replace it.
- Replacement hose rating MUST exceed maximum pressure rating of unit.

Check Gun and Nozzle Extension

Examine hose connection to spray gun and make sure it is secure. Test trigger by pressing it and making sure it springs back into place when you release it. Do not depress red button and test trigger. You should not be able to press trigger. Replace spray gun immediately if it fails any of these tests.

Nozzle Maintenance

A pulsing sensation felt while squeezing the spray gun trigger may be caused by excessive pump pressure. The principal cause of excessive pump pressure is a spray tip clogged or restricted with foreign materials, such as dirt, etc. To correct the problem, immediately clean the spray tip following these instructions:

1. Shut off engine and turn off water supply.
2. ALWAYS point spray gun in a safe direction, press red button and and squeeze spray gun trigger to release retained high water pressure.

WARNING

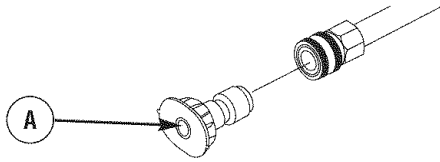


The high pressure stream of water that this equipment produces can cut through skin and its underlying tissues, leading to serious injury and possible amputation.

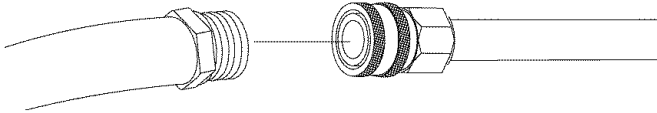
Spray gun traps high water pressure, even when engine is stopped and water is disconnected, which can cause injury.

- Keep high pressure hose connected to pump and spray gun while system is pressurized.
- ALWAYS point spray gun in safe direction, press red button and squeeze spray gun trigger, to release high pressure, every time you stop engine.

3. Remove spray tip from end of nozzle extension.
4. Use a small paper clip to free any foreign material clogging or restricting spray tip (A).




5. Remove nozzle extension from spray gun.
6. Using a garden hose, remove additional debris by back flushing water through nozzle extension. Back flush between 30 to 60 seconds.



7. Reinstall spray tip into nozzle extension.
8. Reconnect nozzle extension to spray gun.
9. Make sure garden hose is connected to water inlet. Check that high pressure hose is connected to spray gun and pump. Turn on water.
10. Start engine following instructions *How to Start Your Pressure Washer*.
11. Test pressure washer by operating with each quick connect spray tip.

O-Ring Maintenance

Purchase an O-Ring Repair Kit at your local Sears or by calling **1-800-4-MY-HOME (469-4663)** or online at www.sears.com. It is not included with the pressure washer. This kit includes replacement o-rings, rubber washer and water inlet filter. Refer to the instruction sheet provided in the kit to service your unit's o-rings.

⚠ WARNING	
	The high pressure stream of water that this equipment produces can cut through skin and its underlying tissues, leading to serious injury and possible amputation.
<ul style="list-style-type: none"> • NEVER repair leaking connections with sealant of any kind. Replace o-ring or seal. 	

Pump Maintenance

Changing Pump Oil


Change oil after first 50 hours of operation and then every 200 hours or 3 months, whichever occurs first.

NOTE: When changing pump oil, use only high quality nondetergent 30 weight oil. Use no special additives.

Change pump oil as follows:

1. Clean area around brass oil drain plug at bottom of pump.
2. Remove oil drain plug. Drain oil completely into an approved container.
3. When oil has completely drained, install oil drain plug and tighten firmly.
4. Clean area around pump oil dipstick. Remove dipstick and fill pump with recommended oil to "Full" mark on dipstick (typically 0.35L or 12 oz.).
5. Install pump oil dipstick.
6. Wipe up any spilled oil.

ENGINE MAINTENANCE

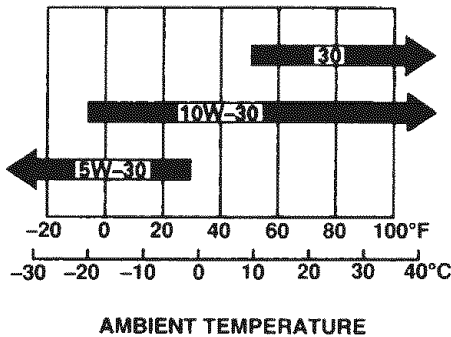
⚠ WARNING	
	Unintentional sparking can result in fire or electric shock.
WHEN ADJUSTING OR MAKING REPAIRS TO YOUR PRESSURE WASHER	
<ul style="list-style-type: none"> • Disconnect the spark plug wire from the spark plug and place the wire where it cannot contact spark plug. 	
WHEN TESTING FOR ENGINE SPARK	
<ul style="list-style-type: none"> • Use approved spark plug tester. • DO NOT check for spark with spark plug removed. 	

Oil

Oil Recommendations

NOTE: When adding oil to the engine crankcase, use only high quality 4-stroke automotive detergent oil rated with API service classification SJ or SL rated SAE 10W-30 weight. DO NOT use special additives.

1. Choose a viscosity according to table below.



NOTE: Other viscosities shown in the chart may be used when the average temperature in your area is within the recommended range.

Checking Oil Level

Oil level should be checked prior to each use or at least every 8 hours of operation. Keep oil level maintained.

1. Make sure pressure washer is on a level surface.
2. Clean area around dipstick. Remove oil dipstick and wipe dipstick with clean cloth. Replace dipstick. Remove and check oil level.
3. Verify oil is at “Full” mark on dipstick. Replace and tighten dipstick.

Adding Engine Oil

1. Make sure pressure washer is on a level surface.
2. Check oil level as described in *Checking Oil Level*.
3. If needed, slowly pour oil into oil fill opening. Pause to permit oil to settle. Fill to edge of oil filler hole.
4. Replace and tighten dipstick.

Changing Engine Oil

Change engine oil after the first 20 hours and every 100 hours or 6 months, whichever comes first, thereafter. If you are using your pressure washer under extremely dirty or dusty conditions, or in extremely hot weather, change oil more often.

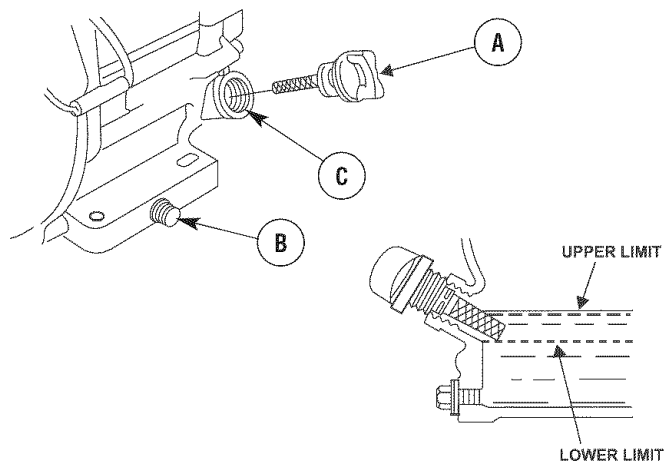
⚠ CAUTION
Avoid prolonged or repeated skin contact with used motor oil.
<ul style="list-style-type: none"> • Used motor oil has been shown to cause skin cancer in certain laboratory animals. • Thoroughly wash exposed areas with soap and water.



KEEP OUT OF REACH OF CHILDREN. DON'T POLLUTE. CONSERVE RESOURCES. RETURN USED OIL TO COLLECTION CENTERS.

Change oil while engine is still warm from running, as follows:

1. Disconnect spark plug wire and keep it away from spark plug.
2. Place a suitable container below engine to catch used oil. Remove dipstick (A), drain plug (B) and washer.
3. Allow oil to drain completely. Reinstall drain plug and washer. Tighten drain plug securely.
4. Place pressure washer on a level surface.
5. Slowly pour recommended oil into oil fill opening (C). Pause to permit oil to settle. Fill to edge of oil filler hole.



6. Screw in the dipstick and tighten securely.
7. Wipe up any remaining oil.
8. Reconnect spark plug wire to spark plug.

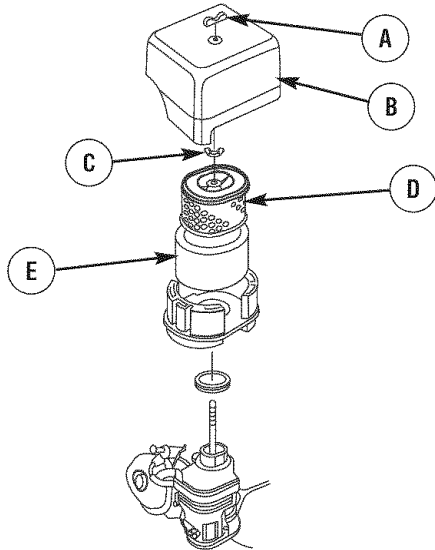
Service Air Cleaner

Your engine will not run properly and may be damaged if you run it with a dirty air cleaner.

Clean the air cleaner once every 50 hours of operation or 3 months, whichever comes first. Service more often if operating under dirty or dusty conditions. Replace the paper filter element once every 300 hours or once a year, whichever comes first. Replacements are available at your local Sears service center.

To service the air cleaner, follow these steps:

1. Remove wing nut (A) from air cleaner cover (B), and remove cover.



2. Remove wing nut (C) from air filter (D), and remove filter.
3. Remove foam filter (E) from paper filter.
4. Inspect both air filter elements. Replace if damaged.
5. Clean paper air filter element by tapping filter on a hard surface to remove dirt, or blow compressed air (not exceeding 30 psi) through filter element from inside.

IMPORTANT: NEVER try to brush off dirt; brushing will force dirt into fibers.

6. Clean foam air filter element in warm soapy water, rinse and allow to dry thoroughly. Or clean in nonflammable solvent and allow to dry. Dip foam filter element in clean engine oil, then squeeze out all excess oil.

IMPORTANT: Engine will smoke when started if too much oil is left in foam.

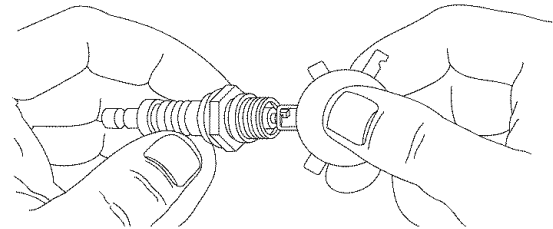
7. Using a moist rag, wipe dirt from inside of air cleaner base and cover. Be careful to prevent dirt from entering air duct that leads to the carburetor.
8. Place foam air filter element over paper element and reinstall assembled air filter. Be sure gasket is in place beneath air filter. Tighten air filter wing nut securely.
9. Install air cleaner cover and tighten cover wing nut securely.

NOTE: You can purchase new air filter elements by calling 1-800-4-MY-HOME (469-4663).

Service Spark Plug

Check and adjust the spark plug every 100 hours of operation or yearly, whichever occurs first. Replace the spark plug every 300 hours of operation or yearly, whichever occurs first.

1. Clean area around spark plug.
2. Remove and inspect spark plug.
3. Replace spark plug if electrodes are worn, or if insulator is cracked or chipped.
4. Check electrode gap with wire feeler gauge and set gap at 0.028-0.031 inches (0.70-0.80 mm), if necessary.



5. Install spark plug, tighten securely.

NOTE: You can purchase a new spark plug by calling 1-800-4-MY-HOME (469-4663).

Carburetor




If you think your carburetor needs adjusting, see your nearest Sears service center. Engine performance may be affected at altitudes above 5000 feet. For operation at higher elevations, contact your nearest Sears service center.

Spark Arrester Service

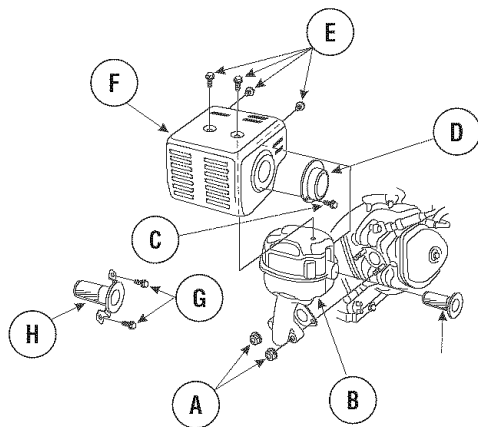
Your engine is not factory-equipped with a spark arrester. In some areas, it is illegal to operate an engine without a spark arrester. Check local laws and regulations. A spark arrester is available from your nearest Sears service center. If you need to order a spark arrester, please call **1-800-4-MY-HOME (469-4663)**.

The spark arrester must be serviced every 100 hours to keep it functioning as designed.

If the engine has been running, the muffler will be very hot. Allow the muffler to cool before servicing the spark arrester.

 WARNING	
	Contact with muffler area can result in serious burns.
	Exhaust heat/gases can ignite combustibles, structures or damage fuel tank causing a fire.
<ul style="list-style-type: none"> • DO NOT touch hot parts and AVOID hot exhaust gases. • Allow equipment to cool before touching. • Keep at least 5 feet (152 cm) of clearance on all sides of pressure washer including overhead. • Code of Federal Regulation (CFR) Title 36 Parks, Forests, and Public Property require equipment powered by an internal combustion engine to have a spark arrester, maintained in effective working order, complying to USDA Forest service standard 5100-1C or later revision. In the State of California a spark arrester is required under section 4442 of the California Public resources code. Other states may have similar laws. 	

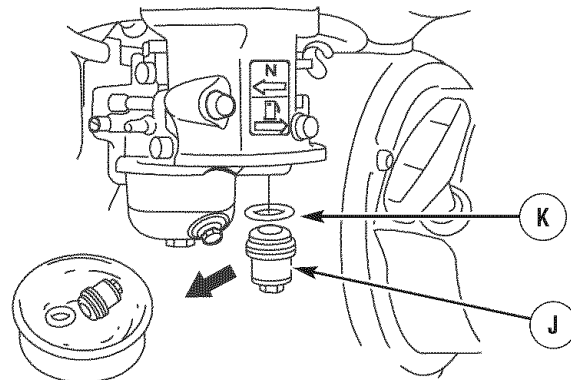
1. Remove the two 8 mm nuts (A) and remove muffler (B) from cylinder.



2. Remove the three 4 mm screws (C) from exhaust deflector (D), and remove deflector.
 3. Remove the four 5 mm screws (E) from muffler protector (F) and remove muffler protector.
 4. Remove 4 mm screws (G) from spark arrester (H) and remove spark arrester from muffler.
 5. Use a brush to remove carbon deposits from spark arrester screen. Be careful to avoid damaging screen.
- IMPORTANT:** The spark arrester screen must be free of breaks and holes. Replace spark arrester if it is damaged.
6. Install spark arrester, muffler protector, exhaust deflector and muffler in reverse order of disassembly.

Sediment Cup Cleaning

1. Move fuel valve to "Off" position, then remove fuel sediment cup (J) and o-ring (K).





2. Wash sediment cup and o-ring in nonflammable solvent. Dry thoroughly.
3. Place o-ring in fuel valve and install sediment cup. Tighten sediment cup securely.
4. Move fuel valve to "On" position and check for leaks. Replace o-ring if there is any leakage.




AFTER EACH USE

Water should not remain in the unit for long periods of time. Sediments or minerals can deposit on pump parts and “freeze” pump action. Follow these procedures after every use:

1. Shut off engine, turn off water supply, point gun in a safe direction, press red button and squeeze trigger to relieve trapped pressure and let engine cool.

 WARNING	
	The high pressure stream of water that this equipment produces can cut through skin and its underlying tissues, leading to serious injury and possible amputation. Spray gun traps high water pressure, even when engine is stopped and water is disconnected, which can cause injury.
<ul style="list-style-type: none">• Keep high pressure hose connected to pump and spray gun while system is pressurized.• ALWAYS point spray gun in safe direction, press red button and squeeze spray gun trigger to release high pressure, every time you stop engine.	

2. Disconnect hose from spray gun and high pressure outlet on pump. Drain water from hose, gun, and spray tip extension. Use a rag to wipe off the hose.
3. Empty pump of all pumped liquids by pulling recoil handle about 6 times. This should remove most liquid in pump.
4. Coil high pressure hose on hook provided on handle.
5. Store unit in a clean, dry area.
6. If storing for more than 30 days see *Long Term Storage* on next page.

 WARNING	
	Fuel and its vapors are extremely flammable and explosive.
	Fire or explosion can cause severe burns or death.
WHEN STORING FUEL OR EQUIPMENT WITH FUEL IN TANK	
<ul style="list-style-type: none">• Store away from furnaces, stoves, water heaters, clothes dryers, or other appliances that have pilot light or other ignition source because they can ignite fuel vapors.	

STORAGE

WINTER STORAGE

NOTICE

You must protect your unit from freezing temperatures.

- Failure to do so will permanently damage your pump and render your unit inoperable.
- Freeze damage is not covered under warranty.

To protect the unit from freezing temperatures:

1. Follow steps 1-4 in the previous section *After Each Use*.
2. Use pump saver, available at Sears retail item 6039, to treat pump. This minimizes freeze damage and lubricates pistons and seals.
3. If pump saver is not available, connect a 3-foot section of garden hose to water inlet adapter. Pour RV-antifreeze (antifreeze without alcohol) into hose. Pull recoil handle twice. Disconnect 3-foot hose.
4. Store unit in a clean, dry area.

LONG TERM STORAGE

If you do not plan to use the pressure washer for more than 30 days, you must prepare the engine and pump for long term storage.

It is important to prevent gum deposits from forming in essential fuel system parts such as the carburetor, fuel filter, fuel hose or tank during storage. Also, experience indicates that alcohol-blended fuels (called gasohol, ethanol or methanol) can attract moisture, which leads to separation and formation of acids during storage. Acidic gas can damage the fuel system of an engine while in storage.

Protect Fuel System

Fuel Additive:

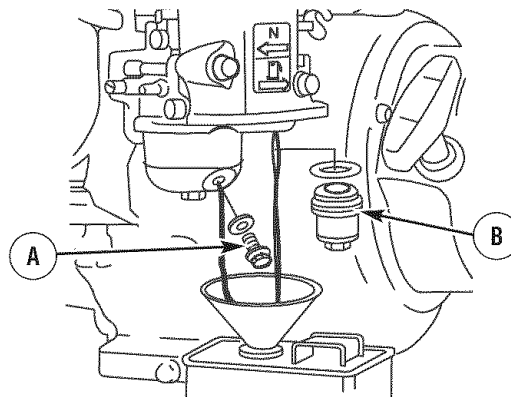
If adding a fuel additive, fill the fuel tank with fresh fuel. If only partially filled, air in the tank will promote fuel deterioration during storage. Engine and fuel can be stored up to 24 months with additive.

- Add fuel additive following manufacturer's instructions.
- Make sure you have water supply to pump inlet connected and turned ON.
- Run the engine outdoors for 10 minutes to be sure that treated fuel has replaced the untreated fuel in the carburetor.
- Stop engine and move fuel valve lever to "Off" position.

Draining Fuel Tank and Carburetor:

If fuel additive is not used, remove all fuel from tank and carburetor.

- Place an approved fuel container below carburetor and use a funnel to avoid spilling fuel.
- Remove carburetor drain bolt (A) and sediment cup (B), then move fuel valve lever to "On" position.



- After all fuel has drained into container, reinstall drain bolt and sediment cup. Tighten both securely.

Change Engine Oil

While engine is still warm, drain oil from crankcase. Refill with recommended grade. See *Changing Engine Oil*.

Oil Cylinder Bore

- Remove spark plug. Squirt about 1 tablespoon of clean engine oil into the cylinder. Cover spark plug hole with rag. Pull recoil handle slowly to distribute oil. Avoid spray from spark plug hole.
- Install spark plug. DO NOT connect spark plug wire.

Protect Pump

To protect the pump from damage caused by mineral deposits or freezing, use PumpSaver, Model 6039, to treat pump. This prevents freeze damage and lubricates pistons and seals.

NOTICE

You must protect your unit from freezing temperatures.

- Failure to do so will permanently damage your pump and render your unit inoperable.
- Freeze damage is not covered under warranty.

NOTE: PumpSaver is available as an optional accessory. It is not included with the pressure washer. Contact your local Sears service center to purchase PumpSaver.

To use PumpSaver, make sure the pressure washer is turned off and disconnected from supply water. Read and follow all instructions and warnings given on the PumpSaver container.

Other Storage Tips

1. DO NOT store fuel from one season to another unless it has been treated as described in *Protect Fuel System*.
2. Replace fuel container if it starts to rust. Rust and/or dirt in fuel can cause problems if it's used with this unit.
3. Cover unit with a suitable protective cover that does not retain moisture.



WARNING



Storage covers can be flammable.

- DO NOT place a storage cover over a hot pressure washer.
- Let equipment cool for a sufficient time before placing the cover on the equipment.

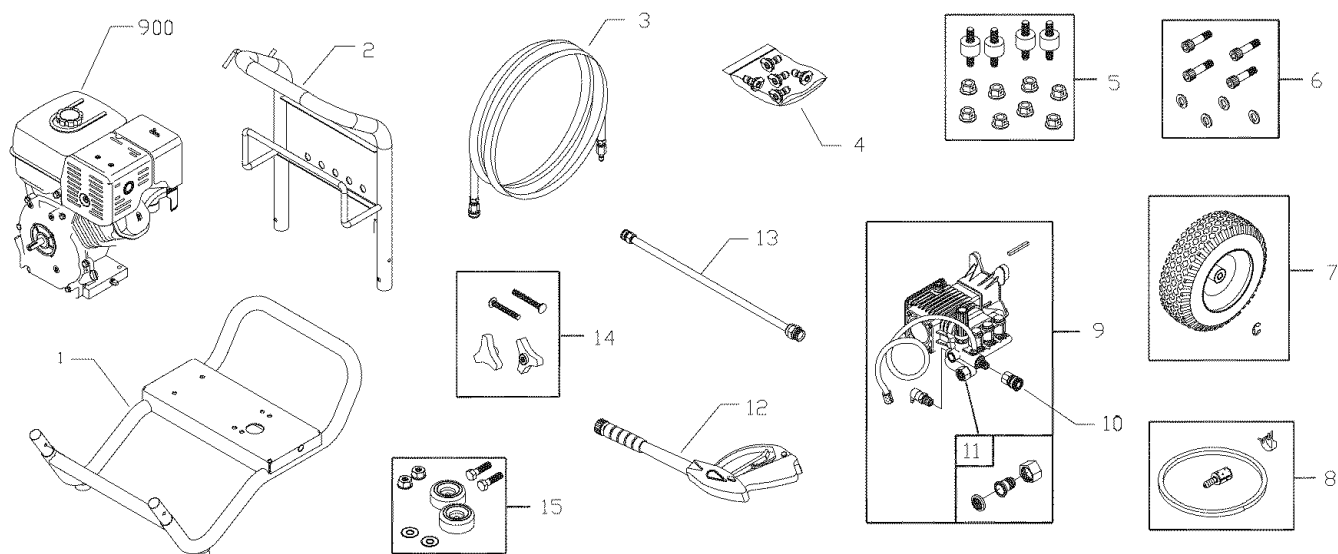
4. Store unit in a clean and dry area.

TROUBLESHOOTING

Problem	Cause	Correction
Pump has following problems: failure to produce pressure, erratic pressure, chattering, loss of pressure, low water volume.	<ol style="list-style-type: none"> 1. Low pressure spray tip installed. 2. Water inlet is blocked. 3. Inadequate water supply. 4. Inlet hose is kinked or leaking. 5. Clogged inlet hose strainer. 6. Water supply is over 100°F. 7. High pressure hose is blocked or leaks. 8. Gun leaks. 9. Spray tip is obstructed. 10. Pump is faulty. 	<ol style="list-style-type: none"> 1. Replace spray tip with high pressure spray tip. 2. Clear inlet. 3. Provide adequate water flow. 4. Straighten inlet hose, patch leak. 5. Check and clean inlet hose strainer. 6. Provide cooler water supply. 7. Clear blocks in outlet hose. 8. Replace gun. 9. Clean spray tip. 10. Contact Sears service facility.
Detergent fails to mix with spray.	<ol style="list-style-type: none"> 1. Detergent siphoning tube is not submerged. 2. Detergent siphoning tube/filter is clogged or cracked. 3. High pressure spray tip installed. 	<ol style="list-style-type: none"> 1. Insert detergent siphoning tube into detergent. 2. Clean or replace filter/detergent siphoning tube. 3. Replace spray tip with low pressure spray tip.
Engine runs good at no-load but "bogs" when load is added.	Engine speed is too slow.	Move throttle control to FAST position. If engine still "bogs down", contact Sears service facility.
Engine will not start; or starts and runs rough.	<ol style="list-style-type: none"> 1. Low oil level. 2. Dirty air cleaner. 3. Out of fuel. 4. Stale fuel. 5. Spark plug wire not connected to spark plug. 6. Bad spark plug. 7. Water in fuel. 8. Overchoking. 9. Excessively rich fuel mixture. 10. Intake valve stuck open or closed. 11. Engine has lost compression. 	<ol style="list-style-type: none"> 1. Fill crankcase to proper level. 2. Clean or replace air cleaner. 3. Fill fuel tank. 4. Drain fuel tank; fill with fresh fuel. 5. Connect wire to spark plug. 6. Replace spark plug. 7. Drain fuel tank; fill with fresh fuel. 8. Open choke fully and crank engine. 9. Contact Sears service facility. 10. Contact Sears service facility. 11. Contact Sears service facility.
Engine shuts down during operation.	Out of fuel.	Fill fuel tank.
Engine lacks power.	Dirty air filter.	Replace air filter.
Engine "hunts" or falters.	Choke is opened too soon.	Move choke to halfway position until engine runs smoothly.

PARTS

CRAFTSMAN 3800 PSI Pressure Washer 580.752300 Main Unit — Exploded View and Parts List



Item	Part #	Description	Item	Part #	Description
1	206055GS	BASE, w/Mounts	12	199956GS	GUN
2	AD201457GS	HANDLE	13	193814GS	ASSY, Wand, QC
3	205734GS	HOSE	14	203040GS	KIT, Handle Fastening
4	196233GS	KIT, Spray Tips	15	192310GS	KIT, Vibration Mount
	195983AGS	Nozzle, QC, Red	900	NSP	ENGINE (GX390UT1) (see pages 26-31)
	195983BGS	Nozzle, QC, Yellow			
	195983CGS	Nozzle, QC, Green			
	195983DGS	Nozzle, QC, White			
	195846ZZGS	Nozzle, QC, Black			
5	195294GS	KIT, Engine Mounting Hardware			
6	192132GS	KIT, Pump Mounting Hardware			
7	194411GS	KIT, Wheel			
	191265GS	E-Ring			
8	192796GS	KIT, Chemical Hose/Filter			
9	199311GS	ASSY, Pump (see page 25)			
	194298GS	Thermal Relief			
	23139DGS	Key			
10	95458GS	FITTING, Quick Connect			
11	199310GS	KIT, Garden Hose Inlet			

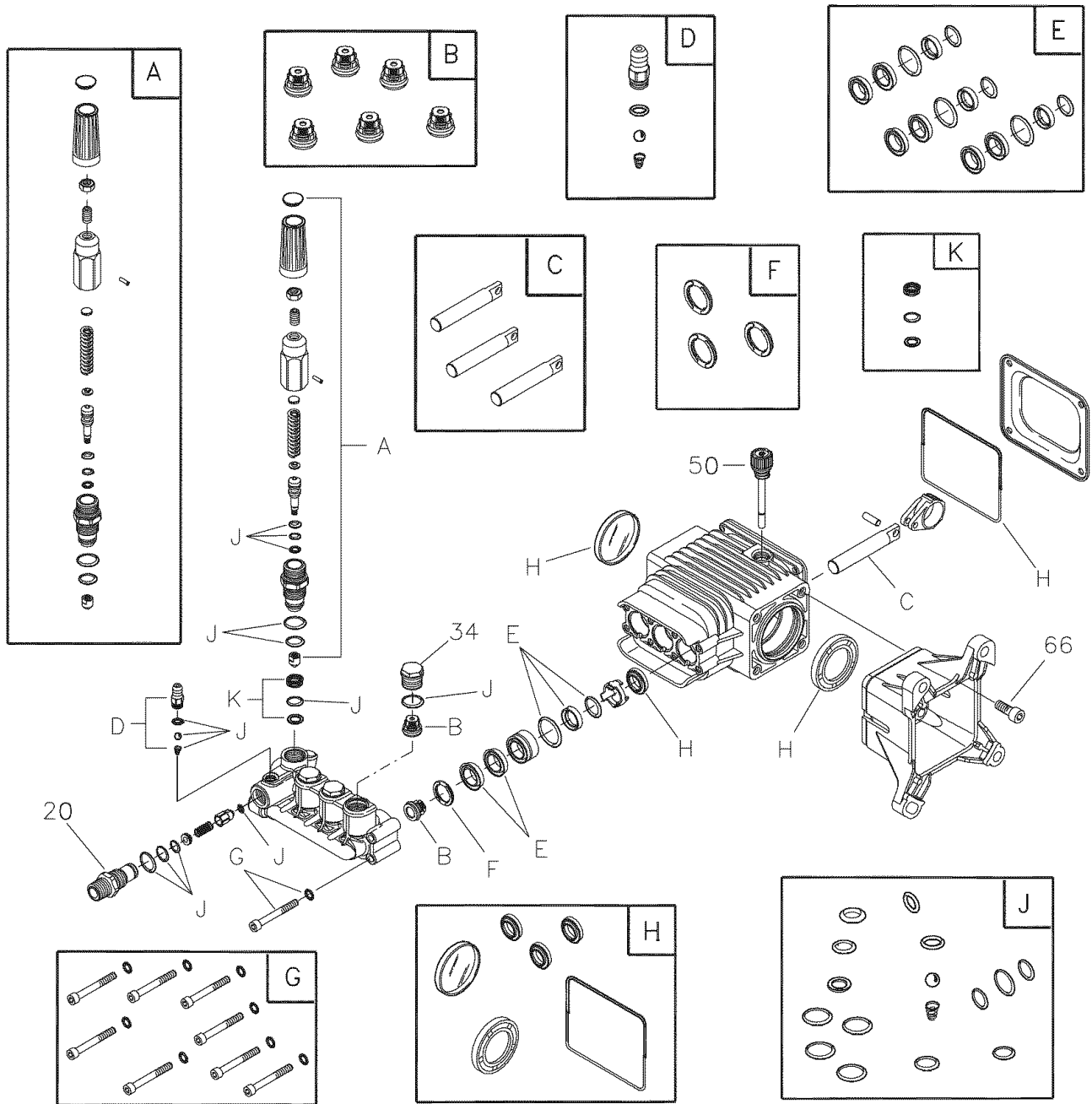
Items Not Illustrated

Part #	Description
191267RGS	AXLE
205732GS	MANUAL, Operator's
30809GS	GROMMET
AB3061BGS	OIL BOTTLE
87815GS	GOGGLES
194355GS	DECAL, Eng Slow/Fast
199571GS	DECAL, Choke
205687GS	DECAL, Shroud
202057GS	DECAL, Cvr, Air Cleaner
194256GS	KIT, Tag, Warning, Srv

Optional Accessories

7175187GS	Garden Hose Quick Connect
7175197GS	Accessory Quick Connect
7175199GS	Rotating Brush Kit
190249GS	25' Replacement Hose
7175116GS	O Ring Repair Kit
7174400GS	Turbo Nozzle
100513GS	25' Extension Hose
7174402GS	Hose Reel
7174300GS	House Wash Concentrate (makes 4 gallons)
7174301GS	Deck Wash Concentrate (makes 2 gallons)
7174302GS	Vehicle/Boat Wash Concentrate (makes 4 gallons)
7174303GS	Degreaser Concentrate (makes 4 gallons)
7174307GS	Mold/Mildew Concentrate (makes 2 gallons)

**CRAFTSMAN 3800 PSI Pressure Washer 580.752300
Pump — Exploded View and Parts List**



Item	Part #	Description
20	198851GS	INJTR, Detergent 3/8NPT
34	198850GS	PLUG
50	198849GS	CAP, Oil Dipstick
66	198297GS	SCREW, M8 x 20
A	198736GS	KIT, UNLOADER
B	198843GS	KIT, VALVES
C	198844GS	KIT, PISTON
D	192914GS	KIT, HOSE TAIL
E	198845GS	KIT, WATER SEALS
F	198848GS	KIT, SUPPORT RING
G	198852GS	KIT, PUMP HEAD HARDWARE
H	198846GS	KIT, OIL SEALS
J	198847GS	KIT, O-RINGS

Item	Part #	Description
K	202902GS	KIT, SEAT

NOTE: Item letters A - K are service kits and include all parts shown within the box.

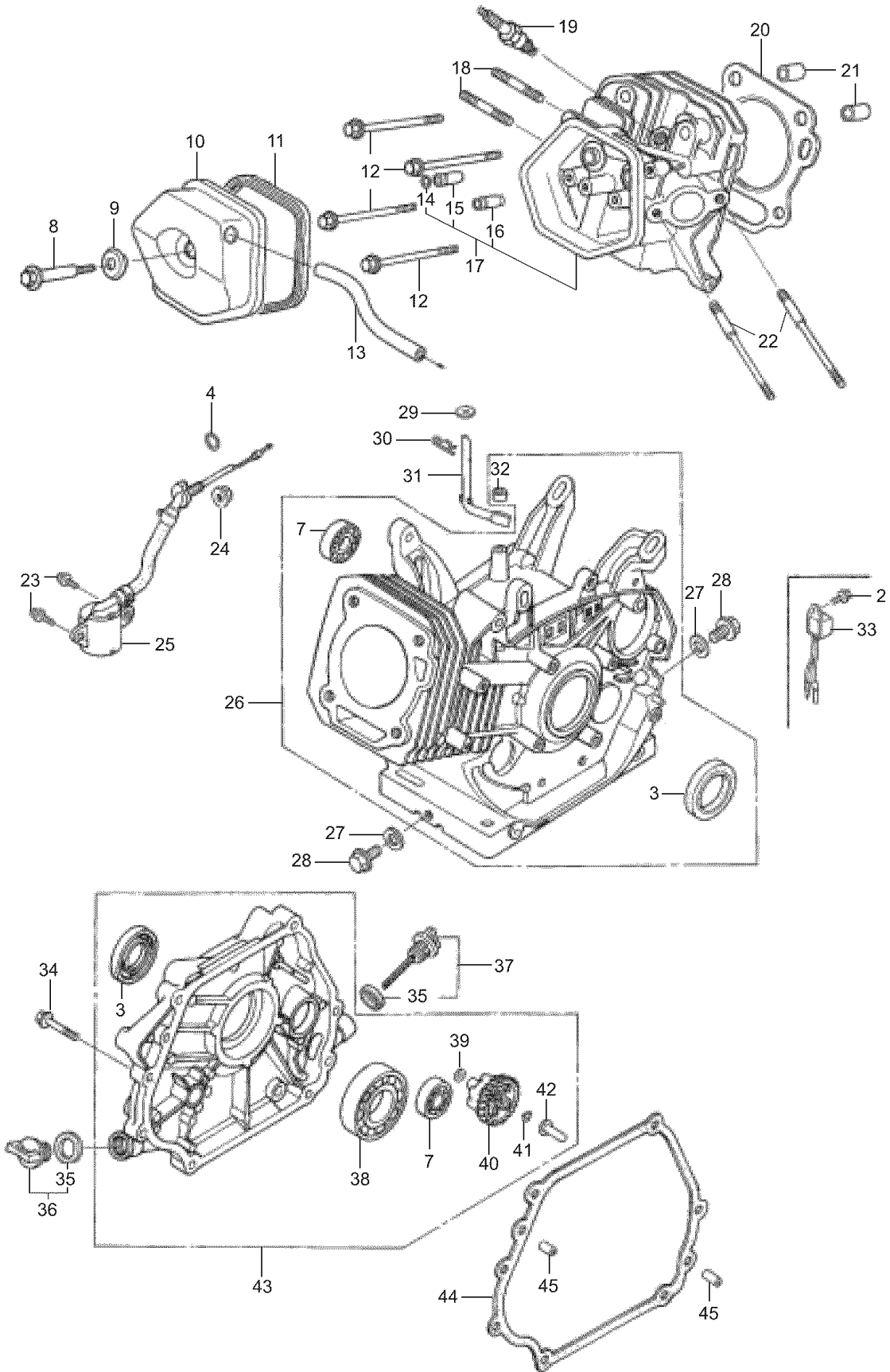
Parts Not Illustrated

B2384GS	FILTER, Inlet
194298GS	VALVE, Thermal Relief

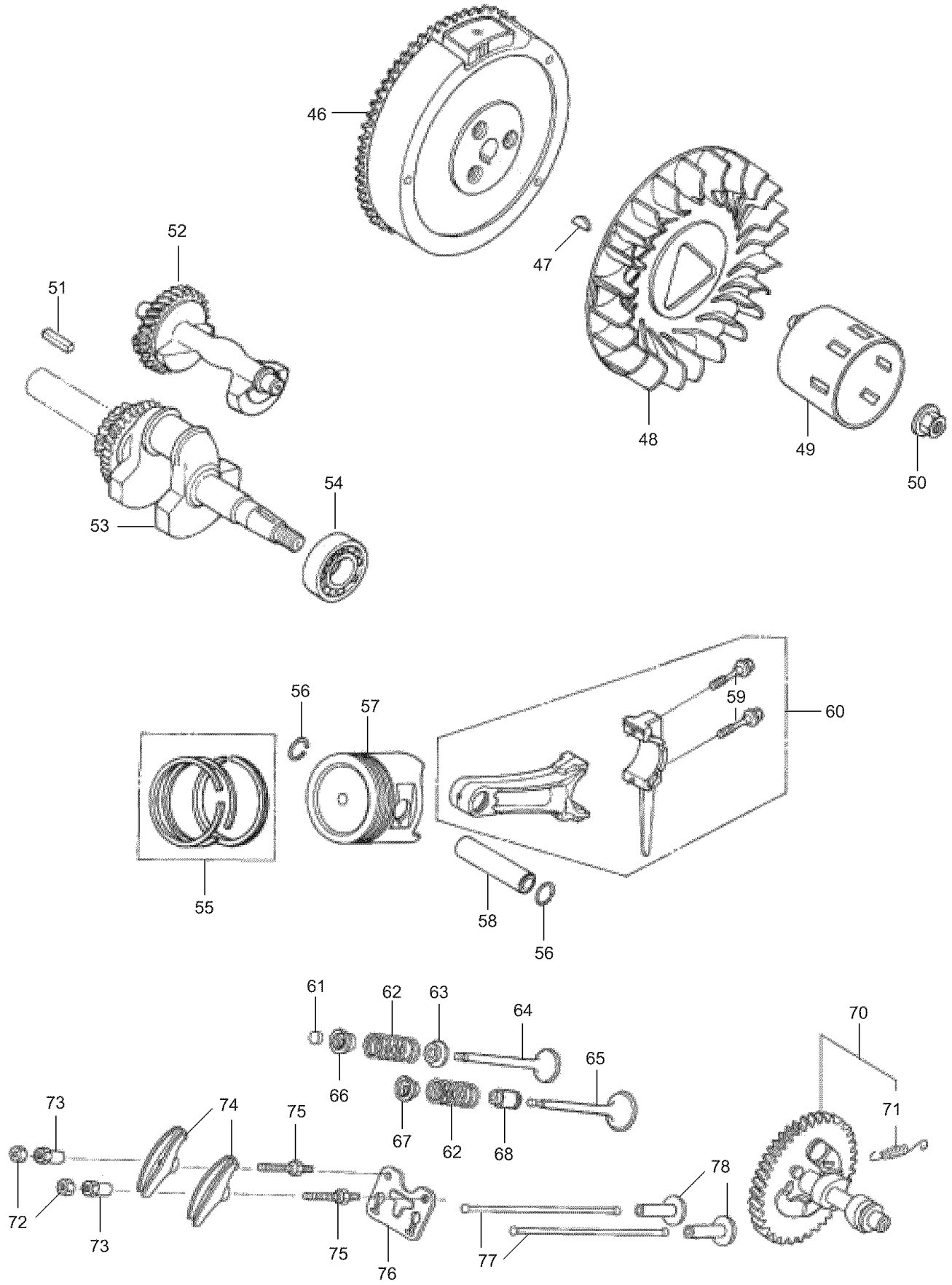
Optional Accessories

6039	PUMP SAVER
6033	OIL BOTTLE, Pump

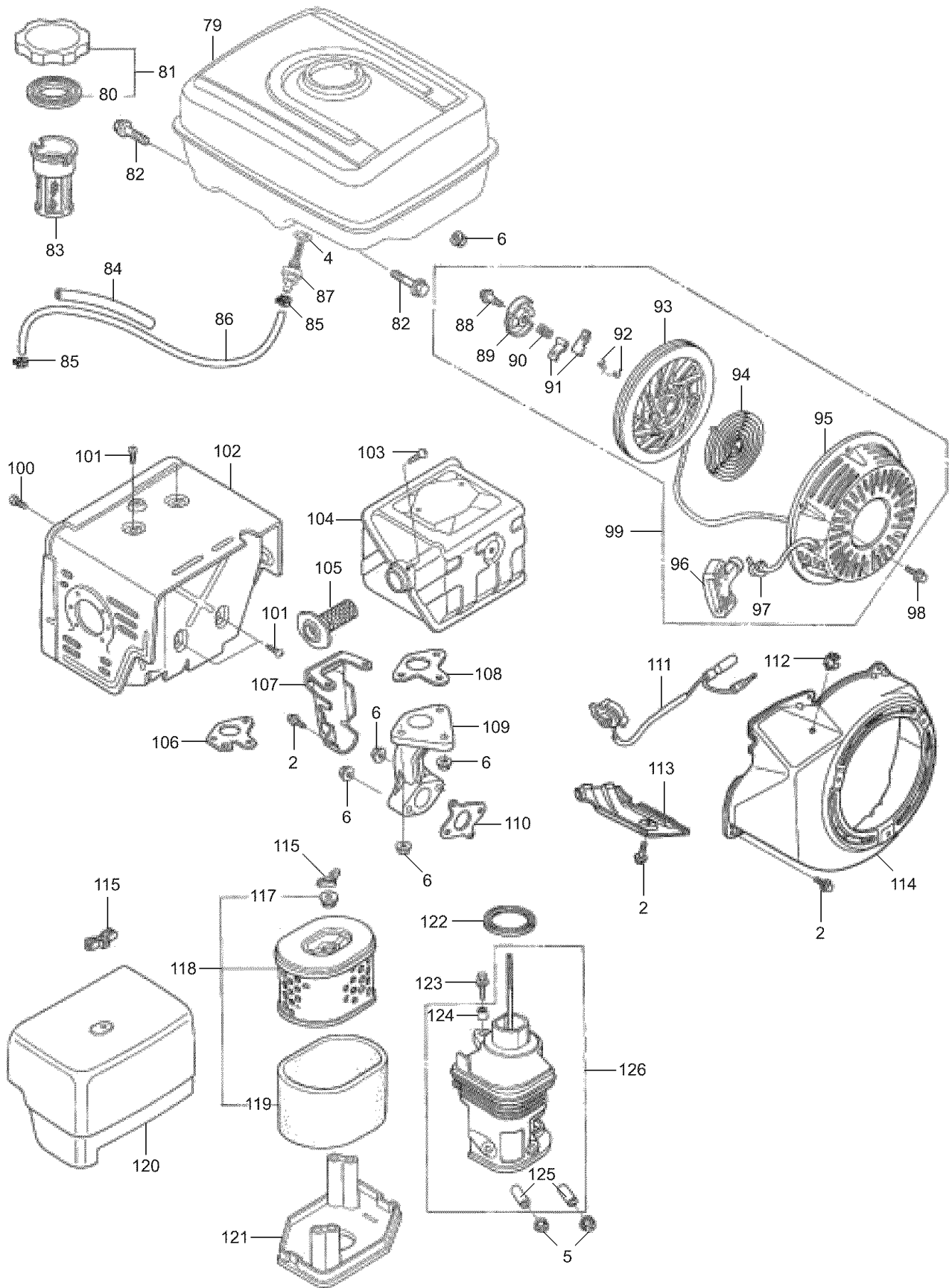
ENGINE, 13 HP, Honda, GX390UT1 – Exploded View



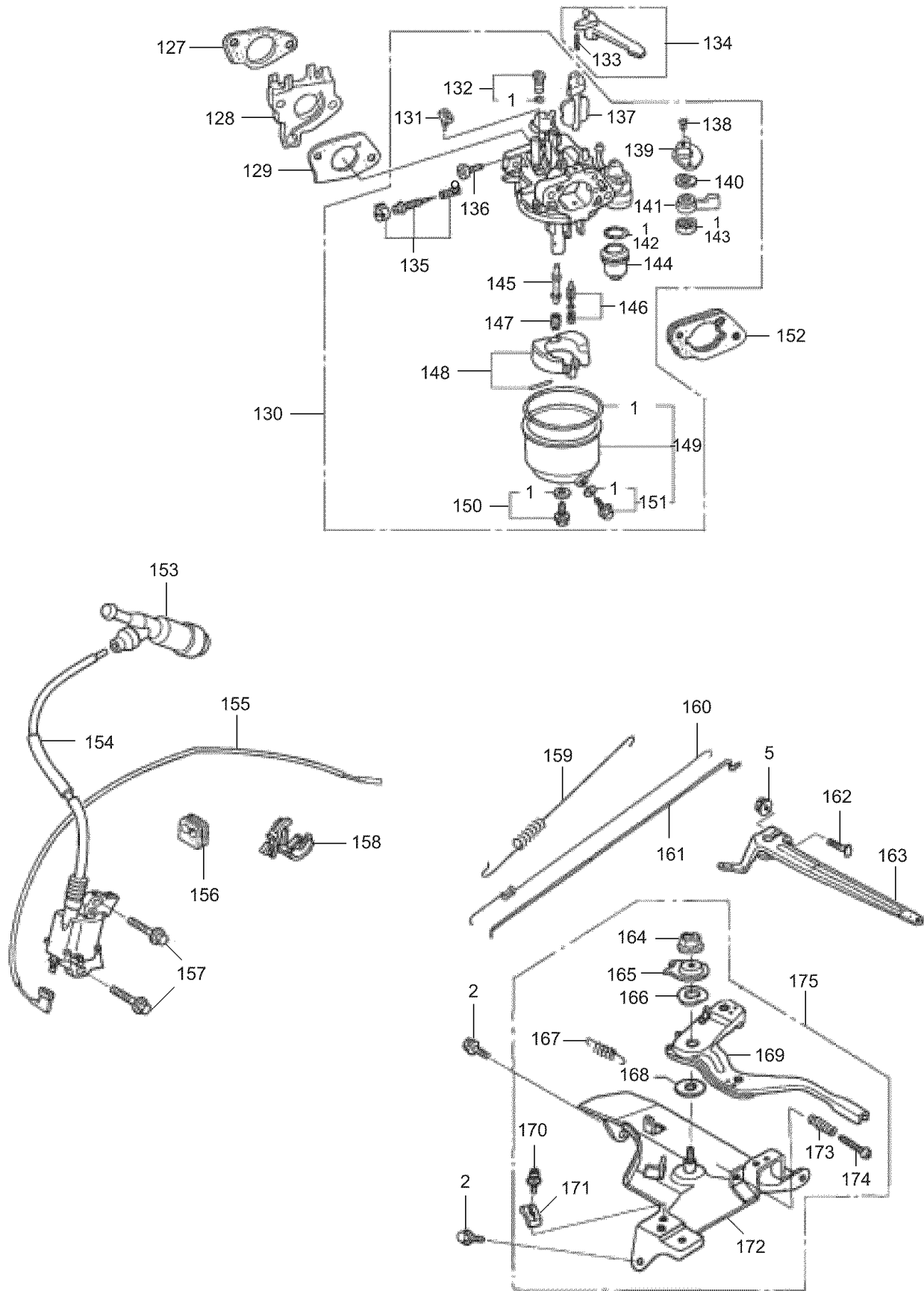
ENGINE, 13 HP, Honda, GX390UT1 – Exploded View



ENGINE, 13 HP, Honda, GX390UT1 – Exploded View



ENGINE, 13 HP, Honda, GX390UT1 – Exploded View



ENGINE, 13 HP, Honda, GX390UT1 – Parts List

Item	Part #	Description	Item	Part #	Description
1	16010-ZE2-812	GASKET SET	51	90745-ZE2-600	KEY
2	90013-883-000	BOLT, FLANGE	52	13351-ZE3-010	WEIGHT, BALANCER
3	91201-Z1C-003	OIL SEAL	53	13310-ZF6-W12	CRANKSHAFT
4	91353-671-003	O-RING	54	91001-ZF6-013	BEARING, RADIAL BALL
5	94050-06000	NUT, FLANGE	55	13010-Z5R-004	RING SET, PISTON
6	94050-08000	NUT, FLANGE	56	90601-ZE3-000	CLIP, PISTON PIN
7	96100-62020-00	BEARING, RADIAL BALL	57	13101-Z5T-000	PISTON
8	90014-ZE2-000	BOLT, HEAD COVER	58	13111-ZF6-W00	PIN, PISTON
9	90441-ZE2-010	WASHER, HEAD COVER	59	90001-ZE8-000	BOLT, CONNECTING ROD
10	12310-ZE2-020	COVER, HEAD	60	13200-Z1C-000	ROD ASSY
11	12391-ZE2-020	GASKET, HEAD COVER	61	14781-ZE2-000	ROTATOR, VALVE
12	95701-10080-00	BOLT, FLANGE	62	14751-Z1C-000	SPRING, VALVE
13	95005-11001-30M	HOSE, VACUUM	63	14775-ZE2-010	SEAT, VALVE SPRING
14	12216-ZE2-300	CLIP, VALVE GUIDE	64	14721-ZE3-000	VALVE, EX.
15	12205-ZE2-305	GUIDE, EX. VALVE	65	14711-ZE3-000	VALVE, IN.
16	12204-ZE2-306	GUIDE, VALVE	66	14773-ZE2-000	RETAINER, EX. VALVE SPRING
17	12200-Z1C-406	CYLINDER HEAD	67	14771-ZE2-000	RETAINER, IN. VALVE SPRING
18	92900-08032-0E	BOLT, STUD	68	12209-ZE8-003	SEAL, VALVE STEM
19	98079-56846	SPARK PLUG	70	14100-ZF6-W01	CAMSHAFT ASSY
20	12251-ZF6-W00	GASKET, CYLINDER HEAD	71	14568-ZE1-000	SPRING, WEIGHT RETURN
21	94301-12200	PIN, DOWEL	72	90206-ZE1-000	NUT, PIVOT
22	90042-ZE8-000	BOLT, STUD	73	14451-ZE1-013	PIVOT, ROCKER ARM
23	95701-06012-00	BOLT, FLANGE	74	14431-ZE2-010	ARM, VALVE ROCKER
24	94050-10000	NUT, FLANGE	75	90012-ZE0-010	BOLT, PIVOT
25	15510-ZE2-053	SWITCH ASSY	76	14791-ZE2-010	PLATE, PUSH ROD GUIDE
26	12000-Z1C-407	CYLINDER ASSY	77	14410-Z1C-000	ROD, PUSH
27	94109-12000	WASHER, DRAIN PLUG	78	14441-ZE2-000	LIFTER, VALVE
28	90131-896-650	BOLT, DRAIN PLUG	79	17510-ZE3-020ZB	TANK, FUEL
29	90446-KE1-000	WASHER	80	17631-Z0T-801	GASKET, FUEL FILLER CAP
30	94251-10000	PIN, LOCK	81	17620-Z0T-813	CAP, FUEL FILLER
31	16541-ZE3-010	SHAFT, GOVERNOR ARM	82	95701-08025-00	BOLT, FLANGE
32	91203-952-771	OIL SEAL	83	17672-ZE2-W01	FILTER, FUEL
33	34150-ZH7-013	ALERT UNIT, OIL	84	16854-ZH8-000	RUBBER, SUPPORT
34	95701-08040-00	BOLT, FLANGE	85	95002-40800-08	CLAMP, TUBE
35	15625-Z0T-800	GASKET, OIL FILLER CAP	86	91424-Z5L-801	TUBE, FUEL
36	15600-Z0T-820	CAP ASSY	87	16955-ZE1-000	JOINT, FUEL TANK
37	15600-Z1C-000	CAP ASSY	88	90004-ZE2-W01	SCREW, CENTER
38	96100-62070-00	BEARING, RADIAL BALL	89	28444-ZE2-W01	RETAINER, SPRING
39	94101-06800	WASHER	90	28441-ZE2-W01	SPRING, FRICTION
40	16510-ZE3-000	GOVERNOR ASSY	91	28422-ZE2-W01	RATCHET, STARTER
41	90602-ZE1-000	CLIP, GOVERNOR HOLDER	92	28443-ZE2-W01	SPRING, RATCHET
42	16531-Z0A-000	SLIDER, GOVERNOR	93	28421-ZE3-W01	PULLEY, RECOIL STARTER
43	11300-Z1C-600	COVER ASSY	94	28442-ZE2-W01	SPRING, STARTER RETURN
44	11381-ZE3-801	GASKET, CASE COVER	95	28410-ZE3-W01ZB	CASE, RECOIL STARTER
45	90701-HC4-000	PIN, DOWEL	96	28461-ZE2-W02	GRIP, STARTER
46	31100-ZE3-701	FLYWHEEL	97	28462-ZE3-W01	ROPE, RECOIL STARTER
47	90741-ZE2-000	KEY	98	90008-ZE2-003	BOLT, FLANGE
48	19511-ZE3-000	FAN, COOLING	99	28400-ZE3-W01ZB	STARTER ASSY
49	28451-ZE3-W01	PULLEY, STARTER	100	90006-ZE2-000	SCREW, TAPPING
50	90201-ZE3-V00	NUT, SPECIAL			

ENGINE, 13 HP, Honda, GX390UT1 – Parts List

Item	Part #	Description	Item	Part #	Description
101	90050-ZE1-000	SCREW, TAPPING	141	16953-ZE1-812	LEVER, PETCOCK
102	18320-ZE2-W61	PROTECTOR, MUFFLER	142	16173-001-004	*GASKET, FUEL STRAINER CUP
103	90055-ZE1-000	SCREW, TAPPING			
104	18310-ZE2-W61	MUFFLER	143	16957-ZE1-812	*GASKET, PETCOCK
105	18355-ZE2-W00	ARRESTER, SPARK	144	16967-ZE0-811	CUP, FUEL STRAINER
106	18381-ZE2-W10	GASKET, MUFFLER	145	16166-ZF6-V00	NOZZLE, MAIN
107	18323-ZE3-W40	PROTECTOR, EX. PIPE	146	16011-ZA0-931	VALVE SET, FLOAT
108	18381-ZE2-800	GASKET, MUFFLER	147	99101-ZH8-0920	JET, MAIN
109	18330-ZE2-W00	PIPE, EX.	148	16013-Z1C-003	FLOAT SET
110	18333-ZF6-W01	GASKET, EX. PIPE	149	16015-ZE8-005	CHAMBER SET, FLOAT
111	36100-ZF6-P82	SWITCH ASSY	150	16028-ZE0-005	SCREW SET
112	16731-ZE2-003	CLIP, TUBE	151	16024-ZE1-811	SCREW SET, DRAIN
113	19631-ZE3-W00	SHROUD	152	16220-ZA0-702	SPACER, CARBURETOR
114	19610-ZE3-010ZB	COVER, FAN	153	30700-Z1C-811	CAP ASSY
115	90203-ZA0-800	WINGNUT	154	30500-Z1C-023	COIL ASSY
117	17232-891-000	GROMMET, AIR CLEANER	155	36101-ZE2-701	WIRE, STOP SWITCH
118	17210-ZE3-505	ELEMENT, AIR CLEANER	156	31512-ZE2-000	GROMMET, WIRE
119	17218-ZE3-505	FILTER	157	90015-883-000	BOLT, FLANGE
120	17231-ZE3-W01	COVER, AIR CLEANER	158	90684-ZA0-601	CLIP, HARNESS
121	17235-ZH9-N01	NOSE, MUFFLER	159	16561-ZE3-000	SPRING, GOVERNOR
122	16271-ZE2-010	GASKET, ELBOW	160	16562-ZE3-000	SPRING, THROTTLE RETURN
123	90009-Z1C-000	BOLT-WASHER	161	16555-ZE3-000	ROD, GOVERNOR
124	17239-ZE1-000	COLLAR B, AIR CLEANER	162	90015-ZE5-010	BOLT, GOVERNOR ARM
125	17238-ZE2-310	COLLAR, AIR CLEANER	163	16551-ZE3-000	ARM, GOVERNOR
126	17410-ZH9-N00	ELBOW, AIR CLEANER	164	90114-SA0-000	NUT, SELF-LOCK
127	16223-ZE3-W00	GASKET, INSULATOR	165	16575-ZE2-W00	WASHER, CONTROL LEVER
128	16211-ZF6-000	INSULATOR, CARBURETOR	166	16574-ZE1-000	SPRING, LEVER
129	16221-ZF6-800	GASKET, CARBURETOR	167	16592-883-310	SPRING, CABLE RETURN
130	16100-Z1C-V01	CARBURETOR ASSY	168	16578-ZE1-000	SPACER, CONTROL LEVER
131	16172-ZE3-W10	COLLAR, SETTING	169	16571-ZE3-W00	LEVER, CONTROL
132	99204-ZA0-0450	JET SET, PILOT	170	93500-05016-0A	SCREW, PAN
133	94305-20122	PIN, SPRING	171	16576-891-000	HOLDER, CABLE
134	16610-ZE1-000	LEVER, CHOKE	172	16581-ZE3-W00	BASE, CONTROL
135	16016-ZH7-W01	SCREW SET, PILOT	173	16584-883-300	SPRING, CONTROL
136	16124-ZE0-005	SCREW, THROTTLE STOP			ADJUSTING
137	16044-ZE3-W20	CHOKE SET	174	93500-05032-0A	SCREW, PAN
138	93500-03006-0H	SCREW, PAN	175	16570-ZE3-W20	CONTROL ASSY
139	16954-ZE1-812	PLATE, LEVER SETTING			
140	16956-ZE1-811	SPRING, PETCOCK LEVER			

* - INCLUDED IN CARBURETOR GASKET SET

EMISSION CONTROL WARRANTY STATEMENT

Sears, Roebuck and Co., U.S.A. (Sears), the California Air Resources Board (CARB) and the United States Environmental Protection Agency (U.S.EPA)

Emissions Control System Warranty Statement (Owner's Defect Warranty Rights and Obligations)

The California Air Resources Board (CARB), U.S. EPA and Sears are pleased to explain the Emissions Control System Warranty on your small offroad engine (SORE). In California, new small offroad engines model year 2006 and later must be designed, built and equipped to meet the State's stringent anti-smog standards.

Elsewhere in the United States, new non-road, spark-ignition engines certified for model year 1997 and later must meet similar standards set forth by the U.S. EPA. Sears must warrant the emissions control system on your engine for the periods of time listed below, provided there has been no abuse, neglect or improper maintenance of your small off-road engine.

Your emissions control system includes parts such as the carburetor, air cleaner, ignition system, fuel line, muffler and catalytic converter. Also included may be connectors and other emissions related assemblies.

Where a warrantable condition exists, Sears will repair your small off-road engine at no cost to you including diagnosis, parts and labor.

Sears, Roebuck and Co. Emissions Control Defects Warranty Coverage

Small off-road engines are warranted relative to emissions control parts defects for a period of two years, subject to provisions set forth below. If any covered part on your engine is defective, the part will be repaired or replaced by Sears.

Owner's Warranty Responsibilities

As the small off-road engine owner, you are responsible for the performance of the required maintenance listed in your Operating and Maintenance Instructions. Sears recommends that you retain all your receipts covering maintenance on your small off-road engine, but Sears cannot deny warranty solely for the lack of receipts or for your failure to ensure the performance of all scheduled maintenance.

As the small off-road engine owner, you should however be aware that Sears may deny you warranty coverage if your small off-road engine or a part has failed due to abuse, neglect, improper maintenance or unapproved modifications.

You are responsible for presenting your small off-road engine to an Authorized Sears Service Dealer as soon as a problem exists.

The undisputed warranty repairs should be completed in a reasonable amount of time, not to exceed 30 days.

If you have any questions regarding your warranty rights and responsibilities, you should contact a Sears Service Representative at 1-800-469-4663.

The emissions warranty is a defects warranty. Defects are judged on normal engine performance. The warranty is not related to an in-use emissions test.

Sears, Roebuck and Co. Emissions Control Defects Warranty Provisions

The following are specific provisions relative to your Emissions Control Defects Warranty Coverage. It is in addition to the Sears engine warranty for non-regulated engines found in the Operating and Maintenance Instructions.

1. Warranted Parts

Coverage under this warranty extends only to the parts listed below (the emissions control systems parts) to the extent these parts were present on the engine purchased.

- a. Fuel Metering System
 - Cold start enrichment system

- Carburetor and internal parts
- Fuel Pump
- Fuel line, fuel line fittings, clamps
- Fuel tank, cap and tether
- Carbon canister
- b. Air Induction System
 - Air cleaner
 - Intake manifold
 - Purge and vent line
- c. Ignition System
 - Spark plug(s)
 - Magneto ignition system
- d. Catalyst System
 - Catalytic converter
 - Exhaust manifold
 - Air injection system, Pulse valve
- e. Miscellaneous Items
 - Vacuum, temperature, position, time sensitive valves and switches
 - Connectors and assemblies

2. Length of Coverage

Sears warrants to the initial owner and each subsequent purchaser that the Warranted Parts shall be free from defects in materials and workmanship which caused the failure of the Warranted Parts for a period of two years from the date the engine is delivered to a retail purchaser.

3. No Charge

Repair or replacement of any Warranted Part will be performed at no charge to the owner, including diagnostic labor which leads to the determination that a Warranted Part is defective, if the diagnostic work is performed at an Authorized Sears Service Dealer.

4. Claims and Coverage Exclusions

Warranty claims shall be filed in accordance with the provisions of the Sears Engine Warranty Policy. Warranty coverage shall be excluded for failures of Warranted Parts which are not original Sears parts or because of abuse, neglect or improper maintenance as set forth in the Sears Engine Warranty Policy. Sears is not liable to cover failures of Warranted Parts caused by the use of add-on, non-original, or modified parts.

5. Maintenance

Any Warranted Part which is not scheduled for replacement as required maintenance or which is scheduled only for regular inspection to the effect of "repair or replace as necessary" shall be warranted as to defects for the warranty period. Any Warranted Part which is scheduled for replacement as required maintenance shall be warranted as to defects only for the period of time up to the first scheduled replacement for that part. Any replacement part that is equivalent in performance and durability may be used in the performance of any maintenance or repairs. The owner is responsible for the performance of all required maintenance, as defined in the Sears Operating and Maintenance Instructions.

6. Consequential Coverage

Coverage hereunder shall extend to the failure of any engine components caused by the failure of any Warranted Part still under warranty.

In the USA and Canada, a 24-hour hotline, 1-800-469-4663, has a menu of pre-recorded messages offering you product maintenance information.

Emission Information

Engines that are certified to meet the California Air Resources Board (CARB) Emission Standards must display information regarding the Emissions Durability Period and Air Index. The engine manufacturer makes this information available to the consumer on emission labels. The engine emission label will indicate certification information.

The **Emissions Durability Period** describes the number of hours of actual running time for which the engine is certified to be emissions compliant, assuming proper maintenance in accordance with the Operating & Maintenance Instructions. The following categories are used:

Moderate: Engine is certified to be emission compliant for 125 hours of actual engine running time.

Intermediate: Engine is certified to be emission compliant for 250 hours of actual engine running time.

Extended: Engine is certified to be emission compliant for 500 hours of actual engine running time.

For example, a typical walk-behind lawn mower is used 20 to 25 hours per year. Therefore, the **Emissions Durability Period** of an engine with an **intermediate** rating would equate to 10 to 12 years.

Certain engines will be certified to meet the United States Environmental Protection Agency (USEPA) Phase 2 emission standards. For phase 2 certified engines, the Emissions Compliance Period referred to on the Emissions Compliance label indicates the number of operating hours for which the engine has been shown to meet Federal emission requirements.

For engines less than 225 cc displacement:

Category C = 125 hours

Category B = 250 hours

Category A = 500 hours.

For engines of 225 cc or more displacement:

Category C = 250 hours

Category B = 500 hours

Category A = 1000 hours.

TABLA DE CONTENIDOS

GARANTÍA	34	MANTENIMIENTO	46-52
INSTRUCCIONES DE SEGURIDAD	34-36	ALMACENAMIENTO	53-54
CARACTERÍSTICAS Y CONTROLES	37	REPARACION DE DAÑOS REPUESTOS	55
MONTAJE	38-40	GARANTÍA DEL CONTROL DE EMISIONES	56-57
OPERACION	41-45	NOTAS	58-59
ESPECIFICACIONES	46	COMO ORDENAR PARTES	PAGINA POSTERIOR

GARANTÍA

Garantía completa de dos años de la limpiadora a presión Craftsman

Si la limpiadora a presión falla debido a defectos de materiales o mano de obra en el plazo de dos años a partir de la fecha de compra, devuélvala a cualquier almacén Sears, punto de venta de Craftsman o centro de reparación y repuestos de Sears de los Estados Unidos o Canadá para su reparación gratuita o, en caso de que ésta no sea posible, para su sustitución.

El período de garantía se reducirá a 90 días desde la fecha de compra si la limpiadora a presión se utiliza en algún momento con fines comerciales o de alquiler.

Esta garantía le otorga determinados derechos legales y es posible que tenga otros derechos que pueden variar de un país o estado a otro.

Sears, Roebuck and Co., Dept. 817 WA, Hoffman Estates, IL 60179

Sears Canada Inc., Toronto, Ontario, Canada M5B 2B8

INSTRUCCIONES DE SEGURIDAD



Este es el símbolo de alerta de seguridad. Es usado para indicarle situaciones con peligros potenciales de lesión para el personal. Siga las instrucciones de todos los mensajes de seguridad que aparecen después de este símbolo para evitar posibles lesiones o muerte.



Lea este manual minuciosamente y conozca a fondo las partes y el funcionamiento de su máquina limpiadora a presión. Conozca sus aplicaciones, sus limitaciones y los peligros involucrados.

El símbolo de alerta de seguridad (▲) es usado con una palabra (PELIGRO, ADVERTENCIA, PRECAUCIÓN), un mensaje por escrito o una ilustración, para alertarlo acerca de cualquier situación de peligro que pueda existir. **PELIGRO** indica un riesgo el cual, si no se evita, *causará* la muerte o una herida grave. **ADVERTENCIA** indica un riesgo el cual, si no se evita, *puede* causar la muerte o una herida grave. **PRECAUCIÓN** indica un riesgo, el cual, si no se evita, *puede* causar heridas menores o moderadas. **AVISO** indica una situación que podría resultar en el daño del equipo. Siga los mensajes de seguridad para evitar o reducir los riesgos de heridas e inclusive la muerte.


Símbolos de peligro y significados

Gases Tóxicos	Contragolpe	Descarga Eléctrica
Superficies Resbalosas	Caer	Inyección Líquida
Partes en Movimiento	Objetos Voladores	Superficie Caliente
Fuego	Explosión	Manual del Operario

⚠ ADVERTENCIA

El escape del motor de este producto contiene elementos químicos reconocidos en el Estado de California por producir cáncer, defectos de nacimiento u otros daños de tipo reproductivo.

⚠ ADVERTENCIA




Al motor funcionar, se produce monóxido de carbono, un gas inodoro y venenoso.

Respirar monóxido de carbono puede provocar dolor de cabeza, fatiga, mareos, vómitos, confusión, ataques, náuseas, desmayos o incluso la muerte.

Algunas sustancias químicas o los detergentes pueden ser perjudiciales si inhalados o ingeridos, causando la náusea severa, desmayando o para envenenar.

- Opere el limpiadora a presión SOLAMENTE al aire libre.
- Asegúrese de que los gases de escape no puedan entrar por ventanas, puertas, tomas de aire de ventilación u otras aberturas en un espacio cerrado en el que puedan acumularse.
- NO arranque ni deje funcionar el motor en interiores ni en zonas cerradas, aunque haya ventanas y puertas abiertas.
- Utilice un respirador o máscara siempre que exista la posibilidad de inhalar vapores.
- Lea todas las instrucciones de la máscara para asegurarse de que le brindará la protección necesaria contra la inhalación de vapores nocivos.

⚠ ADVERTENCIA




Riesgo de electrocución.

El contacto con los cables eléctricos puede provocar electrocución y quemaduras.

- NUNCA rocíe cerca de una fuente de energía eléctrica.

⚠ ADVERTENCIA




El contacto con la zona del silenciador puede producir quemaduras graves.


Los gases y el calor de escape pueden inflamar los materiales combustibles y las estructuras o dañar el depósito de combustible y provocar un incendio.

- NO toque las superficies calientes y EVITE los gases del escape a alta temperatura.
- Permita que el equipo se enfríe antes de tocarlo.
- Deje un espacio mínimo de 152 cm (5 pies) alrededor del limpiadora a presión, incluida la parte superior.
- El Código de Normativa Federal (CFR, Título 36: Parques, Bosques y Propiedad Pública) obliga a instalar una pantalla apagachispas en los equipos con motor de combustión interno y a mantenerla en buenas condiciones de funcionamiento, conforme a la norma 5100-1C (o posterior) del Servicio Forestal de la USDA. En el Estado de California, la ley exige el uso de una pantalla apagachispas (Sección 4442 del Código de Recursos Públicos de California). En otros estados puede haber leyes similares en vigor.

⚠ ADVERTENCIA



La gasolina y sus vapores son extremadamente inflamables y explosivos.



El fuego o una explosión pueden causar quemaduras severas e inclusive la muerte.

CUANDO ANADA COMBUSTIBLE O VACÍE EL DEPÓSITO

- Apague el limpiadora a presión (posición OFF) y déjelo enfriar al menos por 2 minutos antes de remover la tapa de la combustible. Afloje la tapa lentamente para dejar que la presión salga del tanque.
- Llene o vacíe el depósito de combustible a la intemperie.
- NO llene demasiado el tanque. Permita al menos espacio para la expansión del combustible.
- Si se ha derramado combustible, espere a que se evapore antes de arrancar el motor.
- Mantenga la gasolina alejada de chispas, llamas abiertas, pilotos, calor y otras fuentes de ignición.
- NO encienda un cigarrillo o fume.

CUANDO PONGA EN FUNCIONAMIENTO EL EQUIPO

- Compruebe que la bujía, el silenciador, el tapón del depósito de combustible y el filtro de aire están instalados.
- NO arranque el motor sin la bujía instalada.

CUANDO OPERE EL EQUIPO

- NO incline el motor o el equipo, de tal manera que la gasolina se pueda derramar.
- NO rocíe líquidos inflamables.


CUANDO TRANSPORTE O REPARE EL EQUIPO

- Transporte o repare el equipo con el tanque de combustible vacío, o con la válvula para apagar el combustible, apagada (posición OFF).
- Desconecte el cable de la bujía.

CUANDO ALMACENE O GUARDE EL EQUIPO CON COMBUSTIBLE EN EL TANQUE

- Almacene alejado de calderas, estufas, calentadores de agua, secadoras de ropa u otros aparatos electrodomésticos que posean pilotos u otras fuentes de ignición, porque ellos pueden encender los vapores de la combustible.


⚠ ADVERTENCIA





El retroceso (repliegue rápido) del cable del arrancador puede producir lesiones. El retroceso impedirá que el usuario suelte el cable a tiempo y tirará de su mano y brazo hacia el motor.


Como resultado, podrían producirse fracturas, contusiones o esguinces.

- NUNCA tire del cable del arrancador sin eliminar previamente la presión de la pistola rociadora.
- Cuando arranque el motor, tire lentamente del cable hasta sentir una resistencia y, a continuación, tire rápidamente de él para evitar su retroceso.
- Después que cada tentativa que empieza, donde motor falla de correr, siempre señalar el fusil en la dirección segura, presione el seguro (botón rojo) y el disparador del fusil del rocío del estrujón para liberar la presión alta.
- Sujete firmemente la pistola rociadora con ambas manos cuando aplique un rocío a alta presión para evitar lesiones cuando se produzca el retroceso de la pistola.

⚠ ADVERTENCIA	
	<p>El chorro de agua a alta presión que este equipo produce, puede atravesar la piel y los tejidos subcutáneos, provocando lesiones de gravedad que podrían dar lugar a la amputación de un miembro. La pistola rociadora contiene agua a alta presión incluso con el motor parado y el agua desconectada, que puede causar la herida.</p>
<ul style="list-style-type: none"> • NO permita en ningún momento que NIÑOS operen la máquina limpiadora a presión. • NUNCA repare la manguera de alta presión. Reemplacela. • NUNCA utilice ningún tipo de sellador para reparar una fuga en una conexión. Sustituya la junta tórica o la junta. • NUNCA conecte la manguera de alta presión al prolongador de la boquilla. • Mantenga conectada la manguera a la máquina o a la pistola de rociado cuando el sistema esté presurizado. • SIEMPRE que pare el motor, apunte con la pistola rociadora hacia una dirección segura Presione el seguro (botón rojo) y apriete el gatillo para descargar la presión y evitar el retroceso. • NUNCA apunte la pistola a la gente, animales o plantas. • NO fije la pistola rociadora en la posición abierta. • NO abandone la pistola rociadora cuando la máquina esté en funcionamiento. • NUNCA utilice una pistola rociadora cuyo seguro o protección para el gatillo no esté en perfecto estado de funcionamiento. • Asegúrese en todo momento de conectar correctamente la pistola rociadora, las boquillas y los accesorios. 	

⚠ ADVERTENCIA	
	<p>El arrancador y otras piezas que rotan pueden enredar las manos, el pelo, la ropa, o los accesorios.</p>
<ul style="list-style-type: none"> • NUNCA utilice la limpiadora a presión sin sus carcasas o tapas de protección. • NO use ropa suelta, joyas o elementos que puedan quedar atrapados en el arranque o en otras partes rotatorias. • Ate para arriba el pelo largo y quite la joyería. 	

⚠ ADVERTENCIA	
	<p>Chispear involuntario puede tener como resultado el fuego o el golpe eléctrico.</p>
<p>CUANDO AJUSTE O HAGA REPARACIONES A SU MÁQUINA LIMPIADORA A PRESIÓN</p> <ul style="list-style-type: none"> • Siempre desconecte el alambre de la bujía y colóquelo donde no pueda entrar en contacto con la bujía. <p>CUANDO PRUEBE LA BUJÍA DEL MOTOR</p> <ul style="list-style-type: none"> • Utilice un comprobador de bujías homologado. • NO compruebe la chispa sin la bujía instalada. 	

⚠ ADVERTENCIA	
	<p>El uso de limpiadora a presión puede crear los charcos y superficies resbalosas. El retroceso de la pistola rociadora puede provocar caídas.</p>
<ul style="list-style-type: none"> • Utilice la limpiadora a presión desde una superficie estable. • El área de limpieza deberá tener inclinaciones y drenajes adecuados para disminuir la posibilidad de caídas debido a superficies resbalosas. • Extreme las precauciones si necesita utilizar la limpiadora a presión desde una escalera, un andamio u otro lugar similar. • Sujete firmemente la pistola rociadora con ambas manos cuando aplique un rociado a alta presión para evitar lesiones cuando se produzca el retroceso de la pistola. 	

⚠ ADVERTENCIA	
	<p>Riesgo de lesiones oculares. El agua rociada puede salpicar o propulsar objetos.</p>
<ul style="list-style-type: none"> • Utilice siempre gafas de protección cuando utilice este equipo o si se encuentra cerca de donde se está utilizando. • Antes de poner en marcha la limpiadora a presión, asegúrese de llevar gafas de protección adecuadas. • Utilice SIEMPRE las gafas de seguridad apropiadas. 	

AVISO	
<p>El rociado de alta presión puede dañar elementos frágiles, incluyendo el vidrio.</p>	
<ul style="list-style-type: none"> • NO apunte la pistola rociadora hacia un cristal cuando utilice la punta de rocío de roja de 0°. • NUNCA apunte la pistola a plantas. 	

AVISO	
<p>El tratamiento inadecuado del limpiadora a presión puede dañarlo y acortar su vida productiva.</p>	
<ul style="list-style-type: none"> • Si usted tiene alguna pregunta acerca de las finalidades de uso del generador, pregúntele a su concesionario o contacte a Sears. • NUNCA deberán ser operadas las unidades con partes rotas o ausentes, o sin la caja o cubiertas de protección. • NO eluda ningún dispositivo de seguridad de esta máquina. • NO intente alterar la velocidad controlada. • NO utilice la limpiadora a presión por encima de su presión nominal. • NO haga ninguna modificación en la limpiadora a presión. • Antes de poner en marcha la máquina limpiadora a presión en clima frío, revise todas las partes del equipo y asegúrese de que no se haya formado hielo sobre ellas. • NUNCA mueva la máquina halando la manguera de alta presión. Utilice la manija que viene con la unidad. • Revise que el sistema de combustible no presente fugas o signos de deterioro, como mangueras desgastadas o porosas, sujetadores flojos o ausentes, tapa o tanque dañados. Corrija todos los defectos antes de operar la máquina limpiadora a presión. • El equipo de alta presión está diseñado para ser utilizado ÚNICAMENTE con las partes autorizadas Sears. Si utiliza este equipo con partes que no cumplan con las especificaciones mínimas, el usuario asume todos los riesgos y responsabilidades. 	

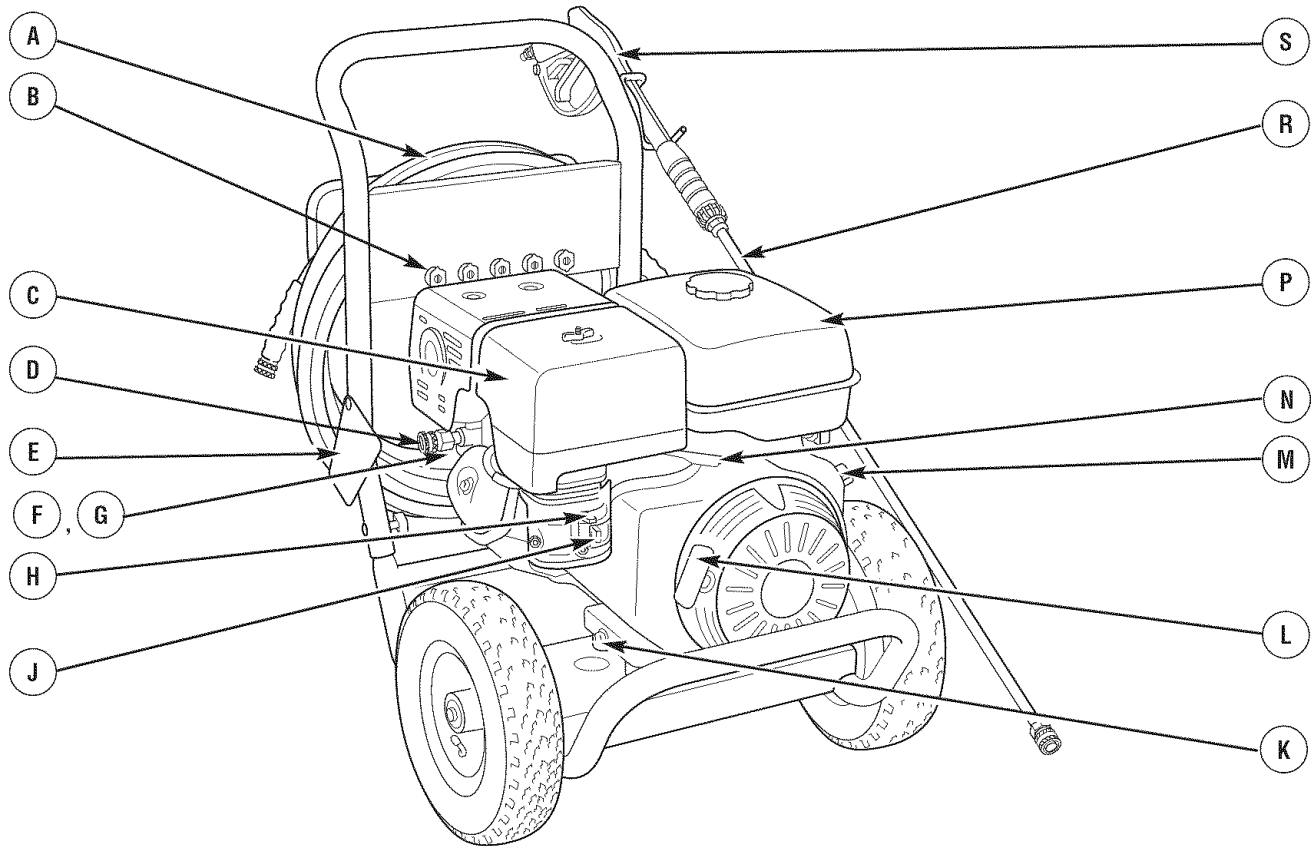
CARACTERÍSTICAS Y CONTROLES

CONOZCA SU MAQUINA LIMPIADORA A PRESIÓN



Lea el Manual del Operario y las reglas de seguridad antes de poner en marcha su limpiadora a presión.

Compare las ilustraciones con su limpiadora a presión para familiarizarse con las ubicaciones de los diferentes controles y ajustes. Guarde este manual para referencias futuras.



A - Manguera de alta presión — Conecte un extremo a la pistola de rociado y el otro extremo a la toma de alta presión.

B - Puntas de rocío — Detergente, 0°, 15°, 25°, 40°: para diferentes aplicaciones de limpieza de alta presión.

C - Filtro de aire — El elemento de filtro tipo seco limita la cantidad de suciedad y polvo que se introduce en el motor.

D - Toma de alta presión — Conexión para la manguera de alta presión.

E - Etiqueta de advertencia e instrucciones — Identifica los riesgos e indica el procedimiento adecuado de arranque o parada de la limpiadora a presión.

F - Bomba — Suministra agua a alta presión.

G - Sistema de enfriamiento automático — Cuando el agua alcanza los 51°-68° C (125°-155° F), el sistema se activa y enfría la bomba descargando agua caliente en el piso. Este sistema evita que el interior de la bomba se dañe.

H - Palanca estranguladora — Enfría el motor para arrancarlo.

J - Válvula de combustible — Se utiliza para abrir y cerrar la alimentación de combustible al motor.

K - Tapón de Vaciado de Aceite — Permite vaciar el aceite del motor.

L - Arrancador de retroceso — Se utiliza para arrancar manualmente el motor.

M - Interruptor de arranque — Ponga el interruptor en la posición "On" (Encendido) para realizar un arranque por retroceso.

Ponga el interruptor en la posición "Off" (Apagado) para parar el motor cuando está funcionando.

N - Palanca del acelerador — Activa el modo de arranque del motor para poder utilizar el arrancador de retroceso.

P - Tanque de combustible — Llene el tanque con gasolina regular sin contenido de plomo en este punto. Siempre deje el espacio suficiente como para que el combustible se expanda.

R - Extensión para boquillas con conexión rápida — Le permite usar cinco puntas de rocío diferentes.

S - Pistola de rociado con conexión rápida — Controla la aplicación de agua sobre la superficie de limpieza con el gatillo. Incluye cerrojo de seguridad.

No mostrado:

Entrada de agua — Conexión para la manguera de jardín.

Etiqueta de datos (parte trasera cercana a la placa de base) — Proporciona el modelo y el número de serie de la limpiadora a presión. Tenga estos datos a la mano cuando solicite ayuda.

Gafas de protección — Use siempre las gafas suministradas para usar la limpiadora a presión.

Perilla de control de la presión — Varía la presión de rociado de la presión.

Tapón de llenado de aceite/varilla de nivel — Compruebe aquí el nivel de aceite y añada aceite cuando sea necesario.

Tubo/filtro de inyección de detergente — úselo para inyectar el detergente con seguridad en el circuito de baja presión.

MONTAJE

Su máquina limpiadora a presión requiere de cierto ensamble y estará lista para ser usada únicamente después de haber depositado el combustible y el aceite recomendado.

Si tiene problemas con el ensamble de su máquina limpiadora a presión, llame a la línea de ayuda de la máquina limpiadora a presión al 1-800-222-3136.

Desembale la limpiadora a presión

1. Saque todo el contenido de la caja de cartón, a excepción de la limpiadora a presión.
2. Abra completamente la caja de cartón cortando cada una de sus esquinas de arriba abajo.
3. Saque la limpiadora a presión de la caja de cartón.

Contenido de la caja

Revise el contenido de la caja. Si alguna de las partes no está presente o está dañada, llame a la línea de ayuda de la máquina limpiadora a presión al **1-800-222-3136**.

- La unidad principal
- Manubrio
- La manguera de alta presión
- Pistola de rociado
- Extensión de la lanza con las piezas de conexión rápida
- Aceite para motor
- Bolsa de accesorios (incluye lo siguiente):
 - Manual del propietario
 - Tarjeta de registro del propietario
 - Bolsa con 5 lanzas de conexiones rápidas multicolores
 - Piezas para la manubrio (incluye lo siguiente):
 - Perno del Soporte (2)
 - Perilla Plástica (2)

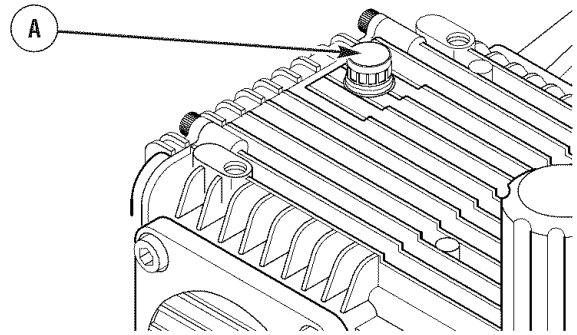
Familiarícese con cada parte antes de ensamblar la máquina limpiadora a presión. Compare el contenido con la ilustración de la página 35. Si alguna de las partes **NO** está presente o se encuentra dañada, llame a la línea de ayuda de la máquina limpiadora a presión al **1-800-222-3136**.

MONTAJE DE LA MAQUINA LAVADORA A PRESION

La gran mayoría de su máquina limpiadora a presión Craftsman ha sido ensamblada en la fábrica. Sin embargo, usted deberá llevar a cabo los siguientes procedimientos antes de poner en funcionamiento su máquina limpiadora a presión:

1. Llame y mande en tarjeta de matrícula.
2. Fijar el manubrio.
3. Deposite aceite en la caja del cigüeñal del motor.
4. Deposite combustible en el tanque.

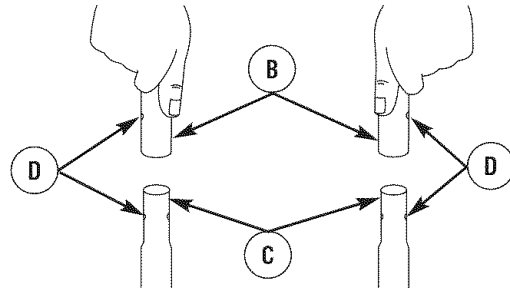
5. Verifique la varilla para el aceite (A) es instale en la bomba.



6. Conecte la manguera de alta presión a la pistola de rociado y a la bomba.
7. Conecte el suministro de agua a la bomba.
8. Conecte boquilla la extensión al pistola rociadora.
9. Selecto/conecta rápido conecta boquilla a la extensión de la boquilla.

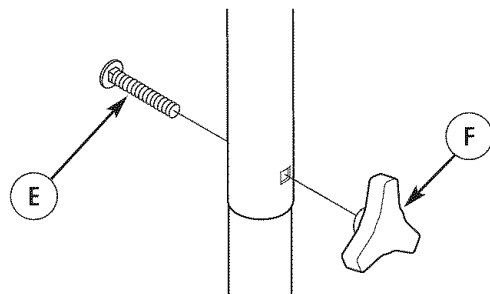
Fijar el manubrio

1. Coloque el manubrio (B) sobre los soportes del manubrio (C) que ya se encuentran conectados a la unidad principal. Asegúrese de que los orificios en el manubrio (D) estén alineados con los orificios en los soportes del manubrio (D).



NOTA: Tal vez sea necesario mover los soportes del manubrio de un lado a otro para alinear el manubrio de tal manera que pueda deslizarse sobre los soportes del mismo manubrio.

2. Inserte el perno del soportes (E) a través del orificios del manubrio y fije la perillas de plástico (F). Apriete la perillas manualmente.



3. Inserte las puntas de rociado multicolores en los espacios provistos en la manecilla.

Agregue aceite de motor

1. Coloque la limpiadora a presión en una superficie plana y nivelada.
2. Limpie la zona de alrededor del orificio de llenado de aceite y quite el tapón.

NOTA: Consulte la sección *Aceite*, para ver las recomendaciones relativas al aceite. Compruebe que la botella de aceite suministrada tiene la viscosidad adecuada para la temperatura ambiente actual.

3. Con la ayuda de un embudo (opcional), vierta lentamente el contenido de las dos botellas de aceite por el orificio de llenado hasta el punto de desbordamiento.

AVISO

El tratamiento inadecuado del limpiadora a presión puede dañarlo y acortar su vida productiva.

- NO procure acodar ni empezar el motor antes ha sido atendido a apropiadamente con el aceite recomendado. Esto puede tener como resultado una avería del motor.

4. Vuelva a colocar el tapón y apriételo firmemente.

Agregue gasolina

ADVERTENCIA



La gasolina y sus vapores son extremadamente inflamables y explosivos.

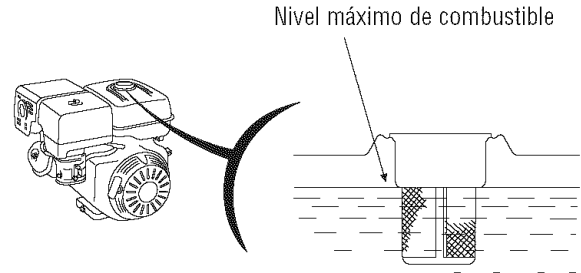


El fuego o una explosión pueden causar quemaduras severas e inclusive la muerte.

CUANDO ANADA COMBUSTIBLE EL DEPÓSITO

- Apague el limpiadora a presión (posición OFF) y déjelo enfriar al menos por 2 minutos antes de remover la tapa de la combustible. Afloje la tapa lentamente para dejar que la presión salga del tanque.
- Llene el depósito de combustible a la intemperie.
- NO llene demasiado el tanque. Permita al menos espacio para la expansión del combustible.
- Si se ha derramado combustible, espere a que se evapore antes de arrancar el motor.
- Mantenga la gasolina alejada de chispas, llamas abiertas, pilotos, calor y otras fuentes de ignición.
- NO encienda un cigarrillo o fume.

1. Utilice gasolina normal sin plomo, limpia y nueva con un mínimo de 86 octanos. NO mezcle aceite con combustible.
2. Limpie el área alrededor de la tapa de llenado del combustible, retire la tapa.
3. Agregue lentamente gasolina regular "SIN PLOMO" al tanque de combustible. Use un embudo para evitar que se derrame. Llene el tanque lentamente hasta aproximadamente 1" por debajo de la parte la cima del cuello del tubo de llenado.



3. Instale la tapa del tanque de combustible y la espera para algún combustible rociado para evaporar.

¡PRECAUCIÓN! Los combustibles con mezcla de alcohol (gasohol, etanol o metanol) pueden atraer la humedad y provocar la separación y formación de ácidos durante el almacenamiento. Los gases ácidos pueden dañar el circuito de combustible y el motor durante el almacenamiento.

Para evitar este tipo de problemas, vacíe el circuito de combustible cuando vaya a almacenar la unidad durante 30 días o más. Vacíe el depósito de combustible, arranque el motor y déjelo funcionar hasta que los conductos de combustible y el carburador queden vacíos. Utilice combustible nuevo la próxima temporada. Para obtener más información al respecto, consulte *Almacenamiento*.

NUNCA utilice productos limpiadores para motores o carburadores en el depósito de combustible, ya que podrían provocar daños permanentes.

Conecte la manguera y el suministro de agua a la bomba

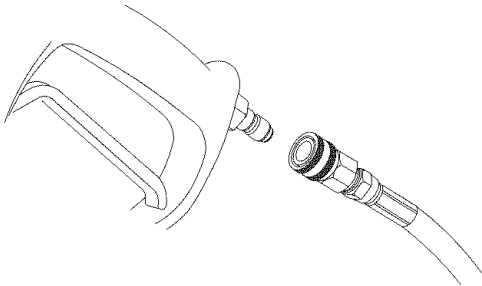
NOTA: Antes de conectar las mangueras, retire y deseche los tapones de transporte de la salida de alta presión y de la entrada de agua de la bomba.

AVISO

NO haga funcionar la bomba si no tiene el suministro conectado y abierto.

- El daño a la limpiadora a presión, resultado de la desatención a esta precaución, no será cubierto por la garantía.

1. Retroceda la manguera a alta presión y conecte el extremo de la conexión rápida de la manguera a la base de la pistola rociadora. Hale el collar de la conexión rápida, deslícelo en la pistola rociadora y suelte el collar. Hálo en la manguera para asegurarse de que este conectado firmemente.



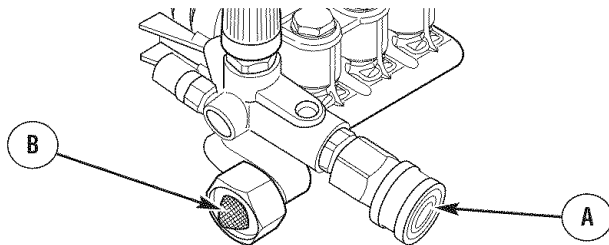
⚠️ ADVERTENCIA



El chorro de agua a alta presión que este equipo produce, puede atravesar la piel y los tejidos subcutáneos, provocando lesiones de gravedad que podrían dar lugar a la amputación de un miembro.

- NUNCA conecte la manguera de alta presión al prolongador de la boquilla.
- Mantenga conectada la manguera a la máquina o a la pistola de rociado cuando el sistema esté presurizado.
- Asegúrese en todo momento de conectar correctamente la pistola rociadora, las boquillas y los accesorios.

2. De la misma manera, conecte el otro extremo de la manguera a alta presión, a la salida de alta presión (A) de la bomba. Hale el collar de la conexión rápida, deslícelo en la bomba y suelte el collar. Hale la manguera para asegurarse que esta bien conectada.



3. Antes de que conecte la manguera de jardín a la entrada de agua, inspeccione el colador de la entrada (B). Limpie el colador si tiene residuos o solicite su remplazo si está dañado. **NO haga funcionar la limpiadora a presión si el filtro de entrada falta o está dañado.**

4. Haga correr el agua a través de la manguera de su jardín por 30 segundos para limpiar cualquier escombros que se encuentre en ella. Desconecte el agua.

IMPORTANTE: Hace NO agua de parar de siphon para el abastecimiento de agua. Use agua SOLO fría (menos que 100°F).

AVISO

El uso de una válvula unidireccional (igualador de presión o válvula de retención) en la entrada de la bomba puede producir daños en la bomba o en el conector de entrada.

- DEBE haber un mínimo de 3 metros (5 pies) de manguera de riego libre entre la entrada de la limpiadora a presión y cualquier dispositivo, como un igualador de presión o una válvula de retención).
- El daño a la limpiadora a presión, resultado de la desatención a esta precaución, no será cubierto por la garantía.

5. Conecte la manguera de jardín (no exceder 50 pies en la longitud) a la entrada del agua. Apriete con la mano.

⚠️ ADVERTENCIA

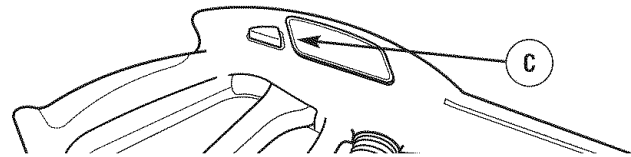


Riesgo de lesiones oculares.

El agua rociada puede salpicar o propulsar objetos.

- Utilice siempre gafas de protección cuando utilice este equipo o si se encuentra cerca de donde se está utilizando.
- Antes de poner en marcha la limpiadora a presión, asegúrese de llevar gafas de protección adecuadas.
- Utilice SIEMPRE las gafas de seguridad apropiadas.

6. ABRA el agua, apunte con la pistola hacia una dirección segura presione el seguro (botón rojo) (C) y apriete el gatillo para eliminar el aire y las impurezas del sistema de bombeo.



Lista de revisión previa al arranque del motor

Revise la unidad para asegurarse que ha llevado a cabo los siguientes procedimientos:

1. Asegúrese de leer las secciones *Reglas de Seguridad y Operación* antes de usar el limpiadora a presión.
2. Cerciórese el manecilla es seguro.
3. Asegúrese de que el tapón de transporte se ha quitado y de que la varilla de nivel de aceite se ha instalado en la bomba.
4. Revise que haya sido depositado aceite y esté al nivel correcto en la caja del cigüeñal del motor.
5. Deposite la gasolina adecuada en el tanque del combustible.
6. Revise que todas las conexiones de las mangueras (alta presión y suministro de agua) estén apretadas correctamente y que no existan dobleces, cortes o daño de la manguera de alta presión.
7. Proporcione el suministro de agua adecuado (que no exceda los 100°F).


OPERACION

CÓMO USAR SU MÁQUINA LIMPIADORA A PRESIÓN

Si tiene problemas con el funcionamiento de su máquina limpiadora a presión, por favor llame a la línea de ayuda de la máquina limpiadora a presión al **1-800-222-3136**.

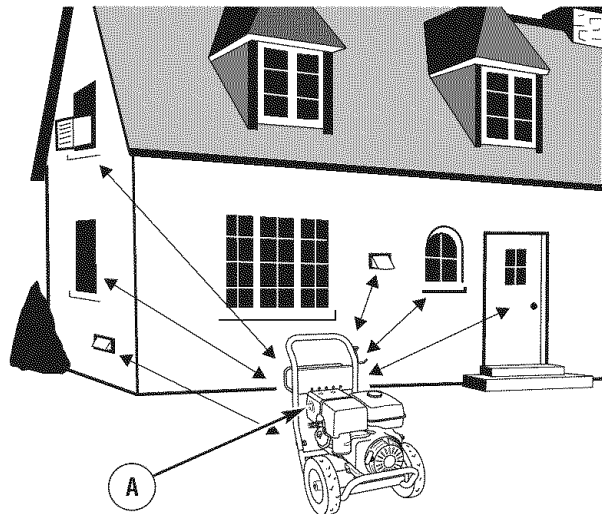
Ubicación del limpiadora a presión

Espacio libre alrededor del limpiadora a presión

 ADVERTENCIA	
	Los gases y el calor de escape pueden inflamar los materiales combustibles y las estructuras o dañar el depósito de combustible y provocar un incendio.
<ul style="list-style-type: none">• Deje un espacio mínimo de 152 cm (5 pies) alrededor del limpiadora a presión, incluida la parte superior.	

Coloque la limpiadora a presión a la intemperie en una zona en donde no se acumulen gases de escape mortales. Asegúrese de que los gases de escape (A) no puedan entrar por ventanas, puertas, tomas de aire de ventilación u otras aberturas en un espacio cerrado en el que puedan acumularse. Tenga en cuenta los vientos y las corriente de aire preponderantes cuando elija la ubicación del limpiadora a presión.

 ADVERTENCIA	
	Al motor funcionar, se produce monóxido de carbono, un gas inodoro y venenoso. Respirar monóxido de carbono puede provocar dolor de cabeza, fatiga, mareos, vómitos, confusión, ataques, náuseas, desmayos o incluso la muerte.
<ul style="list-style-type: none">• Opere el limpiadora a presión SOLAMENTE al aire libre.• Asegúrese de que los gases de escape no puedan entrar por ventanas, puertas, tomas de aire de ventilación u otras aberturas en un espacio cerrado en el que puedan acumularse.• NO arranque ni deje funcionar el motor en interiores ni en zonas cerradas, aunque haya ventanas y puertas abiertas.	



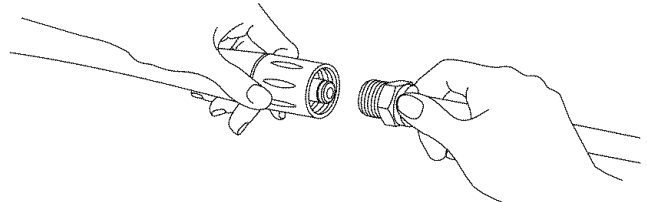
Cómo darle arranque a su máquina limpiadora a presión

Para darle arranque a su máquina limpiadora a presión movida a motor por primera vez, siga estas instrucciones paso a paso. Esta información acerca del arranque inicial también se aplica cuando vaya a darle arranque al motor después de haber dejado de la máquina limpiadora a presión fuera de uso por al menos un día.

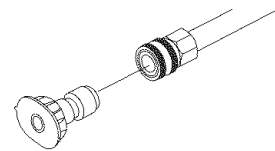
1. Coloque la máquina limpiadora a presión en un área cercana a una suministro de agua exterior capaz de abastecer agua a un volumen mayor de 5.0 galones por minuto en no menos que 20 PSI en el fin de arandela de presión de la manga del jardín.
2. Revise que la manguera de alta presión se encuentre conectada firmemente a la pistola de rociado y a la bomba. Vea *Montaje*.
3. Asegúrese que la unidad esté nivelada.
4. Conecte la manguera de jardín a la entrada del agua. Aprieta con la mano.

AVISO	
NO haga funcionar la bomba si no tiene el suministro conectado y abierto.	
<ul style="list-style-type: none">• El daño a la limpiadora a presión, resultado de la desatención a esta precaución, no será cubierto por la garantía.	

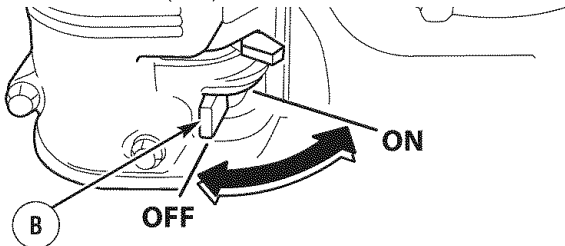
5. Abra el agua, apunte con la pistola hacia una dirección segura presione el seguro (botón rojo) y apriete el gatillo para eliminar el aire y las impurezas del sistema de bombeo.
6. Acople la boquilla de extensión a la pistola aspersora. Apriétela manualmente.



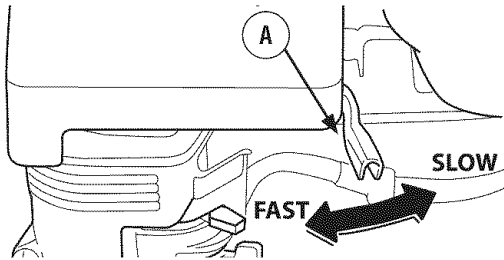
7. Seleccione la puntas de rocío de conexión rápida que usted desee e insértela en el extremo de la extensión de la lanza. Vea *Como Usar las Puntas de Rocío*.



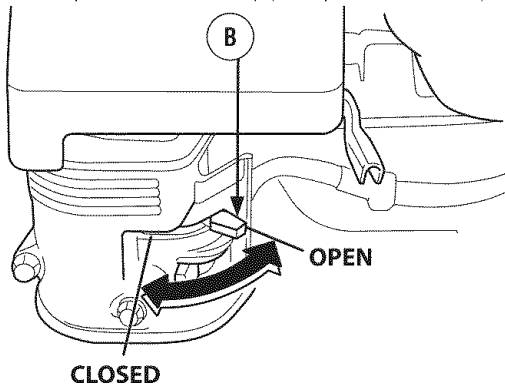
8. Sitúe la palanca de la válvula de combustible (B) en la posición "Encendido" ("On").



9. Sitúe la palanca del acelerador (A) en la posición "Rápido" ("Fast"), que se distingue con la figura de un conejo.

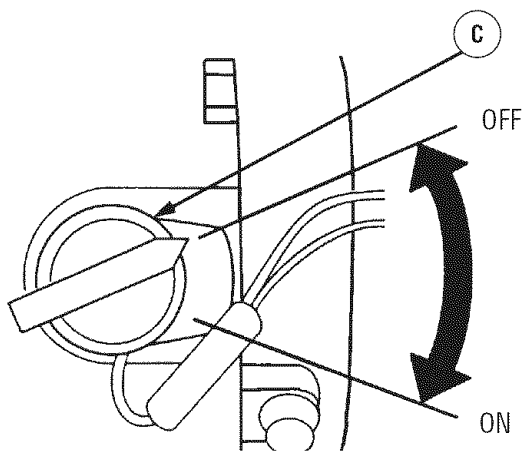


10. Mueva la perilla del cebador (B) a la posición "Cerró" ("Closed").



NOTA: En el caso de que el motor esté caliente, asegúrese de que la perilla del cebador se encuentre en la posición "Abra" ("Open").

11. Sitúe el interruptor de arranque (C) en la posición "On" (Encendido).



IMPORTANTE: Antes de poner en marcha la limpiadora a presión, asegúrese de llevar gafas de protección adecuadas.



⚠ ADVERTENCIA	
	Riesgo de lesiones oculares. El agua rociada puede salpicar o propulsar objetos.
<ul style="list-style-type: none"> • Utilice siempre gafas de protección cuando utilice este equipo o si se encuentra cerca de donde se está utilizando. • Antes de poner en marcha la limpiadora a presión, asegúrese de llevar gafas de protección adecuadas. • Utilice SIEMPRE las gafas de seguridad apropiadas. 	

12. Cuando arranque el motor, colóquese en la posición que se recomienda a continuación. Sujete la manija y hale ligeramente la manija del arranque hasta que sienta cierta resistencia. Después hálala rápidamente.



⚠ ADVERTENCIA	
	El retroceso (repliegue rápido) del cable del arrancador puede producir lesiones. El retroceso impedirá que el usuario suelte el cable a tiempo y tirará de su mano y brazo hacia el motor. Como resultado, podrían producirse fracturas, contusiones o esguinces.
<ul style="list-style-type: none"> • NUNCA tire del cable del arrancador sin eliminar previamente la presión de la pistola rociadora. • Cuando arranque el motor, tire lentamente del cable hasta sentir una resistencia y, a continuación, tire rápidamente de él para evitar su retroceso. • Después de cada tentativa que empieza, donde motor falla de correr, siempre señalar el fusil en la dirección segura, presione el seguro (botón rojo) y el disparador del fusil del rocío del estrujón para liberar la presión alta. • Sujete firmemente la pistola rociadora con ambas manos cuando aplique un rociado a alta presión para evitar lesiones cuando se produzca el retroceso de la pistola. 	

13. Jale la cuerda de arranque lentamente. NO permita que la cuerda regrese bruscamente en contra del arrancador.
14. Cuando arranque el motor, mueva lentamente la perilla del cebador a la posición "Abra" ("Open"). Si el motor falla, mueva la perilla del cebador a la posición "Cerró" ("Closed"), y después a la posición "Abra" ("Open").
15. Si los fuegos de motor, pero no continúa correr, siempre señalar el fusil en la dirección segura, presione el seguro (botón rojo) y el disparador del fusil del rocío del estrujón para liberar la presión alta. Mueva la perilla del cebador a la posición "Abra" ("Open"), y repite los pasos 12 por 14.
16. Si el motor no arranca después de 6 tirones, mueva la perilla del cebador a la posición "Abra" ("Open"), y repite los pasos 12 por 14.



 ADVERTENCIA	
	<p>El chorro de agua a alta presión que este equipo produce, puede atravesar la piel y los tejidos subcutáneos, provocando lesiones de gravedad que podrían dar lugar a la amputación de un miembro. La pistola rociadora contiene agua a alta presión incluso con el motor parado y el agua desconectada, que puede causar la herida.</p>
<ul style="list-style-type: none"> • NO permita en ningún momento que NIÑOS operen la máquina limpiadora a presión. • Mantenga conectada la manguera a la máquina o a la pistola de rociado cuando el sistema esté presurizado. • NUNCA apunte la pistola a la gente, animales o plantas. • NO fije la pistola rociadora en la posición abierta. • NO abandone la pistola rociadora cuando la máquina esté en funcionamiento. • NUNCA utilice una pistola rociadora cuyo seguro o protección para el gatillo no esté en perfecto estado de funcionamiento. • Asegúrese en todo momento de conectar correctamente la pistola rociadora, las boquillas y los accesorios. 	

 ADVERTENCIA	
	<p>El contacto con la zona del silenciador puede producir quemaduras graves.</p>
	<p>Los gases y el calor de escape pueden inflamar los materiales combustibles y las estructuras o dañar el depósito de combustible y provocar un incendio.</p>
<ul style="list-style-type: none"> • NO toque las superficies calientes y EVITE los gases del escape a alta temperatura. • Permita que el equipo se enfríe antes de tocarlo. • Deje un espacio mínimo de 152 cm (5 pies) alrededor del limpiadora a presión, incluida la parte superior. • El Código de Normativa Federal (CFR, Título 36: Parques, Bosques y Propiedad Pública) obliga a instalar una pantalla apagachispas en los equipos con motor de combustión interno y a mantenerla en buenas condiciones de funcionamiento, conforme a la norma 5100-1C (o posterior) del Servicio Forestal de la USDA. En el Estado de California, la ley exige el uso de una pantalla apagachispas (Sección 4442 del Código de Recursos Públicos de California). En otros estados puede haber leyes similares en vigor. 	

NOTA: Siempre mantenga la palanca del acelerador en el "Rápido" ("Fast") posición cuando operar la arandela de la presión.


Cómo detener su máquina limpiadora a presión

1. Espere que el motor descanse.
2. Sitúe la palanca del acelerador en la posición "Slow" (**Lento**), indicada con una tortuga.
3. Mueva la interruptor de arranque a la posición "Off" ("**Lejos**").
4. Sitúe la palanca de la válvula de combustible en la posición "Off" ("**Lejos**").

 ADVERTENCIA	
	<p>El motor podría petardear, incendiarse o dañarse.</p>
<ul style="list-style-type: none"> • NO coloque la palanca estranguladora en la posición "Closed" para parar el motor. 	

5. SIEMPRE fusil de punto en una dirección segura, presione el seguro (botón rojo) y el disparador del fusil del rocío del estrujón para liberar la presión retenida de la pleamar.

IMPORTANTE: La pistola rociadora contiene agua a alta presión incluso con el motor parado y el agua desconectada.

 ADVERTENCIA	
	<p>El chorro de agua a alta presión que este equipo produce, puede atravesar la piel y los tejidos subcutáneos, provocando lesiones de gravedad que podrían dar lugar a la amputación de un miembro. La pistola rociadora contiene agua a alta presión incluso con el motor parado y el agua desconectada, que puede causar la herida.</p>
<ul style="list-style-type: none"> • Mantenga conectada la manguera a la máquina o a la pistola de rociado cuando el sistema esté presurizado. • SIEMPRE que pare el motor, apunte con la pistola rociadora hacia una dirección segura, presione el seguro (botón rojo) y apriete el gatillo para descargar la presión y evitar el retroceso. 	

Cómo usar las puntas de rocío

La extensión para boquillas de conexión rápida le permite usar cinco puntas de rocío diferentes. Siempre que esté activado el seguro del gatillo de la pistola rociadora, se pueden cambiar las puntas de rocío con la limpiadora a presión en funcionamiento. Las puntas de rocío tienen diferentes patrones de rociado como se ilustra a continuación.

Para cambiar las puntas de rocío:

1. Desplace hacia atrás el anillo de conexión rápida y tire de las puntas de rocío. Guarde las puntas de rocío en el soporte situado en el manubrio.


 ADVERTENCIA	
	El chorro de agua a alta presión que este equipo produce, puede atravesar la piel y los tejidos subcutáneos, provocando lesiones de gravedad que podrían dar lugar a la amputación de un miembro.
<ul style="list-style-type: none">• NUNCA intercambie puntas de rocío sin haber asegurado el cerrojo de seguridad del gatillo.• NO tuerza las puntas de rocío al rociar.	

2. Seleccione la punta de rocío deseada:
 - Para enjuague suave, seleccione la punta de rocío blanca de 40° o verde de 25°.
 - Para fregar la superficie, seleccione la punta de rocío amarilla de 15° o roja de 0°.
 - Para aplicar productos detergentes, seleccione la punta de rocío negra.
3. Desplace hacia atrás el anillo, inserte la nueva punta de rocío y suelte el anillo. Tire de la punta de rocío para comprobar que está bien montada.

Sugerencias de uso

- Para una limpieza más efectiva, mantenga la boquilla de rociado de 20 a 61 cm (8 a 24 pulgadas) de la superficie de limpieza.
- Si coloca la boquilla de rociado demasiado cerca podría dañar la superficie, especialmente cuando esté usando el modo de alta presión.
- NO coloque la boquilla a menos de 15 cm (6 pulgadas) cuando esté limpiando llantas.

Limpieza y aplicación del detergente

 PRECAUCIÓN	
Los productos químicos pueden provocar lesiones de gravedad y/o daños materiales.	
<ul style="list-style-type: none">• NUNCA utilice líquidos cáusticos con la limpiadora a presión.• Use EXCLUSIVAMENTE detergentes o jabones especiales para la limpiadora a presión. Siga todas las instrucciones del fabricante.	

Para aplicar el detergente, siga los siguientes pasos:

1. Revise el uso de las puntas de rocío.
2. Prepare la solución detergente siguiendo las instrucciones del fabricante.
3. Coloque el extremo pequeño del filtro del tubo de inyección de detergente dentro del contenedor del detergente.

NOTA: Asegúrese de que el filtro esté totalmente sumergido mientras aplica el detergente.

AVISO	
El contacto con el silenciador a alta temperatura puede producir daños en el tubo de inyección de detergente.	
<ul style="list-style-type: none">• Cuando coloque el filtro en la botella del detergente, coloque el tubo de manera que no entre en contacto accidentalmente con el silenciador caliente.	

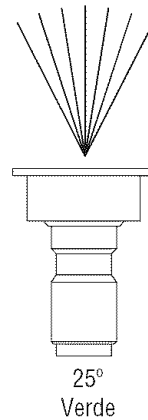
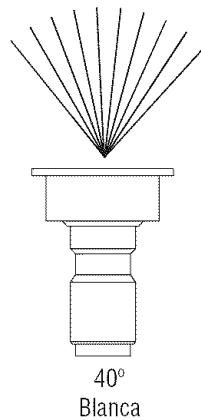
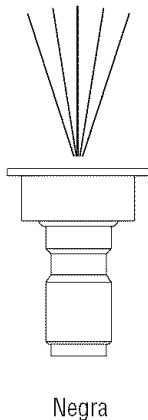
4. Asegúrese de que la punta de rocío negra esté instalada en la extensión para boquillas.

NOTA: NO se puede aplicar detergente con las puntas de rocío de alta presión (Blanca, Verde, Amarilla o Roja).

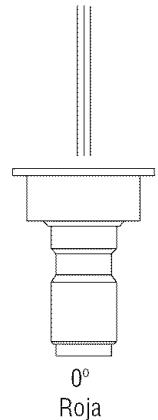
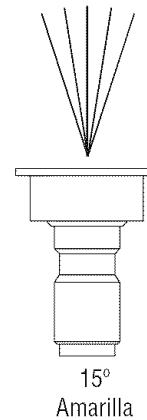
4. Asegúrese de que la manguera del jardín está conectada a la entrada de agua. Compruebe que la manguera de alta presión está conectada a la pistola rociadora y a la bomba. Abra la alimentación de agua.

AVISO	
Usted deberá conectar todas las mangueras antes de darle arranque al motor.	
<ul style="list-style-type: none">• Arrancar el motor sin tener todas las mangueras conectadas y sin el suministro de agua ABIERTO (ON) causará el daño de la bomba.• El daño a la limpiadora a presión, resultado de la desatención a esta precaución, no será cubierto por la garantía.	

La Presión Baja Usada para aplicar químicos



La Presión Alta





5. Marche el motor siguiendo las instrucciones de la sección *Cómo poner en funcionamiento la limpiadora a presión*.
6. Aplique el detergente sobre la superficie seca, comenzando en la parte inferior del área y dirigiéndose hacia arriba, utilizando movimientos largos, parejos y superpuestos.
7. Permita que el detergente penetre de 3 a 5 minutos antes de enjuagar. Vuelva a aplicar cuando sea necesario para evitar que la superficie se seque. NO permita que el detergente se seque. Si permite que el detergente se seque, la superficie podría quedar con manchas.

IMPORTANTE: Usted deberá lavar el sistema de inyección de químicos después de cada uso colocando el filtro en un balde de agua limpia y haciendo funcionar la máquina limpiadora a presión de 1 a 2 minutos en el modo de baja presión.

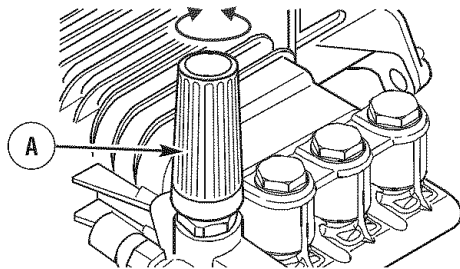
Enjuague de la máquina limpiadora a presión

Para Enjuague:

1. Retire la punta de rocío negra para detergente de la extensión para boquillas.
2. Seleccione e instale la punta de rocío de alta presión que desee siguiendo las instrucciones de *Cómo usar las puntas de rocío*.
3. Mantenga la pistola de rociado a una distancia segura del área que planea rociar.

 ADVERTENCIA	
	El retroceso de la pistola rociadora puede provocar caídas.
<ul style="list-style-type: none"> • Utilice la limpiadora a presión desde una superficie estable. • Extreme las precauciones si necesita utilizar la limpiadora a presión desde una escalera, un andamio u otro lugar similar. • Sujete firmemente la pistola rociadora con ambas manos cuando aplique un rociado a alta presión para evitar lesiones cuando se produzca el retroceso de la pistola. 	

4. Aumente (disminuya) la presión de rociado al darle vuelta a la perilla (A) en la dirección de las manecillas del reloj (en dirección opuesta). Use una presión más baja para lavar cosas como carros o botes. Use una presión más alta para eliminar pintura y grasa de calzadas.



5. Aplique un rociado de alta presión en un área pequeña, después revise si la superficie presenta daños. Si no encuentra daños, puede continuar con el trabajo de limpieza.
6. Comience en la parte superior del área que va a enjuagar, dirigiéndose hacia abajo con los mismos movimientos superpuestos que utilizó para la limpieza.

Limpeza del tubo de inyección de detergente

Si usó el tubo, debe lavarlo con agua limpia antes de parar el motor.

1. Coloque el filtro y la inyección de detergente en un balde lleno de agua limpia.
2. Quite la punta de rocío de alta presión del prolongador de la boquilla.
3. Seleccione e instale la punta de rocío negra (detergente) siguiendo las instrucciones de la sección *Cómo usar las puntas de rocío*.
4. Lave de 1 a 2 minutos.
5. Pare el motor siguiendo las instrucciones de la sección *Cómo detener su limpiadora a presión* y cierre la entrada de agua.
6. SIEMPRE apunte la pistola rociadora hacia una dirección segura, oprima el botón rojo y apriete el gatillo de la pistola rociadora para liberar la presión.

IMPORTANTE: La pistola rociadora contiene agua a alta presión incluso cuando el motor está apagado y el tubo de agua está desconectado.

 ADVERTENCIA	
	<p>El chorro de agua a alta presión que este equipo produce, puede atravesar la piel y los tejidos subcutáneos, provocando lesiones de gravedad que podrían dar lugar a la amputación de un miembro. La pistola rociadora contiene agua a alta presión incluso con el motor parado y el agua desconectada, que puede causar la herida.</p> <ul style="list-style-type: none"> • Mantenga conectada la manguera a la máquina o a la pistola de rociado cuando el sistema esté presurizado. • SIEMPRE que pare el motor, apunte con la pistola rociadora hacia una dirección segura, presione el seguro (botón rojo) y apriete el gatillo para descargar la presión y evitar el retroceso.

Sistema de enfriamiento automático (alivio térmico)

El agua que circula dentro de la bomba puede alcanzar temperaturas entre los 125°-155°F si hace funcionar el motor de su máquina limpiadora a presión de 3 a 5 minutos sin oprimir el gatillo de la pistola de rociado. El sistema de enfriamiento automática se activa a esta temperatura y enfría la bomba **descargando agua caliente en el piso, evitando así el daño interno de la bomba.**

MANTENIMIENTO

ESPECIFICACIONES DEL PRODUCTO

Especificaciones de la máquina limpiadora a presión

Presión	3,800 PSI
Velocidad de flujo	4,0 GPM
Mezcla de químicos	Use según instrucciones
Temperatura del suministro de agua	Que no exceda los 100°F
Capacidad de la bomba de aceite	0.35 l (12 fl. oz.)

Especificaciones del motor

Caballos de Fuerza	13 a 3600 rpm
Diámetro de camisa	.88 mm (3,5 pulgadas)
Carrera	.64 mm (2,5 pulgadas)
Desplazamiento	.389 cc (23,7 pulgadas)
Bujía	
Resistor:	NGK BPR6ES
Calibrar Separación a:	0,028-0,031 pulgadas (0,70-0,80mm)
Admisión	0,15 mm ± 0,02 mm (frío)
Escape	0,20 mm ± 0,02 mm (frío)
Capacidad de Gasolina	1.72 galones
Tipo de Aceite	SAE 10W-30

Esta limpiadora a presión está clasificada conforme a la norma PW101 (comprobación y clasificación de rendimiento de limpiadoras a presión) de la Asociación de fabricantes de bombas a presión (Pressure Washer Manufacture Association, PWMA).

RESPONSABILIDADES DEL PROPIETARIO

Siga el programa de mantenimiento según el número de horas o según el calendario, lo que suceda primero. Se requiere de servicio con mayor frecuencia cuando opere la unidad en las condiciones adversas descritas a continuación.

Plan de mantenimiento

Primeras 20 Horas
• Cambie el aceite del motor
Cada 8 horas o diario
• Revise/limpie el filtro de la entrada de agua ¹
• Revise la manguera de alta presión
• Revise la manguera del detergente
• Revise la pistola aspersora y verifique que no haya fugas en el ensamblaje
• Limpie los residuos
• Compruebe el filtro de aire
• Compruebe el nivel de aceite
Cada 50 horas ó 3 meses
• Limpie el filtro de aire ²
Cada 100 horas ó 6 meses
• Cambiar el aceite del motor
• Limpie el recipiente para sedimentos
• Compruebe y ajuste la bujía
• Servicio al sistema de la bujía ¹
• Limpie el depósito de combustible y el filtro
Cada 200 horas ó 3 meses
• Cambio del aceite de la bomba ⁵
Cada 300 horas ó año
• Sustituya el filtro de aire ³
• Sustituya la bujía
• Compruebe y ajuste el ralentí ⁴
• Compruebe y ajuste de holgura de las válvulas ⁴
Cada 500 horas
• Limpie la cámara de combustión ⁴
Cada 2 años
• Compruebe el tubo de combustible (sustituir si es necesario) ⁴

¹ Limpiar si está obstruido. Reemplazar si está perforado o roto.

² Sustitúyalo con más frecuencia en condiciones de suciedad o polvo.

³ Sustituya únicamente el elemento de papel.

⁴ Para reparar estos elementos, acuda al servicio técnico de su distribuidor.

⁵ Cambie el aceite después de las primeras 50 horas de funcionamiento y luego, cada 200 horas o 3 meses, lo que suceda antes.

Recomendaciones generales

El mantenimiento periódico mejorará el rendimiento y prolongará la vida útil del limpiadora a presión. Si necesita asistencia, consulte con un distribuidor de Sears o con otro distribuidor cualificado.

La garantía de la máquina limpiadora a presión NO cubre los elementos que han sido sujetos a abuso o negligencia por parte del operador. Para hacer válida la cobertura total de la garantía, el operador deberá mantener la lavadora de presión tal y como se indica en el manual, incluyendo su adecuado almacenamiento, como se describe en la sección *Almacenamiento en el Invierno y Almacenamiento prolongado*.

NOTA: Una vez al año, usted deberá limpiar o reemplazar la bujía y el filtro de aire. Una bujía nueva y un filtro de aire limpio garantizan una mezcla de combustible-aire adecuada y le ayuda a su motor a funcionar mejor y a tener una vida útil más prolongada.

Control de emisiones

Cualquier establecimiento o individuo especializado en la reparación de motores que no sean de automoción puede encargarse del mantenimiento, la sustitución y la reparación de los dispositivos y sistemas de control de emisiones. No obstante, para realizar la revisión gratuita de control de emisiones, deberá acudir a un distribuidor autorizado por el fabricante. Véase *Garantía de emisiones*.

Antes de cada uso

1. Revise el nivel de aceite del motor.
2. Limpie los residuos.
3. Revise si existen daños en el colador de la entrada de agua.
4. Revise si existen daños en la manguera de alta presión.
5. Revise si existen fugas en el conjunto de la extensión para boquilla y pistola.
6. Elimine el aire y los contaminantes de la bomba.

MANTENIMIENTO DE LA MAQUINA LIMPIADORA A PRESIÓN

Limpie los residuos

Limpie a diario, o antes de cada uso, los residuos acumulados en el limpiadora a presión. Mantenga limpias las conexiones, los muelles y los mandos. Limpie todo resto de combustible de la zona que rodea al silenciador y de detrás del mismo. Inspeccione las ranuras para aire de enfriamiento y la apertura del limpiadora a presión. Estas aperturas deberán mantenerse limpias y despejadas.

Mantenga limpios los componentes del limpiadora a presión para reducir el riesgo de sobrecalentamiento e ignición de los residuos acumulados.

- Utilice un trapo húmedo para limpiar las superficies exteriores.

AVISO

El tratamiento inadecuado del limpiadora a presión puede dañarlo y acortar su vida productiva.

- NO inserte cualquier objeto a través de las ranuras de enfriamiento.
- Puede usar un cepillo de cerdas suaves para retirar la suciedad endurecida, aceite, etc.
- Puede usar una máquina aspiradora para eliminar suciedad y residuos sueltos.

Revise y limpie el colador de entrada

Examine el colador de entrada de la manguera de jardín. Límpielo si está tapado o reemplacelo si está roto.

Revise la manguera de alta presión

Las mangueras de alta presión pueden desarrollar fugas debido al desgaste, dobleces o abuso. Revise la manguera antes de cada uso. Revise si existen cortes, fugas, abrasiones, levantamiento de la cubierta, daño o movimiento de los acoplamientos. Si existe cualquiera de estas condiciones, reemplace la manguera inmediatamente.



ADVERTENCIA



El chorro de agua a alta presión que este equipo produce, puede atravesar la piel y los tejidos subcutáneos, provocando lesiones de gravedad que podrían dar lugar a la amputación de un miembro.

- NUNCA repare la manguera de alta presión. Reemplacela.
- Reemplacela con una manguera que cumpla con la capacidad mínima de presión de su máquina limpiadora a presión.

Revise la pistola y la extensión para boquillas

Examinez le branchement du boyau au pistolet à pulvérisation et assurez-vous que le branchement est solide. Faites l'essai de la détente en appuyant sur le bouton rouge et en vous assurant que la détente revient à sa position initiale lorsque vous la relâchez. Vous ne devriez pas être en mesure d'actionner la détente sans avoir appuyé sur le bouton rouge. Remplacez le pistolet à pulvérisation immédiatement s'il échoue un de ces essais.

Mantenimiento de las puntas de rocío

Si siente una sensación pulsante al momento de apretar el gatillo de la pistola rociadora, puede que sea causada por la presión excesiva en la bomba. La causa principal de la presión excesiva en la bomba es cuando la punta de rocío se encuentra atascada o tapada con materiales extraños, tales como tierra, etc. Para corregir el problema, limpie inmediatamente la punta de rocío siguiendo las instrucciones siguientes:

1. Apague el motor y el suministro de agua.
2. SIEMPRE apunte la pistola rociadora hacia una dirección segura, oprima el botón rojo y apriete el gatillo de la pistola rociadora para liberar la presión.



ADVERTENCIA

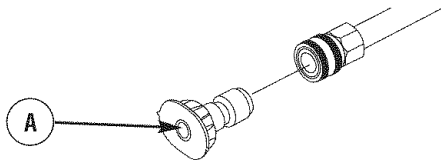


El chorro de agua a alta presión que este equipo produce, puede atravesar la piel y los tejidos subcutáneos, provocando lesiones de gravedad que podrían dar lugar a la amputación de un miembro.

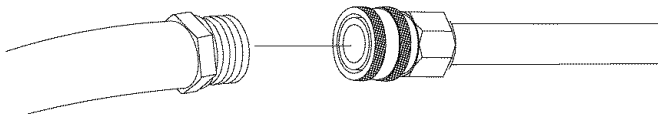
La pistola rociadora contiene agua a alta presión incluso con el motor parado y el agua desconectada, que puede causar la herida.

- Mantenga conectada la manguera a la máquina o a la pistola de rociado cuando el sistema esté presurizado.
- SIEMPRE que pare el motor, apunte con la pistola rociadora hacia una dirección segura, presione el seguro (botón rojo) y apriete el gatillo para descargar la presión y evitar el retroceso.

3. Remueva la punta de rocío del extremo de la extensión para boquillas.
4. Use un sujetapapeles pequeño para liberar cualquier material extraño que esté tapando la punta de rocío (A).



5. Retire la extensión para boquillas de la pistola.
6. Usando una manguera de jardín, remueva cualquier desecho adicional, poniendo agua en la extensión de la boquilla. Haga esto en un intervalo de 30 a 60 segundos.



7. Instale de nuevo la punta de rocío en la extensión.
8. Conecte de nuevo la extensión de la boquilla a la pistola rociadora.
9. Asegúrese de que la manguera de jardín está conectada a la entrada de agua. Compruebe que la manguera de alta presión está conectada a la pistola rociadora y a la bomba. Abra la entrada de agua.
10. Encienda el motor siguiendo las instrucciones de la sección *Cómo arrancar su limpiadora a presión*.
11. Pruebe la limpiadora a presión haciendo funcionar cada una de las puntas de rocío de conexión rápida que vienen con la limpiadora a presión.

Mantenimiento de los anillos 'o'

Compre una O-Juego de Reparación de Anillo en sus Sears locales o llamando **1-800-4-MY-HOME (469-4663)** o en línea en www.sears.com. No se incluye con la arandela de la presión. Este juego incluye los anillos del reemplazo O, arandela de caucho y filtro de cala de agua. Refiérase a la hoja de la instrucción proporcionada en el juego para atender a su unidad/los anillos de s O.



ADVERTENCIA



El chorro de agua a alta presión que este equipo produce, puede atravesar la piel y los tejidos subcutáneos, provocando lesiones de gravedad que podrían dar lugar a la amputación de un miembro.

- NUNCA reparación que sale las conexiones con sellador de cualquier tipo. Reemplace el anillo 'O' o el sello.

Mantenimiento de la bomba de aceite

Cambio de aceite de la bomba


Cambie el aceite después de las primeras 50 horas de funcionamiento y luego, cada 200 horas o 3 meses, lo que suceda antes.

NOTA: Al cambiar el aceite de la bomba, use exclusivamente aceite no detergente de alta calidad de viscosidad 30. NO utilice aditivos especiales.

Cambie el aceite como se indica a continuación:

1. Limpie la zona de alrededor del tapón de vaciado de aceite de latón que se encuentra en la parte inferior de la bomba.
2. Retire el tapón de vaciado de aceite. Vacíe todo el aceite de la bomba en un recipiente homologado.
3. Cuando la bomba se haya vaciado completamente de aceite, vuelva a colocar el tapón de vaciado y apriételo firmemente.
4. Limpie la zona de alrededor de la varilla de nivel de aceite de la bomba. Extraiga la varilla de nivel y llene la bomba con el aceite recomendado (aproximadamente, 0.35 l o 12 oz.) hasta que el nivel alcance la marca "Full" (Lleno) de la varilla.
5. Instale la varilla de nivel de aceite.
6. Limpie el aceite que se haya podido derramar.

MANTENIMIENTO DEL MOTOR

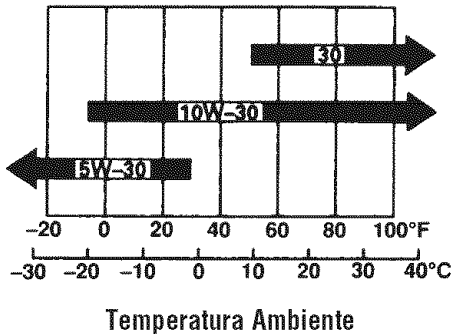
⚠ ADVERTENCIA	
	Chispear involuntario puede tener como resultado el fuego o el golpe eléctrico.
CUANDO AJUSTE O HAGA REPARACIONES A SU MÁQUINA LIMPIADORA A PRESIÓN	
<ul style="list-style-type: none"> • Siempre desconecte el alambre de la bujía y colóquelo donde no pueda entrar en contacto con la bujía. 	
CUANDO PRUEBE LA BUJÍA DEL MOTOR	
<ul style="list-style-type: none"> • Utilice un comprobador de bujías homologado. • NO compruebe la chispa sin la bujía instalada. 	

Aceite

Recomendaciones sobre el aceite

NOTA: Cuando añada aceite al cárter del motor, utilice sólo aceite detergente de automoción para motores de cuatro tiempos de alta calidad con clasificación de servicio API SJ o SL y viscosidad SAE 10W-30. NO utilice aditivos especiales.

1. Seleccione una viscosidad de acuerdo a la tabla siguiente.



NOTA: Las otras viscosidades que se indican en la tabla se pueden utilizar siempre que la temperatura media de su zona esté dentro de los límites recomendados.

Comprobación del nivel de aceite

Compruebe el nivel de aceite antes de cada uso o cada 8 horas de funcionamiento, como mínimo. Rellene si es necesario.

1. Coloque el limpiadora a presión sobre una superficie nivelada.
2. Retire la varilla de medición y limpie la varilla de medición. Instale el varilla de medición. Quite y verifique nivel del aceite.
3. Compruebe que el aceite hasta la marca "Full" de la varilla de medición. Instale el varilla de medición, apriete firmemente.

Adición de aceite del motor

1. Coloque el limpiadora a presión sobre una superficie nivelada.
2. Compruebe el nivel de aceite tal como se indica en la sección *Comprobación del nivel de aceite*.
3. Au besoin, videz lentement l'huile dans l'orifice de remplissage d'huile, jusqu'à ce qu'elle déborde par l'orifice du couvercle de remplissage d'huile.

4. Instale el varilla de medición, apriete firmemente.

Cambio de aceite del motor

Cambie el aceite del motor después de las primeras 20 horas y cada 100 horas o 6 meses a partir de ese momento. Si está utilizando su máquina limpiadora a presión bajo condiciones de extrema suciedad o polvo, o en un clima demasiado caliente, haga el cambio de aceite con mayor frecuencia.

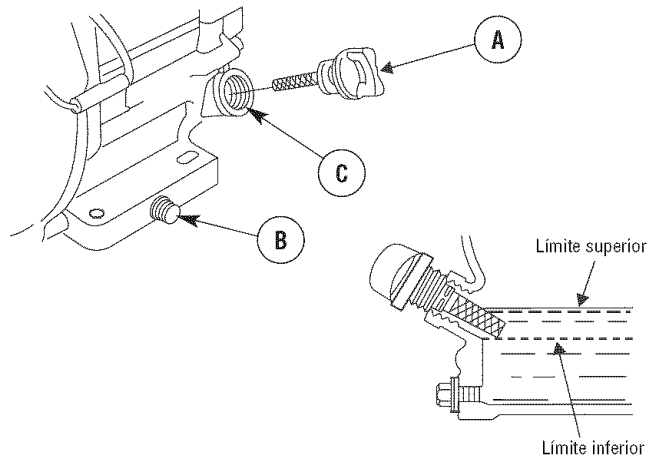
AVISO
Evite el contacto prolongado o repetido de piel con aceite usado de motor.
<ul style="list-style-type: none"> • El aceite usado del motor ha sido mostrado al cancer de la piel de la causa en ciertos animales del laboratorio. • Completamente lavado expuso áreas con el jabón y el agua.



MANTENER FUERA DEL ALCANCE DE LOS NIÑOS. NO CONTAMINE. CONSERVE LOS RECURSOS. DEPOSITE EL ACEITE USADO EN UN PUNTO DE RECOGIDA.

Cambie el aceite con el motor caliente después del funcionamiento, como se indica a continuación:

1. Desconecte alambre de bujía y lo mantiene lejos del bujía.
2. Coloque un recipiente adecuado debajo del motor para recoger el aceite usado. Quite la varilla de nivel de aceite (A), el tapón de vaciado (B) y la arandela.



3. Vacíe completamente el aceite. Vuelva a colocar el tapón de vaciado y la arandela. Apriete firmemente el tapón de vaciado.
4. Coloque la limpiadora a presión en una superficie plana.
5. Vierta lentamente aceite en la abertura de llenado (C). Haga pausas para permitir que el aceite se deposite. Llene hasta el borde del orificio de llenado.
6. Enrosque la varilla de nivel de aceite y apriétela firmemente.
7. Limpie los residuos de aceite.
8. Conecte de nuevo alambre de bujía al bujía.

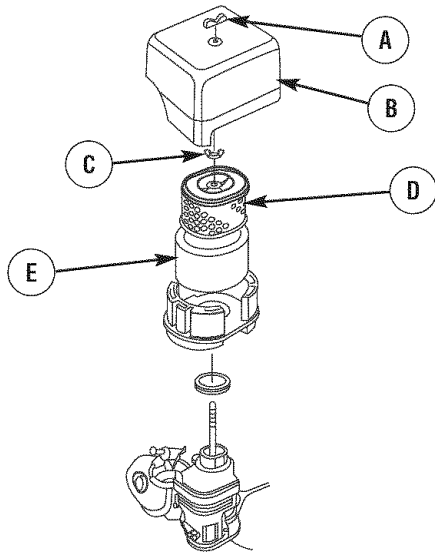
Servicio del depurador de aire

Su motor no funcionará adecuadamente y puede dañarse si usted lo hace funcionar con un depurador de aire sucio.

Limpie el filtro de aire cada 50 horas de funcionamiento o cada tres meses, lo que suceda antes. Suministre servicio más frecuentemente si la unidad funciona bajo condiciones de mucha suciedad o polvo. Cambie el filtro de papel cada 300 horas o una vez al año, lo que suceda antes. Los repuestos se encuentran disponibles en su centro de servicio local Sears.

Para dar servicio al filtro de aire, siga los pasos que se detallan a continuación:

1. Quite la tuerca de mariposa (A) de la tapa del filtro de aire (B) y quite la tapa.



2. Quite la tuerca de mariposa (C) del filtro de aire (D) y quite el filtro.
3. Quite el filtro de espuma (E) del filtro de papel.
4. Inspeccione ambos elementos del filtro de aire. Sustitúyalos si presentan daños.
5. Limpie el elemento de papel del filtro de aire golpeándolo contra una superficie dura para eliminar la suciedad. Alternativamente, sople a través del elemento del filtro con aire comprimido (a no más de 30 psi) desde el interior.

IMPORTANTE: NUNCA cepille el elemento para eliminar la suciedad, sólo conseguiría incrustarla en las fibras.

6. Limpie el elemento de espuma del filtro de aire en agua templada con jabón, aclárelo y séquelo completamente. Alternativamente, límpielo con un disolvente no inflamable y déjelo secar. Sumerja el elemento de espuma en aceite de motor limpio y escúrralo para eliminar el exceso de aceite.

IMPORTANTE: El motor producirá humo si la espuma contiene demasiado aceite.

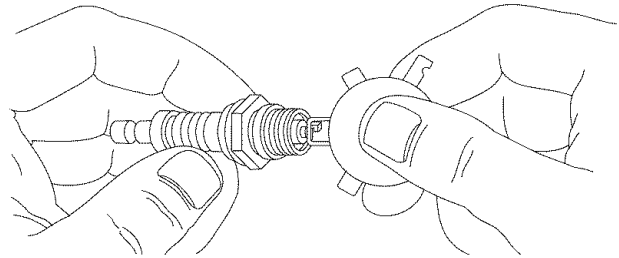
7. Utilice un trapo húmedo para eliminar la suciedad desde el interior de la base y la tapa del filtro de aire. No deje que la suciedad entre por el conducto de aire que va hasta el carburador.
8. Coloque el elemento de espuma del filtro de aire sobre el elemento de papel y vuelva a montar el conjunto del filtro de aire. Asegúrese de que la junta situada bajo el filtro de aire esté bien colocada. Apriete firmemente la tuerca de mariposa del filtro de aire.
9. Instale la tapa del filtro de aire y apriete firmemente su tuerca de mariposa.

NOTA: Usted puede comprar los elementos del filtro de aire nuevos llamando al **1-800-4-MY-HOME (469-4663)**.

Reemplace la bujía

Cheque y ajusta la bujía anualmente o cada 100 horas de operación. Reemplace la bujía anualmente o cada 300 horas de operación.

1. Limpie el área alrededor de la bujía.
2. Retire y revise la bujía.
3. Cambie la bujía si los electrodos están desgastados, o si el aislador está roto o partido.
4. Revise la separación del electrodo con un calibrador de alambre y ajuste la separación a 0.028-0.031 pulgadas (0.70-0.80 mm), si es necesario.



5. Instale la bujía y apriete la firmemente.

NOTA: Puede adquirir nuevas bujías al número telefónico **1-800-4-MY-HOME (469-4663)**.

Carburador


Si usted cree que su carburador necesita ajuste, visite su centro de servicio Sears más cercano. El funcionamiento del motor podría resultar afectado a altitudes por encima de 5000 pies. Para operaciones a elevaciones mayores, póngase en contacto con el centro de servicio Sears más cercano.

Servicio del apagachispas

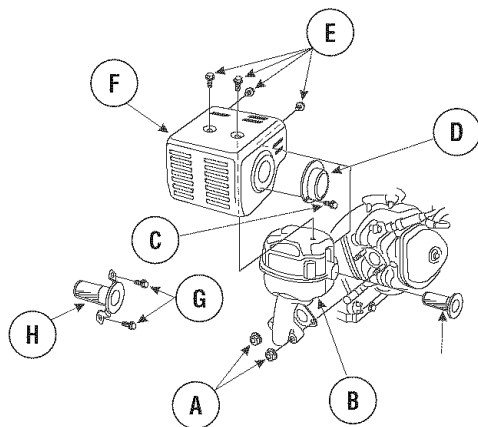
El motor de su unidad no viene equipado de fábrica con un apagachispas. En ciertas áreas, es ilegal operar motores que no tengan apagachispas. Revise las leyes y regulaciones locales. Si necesita apagachispas, lo puede comprar en su centro de servicio Sears más cercano. Para obtener el número de parte llame al **1-800-4-MY-HOME (469-4663)**.

Deberá suministrarle servicio al apagachispas cada 100 horas para conservarlo en buenas condiciones de funcionamiento.

Si el motor ha estado funcionando, el silenciador estará bastante caliente. Deje que el silenciador se enfríe para poder darle servicio al apagachispas.

 ADVERTENCIA	
	El contacto con la zona del silenciador puede producir quemaduras graves.
	Los gases y el calor de escape pueden inflamar los materiales combustibles y las estructuras o dañar el depósito de combustible y provocar un incendio.
<ul style="list-style-type: none"> • NO toque las superficies calientes y EVITE los gases del escape a alta temperatura. • Permita que el equipo se enfríe antes de tocarlo. • Deje un espacio mínimo de 152 cm (5 pies) alrededor del limpiadora a presión, incluida la parte superior. • El Código de Normativa Federal (CFR, Título 36: Parques, Bosques y Propiedad Pública) obliga a instalar una pantalla apagachispas en los equipos con motor de combustión interno y a mantenerla en buenas condiciones de funcionamiento, conforme a la norma 5100-1C (o posterior) del Servicio Forestal de la USDA. En el Estado de California, la ley exige el uso de una pantalla apagachispas (Sección 4442 del Código de Recursos Públicos de California). En otros estados puede haber leyes similares en vigor. 	

1. Quite las dos tuercas de 8 mm (A) y extraiga el silenciador (B) del cilindro.



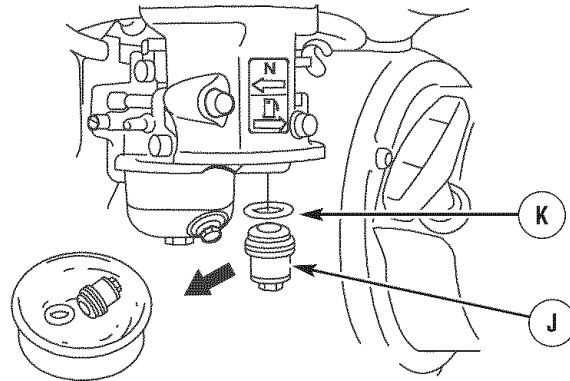
2. Quite los tres tornillos de 4 mm (C) del deflector de escape (D) y retire el deflector.
3. Quite los cuatro tornillos de 5 mm (E) del protector del silenciador (F) y retire el protector.
4. Quite los tornillos de 4 mm (G) del apagachispas (H) y separe este del silenciador.
5. Utilice un cepillo para eliminar la carbonilla acumulada en la pantalla del apagachispas. Tenga cuidado de no dañar la pantalla.

IMPORTANTE: La pantalla del apagachispas no debe estar rota ni agujereada. Sustituya el apagachispas si presenta daños.

6. Monte el apagachispas, el protector del silenciador, el deflector de escape y el silenciador siguiendo el orden inverso de desmontaje.

Limpieza del recipiente para sedimentos

1. Sitúe la válvula de combustible en la posición "Off" y retire después el recipiente para sedimentos (J) y la junta tórica (K).





2. Lave el recipiente y la junta tórica con disolvente no inflamable. Seque a fondo.
3. Coloque la junta tórica en la válvula de combustible e instale el recipiente para sedimentos. Apriete firmemente el recipiente para sedimentos.
4. Sitúe la válvula de combustible en la posición "On" y compruebe si hay fugas. En caso afirmativo, sustituya la junta tórica.

DESPUES DE CADA USO

No deberá haber agua en la unidad por largos períodos de tiempo. Los sedimentos de minerales se pueden depositar en partes de la bomba y “congelar” su funcionamiento. Lleve a cabo estos procedimientos después de cada uso:

1. Pare el motor, cierre la alimentación de agua, apunte con la pistola rociadora hacia una dirección segura, pulse el botón rojo y apriete el gatillo para descargar la presión. Deje enfriar el motor.

 ADVERTENCIA	
	<p>El chorro de agua a alta presión que este equipo produce, puede atravesar la piel y los tejidos subcutáneos, provocando lesiones de gravedad que podrían dar lugar a la amputación de un miembro. La pistola rociadora contiene agua a alta presión incluso con el motor parado y el agua desconectada, que puede causar la herida.</p>
<ul style="list-style-type: none">• Mantenga conectada la manguera a la máquina o a la pistola de rociado cuando el sistema esté presurizado.• SIEMPRE que pare el motor, apunte con la pistola rociadora hacia una dirección segura, presione el seguro (botón rojo) y apriete el gatillo para descargar la presión y evitar el retroceso.	

2. Desconecte manga del fusil del rocío y salida alta de presión en la bomba. Desagüe agua de la manga, del fusil, y de la extensión de boquilla. Use un harapo para quitar la manga.
3. Saque todos los líquidos de la bomba halando la manija de retroceso aproximadamente 6 veces. Esto deberá evacuar la mayoría del líquido de la bomba.
4. Enrosque la manguera de alta presión en la abrazadera de la manguera de la asa.
5. Almacene la unidad en una área limpia y seca.
6. Si planea almacenar la unidad por más de 30 días, vea la sección *Almacenamiento Prolongado* en próxima página.

 ADVERTENCIA	
	<p>La gasolina y sus vapores son extremadamente inflamables y explosivos.</p>
	<p>El fuego o una explosión pueden causar quemaduras severas e inclusive la muerte.</p>
CUANDO ALMACENE O GUARDE EL EQUIPO CON COMBUSTIBLE EN EL TANQUE	
<ul style="list-style-type: none">• Almacene alejado de calderas, estufas, calentadores de agua, secadoras de ropa u otros aparatos electrodomésticos que posean pilotos u otras fuentes de ignición, porque ellos pueden encender los vapores de la combustible.	

ALMACENAMIENTO

ALMACENAMIENTO PARA INVIERNO

AVISO

Usted deberá proteger su unidad de las temperaturas de congelamiento.

- Si no lo hace, dañará permanentemente la bomba y la unidad no podrá funcionar.
- La garantía no cubre el daño de la unidad ocasionado por congelamiento.

Para proteger la unidad de las temperaturas de congelamiento:

1. Siga los pasos 1-4 en la sección previa *Después de Cada Uso*.
2. Utilice un protector de bomba, disponible en Sears con el número de catálogo 6039 para cuidar la bomba. Aquél protege a la unidad contra el congelamiento y lubrica tanto los pistones como los empaques.
3. Si el protector de bomba no está disponible, conecte un tramo de 3 pies de manguera de jardín a la entrada de agua. Vierta anticongelante RV (anticongelante sin alcohol) en la manguera. Jale la manija de arranque dos veces. Desconecte después la manguera de 3 pies.
4. Almacene la unidad en una área limpia y seca.

ALMACENAMIENTO PROLONGADO

Si usted no planea usar la máquina limpiadora a presión por más de 30 días, deberá preparar el motor para un almacenamiento prolongado.

Es importante evitar la formación de depósitos de goma en las partes esenciales del sistema del combustible tales como carburador, filtro del combustible, manguera o tanque del combustible durante el almacenamiento. También, la experiencia indica que los combustibles con mezclas de alcohol (llamados gasohol, etanol o metanol) pueden atraer la humedad, lo que lleva a la separación y formación de ácidos durante el almacenamiento. La gasolina ácida puede dañar el sistema del combustible de un motor durante el almacenamiento.

⚠ ADVERTENCIA



La gasolina y sus vapores son extremadamente inflamables y explosivos.



El fuego o una explosión pueden causar quemaduras severas e inclusive la muerte.

CUANDO ALMACENE O GUARDE EL EQUIPO CON COMBUSTIBLE EN EL TANQUE

- Almacene alejado de calderas, estufas, calentadores de agua, secadoras de ropa u otros aparatos electrodomésticos que posean pilotos u otras fuentes de ignición, porque ellos pueden encender los vapores de la combustible.

CUANDO VACÍE EL DEPÓSITO DE COMBUSTIBLE

- Apague el lavadora de presión (posición OFF) y déjelo enfriar al menos por 2 minutos antes de remover la tapa de la combustible. Afloje la tapa lentamente para dejar que la presión salga del tanque.
- Vacíe el depósito de combustible a la intemperie.
- Mantenga la combustible alejada de chispas, llamas abiertas, pilotos, calor y otras fuentes de ignición.
- NO encienda un cigarrillo o fume.

Proteja el sistema de combustible

Aditivo para combustible:

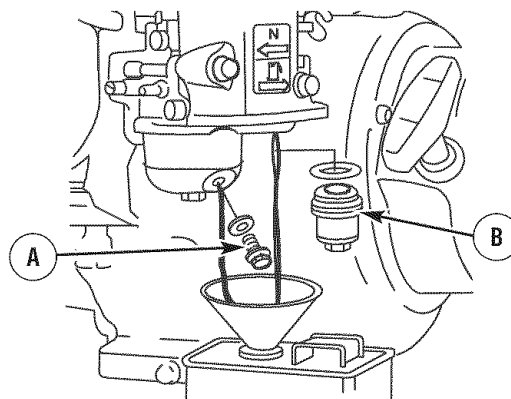
Si va a usar aditivo para combustible, llene el tanque de combustible con gasolina fresca. Si el tanque está parcialmente lleno, el aire del tanque va a promover el deterioro del combustible durante el almacenamiento. El motor y el combustible pueden ser almacenados hasta 24 meses con aditivo.

- Deposite el aditivo para combustible siguiendo las instrucciones del fabricante.
- Asegúrese de tener conectado y ABIERTO el suministro de agua a la entrada de la bomba.
- Ponga en funcionamiento el motor en un área descubierta por 10 minutos para asegurarse de que la gasolina tratada ha remplazado la gasolina no tratada del carburador.
- Pare el motor y sitúe la palanca de la válvula de combustible en la posición "Off".

Vaciado del depósito de combustible y del carburador:

Si no utiliza aditivos para el combustible, vacíe todo el combustible del depósito y el carburador.

- Coloque un recipiente homologado bajo el carburador y utilice un embudo para no derramar el combustible.
- Quite el tornillo de vaciado del carburador (A) y el recipiente para sedimentos (B) y sitúe la palanca de la válvula de combustible en la posición "On".



- Una vez vaciado todo el combustible, vuelva a montar el tornillo de vaciado y el recipiente para sedimentos y apriételos bien.

Cambio de aceite del motor

Con el motor todavía caliente, drene el aceite de la caja del cigüeñal. Vuelva a llenarlo con el grado de aceite recomendado. Vea *Cambio de Aceite del Motor* en la sección *Mantenimiento del Motor*.

Aceite el diámetro interior del cilindro

- Retire la bujía. Rocíe aproximadamente 1 cucharón de aceite limpio para motor dentro del cilindro. Cubra el orificio de la bujía con un trapo. Hale la manija de retroceso lentamente para distribuir el aceite. Evite el rociado del orificio de la bujía.
- Instale la bujía. NO conecte el alambre de la bujía.

Protección de la bomba

Para proteger la bomba frente a los daños que causan los depósitos minerales o la congelación, use PumpSaver, número de catálogo 6039, para cuidar la bomba. Esto evita los daños derivados de la congelación y lubrica los pistones y las juntas.

AVISO

Usted deberá proteger su unidad de las temperaturas de congelamiento.

- Si no lo hace, dañará permanentemente la bomba y la unidad no podrá funcionar.
- La garantía no cubre el daño de la unidad ocasionado por congelamiento.

NOTA: El PumpSaver están disponible sólo como un accesorio opcional. NO es incluido con la arandela de la presión. Avise el más cercano servicio autorizado central para comprar PumpSaver.

Al uso el PumpSaver, cerciórese la arandela de la presión se apaga y desconecta del agua del suministro. Lea y siga todas instrucciones y las advertencias dadas en el contenedor de PumpSaver.

Otras sugerencias para el almacenamiento

1. NO guarde combustible de una temporada a otra a menos que lo haya tratado como se indica en la sección *Aditivo para combustible*.
2. Reemplace la caneca de gasolina si comienza a oxidarse. El óxido y/o la suciedad en la gasolina le causará problemas.
3. Cubra su unidad con una cubierta de protección adecuada que no retenga humedad.



ADVERTENCIA



Las cubiertas para almacenamiento pueden ser inflamables.

- NO coloque una cubierta encima de un limpiadora a presión caliente.
- Deje que la unidad se enfríe lo suficientemente antes de que le coloque la cubierta.

4. Almacene la unidad en un área limpia y seca.

REPARACION DE DAÑOS

Problema	Causa	Solución
La bomba presenta los siguientes problemas: no produce presión o produce una presión errada, traqueteo, pérdida de presión, bajo volumen de agua.	<ol style="list-style-type: none"> 1. Está usando la boquilla de baja presión (negra). 2. La entrada de agua está bloqueada. 3. Suministro de agua inadecuado. 4. La manguera de entrada está doblada o presenta fugas. 5. El colador de la manguera de la entrada de agua está tapado. 6. El suministro de agua está por encima de los 100°F. 7. La manguera de alta presión está bloqueada o presenta fugas. 8. La pistola presenta fugas. 9. La boquilla está obstruida. 10. Bomba defectuosa. 	<ol style="list-style-type: none"> 1. Cambie la boquilla a una de las tres boquillas de alta presión. 2. Limpie la entrada. 3. Proporcione flujo de agua adecuado. 4. Estire la manguera de entrada, coloque un parche en la fuga. 5. Revise y limpie el colador de la manguera de entrada. 6. Proporcione suministro de agua más fría. 7. Retire las obstrucciones de la manguera de salida. 8. Reemplace la pistola. 9. Limpie la boquilla. 10. Póngase en contacto con el centro de servicio Sears.
El detergente no se mezcla con el rociado.	<ol style="list-style-type: none"> 1. El tubo de succión de detergente no está sumergido. 2. El filtro de químicos está tapado. 3. Está usando la boquilla de alta presión. 	<ol style="list-style-type: none"> 1. Coloque el tubo de succión de detergente en el detergente. 2. Limpie o reemplace el filtro/tubo de succión de detergente. 3. Use la boquilla de baja presión (negra).
El motor funciona bien cuando no tiene cargas, pero funciona "mal" cuando se conecta una carga.	La velocidad del motor es demasiado lenta.	Mueva el control de la válvula de regulación a la posición FAST (RAPIDO). Si el motor continua funcionando mal, póngase en contacto con el centro de servicio Sears.
El motor no arranca; o arranca y funciona mal.	<ol style="list-style-type: none"> 1. Bajo nivel de aceite. 2. Depurador de aire sucio. 3. Sin gasolina. 4. Gasolina vieja. 5. El alambre de la bujía no está conectado a la bujía. 6. Bujía mala. 7. Agua en la gasolina. 8. Estrangulación excesiva o inundado. 9. Mezcla de combustible demasiado rica. 10. Válvula de entrada trabada en la posición abierta o cerrada. 11. El motor ha perdido compresión. 	<ol style="list-style-type: none"> 1. Llene la caja del cigüeñal hasta el nivel correcto. 2. Limpie o reemplace el depurador de aire. 3. Llene el tanque de combustible. 4. Drene el tanque de gasolina; llénelo con combustible fresco. 5. Conecte el alambre a la bujía. 6. Reemplace la bujía. 7. Drene el tanque de gasolina; llénelo con combustible fresco. 8. Abra el cebador por completo y haga girar el motor. 9. Póngase en contacto con el centro de servicio Sears. 10. Póngase en contacto con el centro de servicio Sears. 11. Póngase en contacto con el centro de servicio Sears.
El motor se apaga durante la operación.	Sin gasolina.	Llene el tanque de combustible.
El motor no tiene fuerza.	Filtro de aire sucio.	Reemplace el filtro de aire.
El motor intenta estabilizarse o su funcionamiento no es constante.	Cebador abierto demasiado rápido.	Mueva el cebador a la posición intermedia hasta que el motor funcione normalmente.

GARANTÍA DEL SISTEMA DE CONTROL DE EMISIONES

Sears, Roebuck and Co., U.S.A. (Sears), California Air Resources Board (Consejo de Recursos sobre el Aire de California, CARB, por sus siglas en inglés) y United States Environmental Protection Agency (Agencia de Protección Ambiental de EE.UU., EPA, por sus siglas en inglés).

Declaración de garantía del sistema de control de emisiones (derechos y obligaciones del propietario para la garantía contra defectos)

California Air Resources Board (CARB), U.S. EPA y Sears le explican a continuación la garantía del sistema de control de emisiones de su pequeño motor para máquinas de servicio (SORE, Small Offroad Engine). En California, los modelos de pequeños motores para máquinas de servicio a partir del año 2006 deben estar diseñados, fabricados y equipados conforme a los exigentes estándares de lucha contra la contaminación del Estado.

En otras regiones de Estados Unidos, los nuevos motores para interiores de ignición por chispa certificados para modelos año 1997 y posteriores deben cumplir con normas similares establecidas por la EPA de EE.UU. Sears debe garantizar el sistema de control de emisiones de su motor para los períodos indicados a continuación, siempre y cuando no se haya abusado, descuidado o dado mantenimiento incorrecto al motor pequeño para exteriores.

Su sistema de control de emisiones incluye piezas como el carburador, el filtro de aire, el sistema de arranque, el tubo de combustible, el silenciador y el convertidor catalítico. También puede incluir conectores y otros conjuntos relacionados con las emisiones.

Cuando exista una condición que pueda ser cubierta por la garantía, Sears reparará el motor pequeño para exteriores sin costo alguno, incluyendo el diagnóstico, las partes de repuesto y la mano de obra.

Cobertura de la garantía de Sears, Roebuck and Co. contra defectos en el control de emisiones

Los pequeños motores para máquinas de servicio están garantizados contra defectos de las piezas de control de emisiones durante un período de dos años, conforme a las siguientes disposiciones. Si cualquier pieza del motor con cobertura es defectuosa, será reparada o sustituida por Sears.

Responsabilidades del propietario para la garantía

Como propietario del motor pequeño para exteriores, usted es responsable de realizar las actividades de mantenimiento requeridas que se indican en Instrucciones de uso y mantenimiento. Sears recomienda que conserve todos los recibos que cubran el mantenimiento de su motor pequeño para exteriores, pero Sears no puede negar la garantía solamente por la falta de recibos ni por su imposibilidad de garantizar la realización de todas las actividades de mantenimiento programadas.

Como propietario del motor pequeño para exteriores, usted siempre debe tener en cuenta que Sears podrá negar la cobertura de la garantía si su motor pequeño para exteriores o una parte del mismo presenta fallas debido a abuso, descuido, mantenimiento incorrecto o modificaciones no aprobadas.

Usted es responsable de presentar su motor pequeño para exteriores a un distribuidor autorizado de servicio de Sears aprobado tan pronto como se presente el problema.

Las reparaciones cubiertas por la garantía se llevarán a cabo en un plazo razonable, no superior a 30 días en ningún caso.

Si tiene alguna pregunta con respecto a sus derechos y responsabilidades para la garantía, póngase en contacto con un representante de servicio Sears al 1-800-469-4663.

La garantía de emisiones es una garantía contra defectos. Los defectos se juzgan en función del rendimiento normal del motor. La garantía no dependerá de ninguna prueba de emisiones en funcionamiento.

Disposiciones de la garantía de Sears, Roebuck and Co. contra defectos en el control de emisiones

Las siguientes son disposiciones específicas relacionadas con la cobertura de la garantía contra defectos en el control de emisiones. Se añade a la garantía de motores de Sears para motores no regulados, que figura en las Instrucciones de uso y mantenimiento.

1. Partes garantizadas

La cobertura bajo esta garantía incluye solamente aquellas partes que se enumeran a continuación (las partes del sistema de control de emisiones) en la medida que dichas partes hayan estado presentes en el motor adquirido.

- a. Sistema de medición de combustible
- Sistema de enriquecimiento para arranque en frío

- Carburador y partes internas
- Bomba de combustible
- Tubo de combustible, acoplamientos del tubo de combustible, abrazaderas
- Depósito de combustible, tapón y cadena
- Bote de carbono
- b. Sistema de inducción de aire
- Filtro de aire
- Colector de entrada
- Línea de purga y ventilación
- c. Sistema de ignición
- Bujías
- Sistema de ignición por magneto
- d. Sistema catalizador
- Convertidor catalítico
- Colector de escape
- Sistema de inyección de aire o válvula por impulsos
- e. Distintos elementos utilizados en los sistemas anteriores
- Válvulas e interruptores de vacío, temperatura, posición y de detección de tiempo
- Conectores y conjuntos

2. Vigencia de la cobertura

Sears garantiza al propietario inicial y a cada comprador subsiguiente que las partes garantizadas estarán libres de defectos en material y en mano de obra, que ocasionen fallas de las partes garantizadas durante un período de dos años a partir de la fecha en que el motor sea entregado al comprador minorista.

3. No habrá cargos

La reparación o reemplazo de cualquier parte garantizada se realizará sin cargo alguno para el propietario, incluyendo la mano de obra de diagnóstico que derive en la determinación de que una parte garantizada está defectuosa, si la labor de diagnóstico se realiza en un Centro de servicio Sears aprobado.

4. Reclamos y exclusiones de cobertura

Los reclamos vinculados con la garantía se presentarán conforme a las disposiciones de la Póliza de garantía de Sears. La cobertura de la garantía se excluirá para aquellas fallas de partes garantizadas que no sean partes originales de Sears o debido a abuso, descuido o mantenimiento incorrecto, según se establece en la Póliza de garantía de motores de Sears. Sears no es responsable por la cobertura de fallas de partes garantizadas ocasionadas por el uso de partes adicionales, no originales o modificadas.

5. Mantenimiento

Cualquier parte garantizada cuyo reemplazo no esté programado como mantenimiento requerido o que esté programada únicamente para inspección frecuente con el fin de "reparar o reemplazar conforme sea necesario", estará garantizada en cuanto a defectos por el período de la garantía. Cualquier parte garantizada cuyo reemplazo esté programado como mantenimiento requerido tendrá solamente una garantía contra defectos únicamente por el período hasta el primer reemplazo programado para esa parte. Se podrá utilizar cualquier parte de repuesto que tenga un rendimiento y durabilidad equivalentes, al realizar cualquier actividad de mantenimiento o reparación. El propietario es responsable de realizar todo el mantenimiento requerido, según se define en Instrucciones de uso y mantenimiento de Sears.

6. Cobertura consiguiente

La cobertura bajo la presente se ampliará a la falla de cualquier componente del motor provocada por un desperfecto en cualquier parte garantizada que siga gozando de la cobertura de la garantía.

En EE.UU. y Canadá contamos con una línea de emergencia las 24 horas (1-800-469-4663), que ofrece un menú de mensajes pregrabados con información sobre mantenimiento de productos.

Información sobre emisiones

Los motores con certificación de cumplimiento de la normativa sobre emisiones del California Air Resources Board (CARB) deben mostrar información sobre el período de durabilidad de las emisiones y el índice de aire. El fabricante del motor ofrece esta información al consumidor mediante etiquetas de emisiones. La etiqueta de emisiones del motor contiene la información de certificación.

El **Período de Durabilidad de las Emisiones** indica el número de horas durante las cuales el motor puede funcionar cumpliendo las normas sobre emisiones, siempre que se realicen las operaciones de mantenimiento que se detallan en las instrucciones de uso y mantenimiento. Se utilizan las siguientes categorías:

Moderado: El motor está certificado para cumplir la normativa sobre emisiones durante 125 horas de funcionamiento real.

Intermedio: El motor está certificado para cumplir la normativa sobre emisiones durante 250 horas de funcionamiento real.

Prolongado: El motor está certificado para cumplir la normativa sobre emisiones durante 500 horas de funcionamiento real.

Por ejemplo, un cortacésped con operario a pie se suele utilizar entre 20 y 25 horas al año. Por tanto, el **Período de Durabilidad de las Emisiones** de un motor con clasificación **intermedia** equivaldría a 10-12 años.

Algunos motores cuentan con la certificación de cumplimiento de la fase 2 de las normas sobre emisiones de la United States Environmental Protection Agency (USEPA, Agencia estadounidense de protección del medioambiente). En el caso de los motores con certificación de fase 2, el período de cumplimiento de la normativa sobre emisiones que figura en la etiqueta de cumplimiento de emisiones indica el número de horas de funcionamiento durante las cuales el motor ha demostrado cumplir los requisitos federales sobre emisiones.

Para motores de menos de 225 cc:

Categoría C = 125 horas

Categoría B = 250 horas

Categoría A = 500 horas.

Para motores de 225 cc o más:

Categoría C = 250 horas

Categoría B = 500 horas

Categoría A = 1000 horas.

NOTAS

NOTAS

Get it fixed, at your home or ours!

Your Home

For expert troubleshooting and home solutions advice:

manage  home

www.managemyhome.com

For repair – **in your home** – of **all** major brand appliances, lawn and garden equipment, or heating and cooling systems, **no matter who made it, no matter who sold it!**

For the replacement parts, accessories and owner's manuals that you need to do-it-yourself.

For Sears professional installation of home appliances and items like garage door openers and water heaters.

1-800-4-MY-HOME[®] (1-800-469-4663)

Call anytime, day or night (U.S.A. and Canada)

www.sears.com www.sears.ca

Our Home

For repair of carry-in items like vacuums, lawn equipment, and electronics, call anytime for the location of your nearest

Sears Parts & Repair Service Center

1-800-488-1222 (U.S.A.) **1-800-469-4663** (Canada)

www.sears.com www.sears.ca

To purchase a protection agreement on a product serviced by Sears:

1-800-827-6655 (U.S.A.) **1-800-361-6665** (Canada)

Para pedir servicio de reparación a domicilio, y para ordenar piezas:

1-888-SU-HOGAR[®]

(1-888-784-6427)

Au Canada pour service en français:

1-800-LE-FOYER^{MC}

(1-800-533-6937)

www.sears.ca

Sears