

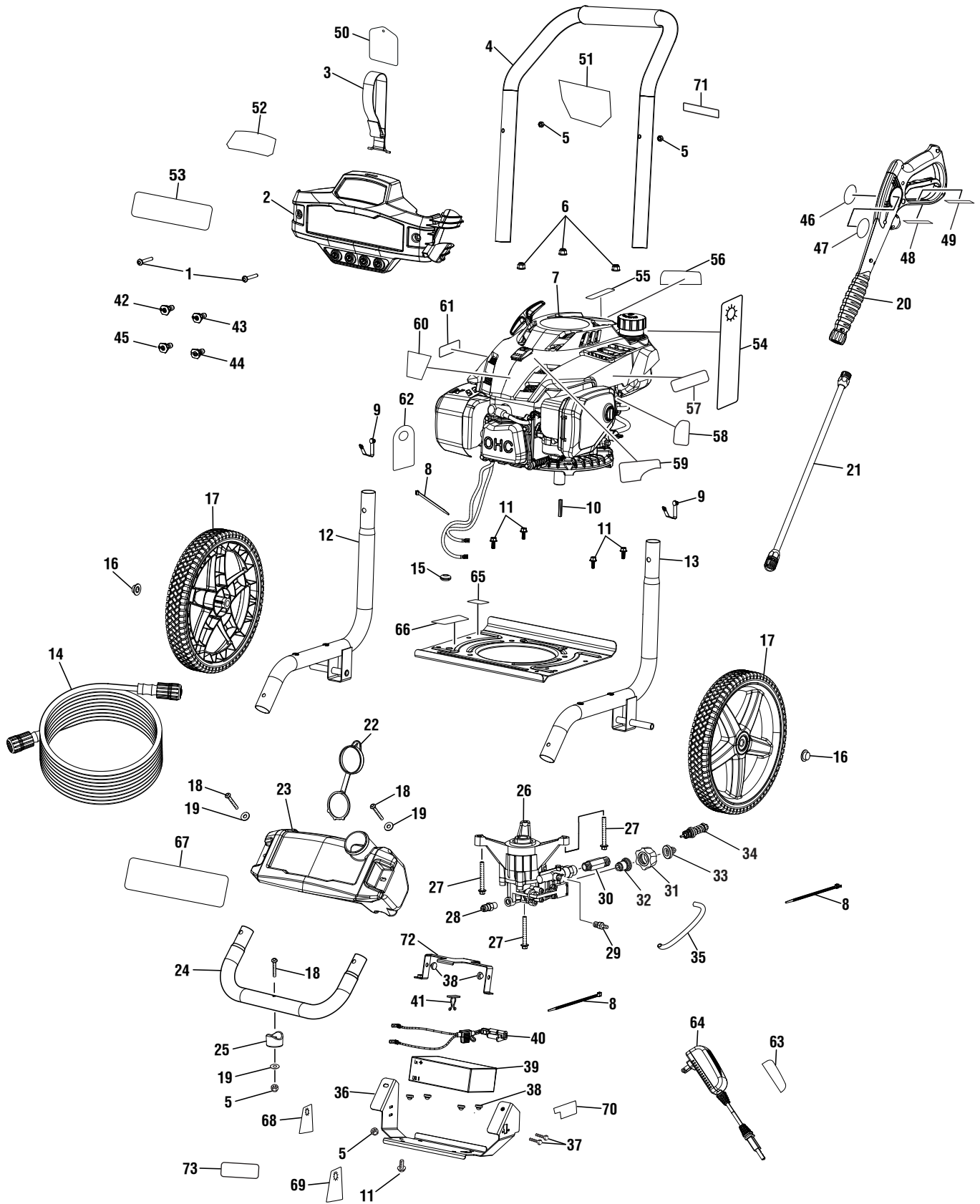


**Pressure Washer
Manufacturing No. 090079276
Item No. PS80310E
Replacement Parts List**

OWT INDUSTRIES, INC.

P.O. Box 35, Highway 8
Pickens, SC 29671 USA
1-877-617-3501

POWERSTROKE PRESSURE WASHER – ITEM NO. PS80310E



POWERSTROKE PRESSURE WASHER – ITEM NO. PS80310E

The model number will be found on a label attached to the engine plate. Always mention the model number in all correspondence regarding your **PRESSURE WASHER** or when ordering replacement parts.

KEY PART NO. NUMBER	DESCRIPTION	QTY	KEY PART NO. NUMBER	DESCRIPTION	QTY
1 661834004	Bolt (M6 x 42 mm, T30 Torx Pan Hd.)	2	39 750400007	Battery	1
2 310673030	Hose And Nozzle Assembly	1	40 290435021	Battery & Charger Wire Harness	1
3 308350003	Hose Holder Strap	1	41 900333020	Cable Tie	1
4 308638060	Handle Assembly w/ Foam	1	42 308699012	25° Nozzle	1
5 678610006	Lock Nut (M6 x 1)	4	43 308700012	40° Nozzle	1
6 678774002	Flange Lock Nut (M8 x 1.25)	3	44 308697012	0° Nozzle	1
7 Note A	Engine (Subaru 190V, E-Start)	1	45 308706011	Soap Nozzle	1
8 900333015	Wire Tie	3	46 940786025	Label (Trigger Handle Logo)	1
9 308421004	Handle Spring Clip	2	47 940654084	Label (Trigger Handle Warning)	1
10 678041006	Output Shaft Key	1	48 940786020	Label (Trigger Handle Specifications)	1
11 661505020	Flange Bolt (M6 x 1 x 16 mm, Hex Hd.)	5	49 940654228	Label (Trigger Handle Warning, French & Spanish)	1
12 310703012	Main Frame Assembly (Left) (Inc. Key No. 9)	1	50 961039005	Standard Nozzle Hangtag	1
13 310704013	Main Frame Assembly (Right) (Inc. Key No. 9)	1	51 940617149	Quick Start Label	1
14 308835006	Hose	1	52 940617150	Electric Start Label	1
15 561383004	Rubber Grommet	1	53 940779147	Performance Label	1
16 679957001	Push Cap Nut	2	54 940473011	Warning Hangtag	1
17 308451060	Wheel	2	55 940873007	E85 Label	1
18 661503015	Screw (M6 x 1 x 48 mm, T30 Torx Pan Hd.)	3	56 940971069	Engine Warning Label	1
19 638128004	Washer (1/4 in.)	3	57 940647113	Choke Label	1
20 308760019	Trigger Handle Assembly (Inc. Keys Nos. 47- 48)	1	58 940698036	Fuel Valve & Choke Label	1
21 308506006	Wand Assembly	1	59 941721002	On/Off Label	1
22 310650004	Soap Tank Cap	1	60 940608023	Electric Start Label	1
23 580875019	Soap Tank	1	61 940680040	Hot Surface Label	1
24 310742028	Front Frame Assembly (Inc. Keys Nos. 5, 18-19 & 25)	1	62 940889002	Oil Dipstick Hangtag	1
25 570554002	Wear Pad	1	63 140173025	Battery Charger	1
26 308653078	Pump (Inc. Keys Nos. 29-34)	1	64 940780025	Battery Charger Label	1
27 660962003	Flange Bolt (M8 x 1.25 x 60 mm, Hex Hd.)	3	65 940871016	Oil Fill Location Label	1
28 678169004	Thermal Release Valve	1	66 940947021	Combustion Warning Label	1
29 308452002	Soap Injector Kit	1	67 940608022	Detergent Tank Label	1
30 308862003	Outlet Tube	1	68 940473025	Battery Terminal Connector Flag	1
31 310993003	Spindle	1	69 940473024	Charging Hangtag	1
32 642058001	Collar	1	70 940780024	Battery Bracket Label	1
33 308662001	Filter Screen	1	71 941486002	Inquiries Label	1
34 310924003	Unloader Valve Assembly	1	72 636694001	Battery Hold Down Bracket	1
35 570728010	Chemical Siphon Tube	1	73 941155001	Battery Replacement Label	1
36 678714018	Battery Mount Bracket	1			
37 660923018	Screw (M4 x 12 mm, T20 Torx Pan Hd.)	2			
38 570733003	Rubber Isolator	6			
			Not Shown:		
			991000397	Operator's Manual	
			991000398	Assembly Guide	
			519314001	Funnel	

NOTE A: OWT Industries, Inc., will not provide complete engines as replacement parts. Engines are covered through the engine manufacturer's warranty. Consult the accompanying engine manual or contact our service department for assistance.

OWT INDUSTRIES, INC.

P.O. Box 35, Highway 8
Pickens, SC 29671 USA
1-877-617-3501