

OWNER'S MANUAL

CRAFTSMAN®

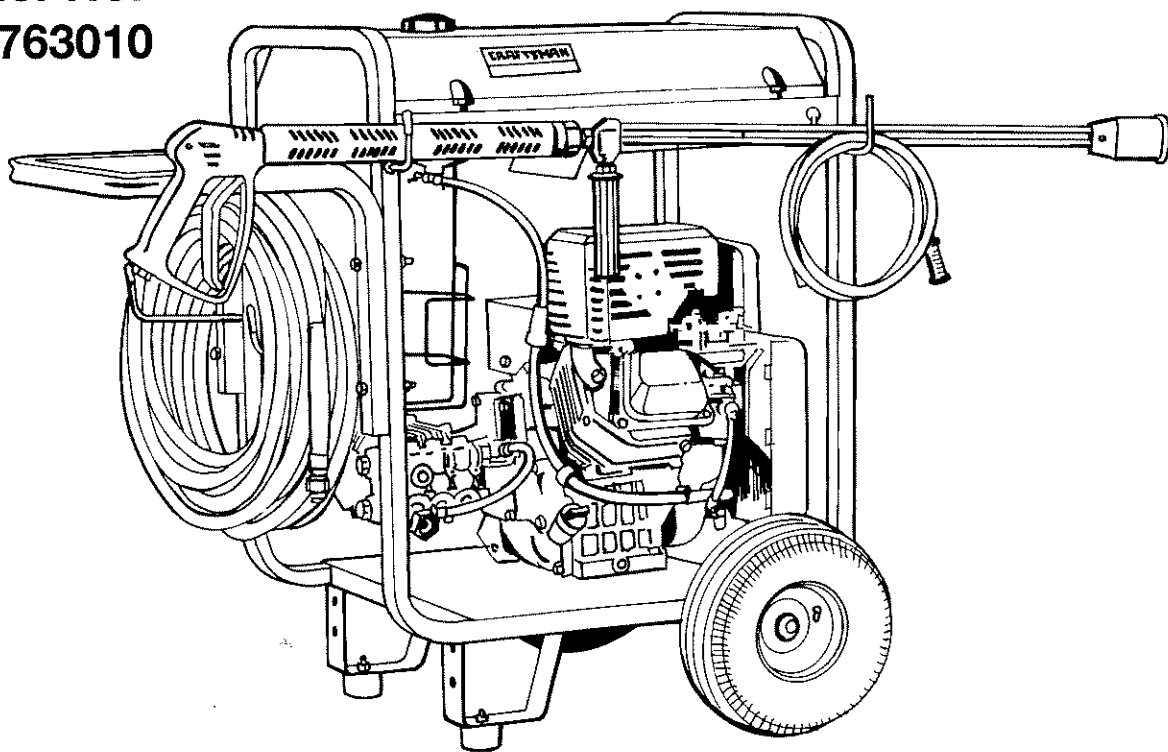
9.0 Horsepower

3000 PSI 3 GPM

High Pressure Washer

Model No:

919.763010



WARNING: Before using this product, read this manual and follow all Safety Rules and Operating Instructions.

**PRESSURE WASHER
CUSTOMER
HELPLINE
1-800-245-5873**

- Safety
- Assembly
- Operation
- Maintenance
- Parts List
- Español

Sears, Roebuck and Co., Hoffman Estates, IL 60179 U.S.A.

TABLE OF CONTENTS

Warranty	2	Storage	14
Safety Guidelines	3-5	Troubleshooting	15
Assembly	5-7	Parts.....	16-33
Operation	7-10	EPA Codes.....	34-35
Maintenance.....	11-13	How to Order Parts	Back Cover
		Español	35-55

LIMITED ONE YEAR WARRANTY ON CRAFTSMAN HIGH PRESSURE WASHER

For one year from the date of purchase, when this Craftsman High Pressure Washer is maintained and operated according to the instructions in the owner's manual, Sears will repair, free of charge, any defect in material and workmanship.

If your Craftsman Pressure Washer is used for commercial or rental purposes, this warranty applies only for 90 days from the date of purchase.

LIMITED ONE YEAR WARRANTY ON CRAFTSMAN ENGINE

For one year from the date of purchase, when this Craftsman engine is maintained and operated according to the instructions in the owner's manual, Sears will repair, free of charge, any defect in material and workmanship.

If your Craftsman engine is used for commercial or rental purposes, this warranty applies only for 90 days from the date of purchase. This warranty does not cover: Expendable items such as spark plugs and air filters, which become worn during normal use.

Repairs necessary because of operator abuse or negligence, including damage resulting from no water being supplied to pump or failure to maintain the equipment according to the instructions contained in the owner's manual, are not covered under warranty.

WARRANTY SERVICE IS AVAILABLE BY RETURNING THE HIGH PRESSURE WASHER TO THE NEAREST SEARS SERVICE CENTER/DEPARTMENT THROUGHOUT THE UNITED STATES.

This, warranty gives you specific legal rights and you may also have other rights, which vary from state to state.

Sears, Roebuck and Co., D/817 WA, Hoffman Estates, IL 60179

SAFETY GUIDELINES - DEFINITIONS

This manual contains information that is important for you to know and understand. This information relates to protecting **YOUR SAFETY** and **PREVENTING EQUIPMENT PROBLEMS**. To help you recognize this information, we use the symbols below. Please read the manual and pay attention to these sections. **SAVE THESE DEFINITIONS/INSTRUCTIONS.**

▲ **WARNING** indicates a potentially hazardous situation which, if not avoided, **could** result in **death or serious injury**.

▲ **DANGER** indicates an imminently hazardous situation which, if not avoided, **will** result in **death or serious injury**.



▲ **CAUTION** indicates a potentially hazardous situation which, if not avoided, **may** result in **minor or moderate injury**.

10/2/97






IMPORTANT SAFETY INSTRUCTIONS

▲ WARNING









Improper operation or maintenance of this product could result in serious injury and property damage. Read and understand all warnings and operating instructions before using.

HAZARD	WHAT CAN HAPPEN	HOW TO PREVENT IT
<p>▲ DANGER</p> <p>RISK OF EXPLOSION OR FIRE</p> 	<ul style="list-style-type: none"> • Spilled gasoline and its vapors can become ignited from cigarette sparks, electrical arcing, exhaust gases, and hot engine components such as the muffler. • Heat will expand fuel in the tank which could result in spillage and possible fire explosion. • Operating the pressure washer in an explosive environment could result in a fire. • Materials placed against or near the pressure washer can interfere with its proper ventilation features causing overheating and possible ignition of the materials. • Improperly stored fuel could lead to accidental ignition. Fuel improperly secured could get into the hands of children or other unqualified persons. 	<ul style="list-style-type: none"> • Shut off engine and allow it to cool before adding fuel to the tank. • Use care in filling tank to avoid spilling fuel. Move pressure washer away from fueling area before starting engine. • Keep maximum fuel level ½" below top of tank to allow for expansion. • Operate and fuel equipment in well ventilated areas free from obstructions. Equip areas with fire extinguishers suitable for gasoline fires. • Never operate pressure washer in an area containing dry brush or weeds. • Store fuel in container approved for gasoline, in a secure location away from work area.
<p>▲ DANGER</p> <p>RISK TO BREATHING</p> 	<ul style="list-style-type: none"> • Breathing exhaust fumes will cause serious injury or death. • Some cleaning fluids contain substances which could cause injury to skin, eyes, or lungs. 	<ul style="list-style-type: none"> • Operate pressure washer in a well ventilated area. Avoid enclosed areas such as garages, basements, etc. • Never operate unit in a location occupied by humans or animals. • Use only cleaning fluids specifically recommended for high pressure washers. Follow manufacturers recommendations.

IMPORTANT SAFETY INSTRUCTIONS (cont'd)

HAZARD	WHAT CAN HAPPEN	HOW TO PREVENT IT
<p style="text-align: center;">⚠ WARNING RISK OF UNSAFE OPERATION</p> 	<ul style="list-style-type: none"> • Unsafe operation of your pressure washer could lead to serious injury or death to you or others. • The spray gun/wand is a powerful cleaning tool that could look like a toy to a child. • Reactive force of spray will cause gun/wand to move, and could cause the operator to slip or fall, or misdirect the spray. Improper control of gun/wand can result in injuries to self and others. 	<ul style="list-style-type: none"> • Become familiar with the operation and controls of the pressure washer. • Keep children away from the pressure washer at all times. • Never defeat the safety features of this product. • Do not operate machine with missing, broken, or unauthorized parts. • Never leave wand unattended while unit is running. • Keep work area free of obstacles. • Stand on a stable surface and grip gun/wand firmly. Expect the gun to kick when triggered.
<p style="text-align: center;">⚠ WARNING RISK OF INJURY FROM SPRAY</p> 	<ul style="list-style-type: none"> • High velocity fluid spray can cause objects to break, propelling particles at high speed. • Light or unsecured objects can become hazardous projectiles. 	<ul style="list-style-type: none"> • Always wear ANSI approved Z87 safety glasses. Wear protective clothing to protect against accidental spraying. • Never point wand at, or spray people or animals. • Always secure trigger lock when wand is not in service to prevent accidental operation. • Never permanently secure trigger in pull back (open) position.
<p style="text-align: center;">⚠ WARNING RISK OF ELECTRICAL SHOCK</p> 	<ul style="list-style-type: none"> • Spray directed at electrical outlets or switches, or objects connected to an electrical circuit, could result in a fatal electrical shock. 	<ul style="list-style-type: none"> • Unplug any electrically operated product before attempting to clean it. Direct spray away from electric outlets and switches.
<p style="text-align: center;">⚠ WARNING RISK OF FLUID INJECTION</p> 	<ul style="list-style-type: none"> • Your washer operates at fluid pressures and velocities high enough to penetrate human and animal flesh, which could result in amputation or other serious injury. Leaks caused by loose fittings or worn or damaged hoses can result in injection injuries. DO NOT TREAT FLUID INJECTION AS A SIMPLE CUT! See a physician immediately! • Relieve system pressure before attempting maintenance or disassembly of equipment. 	<ul style="list-style-type: none"> • Never place hands in front of nozzle. • Direct spray away from self and others. • Make sure hose and fittings are tightened and in good condition. Never hold onto the hose or fittings during operation. • Do not allow hose to contact muffler. • Never attach or remove wand or hose fittings while system is pressurized. • Use only hose and high pressure accessories rated for 2000 PSI service. • To relieve system pressure, shut off engine, turn off water supply, and pull gun trigger until water stops flowing.
<p style="text-align: center;">⚠ WARNING RISK OF CHEMICAL BURN</p> 	<ul style="list-style-type: none"> • Use of acids, toxic or corrosive chemicals, poisons, insecticides, or any kind of flammable solvent with this product could result in serious injury or death. 	<ul style="list-style-type: none"> • Do not use acids, gasoline, kerosene, or any other flammable materials in this product. Use only household detergents, cleaners and degreasers recommended for use in pressure washers. • Wear protective clothing to protect eyes and skin from contact with sprayed materials.

IMPORTANT SAFETY INSTRUCTIONS (cont'd)

HAZARD	WHAT CAN HAPPEN	HOW TO PREVENT IT
<p>⚠ WARNING RISK OF HOT SURFACES</p> 	<ul style="list-style-type: none"> Contact with hot surfaces, such as engines exhaust components, could result in serious burn. 	<ul style="list-style-type: none"> During operation, touch only the control surfaces of the pressure washer. Keep children away from the pressure washer at all times. They may not be able to recognize the hazards of this product.
<p>International Symbols</p>   <p>Safety Alert - Read Owner's Manual</p>  On Off  Stop  Fuel Shutoff  Fuel  Choke		

IMPORTANT:

The powerful spray from your pressure washer is capable of causing damage to fragile surfaces such as: wood, glass, automobile paint, auto stripping and trim, and delicate objects such as flowers and shrubs. Before spraying, check the item to be cleaned to assure yourself that it is robust enough to resist damage from the force of the spray. Avoid the use of the concentrated spray stream except for very strong surfaces like concrete and steel.

Operating unit with water supply shut off without flow of water will result in equipment damage. You should never run this pressure washer for more than 2 minutes without pulling the trigger to allow cool water to enter the pump and the heated (recirculated) water to exit. Running the pressure washer with water supply shut off will void your warranty.

ASSEMBLY

Carton Contents

- Main Unit pressure washer with wheels
- Handle
- High Pressure Hose
- Chemical Pickup Hose and Filter
- Bag Containing
 - Video Cassette
 - Owners' Manual
 - Nozzle Cleaning Kit and Replacement O-Rings
 - Rubber Isolator and Mounting Hardware
- Box Containing
 - Gun
 - Wand
 - Engine Oil
 - Handle Mounting Hardware

Tools Required for Assembly

- Adjustable wrench
- 1/2" Socket wrench

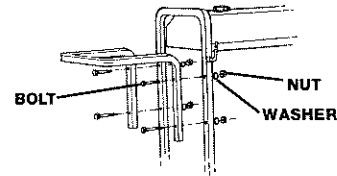
Remove Pressure Washer from Carton

- Open box from the top. Locate and remove from box, the parts box, which includes gun, handle, wand, oil, nuts bolts and washers for handle installation.
- Cut carton along dotted lines.
- Remove all carton inserts.
- Roll unit through opening in carton.

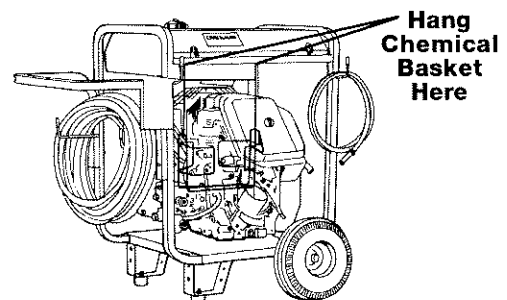
NOTE: The hose is located at the bottom of the box.

Preparing the Pressure Washer for First Use

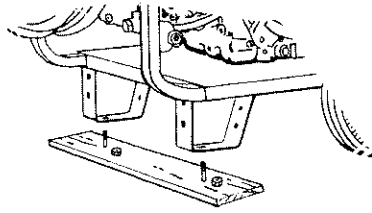
- Note:** Included with your pressure washer is a video tape on how to prepare your unit for operation. It is recommended you view this tape before performing the next steps.
- Place handle on frame.
 - Insert bolts into holes provided in handle.
 - Line up handle and bolts with the holes provided on frame.
 - Insert bolts through holes in frame.
 - Place washers and over inserted bolts. Next place nuts over bolts and tighten with adjustable wrench turning in clockwise direction.



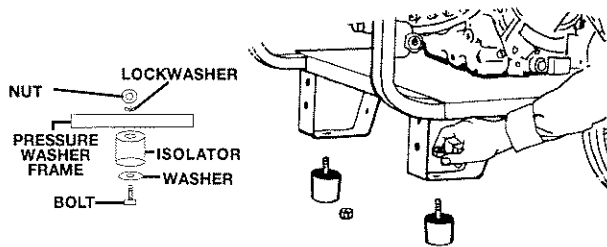
- Attach chemical basket to the pressure washer frame opposite side of muffler. Holes are provided on frame.



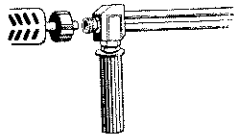
- Remove wood plank from the frame of the unit. An adjustable wrench is required. Discard bolt and board.



- Mount the rubber isolator to the frame. To mount isolator place threaded end of bolt through the washer. Next with washer on bolt place threaded end of bolt through the rubber isolator. Place threaded portion of isolator through the same hole location the wood plank was mounted to on the pressure washer. Next place lockwasher over threaded portion of nut that has been placed through the mounting hole in the pressure washer and use nut to tighten isolator to the frame. Tighten nut with an adjustable wrench. All isolator parts are supplied in parts bag.

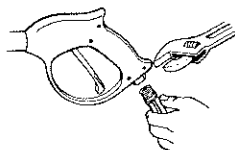


- Connect wand with nozzle extension to gun. To tighten, turn knob in clockwise direction. Hand tighten.

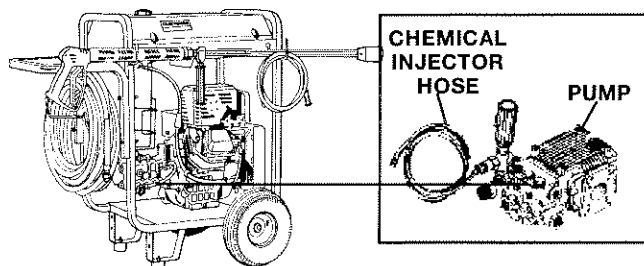


- Cut tie wrap off of high pressure hose. Unwind high pressure hose to attach the threaded end to the gun.

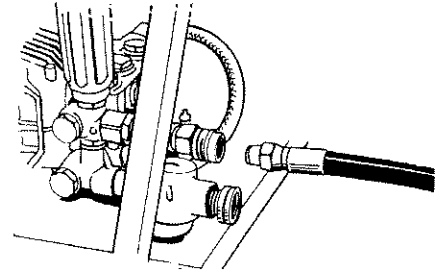
NOTE: Do not remove Teflon tape on threads.



- Connect chemical hose to the chemical injector nipple on the pump.

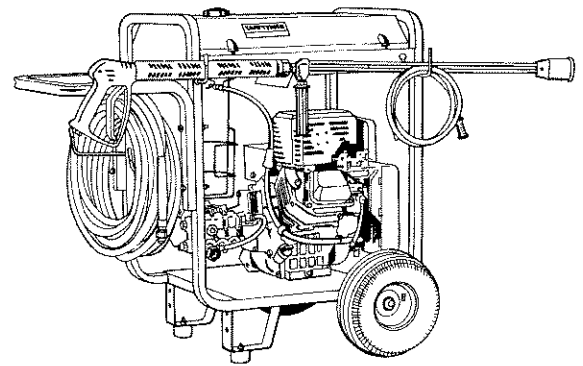


- Connect high pressure hose to the quick connect outlet on pressure washer.

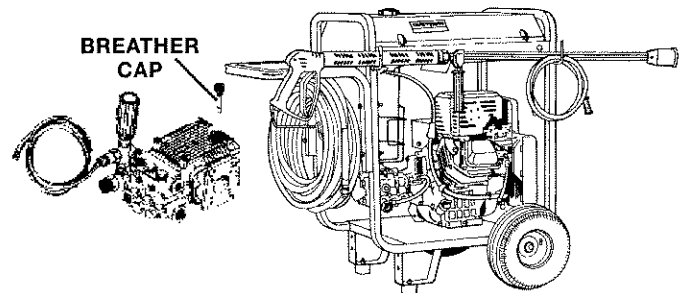


NOTE: Keep hose away from engine muffler.

- Place assembled gun and wand on pressure washer holder.



NOTE: Your unit's pump is shipped with a temporary plug that must be replaced with a breather cap. This plug is located over the pump's oil port. Unscrew and remove this plug. Remove the breather cap from the bag attached to the plug and install it in the pump's oil port.



▲ CAUTION: Failure to replace the plug will result in serious pump damage.

Checklist

Before going any further please review the following:

- Be sure you have completed assembly instruction.
- Double check all fittings to be sure they are tight.

IMPORTANT: Before any attempt to start your pressure washer be sure to check engine oil (See Operation under Adding Engine Oil.)

OPERATION

Know Your High Pressure Washer

Read this Owner's Manual and Safety Rules before operation of your High Pressure Washer Compare this illustration with our pressure washer to familiarize yourself with the location of various controls and adjustments. Save this manual for future reference.

PUMP- Develops high pressure.

ENGINE OIL FILL- Place where engine oil is poured.

PRESSURE REGULATOR- Allows you to adjust the pressure of the outlet stream.

ENGINE RUN/STOP SWITCH- Sets engine in starting mode for recoil starter — **Stops** running engine.

RECOIL STARTER- Used for starting the engine manually.

SPRAY GUN ASSEMBLY- Controls the application of water onto cleaning surface with trigger device.

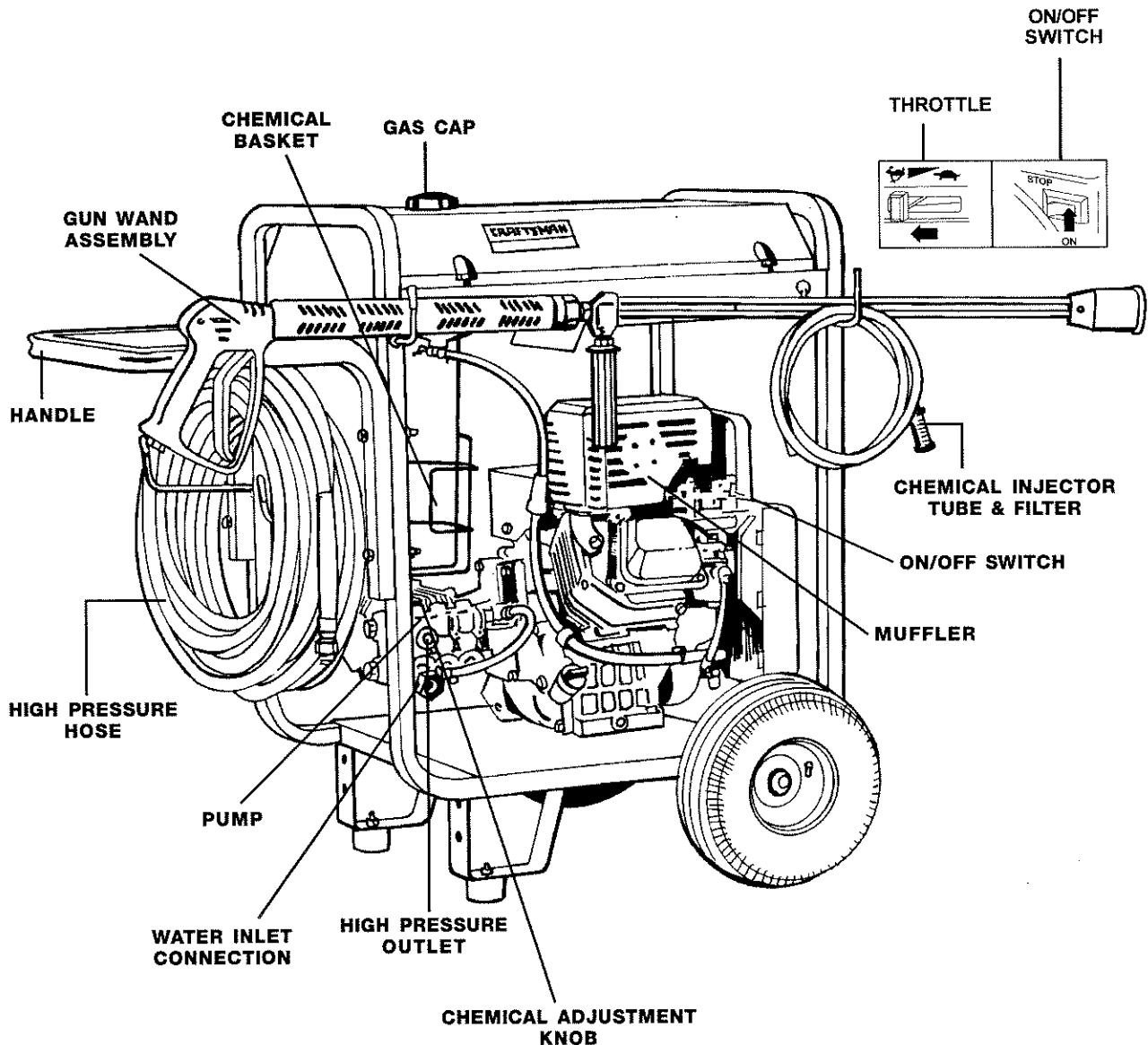
PUMP OIL FILL- Port where pump oil is poured and breather cap is located.

GAS TANK/CAP- Cap is removed and unleaded gasoline is poured.

CHEMICAL INJECTION TUBE AND FILTER- Mixes water and detergent in outlet water flow.

HIGH PRESSURE OUTLET- Connection for high pressure hose.

CHOKE- Lever used for starting unit.



▲ Warning: Read Owner's Manual. Do not attempt to operate equipment until you have read Owners Manual for Safety, Operation, and Maintenance Instructions.

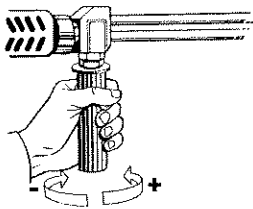
Note: Included with your unit is a video cassette that demonstrates how to operate your pressure washer. If you have a video cassette recorder you should view the video before operation.

▲ Warning: Never adjust spray pattern when spraying. Never put hands in front of spray nozzle to adjust spray pattern because you could be injured.

How To Use Your Pressure Washer

On the end of your spray gun is a handle that you can twist from side to side. With this handle you can adjust the spray pattern to either high pressure or low pressure.

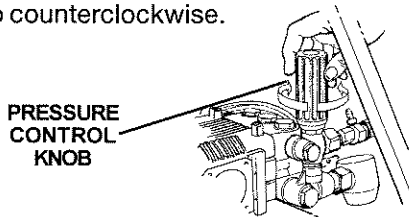
- Twist the handle in a clockwise direction to achieve low pressure. Twist handle counterclockwise for high pressure.



- For most effective cleaning, keep spray nozzle between 8 and 24 inches of cleaning surface.

IMPORTANT: If you get spray nozzle too close, especially on high pressure, you may damage the cleaning surface.

- The pressure control knob is located on the pump. You can increase the pressure by turning the knob clockwise or decrease the pressure by turning the knob counterclockwise.



NOTE: The maximum pressure for the unit is factory adjusted. Do not attempt to adjust beyond this factory setting.

Using Soaps/Chemicals

IMPORTANT: Use soaps and chemicals that are designed specifically for use with pressure washers. To apply soap/chemicals follow these steps:

- Prepare the soap/chemical as required by your job.
- Insert soap/chemical line into your container (soap/chemicals not included).

- Prepare the soap/chemical as required by your job.
- Insert soap/chemical line into your container (soap/chemicals not included).

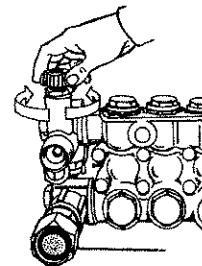


NOTE: The first step involves applying an appropriate soap/chemical solution to penetrate and loosen grime. The soap/chemical applied at low pressure to avoid splashing, over spray and waste. Leave the solution on surface for 3 to 5 minutes to allow solution to work.

NOTE: The second step involves cleaning the surface you have prepared with the pressure washer and then rinsing it clean.

- Turn the adjustable nozzle counter clockwise to low pressure mode. Soap/chemicals cannot be applied with nozzle in high pressure position.
- Review the use of the adjustable nozzle.
- Connect garden hose to water inlet (see "To Start Your Pressure Washer"), check that high pressure hose is connected to spray gun and pump (see *Assembly*), and start engine.
- Apply soap/chemicals to dry surface, starting from the bottom and working up.
- Allow the soap/chemicals to soak in between 3-5 minutes before washing and rinsing.
- For cleaning, start at lower portion of area to be washed and work upward, using long, even overlapping strokes.

Your pressure washer is equipped with a chemical injector adjustment knob. With the knob fully opened you will get a 7 to 1 water to chemical ratio. With knob fully closed you will get **no** chemical draw. Turn knob in clockwise direction to achieve more chemical draw and counterclockwise for less chemical draw.

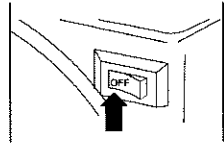


- After using the pressure washer, it is recommended the pump, chemical injector and chemical line be flushed with clear water. To do so, simply place chemical injector hose in water and siphon for 1 to 2 minutes.

Stopping Your Pressure Washer

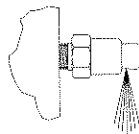
▲ CAUTION: Do not run pump without the water supply connected and turned on. Failure to do so will result in pump damage.

- To turn pressure washer off place the on/off switch to the off position.



- Simply shutting OFF engine will not release pressure in the system. Squeeze the trigger on the spray gun for about 3 seconds to relieve pressure. Spray stream will decrease in length.

IMPORTANT: This unit is equipped with a thermal relief valve. If unit is allowed to run for several minutes without pressing the trigger on the spray gun, several drops of water may be released through this valve to cool the unit. This small amount of water will drip from the bottom of the pump.



BEFORE STARTING THE ENGINE

To operate the engine you will need to do the following.

▲ CAUTION: Always check engine oil level before every start. Running engine low of oil or out of oil could result in serious damage.

▲ CAUTION: Always check pump oil level before every start. Running pump low on oil could result in pump damage.

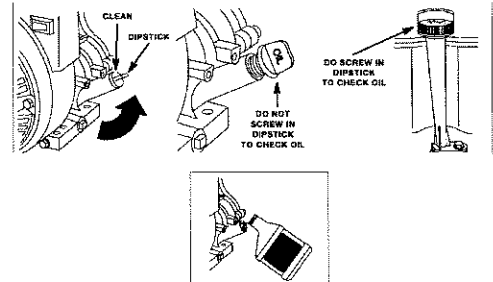
Adding Pump Oil

Before running the high pressure washer, check the pump oil level by viewing the sight glass on the side of the pump. When properly filled, the oil will be at the half way point marked by the two triangles. Your pressure washer pump is shipped with oil. Add only if oil level is lower than the half way point on the sight glass. **Do not overfill.** Use 30 weight non-detergent oil if necessary.

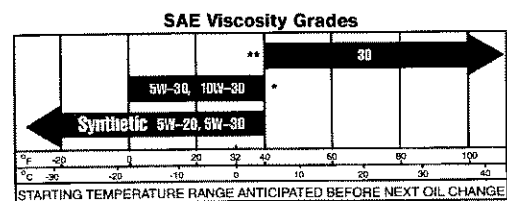
▲ CAUTION: Do Not use engine oil that has been shipped with your unit in your pump. Engine oil is detergent and your pump uses a non-detergent oil. Detergent oil can cause damage to your pump.

Engine Oil

Your unit has been shipped without oil in the engine. A bottle of SAE 30 weight oil is included in the carton. Remove oil dip stick located on the side of engine. The oil dip stick is clearly marked with a lines that tells you when unit has enough oil. Do not fill above this point. Pour slowly.



NOTE: When adding oil to the engine crankcase, use a high quality detergent oil classified "For Service SF, SG, SH rated SAE 30 weight. Use no special additives. Select the oil's viscosity grade according to your expected operating temperatures.



Air cooled engines run hotter than automotive engines. The use of multi-viscosity oil such as (10W-30, etc.) in ambient temperatures above 40°F (4°C) will result in higher than normal oil consumption. If multi-viscosity oil is used, check the oil level more frequently to prevent any possible engine damage due to lack of lubrication.

Use of SAE30 oil below 40°F (4°C) will result in hard starting and possible engine damage due to inadequate lubrication.

Gasoline

Your pressure washer engine is 4 cycle. Use unleaded fuel only.

▲ CAUTION: Do not overfill the fuel tank. Always allow room for fuel expansion.

▲ WARNING: Never fill fuel tank indoors. Never fill fuel tank when engine is running or hot. Do not smoke or have open flame when filling fuel tank.

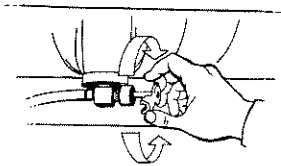
Use clean, fresh, regular unleaded gasoline with a minimum of 85 octane. Do not mix oil with gasoline. If unleaded fuel is not available, leaded fuel may be used.

IMPORTANT: It is important to prevent gum deposits from forming in essential fuel system parts such as the carburetor, fuel filter hose or tank during storage. Also, experience indicates that alcohol-blended fuels (called gasohol or using ethanol or methanol) can attract moisture which leads to separation and formation of acids during storage. Acidic gas can damage the fuel system of an engine while in storage. To avoid engine problems, the fuel system should be emptied before storage of 30 days or longer. Never use engine or carburetor cleaner products in the fuel tank or permanent damage may occur.

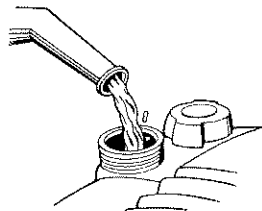
NOTE: Never start pressure washer without water source turned on and connected to pressure washer.

To Start Your Pressure Washer

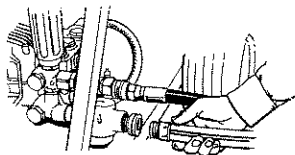
Make sure fuel shutoff valve is turned to the open position. Turn counter-clockwise to open.



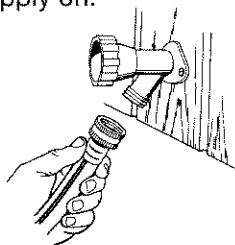
- Remove gas cap.
- Add unleaded gasoline, slowly, to fuel tank.
- Do not overfill.



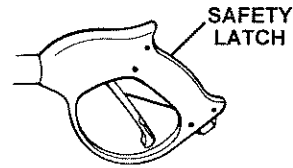
- Connect garden hose to the water inlet on the pressure washer. Tighten by turning water inlet counterclockwise.



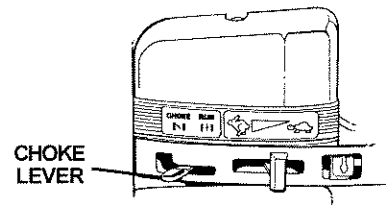
- Connect high pressure hose to discharge on pump.
- Connect the garden hose to the water spout and turn water supply on.



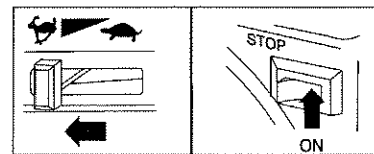
- Squeeze trigger on pressure washer wand to relieve air pressure caused by turning on the water. Water will spew out of the gun in a thin stream. This will make it easier to start the engine.
- Engage the safety latch on the spray gun. This locks the trigger in place and keeps you from accidentally spraying a high pressure stream.



- On the engine there is a choke/run lever. Place lever to the choke position.



- On the engine there is a throttle control lever. Place throttle to the rabbit position. Always start engine with throttle in the rabbit position.



- Grasp the starter grip and pull slowly until resistance is felt, then pull firmly to start engine.
- Grasp the starter grip and pull slowly until resistance is felt, then pull firmly to start engine.
- When engine starts, gradually move choke lever to RUN position.
- If engine does not start after 5 pulls, place choke back to run position.
- For hot engine starts make sure choke lever is in the run position. Make sure fuel shut off valve is open and throttle is in the rabbit position.

NOTE: If any leaks are present shut unit down and tighten fittings.

MAINTENANCE

CUSTOMER RESPONSIBILITIES TABLE				
MAINTENANCE TASK	Before each use	Every 25 hours or yearly	Every 50 hours or yearly	Every 100 hours or yearly
PRESSURE WASHER				
Check/clean inlet screen.	x			
Check high pressure hose.	x			
Check soap and chemical hose and filter	x			
Check gun and wand for leaks.	x			
Purge pump of air and contaminants	x			
Check pump oil	x			
Change pump oil			x	
ENGINE				
Check oil level	x			
Change engine oil			x	

Product Specifications

Pressure Washer Specifications

Pressure	3000
Flow Rate	3.0 GPM
Cleaning Units (psi x GPM)	9000

Engine Specifications

RPM	3600
Rated Horsepower	9.0
Spark Plug	0.030" (0.76mm)
Gasoline Capacity	7 Gallon
Oil	SAE 30 weight

General Recommendations

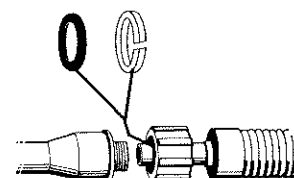
The warranty of the high pressure washer does not cover items that have been subjected to operator abuse or negligence. To receive full value from the warranty, operator must maintain high pressure washer as instructed in this manual.

Some adjustments will need to be made periodically to maintain your high pressure washer.

All adjustments in the Maintenance section of this manual should be made at least once each season.

Once a year you should clean or replace the spark plug and clean or replace the air filter and check the gun and wand assembly for wear. A clean spark plug and clean air filter assure proper fuel-air mixture and help your engine run better and last longer.

NOTE: Over time the o-rings in the gun assembly become worn. Attach to your owners manual is a set of replacement o-ring and split backup ring.



Pressure Washer Maintenance

Check and Clean Inlet Screen: Examine inlet screen on pump inlet fitting. Clean if clogged replace if torn.

Check High Pressure Hose: High pressure hose can develop leaks from wear, kinking, abuse. Inspect hose each time before use. Check for cuts, leaks, abrasions or bulging of cover, damage or movement of couplings. If any of these conditions exist, replace hose immediately.

Check Chemical/Soap Hose: Examine the chemical/soap hose and clean if clogged. Hose should fit tightly on pump fitting. Check for leaks and tears. Replace filter or hose if either is damaged.

Check Gun and Wand: Examine hose connection to gun making sure it is secure. Test trigger by pressing it and making sure it springs back into place when you release it.

Pump Oil

Pump oil level should be checked before each use.

Changing Pump Oil

Oil should be changed after the first 10 hours of operation. Subsequent changes after each 50 hours of operation. To drain oil, simply remove oil plug with an adjustable wrench. The oil plug is located at the bottom of the pump. Dispose of used oil. Properly remove pump oil fill plug. Add 30 weight non-detergent oil. Fill until oil level is at the mid point on the sight glass.

Purge Pump of Air and Contaminants

To remove the air from the pump, follow these steps:

- Set up the pressure washer as described in *Assembly* section and connect the water supply.
- Remove the wand extension from the spray gun.
- Pull the trigger on the gun and hold.

To remove the contaminants from the pump, follow these steps:

- Set up the pressure washer as described in *ASSEMBLY* section, connect the water supply.
- Remove the wand extension from the spray gun.
- Start the engine according to instructions in the *OPERATION* section.

- Pull the trigger on the gun and hold.
- When the water supply is steady and constant, disengage trigger and refasten the wand extension.

Engine Maintenance

Oil

- Oil level should be checked prior to each use or at least every 5 hours of operation. To check oil see *Adding Engine Oil* on page 9.

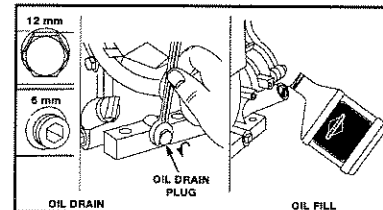
Changing Engine Oil

For a new engine, change oil after the first **5 hours** of operation. Thereafter, change oil after every **50 hours** of operation.

Change the oil while the engine is still warm. The oil will flow freely and carry away more impurities. Make sure the engine is level when filling, checking, or changing oil.

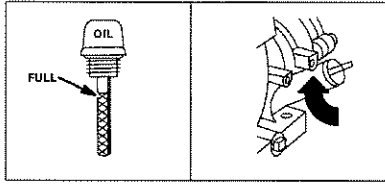
Change the oil as follows:

- To keep dirt, grass clippings, etc., out of the engine, clean the area around the drain plug and dipstick before removing it.
- Remove the oil drain plug and dipstick. Tilt the engine slightly towards the oil drain to obtain better drainage. Be sure to allow ample time for complete drainage.



- Reinstall the drain plug. Make sure it is tightened securely.
- Fill the crankcase with new oil of the proper type, to the Full mark on the dipstick. Always check the level with the dipstick before adding more oil.

- Reinstall the oil fill cap or plug and tighten securely.



Service Air Cleaner

NOTE: Do not use petroleum solvents, e.g., kerosene, which will cause the cartridge to deteriorate. Do not use pressurized air to clean cartridge. Pressurized air can damage the cartridge.

To service air cleaner follow these steps:

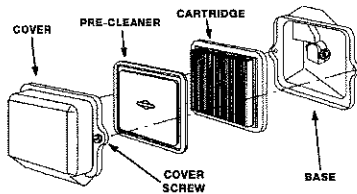
1. Unscrew cover screws. Remove cover and air cleaner assembly.
2. Remove cartridge from cover, then retainer (if equipped) and pre-cleaner.

To service pre-cleaner, wash in liquid detergent and water. Squeeze dry in a clean cloth. Saturate in engine oil. Squeeze in clean, absorbent cloth to remove all **excess** oil. Replace if very dirty or damaged.

To service cartridge, clean by tapping gently on a flat surface. Do not oil cartridge. Replace if dirty or damaged.

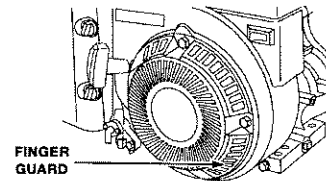
NOTE: Do not use petroleum solvents, e.g., kerosene, which will cause the cartridge to deteriorate. Do not use **pressurized air** to clean cartridge. Pressurized air can damage the cartridge.

3. Reassemble pre-cleaner or retainer (if equipped.) Place in cover with pre-cleaner mesh side toward cartridge. Place cartridge in retainer in cover.
4. Push cover and air cleaner assembly squarely onto base (tabs must be in slots, if equipped) and hold firmly. Tighten cover screws securely.

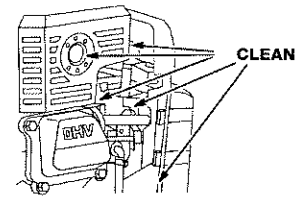


Keep engine and parts clean!

Do not clean engine with a forceful spray of water because water could contaminate fuel system. With a brush or cloth clean finger guard after every use to prevent engine damage caused by overheating.

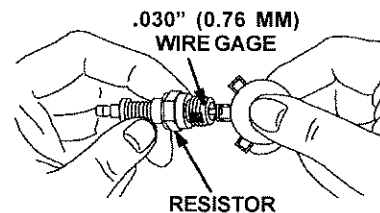


Before running engine, clean muffler area to remove all combustible debris.



Clean and Replace Spark Plug

Change the spark plug every 100 hours of operation or once each year, whichever comes first. This will help your engine to start easier and run better.



SERVICE AND ADJUSTMENTS

Carburetor

The carburetor of your high pressure washer is pre-set at the factory. The carburetor should not be tampered with. If your pressure washer is used at an altitude in excess of 5000 feet consult with your nearest Sears Service Center regarding high altitude set changes.

▲ CAUTION: Engine speed was properly adjusted at the factory and should require no additional adjustment. Do not attempt to change engine speed. If you believe the engine is running too fast or too slow, take your pressure washer to a Sears Authorized Service Center for repair and adjustment.

▲ High engine speeds are dangerous and increase the risk of personal injury or damage to equipment.

▲ Low engine speeds impose a heavy load on the engine and when sufficient engine power is not available could shorten engine life.

Nozzle Maintenance

Dual Lance:

1. Shut off the pressure washer and turn off the water supply.
2. Disconnect spark plug wire.
3. Pull trigger on gun handle to relieve any water pressure.
4. Disconnect the wand/lance from the gun.
5. Remove the high-pressure nozzle from the lance. Remove any obstructions with the nozzle cleaning tool provided and backflush with clean water.
6. Direct water supply into nozzle end to backflush loosened particles for 30 seconds.
7. Reassemble the nozzle to the lance using teflon tape to prevent leaks. Tighten securely.
8. Reconnect wand/lance to gun and turn on water supply.
9. Start pressure washer and place wand/lance into high pressure setting to test.

STORAGE

This pressure washer should be stored in such a way to protect it from freezing. Do not store this unit outdoors or in an area where temperatures will fall below 32° F. This can cause extensive damage to this unit.

If unit has to be stored under freezing conditions a non-toxic R.V. anti-freeze can be used to protect from freezing.

Preparing Pressure Washer for Storage

NOTE: If you do not plan to use your unit for 30 days or more, unit should be prepared for storage.

Engine Preparation

- First add a fuel stabilizer to the fuel tank.
- Run pressure washer for full 5 minutes to allow fuel stabilizer to enter the fuel system.

NOTE: While doing this procedure make sure water supply is turned on and flowing to the unit. **NEVER** run unit without water supply running through pump.

- Next shut off engine and disconnect the water supply.
- Disconnect the spark plug wire and remove the spark plug.

- Add one teaspoon of oil through the spark plug hole.
- Place rag over spark plug hole and pull the recoil a few times to lubricate the combustion chamber.
- Replace the spark plug, but do not connect the spark plug wire.

Pump Preparation

- Be sure engine switch is in "OFF" position and spark plug wire has been removed from spark plug.
- Pull the trigger on the spray gun to release the pressure in the high pressure hose. Detach high pressure hose and garden hose from the unit.
- Pull the recoil on the engine 4 to 6 times to discharge remaining water in pump.
- Tip the unit on the end with the water inlet fitting pointing upward.
- Pour approximately 1/4 cup of non-toxic R.V. anti-freeze down the fitting where the water hose attaches to the pump.
- Set unit upright and pull starter handle on engine 4 to 6 times to circulate anti-freeze in pump until anti-freeze is discharged from the pump.

TROUBLESHOOTING

SYMPTOM	CAUSE	SOLUTION
Engine won't start	<ol style="list-style-type: none"> 1. Engine throttle is in "OFF" Position. 2. Choke lever has not been placed to choke. 3. Pressure buildup after initial use. 	<ol style="list-style-type: none"> 1. Slide throttle to "Rabbit" position. 2. Slide choke lever to choke position. 3. Depress trigger gun.
Won't Draw Chemical	<ol style="list-style-type: none"> 1. Nozzle not in chemical draw position. 2. Chemical screen is obstructed. 3. Chemical screen not working. 4. Chemical injector orifice obstructed or stuck. 5. Chemical injector closed. 	<ol style="list-style-type: none"> 1. Place nozzle to low pressure. 2. Check chemical screen; clean if obstructed. 3. Make sure chemical screen is submerged in chemical/water. 4. Check and clean. 5. Open chemical injector by turning adjustment knob.
Pump running normally but pressure does not achieve rated values	<ol style="list-style-type: none"> 1. Water supply restricted. 2. Nozzle is in low PSI position. 3. Nozzle incorrect or worn. 4. Pump sucking air. 5. Nozzle blocked. 	<ol style="list-style-type: none"> 1. Check water supply and filter screen for blockage. Check hoses for blockage, kinks, leaks, etc. 2. Twist handle for high pressure. 3. Check and replace. 4. Check that hoses and fittings are air-tight. 5. Clean nozzle.
Fluctuating Pressure	<ol style="list-style-type: none"> 1. Pump sucking air. 2. Garden hose inlet strainer clogged. 3. Worn Seals or Packing. 4. Inadequate water supply. 5. Fouled or dirty inlet or discharge valves. 6. Leaky discharge hose. 	<ol style="list-style-type: none"> 1. Check that hoses and fittings are air tight. Purge air from garden hose. 2. Clean. Check filter frequently. 3. Check and replace. 4. Check hose for kinks. 5. Check flow available to pump. Check for excessive heat, 145° F or above. 6. Clean inlet and discharge valve assemblies. Replace if damaged.
Pressure drops after period of normal use	<ol style="list-style-type: none"> 1. Nozzle clogged, partially obstructed. 2. Nozzle worn. 3. Pump Valves worn, dirty or stuck. 4. Worn pump piston packing. 	<ol style="list-style-type: none"> 1. Use nozzle cleaning kit to clear obstruction. (See Nozzle Maintenance under Service Adjustment.) 2. Clean or replace. 3. Check and replace. 4. Check and replace.
Pump noisy	<ol style="list-style-type: none"> 1. Water too hot. 2. Pump sucking air. 3. Valves dirty or worn. 4. Worn bearings. 	<ol style="list-style-type: none"> 1. Reduce temperature below 63° C or 145° F. 2. Check that hoses and fittings are air tight. 3. Check, clean or replace. 4. Check and replace if necessary.
Presence of water in oil (oil milky).	<ol style="list-style-type: none"> 1. High humidity. 2. Piston packing and oil seal worn. 	<ol style="list-style-type: none"> 1. Change Oil. 2. Check and replace oil seals.
Water dripping from pump	<ol style="list-style-type: none"> 1. Thermal relief functioning normal. 2. Fittings Loose. 3. O-rings of piston guide or retainer worn. 4. Piston packing worn. 	<ol style="list-style-type: none"> 1. Protecting pump, if not using pressure washer for a long period of time, shutoff engine. 2. Tighten. 3. Check and replace. 4. Check and replace.
Oil Dripping	<ol style="list-style-type: none"> 1. Oil seal worn 2. Loose drain plug or worn drain plug o-ring. 	<ol style="list-style-type: none"> 1. Check and replace 2. Tighten drain plug or replace O-ring. Do not over torque.

PUMP PARTS

CRAFTSMAN 3000 PSI HIGH PRESSURE WASHER 919.763010

PUMP NUMBER PK16803

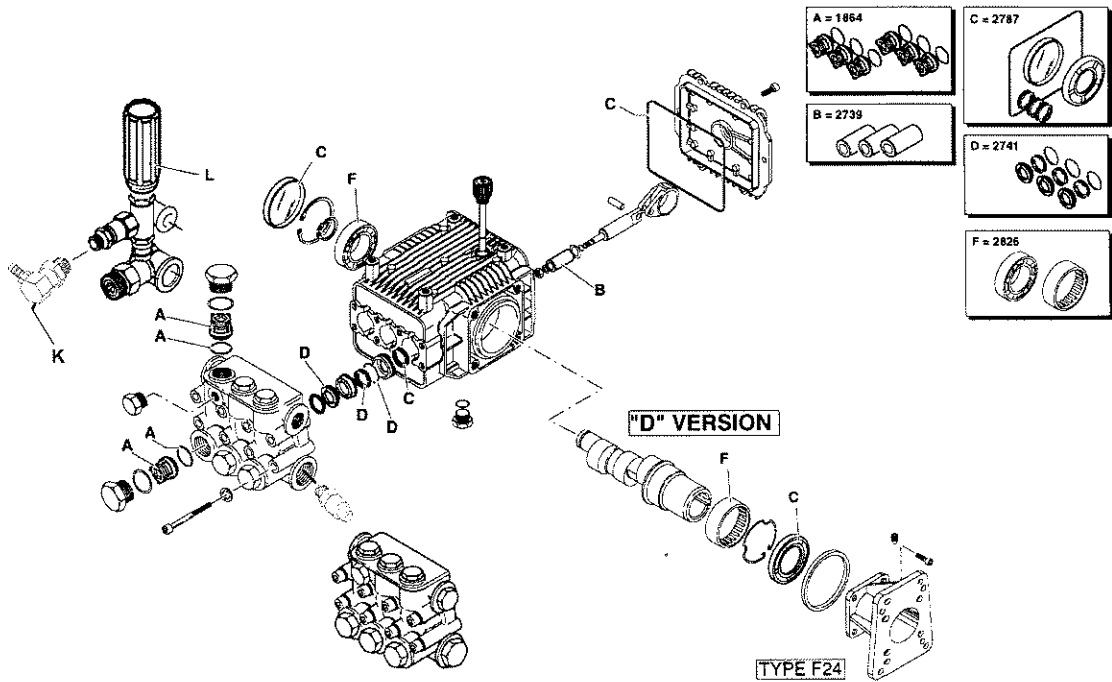
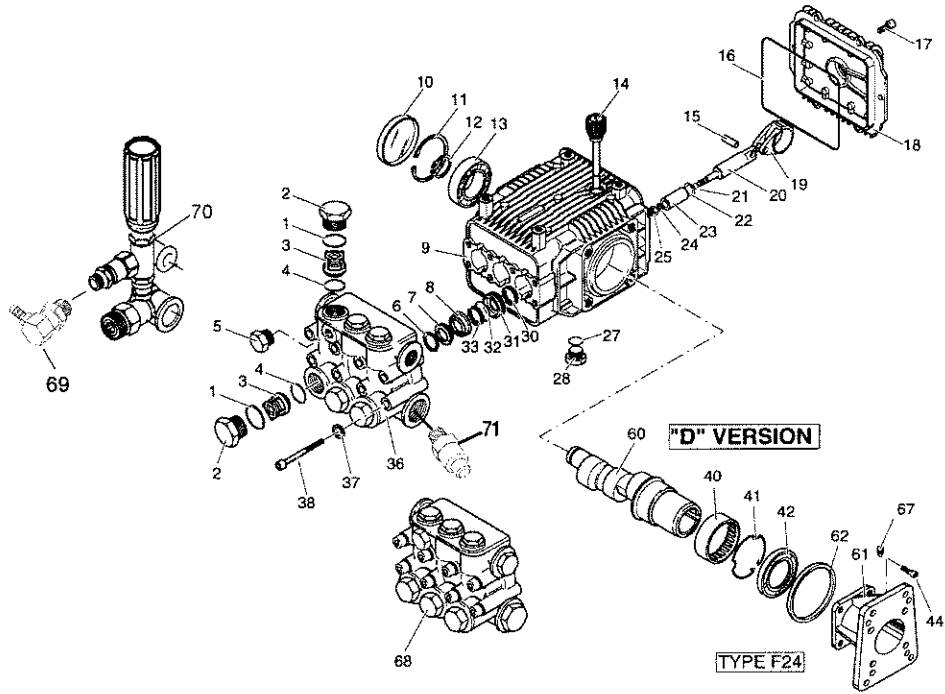
REF. NO.	PART NO.	DESCRIPTION	QTY.	REF. NO.	PART NO.	DESCRIPTION	QTY.
1	AR-960160	O-Ring	6	23	AR-1780070	Piston	3
2	AR-1260162	Plug	6	24	AR-1260100	Piston washer	3
3	AR-1269050	Complete valve	6	25	AR-1260110	Nut	3
4	AR-880830	O-Ring	6	27	AR-740290	O-Ring	2
5	AR-620301	Plug	1	28	AR-880530	Plug	2
6	AR-1780130	Support ring	3	30	AR-1260460	Seal	3
7	AR-1260130	Gasket	3	31	AR-1780100	Rear piston guide	3
8	AR-1780090	Piston guide	3	32	AR-770260	O-Ring	3
9	AR-1780010	Pump body	1	33	AR-1260440	Gasket	3
10	AR-1266740	Cap	1	36	AR-1780380	Head	1
11	AR-1260790	Circlip	1	37	AR-1381550	Washer	8
12	AR-1780550	Snap ring	1	38	AR-680570	Screw	8
13	AR-1780490	Bearing	1	40	AR-1321160	Bearing	1
14	AR-880130	Oil cap	1	41	AR-1321080	Snap ring	1
15	AR-1780050	Piston pin	3	42	AR-480671	Seal	1
16	AR-1780510	O-Ring	1	44	AR-180030	Screw	4
17	AR-1200430	Screw	6	60	AR-1780340	Hollow shaft 0 1	1
18	AR-1789010	Complete cover	1	61	AR-1380550	Gas engine flange	1
19	AR-1780040	Con rod	3	62	AR-1780430	13ushing	1
20	AR-1780060	Guiding piston	3	67	AR-820440	Grub screw	1
21	AR-480480	O-Ring	3	68	AR-1789200	Pump head pre-ass	1
22	AR-1260091	Spacer disc	3	69	16802	Chemical Injector	1
				70	16749	Unloader	
				71	16506	Thermal Relief Valve	1

PARTS KITS							
A=KIT 16739 Valves		B=KIT 16746 Pistons		C=KIT 16748 Oil Seals for D Version			
Pos.	Qty.	Pos.	Qty.	Pos.	Qty.		
3	6	23	3	10	1		
4	6			16	1		
				30	3		
				42	1		
D=KIT 16745 Water Seals		F=KIT 16749 Bearings		L=KIT 16750 Unloader		K=KIT 16802	
Pos.	Qty.	Pos.	Qty.	Pos.	Qty.	Pos.	Qty.
7	3	13	1	70	1	69	1
32	3	40	1				
33	3						

PUMP PARTS

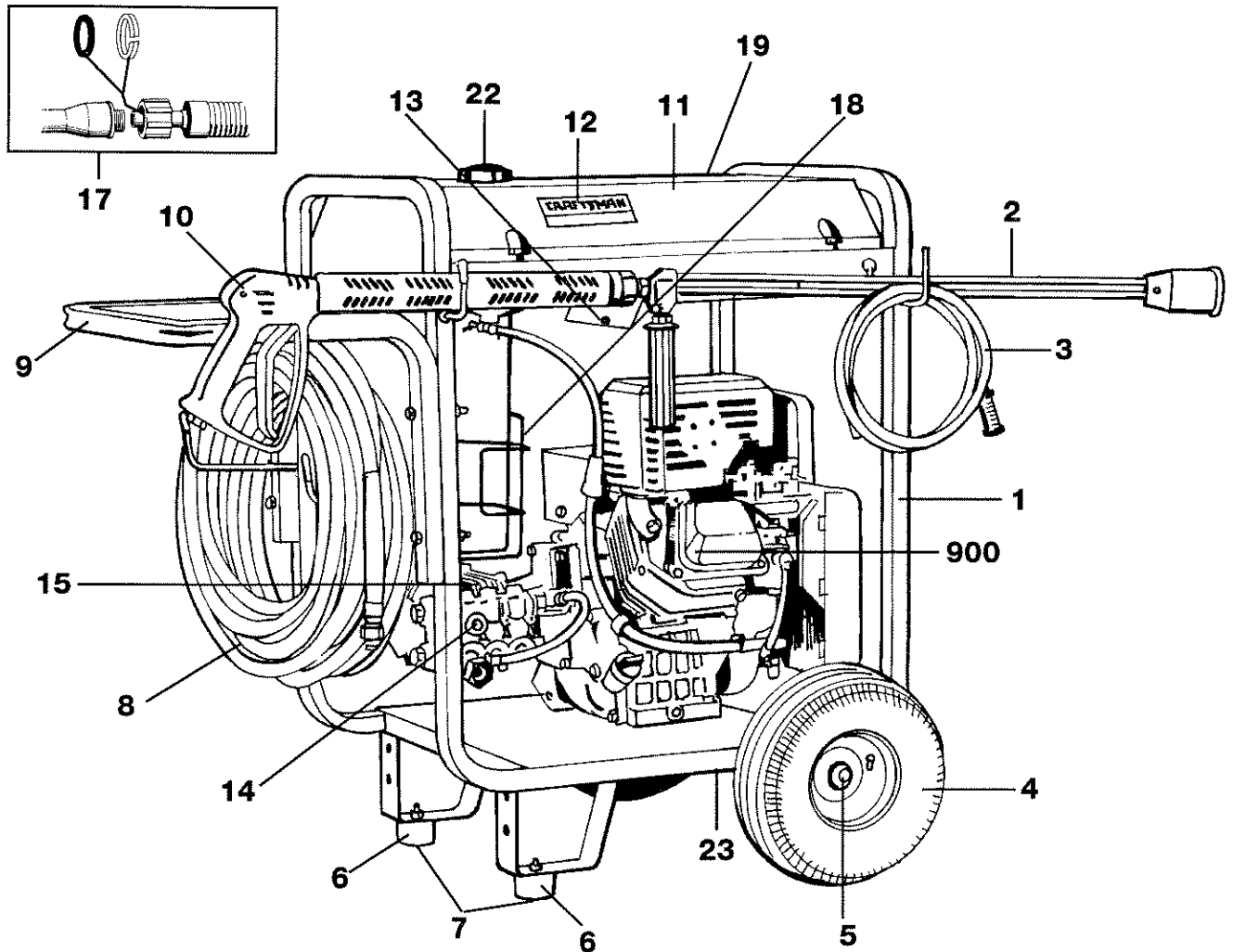
CRAFTSMAN 3000 PSI HIGH PRESSURE WASHER 919.763010

PUMP NUMBER PK16803



PARTS

CRAFTSMAN 3000 PSI HIGH PRESSURE WASHER 919.763010



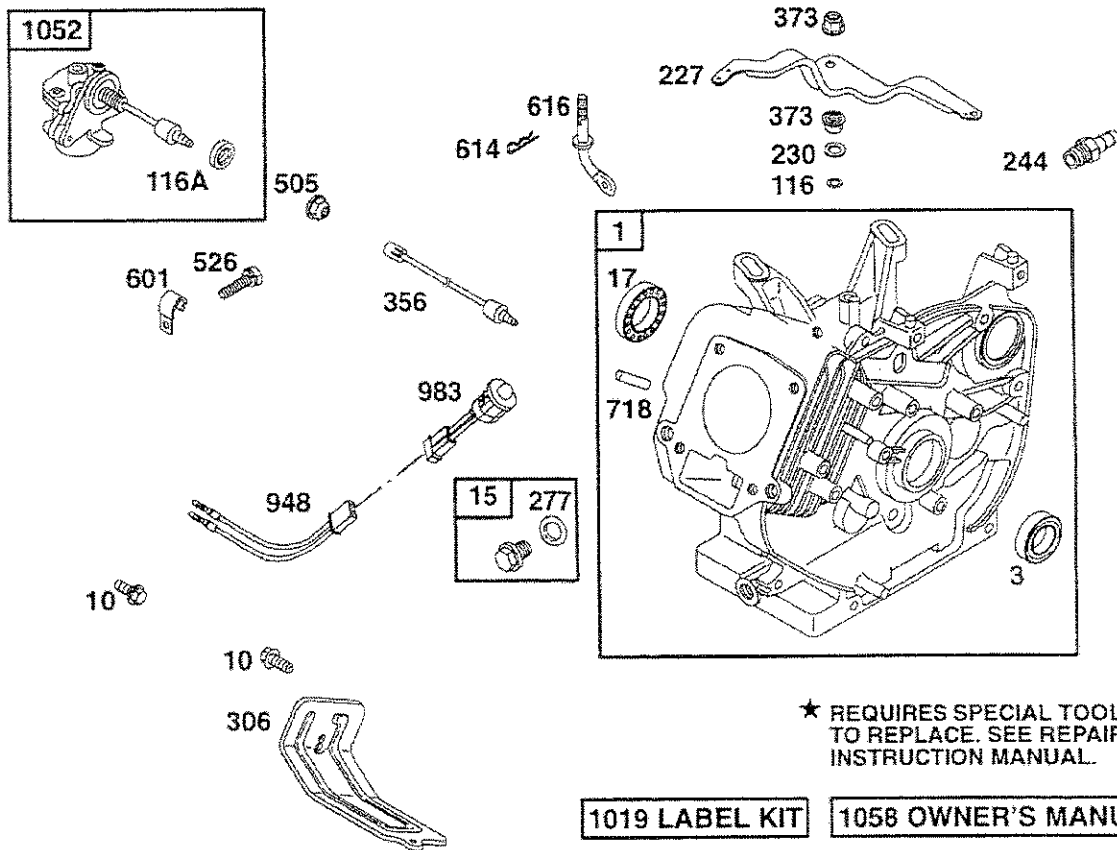
KEY #	PART NUMBER	DESCRIPTION	KEY #	PART NUMBER	DESCRIPTION
1	16575	Frame	22	16597	Fuel Cap
2	16824	Dual Lance	23	16611	Axle
3	H100	Chemical Hose	26	F112	Washer, Flat
4	16588	Tire Pnuematic			
5	F464	Nut Pal 5/8"			
6	16371	Rubber Foot			
7	F064	Screw, Hex HDC			
8	15911	Hose			
9	16586	Handle			
10	16496	Gun			
11	16652	Tank			
12	16610	Decal Craftsman			
13	16763	Heat Shield			
14	F039	Hose Quick Connect			
15	PK16803	Pump			
900	----	Engine (Refer to Engine Breakdown Briggs #185432-0035-A1)			
17	16830	O-Ring Kit			
18	16593	Chemical Basket			
19	16728	Decal Operation Instruction			

PARTS NOT ILLUSTRATED	
MGP-763010	Owners Manual
F078	Lockwasher, Engine to Frame
F119	Nut Hex 5/16" - Engine to Frame
F066	Screw 5/16" - Engine to Frame
F107	Lockwasher- Pump to Engine
16106	Srew, Hex- Pump to Engine
F074	Flat Washer - Pump to Engine
NCT001	Nozzle Cleaning Tool
16776	Easy Start Valve

ENGINE PARTS

CRAFTSMAN 3000 PSI HIGH PRESSURE WASHER 919.763010

ENGINE NUMBER 185432-0559-E1



★ REQUIRES SPECIAL TOOLS TO REPLACE. SEE REPAIR INSTRUCTION MANUAL.

1019 LABEL KIT

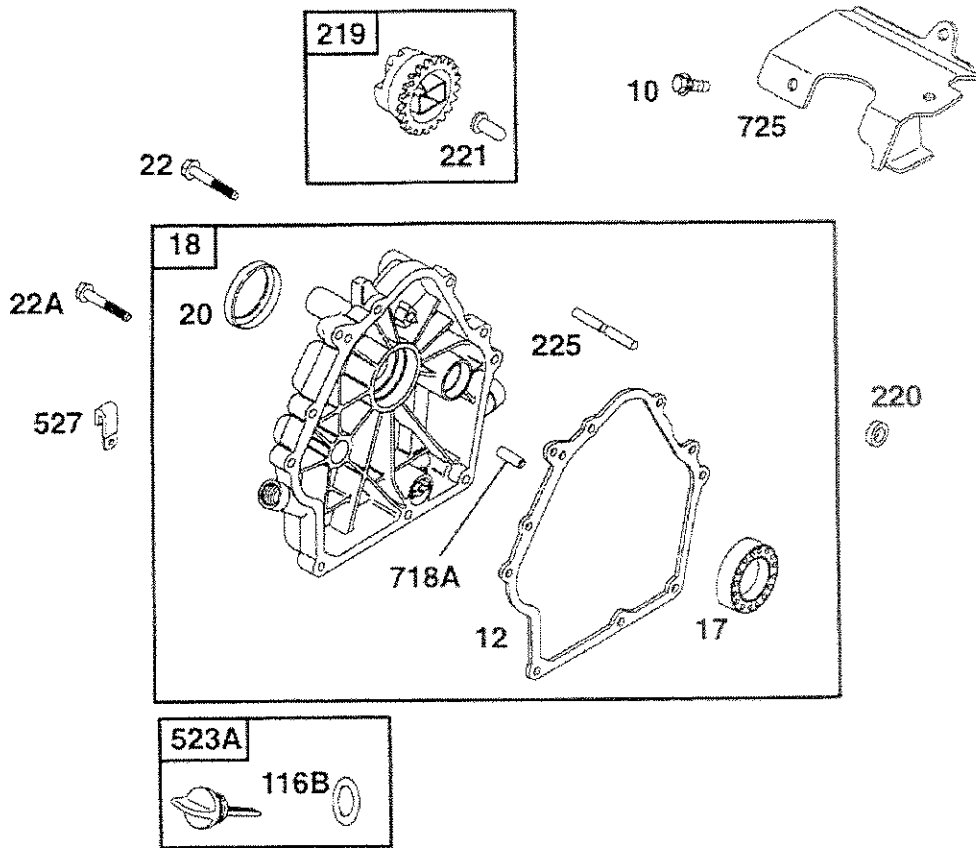
1058 OWNER'S MANUAL

REF. NO.	PART NO.	DESCRIPTION	REF. NO.	PART NO.	DESCRIPTION	REF. NO.	PART NO.	DESCRIPTION
1	715095	Cylinder Assembly	116A	710091	Seal-O-Ring	601	710407	Clamp-Hose
3	710000	Seal-Oil	227	710238	Lever-Governor	614	710056	Pin-Retainer
10	710023	Screw-Hex.	230	710058	Washer-Spacer	616	710050	Crank-Governor
15	715000	Plug-Oil Drain	244	230318	Connector-Hose	718	710005	Pin-Locating
17	710003	Bearing-Ball	277	710004	Washer-Seal	948	710417	Harness-Wiring
116	710055	Seal-O-Ring	306	710242	Shield-Cylinder	1019	715031	Label Kit
			356	710308	Wire-Oil Sensor	1052	715353	Sensor-Oil
			373	710059	Nut-Lock	1053	710408	Module
			493	710085	Bracket-Mounting Used on Type No(s). 0099.			Used on Type No(s). 0099.
			505	710090	Nut-Lock	1058	272983	Owner's Manual
			526	710089	Screw-Hex.			

ENGINE PARTS

CRAFTSMAN 3000 PSI HIGH PRESSURE WASHER 919.763010

ENGINE NUMBER 185432-0559-E1

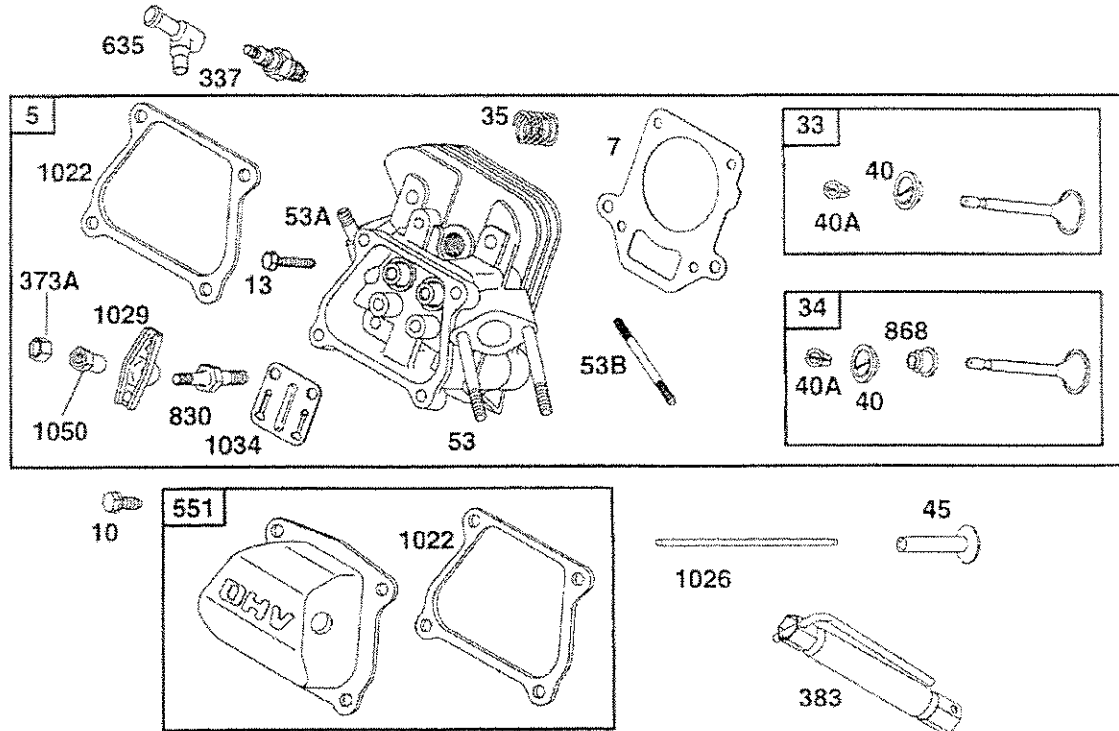


REF. NO.	PART NO.	DESCRIPTION	REF. NO.	PART NO.	DESCRIPTION	REF. NO.	PART NO.	DESCRIPTION
10	710023	Screw-Hex.	20	710215	Seal-Oil	225	710028	Shaft-Governor Gear
12	710216	Gasket-Crankcase	22	710032	Screw-Hex.	524	710394	Seal-Oil
17	710003	Bearing-Ball	22A	710306	Screw-Hex.	525	710391	Tube-Oil Fill
18	715189	Cover-Crankcase	116B	710218	Seal-O-Ring	527	710100	Clamp-Tube
			116C	805386	Seal-O-Ring	718A	710034	Pin-Locating
			219	715006	Gear-Governor	725	710259	Shield-Heat
			220	710035	Washer-Spacer			
			221	710027	Cup-Governor			

ENGINE PARTS

CRAFTSMAN 3000 PSI HIGH PRESSURE WASHER 919.763010

185432-0559-E1

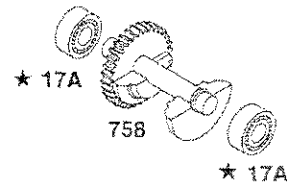
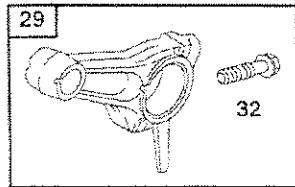
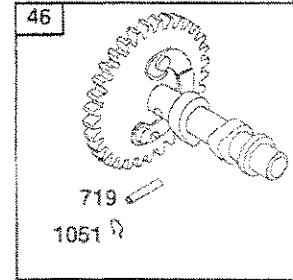
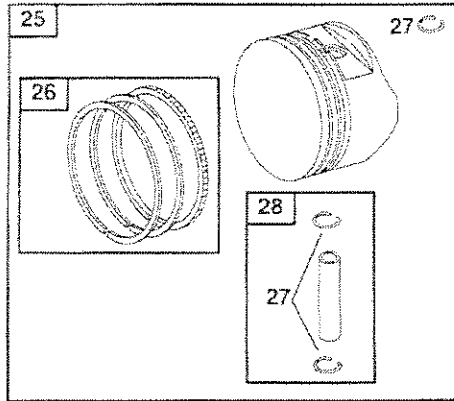


REF. NO.	PART NO.	DESCRIPTION	REF. NO.	PART NO.	DESCRIPTION	REF. NO.	PART NO.	DESCRIPTION
5	715089	Head-Cylinder	53	710233	Stud-Carburetor Mounting	383	19374	Wrench-Spark Plug
7	710205	Gasket-Cylinder Head	53A	710099	Stud	551	715091	Cover-Valve
10	710023	Screw-Hex.	337	491055	Plug-Spark	635	710098	Boot-Spark Plug
13	710204	Screw-Cylinder Head	373A	710007	Nut-Lock	830	710016	Stud-Rocker Arm
33	715085	Valve-Exhaust				868	710019	Seal-Valve
34	715087	Valve-Intake				1022	710206	Gasket-Rocker Cover
35	710209	Spring-Valve				1026	710210	Rod-Push
40	710012	Retainer-Valve				1029	710014	Arm-Rocker
40A	715130	Retainer-Valve				1034	710203	Guide-Push Rod
45	710008	Tappet-Valve				1050	710015	Adjuster-Rocker Arm

ENGINE PARTS

CRAFTSMAN 3000 PSI HIGH PRESSURE WASHER 919.763010

ENGINE NUMBER 185432-0559-E1

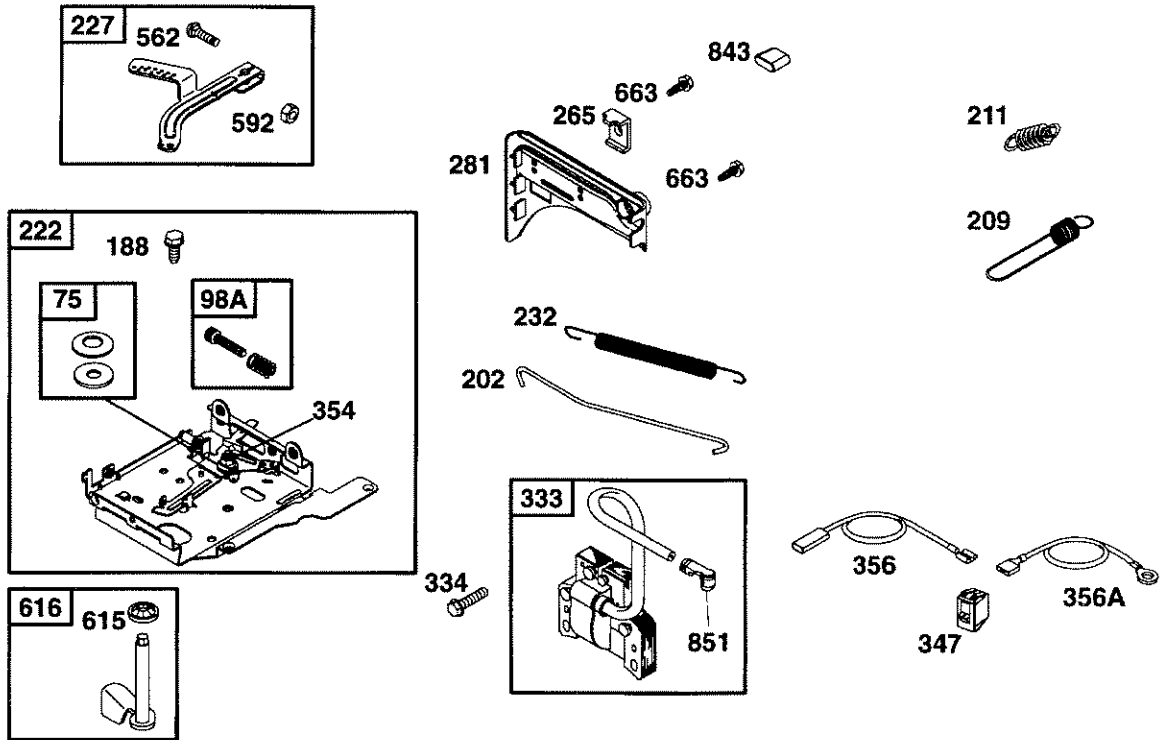


REF. NO.	PART NO.	DESCRIPTION	REF. NO.	PART NO.	DESCRIPTION	REF. NO.	PART NO.	DESCRIPTION
17A	710482	Bearing-Ball Used on Type No(s). 0099.	29	715106	Rod-Connecting (Standard) 715017 Rod- Connecting (.020" Undersize)	719	710219	Pin-Lifter
25	715115	Piston Assy. (Standard) 715116 Piston Assy. (.010" O.S.) 715117 Piston Assy. (.020" O.S.)	32	710221	Screw-Hex.	1051	710039	Ring-Retaining
26	715111	Ring Set (Standard) 715112 Ring Set (.010" O.S.) 715113 Ring Set (.020" O.S.)	46	715249	Gear-Cam			
27	710220	Lock-Piston Pin						
28	715114	Pin-Piston						

ENGINE PARTS

CRAFTSMAN 3000 PSI HIGH PRESSURE WASHER 919.763010

ENGINE NUMBER 185432-0559-E1

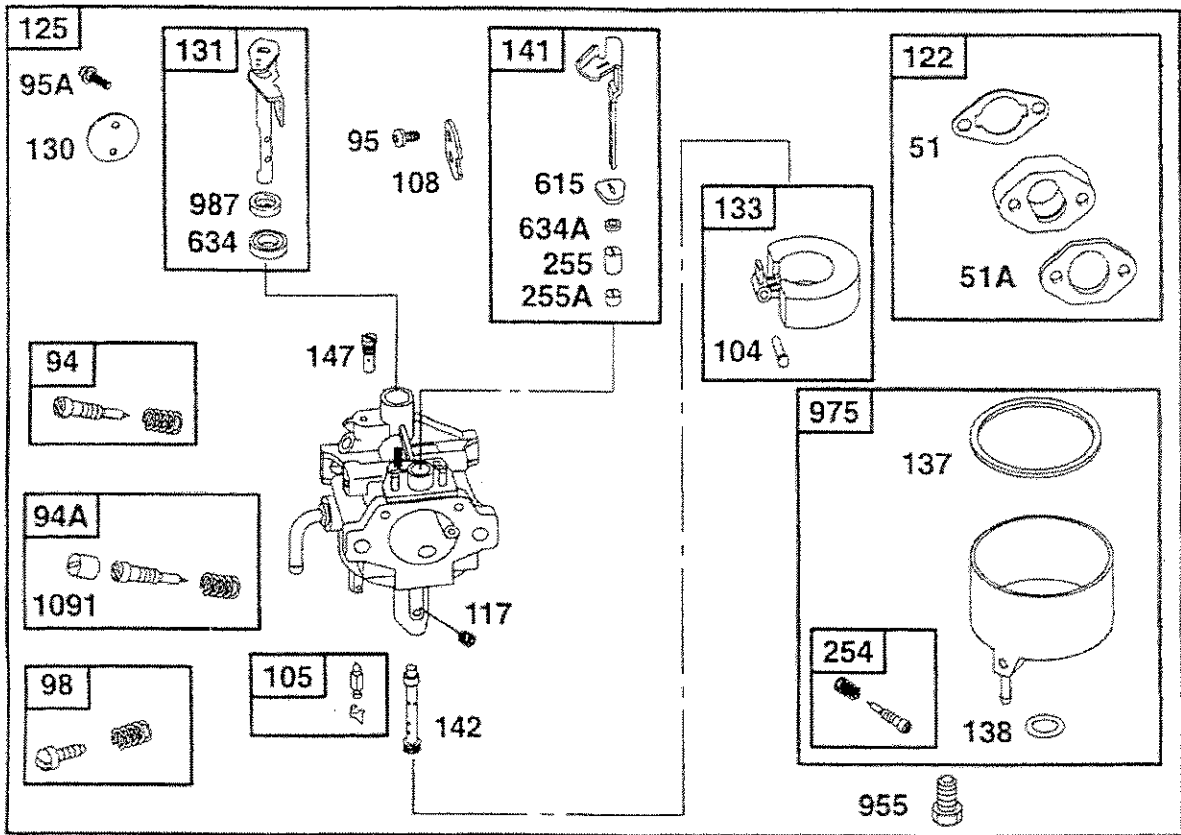


REF. NO.	PART NO.	DESCRIPTION		
16	715235	Crankshaft Used on Type No(s). 0035, 0037, 0046, 0059, 0076, 0084, 0099, 0136, 0235		

ENGINE PARTS

CRAFTSMAN 3000 PSI HIGH PRESSURE WASHER 919.763010

ENGINE NUMBER 185432-0035-A1

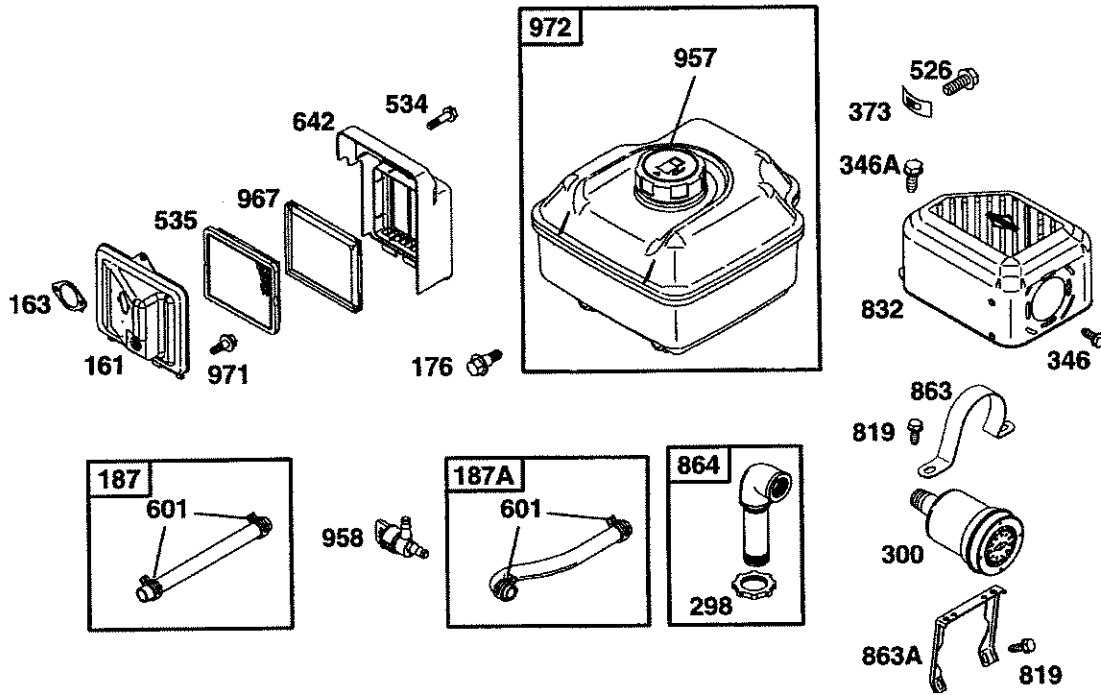


REF. NO.	PART NO.	DESCRIPTION	REF. NO.	PART NO.	DESCRIPTION	REF. NO.	PART NO.	DESCRIPTION
51	710235	Gasket-Intake	125	715121	Carburetor	141	715157	Choke-Shaft Kit
51A	710237	Gasket-Intake	130	710323	Valve-Throttle	142	710317	Nozzle-Carburetor
94	715076	Valve-Idle Adjustment	131	715154	Throttle Shaft Kit	147	710321	Jet-Pilot
94A	715293	Valve-Idle Adjustment Used on Type No(s). 0235.	133	715158	Float-Carburetor			710511 Jet-Pilot (High Altitude)
95	710191	Screw-Choke/Throttle	137		Gasket-Float Bowl (Sold in Kit Only)	254	715049	Drain-Carburetor Bowl
95A	710186	Screw-Round Head	138		Washer (Sold in Kit Only)	255	710177	Bushing-Choke Shaft (Upper)
98	494690	Screw-Idle Speed				255A	710312	Bushing-Choke Shaft (Lower)
104	710310	Pin-Float Hinge				615	710175	Retainer
105	715155	Valve-Needle				634		Washer-Throttle Shaft (Sold in Kit Only)
108	710322	Valve-Choke				634A		Seal-Choke Shaft (Sold in Kit Only)
117	710316	Jet-Main				955	710314	Plug-Carburetor
		710512 Jet-Main (High Altitude)				975	715159	Bowl-Float
122	715120	Spacer-Carburetor				987	710185	Seal-Throttle Shaft
						1091	710485	Cap-Limiter

ENGINE PARTS

CRAFTSMAN 3000 PSI HIGH PRESSURE WASHER 919.763010

ENGINE NUMBER 185432-0035-A1

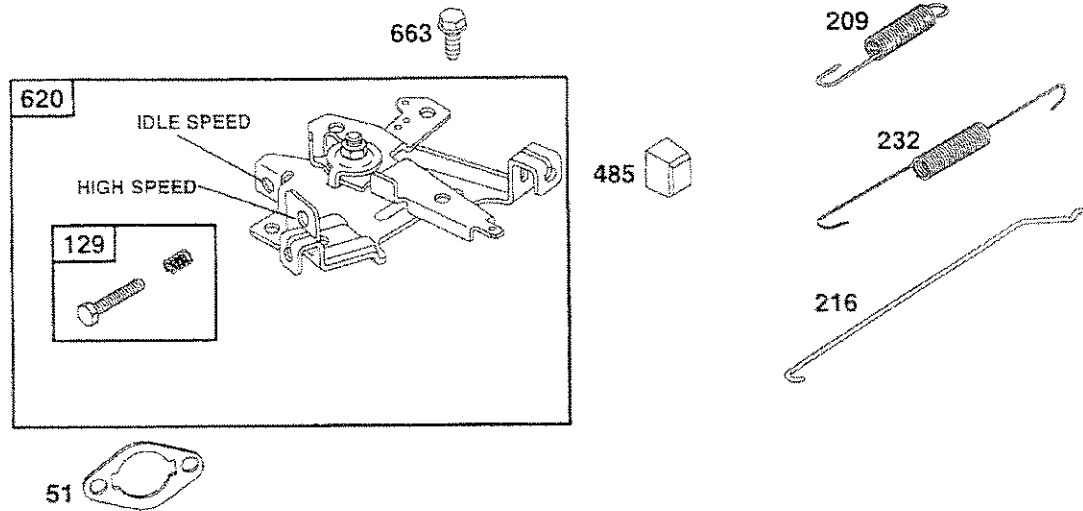


REF. NO.	PART NO.	DESCRIPTION	REF. NO.	PART NO.	DESCRIPTION	REF. NO.	PART NO.	DESCRIPTION
51	710235	Gasket-Intake	209	710258	Spring-Governor	485	280715	Knob-Control
		Note	216	710240	Link-Choke	620	715046	715025 Bracket-Control
		715024 Screw-Governor Speed (Idle & High Speed Adjustments)	232	710241	Spring-Link			Used on Type No(s). 0035, 0037, 0043, 0046, 0047, 0059, 0072, 0076, 0084, 0103, 0106, 0112, 0235.
		Used in Type No(s). 0035, 0037, 0043, 0046, 0047, 0059, 0072, 0076, 0084, 0103, 0106, 0112, 0235.	302	710081	Nut-Hex.	620A	710492	Bracket-Control
						620B	710493	Bracket-Control
						663	710057	Screw-Hex.
						1043	494232	Magnet-Electro

ENGINE PARTS

CRAFTSMAN 3000 PSI HIGH PRESSURE WASHER 919.763010

ENGINE NUMBER 185432-0559-E1

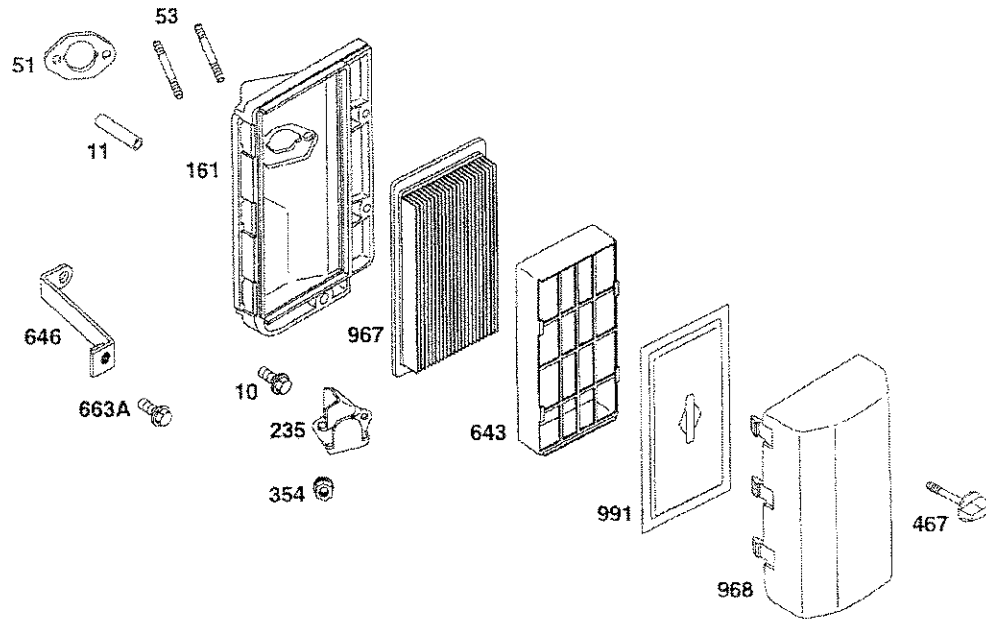


REF. NO.	PART NO.	DESCRIPTION	REF. NO.	PART NO.	DESCRIPTION	REF. NO.	PART NO.	DESCRIPTION
10	710023	Screw-Hex.	116D	280831	Seal-O-Ring	663A	710234	Screw-Hex.
11	710115	Tube-Breather	161	710226	Base-Air Cleaner	967	710226	Filter-Air
51	710235	Gasket-Intake	235	710229	Shield-Fuel Spray	968	710227	Cover-Air Cleaner
51B	272070	Gasket-Intake	354	710068	Nut-Hex.	991	710268	Filter-Air (Pre-Cleaner)
53	710233	Stud-Carburetor Mounting	467	710113	Nut-Air Cleaner			
			643	710228	Retainer-Air Filter			
			646	710232	Brace			

ENGINE PARTS

CRAFTSMAN 3000 PSI HIGH PRESSURE WASHER 919.763010

ENGINE NUMBER 185432-0559-E1

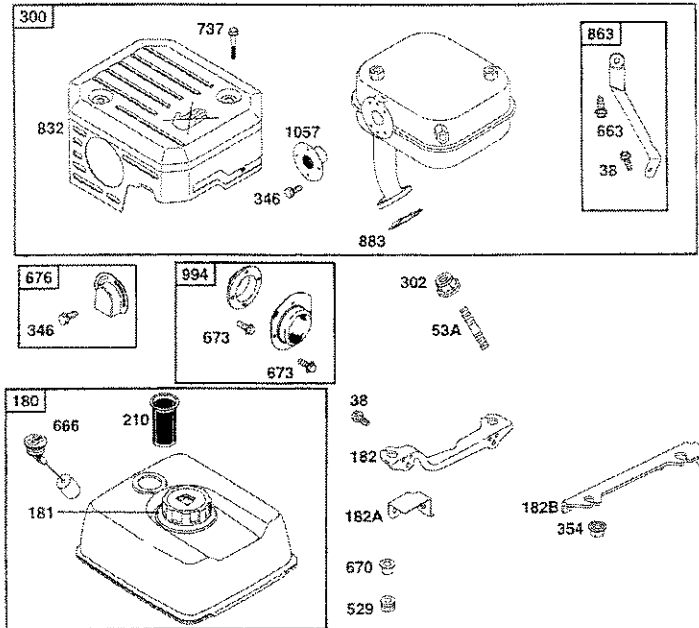


REF. NO.	PART NO.	DESCRIPTION	REF. NO.	PART NO.	DESCRIPTION	REF. NO.	PART NO.	DESCRIPTION
38	710248	Screw-Hex.	210	710065	Strainer-Fuel	529	710246	Grommet
53A	710099	Stud (Muffler Mounting)	300	715127	Muffler-Exhaust	663	710057	Screw-Hex.
180	715129	Tank-Fuel	302	710081	Nut-Hex.	666	710243	Gauge-Fuel
181	710490	Cap-Fuel Tank	346	710307	Screw-Phillips	670	710247	Spacer
182	710244	Bracket-Fuel Tank	354	710068	Nut-Hex.	673	93705	Screw-Hex.
						676	715230	Deflector-Muffler
						737	710074	Screw-Shoulder
						832	710334	Guard-Muffler
						863	715495	Bracket-Muffler
						883	710250	Gasket-Exhaust
						994	715491	Arrester-Spark
						1057	710331	Screen-Outlet

ENGINE PARTS

CRAFTSMAN 3000 PSI HIGH PRESSURE WASHER 919.763010

ENGINE NUMBER 185432-0559-E1

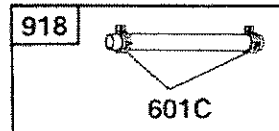
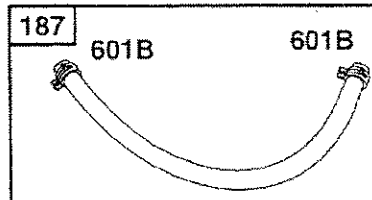
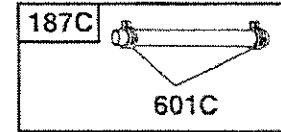
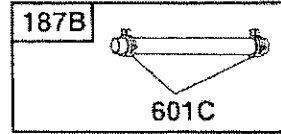
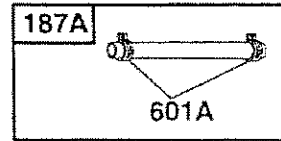
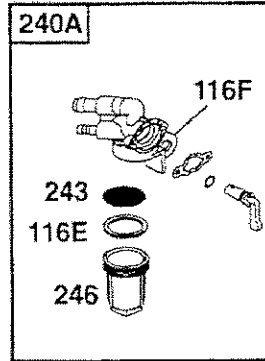
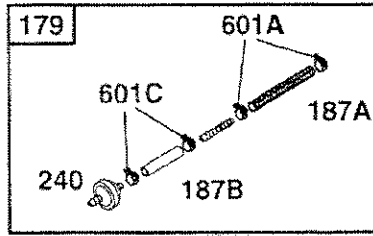


REF. NO.	PART NO.	DESCRIPTION	REF. NO.	PART NO.	DESCRIPTION	REF. NO.	PART NO.	DESCRIPTION
38	710248	Screw-Hex.	187B	296004	Line-Fuel (0.250 in. ID)	243	710071	Screen-Filter
116E	710072	Seal-O-Ring			(Used After Code Date	246	710070	Bowl-Filter
116F	710069	Seal-O-Ring			95073100).	601A	710075	Clamp-Hose
179	715172	Line-Fuel (Used Before Code Date 95080100). Used on Type No(s). 0037, 0041, 0042, 0071, 0078, 0075, 0077, 0082.			(Filter/Shut-Off-To- Fuel Pump)	601B	710067	Clamp-Hose
					(Carb-To-In Line Filter)	601C	95053	Clamp-Hose
					(Cut to Required Length)	663A	710234	Screw-Hex.
187	715125	Line-Fuel (8mm ID) (Fuel Tank-To Filter/ Shut-Off) (Cut to Required Length)	187C	715292	Hose-Vacuum (4MM ID Special Flexible Hose) (Fuel Pump-To-Carb.) (Cut to Required Length)	663B	710160	Screw-Hex.
						670A	710159	Spacer-Fuel Tank
187A	715126	Line-Fuel (4mm ID) (Filter/Shut-Off-To- Carburetor) (Cut to Required Length)	240	298090	Filter-Fuel Note 493629 Filter-Fuel Used on Type No(s). 0099.			
			240A	715027	Filter-Fuel Note 715224 Filter-Fuel Used on Type No(s). 0103.			

ENGINE PARTS

CRAFTSMAN 3000 PSI HIGH PRESSURE WASHER 919.763010

ENGINE NUMBER 185432-0559-E1

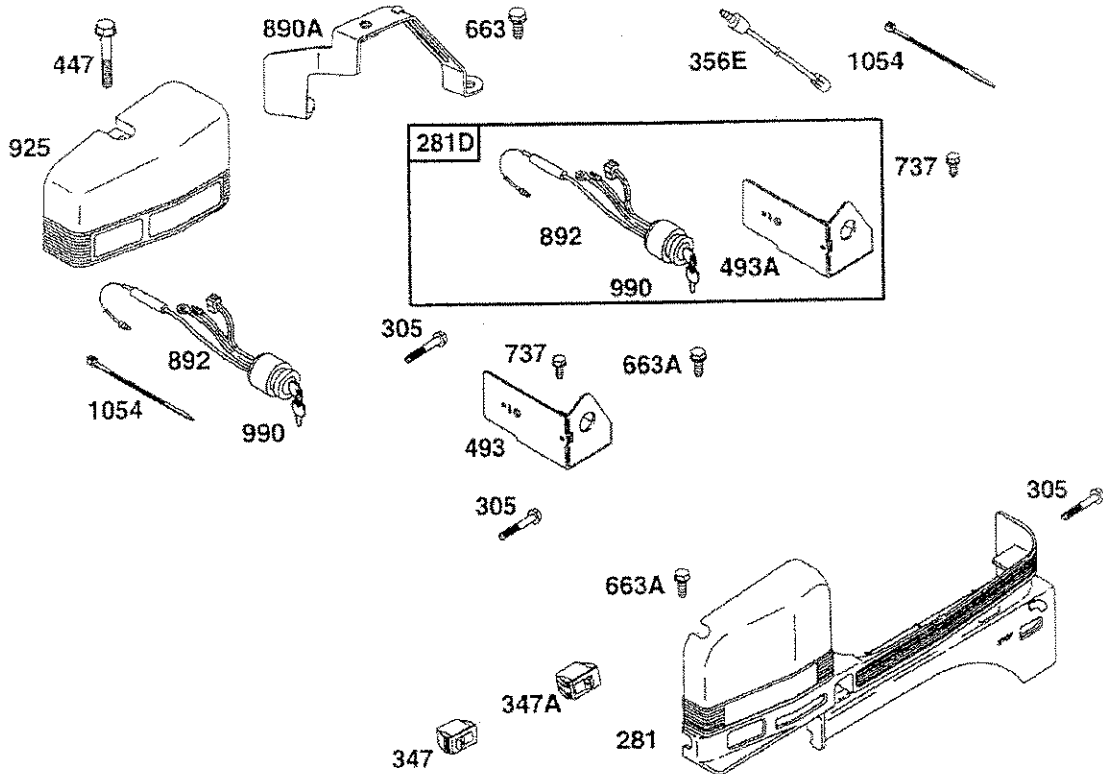


REF. NO.	PART NO.	DESCRIPTION	REF. NO.	PART NO.	DESCRIPTION	REF. NO.	PART NO.	DESCRIPTION
281	715321	Panel-Control (Used After Code Date 96010100). Used on Type No(s). 0035-01, 0035-02, 0046, 0047-01, 0047-09, 0051, 0070, 0071, 0072-01, 0078-02, 0090, 0103, 0107.	305	710095	Screw-Hex.			Replaced with Panel-Control:
			347	493521	Switch-Rocker (Without Light)			715321 for Non-Elec-
			347A	495098	Switch-Rocker (With Light)			tric Start Engine
			356E	715202	Wire-Stop			715322 for Electric
			447	710253	Screw-Hex.	892	715199	Start Engine
			493	710363	Bracket-Mounting			Key Switch
			493A	710717	Bracket-Mounting			Note
			663	710057	Screw-Hex.			710716 Key Switch
			663A	710234	Screw-Hex.			Used on Type No(s).
			737	710074	Screw-Hex.	925	710252	0059, 0084.
			890A	710094	Bracket-Support (Used Before Code Date 96010200).			Cover-Linkage (Used Before Code Date 96010200). Replaced with Panel-Control:
								715321 for Non-Elec-
								tric Start Engine
								715322 for Electric
								Start Engine
						990	715203	Key Set
						1054	710349	Tie-Cable

ENGINE PARTS

CRAFTSMAN 3000 PSI HIGH PRESSURE WASHER 919.763010

ENGINE NUMBER 185432-0559-E1

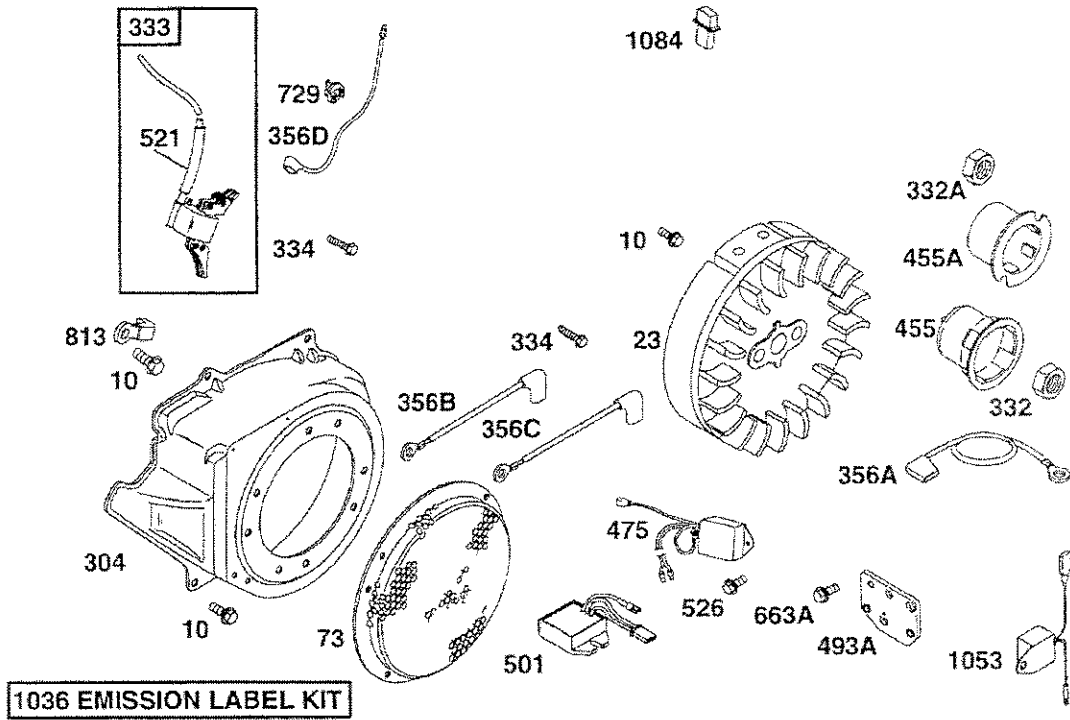


REF. NO.	PART NO.	DESCRIPTION	REF. NO.	PART NO.	DESCRIPTION	REF. NO.	PART NO.	DESCRIPTION
10	710223	Screw-Hex.	333	715118	Armature-Magneto	475	715200	Rectifier
23	710224	Flywheel	334	710047	Screw-Hex.	521	710045	Shielding-Cable
73	224757	Screen-Rotating	356A	710087	Wire-Stop (Black)	526	710089	Screw-Hex.
304	710364	Housing-Blower	356B	710120	Wire-Stop (Red)	663A	710234	Screw-Hex.
332	710048	Nut-Hex.	356C	710121	Wire-Stop (White)	729	710046	Clip-Lead Wire
332A	710345	Nut-Hex.	356D	710324	Wire-Ground	813	710083	Clamp
					Note	1036	499351	Label Kit-Emission
					710097 Wire-Ground			Used on Type No(s).
					Used on Type No(s).			0235.
					0099.	1053	710305	Module
			455	710366	Cup-Flywheel			
					(Used After Code Date			
					93123100).			
			455A	710257	Cup-Flywheel			
					(Used Before Code			
					Date 94010100).			
					Note			
					710230 Cup-Flywheel			
					Used on Type No(s).			
					0072.			

ENGINE PARTS

CRAFTSMAN 3000 PSI HIGH PRESSURE WASHER 919.763010

ENGINE NUMBER 185432-0559-E1

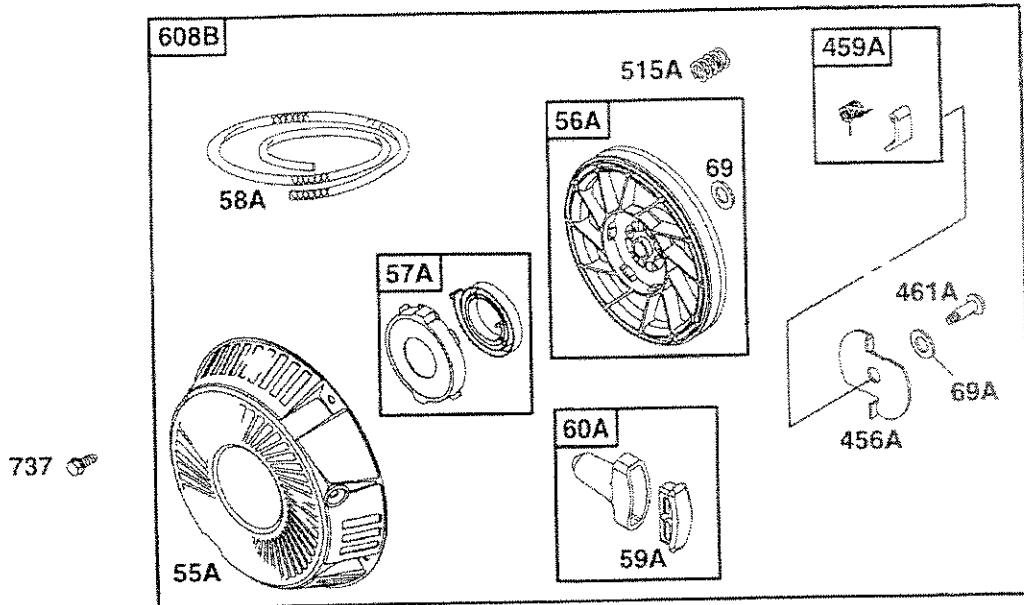


REF. NO.	PART NO.	DESCRIPTION	REF. NO.	PART NO.	DESCRIPTION	REF. NO.	PART NO.	DESCRIPTION
55	808186	Housing-Rewind Starter	59	805957	Insert-Grip	608	808087	Starter-Rewind Note
56	805949	Pulley-Starter	60	808167	Grip-Starter Rope			715204 Starter-Rewind
57	805951	Spring-Rewind Starter	456	805954	Plate-Pawl Friction			(Used Before Code Date 94010100).
58	66574	Rope-Starter (Cut to Required Length)	459	808166	Pawl-Ratchet	615	805952	Ring-Rewind Starter
			461	805955	Screw-Shoulder	737	710074	Screw-Hex.
			515	805953	Spring-Pawl			

ENGINE PARTS

CRAFTSMAN 3000 PSI HIGH PRESSURE WASHER 919.763010

ENGINE NUMBER 185432-0559-E1

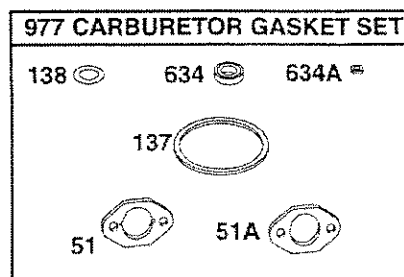
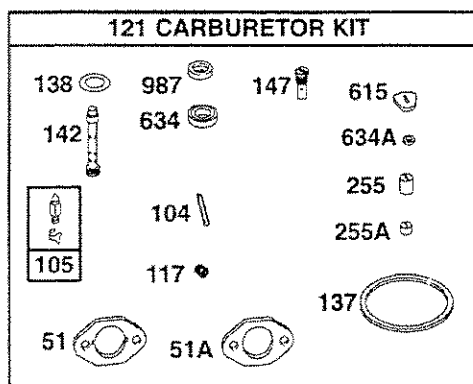
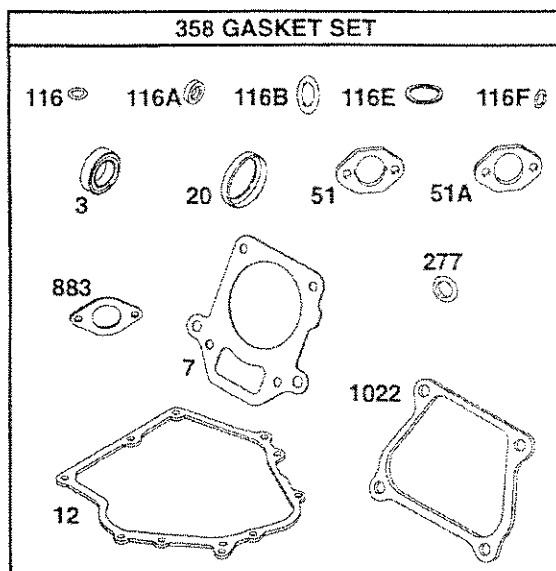
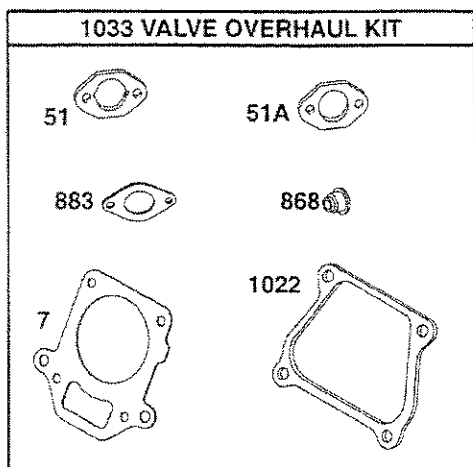


REF. NO.	PART NO.	DESCRIPTION	REF. NO.	PART NO.	DESCRIPTION	REF. NO.	PART NO.	DESCRIPTION
55A	492193	Housing-Rewind Starter	59A	490653	Insert-Grip	515A	262564	Spring-Friction
56A	494956	Pulley-Starter	60A	490652	Grip-Starter Rope	608B	715204	Starter-Rewind
57A	492194	Spring-Rewind Starter	69	94464	Washer	737	710074	Screw-Hex.
58A	66894	Rope-Starter (Cut to Required Length).	69A	94462	Washer			
			456A	224228	Plate-Pawl Friction			
			459A	492431	Pawl Ratchet			
			461A	94463	Screw-Shoulder			

ENGINE PARTS

CRAFTSMAN 3000 PSI HIGH PRESSURE WASHER 919.763010

ENGINE NUMBER 185432-0559-E1



REF. NO.	PART NO.	DESCRIPTION	REF. NO.	PART NO.	DESCRIPTION	REF. NO.	PART NO.	DESCRIPTION
3	710000	Seal-Oil	117	710316	Jet-Main	358	715124	Gasket Set
7	710205	Gasket-Cylinder Head	121	715156	Carburetor Kit	615	710175	Retainer
12	710216	Gasket-Crankcase	137		Gasket-Float Bowl (Sold in Kit Only)	634		Washer-Throttle Shaft (Sold in Kit Only)
20	710215	Seal-Oil	138		Washer (Sold in Kit Only)	634A		Seal-Choke Shaft (Sold in Kit Only)
51	710235	Gasket-Intake	142	710317	Nozzle-Carburetor	868	710019	Seal-Valve
51A	710237	Gasket-Intake	147	710321	Jet-Pilot	883	710250	Gasket-Exhaust
104	710310	Pin-Float Hinge	255	710177	Bushing-Choke Shaft (Upper)	977	715160	Gasket Set-Carburetor
105	715155	Valve-Needle	255A	710312	Bushing-Choke Shaft (Lower)	987	710185	Seal-Throttle Shaft
116	710055	Seal-O-Ring	277	710004	Washer-Seal	1022	710206	Gasket-Rocker Cover
116A	710091	Seal-O-Ring				1033	715123	Kit-Valve Overhaul
116B	710218	Seal-O-Ring						
116E	710072	Seal-O-Ring						
116F	710069	Seal-O-Ring						

**Briggs & Stratton Corporation (B&S), the California Air Resources Board (CARB)
and the United States Environmental Protection Agency (U.S. EPA)
Emission Control System Warranty Statement (Owner's Defect Warranty Rights and Obligations)**

In the interest of the environment, B&S engines that meet strict emission requirements are labeled, "This engine conforms to 1995 - 1998 California emission regulations for ULGE engines and U.S. EPA Phase I regulations for small non-road engines."

EMISSION CONTROL WARRANTY COVERAGE IS APPLICABLE

California and United States Emission Control Defects Warranty Statement

CARB, U.S. EPA and B&S are pleased to explain the Emission Control System Warranty on your 1996 and later utility or lawn and garden equipment (ULGE) engine. In California, new ULGE engines produced on or after August 1, 1995 must be designed, built and equipped to meet the State's stringent anti-smog standards. Elsewhere in the United States, new non-road, spark-ignition engines certified for model year 1997 and later, must meet similar standards set forth by the U.S. EPA. B&S must warrant the emission control system on your engine for the periods of time listed below, provided

Briggs & Stratton Emission Control Defects Warranty Coverage

ULGE engines are warranted relative to emission control parts defects for a period of two years, subject to provisions set forth

Owner's Warranty Responsibilities

As the ULGE engine owner, you are responsible for the performance of the required maintenance listed in your Operator/Owner Manual. B&S recommends that you retain all your receipts covering maintenance on your ULGE engine, but B&S cannot deny warranty solely for the lack of receipts or for your failure to ensure the performance of all scheduled maintenance.

As the ULGE engine owner, you should however be aware that B&S may deny you warranty coverage if your ULGE engine or a part has failed due to abuse, neglect, improper maintenance or unapproved modifications.

Briggs & Stratton Emission Control Defects Warranty Provisions

The following are specific provisions relative to your Emission Control Defects Warranty Coverage. It is in addition to the B&S engine warranty for non-regulated engines found in the Operator/Owner Manual.

1. Warranted Parts

Coverage under this warranty extends only to the parts listed below (the emission control systems parts) to the extent these parts were present on the engine purchased.

a. Fuel Metering System

- Cold start enrichment system (soft choke)
- Carburetor and internal parts
- Fuel Pump

b. Air Induction System

- Air cleaner
- Intake manifold

c. Ignition System

- Spark plug(s)
- Magneto ignition system

d. Catalyst System

- Catalytic converter
- Exhaust manifold
- Air injection system or pulse valve

e. Miscellaneous Items Used in Above Systems

- Vacuum, temperature, position, time sensitive valves and switches
- Connectors and assemblies

2. Length of Coverage

B&S warrants to the initial owner and each subsequent purchaser that the Warranted Parts shall be free from defects in materials and workmanship which caused the failure of the Warranted Parts for a period of two years from the date the engine is delivered to a retail purchaser.

TO CERTIFIED ENGINES PURCHASED IN CALIFORNIA IN 1995 AND THEREAFTER, WHICH ARE USED IN CALIFORNIA, AND TO CERTIFIED MODEL YEAR 1997 AND LATER ENGINES WHICH ARE PURCHASED AND USED ELSEWHERE IN THE UNITED STATES.

there has been no abuse, neglect or improper maintenance of your ULGE engine.

Your emission control system includes parts such as the carburetor, air cleaner, ignition system, muffler and catalytic converter. Also included may be connectors and other emission related assemblies.

Where a warrantable condition exists, B&S will repair your ULGE engine at no cost to you including diagnosis, parts and labor.

below. If any covered part on your engine is defective, the part will be repaired or replaced by B&S.

You are responsible for presenting your ULGE engine to an Authorized B&S Service Dealer as soon as a problem exists. The undisputed warranty repairs should be completed in a reasonable amount of time, not to exceed 30 days.

If you have any questions regarding your warranty rights and responsibilities, you should contact a B&S Service Representative at 1-414-259-5262.

The emission warranty is a defects warranty. Defects are judged on normal engine performance. The warranty is not related to an in-use emission test.

3. No Charge

Repair or replacement of any Warranted Part will be performed at no charge to the owner, including diagnostic labor which leads to the determination that a Warranted Part is defective, if the diagnostic work is performed at an Authorized B&S Service Dealer. For emissions warranty service contact your nearest Authorized B&S Service Dealer as listed in the "Yellow Pages" under "Engines, Gasoline," "Gasoline Engines," "Lawn Mowers," or similar category.

4. Claims and Coverage Exclusions

Warranty claims shall be filed in accordance with the provisions of the B&S Engine Warranty Policy. Warranty coverage shall be excluded for failures of Warranted Parts which are not original B&S parts or because of abuse, neglect or improper maintenance as set forth in the B&S Engine Warranty Policy. B&S is not liable to cover failures of Warranted Parts caused by the use of add-on, non-original, or modified parts.

5. Maintenance

Any Warranted Part which is not scheduled for replacement as required maintenance or which is scheduled only for regular inspection to the effect of "repair or replace as necessary" shall be warranted as to defects for the warranty period. Any Warranted Part which is scheduled for replacement as required maintenance shall be warranted as to defects only for the period of time up to the first scheduled replacement for that part. Any replacement part that is equivalent in performance and durability may be used in the performance of any maintenance or repairs. The owner is responsible for the performance of all required maintenance, as defined in the B&S Operator/Owner Manual.

6. Consequential Coverage

Coverage hereunder shall extend to the failure of any engine components caused by the failure of any Warranted Part still under warranty.

Briggs & Stratton welcomes warranty repair and apologizes to you for being inconvenienced. Any Authorized Service Dealer may perform warranty repairs. Most warranty repairs are handled routinely, but sometimes requests for warranty service may not be appropriate. For example, warranty would not apply if engine damage occurred because of misuse, lack of routine maintenance, shipping, handling, warehousing or improper installation. Similarly, warranty is void if the serial number of the engine has been removed or the engine has been altered or modified.

If a customer differs with the decision of the Service-Dealer, an investigation will be made to determine whether the warranty applies. Ask the Service Dealer to submit all supporting facts to his Distributor or the Factory for review. If the Distributor or the Factory decides that the claim is justified, the customer will be fully reimbursed for those items that are defective. To avoid misunderstanding which might occur between the customer and the Dealer, listed below are some of the causes of engine failure that the warranty does not cover.

Improper maintenance:

The life of an engine depends upon the conditions under which it operates, and the care it receives. Some applications, such as tillers, pumps and rotary mowers, are very often used in dusty or dirty conditions, which can cause what appears to be premature wear. Such wear, when caused by dirt, dust, spark plug cleaning grit, or other abrasive material that has entered the engine because of improper maintenance, is not covered by warranty.

This warranty covers engine related defective material and/or workmanship only, and not replacement or refund of the equipment to which the engine may be mounted. Nor does the warranty extend to repairs required because of:

1. PROBLEMS CAUSED BY PARTS THAT ARE NOT ORIGINAL BRIGGS & STRATTON PARTS.
2. Equipment controls or installations that prevent starting, cause unsatisfactory engine performance, or shorten engine life. (Contact equipment manufacturer.)
3. Leaking carburetors, clogged fuel pipes, sticking valves, or other damage, caused by using contaminated or stale fuel. (Use clean, fresh, lead-free gasoline and Briggs & Stratton gasoline stabilizer, Part No. 5041.)

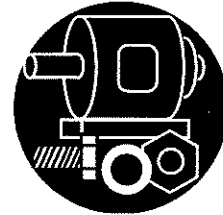
4. Parts which are scored or broken because an engine was operated with insufficient or contaminated lubricating oil, or an incorrect grade of lubricating oil (check oil level daily or after every 8 hours of operation. Refill when necessary and change at recommended intervals.) Read "Owner's Manual."
5. Repair or adjustment of associated parts or assemblies such as clutches, transmissions, remote controls, etc., which are not manufactured by Briggs & Stratton.
6. Damage or wear to parts caused by dirt, which entered the engine because of improper air cleaner maintenance, re-assembly, or use of a non-original air cleaner element or cartridge. (At recommended intervals, clean and re-oil the Oil-Foam® element or the foam pre-cleaner, and replace the cartridge.) Read "Owner's Manual."
7. Parts damaged by overspeeding, or overheating caused by grass, debris, or dirt, which plugs or clogs the cooling fins, or flywheel area, or damage caused by operating the engine in a confined area without sufficient ventilation. (Clean fins on the cylinder, cylinder head and flywheel at recommended intervals.) Read "Owner's Manual."
8. Engine or equipment parts broken by excessive vibration caused by a loose engine mounting, loose cutter blades, unbalanced blades or loose or unbalanced impellers, improper attachment of equipment to engine crankshaft, overspeeding or other abuse in operation.
9. A bent or broken crankshaft, caused by striking a solid object with the cutter blade of a rotary lawn mower, or excessive v-belt tightness.
10. Routine tune-up or adjustment of the engine.
11. Engine or engine component failure, i.e., combustion chamber, valves, valve seats, valve guides, or burned starter motor windings, caused by the use of alternate fuels such as, liquified petroleum, natural gas, altered gasolines, etc.

For the repair or replacement parts you need

Call 7 am - 7 pm, 7 days a week

1-800-366-PART

(1-800-366-7278)



For in-home major brand repair service

Call 24 hours a day, 7 days a week

1-800-4-REPAIR

(1-800-473-7247)



**For the location of a
Sears Parts and Repair Center in your area**

Call 24 hours a day, 7 days a week

1-800-488-1222



**For information on purchasing a Sears
Maintenance Agreement or to inquire
about an existing Agreement**

call 9 am - 5 pm, Monday-Saturday

1-800-827-6655



SEARS
REPAIR SERVICES
America's Repair Specialists

MANUAL DEL OPERADOR

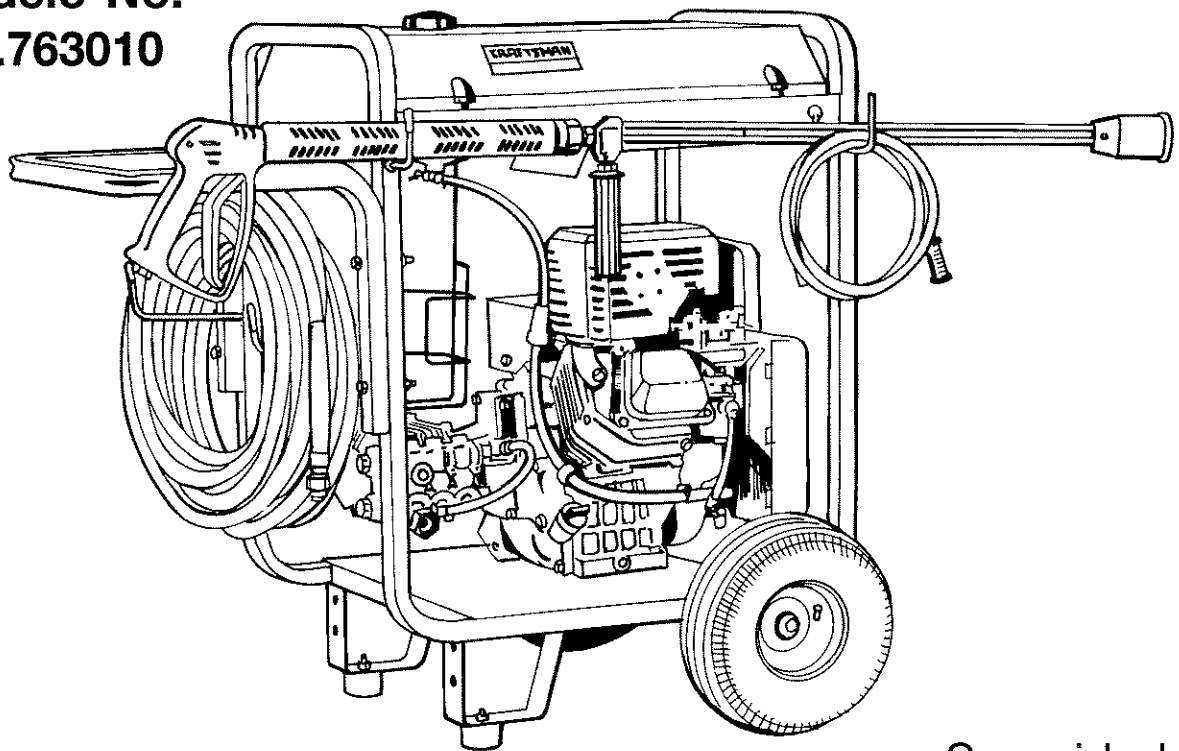
CRAFTSMAN®

Lavadora de Alta Presión

9 Caballos de Fuerza

3000 PSI 3 GPM

**Modelo No.
919.763010**



ADVERTENCIA: Leer este manual y observar todas las Precauciones de Seguridad e Instrucciones de Operación antes de usar este equipo.

**TELÉFONO DE AYUDA
PARA CLIENTES DE
LAVADORAS A PRESIÓN
1-800-245-5873**

- Seguridad
- Ensamblaje
- Operación
- Mantenimiento
- Lista de Partes
- Español

Sears, Roebuck and Co., Hoffman Estates, IL 60179 U.S.A.

TABLA DE CONTENIDOS

Garantía.....	37	Servicio y Regulaciones	49
Pautas de Seguridad	38-40	Almacenaje	49
Ensamblaje	40-41	Guía para Diagnóstico de Problemas	50
Operación.....	42-45	Partes.....	51-54
Mantenimiento	46-48	Cómo Ordenar Repuestos.....	Contratapa

GARANTÍA LIMITADA DE UN AÑO PARA LAVADORAS CRAFTSMAN DE ALTA PRESIÓN

Por un año a partir de la fecha de compra, y siempre que esta Lavadora Craftsman de Alta Presión se mantenga y opere de acuerdo a las instrucciones en el Manual del Operador, Sears reparará cualquier defecto de material o fabricación sin costo alguno.

Si esta Lavadora Craftsman a Presión se usa para propósitos comerciales o para alquiler, esta garantía sólo será aplicable por 90 días a partir de la fecha de compra.

GARANTÍA LIMITADA DE UN AÑO DEL MOTOR CRAFTSMAN

Por un año a partir de la fecha de compra de este motor Craftsman y siempre que se mantenga y opere de acuerdo a las instrucciones en el Manual del Operador, Sears reparará cualquier defecto de material o fabricación sin costo alguno.

Si el motor Craftsman se usa para propósitos comerciales o de alquiler, la garantía sólo será aplicable por 90 días a partir de la fecha de compra. Esta garantía no cubre piezas sujetas a desgaste tales como bujías y filtros de aire, los cuales se gastan con el uso normal.

La garantía no cubre las reparaciones que se hagan necesarias debido al mal uso o negligencia de parte del operador, incluyendo daños causados por no suministrarle agua a la bomba o no mantener el equipo de acuerdo a las instrucciones contenidas en este manual.

SE PUEDE OBTENER SERVICIO POR GARANTÍA SI SE LLEVA LA LAVADORA DE ALTA PRESIÓN AL CENTRO/DEPARTAMENTO DE SERVICIO DE GARANTÍA MÁS CERCANO EN CUALQUIER LUGAR DE ESTADOS UNIDOS. Esta garantía le otorga ciertos derechos legales específicos y usted también podría tener otros derechos que varían de un estado a otro.

Sears, Roebuck and Co., D/817 WA, Hoffman Estates, IL 60179

PAUTAS DE SEGURIDAD - DEFINICIONES

Este manual contiene información que es importante que usted sepa y entienda. Esta información se relaciona con la protección de SU SEGURIDAD y la PREVENCIÓN DE PROBLEMAS AL EQUIPO. Para ayudarle a identificar esta información usamos los siguientes símbolos. Por favor leer este manual y prestar atención especial a estas secciones. **CONSERVAR ESTAS DEFINICIONES/INSTRUCCIONES.**

▲ ADVERTENCIA indica una situación potencialmente riesgosa, la cual, si no se evita puede causar lesiones serias o muerte.

▲ PELIGRO indica una situación riesgosa inminente que si no se evita causará lesiones serias o muerte.

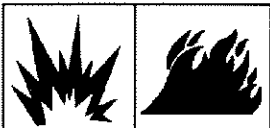

▲ CUIDADO indica una situación potencialmente peligrosa que si no se evita puede causar lesiones menores.

10/2/97

INSTRUCCIONES IMPORTANTES DE SEGURIDAD

▲ ADVERTENCIA


LA OPERACIÓN O EL MANTENIMIENTO INAPROPIADOS DE ESTA UNIDAD PUEDEN CAUSAR LESIONES SERIAS Y DAÑOS A LA PROPIEDAD. LEER Y ENTENDER TODAS LAS ADVERTENCIAS DE SEGURIDAD E INSTRUCCIONES DE OPERACIÓN ANTES DE USAR ESTA UNIDAD.

RIESGO	QUE PUEDE SUCEDER	COMO PREVENIRLO
<p>▲ PELIGRO</p> <p>RIESGO DE INCENDIO O EXPLOSIÓN</p> 	<ul style="list-style-type: none"> • La gasolina y los vapores de gasolina pueden encenderse con las chispas de los cigarrillos, arcos eléctricos, gases de escape y los componentes calientes de los motores tales como el mofle. • El calor expandirá el combustible en el tanque lo cual puede causar un derrame y posiblemente fuego o explosión. • Operar la unidad en un ambiente con riesgos de explosión, puede causar un incendio. • Los materiales colocados contra la lavadora de presión o cerca de ésta pueden interferir con su ventilación apropiada causando sobrecalentamiento y posible inflamación de los materiales. • El combustible indebidamente guardado puede causar una ignición accidental. El combustible indebidamente asegurado puede caer en las manos de niños u otras personas indebidas. 	<ul style="list-style-type: none"> • Apagar el motor y permitir que se enfríe antes de agregar combustible al tanque. • Tener cuidado al llenar el tanque para evitar derramar el combustible. Retirar la lavadora de presión del área de relleno de combustible antes de arrancar el motor. • Mantener el nivel máximo del combustible a 1.5 cm por debajo de la tapa del tanque de combustible para dejar sitio para la expansión. • Operar y agregar combustible al equipo en áreas bien ventiladas y libres de obstrucciones. Equipar el área de operación con extinguidor(es) adecuado(s) para incendios de gasolina. • Nunca operar la lavadora de presión en un área que contenga hierbas o ramas secas. • Almacenar la gasolina en envase designado para contener gasolina y en un lugar seguro lejos del área de trabajo.
<p>▲ PELIGRO</p> <p>RIESGO A LA RESPIRACIÓN</p> 	<ul style="list-style-type: none"> • Inhalar los gases del escape causará lesiones serias o muerte. • Algunos líquidos limpiadores contienen sustancias que pueden causar daño a la piel, los ojos o los pulmones. 	<ul style="list-style-type: none"> • Operar la lavadora de presión en un área bien ventilada. Evitar áreas cerradas tales como garajes, sótanos, etc. • Nunca operar la unidad en lugares ocupados por personas ni animales. • Solo usar líquidos limpiadores especialmente recomendados para lavadoras de alta presión. Seguir las recomendaciones del fabricante.

INSTRUCCIONES IMPORTANTES DE SEGURIDAD (Cont.)

RIESGO	QUE PUEDE SUCEDER	COMO PREVENIRLO
<p>⚠ ADVERTENCIA RIESGO POR OPERACIÓN INSEGURA</p> 	<ul style="list-style-type: none"> • La operación o mantenimiento inadecuados de la lavadora de presión puede causar lesiones serias o muerte al operador o a otras personas. • La pistola/tubo aplicador es una herramienta potente de limpieza y a un niño podría parecerle un juguete. • La fuerza reactiva del chorro hará que el aplicador "patee" y pueda causar que el operador se resbale y caiga o dirija mal el chorro. La pérdida de control del aplicador puede causar lesiones al mismo operador o a otros. 	<ul style="list-style-type: none"> • Familiarizarse con la operación y los controles de la lavadora de presión. • Mantener a los niños alejados de la lavadora de presión en todo momento. • Nunca burlar los dispositivos de seguridad de este equipo. • No operar la máquina con piezas faltantes, rotas o no autorizadas. • Nunca dejar desatendido el tubo aplicador cuando la lavadora esté en operación. • Mantener el área de trabajo libre de obstáculos. • Pararse en una superficie estable y agarrar con firmeza la pistola/tubo aplicador. Prepararse para el retroceso de la pistola aplicadora cada vez que se presione el gatillo.
<p>⚠ ADVERTENCIA RIESGO DE LESIONES POR EL CHORRO</p> 	<ul style="list-style-type: none"> • El chorro de los líquidos a alta velocidad puede causar la rotura de algunos objetos proyectando sus partículas a altas velocidades. • Los objetos livianos o que no estén sujetos se pueden convertir en proyectiles peligrosos. 	<ul style="list-style-type: none"> • Siempre usar anteojos de seguridad que cumplan con la norma Z87 de ANSI. Siempre usar ropa especial para protegerse del chorro. • Nunca apuntar el tubo aplicador ni dirigir el chorro a personas ni animales. • Para evitar que se accione accidentalmente siempre enganchar el seguro del gatillo cuando la pistola aplicadora no esté en uso. • Nunca fijar el gatillo permanentemente en la posición de abierto.
<p>⚠ ADVERTENCIA RIESGO DE CHOQUE ELÉCTRICO</p> 	<ul style="list-style-type: none"> • Dirigir el chorro hacia tomacorrientes o interruptores eléctricos, o hacia objetos conectados al suministro eléctrico puede causar choque eléctrico. 	<ul style="list-style-type: none"> • Desconectar cualquier aparato eléctrico antes de intentar limpiarlo. No dirigir el chorro a tomacorrientes ni a interruptores eléctricos.
<p>⚠ ADVERTENCIA RIESGO DE INYECCIÓN DE LÍQUIDO</p> 	<ul style="list-style-type: none"> • La máquina opera con fluidos a alta presión y a velocidades lo suficientemente altas para penetrar el cuerpo de personas y animales, lo cual puede resultar en lesiones serias y amputación. Las pérdidas causadas por conexiones flojas o gastadas pueden causar inyección y lesiones. ¡NO TRATAR LA INYECCIÓN DE LÍQUIDOS COMO UN SIMPLE CORTE! Obtener atención médica de inmediato. • Aliviar la presión del sistema antes de intentar darle mantenimiento o desensamblarlo. 	<ul style="list-style-type: none"> • Nunca colocar las manos delante de la boquilla. • No dirigir el chorro hacia uno mismo ni hacia otras personas. • Asegurarse que la manguera y las conexiones estén bien ajustadas y en buenas condiciones. Nunca agarrar la manguera ni las conexiones durante la operación. • No permitir que la manguera entre en contacto con el mofle. • Nunca poner ni quitar el tubo aplicador ni los acoples de la manguera mientras que el sistema esté presurizado. • Usar únicamente mangueras y accesorios de alta presión para servicio a 2000 PSI. • Para aliviar la presión del sistema, apagar el motor, cortar el suministro de agua y tirar del gatillo hasta que el agua deje de fluir.
<p>⚠ ADVERTENCIA RIESGO DE QUEMADURAS QUÍMICAS</p> 	<ul style="list-style-type: none"> • El uso de ácidos, químicos tóxicos o corrosivos, venenos, insecticidas, o cualquier tipo de solvente inflamable en esta unidad pueden causar lesiones personales serias o muerte. 	<ul style="list-style-type: none"> • No usar ácidos, gasolina, kerosene ni otros materiales inflamables en esta unidad. Sólo usar detergentes domésticos, limpiadores y desengrasantes recomendados para usar en esta lavadora de presión. • Usar ropa protectora para evitar que los ojos y la piel entren en contacto con los materiales rociados.

INSTRUCCIONES IMPORTANTES DE SEGURIDAD (Cont.)

RIESGO	QUE PUEDE SUCEDER	COMO PREVENIRLO
<p>⚠ ADVERTENCIA RIESGO POR SUPERFICIES CALIENTES</p> 	<ul style="list-style-type: none"> El contacto con superficies calientes, tales como los componentes del escape, puede causar quemaduras serias. 	<ul style="list-style-type: none"> Durante la operación, sólo tocar las superficies de control. Mantener a los niños alejados de la lavadora en todo momento. Ellos pueden no reconocer los riesgos de esta máquina.

Símbolos Internacionales



Alerta de Seguridad - Leer el Manual de Operación



Apagar /Prender



Detener



Corte de Combustible



Combustible



Cebado

IMPORTANTE:

El poderoso chorro producido por la lavadora de presión es capaz de dañar superficies frágiles tales como; madera, vidrio, pintura y molduras automotrices, y objetos delicados tales como flores y arbustos. Antes de rociar, inspeccionar el objeto a limpiarse para asegurarse que es lo suficientemente robusto como para resistir la fuerza del chorro sin sostener daños. Evitar usar chorros muy concentrados excepto para limpiar superficies fuertes tales como concreto y acero.

Operar la unidad con el suministro de agua cerrado y sin flujo de agua le causará daños al equipo. Nunca se debe operar esta lavadora de presión por más de 2 minutos sin tirar del gatillo para permitir el ingreso de agua fría a la bomba y que haga salir el agua caliente. Operar la lavadora de presión con el flujo de agua cortado anulará la garantía.

ENSAMBLAJE

Contenidos de la Caja

- Unidad principal de la lavadora a presión con ruedas
- Asa
- Manguera para alta presión
- Manguera absorbente de soluciones químicas y filtro
- Bolsa conteniendo
 - Casete de vídeo
 - Manual del Operador
 - Juego de limpiador de boquillas y anillos "O" de repuesto
 - Tope amortiguador de caucho para pata y elementos de sujeción
- Caja Conteniendo
 - Pistola
 - Tubo aplicador
 - Botella de aceite para motor
 - Elementos de sujeción para el asa

Herramientas Requeridas para el Ensamblaje

Llave regulable para tuercas
 Llave de dado de 1/2"

Sacar la Lavadora de Presión de la Caja

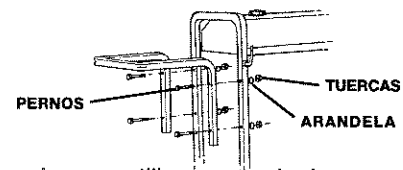
- Abrir la caja por la parte de arriba. Dentro de la caja ubicar y sacar la caja con piezas que incluye la pistola, el asa, el tubo aplicador, la botella de aceite, las tuercas, pernos y arandelas para la instalación del asa.
- Cortar la caja a lo largo de la línea punteada.
- Sacar todos los insertos de cartón.
- Rodar la unidad por la abertura de la caja.

NOTA: La manguera para alta presión y la manguera para químicos están en el fondo de la caja.

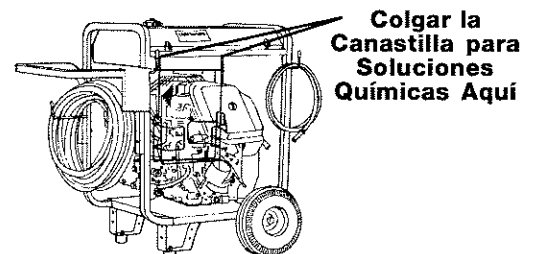
Preparación de la Lavadora de Presión para el Primer Uso

Nota: En la caja de la lavadora se incluye una cinta de vídeo que muestra como preparar la unidad para su operación. Se recomienda ver esta cinta de vídeo antes de continuar con los siguientes pasos.

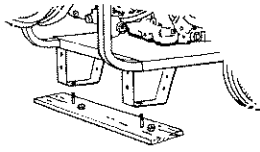
- Insertar el asa en el bastidor.
 - Insertar los pernos en los orificios del asa.
 - Alinear el asa y los pernos con los orificios en el bastidor.
 - Insertar los pernos en los orificios del bastidor.
 - Colocar las arandelas en los pernos ya insertados. A continuación colocar las tuercas en los pernos y ajustarlas con una llave regulable para tuercas, girándolas en el sentido del reloj.



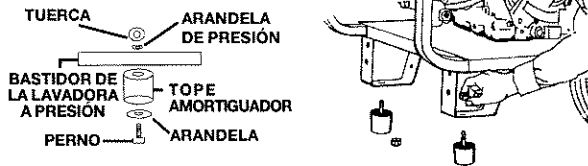
- Colocar la canastilla para soluciones químicas en el bastidor de la lavadora en el lado del bastidor opuesto al mofle. El bastidor está provisto de orificios para ello.



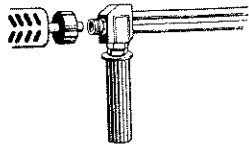
3. Quitar la plancha de madera del bastidor de la unidad. Se necesita usar una llave regulable para tuercas. Desechar la tuerca, el perno y la tabla.



4. Instalar el tope amortiguador de caucho en el bastidor colocando el extremo roscado del perno dentro de la arandela. Luego, con la arandela en el perno, pasar el extremo roscado del perno por el tope amortiguador. Colocar la parte roscada del tope amortiguador en el mismo orificio donde estuvo montada la tabla de madera en la lavadora a presión. Luego colocar la arandela de presión sobre la parte roscada del perno que ha pasado por el orificio de montaje en la lavadora a presión y usando la tuerca sujetar el tope amortiguador al bastidor. Ajusta la tuerca con una llave regulable para tuercas. Todas las piezas del tope amortiguador se suministran dentro de la bolsa de piezas.

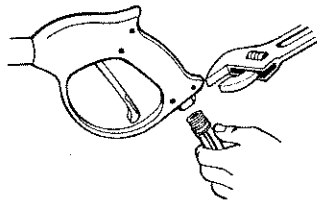


5. Conectar el tubo aplicador con la extensión de la boquilla en la pistola. Para ajustar, girar la perilla en el sentido del reloj. Ajustar a mano.

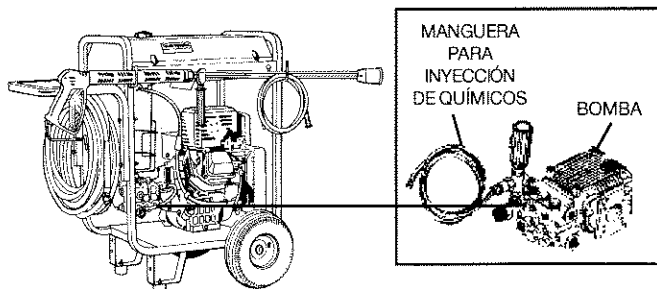


6. Cortar el amarre de la manguera para alta presión. Desenrollar la manguera y conectar el extremo roscado a la pistola.

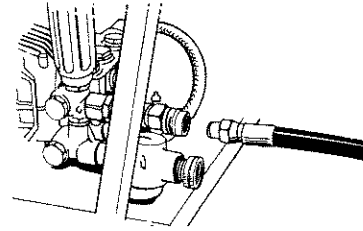
NOTA: No sacar la cinta selladora de Teflón que está en la rosca.



7. Conectar la manguera para químicos al niple del inyector de químicos en la bomba.

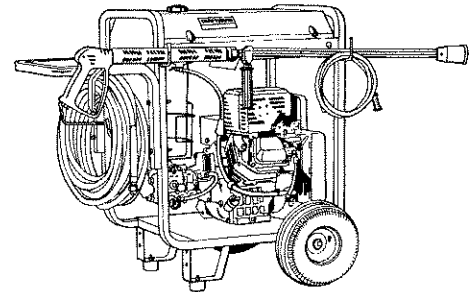


8. Conectar la manguera para alta presión al acople de conexión rápida en la salida de la presión en la lavadora.

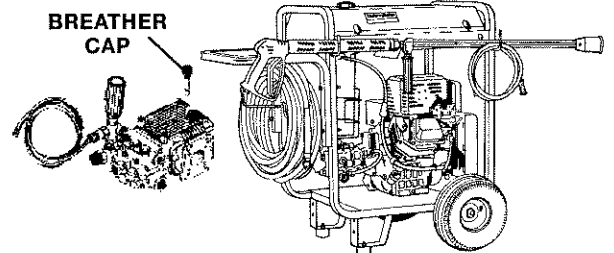


NOTA: Siempre mantener la manguera alejada del tubo de escape del motor.

9. Colocar la pistola ensamblada con el tubo aplicador en el soporte de la lavadora a presión.



NOTA: Esta unidad ha sido despachada de fábrica con un tapón temporal en la bomba que debe reemplazarse con una tapa respiradora. Este tapón está ubicado en la toma de aceite de la bomba. Desenroscar el tapón para sacarlo. Sacar la tapa respiradora de la bolsa adherida al tapón e instalarla en la toma de aceite de la bomba.



▲ CUIDADO: Omitir reemplazar el tapón por la tapa respiradora puede causar daños serios a la bomba.

Lista de Comprobación

Antes de continuar, por favor comprobar lo siguiente:

- Haber seguido las instrucciones de ensamblaje completamente.
- Haber revisado dos veces que todos los acoples estén firmemente ajustados.

IMPORTANTE: Antes de cualquier intento de arrancar la lavadora a presión, cerciorarse de inspeccionar el aceite del motor (referirse a la sección Aceite del Motor en el capítulo Operación)

OPERACIÓN

Familiarizarse con la Lavadora de Presión

Leer el Manual del Operador y las Pautas de Seguridad antes de operar la Lavadora de Alta Presión. Comparar esta ilustración con nuestra lavadora de presión para familiarizarse con los diversos controles y dispositivos de regulación. Conservar este manual para referencia futura.

BOMBA: Desarrolla alta presión.

TOMA DE ACEITE DEL MOTOR: Lugar por donde se echa aceite al motor.

REGULADOR DE PRESIÓN: Permite regular la presión del chorro de salida.

INTERRUPTOR PARA ARRANCAR Y APAGAR: Coloca la unidad en la modalidad para arrancar con la cuerda de arranque y para **Apagar** el motor cuando está funcionando.

CUERDA DEL ARRANCADOR: Se usa para arrancar el motor manualmente.

PISTOLA APLICADORA: Tiene un gatillo que permite controlar el agua que se aplica a la superficie que se desea lavar.

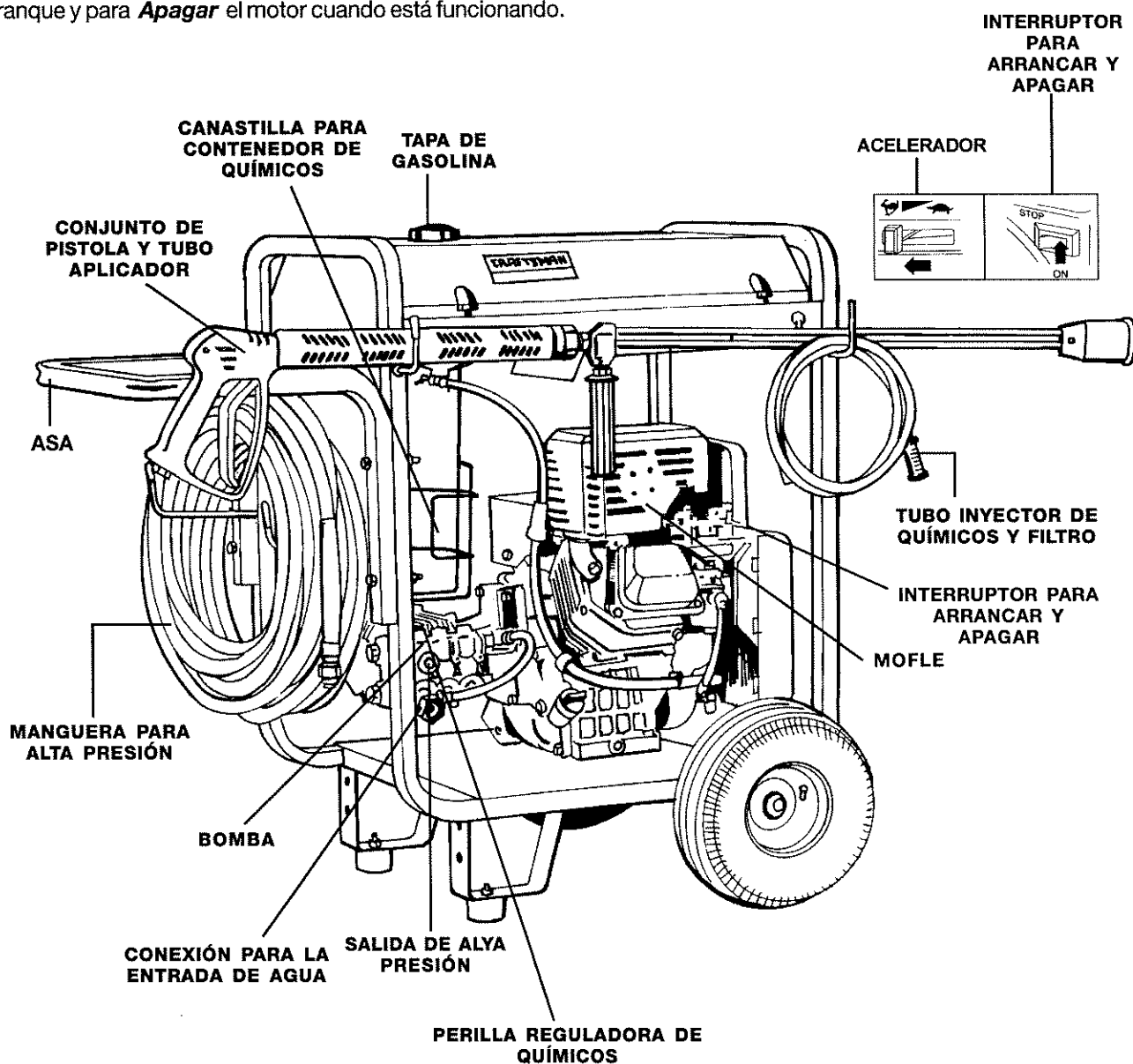
TOMA DE ACEITE DE LA BOMBA: Lugar por donde se echa aceite a la bomba.

TAPA DEL TANQUE DE GASOLINA: La tapa se saca para rellenar con gasolina sin plomo.

TUBO INYECTOR DE QUÍMICOS Y FILTRO: Mezcla el agua y el detergente en el punto de alimentación del agua.

SALIDA DE ALTA PRESIÓN: Conexión para la manguera de alta presión.

CHOKE: Palanquita de cebado para arrancar la unidad.



▲ Advertencia: Leer el Manual del Operador. No intentar operar este equipo hasta haber leído las instrucciones de Seguridad, Operación y Mantenimiento.

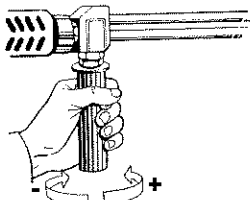
Nota: En la caja de la lavadora se incluye una cinta de vídeo que muestra como operar la lavadora de presión. Si se dispone de una grabadora de vídeo se recomienda ver esta cinta antes de operar la unidad.

▲ Advertencia: Nunca regular la forma del abanico del chorro mientras se esté rociando. Nunca colocar las manos delante de la boquilla del chorro para modificar la forma del chorro porque puede lesionarse.

Como usar la Lavadora de Presión

En el extremo de la pistola aplicadora hay una boquilla que se puede girar a ambos lados. Con la boquilla regulable se controla la presión del chorro para alta o baja presión.

- Girar la boquilla contra el sentido del reloj para la presión baja y contra el sentido del reloj para la presión alta.

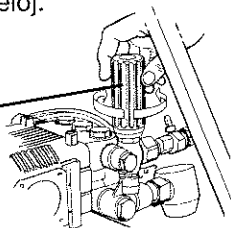


- Para un lavado más efectivo, mantener la boquilla de rociado a una distancia de entre 20cm (8") y 60cm (24") de la superficie que se está lavando.

IMPORTANTE: Si se afloja la boquilla concentrando el chorro demasiado, especialmente en alta presión, se puede dañar la superficie que se está lavando.

- La perilla de control de la presión está ubicada en la bomba. Se puede aumentar la presión girando la perilla en el sentido del reloj o disminuirla girando la perilla contra el sentido del reloj.

PERILLA DE CONTROL DE PRESIÓN



Uso de Detergentes y Químicos

IMPORTANTE: Usar detergentes y productos químicos que estén diseñados específicamente para usar en lavadoras a presión. Para aplicar detergente seguir estos pasos:

- Preparar el detergente o químico requerido para la tarea.

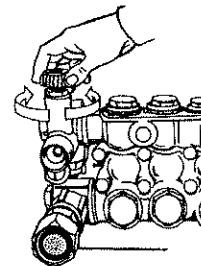
- Insertar el tubo succionador en el contenedor (no se incluye el detergente).



NOTA: El primer paso es la preparación de la solución adecuada de detergente o químico apropiado para que penetre en la suciedad y la suelte. **Aplicar el detergente o químico a baja presión** para evitar que salpique y se desperdicie. Dejar que la solución repose sobre la superficie unos 3 a 5 minutos para que actúe.

NOTA: El segundo paso consiste en usar la lavadora a presión para lavar la superficie que se ha preparado y luego enjuagarla.

- Girar la boquilla regulable contra el sentido del reloj para la modalidad de presión baja. No se puede aplicar detergente/químicos con la boquilla en la posición para presión alta.
- Revisar la posición de la boquilla regulable.
- Conectar una manguera de jardín a la entrada de agua (ver la sección "Arranque de la Lavadora a Presión" en la página 9), verificar que la manguera para alta presión esté conectada a la pistola aplicadora y a la bomba (ver la sección "Ensamblaje") y arrancar el motor.
- Aplicar el detergente/químico a la superficie seca comenzando de abajo y trabajando hacia arriba.
- Permitir que el detergente/químico repose de 3 a 5 minutos en la superficie antes de lavar y enjuagar.
- Para lavar, comenzar por la parte inferior de la superficie y avanzar hacia arriba aplicando en tramos largos traslapados y uniformes.
- La lavadora a presión está equipada con una perilla para regular la inyección del químico. Con la perilla totalmente abierta se obtendrá una mezcla con una proporción de 7 partes de agua por 1 de químico. Con la perilla totalmente cerrada **no** habrá succión de químico. Girar la perilla contra el sentido del reloj para lograr una mayor succión del detergente/químico y en el sentido del reloj para una menor succión.

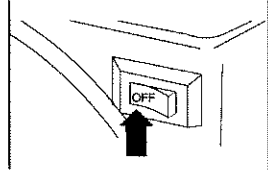


- Se recomienda que después de usar la lavadora de presión se lave internamente la bomba, el inyector de químicos y la manguera de químicos con agua limpia. Para ello simplemente sumergir la manguera de químicos en agua y sifonear agua por 1 a 2 minutos.

Apagado de la Lavadora de Presión

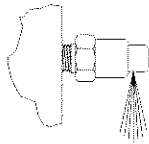
▲ CUIDADO: No operar la bomba a menos que la manguera de abastecimiento de agua esté conectada a una llave de agua que esté abierta, de lo contrario dañará la bomba.

- Para apagar la lavadora a presión, colocar el interruptor en la posición de "OFF" (Apagado).



- La presión de agua del sistema no se aliviará con sólo apagar el motor. Presionar el gatillo de la pistola por unos 3 segundos para descargar la presión. La longitud del chorro disminuirá.

IMPORTANTE: Esta unidad está equipada con una válvula térmica de alivio. Si se deja funcionar la unidad por varios minutos sin presionar el gatillo de la pistola puede ser que varias gotas de agua salgan por esta válvula para enfriar la unidad. El agua fluirá del fondo de la bomba.



Antes de Arrancar el Motor

Hacer lo siguiente para hacer que el motor funcione:

▲ CUIDADO: Siempre verificar el nivel del aceite del motor antes de cada arranque. Hacer que el motor funcione sin aceite o con el nivel bajo puede causar daños serios al motor.

▲ CUIDADO: Siempre verificar el nivel del aceite de la bomba antes de cada arranque. Hacer que la bomba funcione con poco aceite puede causar daños serios a la bomba.

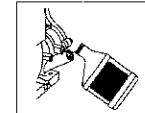
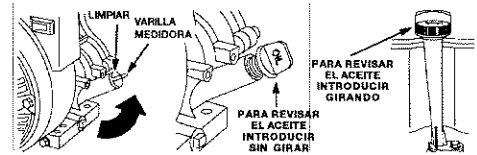
Agregar Aceite a la Bomba

Antes de hacer funcionar la lavadora a presión, inspeccionar el nivel del aceite de la bomba por la mirilla de vidrio en el costado de la bomba. Cuando la bomba esté debidamente llena, el nivel del aceite estará en el medio del punto rojo. La unidad ha sido despachada de fábrica con aceite en la bomba. Agregar aceite sólo si el nivel ha caído del punto medio de la mirilla de vidrio. **NO sobrellenar.** Usar aceite no detergente de grado 30.

▲ CUIDADO: No usar el aceite para motor provisto con la unidad. El aceite para motor que se ha provisto contiene detergentes y la bomba requiere aceite sin detergentes. El aceite con detergentes puede dañar la bomba.

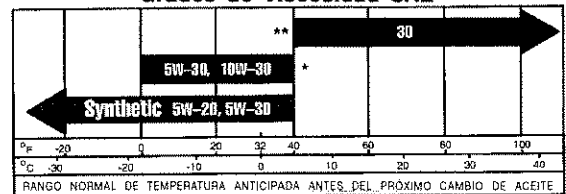
Aceite del Motor

La unidad ha sido despachada sin aceite en el motor, pero se incluye una botella de aceite SAE 30 en la caja de embalaje. Sacar la tapa de aceite con varilla medidora ubicada en un costado del motor. La varilla medidora está claramente marcada con líneas indicadoras que permiten saber cuando hay suficiente aceite. No sobrepasar la línea de llenado. Rellenar lentamente.



NOTA: Cuando se agregue aceite al cárter, usar aceite detergente de alta calidad clasificado "Para servicio SF, SG, SH, de grado SAE 30". No usar aditivos especiales. Seleccionar el grado de viscosidad del aceite de acuerdo con las temperaturas de operación que se esperen tener.

Grados de Viscosidad SAE



Los motores enfriados por aire funcionan más calientes que los motores de los automóviles. El uso de aceites de viscosidad múltiple tal como (10W-30, etc.) en temperaturas ambientales superiores a 4°C/40°F, harán que el consumo de aceite aumente por encima de lo normal. Si se usa aceite de viscosidad múltiple, revisar el nivel del aceite con más frecuencia para evitar la posibilidad de daños al motor por operar con poca lubricación. El uso de aceite SAE 30 en temperaturas inferiores a 4°C/40°F dificultará el arranque y posiblemente cause daños al motor debido a lubricación inadecuada.

Gasolina

El motor de la lavadora de presión es de 4 tiempos. Usar únicamente gasolina sin plomo.

▲ CUIDADO: No rellenar el tanque de gasolina demasiado. Siempre dejar espacio para la expansión del combustible.

▲ ADVERTENCIA: Nunca rellenar el tanque en interiores. Nunca rellenar el tanque de combustible cuando el motor esté funcionando ni cuando esté caliente. No fumar ni tener llamas cerca cuando se rellene combustible.

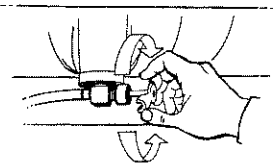
Usar gasolina regular sin plomo que esté fresca y limpia de mínimo 85 octanos. No mezclar el aceite con la gasolina. Si no se dispone de gasolina sin plomo, se puede usar gasolina con plomo.

IMPORTANTE: Durante el almacenaje, es importante evitar la formación de sedimentos pegajosos en el sistema de combustión tales como en el carburador, manguera del filtro de combustible o tanque. La experiencia también nos indica que las gasolinas mezcladas con alcohol (llamadas gasohol o que tienen etanol o metanol) pueden atraer humedad que luego se separará y formará ácidos durante el almacenaje de la unidad. La gasolina ácida puede dañar el motor mientras esté almacenado. Para evitarle problemas al motor, vaciar el sistema de combustión antes de almacenar la unidad por 30 días o más. Nunca echar productos limpiadores para el motor o el carburador en el tanque de combustible porque se pueden causar daños permanentes.

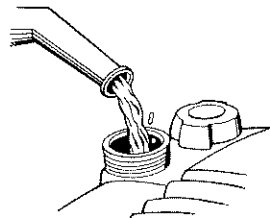
NOTA: Nunca arrancar la lavadora a presión a menos que esté conectada a un suministro de agua y que la llave esté abierta.

Para Arrancar la Lavadora a Presión

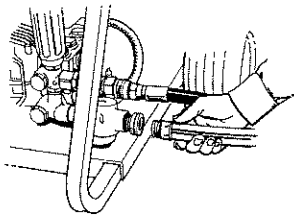
Cerciorarse que la válvula de control de combustible esté abierta. Para abrirla girarla contra el sentido del reloj.



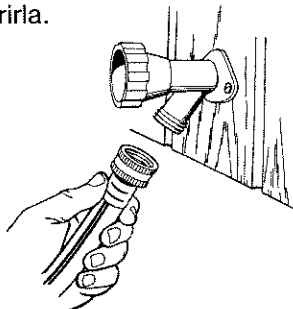
- Sacar la tapa del tanque de gasolina.
- Agregar lentamente gasolina sin plomo en el tanque.
- No sobrellenar.



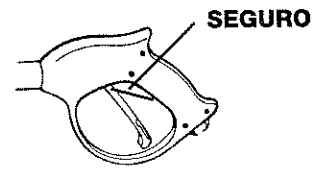
- Conectar una manguera de jardín a la boquilla de la toma de agua en la lavadora a presión. Ajustarla girando la boquilla de la toma de agua contra el sentido del reloj.



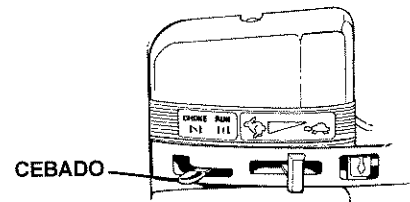
- Conectar la manguera de agua a la llave de suministro de agua y abrirla.



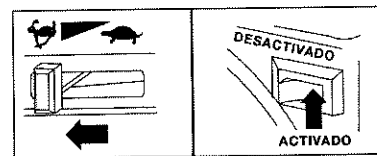
- Apretar el gatillo de la pistola aplicadora para descargar la presión de aire acumulada al haber abierto la llave del suministro de agua. La pistola disparará un pequeño chorro de agua. Esto facilitará el arranque del motor.
- Enganchar el seguro de la pistola aplicadora. Esto fijará el gatillo en posición y evitará que se aplique un chorro de alta presión en forma accidental.



- El motor tiene una palanquita para CHOKE/RUN (Cebado/Operación). Colocar la palanquita en la posición de "Choke" (Cebado).



- El motor tiene otra palanquita para control de aceleración, colocarla en la posición de la liebre. Siempre echar el motor a funcionar con la palanquita en la posición de la liebre.



- Tomar la manija de la cuerda del arrancador y tirar de ella lentamente hasta sentir una resistencia, luego tirar de ella firmemente para que el motor arranque.
- Agarrar el mango de la cuerda del arrancador y tirar de ella lentamente hasta sentir una resistencia, luego tirar de ella firmemente.
- Cuando el motor arranque, mover la palanquita del "CHOKE" (Cebado) gradualmente a la posición de "RUN" (Operación).
- Si el motor no arranca después de tirar de la cuerda del arrancador 5 veces, regresar la palanca de "CHOKE" (Cebado) a la posición RUN (Operación).
- Para volver a arrancar el motor cuando esté caliente, cerciorarse que la palanquita de aceleración esté en la posición de "RUN" (Operación). Cerciorarse que la válvula para el control del combustible esté abierta y que el acelerador esté en la posición de la liebre.

NOTA: Si se presentasen fugas, apagar la unidad y ajustar las conexiones.

MANTENIMIENTO

RESPONSABILIDADES DEL PROPIETARIO				
TAREA DE MANTENIMIENTO	Antes de Cada Uso	Cada 25 Horas o Cada Año	Cada 50 Horas o Cada Año	Cada 100 Horas o Cada Año
LAVADORA A PRESIÓN				
Inspeccionar/limpiar la malla de entrada.	X			
Inspeccionar la manguera para alta presión.	X			
Inspeccionar la manguera de succión de detergente/químico y filtro.	X			
Inspeccionar para detectar fugas por la pistola/tubo aplicador	X			
Purgar el aire y los contaminantes de la bomba	X			
Inspeccionar el aceite de la bomba	X			
Cambiar el aceite de la bomba			X	
MOTOR				
Inspeccionar el nivel de aceite.	X			
Cambiar el aceite del motor.			X	

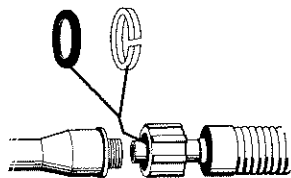
Especificaciones del Equipo

Especificaciones de la Lavadora de Presión

Presión	3000
Índice de Flujo	3.0 GPM
Unidades de Limpieza (PSI x GPM)	9000

Especificaciones del Motor

RPM	3600
Potencia	9.0 HP
Luz de la Bujía	0.76mm (0.030")
Capacidad de Gasolina	26.5 Lt. (7 Gal.)
Aceite	SAE grado 30



Recomendaciones Generales

La garantía de la lavadora a alta presión no cubre las piezas que han sido sujetas a mal uso o negligencia por parte del operador. Para mantener la validez de la garantía, el operador deberá hacerle el mantenimiento a la lavadora de alta presión como se indica en este manual.

Algunas regulaciones/ajustes periódicos serán necesarias para el mantenimiento de la lavadora a alta presión.

Todas las regulaciones/ajustes en la Sección de Mantenimiento de este manual deberán llevarse a cabo por lo menos una vez por temporada.

Una vez al año se deberán limpiar o reemplazar la bujía y el filtro de aire y se deberán inspeccionar la pistola y el tubo aplicador para detectar puntos de desgaste. Una bujía y un filtro de aire limpios asegurarán una buena mezcla de aire y combustible y ayudarán a que el motor opere mejor y dure más.

NOTA: Con el transcurso del tiempo, los anillos "O" de la pistola rociadora se gastarán. Con la unidad se provee un juego de anillos "O" de repuesto que viene adherido al manual del operador.

Mantenimiento de la Lavadora de Presión

Inspeccionar y Cambiar la Malla de Entrada: Examinar la malla en el acople de entrada de la bomba. Limpiar si estuviese atorada, reemplazar si estuviese rota.

Inspeccionar la Manguera de Alta Presión: La manguera de alta presión puede desarrollar fugas debido al desgaste, estrangulamiento o maltrato. Inspeccionar la manguera antes de cada uso para detectar cortes, fugas, abrasiones, protuberancias en el forro, daños o juego de los acoples. Si existiese alguna de estas condiciones, reemplazar la manguera de inmediato.

Inspeccionar la Manguera de Suministro de Químico/Detergente: Examinar la manguera de químico/detergente y limpiarla si estuviese obstruida. La manguera debe quedar bien ajustada en el acople de la bomba. Inspeccionar para detectar fugas o roturas. Reemplazar el filtro o la manguera si alguno de ellos estuviese dañado.

Inspeccionar la Pistola/Tubo Aplicador: Examinar las conexiones de la manguera a la pistola para cerciorarse que estén bien asegurados. Probar el gatillo presionándolo para asegurarse que regrese a su posición cuando se suelte.

Aceite de la Bomba

El nivel del aceite de la bomba debe inspeccionarse antes de cada uso.

Cambio de Aceite de la Bomba

El aceite debe cambiarse después de las primeras 10 horas de operación. Posteriormente debe cambiarse cada 50 horas de operación. Para drenar el aceite, simplemente sacar el tapón de drenaje del aceite con una llave ajustable para tuercas. El tapón del aceite está en la parte inferior de la bomba. Desechar el aceite usado apropiadamente. Sacar la tapa de la toma de aceite y echar aceite grado 30 no detergente. Llenar hasta que el nivel llegue al punto medio en la mirilla de vidrio.

Purgar el Aire y los Contaminantes de la Bomba

Seguir estos pasos para eliminar el aire de la bomba:

- Preparar la lavadora de presión como se describe en la Sección de Ensamblaje y conectar el suministro de agua.
- Retirar la extensión del tubo aplicador de la pistola aplicadora.
- Tirar del gatillo en la pistola y mantenerlo presionado.

Seguir estos pasos para eliminar los contaminantes de la bomba:

- Preparar la lavadora de presión como se describe en la sección de ENSAMBLAJE, conectar el suministro de agua.
- Retirar la extensión del tubo aplicador de la pistola aplicadora.
- Arrancar el motor de acuerdo a las instrucciones en la sección de OPERACIÓN.

- Tirar del gatillo en la pistola y mantenerlo presionado.
- Soltar el gatillo y volver a instalar la extensión del tubo aplicador cuando el suministro de agua esté constante y parejo.

Mantenimiento del Motor

Aceite

- El nivel del aceite deberá inspeccionarse antes de cada uso de la lavadora o por lo menos cada 5 horas de operación. Referirse a la sección "Aceite del Motor" en la página 9.

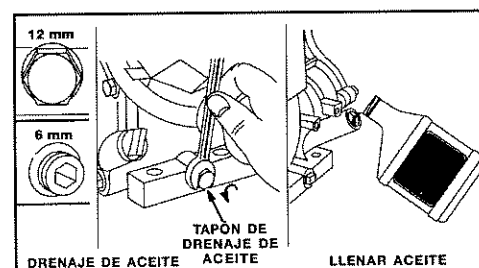
Cambio de Aceite del Motor

En motores nuevos cambiar el aceite después de las primeras **5 horas de operación**. Posteriormente debe cambiarse cada **50 horas** de operación.

Cambiar el aceite cuando el motor todavía esté caliente. El aceite fluirá con mayor facilidad y arrastrará más impurezas consigo. Cerciorarse que el motor esté nivelado al llenar, medir o cambiar el aceite.

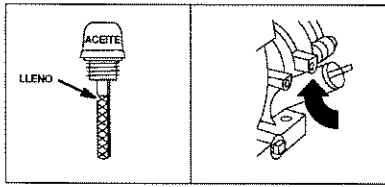
Cambiar el aceite de la siguiente forma:

- Antes de sacar la tapa con varilla medidora de la toma de aceite, limpiar la suciedad, pasto y todo cuerpo extraño de alrededor.
- Sacar el tapón de drenaje y la tapa con varilla medidora de la toma de aceite. Inclinar el motor hacia el lado del drenaje para obtener un mejor drenaje. Cerciorarse de permitir tiempo suficiente para lograr un drenaje completo



- Volver a instalar el tapón de drenaje y cerciorarse que quede bien ajustado.
- Llenar el cárter con aceite nuevo del tipo adecuado hasta que marque "FULL" (Lleno) en la varilla medidora. Siempre medir el nivel del aceite con la varilla medidora antes de agregar más aceite.

- Volver a instalar la tapa con varilla medidora en la toma de aceite.



Mantenimiento del Filtro de Aire

NOTA: No usar solventes de petróleo como por ejemplo kerosene porque el cartucho se puede dañar. No usar aire presurizado para limpiar el cartucho. El aire presurizado puede dañar el cartucho.

Para limpiar el filtro de aire seguir estos pasos:

1. Desenroscar los pernos que sujetan la cubierta. Sacar la cubierta y el conjunto de filtros.
2. Sacar el cartucho de la cubierta, luego el retén (si lo tuviese) y el prefiltro.

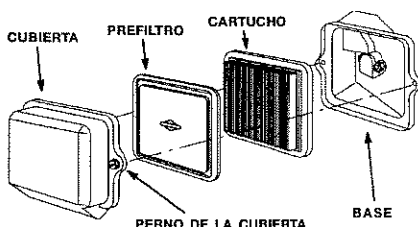
Para limpiar el cartucho, lavarlo en una solución de detergente con agua. Permitir que seque completamente antes de volverlo a usar. No aceitar el cartucho. Reemplazarlo si estuviese muy sucio o dañado.

Para limpiar el prefiltro, lavarlo en una solución de detergente con agua. Para secarlo envolverlo con un paño seco y limpio, y estrujarlo. Saturarlo con aceite para motor. Para eliminar el exceso de aceite, volverlo a estrujar envuelto en un paño absorbente. Reemplazarlo si estuviese muy sucio o dañado.

Para limpiar el cartucho, golpearlo levemente sobre una superficie plana. No aceitar el cartucho. Reemplazarlo si estuviese muy sucio o dañado.

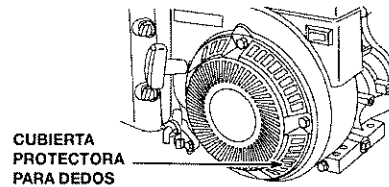
NOTA: No usar solventes de petróleo como por ejemplo kerosene porque el cartucho se puede dañar. No usar aire presurizado para limpiar el cartucho. El aire presurizado puede dañar el cartucho.

3. Volver a ensamblar el prefiltro y el retén (si lo tuviese). Colocarlos dentro de la cubierta con el lado de la malla hacia el cartucho. Colocar el cartucho en el retén en la cubierta.
4. Instalar la cubierta y el conjunto de filtros bien alineados sobre la base (si estuviese equipado con pestañas, éstas deben encajar en las ranuras) y sujetarlo firmemente. Ajustar los pernos de la cubierta en forma segura.

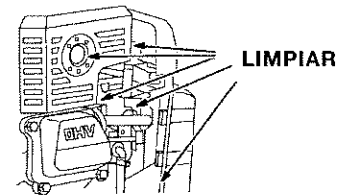


¡Mantener limpias las piezas y el motor!

- No limpiar el motor con un chorro de agua fuerte porque el agua podría contaminar el sistema de combustible. Después de cada uso, con una brocha o cepillo limpiar el protector con aberturas de ventilación para evitar que el motor se dañe por sobrecalentamiento.

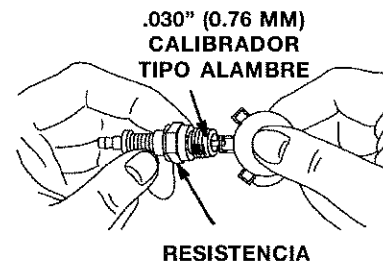


- Antes de operar el motor, limpiar el área del mofle para eliminar el pasto y los residuos que puedan ser combustibles.



Limpiar y Reemplazar la Bujía

Reemplazar la bujía cada 100 horas de operación o una vez cada año, lo que ocurra primero. Esto ayudará a que el motor arranque con facilidad y opere mejor.



MANTENIMIENTO Y REGULACIONES

Carburador

El carburador de la lavadora de alta presión está regulado de fábrica. El carburador no deberá alterarse. Si la lavadora de presión se usa a una altitud superior a 1,500 metros (5,000'), consultar con el Centro de Servicio de Sears más cercano para obtener las regulaciones necesarias para la altitud.

▲ **CUIDADO:** La velocidad del motor se fijó en la fábrica a un punto apropiado y no debe requerir regulaciones adicionales. No intentar alterar la velocidad del motor. En caso que se sospeche que el motor está operando muy lento o muy rápido, llevar la lavadora de presión a un Centro de Servicio Autorizado de Sears para que lo reparen o regulen.

▲ **ADVERTENCIA:** Las velocidades elevadas de operación son peligrosas y aumentan el riesgo de daños personales o al equipo.

▲ **CUIDADO:** Las bajas velocidades del motor imponen una carga pesada al motor, y cuando el motor no provee la potencia necesaria, la vida útil del motor podría acortarse.

Mantenimiento de la Boquilla: Tubo Aplicador Dual

1. Apagar la lavadora a presión y cerrar el suministro de agua.
2. Desconectar el cable de la bujía.
3. Tirar del gatillo de la pistola aplicadora para aliviar toda la presión de agua acumulada.
4. Desconectar el tubo aplicador de la pistola.
5. Sacar la boquilla del extremo del tubo aplicador. Eliminar cualquier obstrucción usando la herramienta limpiadora de boquillas provista y pasar agua limpia al reverso por el tubo.
6. Para eliminar las partículas sueltas, por 30 segundos dirigir el chorro del suministro de agua directamente al extremo de la boquilla en dirección opuesta al flujo normal.
7. Volver a instalar la boquilla en el tubo aplicador usando cinta de Teflón para evitar fugas y ajustar firmemente.
8. Volver a instalar el tubo aplicador en la pistola y abrir el suministro de agua.
9. Arrancar la lavadora a presión y probar haciéndola funcionar en presión alta.

ALMACENAMIENTO

Esta lavadora de presión debe almacenarse de tal forma que esté protegida de la congelación. No almacenar la unidad en el exterior ni en un área donde la temperatura caiga por debajo de 0°C (32°F). Esto puede causar daños extensos a la unidad.

Si la unidad tiene que almacenarse en lugares de temperaturas congelantes, se deberá usar un anticongelante no tóxico R.V. para protegerla de la congelación.

Preparación de la Unidad para su Almacenamiento

NOTA: Si no se tiene planeado usar la lavadora de presión por 30 días o más, debe prepararse la unidad para su almacenamiento.

Preparación del Motor

- Primero agregarle estabilizador de combustible al tanque de gasolina.
- Hacer funcionar la lavadora por 5 minutos completos para permitir que el estabilizador de combustible entre a todo el sistema de combustión.

NOTA: Mientras se lleve a cabo este procedimiento, cerciorarse que la bomba tenga su suministro de agua y que el agua salga de la unidad. **NUNCA** permitir que la unidad funcione sin que corra agua por la bomba.

- A continuación, apagar el motor y desconectar el suministro de agua.
- Desconectar el cable de la bujía y sacar la bujía.
- Echar una cucharadita de aceite en el orificio de la bujía.
- Taponar el orificio con un paño y tirar de la manija de la cuerda del arrancador varias veces para lubricar la cámara de combustión.
- Volver a colocar la bujía, pero no conectar el cable de la bujía.

Preparación de la Bomba

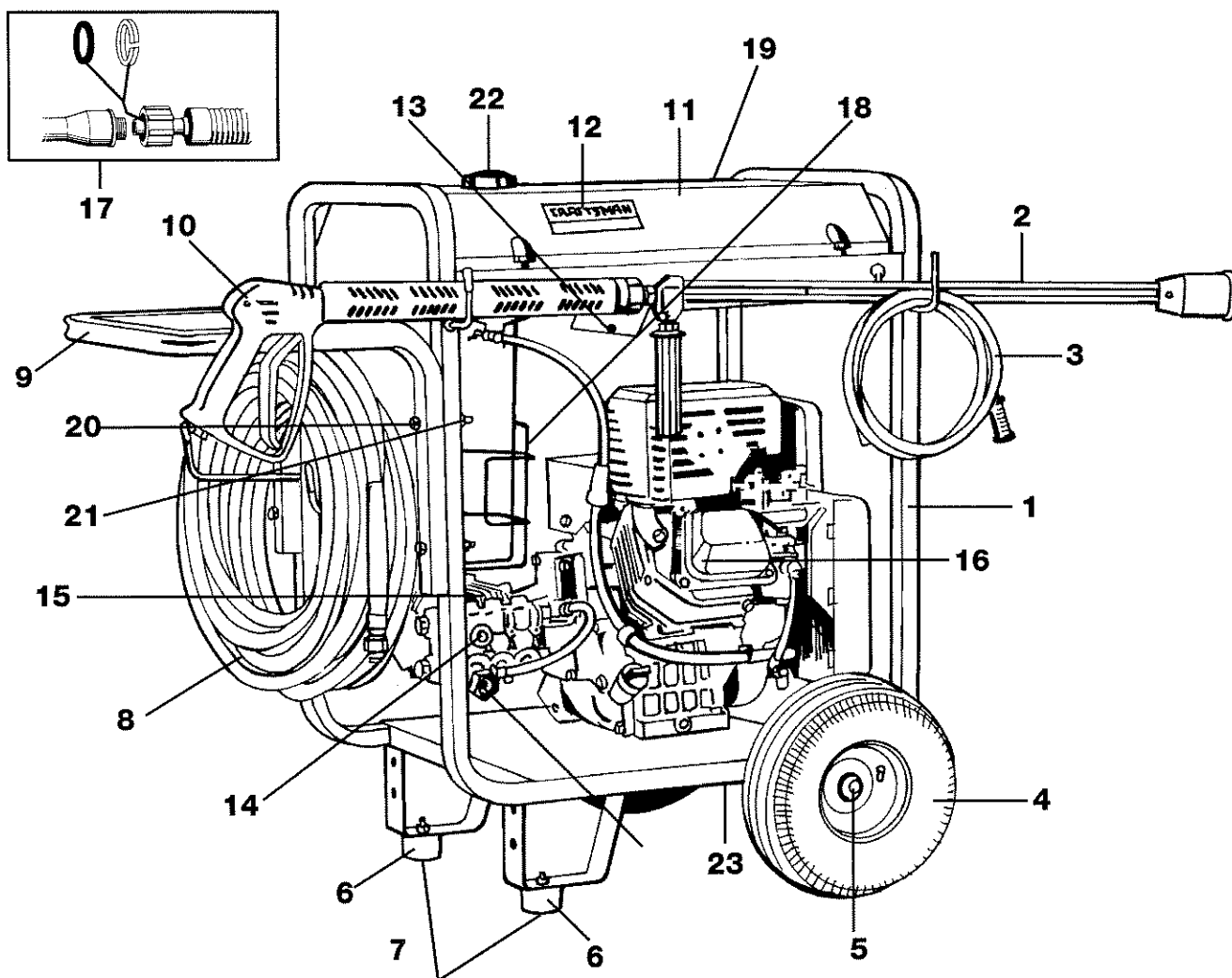
- Cerciorarse de poner el interruptor en la posición de "OFF" (apagado) y que el cable de la bujía esté desconectado.
- Apretar el gatillo de la pistola para aliviar la presión de la manguera de presión. Desconectar la manguera de alta presión y la manguera de jardín de la unidad.
- Tirar de la manija del arrancador 4 a 6 veces para descargar el agua remanente en la bomba.
- Inclinar la unidad con el orificio de entrada de agua apuntando hacia arriba.
- Echar aproximadamente 1/4 de taza de anticongelante no tóxico R.V. por el orificio donde se conecta la manguera de agua a la bomba.
- Poner la máquina al derecho y tirar de la manija del arrancador de 4 a 6 veces para hacer circular el anticongelante dentro de la bomba hasta que expulse un poco.

GUÍA PARA DIAGNÓSTICO DE PROBLEMAS

SÍNTOMA	CAUSA	SOLUCIÓN
El motor no arranca	<ol style="list-style-type: none"> 1. La palanquita de aceleración del motor está en la posición "OFF" (APAGADO). 2. La válvula de "Choke" (cebado) no está en la posición de "Choke". 3. Acumulación de presión después del uso inicial. 	<ol style="list-style-type: none"> 1. Deslizar la palanquita de aceleración a la posición de "RUN" (OPERACIÓN). 2. Deslizar la palanquita a la posición de "Choke". 3. Presionar el gatillo de la pistola.
No absorbe químico	<ol style="list-style-type: none"> 1. La boquilla de la pistola no está en la posición de absorber. 2. La malla de succión de químicos está obstruida. 3. La succión de químicos no está trabajando. 4. El orificio del inyector de químicos está obstruido. 5. Inyector de detergente/químicos cerrado. 	<ol style="list-style-type: none"> 1. Colocar la boquilla en la posición para baja presión. 2. Inspeccionar la malla de químicos, limpiar si estuviere obstruida. 3. Cerciorarse que el extremo del tubo de succión de químicos esté sumergido. 4. Inspeccionar y limpiar. 5. Abrir el inyector de químicos girando la perilla de regulación.
La bomba funciona normalmente pero la presión no alcanza los niveles especificados.	<ol style="list-style-type: none"> 1. Suministro de agua restringido. 2. Boquilla en la posición de baja presión. 3. Boquilla incorrecta o gastada. 4. La bomba absorbe aire. 5. Boquilla obstruida. 	<ol style="list-style-type: none"> 1. Verificar el suministro de agua y la malla del filtro para detectar cualquier bloqueo. Inspeccionar las mangueras para detectar si hay bloqueos, estrangulaciones, fugas, etc. 2. Girar la perilla en el sentido del reloj para lograr la presión alta. 3. Revisar y reemplazar. 4. Cerciorarse que las mangueras y acoples no tengan fugas de aire. 5. Limpiar la boquilla.
Presión Fluctuante	<ol style="list-style-type: none"> 1. La bomba absorbe aire. 2. La malla de la entrada de la manguera del jardín está obstruida. 3. Sellos o empaques gastados. 4. Suministro de agua inadecuado. 5. Válvulas de entrada o descarga sucias o gastadas. 6. Fugas en la manguera de descarga. 	<ol style="list-style-type: none"> 1. Verificar que las mangueras y acoples no tengan fugas de aire. Purgar el aire de la manguera de jardín. 2. Limpiar. Inspeccionar el filtro con frecuencia. 3. Inspeccionar y reemplazar. 4. Inspeccionar la manguera para ver que no esté estrangulada o acodada. 5. Verificar que el flujo de suministro a la bomba sea el adecuado. Asegurarse que la temperatura no exceda (63°C/145°F). 6. Limpiar las válvulas de entrada y descarga. Reemplazar si fuese necesario.
La presión cae después de un periodo normal de uso	<ol style="list-style-type: none"> 1. Boquilla atorada, o parcialmente obstruida. 2. Boquilla gastada. 3. Válvulas de la bomba están gastadas, sucias o pegadas. 4. Empaque del pistón de la bomba está gastado. 	<ol style="list-style-type: none"> 1. Usar el juego para limpieza de boquillas para eliminar la obstrucción. (Referirse a la sección Mantenimiento de Boquillas en el capítulo Servicio y Regulaciones) 2. Limpiar o reemplazar. 3. Revisar y reemplazar. 4. Revisar y reemplazar.
Bomba ruidosa	<ol style="list-style-type: none"> 1. Agua muy caliente. 2. Bomba absorbe aire. 3. Válvulas sucias o gastadas. 4. Rodamientos gastados. 	<ol style="list-style-type: none"> 1. Reducir la temperatura por debajo de 63°C ó 145°F. 2. Verificar que las mangueras y acoples no tengan fugas de aire. 3. Revisar, limpiar o reemplazar. 4. Revisar y reemplazar si fuese necesario.
Presencia de Agua en el Aceite (Aceite lechoso)	<ol style="list-style-type: none"> 1. Alta humedad. 2. Empaque del pistón y sellos de aceites gastados. 	<ol style="list-style-type: none"> 1. Cambiar el aceite. 2. Revisar y reemplazar los sellos de aceite.
Agua Goteando de la Bomba	<ol style="list-style-type: none"> 1. Válvula térmica de alivio funcionando normalmente 2. Acoples flojos. 3. Anillos "O" de la guía del pistón o retenes gastados. 4. Empaque del pistón gastado. 	<ol style="list-style-type: none"> 1. Está protegiendo la bomba si la lavadora está funcionando por un tiempo largo pero sin usarse, Apagar el motor. 2. Ajustar. 3. Revisar y reemplazar. 4. Revisar y reemplazar.
Goteo de Aceite	<ol style="list-style-type: none"> 1. Sello de aceite gastado. 2. Tapón de drenaje flojo o anillo "O" del tapón gastado. 	<ol style="list-style-type: none"> 1. Revisar y reemplazar. 2. Ajustar el tapón de drenaje o reemplazar el anillo "O". No sobreajustar.

PARTES

CRAFTSMAN 3000 PSI MAQUINA LAVADORA DE ALTA PRESION 919.763010

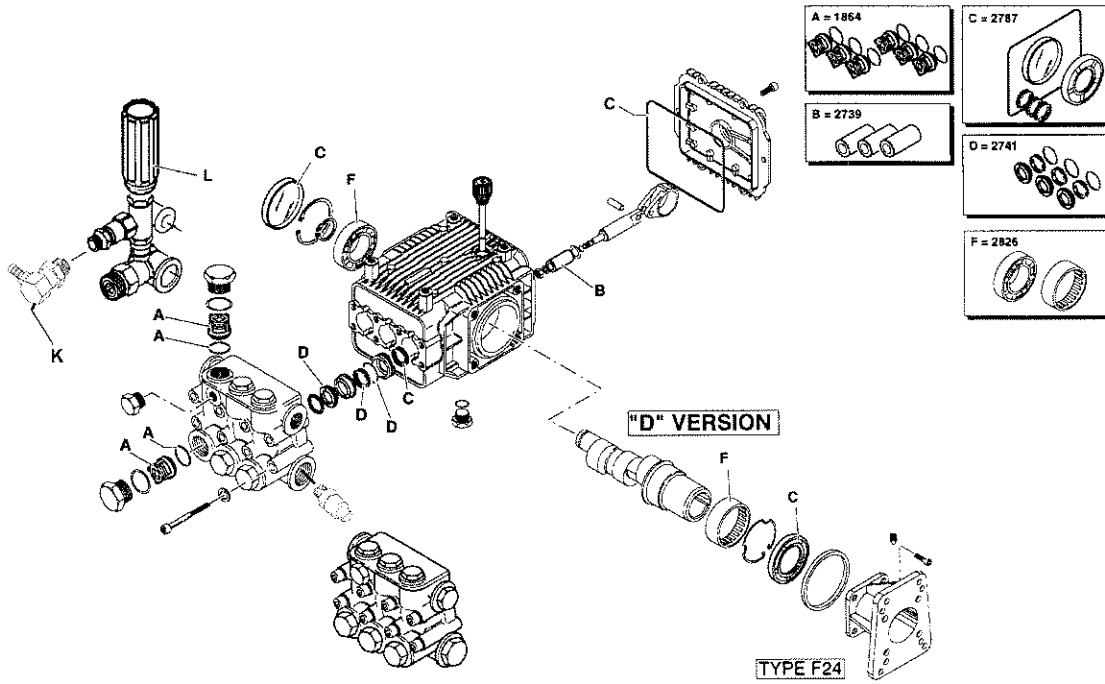
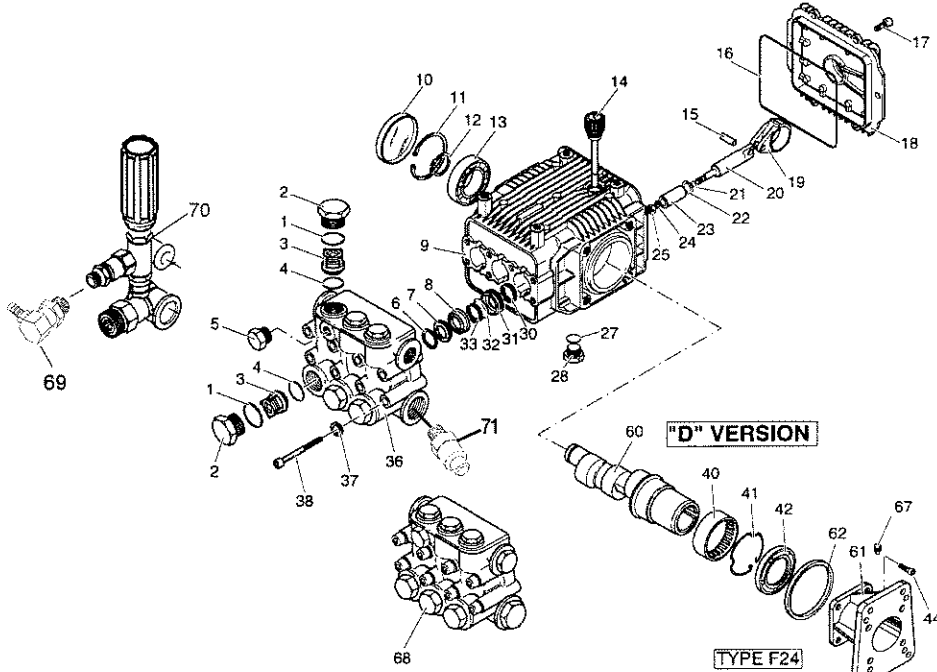


**PARA LISTE DE PARTES
VEA LA PAGINA 16
VERSION EN INGLES**

PARTES

CRAFTSMAN 3000 PSI MAQUINA LAVADORA DE ALTA PRESION 919.763010

BOMBA PARTES # PK16803



**PARA LISTE DE PARTES
VEA LA PAGINA 18
VERSION EN INGLES**

**PARA LISTE DE PARTES
VEA LA PAGINA 19-30
VERSION EN INGLES**

Para solicitar servicio de reparación o repuestos que usted necesite, llamar de 7 am a 7 pm, los 7 días de la semana al

1-800-366-PART

(1-800-366-7278)



Para servicio de reparación en su domicilio de electrodomésticos de las principales marcas, llamar las 24 horas del día, los 7 días de la semana al

1-800-4-REPAIR

(1-800-473-7247)



Para la ubicación del Centro de Repuestos y Reparación de Sears en su área, llamar las 24 horas del día, los 7 días de la semana al

1-800-488-1222



Para información sobre la compra de un Contrato de Mantenimiento de Sears o para averiguar sobre algún Contrato existente, llamar de 9 am a 5 pm, de Lunes a Sábado al

1-800-827-6655



SEARS
REPAIR SERVICES
America's Repair Specialists